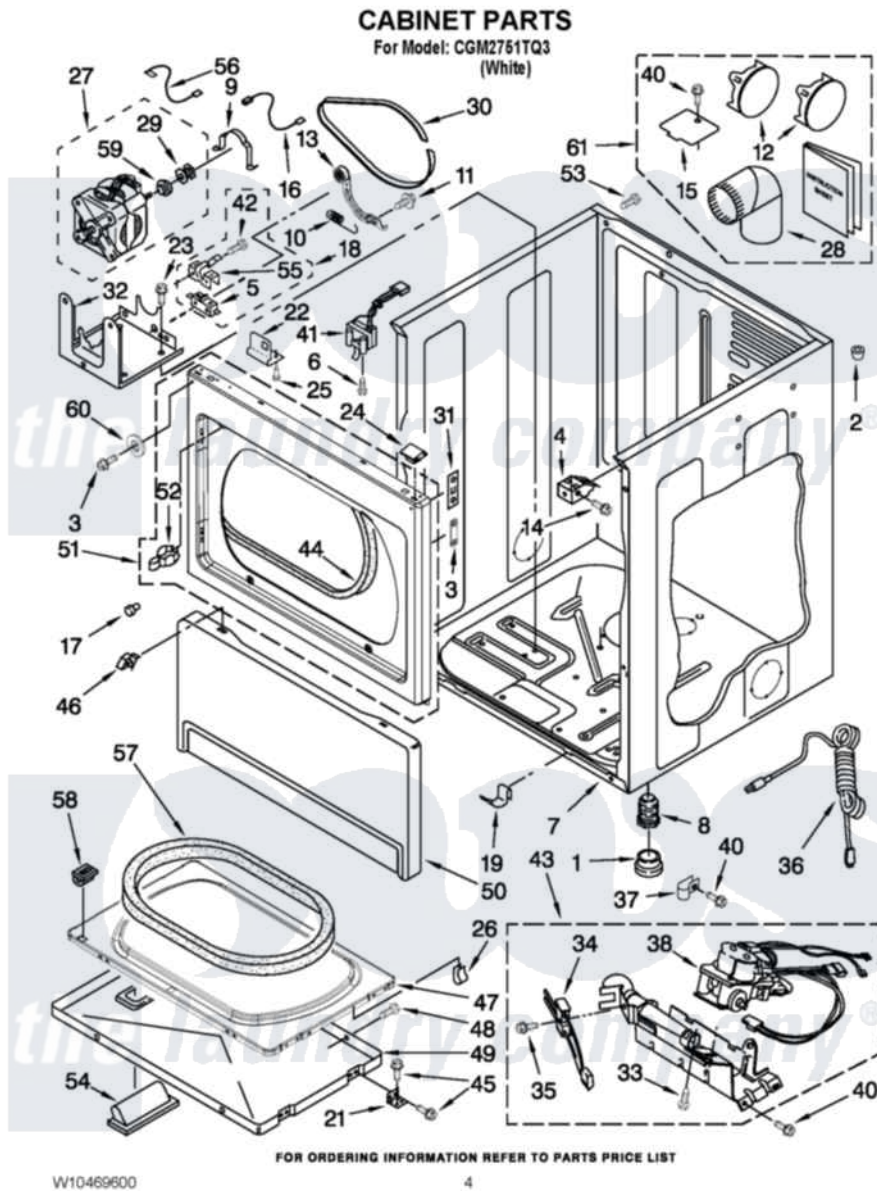


# Whirlpool CGM2751TQ3 02 - CABINET PARTS



Whirlpool [Commercial Whirlpool CGM2751TQ3 Dryer Parts](#) Parts Diagram 02 - CABINET PARTS  
Click on the part number to view part

Item	Original Part Number	Replaced By	Status	Part Description
1	<a href="#">3391943</a>			Boot, Foot
2	<a href="#">356674</a>			Cone, Wedge
3	<a href="#">W10191265</a>			Plug, Hinge Screw Front Panel
4	<a href="#">3391846</a>			Clip, Front Panel
5	3394881	<a href="#">279782</a>		Switch-Lid
6	697773	<a href="#">3395530</a>		Screw
7	<a href="#">8310656</a>			Cabinet
8	3392100	<a href="#">49621</a>		Feet-Leveling
NI	<a href="#">279810</a>			Foot-Optional
9	<a href="#">660658</a>			Clamp, Motor Mounting 343481 685441
10	<a href="#">3387374</a>			Spring, Idler
11	<a href="#">3389420</a>			Retainer-Idler 1/4-20 X 1/16
12	697750	<a href="#">W10470674</a>		Dryer Exhaust Kit
13	<a href="#">W10344193</a>			Pulley-Idler Assembly
14	3391915	<a href="#">681615</a>		Screw
15	<a href="#">3394331</a>			Plate Cover

16	<a href="#">W10167612</a>		Wire, Broken Belt Switch
17	<a href="#">693152</a>		Bumper, Console
18	8066134	<a href="#">279782</a>	Switch-Lid
19	<a href="#">W10291934</a>		Clip
21	<a href="#">W10279703</a>		Hinge And Pin Assembly
22	<a href="#">3353948</a>		Bracket, Lock
23	3390663	<a href="#">681414</a>	Screw, 10AB X 1/2
24	<a href="#">345670</a>		Lock, Top
25	<a href="#">63554</a>		Rivet
26	<a href="#">3389249</a>		Nut, Inner Door
27	8538264	<a href="#">W10438970</a>	Motor-Drve
28	279731	<a href="#">49026</a>	4" - 90° Elbow
29	3394341	<a href="#">W10299847</a>	Pulley-Motor
30	3387610	<a href="#">661570</a>	Belt
31	<a href="#">3390902</a>		Clip, Door Hinge
32	<a href="#">3387118</a>		Bracket, Motor
33	<a href="#">3387057</a>		Screw, 10-16 X 1/2 Orifice, Burner
34	686590	<a href="#">279311</a>	Ignitor
35	<a href="#">3393909</a>		Screw, 8-32 X 7/8
36	W10440461	<a href="#">3401402</a>	Cord, Power
37	<a href="#">3387561</a>		Clamp-Pipe
38	W10304604	<a href="#">W10500695</a>	Valve-Gas
40	3390647	<a href="#">488729</a>	Screw
41	3406109	<a href="#">3406107</a>	Door Switch Assembly
42	<a href="#">98129</a>		Screw, 6-20 X 1 1/16
43	W10466240	Not Available	BURNER ASSEMBLY 60 HZ. (REFER TO PAGES 8 & 9 FOR FURTHER BREAKDOWN)
44	<a href="#">3387242</a>		Seal, Front Panel
45	342055	<a href="#">488627</a>	Screw
46	<a href="#">3388229</a>		Retainer, Toe Panel
47	<a href="#">W10323061</a>		Door, Rear
48	<a href="#">694091</a>		Trim, Side Right Hand
49	<a href="#">W10322546</a>		Door, Front
50	697215	<a href="#">3406797</a>	Toe Panel
51	W10192882	<a href="#">W10242810</a>	Panel
52	696144	<a href="#">279570</a>	Latch
53	8533974	<a href="#">4331106</a>	Screw, No.10-32 X 7/16
54	<a href="#">3389522</a>		Handle, Door
55	<a href="#">8066120</a>		Lever, Door Switch
56	<a href="#">3398948</a>		Wire, Jumper
57	<a href="#">3390735</a>		Seal, Door
58	3392538	<a href="#">279570</a>	Latch
59	<a href="#">3393657</a>		Restrainer, Belt
60	3392186	<a href="#">4159590</a>	Washer
NI	279818	<a href="#">W10470674</a>	Dryer Exhaust Kit