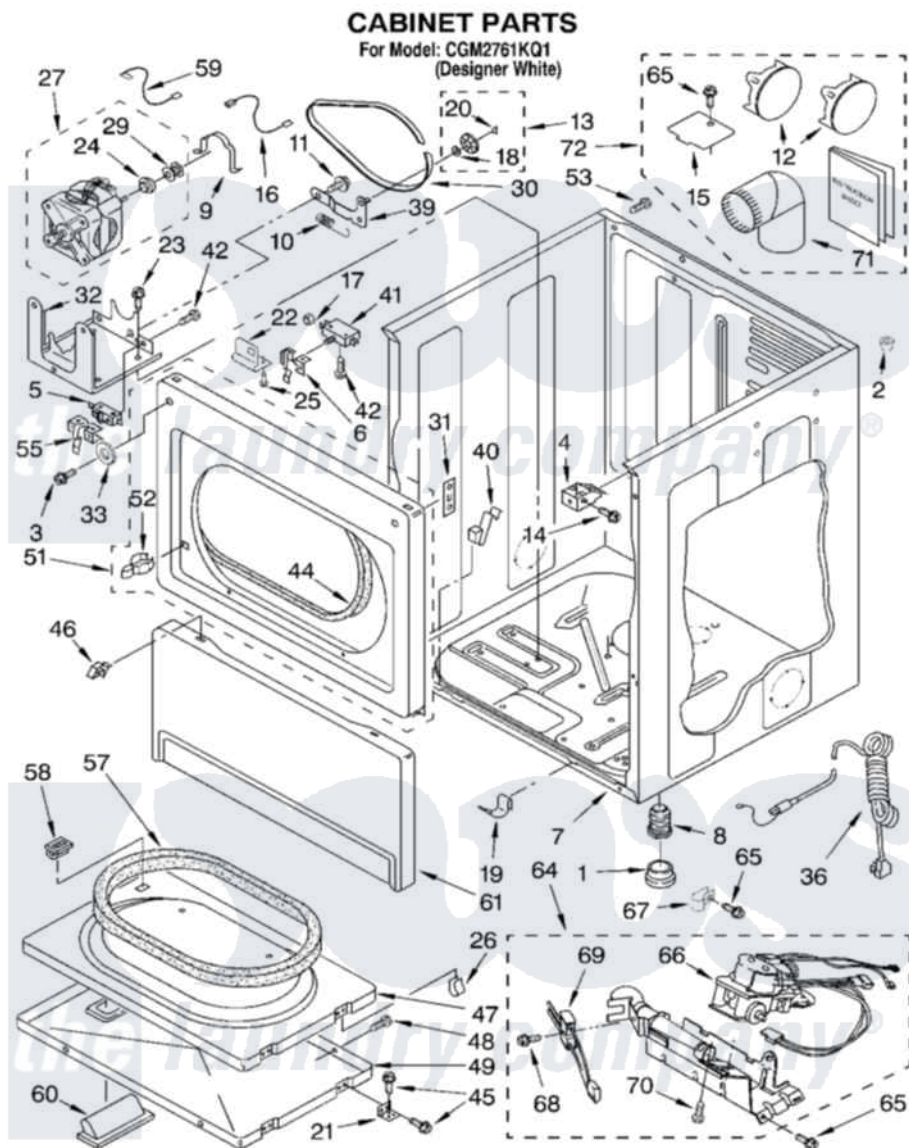


Whirlpool CGM2761KQ1 03 - CABINET



8528103

4

Whirlpool [Commercial Whirlpool CGM2761KQ1 Dryer Parts](#) Parts Diagram 03 - CABINET

[Click on the part number to view part](#)

Item	Original Part Number	Replaced By	Status	Part Description
1	3391943			Boot, Foot
2	356674			Cone, Wedge
3	3393258	3373329D		Screw
4	3391846			Clip, Front Panel
5	3394881	279782		Switch-Lid
6	691581			Lever, Door Switch
7	8310656			Cabinet
8	3392100	49621		Feet-Leveling
"	279810			Foot-Optional
9	660658			Clamp, Motor Mounting 343481 685441
10	3387374			Spring, Idler
11	3389420			Retainer-Idler 1/4-20 X 1/16
12	697750	W10470674		Dryer Exhaust Kit
13	3388672	279640		Pulley-ldr
14	3391915	681615		Screw
15	3394331			Plate Cover

16	3394081		Wire, Broken Belt Switch
17	90406		Cage Nut, 5/16-18
18	233520		Washer, Thrust
19	297092		Clip
20	690997		Washer, Thrust
21	3389247		Hinge And Pin Assembly
22	3353948		Bracket, Lock
23	3390663	681414	Screw, 10AB X 1/2
24	3393657		Restrainer, Belt
25	63554		Rivet
26	3389249		Nut, Inner Door
27	661656	W10438970	Motor-Drve
29	3389627	W10299847	Pulley-Motor
30	3387610	661570	Belt
31	3390902		Clip, Door Hinge
32	3387118		Bracket, Motor
33	3392186	4159590	Washer
36	3401401	3401402	Cord, Power
39	3388674	W10118756	Idler Bracket
40	3388600		Clip, Lint Duct
41	347207	279347	Switch-Lid
42	98129		Screw, 6-20 X 1 1/16
44	3387242		Seal, Front Panel
45	342055	488627	Screw
46	3388229		Retainer, Toe Panel
47	3392563	280083	Door-Rear
48	694091		Trim, Side Right Hand
49	3387872		Door, Front
51	3393081	279722	Panel
52	696144	279570	Latch
53	697776	4331106	Screw, No.10-32 X 7/16
55	3391408	8066120	Lever, Door Switch
57	3390735		Seal, Door
58	3392538	279570	Latch
59	3398948		Wire, Jumper
60	3389522		Handle, Door
61	697215	3406797	Toe Panel
64	3401797	285904	Burner-Gas
65	3390647	488729	Screw
66	3401775	279923	NAT Gas
67	3387561		Clamp-Pipe
68	3393909		Screw, 8-32 X 7/8
69	686590	279311	Ignitor
70	3387057		Screw, 10-16 X 1/2 Orifice, Burner
71	279731	49026	4" - 90° Elbow
72	279818	W10470674	Dryer Exhaust Kit