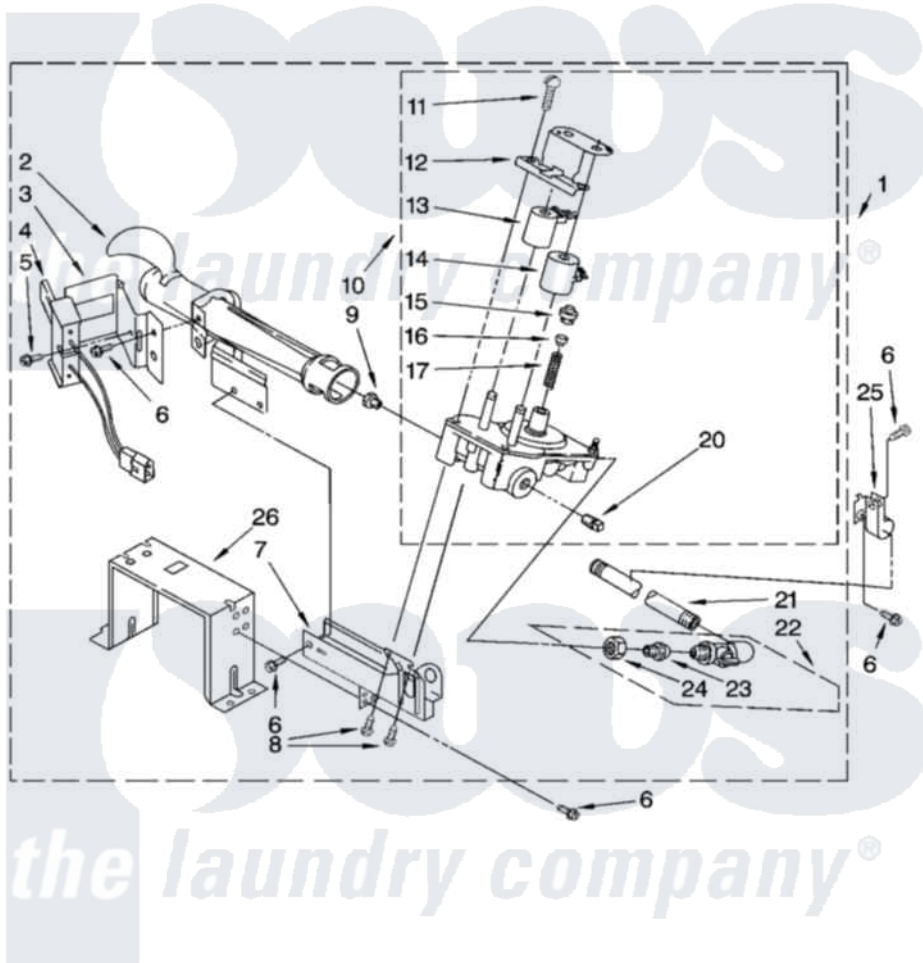


Whirlpool CGM2761TQ0 04 - 3401797 BURNER ASSEMBLY, OPTIONAL PARTS (NOT INCLUDED)

3401797 BURNER ASSEMBLY

For Model: CGM2761TQ0, CGM2761TQ1
(White) (White)



W10119632

8

Whirlpool [Commercial Whirlpool CGM2761TQ0 Dryer Parts](#) Parts Diagram 04 - 3401797 BURNER ASSEMBLY, OPTIONAL PARTS (NOT INCLUDED).
Click on the part number to view part

| Item | Original Part Number | Replaced By | Status | Part Description |
|------|-------------------------|------------------------|---------------|------------------------------------|
| 1 | 3401797 | 285904 | | Burner-Gas |
| 2 | 688617 | 693140 | | Burner |
| 3 | 694298 | | | Bracket, Ignitor |
| 4 | 686590 | 279311 | | Ignitor |
| 5 | 3393909 | | | Screw, 8-32 X 7/8 |
| 6 | 343641 | 681414 | | Screw, 10AB X 1/2 |
| 7 | 3389871 | | Not Available | Base, Burner |
| 8 | 3387057 | | | Screw, 10-16 X 1/2 Orifice, Burner |
| 9 | 3397656 | | | Orifice, Burner |
| " | 15775 | 72017 | | Paint, Touch-Up |
| 10 | 3401775 | 279923 | | NAT Gas |
| 11 | 694421 | | | Screw, Bracket Mounting |
| 12 | 694538 | | | Bracket, Shunt |
| 13 | 694540 | | | Coil, 60 Hz |

| | | | |
|----|-------------------------|---------------------------|---------------------------------|
| 14 | 694539 | | Coil, 60 Hz |
| 15 | 694424 | | Leak, Limiter |
| 16 | 694423 | | Screw, Regulator Adjustment |
| 17 | 694422 | | Spring, Regulator |
| 20 | 239822 | W10295523 | Plug, Pipe |
| 21 | 3387224 | Not Available | Pipe, Gas Supply |
| 22 | 697441 | | Valve And Union Shut-Off |
| 23 | 3393767 | | Pipe, Tail |
| 24 | 233076 | | Nut, Compression |
| 25 | 3387561 | | Clamp-Pipe |
| 26 | 3389889 | | Bracket, Support |
| | BLANK | Not Available | Following Parts Not Illustrated |
| " | 694572 | 49572A | Conversion Kit To Type L.p.g.f |
| " | BLANK | Not Available | ACCESSORY PARTS |
| " | 4392067 | | Kit, Dryer Repair |
| " | 8522199 | | Accessory Parts |
| " | 72017 | | Paint, Touch-Up |
| " | 350930 | | Paint, Pressurized Spray B |
| " | 350938 | | Paint, Pressurized Spray B |
| " | 799344 | | Paint, Touch-Up) |

