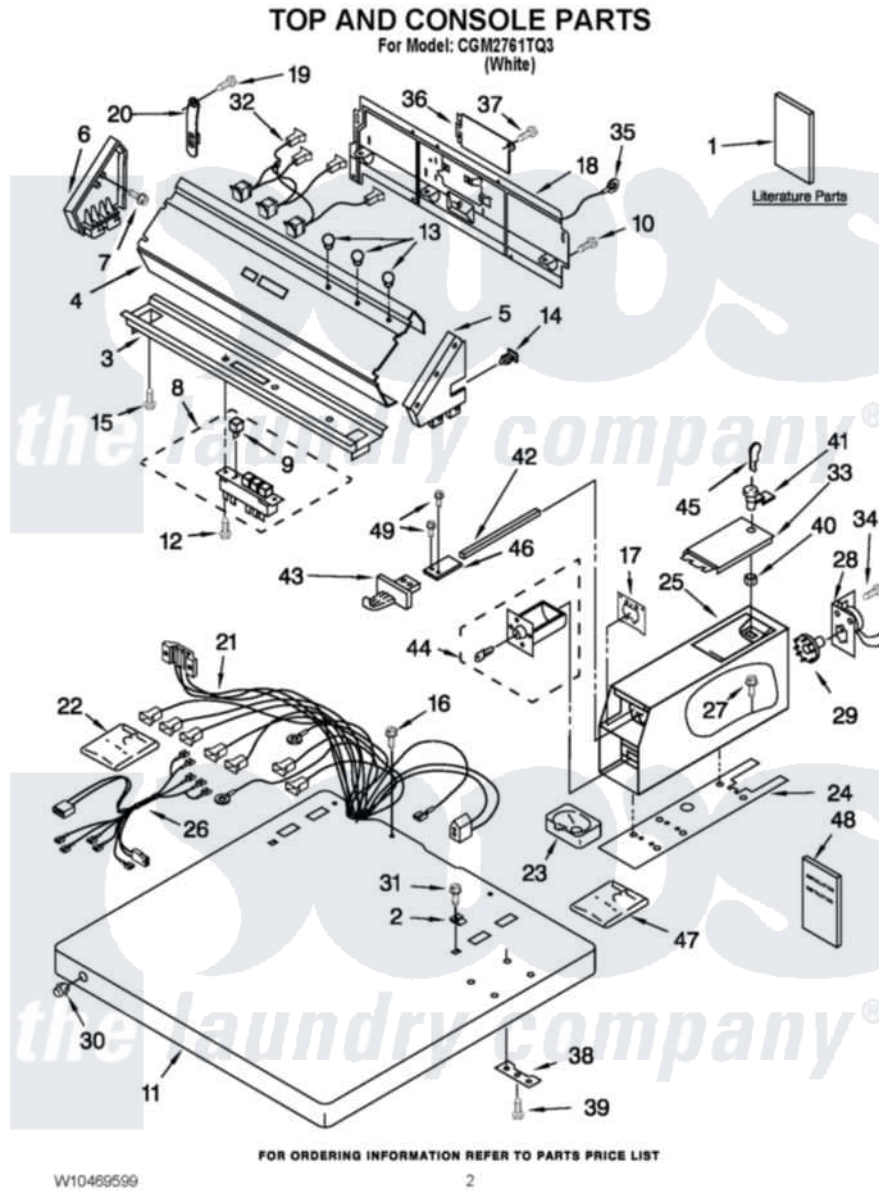


Whirlpool CGM2761TQ3 01 - TOP AND CONSOLE PARTS



Whirlpool [Commercial Whirlpool CGM2761TQ3 Dryer Parts](#) Parts Diagram 01 - TOP AND CONSOLE PARTS
Click on the part number to view part

Item	Original Part Number	Replaced By	Status	Part Description
1	W10184582		Not Available	Instructions, Installation
"	8533569			Wiring Diagram
"	W10469599		Not Available	REPAIR PARTS LIST
2	357213			Nut, Push-In
3	3361029			Bracket, Control
4	8316634			Panel, Control
5	8316516	W10096340		Cap, End
6	3949734	W10096320		Cap, End
7	97787	W10109200		Screw, Baffle Mounting
8	W10330137			Switch, Pushbutton
9	8316433			Pushbutton
10	693995			Screw, Hex Head
11	3954665			Top
12	303921	489128		Screw, 8-32 X 27/64
13	3348109			Lens Light
14	689559			Nut, Push-In

15	8533971	90767	Screw, 8A X 3/8 HeX Washer Head Tapping
16	343641	681414	Screw, 10AB X 1/2
17	3954761	279950	Funnel
18	3978608		Panel, Rear
19	3390647	488729	Screw
20	8568314		Strap, Console
21	8529870		Harness, Main
22	3954807		Kit, Vertical 8-Coin Coin Mechanism Parts, May be Ordered From Whirlpool Or The Vend
23	385421		Funnel, Coin
24	3954812		Cushion, Meter Case
25	3406994		Case, Meter
26	3401126		Harness, Timer
27	3349065		Bolt, Meter Case Mounting
28	W10045440		Timer
29	3387974		Timing Cam
"	343777		Timing Cam
30	387371		Lock, Plug Also Available
31	8281182		Screw, 8-18 X 1 1/4
32	8316640		Lights, Indicator Assembly
33	3351136		Service Door Assembly
34	339805		Screw, 10-32 X 3/16
35	W10110977		Wire, Ground
36	8317340		Cover, Terminal Block
37	3390814	90767	Screw, 8A X 3/8 HeX Washer Head Tapping
38	3347825	3353813	Plate, Mounting
39	98445		Screw, 10-16 X 3/4
40	90406		Cage Nut, 5/16-18
41	8316526	4396668	Lock-Cam
42	8318517	8576635	Bolt
43	8316520		Slide Mechanism Inserts
NI	8316264	4396666	Insert
"	8316265	4396667	Insert
44	8316525	4396671	Box
45	N/P	Not Available	KEY (SERVICE DOOR) (WHEN ORDERING SPECIFY VENDOR AND KEY NUMBER)
46	8316523		Extension
47	8316524	4396670	Kit
48	8316532		Installation Instructions Coin Kit
49	3400029		Nut, Adapter Plate