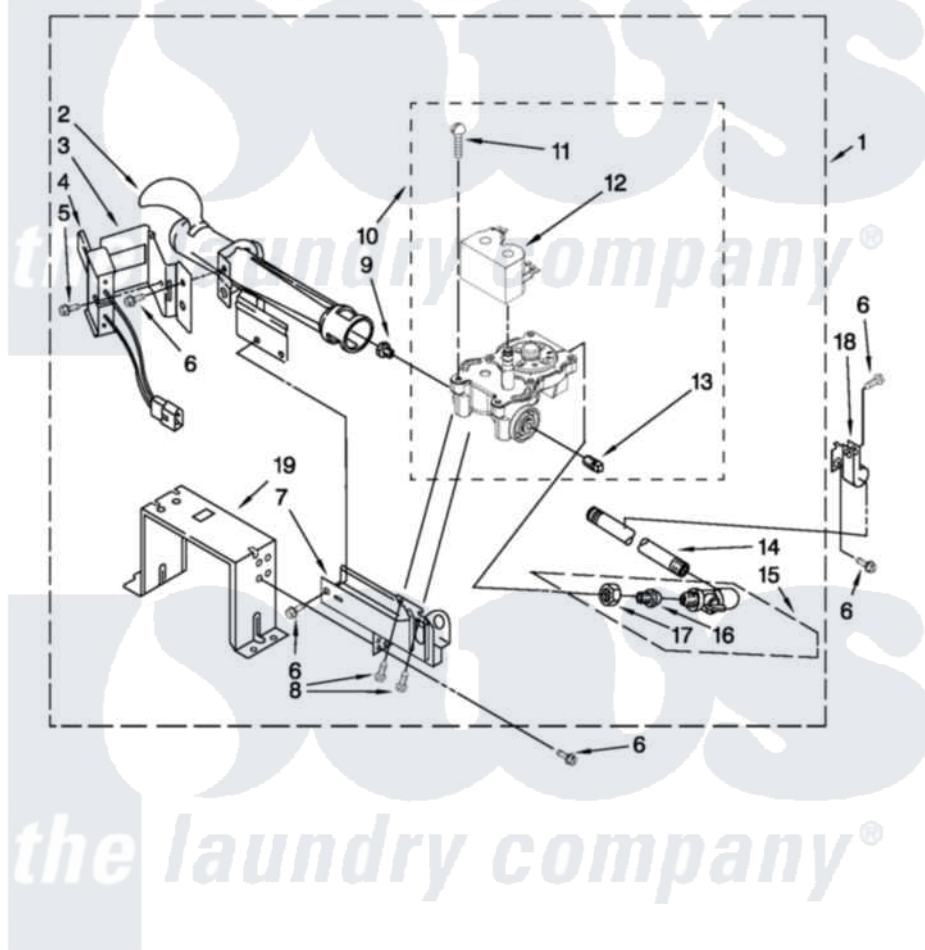


Whirlpool CGM2761TQ3 04 - BURNER ASSEMBLY

BURNER ASSEMBLY

For Model: CGM2761TQ3
(White)

USE WITH TYPE 1 - NATURAL, TYPE 2 - MIXED,
AND TYPE 4 - LIQUEFIED PROPANE AND BUTANE GASES



FOR ORDERING INFORMATION REFER TO PARTS PRICE LIST

W10466240

8

[Whirlpool Commercial Whirlpool CGM2761TQ3 Dryer Parts](#) Parts Diagram 04 - BURNER ASSEMBLY
Click on the part number to view part

Item	Original Part Number	Replaced By	Status	Part Description
1	W10466240		Not Available	BURNER ASSEMBLY 60 HZ. (REFER TO PAGES 8 & 9 FOR FURTHER BREAKDOWN)
2	688617	693140		Burner
3	694298			Bracket, Ignitor
4	686590	279311		Ignitor
5	3393909			Screw, 8-32 X 7/8
6	343641	681414		Screw, 10AB X 1/2
7	3389871		Not Available	Base, Burner
8	3387057			Screw, 10-16 X 1/2 Orifice, Burner
9	234870			Orifice, Burner
"	234868			Orifice, Burner
10	W10304604	W10500695		Valve-Gas
11	326049536			Screw, Coil
12	W10328463			Coil, 60 Hz
13	W10295523			Plug, Pipe

14	W10110395	Pipe, Gas Supply
15	697441	Valve And Union Shut-Off
16	3393767	Pipe, Tail
17	233076	Nut, Compression
18	3387561	Clamp-Pipe
19	3389889	Bracket, Support
NI	694572	49572A Conversion Kit To Type L.p.g.f

