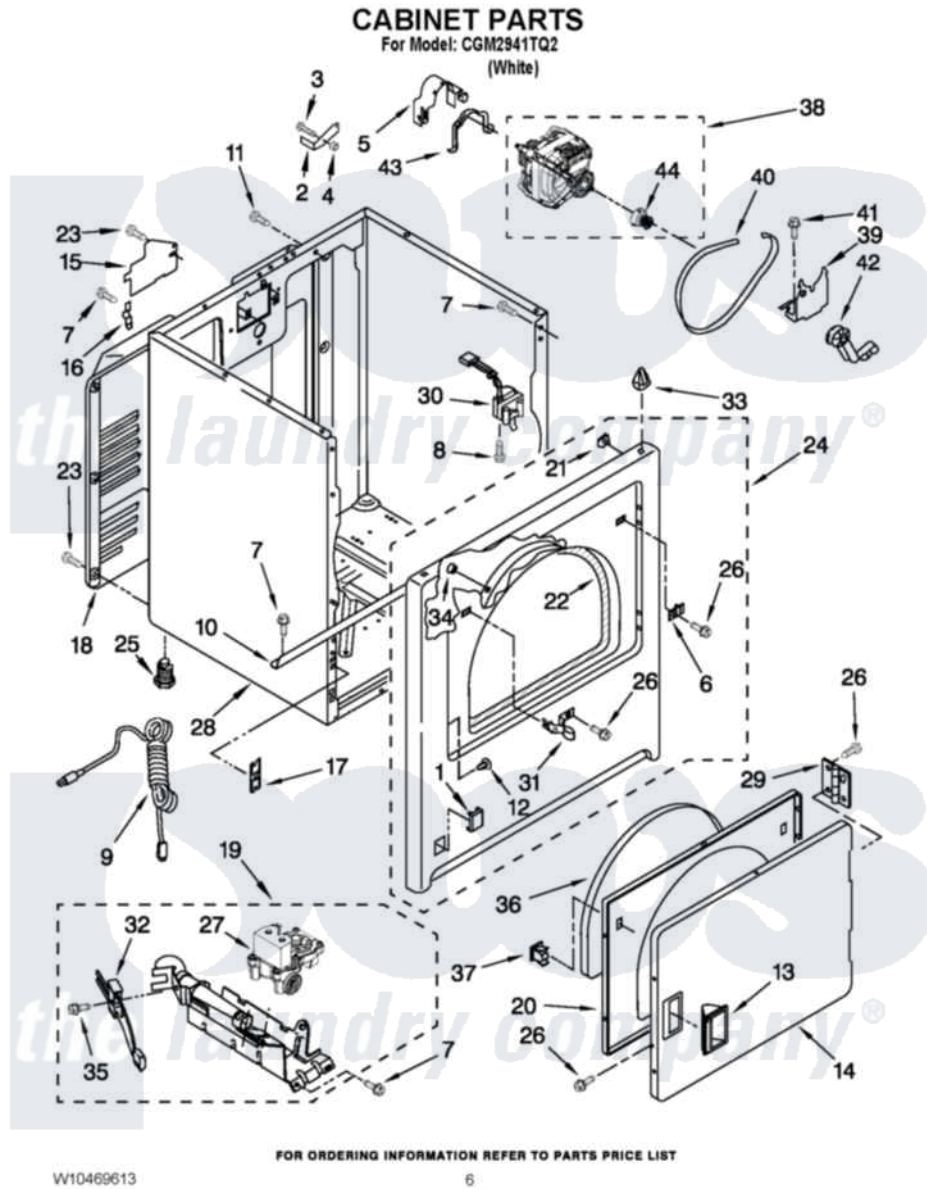


Whirlpool CGM2941TQ2 03 - CABINET PARTS



Whirlpool [Commercial Whirlpool CGM2941TQ2 Dryer Parts](#) Parts Diagram 03 - CABINET PARTS
Click on the part number to view part

Item	Original Part Number	Replaced By	Status	Part Description
1	8564457			Plug, Front Panel
2	3954895			Bracket, Top Lock
3	354730			Bolt, 5/16-18 X 2 3/4
4	90984			Nut, 5/16-18
5	3404162			Clamp, Motor
6	3403630			Plug, Strike Hole
7	3390631			Screw, 10-16 X 3/8
8	697773	3395530		Screw
9	W10440461	3401402		Cord, Power
10	W10236073			Bracket, Cabinet
11	8533974	4331106		Screw, No.10-32 X 7/16
12	3404413			Plug, Hinge Hole
13	3405184			Handle, Door
14	3402335			Door, Front
15	3396795			Cover, Terminal Block
16	238088	8066217		Hinge, Top

17	3394083		Clip, Front Panel
18	3396805	280043	Panel-Rear
19	W10400396	W10492502	Burner-Gas
20	3402341		Door, Inner
21	98234		Clip, U-Bend
22	3406129		Seal And Bearing Assembly
23	693995		Screw, Hex Head
24	W10224855	W10248059	Panel
25	3392100	49621	Feet-Leveling
NI	279810		Foot-Optional
26	342055	488627	Screw
27	W10304604	W10500695	Valve-Gas
28	8530603	8533643	Cabinet
29	W10362431		Hinge And Pin Assembly
30	3406109	3406107	Door Switch Assembly
31	3403431		Strike, Panel
32	686590	279311	Ignitor
33	690363	18776	Lock, Front Top
34	685203	279220	Clip
35	3393909		Screw, 8-32 X 7/8
36	3405246		Seal, Door Push-To-Start
37	3389441		Door Catch Assembly
38	W10396032	279827	Motor-Drve
39	348780		Base, Motor
40	W10131364	341241	Belt
41	3400500		Bolt, 3405245 5/16-18 X 3/4
42	691366		Idler And Pulley Assembly
43	W10121316		Plug, Multivent
44	8066184		Pulley, Motor

