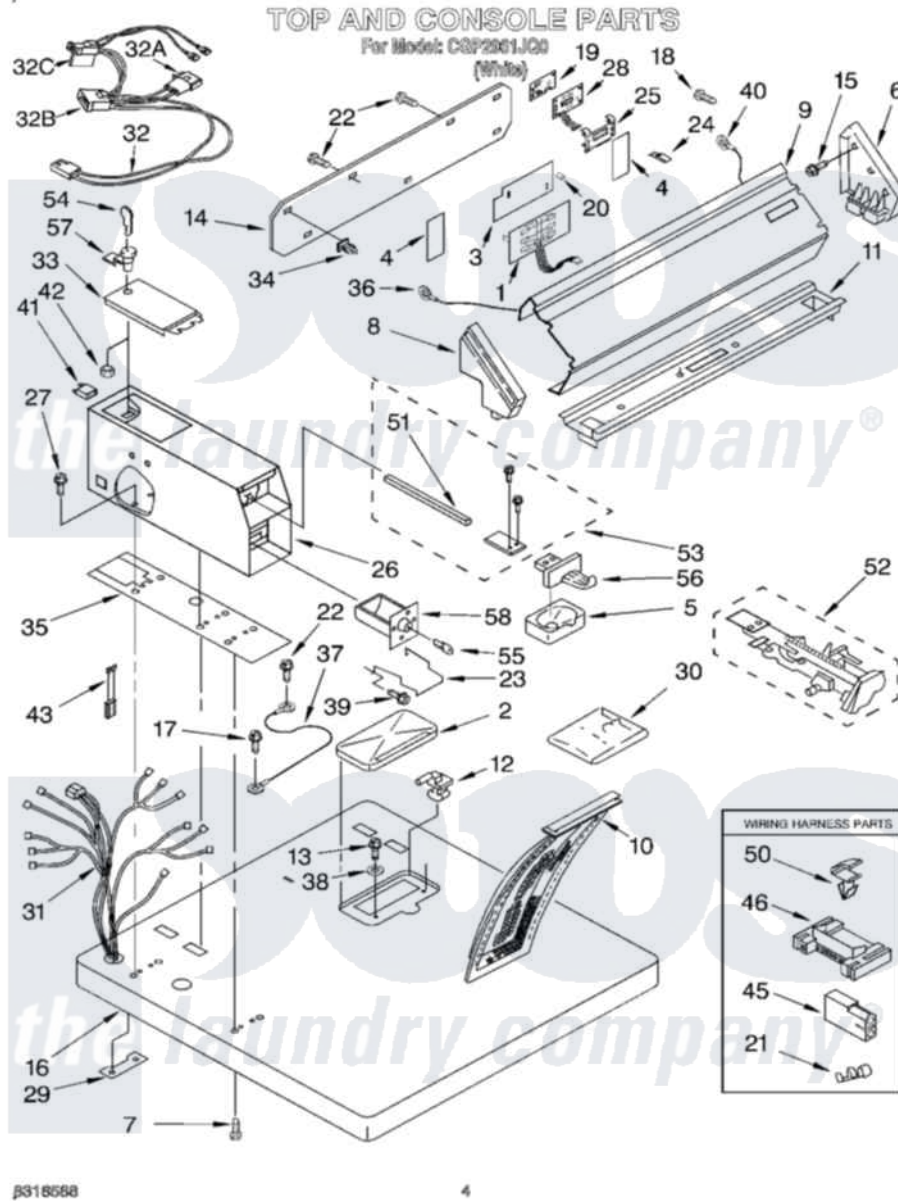


Whirlpool CGP2961JQ0 03 - TOP AND CONSOLE



8318568

4

Whirlpool [Commercial Whirlpool CGP2961JQ0 Dryer Parts](#) Parts Diagram 03 - TOP AND CONSOLE
Click on the part number to view part

Item	Original Part Number	Replaced By	Status	Part Description
1	3950772			Switch, Membrane
2	688150	697367		Cover
3	3950773			Backer Plate
4	3950775			Backer Plate, Side
5	385421			Funnel, Coin
6	3949737			Cap, End
7	98445			Screw, 10-16 X 3/4
8	3949734	W10096320		Cap, End
9	3402796			Panel, Control
10	349639			HANDLE AND LINT SCREEN ASSEMBLY
11	3949733			Bracket, Control
12	3978606			Hinge, Lint Lid
"	3978605	W10044470		Hinge, RH
13	688983	487240		Screw, For Mtg. Service Capacitor
14	3387978			Panel, Rear Console

15	97787	W10109200	Screw, Baffle Mounting
16	3402832		Top
17	90767		Screw, 8A X 3/8 HeX Washer Head Tapping
18	3393909		Screw, 8-32 X 7/8
19	3407149		Board, Control
20	3951768		Cap, Mounting Stud
21	357572	W10113937	Clip, Grounding
22	343641	681414	Screw, 10AB X 1/2
23	355636		Guide, Drawer
24	3363338		Clip
25	3949599		Bezel, Display
26	3978748	8527844	Case
27	3349065		Bolt, Meter Case Mounting
28	3407150		Board, Display
29	3347825	3353813	Plate, Mounting
30	8316238	279950	Funnel
31	3402816		Harness, Wiring
32	3401850		Harness-Gas
"	697779		Plug, 3-Way
"	3403498		Connector, 3-Position
"	3403499		Connector, 2-Position
33	3351136		Service Door Assembly
34	689559		Nut, Push-In
35	3954812		Cushion, Meter Case
36	690853		Wire, Ground
37	340025	687133	Wire
38	237446	487596	Washer
39	339805		Screw, 10-32 X 3/16
40	3397996	3395559	Wire
41	3402784		Switch, Service Diagnostic
42	90406		Cage Nut, 5/16-18
43	3406196		A.c. Line Filter
45	717252		Receptacle, Terminal
46	3395683		Receptacle, Multi-Terminal
50	3394427		Clip-Harness

