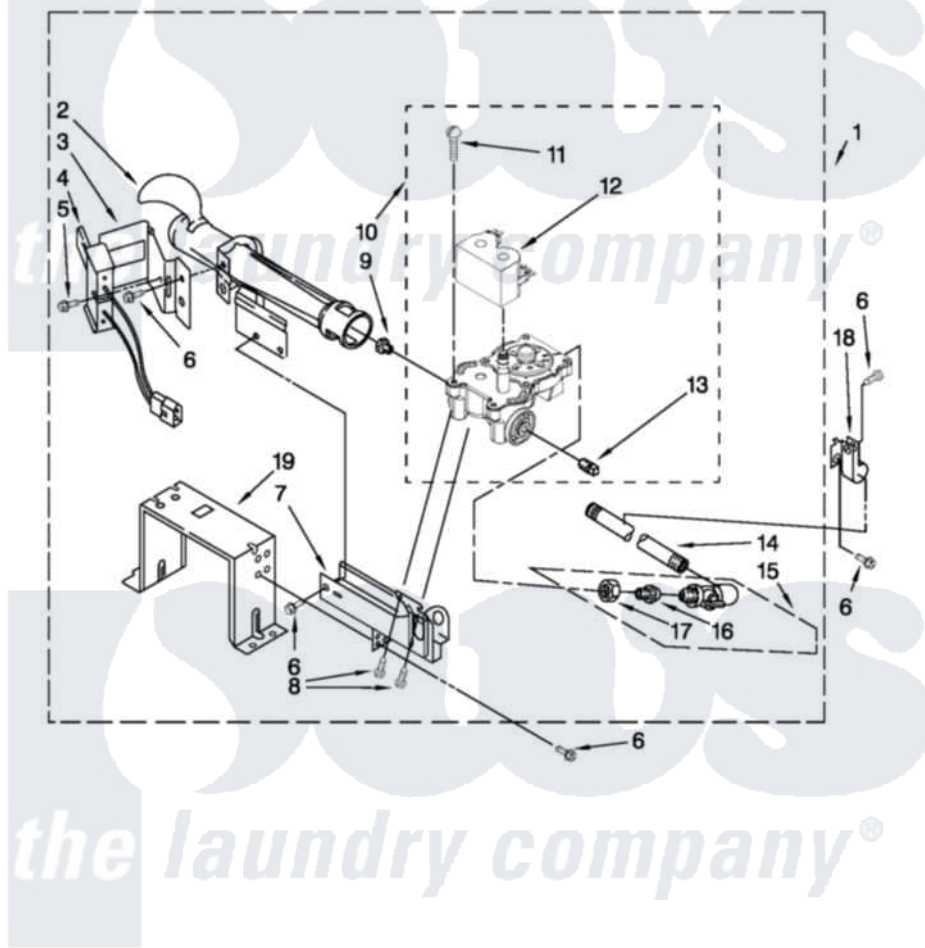


# Whirlpool CGT8000AQ0 09 - BURNER ASSEMBLY

## BURNER ASSEMBLY

FOR MODEL: CGT8000AQ0  
(White)

USE WITH TYPE 1 - NATURAL, TYPE 2 - MIXED,  
AND TYPE 4 - LIQUEFIED PROPANE AND BUTANE GASES



FOR ORDERING INFORMATION REFER TO PARTS PRICE LIST

W10491349

16

Whirlpool [Commercial Whirlpool CGT8000AQ0 Stacked Washer and Dryer Parts](#) Parts Diagram 09 - BURNER ASSEMBLY

[Click on the part number to view part](#)

Item	Original Part Number	Replaced By	Status	Part Description
1	W10400668	<a href="#">W10492508</a>		Burner-Gas
2	688617	<a href="#">693140</a>		Burner
3	<a href="#">694298</a>			Bracket, Ignitor
4	686590	<a href="#">279311</a>		Ignitor
5	<a href="#">3393909</a>			Screw, 8-32 X 7/8
6	343641	<a href="#">681414</a>		Screw, 10AB X 1/2
7	3389871		Not Available	Base, Burner
8	<a href="#">3387057</a>			Screw, 10-16 X 1/2 Orifice, Burner
9	<a href="#">234870</a>			Orifice, Burner
"	<a href="#">234868</a>			Orifice, Burner
10	<a href="#">W10299939</a>			Valve, Gas 60 Hz
11	<a href="#">326049536</a>			Screw, Coil
12	<a href="#">W10328463</a>			Coil, 60 Hz
13	<a href="#">W10295523</a>			Plug, Pipe
14	<a href="#">W10110395</a>			Pipe, Gas Supply

15	<a href="#">697441</a>		Valve And Union Shut-Off
16	<a href="#">3393767</a>		Pipe, Tail
17	<a href="#">233076</a>		Nut, Compression
18	<a href="#">3387561</a>		Clamp-Pipe
19	<a href="#">3389889</a>		Bracket, Support
NI	W10436933RE	<a href="#">W10436933</a>	Conversion Kit To Type L.P.G.

