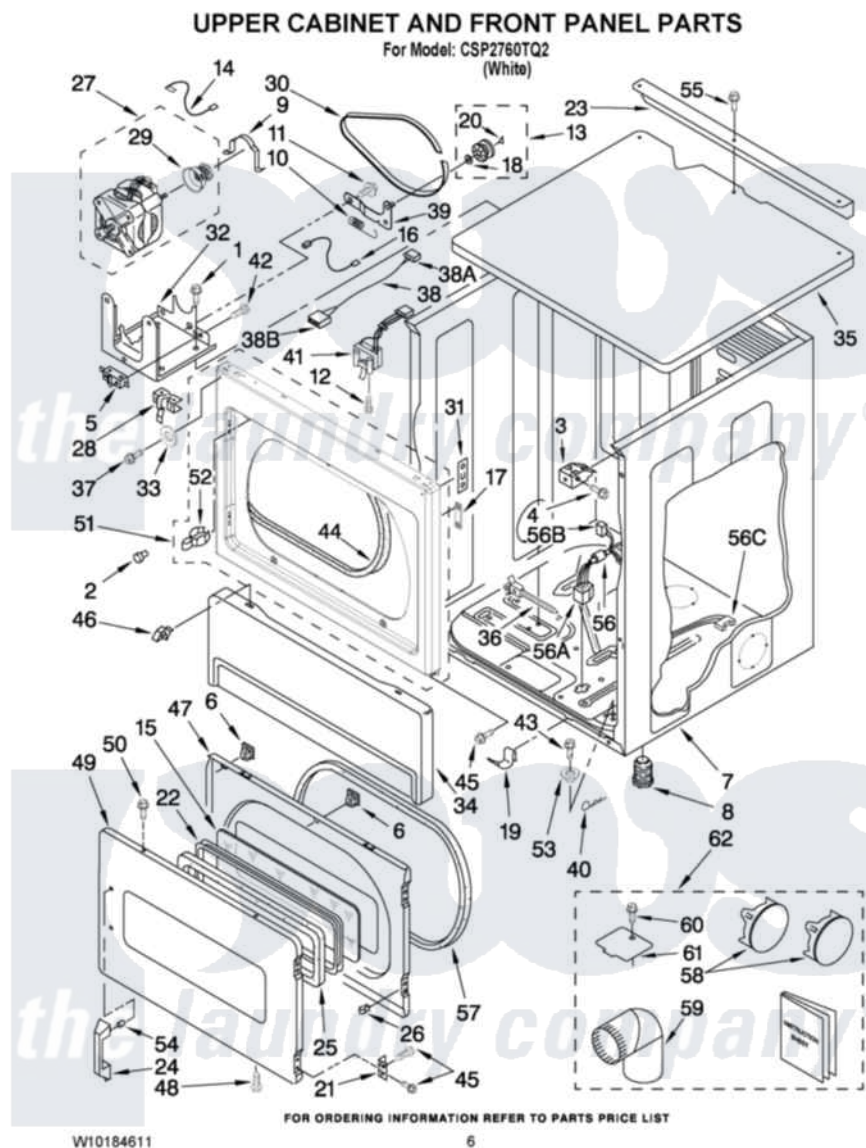


# Whirlpool CSP2760TQ2 03 - UPPER CABINET AND FRONT PANEL PARTS



Whirlpool [Commercial Whirlpool CSP2760TQ2 Dryer Parts](#) Parts Diagram 03 - UPPER CABINET AND FRONT PANEL PARTS

[Click on the part number to view part](#)

Item	Original Part Number	Replaced By	Status	Part Description
1	3390663	<a href="#">681414</a>		Screw, 10AB X 1/2
2	<a href="#">693152</a>			Bumper, Console
3	<a href="#">3391846</a>			Clip, Front Panel
4	3391915	<a href="#">681615</a>		Screw
5	3394881	<a href="#">279782</a>		Switch-Lid
6	3392538	<a href="#">279570</a>		Latch
7	3978859	<a href="#">280024</a>		Cabinet
8	<a href="#">689172</a>			Foot, Dryer
9	<a href="#">W10121316</a>			Plug, Multivent
10	<a href="#">3387374</a>			Spring, Idler
11	<a href="#">3389420</a>			Retainer-Idler 1/4-20 X 1/16
12	697773	<a href="#">3395530</a>		Screw
13	3388672	<a href="#">279640</a>		Pulley-Idr
14	<a href="#">3398948</a>			Wire, Jumper
15	3392918	<a href="#">3396122</a>		Window Pack. Includes Illustration 15 And 25)

16	3394881	<a href="#">279782</a>	Switch-Lid
17	<a href="#">W10191265</a>		Plug, Hinge Screw Front Panel
18	<a href="#">W10121334</a>		Washer, Thrust
19	<a href="#">297092</a>		Clip
20	<a href="#">690997</a>		Washer, Thrust
21	<a href="#">3389247</a>		Hinge And Pin Assembly
22	<a href="#">3392914</a>		Frame, Window
23	<a href="#">3979115</a>		Bracket, Angle
24	<a href="#">W10213202</a>		Handle, Door
25	<a href="#">3392915</a>		Gasket, Window
26	<a href="#">3389249</a>		Nut, Inner Door
27	8538264	<a href="#">W10438970</a>	Motor-Drive
28	<a href="#">8066120</a>		Lever, Door Switch
29	<a href="#">8066184</a>		Pulley, Motor
30	3387610	<a href="#">661570</a>	Belt
31	<a href="#">3390902</a>		Clip, Door Hinge
32	<a href="#">3387118</a>		Bracket, Motor
33	3392186	<a href="#">4159590</a>	Washer
34	697215	<a href="#">3406797</a>	Toe Panel
35	<a href="#">3389351</a>		Top
36	<a href="#">3391018</a>		Tie Cable
37	3393258	<a href="#">3373329D</a>	Screw
38	<a href="#">8283298</a>		Jumper, Door Switch
"	<a href="#">717253</a>		Receptacle
"	<a href="#">3936144</a>		Do-It-Yourself Repair Manuals
39	3388674	<a href="#">W10118756</a>	Idler Bracket
40	<a href="#">W10117347</a>		Cotter Pin
41	3406109	<a href="#">3406107</a>	Door Switch Assembly
42	<a href="#">98129</a>		Screw, 6-20 X 1 1/16
43	3400523	<a href="#">285875</a>	Kit, Security
44	<a href="#">3387242</a>		Seal, Front Panel
45	342055	<a href="#">488627</a>	Screw
46	<a href="#">3388229</a>		Retainer, Toe Panel
47	W10205622	<a href="#">W10244331</a>	Door-Rear
48	<a href="#">694091</a>		Trim, Side Right Hand
49	<a href="#">W10205649</a>		Door, Front
50	<a href="#">718032</a>		Screw, 8-18 X 3/4
51	W10192882	<a href="#">W10242810</a>	Panel
52	696144	<a href="#">279570</a>	Latch
53	<a href="#">3389233</a>		Bushing
54	<a href="#">9742177</a>		Screw, 8-18 X .625
55	3390647	<a href="#">488729</a>	Screw
56	<a href="#">8529991</a>		Harness
"	<a href="#">692997</a>		Plug, Multi- Terminal
"	<a href="#">717252</a>		Receptacle, Terminal
"	<a href="#">3395683</a>		Receptacle, Multi-Terminal
57	<a href="#">3390735</a>		Seal, Door
58	697750	<a href="#">W10470674</a>	Dryer Exhaust Kit
59	279731	<a href="#">49026</a>	4" - 90° Elbow
60	<a href="#">488729</a>		Screw
61	<a href="#">3394331</a>		Plate Cover
62	279818	<a href="#">W10470674</a>	Dryer Exhaust Kit