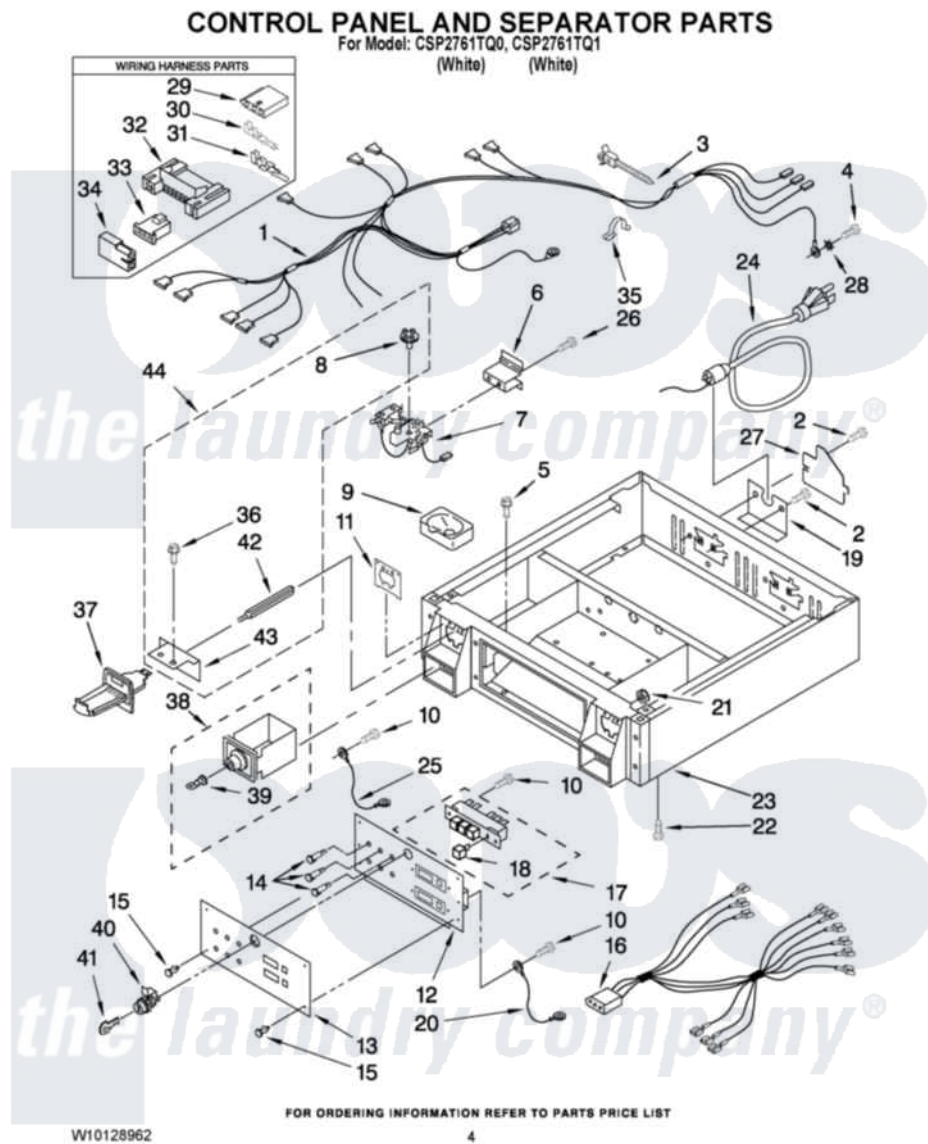


# Whirlpool CSP2761TQ0 02 - CONTROL PANEL AND SEPARATOR PARTS



Whirlpool Commercial Whirlpool CSP2761TQ0 Dryer Parts Diagram 02 - CONTROL PANEL AND SEPARATOR PARTS

Click on the part number to view part

Item	Original Part Number	Replaced By	Status	Part Description
1	<a href="#">8283295</a>			Harness, Wire
2	<a href="#">3400000</a>			Screw, 10-24 X 3/8
3	<a href="#">3391018</a>			Tie Cable
4	697776	<a href="#">4331106</a>		Screw, No.10-32 X 7/16
5	98139	<a href="#">303776</a>		Screw
6	<a href="#">3390115</a>			Bracket, Timer
7	3389668	<a href="#">279737</a>		Timer
8	<a href="#">3387974</a>			Timing Cam
"	<a href="#">339855</a>			Timing Cam
"	<a href="#">343777</a>			Timing Cam
"	<a href="#">339854</a>			Timing Cam
"	<a href="#">339853</a>			Timing Cam
9	<a href="#">385421</a>			Funnel, Coin
10	303921	<a href="#">489128</a>		Screw, 8-32 X 27/64
11	3954761	<a href="#">279950</a>		Funnel
12	<a href="#">3979100</a>			Panel, Control

13	8527831	<a href="#">8565384</a>	Insert, Decorative
14	<a href="#">3979325</a>		Lamp, Indicator
"	<a href="#">3979326</a>		Lamp, Indicator
"	<a href="#">3979327</a>		Lamp, Indicator
15	<a href="#">354239</a>		Rivet
16	<a href="#">8283296</a>		Wire Jumper
17	<a href="#">8316437</a>	<a href="#">W10330137</a>	Switch, Pushbutton
18	<a href="#">8316433</a>		Pushbutton
19	<a href="#">3390189</a>		Strain Relief
20	8539882	<a href="#">3401699</a>	Jumper Wire
21	<a href="#">3400029</a>		Nut, Adapter Plate
22	<a href="#">3400500</a>		Bolt, 3405245 5/16-18 X 3/4
23	<a href="#">3978853</a>		Collar
24	<a href="#">3401402</a>		Cord, Power
25	<a href="#">3401699</a>		Jumper Wire
26	<a href="#">3400094</a>		Screw, 10-32 X 3/8
27	<a href="#">3396795</a>		Cover, Terminal Block
28	<a href="#">3390443</a>		Retainer, Terminal
29	<a href="#">353424</a>		Plug, Terminal
30	<a href="#">94614</a>		Terminal
31	94613	<a href="#">596797</a>	Terminal
32	<a href="#">3395683</a>		Receptacle, Multi-Terminal
33	<a href="#">3403498</a>		Connector, 3-Position
34	<a href="#">3403499</a>		Connector, 2-Position
35	<a href="#">98997</a>		Clip, Harness Following Parts Optional Are Not Supplied On This Whirlpool Model. But Are Available For Purchase.
36	96435	<a href="#">356418</a>	Screw
37	<a href="#">8316520</a>		Slide Mechanism Inserts
"	8316264	<a href="#">4396666</a>	Insert
"	8316265	<a href="#">4396667</a>	Insert
38	8316525	<a href="#">4396671</a>	Box
39	BLANK	Not Available	Key (Money Box) (When Ordering, Specify Vendor and Key Number)
40	8316526	<a href="#">4396668</a>	Lock-Cam
41	BLANK	Not Available	Key (Service Door) (When Ordering, Specify Vendor and Key Number)
42	8318517	<a href="#">8576635</a>	Bolt
43	<a href="#">3390424</a>		Extension, Slide
44	<a href="#">3390615</a>		Screw And Cam Bag Assembly