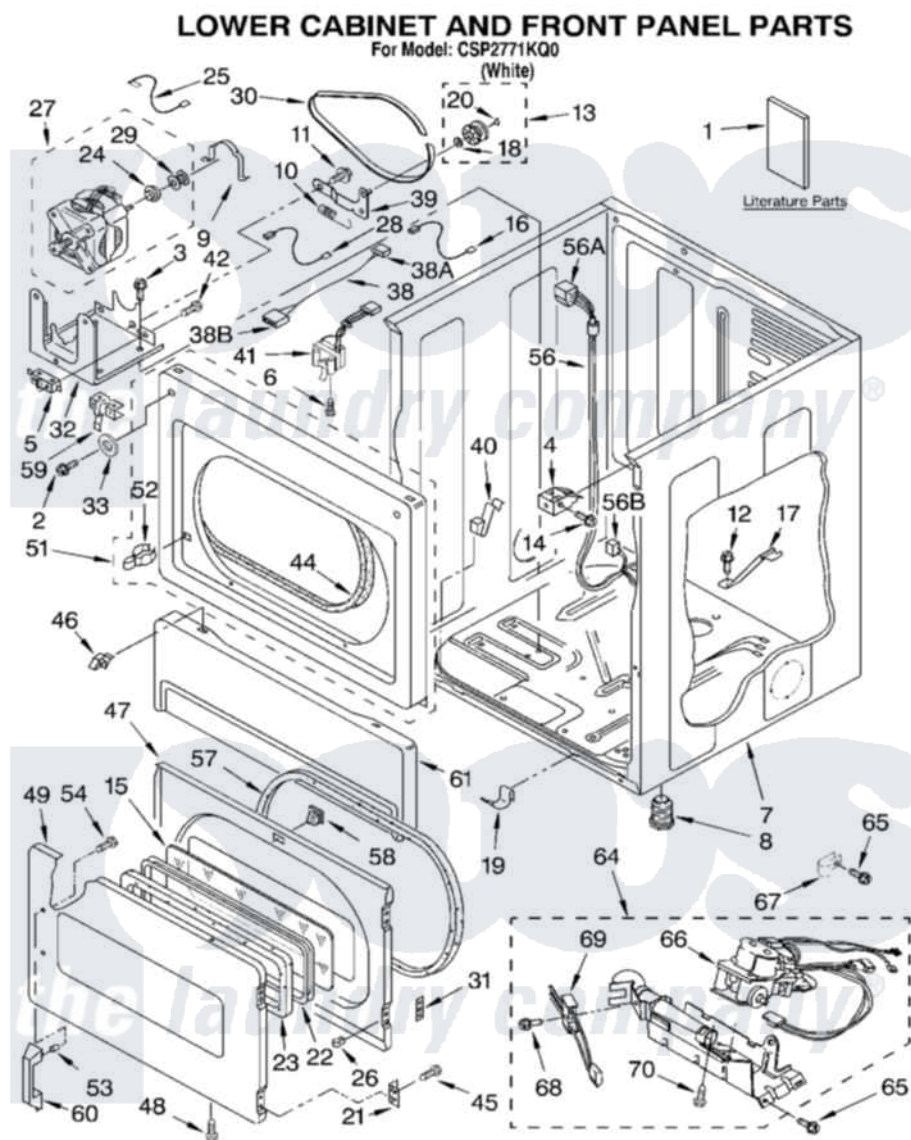


# Whirlpool CSP2771KQ0 01 - LOWER CABINET AND FRONT PANEL PARTS



8527820

2

Whirlpool Commercial Whirlpool CSP2771KQ0 Dryer Parts Parts Diagram 01 - LOWER CABINET AND FRONT PANEL PARTS

[Click on the part number to view part](#)

Item	Original Part Number	Replaced By	Status	Part Description
1	LIT8527892		Not Available	Literature Parts (Installation Instructions)
"	LIT8527882		Not Available	Literature Parts (Wiring Diagram)
"	LIT8527886		Not Available	Literature Parts (Tech Sheet)
"	LIT8527820		Not Available	Literature Parts (Service Parts List)
2	3393258	<a href="#">3373329D</a>		Screw
3	3390663	<a href="#">681414</a>		Screw, 10AB X 1/2
4	<a href="#">3391846</a>			Clip, Front Panel
5	3394881	<a href="#">279782</a>		Switch-Lid
6	697773	<a href="#">3395530</a>		Screw
7	<a href="#">8310656</a>			Cabinet
8	3392100	<a href="#">49621</a>		Feet-Leveling
9	<a href="#">660658</a>			Clamp, Motor Mounting 343481 685441

10	<a href="#">3387374</a>		Spring, Idler
11	<a href="#">3389420</a>		Retainer-Idler 1/4-20 X 1/16
12	<a href="#">693995</a>		Screw, Hex Head
13	3388672	<a href="#">279640</a>	Pulley-Idr
14	3391915	<a href="#">681615</a>	Screw
15	3392918	<a href="#">3396122</a>	Window Pack. Includes Illustration 15 And 25)
16	<a href="#">3394081</a>		Wire, Broken Belt Switch
17	<a href="#">8529757</a>		Bracket, Burner
18	<a href="#">233520</a>		Washer, Thrust
19	<a href="#">297092</a>		Clip
20	<a href="#">690997</a>		Washer, Thrust
21	<a href="#">3389247</a>		Hinge And Pin Assembly
22	<a href="#">3392914</a>		Frame, Window
23	<a href="#">3392915</a>		Gasket, Window
24	<a href="#">3393657</a>		Restrainer, Belt
25	<a href="#">3398948</a>		Wire, Jumper
26	<a href="#">3389249</a>		Nut, Inner Door
27	8538264	<a href="#">W10438970</a>	Motor-Drve
28	<a href="#">3394081</a>		Wire, Broken Belt Switch
29	3389627	<a href="#">W10299847</a>	Pulley-Motor
30	3387610	<a href="#">661570</a>	Belt
31	<a href="#">3390902</a>		Clip, Door Hinge
32	<a href="#">3387118</a>		Bracket, Motor
33	3392186	<a href="#">4159590</a>	Washer
38	<a href="#">8283298</a>		Jumper, Door Switch
"	<a href="#">717253</a>		Receptacle
"	<a href="#">3936144</a>		Do-It-Yourself Repair Manuals
39	3388674	<a href="#">W10118756</a>	Idler Bracket
40	<a href="#">3388600</a>		Clip, Lint Duct
41	3406109	<a href="#">3406107</a>	Door Switch Assembly
42	<a href="#">98129</a>		Screw, 6-20 X 1 1/16
44	<a href="#">3387242</a>		Seal, Front Panel
45	342055	<a href="#">488627</a>	Screw
46	<a href="#">3388229</a>		Retainer, Toe Panel
47	3392905	<a href="#">W10244331</a>	Door-Rear
48	<a href="#">694091</a>		Trim, Side Right Hand
49	<a href="#">3392880</a>		Door, Front
51	3393081	<a href="#">279722</a>	Panel
52	696144	<a href="#">279570</a>	Latch
53	<a href="#">3393933</a>		Fastener
54	<a href="#">718032</a>		Screw, 8-18 X 3/4
56	<a href="#">8529853</a>		Harness
"	3390423	Not Available	Block, Disconnect (12-Way) (Timer) (Use Term. 94613)
"	<a href="#">717252</a>		Receptacle, Terminal
57	<a href="#">3390735</a>		Seal, Door
58	3392538	<a href="#">279570</a>	Latch
59	<a href="#">8066120</a>		Lever, Door Switch
60	<a href="#">3392906</a>		Handle, Door
61	697215	<a href="#">3406797</a>	Toe Panel
64	3401797	<a href="#">285904</a>	Burner-Gas
65	3390647	<a href="#">488729</a>	Screw

66	3401775	<a href="#">279923</a>	NAT Gas
67	<a href="#">3387561</a>		Clamp-Pipe
68	<a href="#">3393909</a>		Screw, 8-32 X 7/8
69	686590	<a href="#">279311</a>	Ignitor
70	<a href="#">3387057</a>		Screw, 10-16 X 1/2 Orifice, Burner

