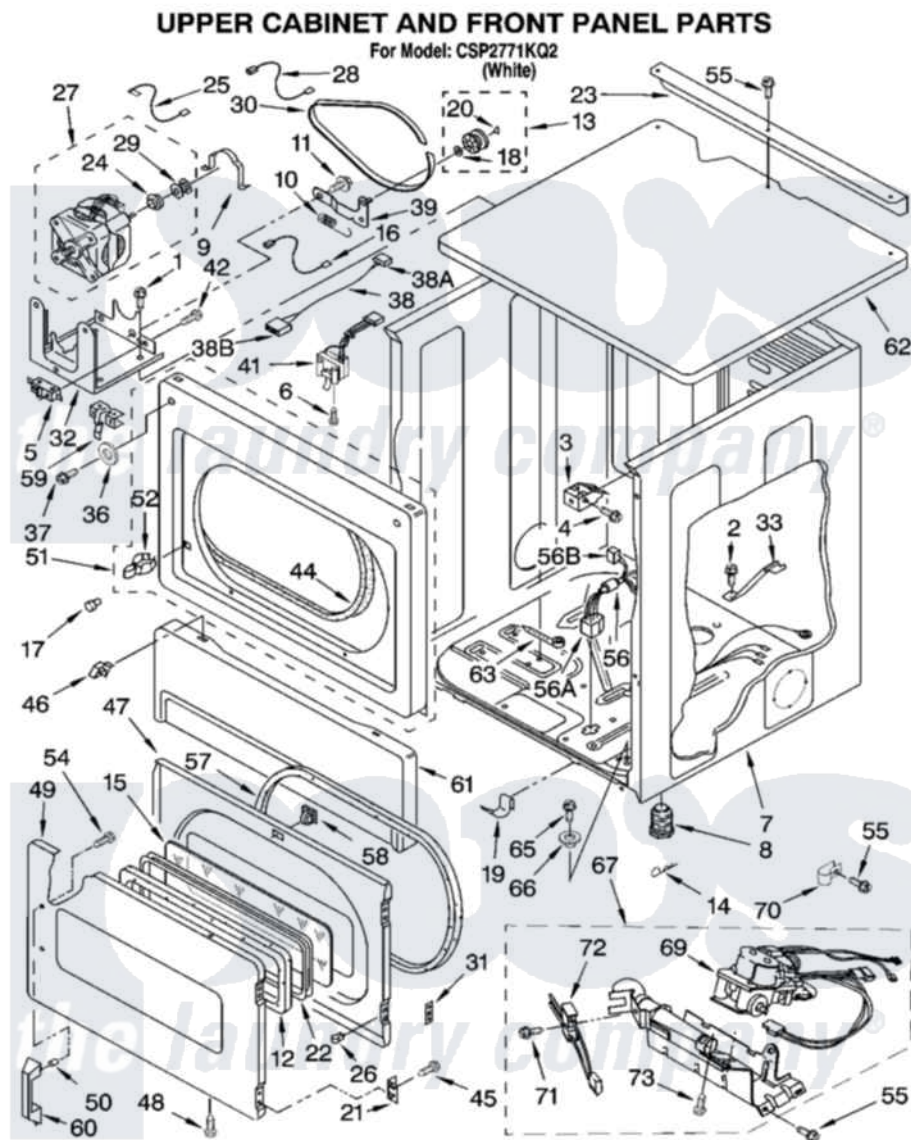


Whirlpool CSP2771KQ2 06 - UPPER CABINET AND FRONT PANEL PARTS



8562525

6

Whirlpool [Commercial Whirlpool CSP2771KQ2 Dryer Parts](#) Parts Diagram 06 - UPPER CABINET AND FRONT PANEL PARTS

[Click on the part number to view part](#)

| Item | Original Part Number | Replaced By | Status | Part Description |
|------|-------------------------|-------------------------|--------|--|
| 1 | 3390663 | 681414 | | Screw, 10AB X 1/2 |
| 2 | 693995 | | | Screw, Hex Head |
| 3 | 3391846 | | | Clip, Front Panel |
| 4 | 3391915 | 681615 | | Screw |
| 5 | 3394881 | 279782 | | Switch-Lid |
| 6 | 697773 | 3395530 | | Screw |
| 7 | 3978859 | 280024 | | Cabinet |
| 8 | 689172 | | | Foot, Dryer |
| 9 | 660658 | | | Clamp, Motor Mounting 343481 685441 |
| 10 | 3387374 | | | Spring, Idler |
| 11 | 3389420 | | | Retainer-Idler 1/4-20 X 1/16 |
| 12 | 3392915 | | | Gasket, Window |
| 13 | 3388672 | 279640 | | Pulley-Idr |
| 14 | 63823 | | | Cotter Pin |
| 15 | 3390918 | 3398122 | | Window Pack. Includes |

| | | | |
|----|-------------------------|---------------------------|---|
| 15 | | | Illustration 15 And 25) |
| 16 | 3394081 | | Wire, Broken Belt Switch |
| 17 | 693152 | | Bumper, Console |
| 18 | 233520 | | Washer, Thrust |
| 19 | 297092 | | Clip |
| 20 | 690997 | | Washer, Thrust |
| 21 | 3389247 | | Hinge And Pin Assembly |
| 22 | 3392914 | | Frame, Window |
| 23 | 3979115 | | Bracket, Angle |
| 24 | 3393657 | | Restrainer, Belt |
| 25 | 3398948 | | Wire, Jumper |
| 26 | 3389249 | | Nut, Inner Door |
| 27 | 8538264 | W10438970 | Motor-Drve |
| 28 | 3398948 | | Wire, Jumper |
| 29 | 3389627 | W10299847 | Pulley-Motor |
| 30 | 3387610 | 661570 | Belt |
| 31 | 3390902 | | Clip, Door Hinge |
| 32 | 3387118 | | Bracket, Motor |
| 33 | 8529757 | | Bracket, Burner |
| 36 | 3392186 | 4159590 | Washer |
| 37 | 3393258 | 3373329D | Screw |
| 38 | 8283298 | | Jumper, Door Switch |
| " | 717253 | | Receptacle |
| " | 3936144 | | Do-It-Yourself Repair Manuals |
| 39 | 3388674 | W10118756 | Idler Bracket |
| 41 | 3406109 | 3406107 | Door Switch Assembly |
| 42 | 98129 | | Screw, 6-20 X 1 1/16 |
| 44 | 3387242 | | Seal, Front Panel |
| 45 | 342055 | 488627 | Screw |
| 46 | 3388229 | | Retainer, Toe Panel |
| 47 | 3392905 | W10244331 | Door-Rear |
| 48 | 694091 | | Trim, Side Right Hand |
| 49 | 3392880 | | Door, Front |
| 50 | 3393933 | | Fastener |
| 51 | 3393081 | 279722 | Panel |
| 52 | 696144 | 279570 | Latch |
| 54 | 718032 | | Screw, 8-18 X 3/4 |
| 55 | 3390647 | 488729 | Screw |
| 56 | 8529993 | | Harness |
| " | 3390423 | Not Available | Block, Disconnect (12-Way) (Timer) (Use Term. 94613) |
| " | 717252 | | Receptacle, Terminal |
| 57 | 3390735 | | Seal, Door |
| 58 | 3392538 | 279570 | Latch |
| 59 | 8066120 | | Lever, Door Switch |
| 60 | 3392906 | | Handle, Door |
| 61 | 697215 | 3406797 | Toe Panel |
| 62 | 3389351 | | Top |
| 63 | 3391018 | | Tie Cable |
| 65 | 3400523 | 285875 | Kit, Security |
| 66 | 3389233 | | Bushing |
| 67 | 3401797 | 285904 | Burner-Gas |
| 69 | 3401775 | 279923 | NAT Gas |

| | | | |
|----|-------------------------|------------------------|---------------------------------------|
| 70 | 3387561 | | Clamp-Pipe |
| 71 | 3393909 | | Screw, 8-32 X 7/8 |
| 72 | 686590 | 279311 | Ignitor |
| 73 | 3387057 | | Screw, 10-16 X 1/2 Orifice, Burner |

