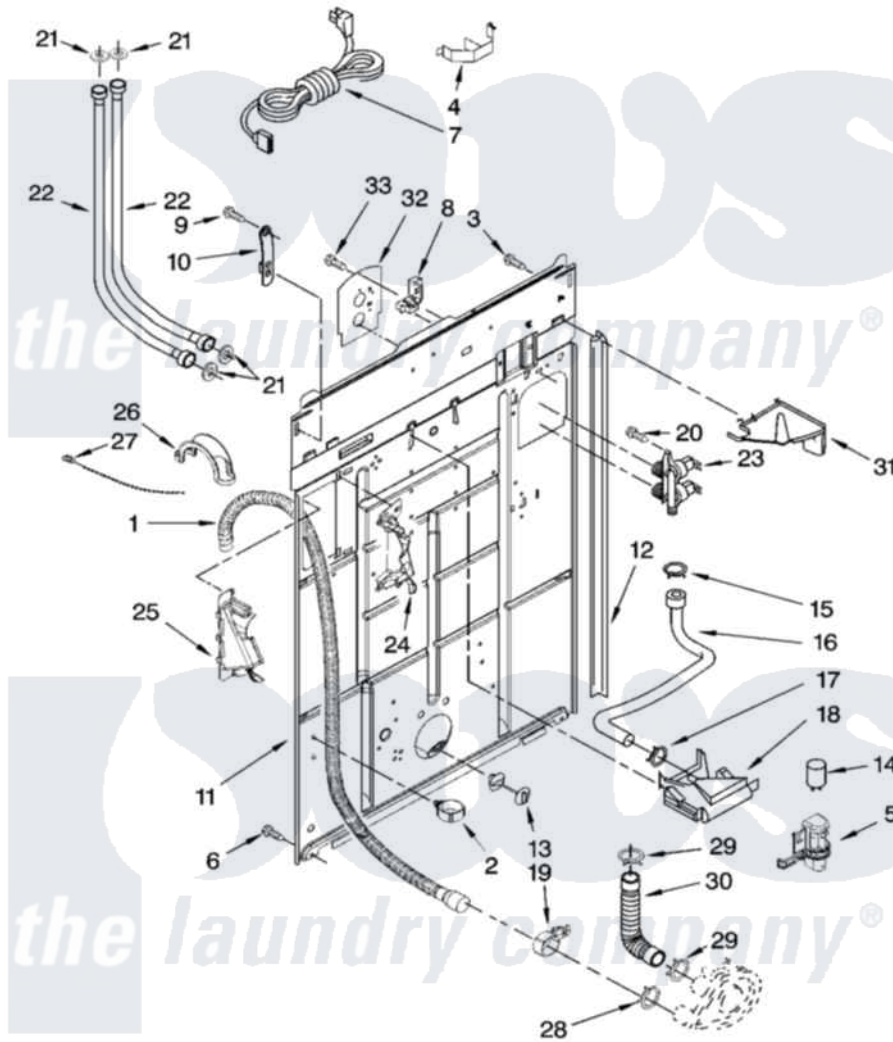


# Whirlpool GCAM2792TQ0 02 - REAR PANEL PARTS

## REAR PANEL PARTS For Models: GCAM2792TQ0, GCAM2792TQ2 (White) (White)



W10114746

4

Whirlpool [Commercial Whirlpool GCAM2792TQ0 Washer Parts](#) Parts Diagram 02 - REAR PANEL PARTS  
Click on the part number to view part

Item	Original Part Number	Replaced By	Status	Part Description
1	W10122138	<a href="#">W10096921</a>		Drain Hose Assembly
2	<a href="#">8541667</a>			Clamp, Hose
3	<a href="#">3351614</a>			Screw, Gearcase Cover Mounting
4	<a href="#">8055003</a>			Clip, Harness And Pressure Switch
5	<a href="#">3949496</a>			Clamp, Capacitor
6	62863	<a href="#">3390631</a>		Screw, 10-16 X 3/8
7	3976231	<a href="#">285928</a>		Cord-Power
8	3952821	<a href="#">285777</a>		Relief-Str
9	3390647	<a href="#">488729</a>		Screw
10	<a href="#">8568314</a>			Strap, Console
11	<a href="#">8318019</a>			Panel, Rear
12	<a href="#">62747</a>			Pad, Rear Panel
13	<a href="#">8519200</a>			Support, Rear Panel
14	<a href="#">8572717</a>			Capacitor, Motor Start
15	301958	<a href="#">596669</a>		Clamp, Manifold

16	8317974	<a href="#">8317926</a>	Hose, Vacuum Break
17	370450	<a href="#">596669</a>	Clamp, Manifold
18	387606	<a href="#">3360977</a>	Break-Vac
19	<a href="#">8541668</a>		Clamp, Hose
20	<a href="#">9740848</a>		Screw, Mixing Valve Mounting
21	3976300	<a href="#">16123</a>	Washer Inlet-Hose Miscellaneous Parts Must be Ordered Separately.
22	8571377	<a href="#">89503</a>	Hose-Inlet
"	8571378	<a href="#">89503</a>	Hose-Inlet
23	<a href="#">8578341</a>		Valve, Water Inlet W/Bi-Metal
24	<a href="#">8541669</a>		Bucket, Drain Hose
25	<a href="#">8541658</a>		Bucket, Drain Hose
26	<a href="#">8577378</a>		U-Bend, Drain Hose
27	3347868	<a href="#">W10339879</a>	Tie, Cable
28	8317496	<a href="#">285655</a>	Clamp, Hose
29	3363366	<a href="#">616099</a>	Clamp
30	3951449	<a href="#">285871</a>	Hose
31	<a href="#">8539874</a>		Shield, Suds
32	8541624	<a href="#">285930</a>	Plate
33	62863	<a href="#">3390631</a>	Screw, 10-16 X 3/8

