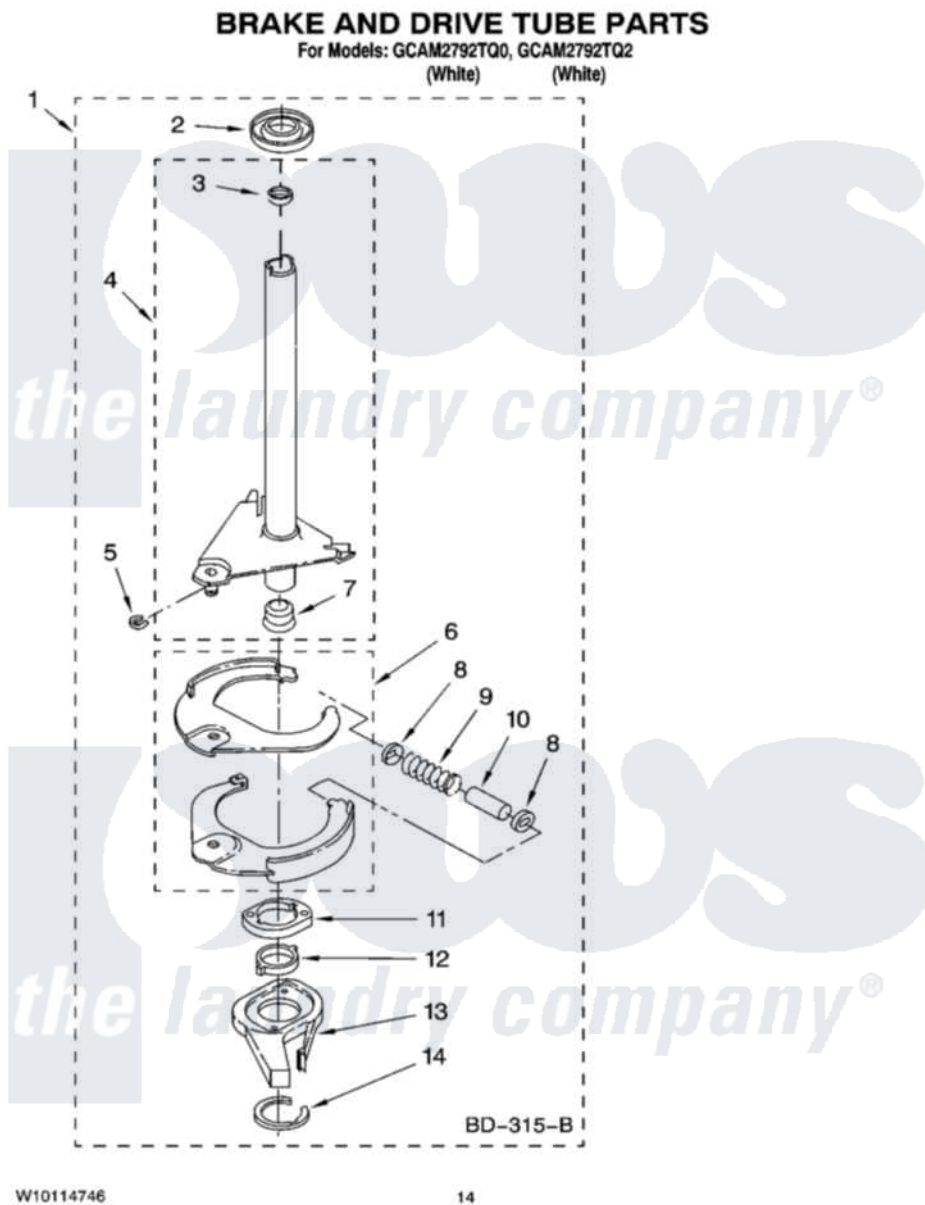


**Whirlpool GCAM2792TQ0 09 - BRAKE AND DRIVE TUBE PARTS,  
OPTIONAL PARTS (NOT INCLUDED)**



Whirlpool [Commercial Whirlpool GCAM2792TQ0 Washer Parts](#) Parts Diagram 09 - BRAKE AND DRIVE TUBE PARTS,  
OPTIONAL PARTS (NOT INCLUDED)  
Click on the part number to view part

Item	Original Part Number	Replaced By	Status	Part Description
1	388952	<a href="#">285792</a>		Basketdrive
2	<a href="#">62658</a>			Ring, Thrust
3	<a href="#">356427</a>			Seal, Spin Pinion
4	64027	<a href="#">64208</a>		Tube-Spin
5	64035	<a href="#">W10083190</a>		Ring, Retaining
6	64232	<a href="#">285438</a>		Shoe-Brake
7	62703	<a href="#">8546462</a>		"T" Bearing, Spin Tube
8	3353956	<a href="#">285658</a>		Sleeve
9	387806		Not Available	Spring, Brake
10	3355360	<a href="#">285658</a>		Sleeve
11	<a href="#">661516</a>	<a href="#">8546461</a>		Cam, Brake Release
12	<a href="#">63022</a>			Sleeve, Cam
13	64194	<a href="#">285790</a>		Lining
14	<a href="#">90368</a>	<a href="#">W10083200</a>		Ring, Retaining
	BLANK		Not Available	Following Parts Not Illustrated

"	<a href="#">285208</a>		Lubricant
"	<a href="#">72017</a>		Paint, Touch-Up
"	<a href="#">350938</a>		Paint, Pressurized Spray B
"	<a href="#">350930</a>		Paint, Pressurized Spray B
"	<a href="#">799344</a>		Paint, Touch-Up )
"	BLANK	Not Available	OIL
"	<a href="#">350572</a>		Oil
"	BLANK	Not Available	LUBRICANT
"	<a href="#">285208</a>		Lubricant
"	BLANK	Not Available	SEALER
"	<a href="#">285195</a>		Sealer Sealer, Gasket

