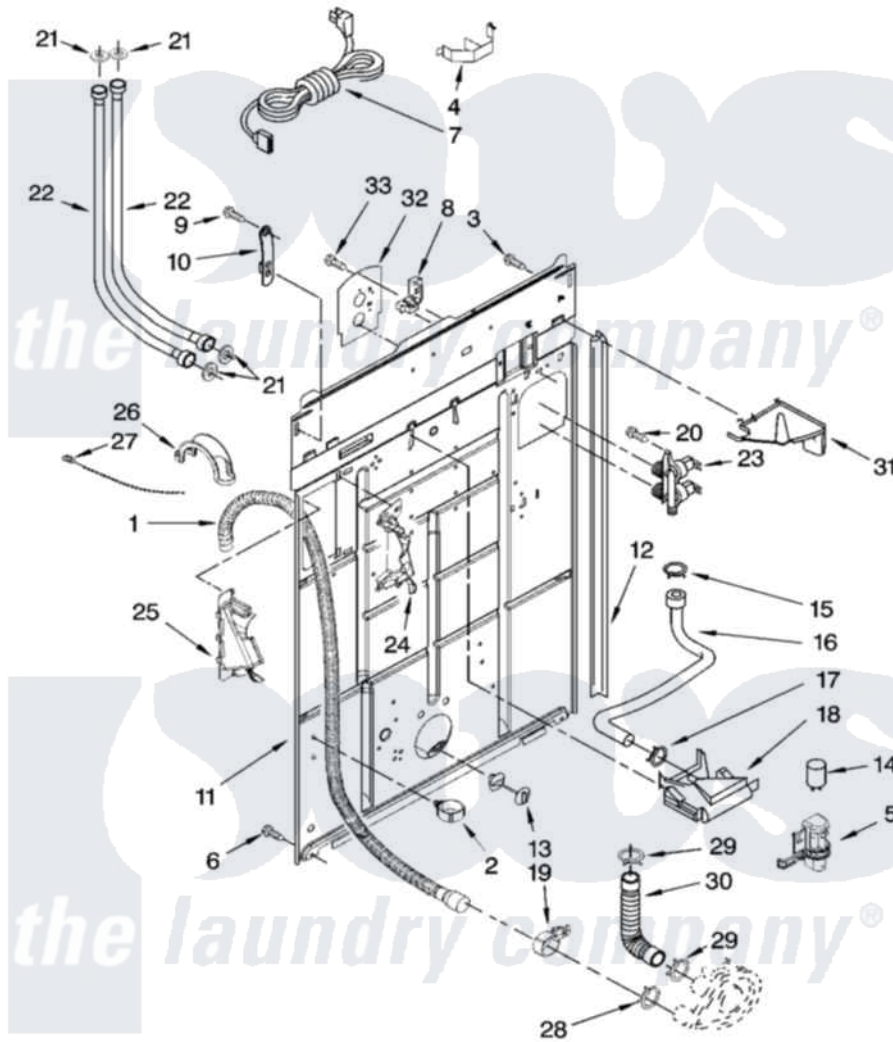


Whirlpool GCAM2792TQ2 02 - REAR PANEL PARTS

REAR PANEL PARTS For Models: GCAM2792TQ0, GCAM2792TQ2 (White) (White)



W10114746

4

Whirlpool [Commercial Whirlpool GCAM2792TQ2 Washer Parts](#) Parts Diagram 02 - REAR PANEL PARTS
Click on the part number to view part

| Item | Original Part Number | Replaced By | Status | Part Description |
|------|-------------------------|---------------------------|--------|-----------------------------------|
| 1 | W10122138 | W10096921 | | Drain Hose Assembly |
| 2 | 8541667 | | | Clamp, Hose |
| 3 | 3351614 | | | Screw, Gearcase Cover Mounting |
| 4 | 8055003 | | | Clip, Harness And Pressure Switch |
| 5 | 3949496 | | | Clamp, Capacitor |
| 6 | 62863 | 3390631 | | Screw, 10-16 X 3/8 |
| 7 | 3976231 | 285928 | | Cord-Power |
| 8 | 3952821 | 285777 | | Relief-Str |
| 9 | 3390647 | 488729 | | Screw |
| 10 | 8568314 | | | Strap, Console |
| 11 | 8318019 | | | Panel, Rear |
| 12 | 62747 | | | Pad, Rear Panel |
| 13 | 8519200 | | | Support, Rear Panel |
| 14 | 8572717 | | | Capacitor, Motor Start |
| 15 | 301958 | 596669 | | Clamp, Manifold |

| | | | |
|----|-------------------------|---------------------------|---|
| 16 | 8317974 | 8317926 | Hose, Vacuum Break |
| 17 | 370450 | 596669 | Clamp, Manifold |
| 18 | 387606 | 3360977 | Break-Vac |
| 19 | 8541668 | | Clamp, Hose |
| 20 | 9740848 | | Screw, Mixing Valve Mounting |
| 21 | 3976300 | 16123 | Washer Inlet-Hose Miscellaneous Parts Must be Ordered Separately. |
| 22 | 8571377 | 89503 | Hose-Inlet |
| " | 8571378 | 89503 | Hose-Inlet |
| 23 | 8578341 | | Valve, Water Inlet W/Bi-Metal |
| 24 | 8541669 | | Bucket, Drain Hose |
| 25 | 8541658 | | Bucket, Drain Hose |
| 26 | 8577378 | | U-Bend, Drain Hose |
| 27 | 3347868 | W10339879 | Tie, Cable |
| 28 | 8317496 | 285655 | Clamp, Hose |
| 29 | 3363366 | 616099 | Clamp |
| 30 | 3951449 | 285871 | Hose |
| 31 | 8539874 | | Shield, Suds |
| 32 | 8541624 | 285930 | Plate |
| 33 | 62863 | 3390631 | Screw, 10-16 X 3/8 |

