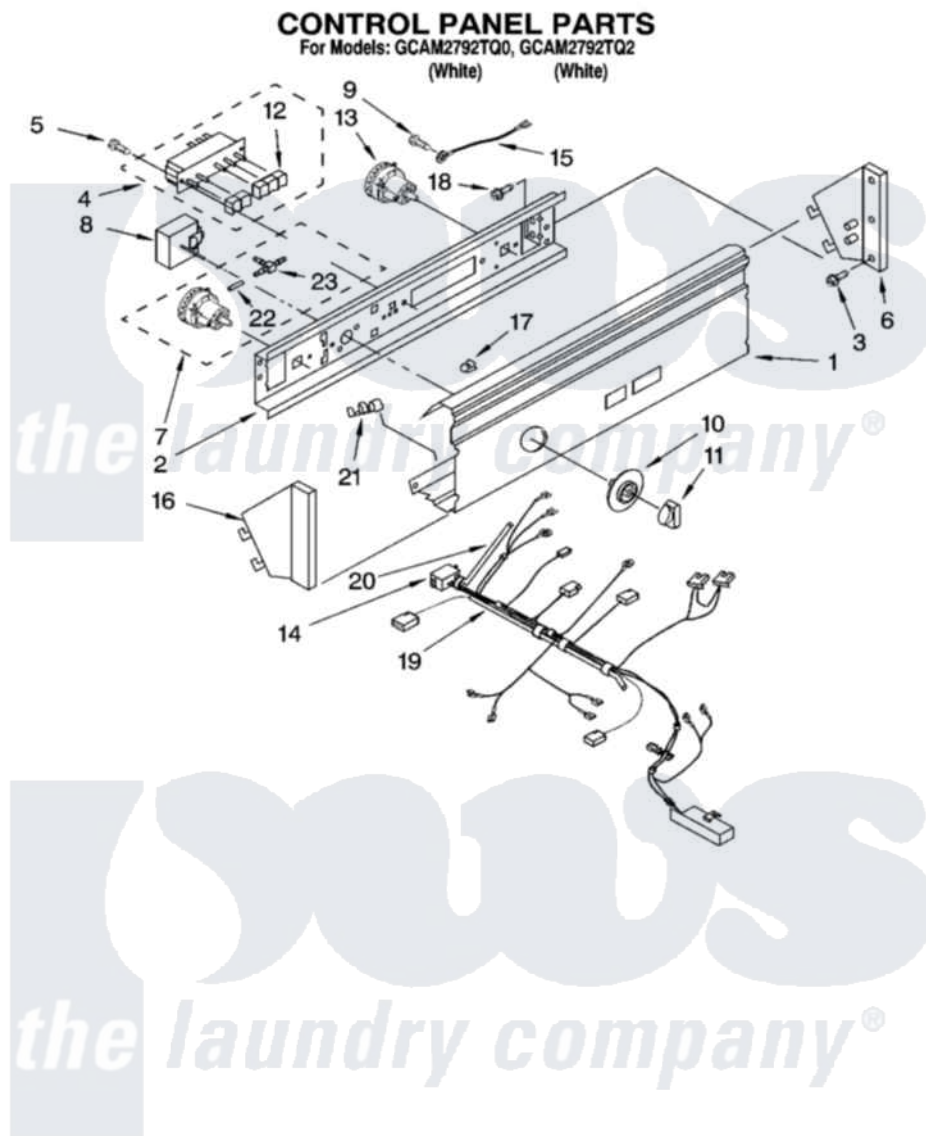


Whirlpool GCAM2792TQ2 06 - CONTROL PANEL PARTS



W10114746

10

Whirlpool [Commercial Whirlpool GCAM2792TQ2 Washer Parts](#) Parts Diagram 06 - CONTROL PANEL PARTS
Click on the part number to view part

| Item | Original Part Number | Replaced By | Status | Part Description |
|------|---------------------------|---------------------------|--------|------------------------|
| 1 | 8524796 | | | Panel, Console |
| 2 | 8524798 | | | Bracket, Control |
| 3 | 97787 | W10109200 | | Screw, Baffle Mounting |
| 4 | 8316435 | W10330136 | | Switch, Cycle Selector |
| 5 | 3393918 | 355214 | | Screw And Washer |
| 6 | 3949737 | | | Cap, End |
| 7 | W10129718 | W10339325 | | Switch-WL |
| 8 | W10116523 | | | Timer |
| 9 | 3400073 | | | Screw, Ground |
| 10 | 8274412 | | | Dial, Timer |
| 11 | 8529311 | | | Knob, Timer |
| 12 | 8316433 | | | Pushbutton |
| 13 | 8524802 | W10339319 | | Switch-WL |
| 14 | W10136114 | | | Harness, Wiring |
| 15 | 3398893 | 3395559 | | Wire |
| 16 | 3949734 | W10096320 | | Cap, End |

| | | | |
|----|------------------------|---------------------------|---|
| 17 | 689559 | | Nut, Push-In |
| 18 | 388326 | | Screw, 8-18 X 1.25 |
| 19 | 8524801 | 353244 | Hose, Pressure Switch |
| 20 | 8533269 | 353244 | Hose, Pressure Switch |
| 21 | 357572 | W10113937 | Clip, Grounding |
| 22 | BLANK | Not Available | Hose, Pressure Switch to ``T`` (Part Non- Serviceable) |
| 23 | BLANK | Not Available | Fitting, Pressure Hose ``T`` (Part Non- Serviceable) |

