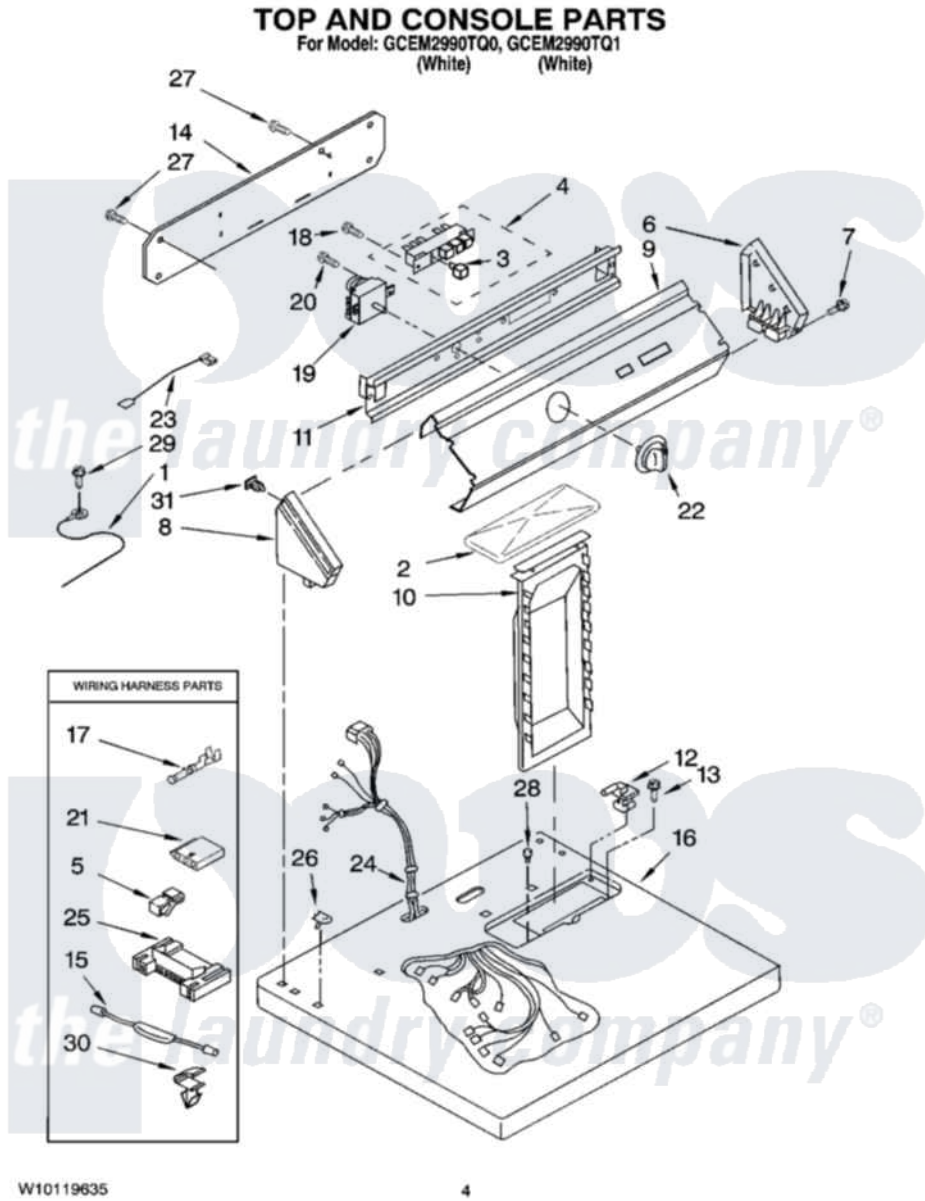


# Whirlpool GCEM2990TQ0 02 - TOP AND CONSOLE PARTS



Whirlpool [Commercial Whirlpool GCEM2990TQ0 Dryer Parts](#) Parts Diagram 02 - TOP AND CONSOLE PARTS  
Click on the part number to view part

Item	Original Part Number	Replaced By	Status	Part Description
1	3398893	<a href="#">3395559</a>		Wire
2	<a href="#">8283378</a>			Cover, Lint Screen
3	<a href="#">8316433</a>			Pushbutton
4	<a href="#">8316437</a>	<a href="#">W10330137</a>		Switch, Pushbutton
5	357572	<a href="#">W10113937</a>		Clip, Grounding
6	<a href="#">3949737</a>			Cap, End
7	97787	<a href="#">W10109200</a>		Screw, Baffle Mounting
8	<a href="#">3949734</a>	<a href="#">W10096320</a>		Cap, End
9	<a href="#">8527826</a>			Panel, Control
10	<a href="#">349639</a>			HANDLE AND LINT SCREEN ASSEMBLY
11	<a href="#">8527828</a>			Bracket, Control
12	<a href="#">3978606</a>			Hinge, Lint Lid
"	<a href="#">3978605</a>	<a href="#">W10044470</a>		Hinge, RH
13	688983	<a href="#">487240</a>		Screw, For Mtg. Service Capacitor
14	<a href="#">8066156</a>			Panel, Rear

15	3401076	<a href="#">279872</a>	Resistor
16	<a href="#">8316630</a>		Top
17	<a href="#">94614</a>		Terminal
18	303921	<a href="#">489128</a>	Screw, 8-32 X 27/64
19	<a href="#">3979596</a>		Timer
20	8533971	<a href="#">90767</a>	Screw, 8A X 3/8 HeX Washer Head Tapping
21	<a href="#">3936144</a>		Do-It-Yourself Repair Manuals
22	<a href="#">8529317</a>		Knob, Timer
23	<a href="#">3393811</a>		Wire, Jumper
"	<a href="#">3393812</a>		Wire, Jumper
24	<a href="#">8576540</a>		Harness, Wiring
25	<a href="#">3395683</a>		Receptacle, Multi-Terminal
26	<a href="#">357213</a>		Nut, Push-In
27	<a href="#">693995</a>		Screw, Hex Head
28	297535	<a href="#">17258</a>	Bumper
29	339554	<a href="#">3390631</a>	Screw, 10-16 X 3/8
30	<a href="#">3394427</a>		Clip-Harness
31	<a href="#">689559</a>		Nut, Push-In
	BLANK	Not Available	Following Parts Not Illustrated
"	<a href="#">10875</a>		Wire, Splicing

