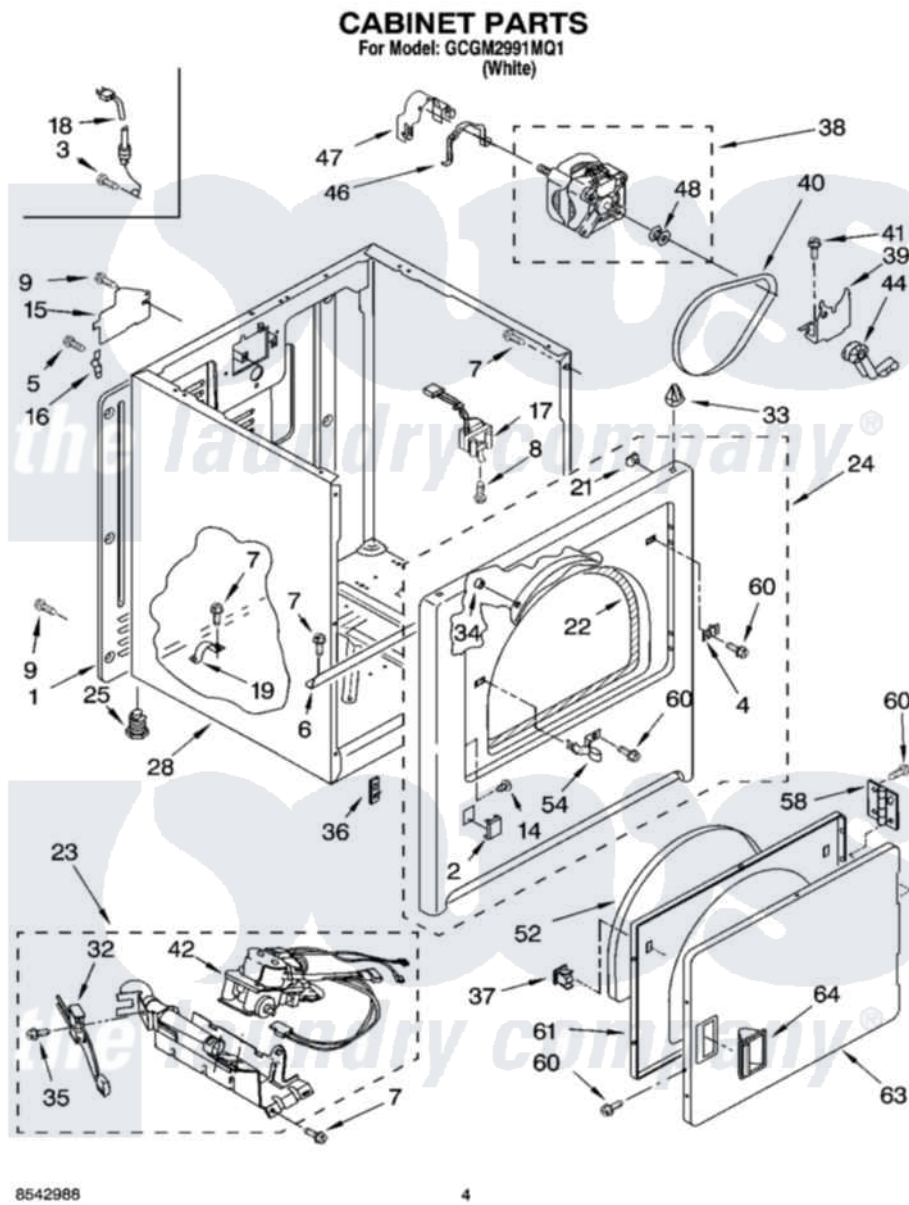


Whirlpool GCGM2991MQ1 02 - CABINET PARTS



Whirlpool [Commercial Whirlpool GCGM2991MQ1 Dryer Parts](#) Parts Diagram 02 - CABINET PARTS
Click on the part number to view part

Item	Original Part Number	Replaced By	Status	Part Description
1	3396805	280043		Panel-Rear
2	3394975			Plug, Front Panel
3	697776	4331106		Screw, No.10-32 X 7/16
4	3403630			Plug, Strike Hole
5	388326			Screw, 8-18 X 1.25
6	8541400			Bracket, Cabinet
7	343641	681414		Screw, 10AB X 1/2
8	697773	3395530		Screw
9	693995			Screw, Hex Head
14	3404413			Plug, Hinge Hole
15	3396795			Cover, Terminal Block
16	238088	8066217		Hinge, Top
17	3406109	3406107		Door Switch Assembly
18	3401401	3401402		Cord, Power
19	341029			Clamp, Pipe Door Spring
21	98234			Clip, U-Bend

22	3406129		Seal And Bearing Assembly
23	3401771	W10492502	Burner-Gas
24	3403447	279854	Panel
25	3392100	49621	Feet-Leveling
"	279810		Foot-Optional
28	8530603	8533643	Cabinet
32	686590	279311	Ignitor
33	690363	18776	Lock, Front Top
34	685203	279220	Clip
35	3393909		Screw, 8-32 X 7/8
36	3394083		Clip, Front Panel
37	690081	279570	Latch
38	8538262	279827	Motor-Drve
39	348780		Base, Motor
40	8066065	341241	Belt
41	3400500		Bolt, 3405245 5/16-18 X 3/4
42	3401775	279923	NAT Gas
44	691366		Idler And Pulley Assembly
46	660658		Clamp, Motor Mounting 343481 685441
47	3404162		Clamp, Motor
48	3394341	W10299847	Pulley-Motor
52	3405246		Seal, Door Push-To-Start
54	3403431		Strike, Panel
58	3405514	W10362431	Hinge And Pin Assembly
60	342055	488627	Screw
61	3402341		Door, Inner
63	3402335		Door, Front
64	3405184		Handle, Door

