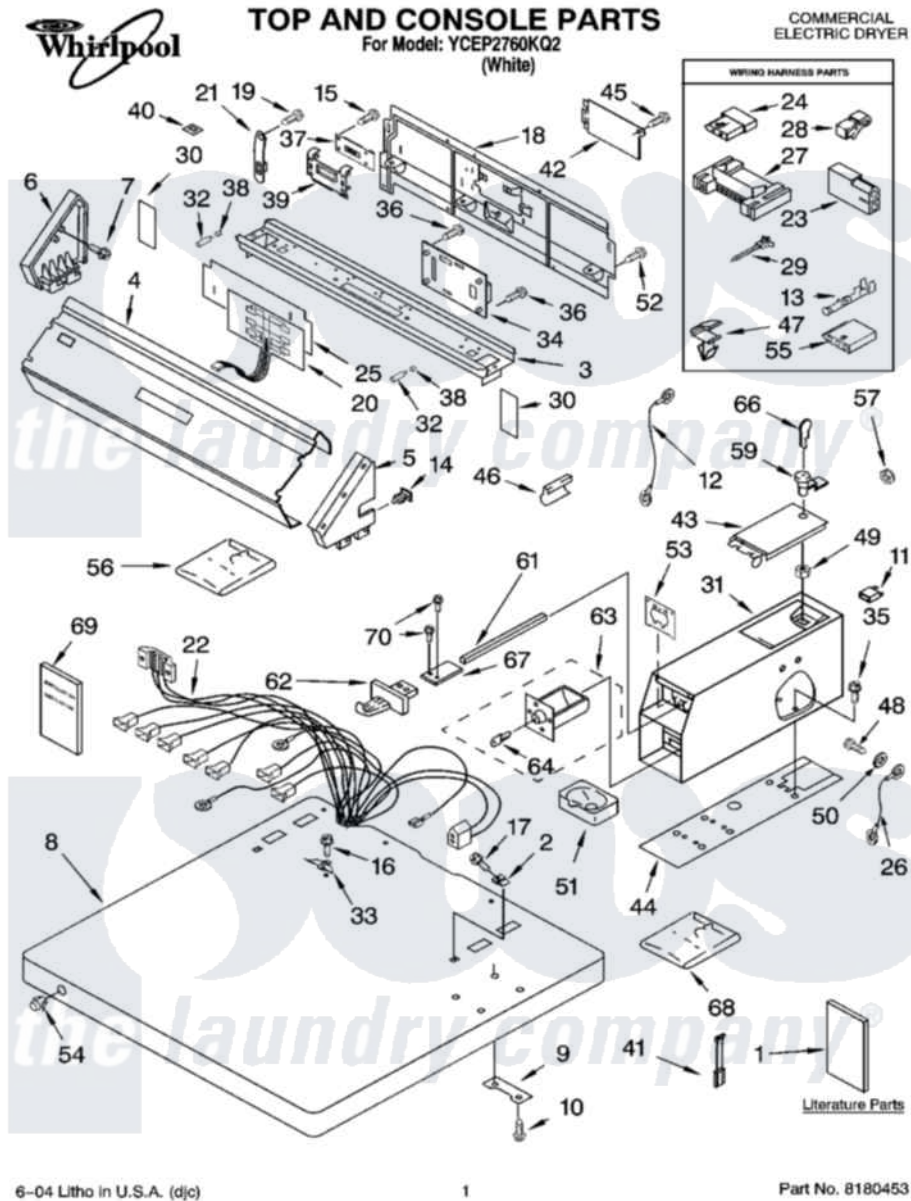


# Whirlpool YCEP2760KQ2 01 - TOP AND CONSOLE PARTS



Whirlpool Commercial Whirlpool YCEP2760KQ2 Dryer Parts Parts Diagram 01 - TOP AND CONSOLE PARTS  
Click on the part number to view part

Item	Original Part Number	Replaced By	Status	Part Description
1	8528107		Not Available	Instructions Installation
"	8530961		Not Available	Wiring Diagram
"	8527807		Not Available	Tech Sheet
2	<a href="#">357213</a>			Nut, Push-In
3	<a href="#">3950800</a>			Bracket, Control
4	<a href="#">8527822</a>			Panel, Control
5	8316516	<a href="#">W10096340</a>		Cap, End
6	<a href="#">3949734</a>	<a href="#">W10096320</a>		Cap, End
7	97787	<a href="#">W10109200</a>		Screw, Baffle Mounting
8	<a href="#">3954665</a>			Top
9	3347825	<a href="#">3353813</a>		Plate, Mounting
10	<a href="#">98445</a>			Screw, 10-16 X 3/4
11	<a href="#">3402784</a>			Switch, Service Diagnostic
12	3397996	<a href="#">3395559</a>		Wire
13	<a href="#">94614</a>			Terminal
14	<a href="#">689559</a>			Nut, Push-In

15	<a href="#">3390646</a>	<a href="#">W10139210</a>	Screw, 8-18 X 5/16
16	3393918	<a href="#">355214</a>	Screw And Washer
17	<a href="#">8281182</a>		Screw, 8-18 X 1 1/4
18	<a href="#">3978608</a>		Panel, Rear
19	3390647	<a href="#">488729</a>	Screw
20	<a href="#">3407158</a>		Switch, Membrane
21	8318255	<a href="#">8568314</a>	Strap, Console
22	8529988	Not Available	Harness, Main
23	<a href="#">717252</a>		Receptacle, Terminal
24	<a href="#">717253</a>		Receptacle
25	<a href="#">3950773</a>		Backer Plate
26	340025	<a href="#">687133</a>	Wire
27	<a href="#">3395683</a>		Receptacle, Multi-Terminal
28	357572	<a href="#">W10113937</a>	Clip, Grounding
29	<a href="#">3391018</a>		Tie Cable
30	<a href="#">3950775</a>		Backer Plate, Side
31	<a href="#">3406994</a>		Case, Meter
32	3950774	<a href="#">3950773</a>	Backer Plate
33	<a href="#">3355753</a>		Clip, Static Ground
34	<a href="#">3407149</a>		Board, Control
35	<a href="#">3349065</a>		Bolt, Meter Case Mounting
36	<a href="#">3393909</a>		Screw, 8-32 X 7/8
37	<a href="#">3407150</a>		Board, Display
38	<a href="#">3951768</a>		Cap, Mounting Stud
39	<a href="#">3949599</a>		Bezel, Display
40	<a href="#">3363338</a>		Clip
41	<a href="#">3406197</a>		A.c. Inline Filter
42	<a href="#">8317342</a>	<a href="#">W10119283</a>	Cover, Terminal Block
43	<a href="#">3351136</a>		Service Door Assembly
44	<a href="#">3954812</a>		Cushion, Meter Case
45	3390814	<a href="#">90767</a>	Screw, 8A X 3/8 HeX Washer Head Tapping
46	686770	<a href="#">686769</a>	Protector, Support
47	<a href="#">3394427</a>		Clip-Harness
48	<a href="#">339805</a>		Screw, 10-32 X 3/16
49	<a href="#">90406</a>		Cage Nut, 5/16-18
50	3400900	<a href="#">W10068270</a>	Washer, Lock
51	<a href="#">385421</a>		Funnel, Coin
52	339554	<a href="#">3390631</a>	Screw, 10-16 X 3/8
53	3954761	<a href="#">279950</a>	Funnel
54	<a href="#">387371</a>		Lock, Plug Also Available
"	<a href="#">358290</a>		Top Lock
55	<a href="#">3936144</a>		Do-It-Yourself Repair Manuals
56	<a href="#">3954807</a>		Kit, Vertical 8-Coin Coin Mechanism Parts, May be Ordered From Whirlpool Or The Vend
57	<a href="#">3400029</a>		Nut, Adapter Plate
59	8316526	<a href="#">4396668</a>	Lock-Cam
61	8318517	<a href="#">8576635</a>	Bolt
62	<a href="#">8316520</a>		Slide Mechanism Inserts
"	8316264	<a href="#">4396666</a>	Insert
"	8316265	<a href="#">4396667</a>	Insert
63	8316525	<a href="#">4396671</a>	Box

64	BLANK		Not Available	Key (Money Box) (When Ordering, Specify Vendor and Key Number)
66	BLANK		Not Available	Key (Service Door) (When Ordering, Specify Vendor and Key Number)
67	<a href="#">8316523</a>			Extension
68	8316524	<a href="#">4396670</a>		Kit
69	<a href="#">8316532</a>			Installation Instructions Coin Kit
70	<a href="#">3400086</a>			Screw, 10-32 X 3/8

