



EX6102cl-EX6250cl

Washer extractor
Laveuses essoreuses

List of issues

EX6102cl,EX6135cl,EX6200cl,EX6250cl

Illustration	Page	Table of contents
100797	179	Inlet valve 3/4", 3-way
100798	177	Inlet valve 3/4", 2-way
101452	133	Dispensing components
101978	125	Lubrication
102107	175	CMIS
102213	155	Drain valve and hoses, water recovery
102357	151	Drain and hoses
102358	97	Motor
102361	39	Electric cabinet, rear
102364	11	Panels
102365	19	Frame
102366	27	Outer and inner drum
102367	33	Bearing house with bearings
102368	85	Electric cabinet, front
102368	93	Electric cabinet, front
102369	103	Door
102370	107	Door lock
102371	127	Out of balance switch
102372	137	Steam components
102373	143	Suspension
102374	163	Tilt, forward
102375	165	Tilt, forward and forward/backward
102376	167	Weighing device
102377	119	Water alternatives Lindström
102391	15	Panels
102392	21	Frame
102393	23	Frame
102394	25	Frame
102395	29	Outer and inner drum
102396	31	Outer and inner drum
102397	35	Bearing house with bearings
102398	47	Electric cabinet, rear
102399	59	Electric cabinet, rear
102400	99	Motor
102401	101	Motor
102402	113	Water connections
102403	115	Water connections 1 1/2"
102404	129	Sound insulation
102405	131	Sound insulation
102406	135	Dispensing components, side
102407	139	Steam components
102408	141	Steam components
102409	147	Suspension unit
102410	149	Level tube and test tap
102411	153	Drain and hoses
102412	157	Drain valve and hoses, water recovery
102413	159	Water recovery system
102414	161	Water recovery system
102415	169	Weighing device
102527	121	Water alternatives Lindström
102595	123	Drain valve
102671	171	Loading hopper
500130	109	Door locking device, Hands-Off
500131	111	Turning device-door
500132	173	Loading hopper
500133	17	Panels, Hands-Off
500134	105	Door, Hands-Off
500157	117	Water connections 1 1/4"
500170	51	Electric cabinet, rear
500171	61	Electric cabinet, rear

List of issues

EX6102cl,EX6135cl,EX6200cl,EX6250cl

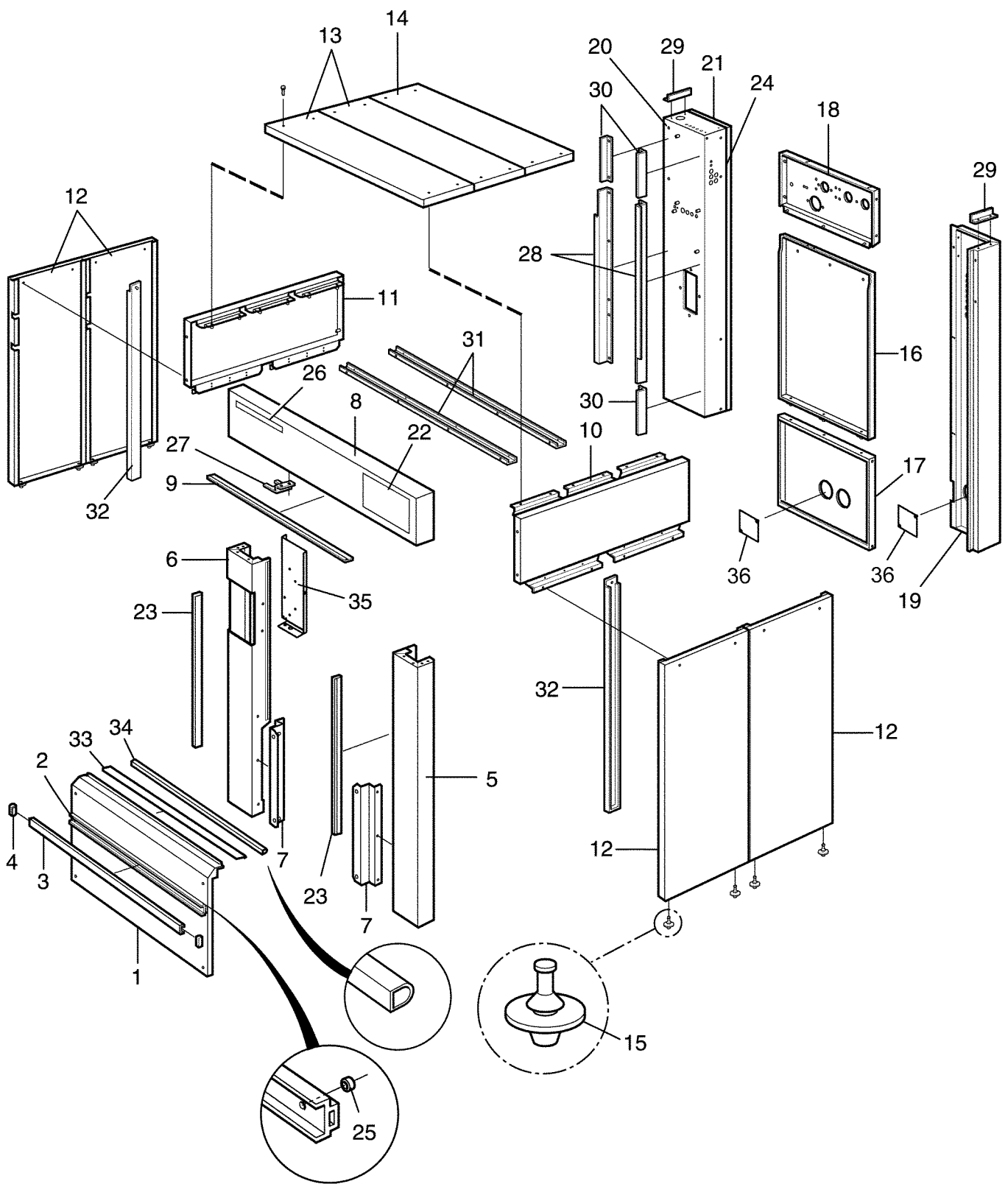
Illustration	Page	Table of contents
500214	87	Electric cabinet, front
500214	95	Electric cabinet, front
500219	145	Suspension unit
500223	65	Printed circuit board
500223	67	Printed circuit board
500223	73	Printed circuit board
500224	71	Printed circuit board
500224	79	Printed circuit board
500226	43	Electric cabinet, rear
500227	55	Electric cabinet, rear
500228	63	Electric cabinet, rear

EX6102cl,EX6135cl,EX6200cl,EX6250cl

Table of contents	Table des matières	Page/Page
*Panels	Plaques	11
*Panels	Plaques	15
Panels, Hands-Off	Plaques, Hands-Off	17
Frame	Base	19
Frame	Base	21
Frame	Base	23
Frame	Base	25
Outer and inner drum	Tambour extérieur et intérieur	27
Outer and inner drum	Tambour extérieur et intérieur	29
Outer and inner drum	Tambour extérieur et intérieur	31
Bearing house with bearings	Logement de palier avec palier	33
Bearing house with bearings	Logement de palier avec palier	35
Electric cabinet, rear	Armoire électrique, arrière	39
*Electric cabinet, rear	Armoire électrique, arrière	43
Electric cabinet, rear	Armoire électrique, arrière	47
Electric cabinet, rear	Armoire électrique, arrière	51
*Electric cabinet, rear	Armoire électrique, arrière	55
Electric cabinet, rear	Armoire électrique, arrière	59
Electric cabinet, rear	Armoire électrique, arrière	61
*Electric cabinet, rear	Armoire électrique, arrière	63
Printed circuit board	Carte circuit	65
Printed circuit board	Carte circuit	67
Printed circuit board	Carte circuit	71
Printed circuit board	Carte circuit	73
Printed circuit board	Carte circuit	79
Electric cabinet, front	Armoire électrique, avant	85
Electric cabinet, front	Armoire électrique, avant	87
Electric cabinet, front	Armoire électrique, avant	93
Electric cabinet, front	Armoire électrique, avant	95
*Motor	Moteur	97
Motor	Moteur	99
Motor	Moteur	101
Door	Plaque	103
Door, Hands-Off	Plaque, Hands-Off	105
Door lock	Serrure de porte	107
Door locking device, Hands-Off	Serrure de porte, Hands-Off	109
Turning device-door	Plaque-dispositif	111
Water connections	Raccords d'eau	113
Water connections 1 1/2"	Raccords eau d' 1 1/2"	115
Water connections 1 1/4"	Raccords eau d'1 1/4"	117
Water alternatives Lindström	Option eau Lindström	119
Water alternatives Lindström	Option eau Lindström	121
Drain valve	Vanne de vidange	123
Lubrication	Lubrification	125
Out of balance switch	Commutateur asymétrique	127
Sound insulation	Isolant sonore	129
Sound insulation	Isolant sonore	131
Dispensing components	Distributeur de savon	133
Dispensing components, side	Dispensing components, side	135
Steam components	Composants	137
Steam components	Composants	139
Steam components	Composant vapeur	141
Suspension	Ressorts de suspension	143
Suspension unit	Organe de suspension	145
Suspension unit	Organe de suspension	147
Level tube and test tap	Tuyau de niveau et robinet de test	149
Drain and hoses	Ecoulement et flexibles	151
Drain and hoses	Ecoulement et flexibles	153
Drain valve and hoses, water recovery	Purgeur et flexibles, recyclage	155
Drain valve and hoses, water recovery	Purgeur et flexibles, recyclage	157

EX6102cl,EX6135cl,EX6200cl,EX6250cl

Table of contents	Table des matières	Page/Page
Water recovery system	Recyclage de l'eau	159
Water recovery system	Recyclage de l'eau	161
Tilt, forward	Inclinable vers l'avant	163
Tilt, forward and forward/backward	Basculement, avant et avant/arrière	165
Weighing device	Unité de balance	167
Weighing device	Unité de balance	169
Loading hopper	Dispositif	171
Loading hopper	Dispositif	173
CMIS	CMIS	175
Inlet valve 3/4", 2-way	Soupape de admission 3/4", 2 voies	177
Inlet valve 3/4", 3-way	Soupape de admission 3/4", 3 voies	179



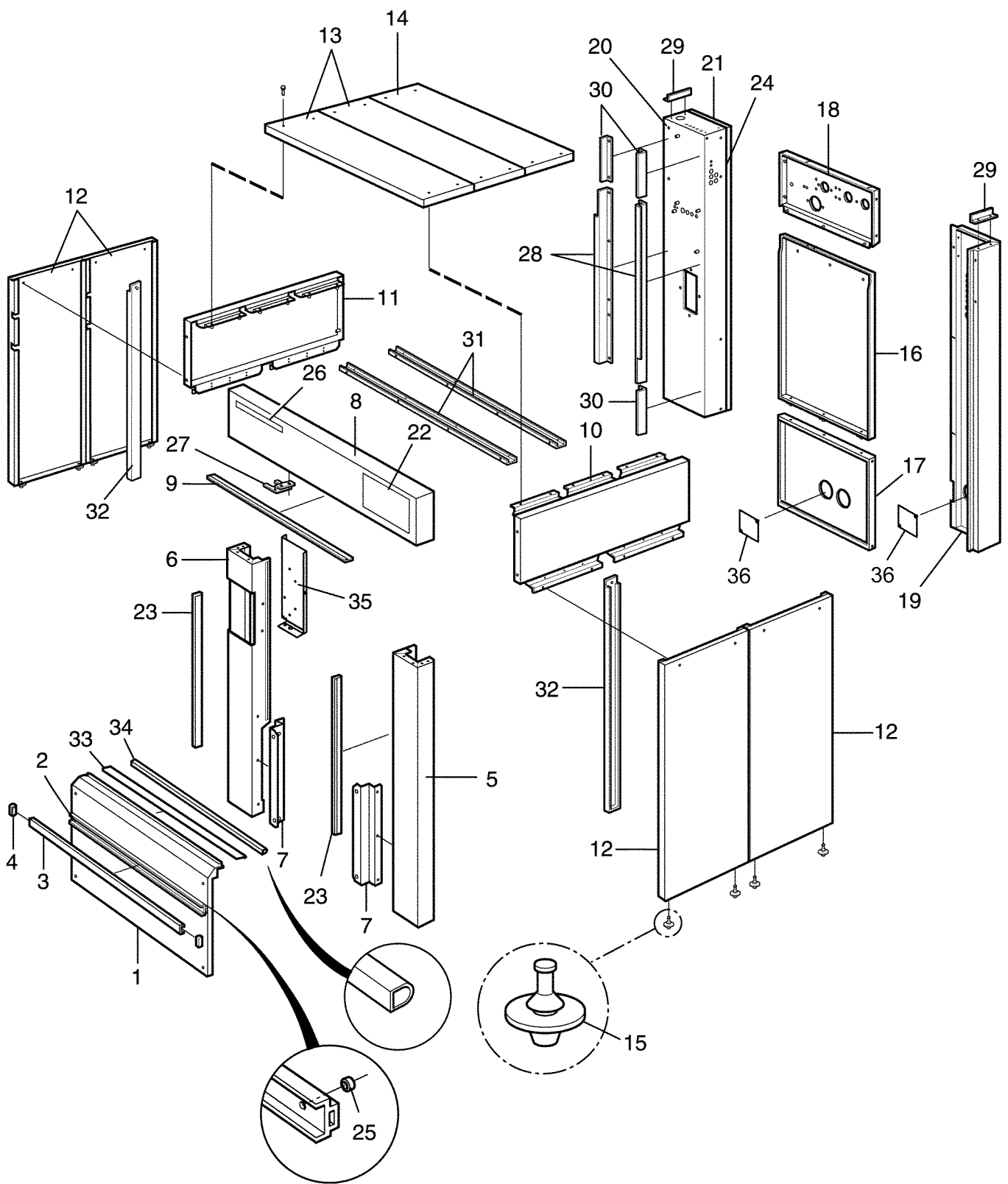
EX6102cl,EX6135cl

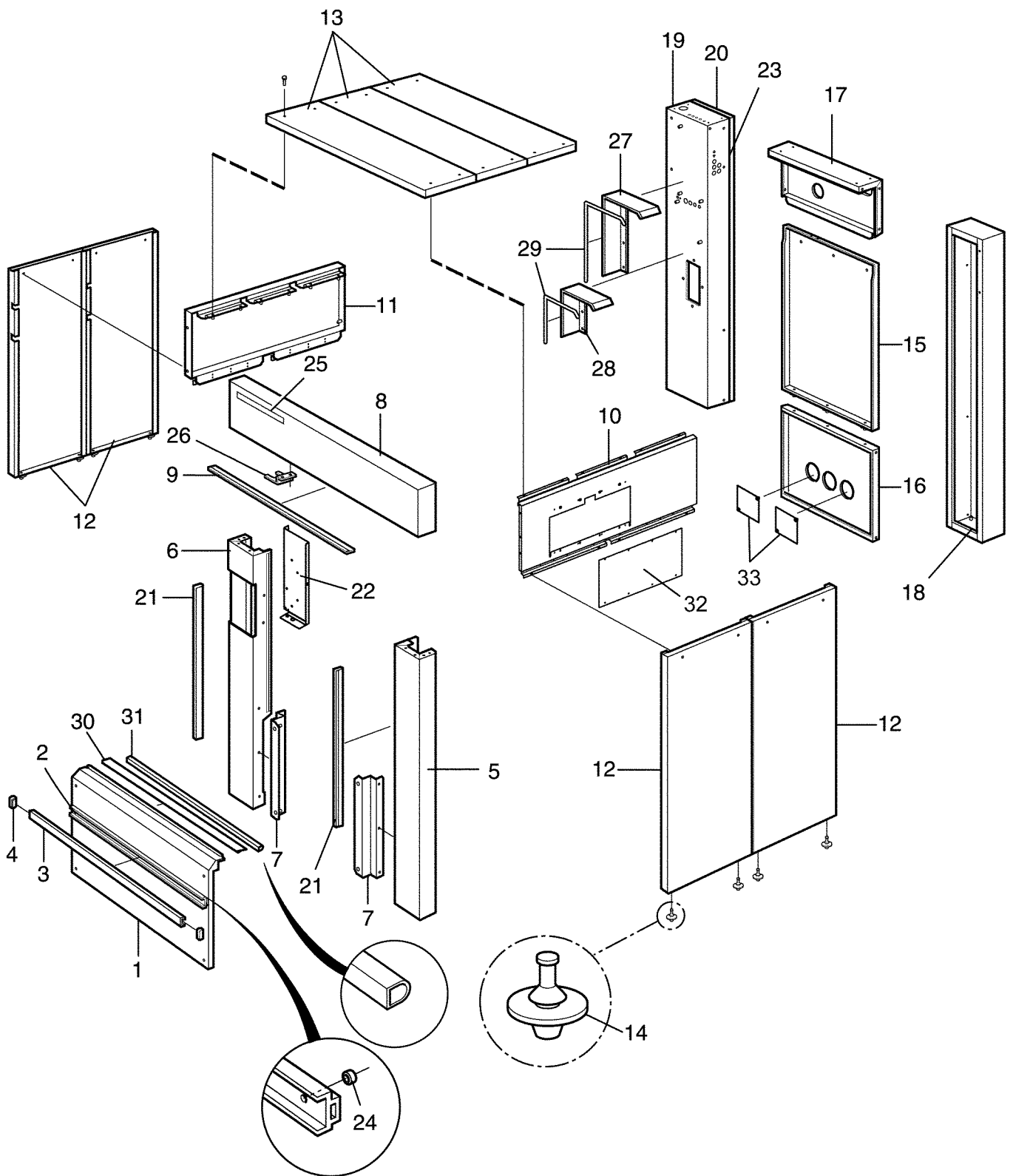
Panels

Plaques

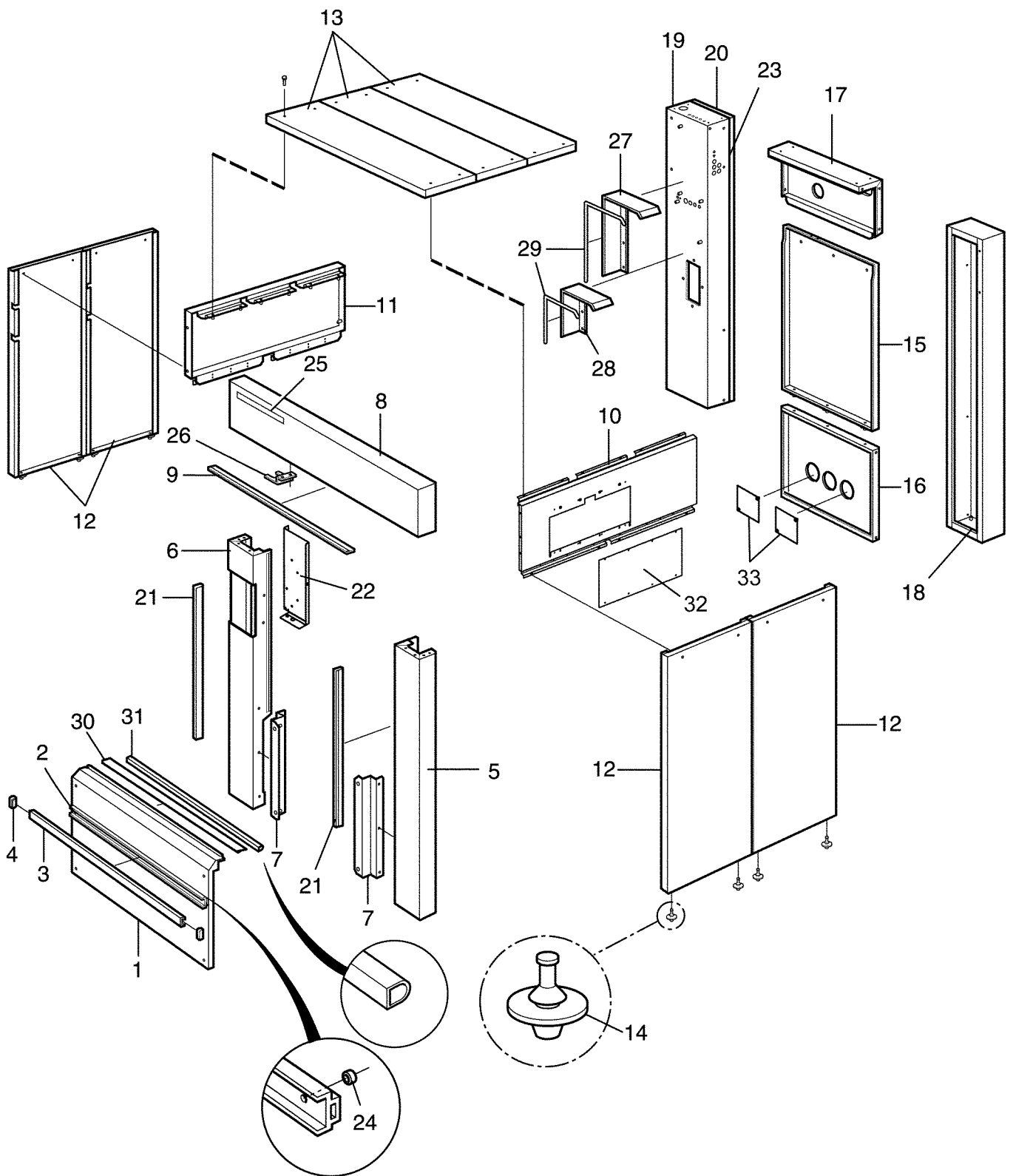
Illustration Issue Month Year
Schéma Issue Month Year
102364/1 6 11 2011

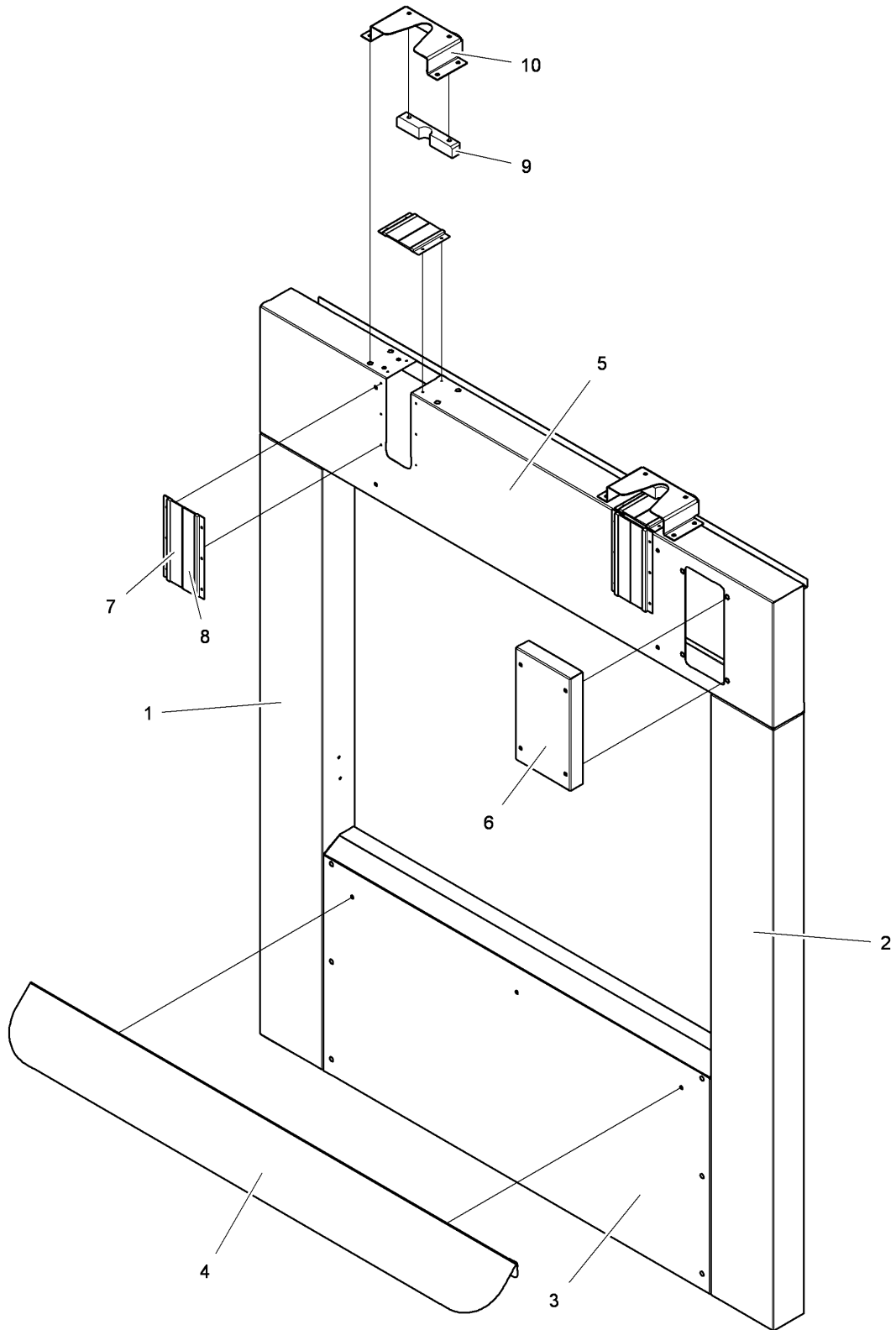
Item Article	Quantity Quantité	Art.No Réf. article	Description	Description	Info Info	Notes Remarques
			EX6102cl			
			EX6135cl			
1	1	438 5875-10	Front panel	Panneau avant	3	Lower
	1	438 5875-02	Front panel	Panneau avant	3	Lower
2	1	471 5560-00	Profile	Profilé	3	
3	1	471 5564-00	Safety strip	Lame sécurité plomb	3	
4	2	471 9204-93	Sleeve	Manchon	3	
5	1	438 5858-10	Pillar	Montant	3	Right
6	1	438 5859-10	Pillar	Montant	3	Left -980/001287
	1	438 6214-01	Pillar	Montant	3	Left 980/001288-
7	2	438 5883-01	Angle bracket	Angle	3	
8	1	438 5904-12	Front panel	Panneau avant	3	Light grey
	1	438 5904-13	Front panel	Panneau avant		Light grey Funnel
	1	438 5904-03	Front panel	Panneau avant	3	Light grey
	1	438 5904-11	Front panel	Panneau avant	3	Stainless
	1	438 5904-02	Front panel	Panneau avant	3	Stainless
9	1	432 2163-17	Rubber strip	Joint caoutchouc	3	
	1	432 2163-19	Rubber strip	Joint caoutchouc	3	
10	1	438 5940-05	Side panel	Panneau latéral	3	Light grey
	1	438 5871-07	Side panel	Panneau latéral	3	Light grey
	1	438 5940-02	Side panel	Panneau latéral	3	Stainless
	1	438 5871-02	Side panel	Panneau latéral	3	Stainless
	1	438 5940-06	Side panel	Panneau latéral	3	With detergent container
	1	438 5871-08	Side panel	Panneau latéral	3	Light grey With detergent container
	1	438 5940-04	Side panel	Panneau latéral	3	Light grey With detergent container
	1	438 5871-04	Side panel	Panneau latéral	3	Stainless With detergent container
	1	438 5871-05	Side panel	Panneau latéral	3	Left White
11	1	438 5941-02	Side panel	Panneau latéral	3	Light grey
	1	438 5861-04	Side panel	Panneau latéral	3	Light grey
	1	438 5941-02	Side panel	Panneau latéral	3	Light grey
	1	438 5861-02	Side panel	Panneau latéral	3	Stainless
	1	438 5861-03	Side panel	Panneau latéral	3	Left White
12	4	438 5942-05	Side panel	Panneau latéral	3	Light grey
	4	438 5863-07	Side panel	Panneau latéral	3	Light grey
	4	438 5942-02	Side panel	Panneau latéral	3	Stainless
	4	438 5863-02	Side panel	Panneau latéral	3	Stainless
	1	438 5863-08	Side panel	Panneau latéral	3	Level tube Light grey
	1	438 5863-04	Side panel	Panneau latéral	3	Level tube Stainless
	1	438 5942-06	Side panel	Panneau latéral	3	Test tap Light grey
	1	438 5942-04	Side panel	Panneau latéral	3	Test tap Stainless
	1	438 5863-05	Side panel	Panneau latéral	3	White
	1	438 5863-06	Side panel	Panneau latéral	3	Test tap White
13	2	438 5864-12	Top panel	Couvercle	3	Light grey
	2	438 5864-04	Top panel	Couvercle	3	Light grey
	2	438 5864-11	Top panel	Couvercle	3	Stainless
	2	438 5864-02	Top panel	Couvercle	3	Stainless
	2	438 5864-03	Top panel	Couvercle	3	White
14	1	438 5870-12	Top panel	Couvercle	3	Light grey
	1	438 5870-04	Top panel	Couvercle	3	Light grey
	1	438 5870-11	Top panel	Couvercle	3	Stainless
	1	438 5870-02	Top panel	Couvercle	3	Stainless
	1	438 5870-03	Top panel	Couvercle	3	White
15	12	432 0117-02	Rubber guide	Rubber guide	3	
16	1	438 5874-11	Rear panel	Panneau arrière	3	Light grey
	1	438 5874-03	Rear panel	Panneau arrière	3	Light grey





EX6200cl,EX6250cl				Illustration Schéma	Issue Issue	Month Month	Year Year
Panels				102391/1	6	11	2011
Item Article	Quantity Quantité	Art.No Réf. article	Description	Description	Info Info	Notes Remarques	
			EX6200cl				
			EX6250cl				
1	1	438 5957-01	Front panel	Panneau avant	3		
2	1	471 5560-00	Profile	Profilé	3		
3	1	471 5564-00	Safety strip	Lame sécurité plomb	3		
4	2	471 9204-93	Sleeve	Manchon	3		
5	1	438 5955-01	Pillar	Montant	3	Right	
6	1	438 5956-01	Pillar	Montant	3	Left -1220/000636	
	1	438 6213-01	Pillar	Montant	3	Left 1220/000637-	
7	2	432 5072-02	Angle bracket	Angle	3		
8	1	432 5067-07	Front panel	Panneau avant	3	Light grey	
	1	432 5067-02	Front panel	Panneau avant	3	Upper Stainless	
	1	432 5067-08	Front panel	Panneau avant	3	Light grey Soap box	
	1	432 5067-04	Front panel	Panneau avant	3	Stainless, upper Soap box	
9	Rq	432 2163-20	Rubber strip	Joint caoutchouc	3		
10	1	438 5978-05	Side panel	Panneau latéral	3	Upper, right Light grey	
	1	438 5978-06	Side panel	Panneau latéral	3	Upper, right Stainless	
		438 5978-15	Side panel	Panneau latéral	3	Upper, right Light grey	
		438 5978-16	Side panel	Panneau latéral	3	Upper, right Stainless	
11	1	432 0321-03	Side panel	Panneau latéral	3	Upper, left Light grey	
	1	432 0321-02	Side panel	Panneau latéral	3	Upper, left Stainless	
		432 0321-12	Side panel	Panneau latéral	3	Upper, left Light grey	
		432 0321-11	Side panel	Panneau latéral	3	Upper, left Stainless	
12	4	432 0322-05	Side panel	Panneau latéral	3	Lower Light grey	
	4	432 0322-02	Side panel	Panneau latéral	3	Lower Stainless	
		432 0322-14	Side panel	Panneau latéral	3	Lower Light grey	
		432 0322-11	Side panel	Panneau latéral	3	Lower Stainless	
	1	432 0322-06	Side panel	Panneau latéral	3	Lower, Grey, Level tube	
	1	432 0322-15	Side panel	Panneau latéral	3	Lower, Grey, Level tube	
	1	432 0322-04	Side panel	Panneau latéral	3	Lower, Stainless steel, Level tube	
		432 0322-13	Side panel	Panneau latéral	3	Lower, Stainless steel, Level tube	
13	3	432 0323-03	Top panel	Couvercle	3	Light grey	
	3	432 0323-02	Top panel	Couvercle	3	Stainless	
		432 0323-12	Top panel	Couvercle	3	Light grey	
		432 0323-11	Top panel	Couvercle	3	Stainless	
14	11	432 0117-02	Rubber guide	Rubber guide	3		
15	1	432 5086-02	Rear panel	Panneau arrière	3		
16	1	432 5087-03	Cover plate	Plaque recouvrement	3	-1220/000608	
	1	438 6208-01	Cover plate	Plaque recouvrement	3	1220/000609-	
17	1	432 5088-02	Cover plate	Plaque recouvrement	3	Upper 1 1/2"	
	1	438 6206-01	Cover plate	Plaque recouvrement	3	Upper 1 1/4"	
18	1	432 5080-05	Cover plate	Plaque recouvrement	3		
19	1	432 5090-03	Electric cabinet	Passage de câbles	3		
20	1	432 5094-02	Door	Porte	3		
	1	432 5094-04	Door	Porte	3	With fan	
	1	432 5100-02	Door	Porte	3	Without hinges	
21	2	432 2163-19	Rubber strip	Joint caoutchouc	3		
22	1	438 6215-02	Cover plate	Plaque recouvrement	3	1220/000637-	
23	Rq	432 0366-01	Rubber strip	Joint caoutchouc	3	Per 1 m	
24	3	432 0443-01	Spacer	Entretoise	3		
25	1	432 2616-12	Type plate	Numéro série plaque	3	W4850H	
	1	432 2616-22	Type plate	Numéro série plaque	3	EX6200cl	
		432 2616-13	Type plate	Numéro série plaque	3	W41100H	
		432 2616-23	Type plate	Numéro série plaque	3	EX6250cl	
26	1	432 0379-02	Lock guard	Pièce de protection	3		





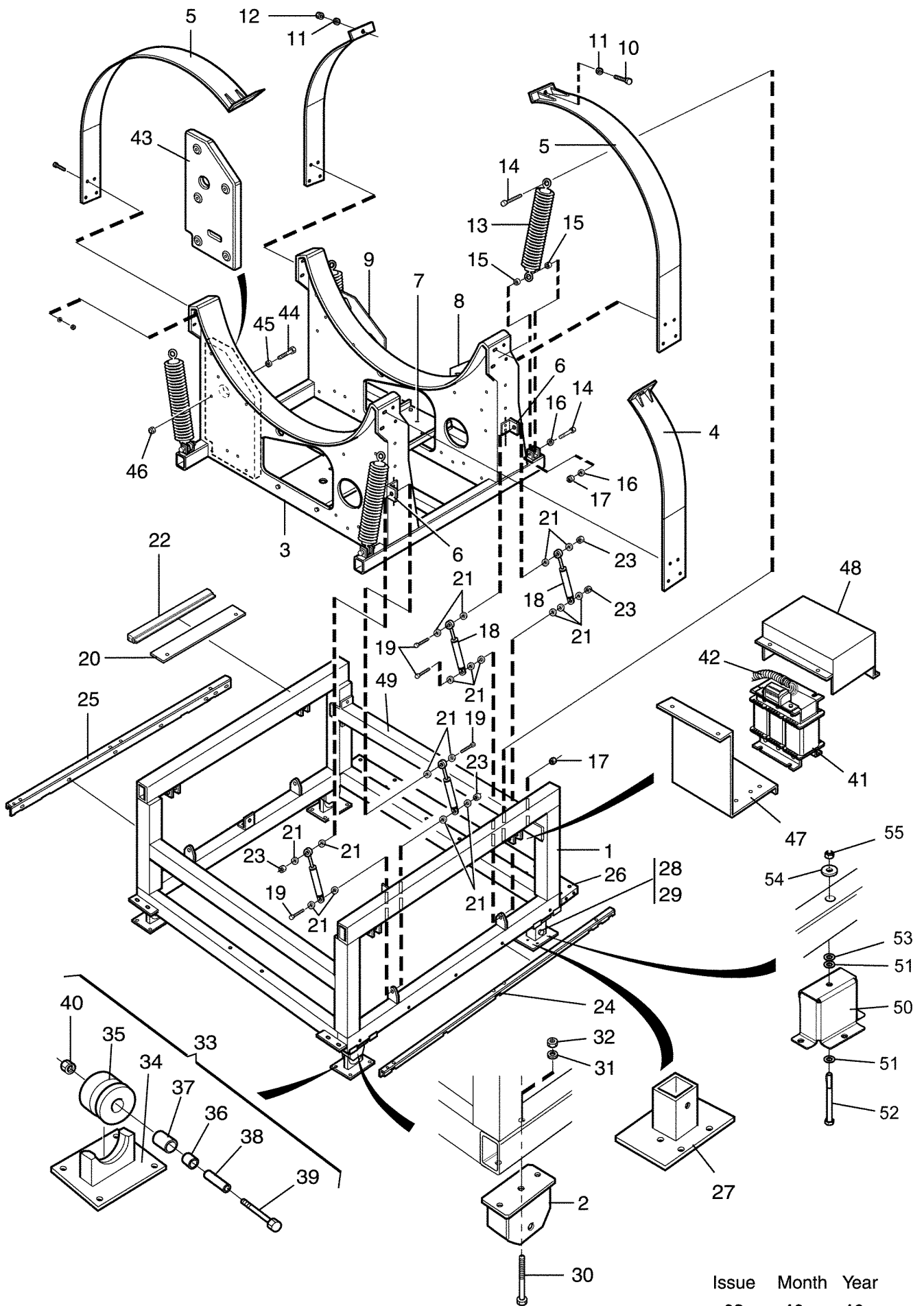
EX6200cl,EX6250cl

Panels, Hands-Off

Plaques, Hands-Off

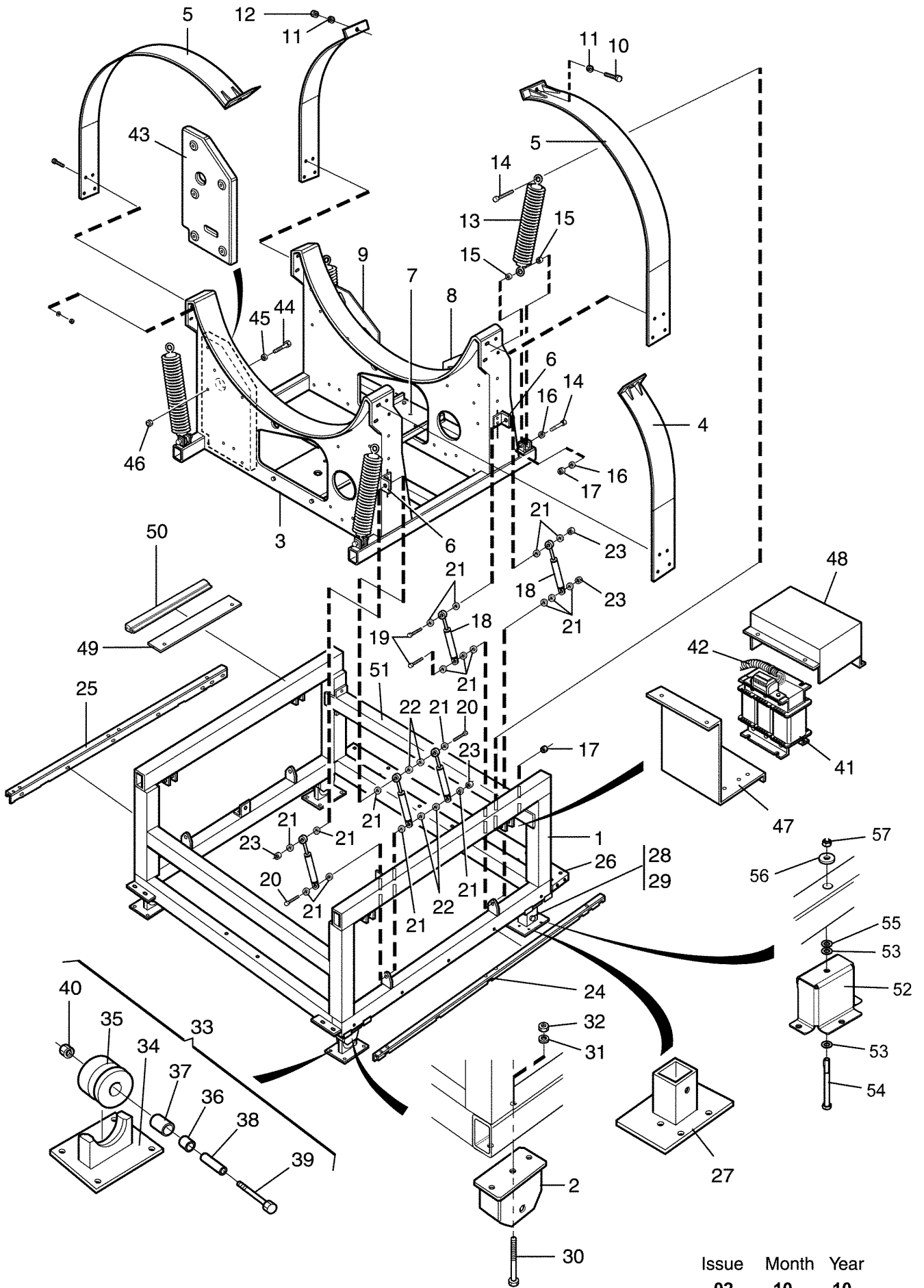
Illustration Issue Month Year
Schéma Issue Month Year
500133 1 12 2009

Item Article	Qua. Qua.	Art.No Réf. article	Description	Description	Info Info	Notes Remarques
1	1	438 5956-02	Pillar	Montant	3	Left
2	1	438 5955-01	Pillar	Montant	3	Right
3	1	438 5957-02	Front panel	Panneau avant	3	Lower
4	1	432 6434-01	Plate	Plaque	3	
5	1	432 5067-09	Front panel	Panneau avant	3	Upper
6	1	432 6463-03	Cover	Couvercle	3	
7	2	432 6467-01	Brush	Balai	1,2	Left
8	2	432 6467-02	Brush	Balai	1,2	Right
9	2	432 6472-01	Stop fastener	Fixation d'arrêt	3	
10	2	432 6471-02	Stop fastener	Fixation d'arrêt	3	



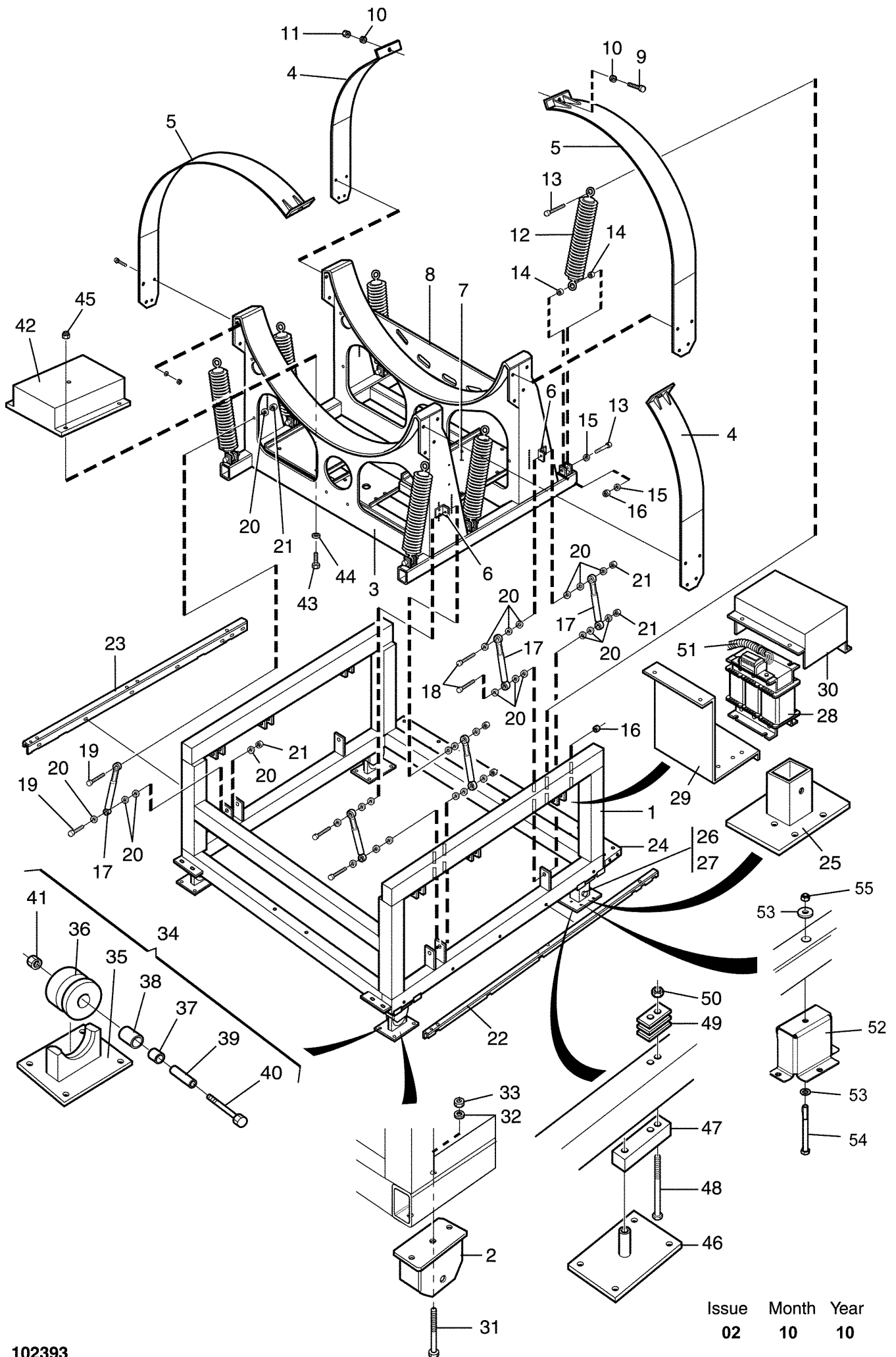
Issue Month Year
 02 10 10

EX6102cl				Illustration	Issue	Month	Year
Frame				Schéma	Issue	Month	Year
Base				102365/1	5	10	2010
Item	Qua.	Art.No	Description	Description	Info	Notes	
Article	Qua.	Réf. article			Info	Remarques	
1	1	438 5937-01	Outer frame	Châssis extérieur	3	-980/001282	
	1	438 5937-02	Outer frame	Châssis extérieur	3	980/001283-	
2	4	432 0008-01	Foot	Pied	3	Upper part, fixed/tilting	
	4	432 0008-03	Foot	Pied	3	Upper part, weighing device	
3	1	438 5936-01	Inner frame	Inner frame	3		
4	2	432 5142-01	Tension strap	Extenseur	3	Short	
5	2	432 5144-02	Tension strap	Extenseur	3	Long	
6	4	432 0021-02	Bracket	Support de montage	3		
7	1	438 5836-02	Motor mounting plate	Châssis montage moteur	3		
8	1	438 5895-03	Bracket	Support	3		
9	1	438 5895-04	Bracket	Support	3		
10	2	725 2632-51	Screw	Vis	3	M16X60	
11	4	734 1186-01	Washer	Rondelle	3	BRB 17X30	
12	2	732 2124-01	Locking nut	Contre-écrou	3	M16	
13			Suspension unit	Organe de suspension		See illustr. 102373, 500219	
14	8	725 2544-51	Screw	Vis	3	M12X60	
15	16	472 6256-02	Spacer	Entretoise	3		
16	16	734 1178-01	Washer	Rondelle	3	BRB 13X24	
17	8	732 2122-01	Locking nut	Contre-écrou	3	M12	
18	8	471 8259-01	Shock absorber	Frotteurs	1,2		
19	8	725 2466-51	Screw	Vis	3	M8X75	
20						Not used	
21	32	471 8502-14	Washer	Rondelle	3	BRB 8,4X17	
22						Not used	
23	8	732 2118-01	Locking nut	Contre-écrou	3	M8	
24	1	438 5880-10	Angular support	Support angulaire	3	Right	
25	1	438 5880-11	Angular support	Support angulaire	3	Left	
26	1	438 5879-10	Support	Support	3		
27	4	472 6817-01	Foot	Pied	3	-980/001139	
28	4	725 2636-51	Screw	Vis	3	M16X80	
29	4	732 2124-01	Locking nut	Contre-écrou	3	M16	
30	4	725 2548-51	Screw	Vis	3	M12X80	
31	4	471 9073-59	Washer	Rondelle	3	TBRBS 13X36	
32	4	732 2122-01	Locking nut	Contre-écrou	3	M12	
33	4	472 6818-03	Foot	Pied	3	Complete	
34	1	472 6812-01	•Bracket	•Support de montage	3		
35	1	472 6810-01	•Wheel	•Roue	3		
36	1	471 8576-03	•Bushing	•Douille	3	20/28X20	
37	1	471 8576-04	•Bushing	•Douille	3	20/28X30	
38	1	472 6814-01	•Bushing	•Douille	3		
39	1	725 2636-51	•Screw	•Vis	3	M16X80	
40	1	732 2124-01	•Locking nut	•Contre-écrou	3	M16	
41	1	438 9553-01	Transformer	Transformateur	1	Primary 440-480V	
	1	438 9571-01	Transformer	Transformateur	1	Primary 208-240V	
42	1	438 7302-66	Cable set	Jeu de câbles	3		
43	2	438 5891-01	Counterweight	Contrepoids	3		
44	10	725 2503-51	Screw	Vis	3	10X60	
45	10	734 1173-01	Washer	Rondelle	3	BRB 10,5X21	
46	10	732 2120-01	Locking nut	Contre-écrou	3	M10	
47	1	432 0374-02	Bracket	Pupitre	3		
48	1	432 0397-02	Cover	Couvercle	3		
49	1	438 5848-02	Beam	Poutre	3		
50	1	438 6210-01	Foot	Pied	3	980/001140-	
51	8	734 1178-01	Washer	Rondelle	3	BRB 13X24 980/001140-	
52	4	725 2540-51	Screw	Vis	3	M12X40 980/001140-	
53	4	734 1186-01	Washer	Rondelle	3	BRB 17X30 980/001140-	
54	4	471 9073-59	Washer	Rondelle	3	TBRBS 13X36 980/001140-	
55	4	732 2122-01	Locking nut	Contre-écrou	3	M12 980/001140-	



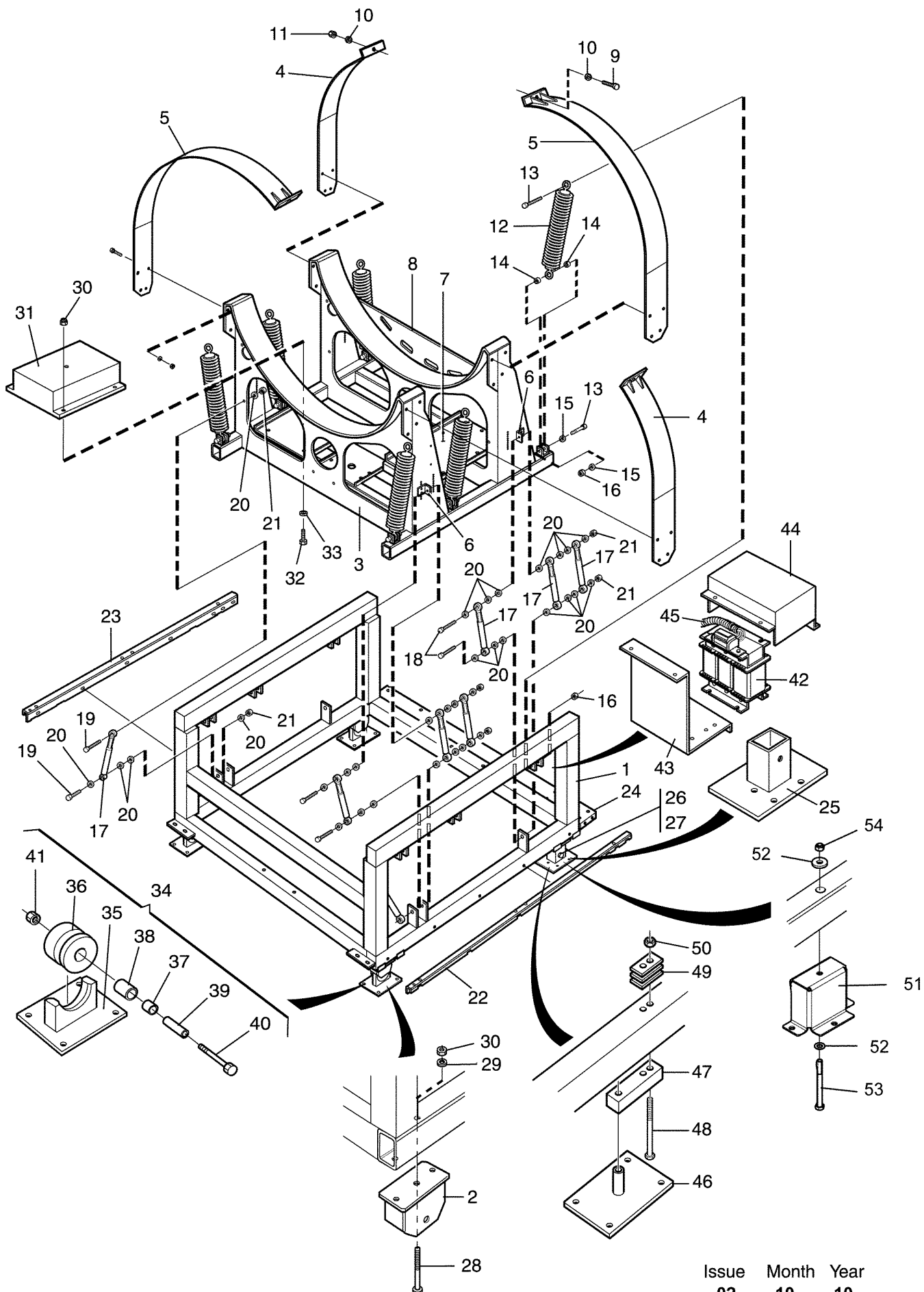
Issue Month Year
 02 10 10

EX6135cl				Illustration	Issue	Month	Year
Frame				Schéma	Issue	Month	Year
Base				102392/1	4	10	2010
Item	Qua.	Art.No	Description	Description	Info	Notes	
Article	Qua.	Réf. article			Info	Remarques	
1	1	438 5840-01	Outer frame	Châssis extérieur	3		
2	4	432 0008-01	Foot	Pied	3	Upper part, fixed/tilting	
	4	432 0008-03	Foot	Pied	3	Upper part, weighing device	
3	1	438 5830-01	Inner frame	Inner frame	3		
4	2	432 5142-01	•Tension strap	•Extenseur	3	Short	
5	2	432 5144-01	•Tension strap	•Extenseur	3		
6	4	432 0021-02	•Bracket	•Support de montage	3		
7	1	438 5836-01	•Motor mounting plate	•Châssis montage moteur	3		
8	1	438 5895-01	•Bracket	•Support	3	Left	
9	1	438 5895-02	•Bracket	•Support	3	Right	
10	2	725 2632-51	•Screw	•Vis	3	M16X60	
11	4	734 1186-01	•Washer	•Rondelle	3	BRB 17X30	
12	2	732 2124-01	•Locking nut	•Contre-écrou	3	M16	
13	4		Suspension unit	Organe de suspension	3	Complete	
14	8	725 2544-51	Screw	Vis	3	M12X60	
15	16	472 6256-02	Spacer	Entretoise	3		
16	16	734 1178-01	Washer	Rondelle	3	BRB 13X24	
17	8	732 2122-01	Locking nut	Contre-écrou	3	M12	
18	10	471 8259-10	Shock absorber	Frotteurs	1,2		
19	4	725 2466-51	Screw	Vis	3	M8X75	
20	4	725 2475-51	Screw	Vis	3	M8X120	
21	32	471 8502-14	Washer	Rondelle	3	BRB 8,4X17	
22	8	471 9019-34	Washer	Rondelle	3	TBRBSB 8,4X26	
23	8	732 2118-01	Locking nut	Contre-écrou	3	M8	
24	1	438 5880-01	Angular support	Support angulaire	3	Right	
25	1	438 5880-02	Angular support	Support angulaire	3	Left	
26	1	438 5879-01	Shelf	Tablette	3		
27	4	472 6817-01	Foot	Pied	3	-980/001139	
28	4	725 2636-51	Screw	Vis	3	M16X80	
29	4	732 2124-01	Locking nut	Contre-écrou	3	M16	
30	4	725 2558-51	Screw	Vis	3	M12X130	
31	4	471 9073-59	Washer	Rondelle	3	TBRBSB 13X36	
32	4	732 2122-01	Locking nut	Contre-écrou	3	M12	
33	4	472 6818-03	Foot	Pied	3	Complete	
34	4	472 6812-01	•Bracket	•Support de montage	3		
35	4	472 6810-01	•Wheel	•Roue	3		
36	4	471 8576-03	•Bushing	•Douille	3	20/28X20	
37	4	471 8576-04	•Bushing	•Douille	3	20/28X30	
38	4	472 6814-01	•Bushing	•Douille	3		
39	4	725 2636-51	•Screw	•Vis	3	M16X80	
40	4	732 2124-01	•Locking nut	•Contre-écrou	3	M16	
41	1	438 9549-01	Transformer	Transformateur	1	Primary 200-240V	
	1	438 9553-01	Transformer	Transformateur	1	Primary 440-480V	
42	1	438 7302-66	Cable set	Jeu de câbles	3		
43	2	438 5891-01	Counterweight	Contrepoids	3		
44	10	725 2503-51	Screw	Vis	3	10X60	
45	10	734 1173-01	Washer	Rondelle	3	BRB 10,5X21	
46	10	732 2120-01	Locking nut	Contre-écrou	3	M10	
47	1	432 0374-02	Bracket	Pupitre	3		
48	1	432 0397-02	Cover	Couvercle	3		
49						Not used	
50						Not used	
51	1	438 5848-01	Beam	Poutre	3		
52	4	438 6210-01	Foot	Pied	3	980/001140-	
53	8	734 1178-01	Washer	Rondelle	3	BRB 13X24 980/001140-	
54	4	725 2558-51	Screw	Vis	3	M12X130 980/001140-	
55	4	734 1186-01	Washer	Rondelle	3	BRB 17X30 980/001140-	
56	4	471 9073-59	Washer	Rondelle	3	TBRBSB 13X36 980/001140-	
57	4	732 2122-01	Locking nut	Contre-écrou	3	M12 980/001140-	



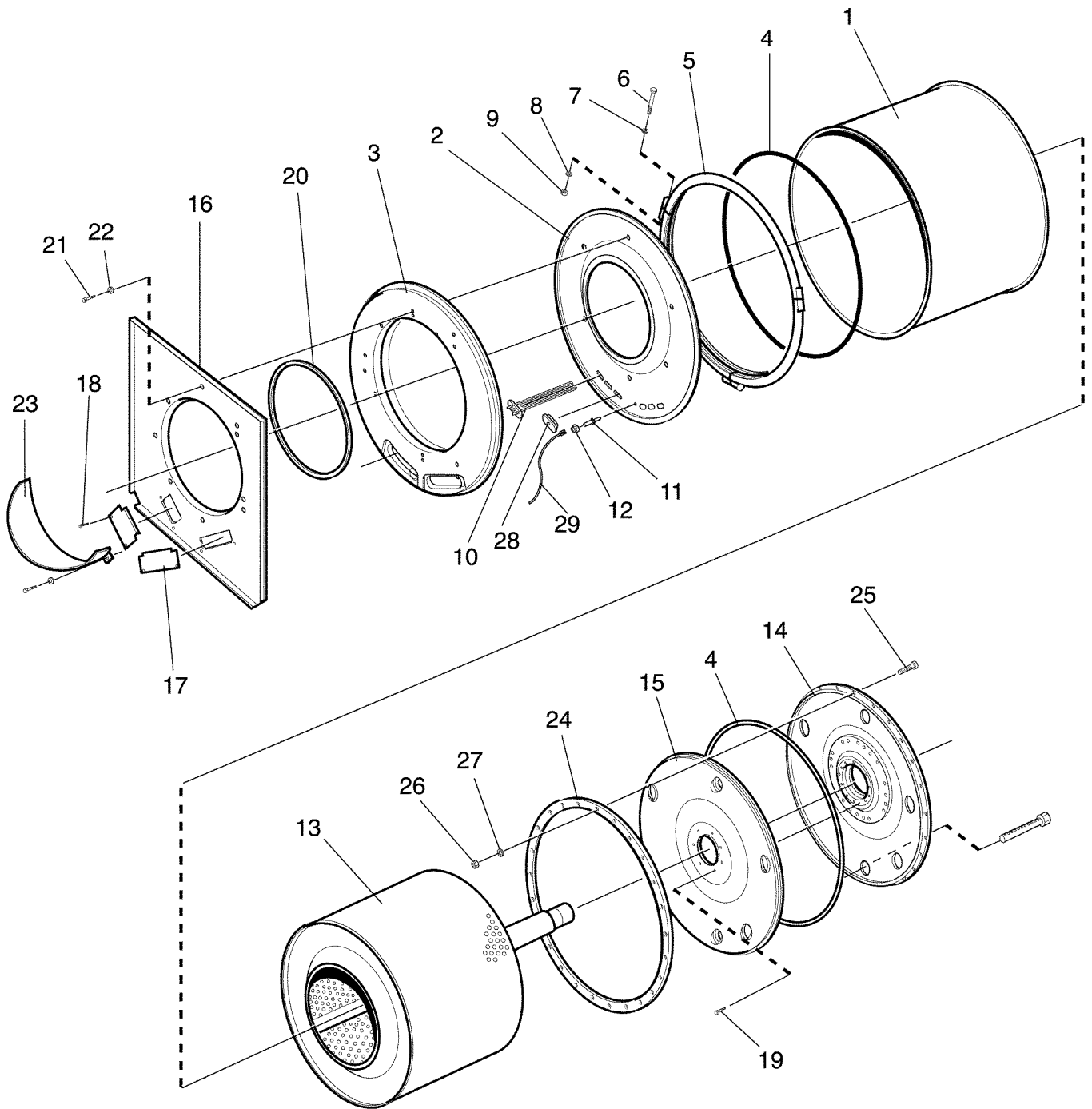
Issue Month Year
02 10 10

EX6200cl				Illustration	Issue	Month	Year
Frame				Schéma	Issue	Month	Year
Base				102393/1	6	12	2010
Item	Qua.	Art.No	Description	Description	Info	Notes	
Article	Qua.	Réf. article			Info	Remarques	
1	1	432 0324-01	Outer frame	Châssis extérieur	3		
2	4	432 0008-01	Foot	Pied	3	Upper part, fixed/tilting	
	4	432 0008-03	Foot	Pied	3	Upper part, weighing device	
3	1	432 0344-01	Inner frame	Inner frame	3		
4	2	432 5034-01	•Tension strap	•Extenseur	3	Short	
5	2	432 5036-01	•Tension strap	•Extenseur	3	Long	
6	4	432 0021-02	•Bracket	•Support de montage	3		
7	1	432 0350-01	•Motor mounting plate	•Châssis montage moteur	3		
8	1	432 5039-01	•Bracket	•Support	3		
9	2	725 2632-51	•Screw	•Vis	3	M16X60	
10	4	734 1186-01	•Washer	•Rondelle	3	BRB 17X30	
11	2	732 2124-01	•Locking nut	•Contre-écrou	3	M16	
12	6		Suspension unit	Organe de suspension	3	Complete	
13	12	725 2544-51	Screw	Vis	3	M12X60	
14	24	472 6256-02	Spacer	Entretoise	3		
15	12	734 1178-01	Washer	Rondelle	3	BRB 13X24	
16	12	732 2122-01	Locking nut	Contre-écrou	3	M12	
17	10	471 8259-01	Shock absorber	Frotteurs	1,2		
18	8	725 2466-51	Screw	Vis	3	M8X75	
19	4	725 2461-51	Screw	Vis	3	M8X50	
20	56	471 8502-14	Washer	Rondelle	3	BRB 8,4X17	
21	12	732 2118-01	Locking nut	Contre-écrou	3	M8	
22	1	432 0334-01	Angular support	Support angulaire	3	Right	
23	1	432 0334-02	Angular support	Support angulaire	3	Left	
24	1	432 0335-01	Shelf	Tablette	3		
25	4	472 6817-01	Foot	Pied	3	-1220/000608	
26	4	725 2636-51	Screw	Vis	3	M16X80	
27	4	732 2124-01	Locking nut	Contre-écrou	3	M16	
28	1	438 9551-01	Transformer	Transformateur	1	Primary 200-240V	
	1	438 9552-01	Transformer	Transformateur	1	Primary 440-480V	
29	1	432 0374-01	Bracket	Pupitre	3		
30	1	432 0397-01	Cover	Couvercle	3		
31	4	725 2558-51	Screw	Vis	3	M12X130	
	4	725 2538-51	Screw	Vis	3	M12X35 Weighing device	
32	4	471 9073-59	Washer	Rondelle	3	TBRBSB 13X36	
33	4	732 2122-01	Locking nut	Contre-écrou	3	M12	
34	4	472 6818-03	Foot	Pied	3	Complete	
35	4	472 6812-01	•Bracket	•Support de montage	3		
36	4	472 6810-01	•Wheel	•Roue	3		
37	4	471 8576-03	•Bushing	•Douille	3	20/28X20	
38	4	471 8576-04	•Bushing	•Douille	3	20/28X30	
39	4	472 6814-01	•Bushing	•Douille	3		
40	4	725 2636-51	•Screw	•Vis	3	M16X80	
41	4	732 2124-01	•Locking nut	•Contre-écrou	3	M16	
42	1	432 0318-01	Counterweight	Contrepoids	3		
43	4	725 2544-51	Screw	Vis	3	M12X60	
44	4	734 1178-01	Washer	Rondelle	3	BRB 13X24	
45	4	732 2122-01	Locking nut	Contre-écrou	3	M12	
46	4	432 0393-01	Foot	Pied	3	Lindström	
47	4	432 0394-01	Spacer	Entretoise	3	Lindström	
48	8	725 2559-51	Screw	Vis	3	M12X140 Lindström	
49	12	432 0493-01	Washer	Rondelle	3	Lindström	
50	8	732 2122-01	Locking nut	Contre-écrou	3	M12	
51	1	438 7302-73	Cable set	Jeu de câbles	3		
52	4	438 6210-01	Foot	Pied	3	1220/000609-	
53	8	471 9073-59	Washer	Rondelle	3	TBRBSB 13X36 1220/000609-	
54	4	725 2558-51	Screw	Vis	3	M12X130 1220/000609-	
55	4	732 2122-01	Locking nut	Contre-écrou	3	M12 1220/000609-	



Issue Month Year
 02 10 10

EX6250cl				Illustration	Issue	Month	Year
Frame				Schéma	Issue	Month	Year
Base				102394/1	11	12	2010
Item	Qua.	Art.No	Description	Description	Info	Notes	
Article	Qua.	Réf. article			Info	Remarques	
1	1	432 0324-10	Outer frame	Châssis extérieur	3		
2	4	432 0008-01	Foot	Pied	3	Upper part, fixed/tilting	
3	1	432 0344-10	Inner frame	Inner frame	3		
4	2	432 5034-01	•Tension strap	•Extenseur	3	Short	
5	2	432 5036-01	•Tension strap	•Extenseur	3	Long	
6	4	432 0021-02	•Bracket	•Support de montage	3		
7	1	432 0350-01	•Motor mounting plate	•Châssis montage moteur	3		
8	1	432 5039-01	•Bracket	•Support	3		
9	2	725 2632-51	•Screw	•Vis	3	M16X60	
10	4	734 1186-01	•Washer	•Rondelle	3	BRB 17X30	
11	2	732 2124-01	•Locking nut	•Contre-écrou	3	M16	
12	6		Suspension unit	Organe de suspension	3	Complete	
13	12	725 2544-51	Screw	Vis	3	M12X60	
14	24	472 6256-02	Spacer	Entretoise	3		
15	12	734 1178-01	Washer	Rondelle	3	BRB 13X24	
16	12	732 2122-01	Locking nut	Contre-écrou	3	M12	
17	14	471 8259-10	Shock absorber	Frotteurs	1,2		
18	8	725 2475-51	Screw	Vis	3	M8X120	
19	4	725 2464-51	Screw	Vis	3	M8X65	
20	56	471 8502-14	Washer	Rondelle	3	BRB 8,4X17	
21	12	732 2118-01	Locking nut	Contre-écrou	3	M8	
22	1	432 0334-10	Angular support	Support angulaire	3		
23	1	432 0334-11	Angular support	Support angulaire	3		
24	1	432 0335-01	Shelf	Tablette	3		
25	4	472 6817-01	Foot	Pied	3	-1220/000608	
26	4	725 2636-51	Screw	Vis	3	M16X80	
27	4	732 2124-01	Locking nut	Contre-écrou	3	M16	
28	4	725 2558-51	Screw	Vis	3	M12X130	
	4	725 2538-51	Screw	Vis	3	M12X35 Weighing device	
29	4	471 9073-59	Washer	Rondelle	3	TBRBSB 13X36	
30	8	732 2122-01	Locking nut	Contre-écrou	3	M12	
31	1	432 0318-01	Counterweight	Contrepoids	3		
32	4	725 2544-51	Screw	Vis	3	M12X60	
33	4	734 1178-01	Washer	Rondelle	3	BRB 13X24	
34	4	472 6818-03	Foot	Pied	3	Complete	
35	4	472 6812-01	•Bracket	•Support de montage	3		
36	4	472 6810-01	•Wheel	•Roue	3		
37	4	471 8576-03	•Bushing	•Douille	3	20/28X20	
38	4	471 8576-04	•Bushing	•Douille	3	20/28X30	
39	4	472 6814-01	•Bushing	•Douille	3		
40	4	725 2636-51	•Screw	•Vis	3	M16X80	
41	4	732 2124-01	•Locking nut	•Contre-écrou	3	M16	
42	1	438 9551-01	Transformer	Transformateur	1	Primary 200-240V	
	1	438 9552-01	Transformer	Transformateur	1	Primary 440-480V	
43	1	432 0374-01	Bracket	Pupitre	3		
44	1	432 0397-01	Cover	Couvercle	3		
45	1	438 7302-73	Cable set	Jeu de câbles	3		
46	4	432 0393-01	Foot	Pied	3	Lindström	
47	4	432 0394-01	Spacer	Entretoise	3	Lindström	
48	8	725 2559-51	Screw	Vis	3	M12X140 Lindström	
49	12	432 0493-01	Washer	Rondelle	3	Lindström	
50	8	732 2122-01	Locking nut	Contre-écrou	3	M12	
51	4	438 6210-01	Foot	Pied	3	1220/000609-	
52	8	471 9073-59	Washer	Rondelle	3	TBRBSB 13X36 1220/000609-	
53	4	725 2558-51	Screw	Vis	3	M12X130 1220/000609-	
54	4	732 2122-01	Locking nut	Contre-écrou	3	M12 1220/000609-	



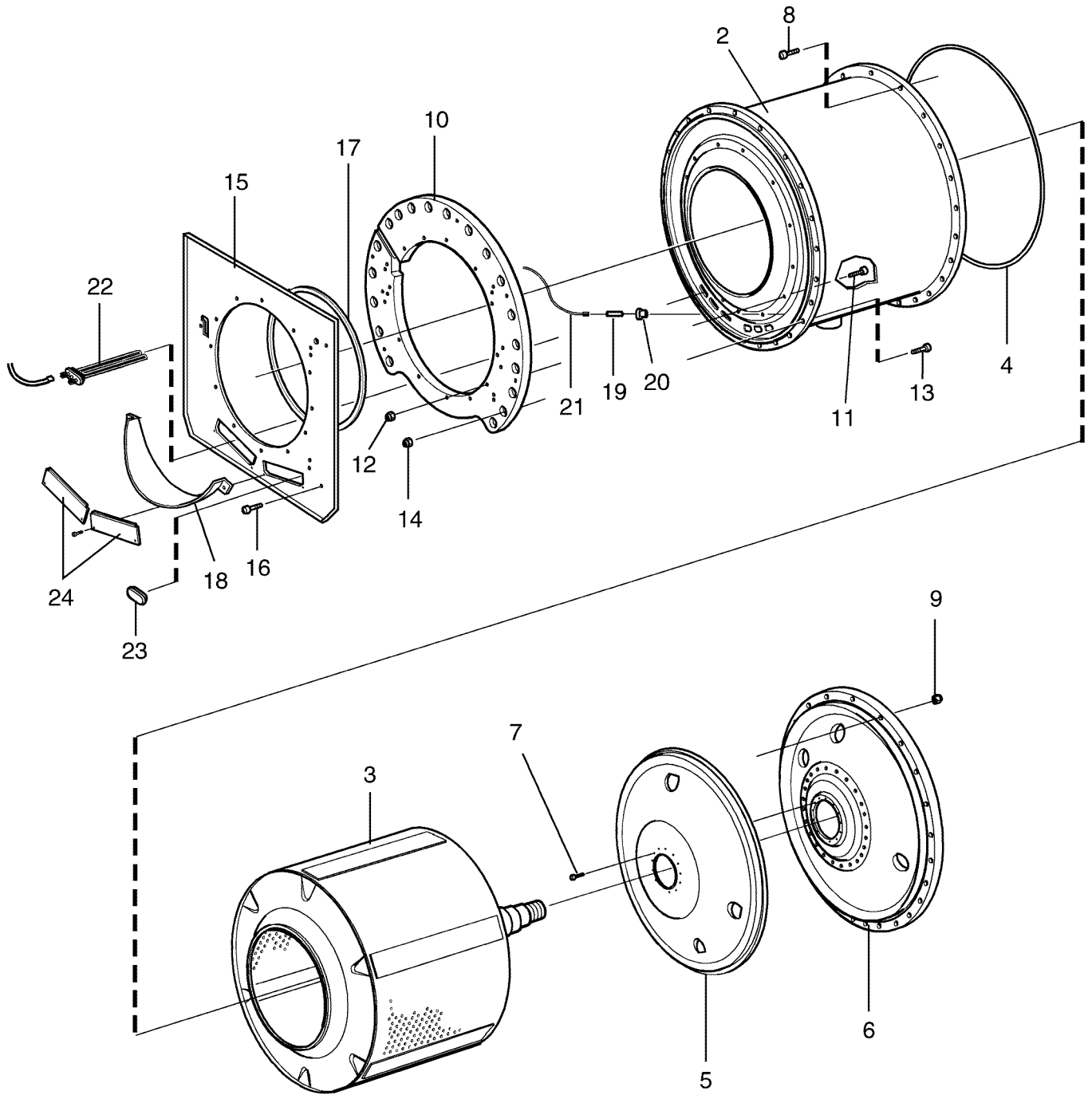
Issue	Month	Year
02	09	11

EX6102cl**Outer and inner drum****Tambour extérieur et intérieur**

Illustration	Issue	Month	Year
Schéma	Issue	Month	Year
102366/1	6	9	2011

Item Article	Qua. Qua.	Art.No Réf. article	Description	Description	Info Info	Notes Remarques
1	1	432 0083-02	Outer drum	Extérieur du tambour	3	
2	1	472 6212-03	End piece	Pignon	3	
3	1	438 4970-03	Counterweight	Contrepoids	3	
4	2	471 4009-60	Gasket	Bande de garniture	3	
5	3	438 4994-01	Stretching device	Dispositif tendeur	3	
6	3	725 2518-51	Screw	Vis	3	M6S 10X140
7	3	734 1173-01	Washer	Rondelle	3	BRB 10,5X21
8	3	734 1173-01	Washer	Rondelle	3	BRB 10,5X21
9	3	732 2120-01	Locking nut	Contre-écrou	3	M10
10	6	471 9811-47	Heating element	Élément de chauffage	1,2	230V 6KW
	6	471 9811-48	Heating element	Élément de chauffage	1,2	254V 6KW
	6	471 9811-51	Heating element	Élément de chauffage	1,2	240V 6KW
	6	471 9811-49	Heating element	Élément de chauffage	1,2	277V 6KW
11	1	472 9913-22	Sensor	Capteur	1,2	Complete
12	1	471 8192-01	•Bushing	•Douille	3	
13	1	438 4977-03	Inner drum	Intérieur du tambour	3	
14	1	438 4998-03	Back plate	Pignon arrière	3	
15	1	438 5938-01	Lining	Panneau de renfort	3	
16	1	438 5939-01	Trim panel	Panneau d'habillage	3	
17	2	432 0031-01	Cover plug	Couvre-bouchon	3	
18	4	725 2451-42	Screw	Vis	3	M8X20
19	8	471 8320-08	Screw	Vis	3	M8X12
20	1	471 2075-79	Strip	Ruban	3	
21	6	725 2451-42	Screw	Vis	3	M8X20
22	6	734 1164-09	Washer	Rondelle	3	BRB 8,4X17
23	1	432 0030-01	Unloading plate	Unloading plate	3	
24	1	432 0081-01	Ring	Anneau	3	
25	18	725 2501-81	Screw	Vis	3	M10X50
	2	725 2509-51	Screw	Vis	3	M10X90
	4	725 2503-81	Screw	Vis	3	M10x60
26	24	471 8409-05	Locking nut	Contre-écrou	3	M10
27	24	734 1173-01	Washer	Rondelle	3	BRB 10,5X21
28	6	471 4494-01	Blind flange	Bride d'obturation	3	
29	1	438 7300-42	Cable set	Jeu de câbles	3	Sensor, temp. -980/001287
	1	438 7302-83	Cable set	Jeu de câbles	3	Sensor, temp. 980/001288-

1



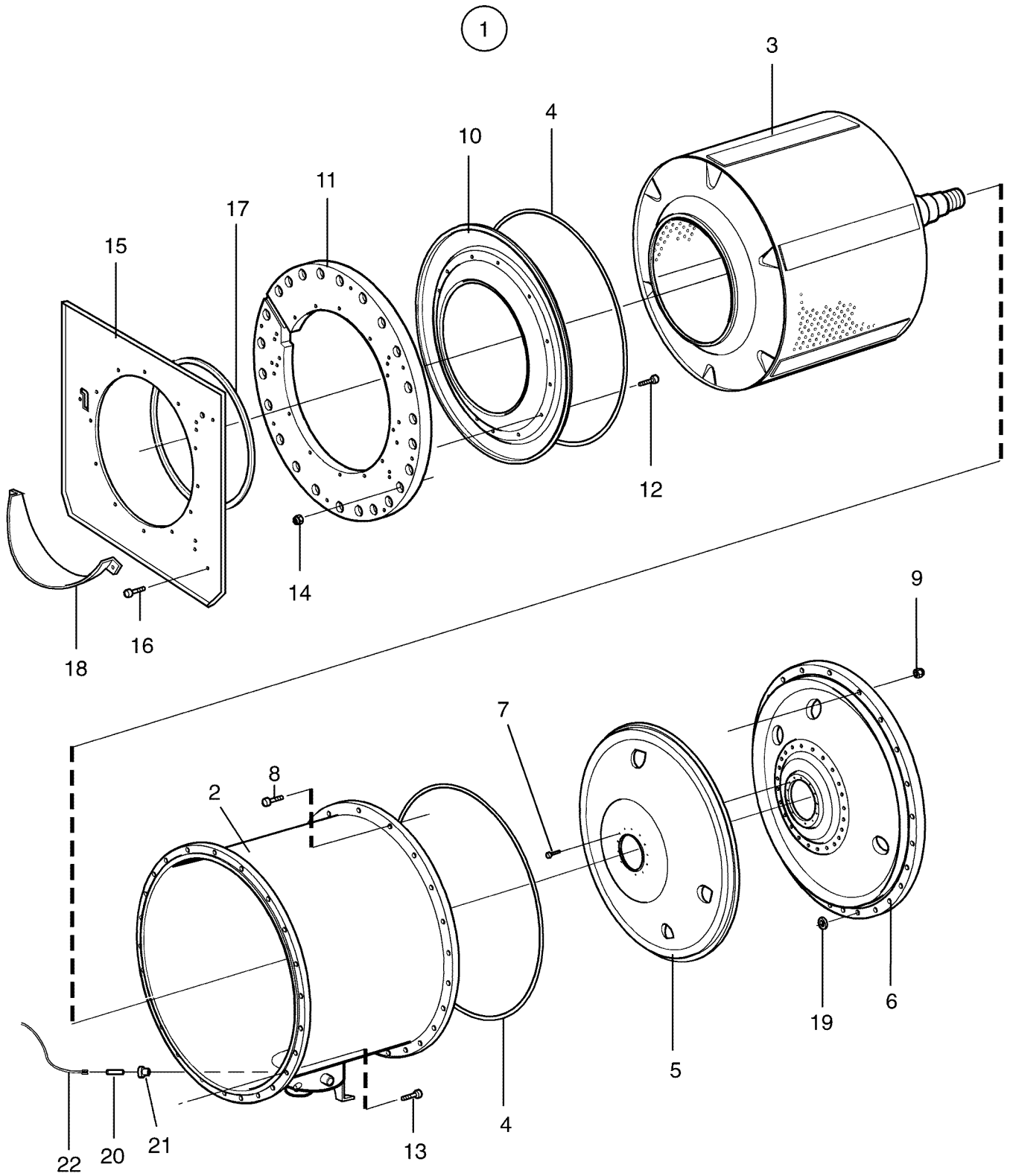
EX6135cl

Outer and inner drum

Tambour extérieur et intérieur

Illustration Issue Month Year
Schéma Issue Month Year
102395/1 2 9 2011

Item Article	Qua. Qua.	Art.No Réf. article	Description	Description	Info Info	Notes Remarques
1	1	438 5806-01	Drum	Tambour	3	Complete
2	1	438 5827-01	•Outer drum	•Extérieur du tambour	3	
3	1	438 5805-01	•Inner drum	•Intérieur du tambour	3	
4	1	471 4009-60	•Gasket	•Bande de garniture	1,2	
5	1	438 5898-01	•Lining	•Panneau de renfort	3	
6	1	432 5112-02	•Back plate	•Pignon arrière	3	
7	12	471 8320-08	•Screw	•Vis	3	M8X12
8	18	725 2501-81	•Screw	•Vis	3	M10X50
	6	725 2503-81	•Screw	•Vis	3	M10x60
9	24	471 8409-05	•Locking nut	•Contre-écrou	3	M10
10	1	438 5817-01	•End piece	•Pignon	3	Front
11	6	471 8320-12	•Screw	•Vis	3	M8X30
12	6	732 2118-01	•Locking nut	•Contre-écrou	3	M8
13	18	725 2501-51	•Screw	•Vis	3	M10X50
14	18	732 2120-01	•Locking nut	•Contre-écrou	3	M10
15	1	438 5893-01	•Trim panel	•Panneau d'habillage	3	
16	7	725 2451-42	•Screw	•Vis	3	M8X20
17	Rq	471 9004-81	•Rubber strip	•Joint caoutchouc	1,2	
18	1	432 0030-01	•Unloading plate	•Unloading plate	3	
19	1	472 9913-22	Sensor	Capteur	1,2	Complete
20	1	471 8192-01	•Bushing	•Douille	1	
21	1	438 7300-42	Cable set	Jeu de câbles	3	Sensor, temp. -980/001287
	1	438 7302-83	Cable set	Jeu de câbles	3	Sensor, temp. 980/001288-
22	6	471 9811-44	Heating element	Élément de chauffage	1,2	6.4kW 240V
	6	471 9811-45	Heating element	Élément de chauffage	1,2	6.4kW 254V
	6	471 9811-46	Heating element	Élément de chauffage	1,2	6.4kW 277V
	6	471 9811-39	Heating element	Élément de chauffage	1,2	9kW 230V
	6	471 9811-40	Heating element	Élément de chauffage	1,2	9kW 240V
	6	471 9811-41	Heating element	Élément de chauffage	1,2	9kW 254V
	6	471 9811-42	Heating element	Élément de chauffage	1,2	9kW 277V
23	6	471 4494-01	Blind flange	Bride d'obturation	3	
24	2	432 0031-01	Cover plug	Couvre-bouchon	3	



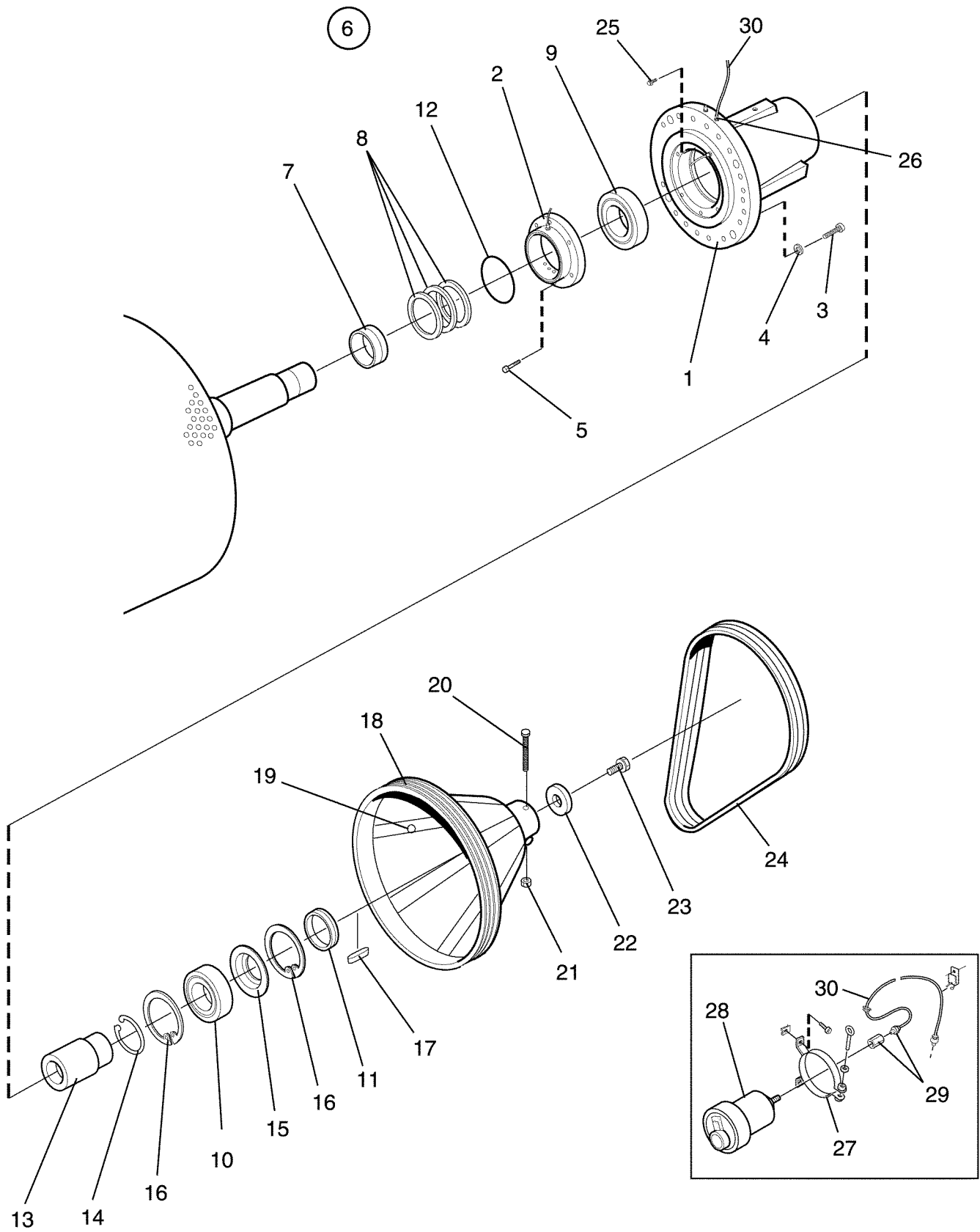
EX6200cl,EX6250cl

Outer and inner drum

Tambour extérieur et intérieur

Illustration Issue Month Year
Schéma Issue Month Year
102396/1 6 9 2011

Item Article	Quantity Quantité	Art.No Réf. article	Description	Description	Info Info	Notes Remarques
		EX6200cl				
		EX6250cl				
1	1	432 0306-01	Drum	Tambour	3	Complete
	1	432 0306-23	Drum	Tambour	3	Complete Hands-Off
	1	432 0306-10	Drum	Tambour	3	Complete
	1	432 0306-32	Drum	Tambour	3	Complete Hands-Off
2	1	432 0302-01	•Outer drum	•Tambour extérieur	3	
	1	432 0302-10	•Outer drum	•Tambour extérieur	3	
3	1	432 0305-02	•Inner drum	•Intérieur du tambour	3	
	1	432 0305-11	•Inner drum	•Intérieur du tambour	3	
4	2	471 8155-02	•Gasket	•Bande de garniture	1,2	
5	1	432 0307-01	•Lining	•Panneau de renfort	3	-1220/000484
	1	432 0307-11	•Lining	•Panneau de renfort	3	1220/000485-
6	1	432 5012-01	•Rear gable	•Pignon arrière	3	
7	12	471 8320-08	•Screw	•Vis	3	M8X12
8	22	725 2636-51	•Screw	•Vis	3	M16X80
	2	725 2640-51	•Screw	•Vis	3	M16X100
9	24	732 2124-01	•Locking nut	•Contre-écrou	3	M16
10	1	432 5015-01	•Lining	•Panneau de renfort	3	
11	1	432 5017-01	•End piece	•Pignon	3	Front
	1	432 5017-03	•End piece	•Pignon	3	Front Hands-Off
12	12	471 8320-08	•Screw	•Vis	3	M8X12
13	24	725 2634-51	•Screw	•Vis	3	M16X70
14	24	732 2124-01	•Locking nut	•Contre-écrou	3	M16
15	1	438 5962-01	•Trim panel	•Panneau d'habillage	3	
	1	438 5962-02	•Trim panel	•Panneau d'habillage	3	Hands-Off
16	12	725 2451-42	•Screw	•Vis	3	M8X20
17	1	471 8179-01	•Rubber strip	•Joint caoutchouc	1,2	
18	1	432 0315-01	•Unloading plate	•Unloading plate	3	
19	2	471 8502-29	•Washer	•Rondelle	3	
20	1	472 9913-22	Sensor	Capteur	1,2	Complete
21	1	471 8192-01	•Bushing	•Douille	1	
22	1	438 7300-42	Cable set	Jeu de câbles	3	Sensor, temp. -1220/000636
	1	438 7302-83	Cable set	Jeu de câbles	3	Sensor, temp. 1220/000637-



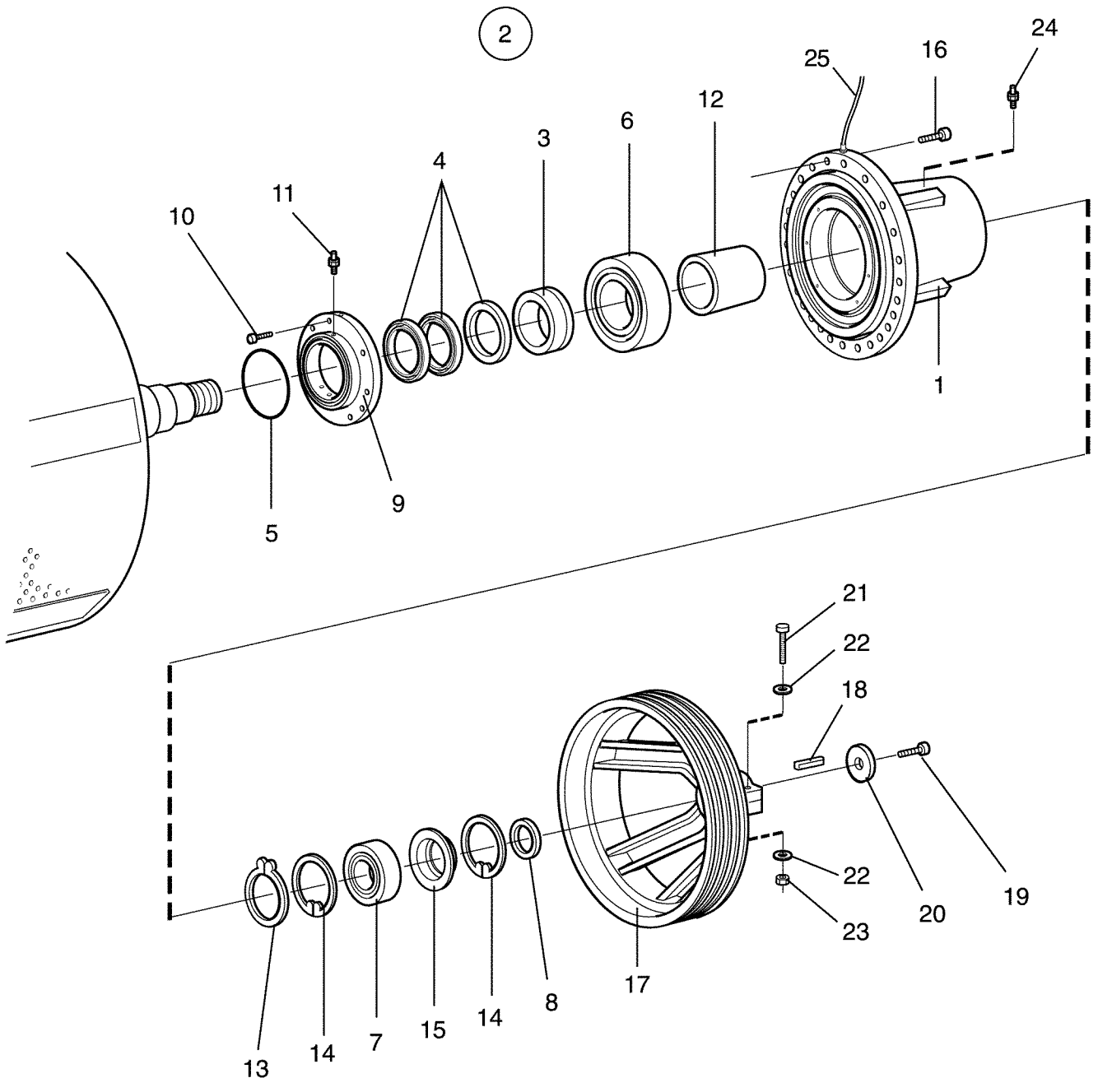
EX6102cl

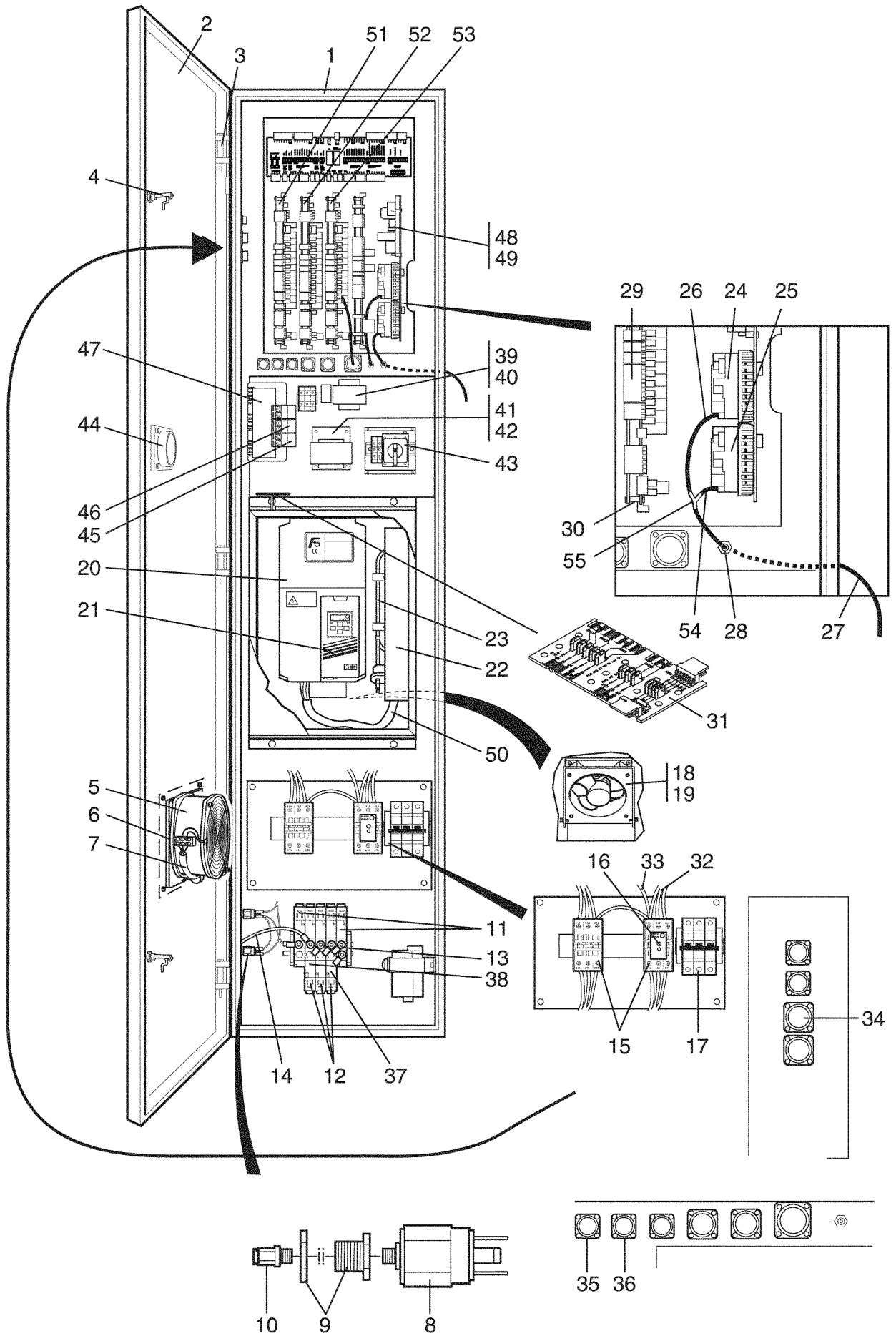
Bearing house with bearings

Logement de palier avec palier

Illustration Issue Month Year
Schéma Issue Month Year
102367/1 1 6 2006

Item Article	Qua. Qua.	Art.No Réf. article	Description	Description	Info Info	Notes Remarques
1	1	438 4999-03	Bearing housing	Logement de palier	3	
2	1	438 4975-02	Bearing cover	Chapeau de palier	3	
3	20	471 8328-04	Screw	Vis	3	M16X70
4	20	734 1186-01	Washer	Rondelle	3	BRB 17X30
5	6	725 2459-51	Screw	Vis	3	M8X40
6	1	438 4542-01	Bearing set	Jeu de coussinets	1,2	
7	1		•Bushing	•Douille		
8	3		•Seal	•Joint		
9	1		•Bearing	•Coussinet		
10	1		•Bearing	•Coussinet		
11	1		•Seal	•Joint		
12	1		•O-ring	•Joint torique		
13	1	438 4971-01	Spacer	Entretoise	3	
14	1	735 3166-00	C-clamp	Presse à main	3	SGA 105
15	1	438 4969-01	Cover plate	Plaque recouvrement	3	
16	1	735 3177-10	C-clamp	Presse à main	3	SGH150
17	1	735 9630-01	Wedge	Cale	3	18x11x63
18	1	438 4995-02	Pulley	Poulie	3	
20	1	725 2558-51	Screw	Vis	3	M12X130
21	1	732 2122-01	Locking nut	Contre-écrou	3	M12
22	1	471 2417-19	Washer	Rondelle	3	
23	1	725 2624-51	Screw	Vis	3	M16X30
24	1	471 7701-67	V-belt	Courroie trapézoïdale	1,2	Set of 3
25	1	471 8690-36	Nipple	Raccord	3	
26	1	471 8688-13	Nipple	Raccord	3	1/8"
27	1	471 8276-12	Bracket	Pièce de retenue	3	
28	1	471 8276-02	Pump	Pompe	1	
29	1	471 8690-72	Nipple	Raccord	3	Complete
30	RQ	471 8625-00	Hose	Flexible	1	





Issue Month Year
 03 12 10

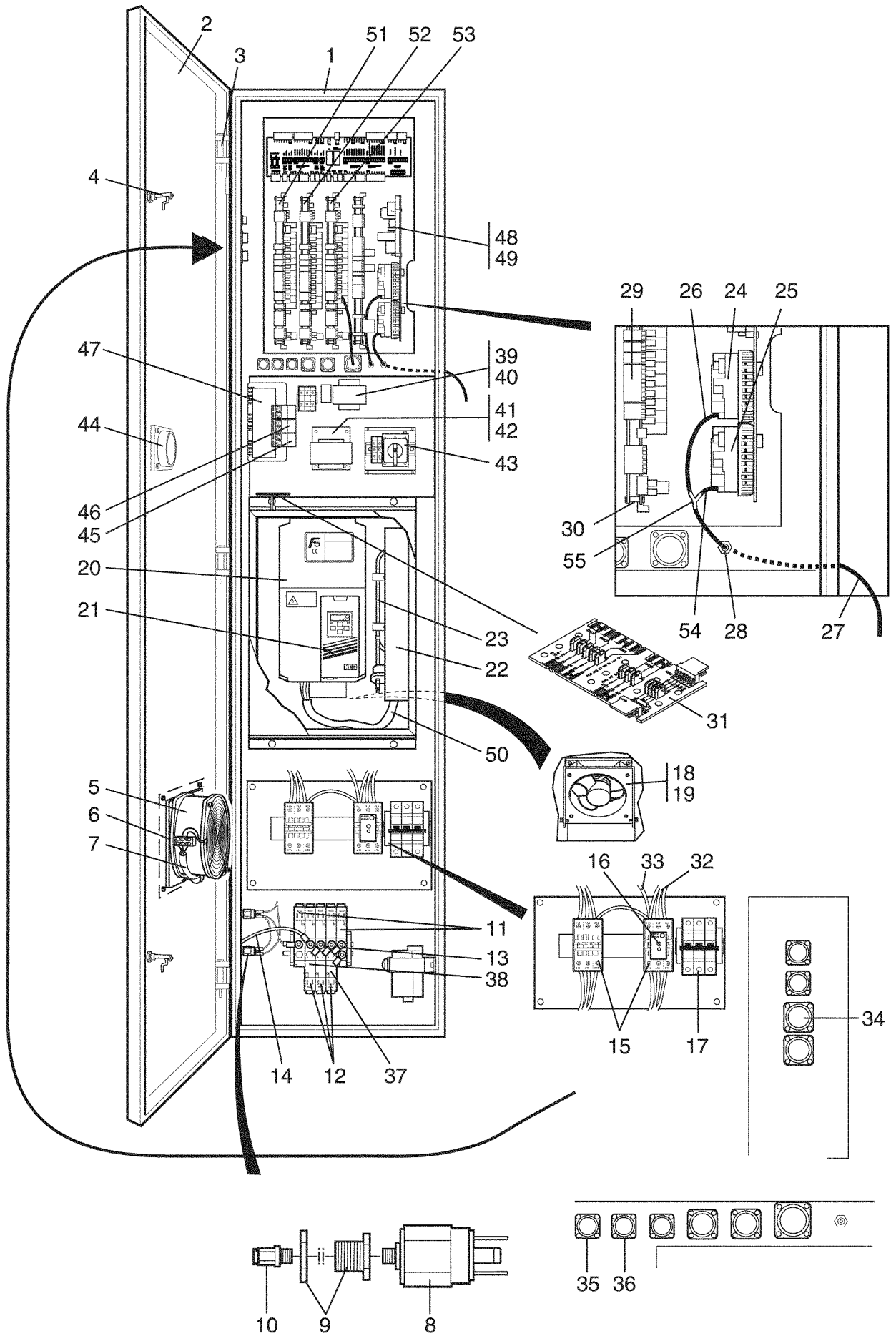
EX6102cl -980/001287

Electric cabinet, rear

Armoire électrique, arrière

Illustration Issue Month Year
Schéma Issue Month Year
102361/1 5 12 2010

Item Article	Qua. Qua.	Art.No Réf. article	Description	Description	Info Info	Notes Remarques
1	1	438 5868-03	Electric cabinet	Passage de câbles	3	
2	1	438 5878-03	Door	Porte	3	
	1	432 5100-06	Door	Porte	3	Lindström Without hinges
3	2	472 7838-01	Hinged joint	Assemblage articulé	3	
4	3	471 7839-01	Lock	Serrure	1	
5	1	438 9601-10	Fan	Ventilateur	1,2	
6	1	438 9601-20	Filter	Filtre	3	
7	1	438 9601-90	Cable set	Jeu de câbles	3	
8	Rq	471 8862-01	Pressure sensor	Capteur de pression	1,2	
9	2	471 8690-91	Bushing	Douille	3	
10	2	471 8690-32	Connection	Embrayage	3	
11	Rq	471 8287-01	Valve	Electrovanne	1,2	
	Rq	471 8287-90	•Coil	•Bobine	3	
12	Rq	471 8287-21	Valve	Electrovanne	1,2	
	Rq	471 8287-90	•Coil	•Bobine	3	
13	Rq	471 8690-22	Angle connector	Raccord d'angle	3	6/4
14	Rq	438 8102-02	Hose	Flexible	1	L=2700 6/4
15	2	438 9637-32	Contacteur	Relais	1,2	50Hz
	2	438 9637-33	Contacteur	Relais	1,2	60Hz
	2	438 9636-92	Contacteur	Relais	1,2	50Hz 208-240V
	2	438 9636-93	Contacteur	Relais	1,2	60Hz 208-240V
16	1	438 9634-02	Timer	Minuterie	1	
17	1	471 8778-13	Circuit breaker	Fusible	1	25A
18	1	471 9676-08	Fan	Ventilateur	1,2	
19	1	438 7302-65	Cable set	Jeu de câbles	3	
20	1	471 9787-07	Motor control	Contrôle du moteur	1	
21	1	471 8799-02	Program unit	Unité programmation	1	
22	1	438 9502-04	Filter	Filtre	3	
23	1	471 9821-04	Heating element	Élément chauffant	1,2	1kW 240V
24	1	471 8859-15	Level control	Réglage de niveau	1,2	B5
25	1	471 8859-01	Level control	Réglage de niveau	1,2	B2
26	1	471 2264-03	Hose	Flexible	1	L=150
27	1	471 2440-40	Hose	Flexible	1	L=1400 B1
28	2	471 8164-00	Grommet	Oeillet	3	D7
29	5	432 0142-01	Bracket	Support de montage	3	
30	12	438 0299-01	Spacer	Entretoise	3	
31	1	438 8780-02	Printed circuit board	Carte circuit	1,2	
32	1	438 7302-74	Cable set	Jeu de câbles	3	208-240V Heating
	1	438 7302-76	Cable set	Jeu de câbles	3	380-415V Heating
33	1	438 7302-62	Cable set	Jeu de câbles	3	
34	1		Cable set	Jeu de câbles		See illustr. 500223
35	1		Cable set	Jeu de câbles		See illustr. 500223
36	1		Cable set	Jeu de câbles		See illustr. 500223
37	1		Cable set	Jeu de câbles		See illustr. 500223
38	1		Cable set	Jeu de câbles		See illustr. 500223
39	1	471 8792-01	Transformer	Transformateur	1	
40	1		Cable set	Jeu de câbles		See illustr. 500223
41	1	438 9570-01	Transformer	Transformateur	1	
42	1		Cable set	Jeu de câbles		See illustr. 500223
43	1	438 9678-01	Main switch	Main switch	1	3-pole, 30A
	1	438 9678-04	Main switch	Main switch	1	3-pole, 70A
	1	438 9678-11	Main switch	Main switch	1	4-pole, 30A
	1	471 9678-33	Main switch	Main switch	1	3-pole, 100A
	1	471 9678-93	Knob	Bouton de porte	3	
44	1	471 9678-95	Knob	Bouton de porte	3	
45	1	438 7302-64	Cable set	Jeu de câbles	3	
46	1	438 7302-63	Cable set	Jeu de câbles	3	
47	1	438 9506-01	Transformer	Transformateur	1	
48	1	438 9555-01	Printed circuit board	Carte circuit	1,2	Door lock B31



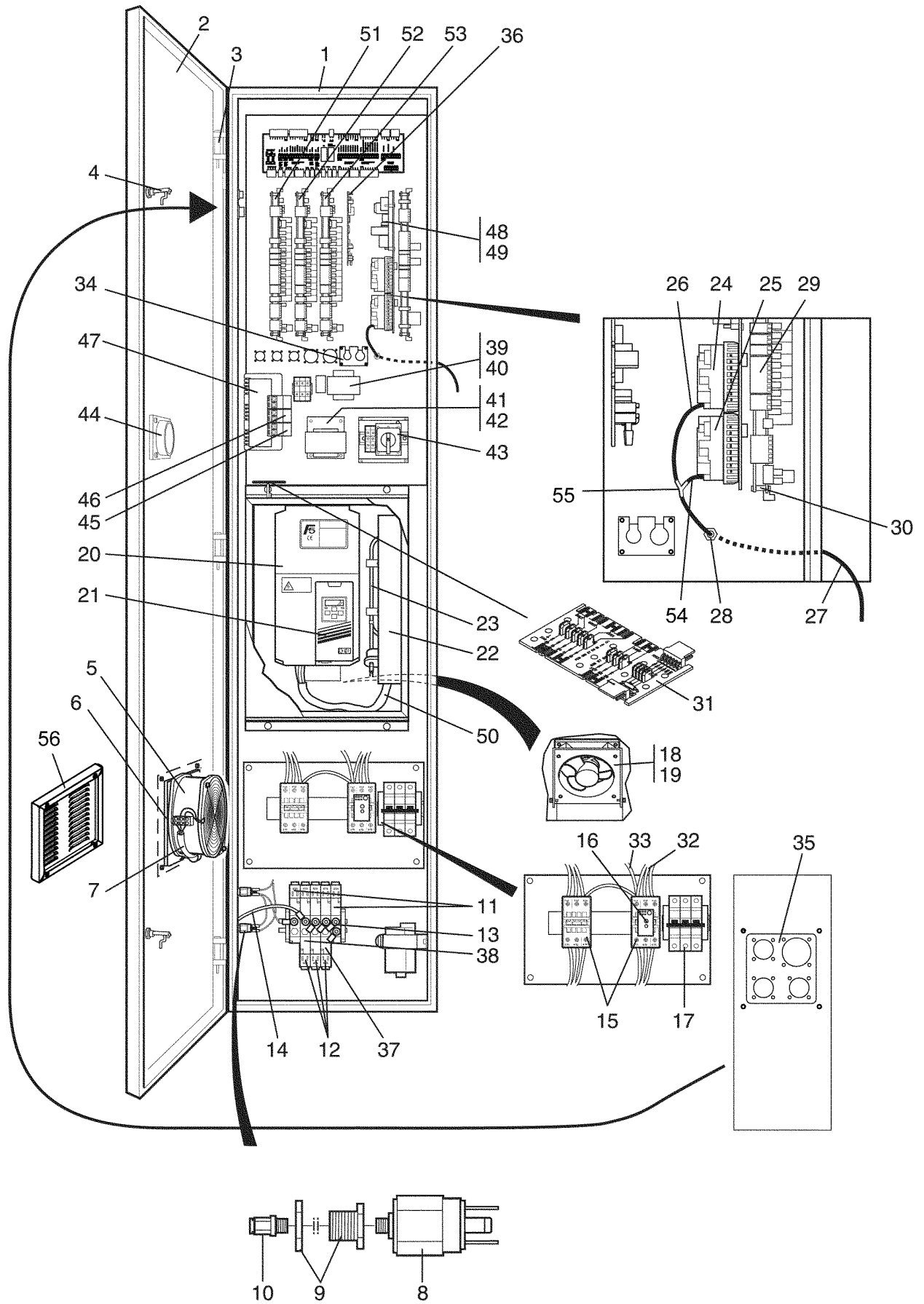
EX6102cl -980/001287

Electric cabinet, rear

Armoire électrique, arrière

Illustration	Issue	Month	Year
Schéma	Issue	Month	Year
102361/1	5	12	2010

Item Article	Qua. Qua.	Art.No Réf. article	Description	Description	Info Info	Notes Remarques
49	4	471 7958-02	Support	Support	3	
50	1	438 7302-48	Cable set	Jeu de câbles	3	
51	1		Printed circuit board	Carte circuit		I/O-card A11 See illustr. 500223
52	1		Printed circuit board	Carte circuit		I/O-card A12 See illustr. 500223
53	1		Printed circuit board	Carte circuit		I/O-card A13 See illustr. 500223
54	1	471 2449-95	Hose	Flexible	3	L=100
55	1	471 2265-69	T-pipe	Tube en T	1,2	



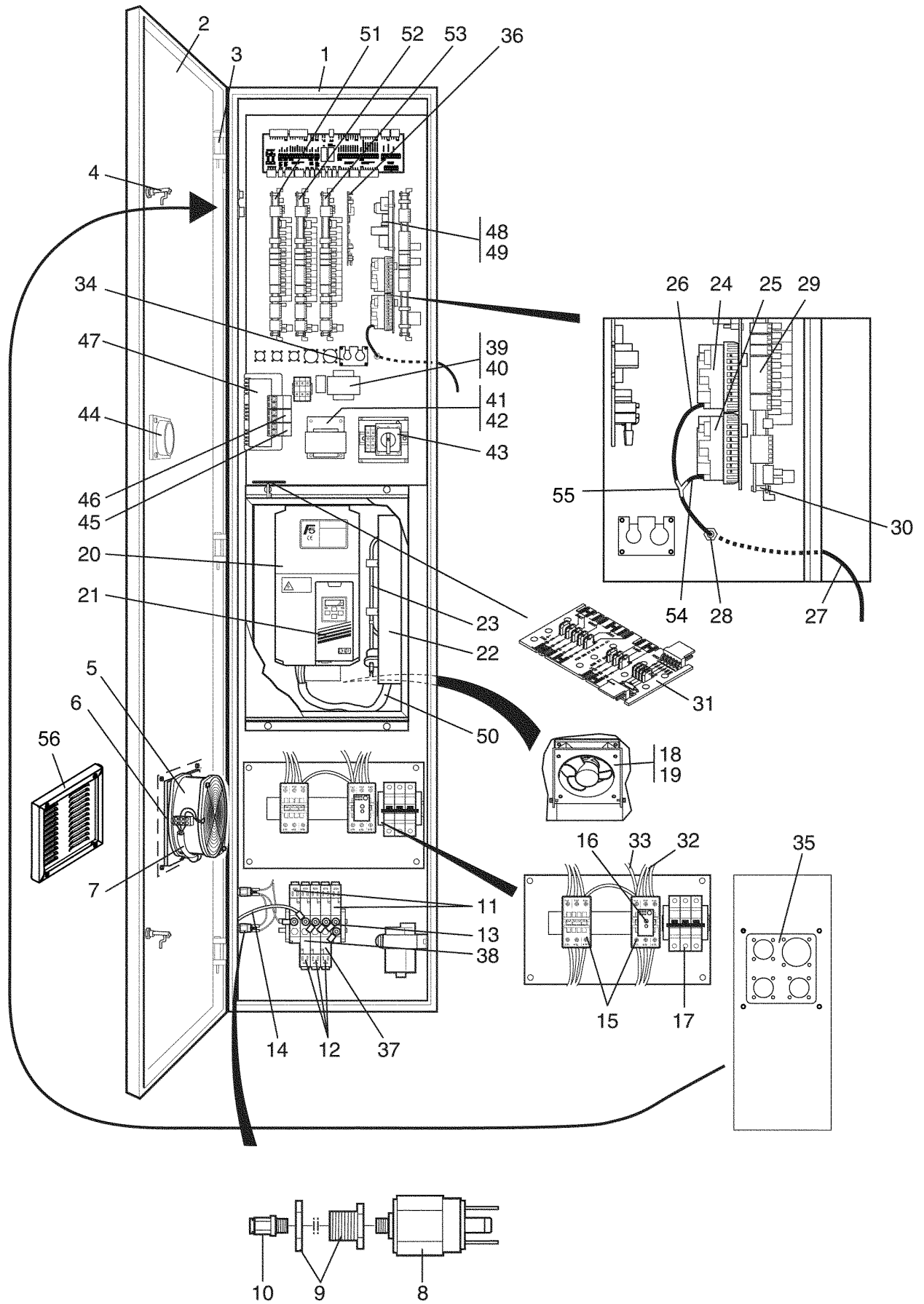
EX6102cl 980/001288-

Electric cabinet, rear

Armoire électrique, arrière

Illustration Issue Month Year
Schéma Issue Month Year
500226 2 11 2011

Item Article	Qua. Qua.	Art.No Réf. article	Description	Description	Info Info	Notes Remarques
1	1	438 6224-01	Electric cabinet	Passage de câbles	3	
2	1	438 5878-03	Door	Porte	3	
	1	432 5100-06	Door	Porte	3	Lindström Without hinges
3	2	472 7838-01	Hinged joint	Assemblage articulé	3	
4	3	471 7839-01	Lock	Serrure	1	
5	1	438 9601-10	Fan	Ventilateur	1,2	
6	1	438 9601-20	Filter	Filtre	3	
7	1	438 9601-90	Cable set	Jeu de câbles	3	
8	Rq	471 8862-01	Pressure sensor	Capteur de pression	1,2	
9	2	471 8690-91	Bushing	Douille	3	
10	2	471 8690-32	Connection	Embrayage	3	
11	Rq	471 8287-01	Valve	Electrovanne	1,2	
	Rq	471 8287-90	•Coil	•Bobine	3	
12	Rq	471 8287-21	Valve	Electrovanne	1,2	
	Rq	471 8287-90	•Coil	•Bobine	3	
13	Rq	471 8690-22	Angle connector	Raccord d'angle	3	6/4
14	Rq	438 8102-02	Hose	Flexible	1	L=2700 6/4
15	2	438 9637-32	Contacteur	Relais	1,2	50Hz
	2	438 9637-33	Contacteur	Relais	1,2	60Hz
	2	438 9636-92	Contacteur	Relais	1,2	50Hz 208-240V
	2	438 9636-93	Contacteur	Relais	1,2	60Hz 208-240V
16	1	438 9634-02	Timer	Minuterie	1	
17	1	471 8778-13	Circuit breaker	Fusible	1	25A
18	1	471 9676-08	Fan	Ventilateur	1,2	
19	1	438 7302-65	Cable set	Jeu de câbles	3	
20	1	471 9787-07	Motor control	Contrôle du moteur	1	
21	1	471 8799-02	Program unit	Unité programmation	1	
22	1	438 9502-04	Filter	Filtre	3	
23	1	471 9821-04	Heating element	Élément chauffant	1,2	1kW 240V
24	1	471 8859-15	Level control	Réglage de niveau	1,2	B5
25	1	471 8859-01	Level control	Réglage de niveau	1,2	B2
26	1	471 2264-03	Hose	Flexible	1	L=150
27	1	471 2440-40	Hose	Flexible	1	L=1400 B1
28	2	471 8164-00	Grommet	Oeillet	3	D7
29	5	438 6217-01	Bracket	Support de montage	3	
30	12	438 0299-01	Spacer	Entretoise	3	
31	1	438 8780-02	Printed circuit board	Carte circuit	1,2	
32	1	438 7302-74	Cable set	Jeu de câbles	3	208-240V Heating
	1	438 7302-76	Cable set	Jeu de câbles	3	380-415V Heating
33	1	438 7302-62	Cable set	Jeu de câbles	3	
34	1	438 6218-01	Plate	Plaque	3	
35	1	438 6219-01	Plate	Plaque	3	
36	1		Printed circuit board	Carte circuit		See illustr. 500224
37	1		Cable set	Jeu de câbles		See illustr. 500224
38	1		Cable set	Jeu de câbles		See illustr. 500224
39	1	471 8792-01	Transformer	Transformateur	1	
40	1		Cable set	Jeu de câbles		See illustr. 500224
41	1	438 9570-01	Transformer	Transformateur	1	
42	1		Cable set	Jeu de câbles		See illustr. 500224
43	1	438 9678-01	Main switch	Main switch	1	3-pole, 30A
	1	438 9678-04	Main switch	Main switch	1	3-pole, 70A
	1	438 9678-11	Main switch	Main switch	1	4-pole, 30A
	1	471 9678-33	Main switch	Main switch	1	3-pole, 100A
	1	471 9678-93	Knob	Bouton de porte	3	
44	1	471 9678-95	Knob	Bouton de porte	3	
45	1	438 7302-64	Cable set	Jeu de câbles	3	
46	1	438 7302-63	Cable set	Jeu de câbles	3	
47	1	438 9506-01	Transformer	Transformateur	1	
48	1	438 9555-01	Printed circuit board	Carte circuit	1,2	Door lock B31



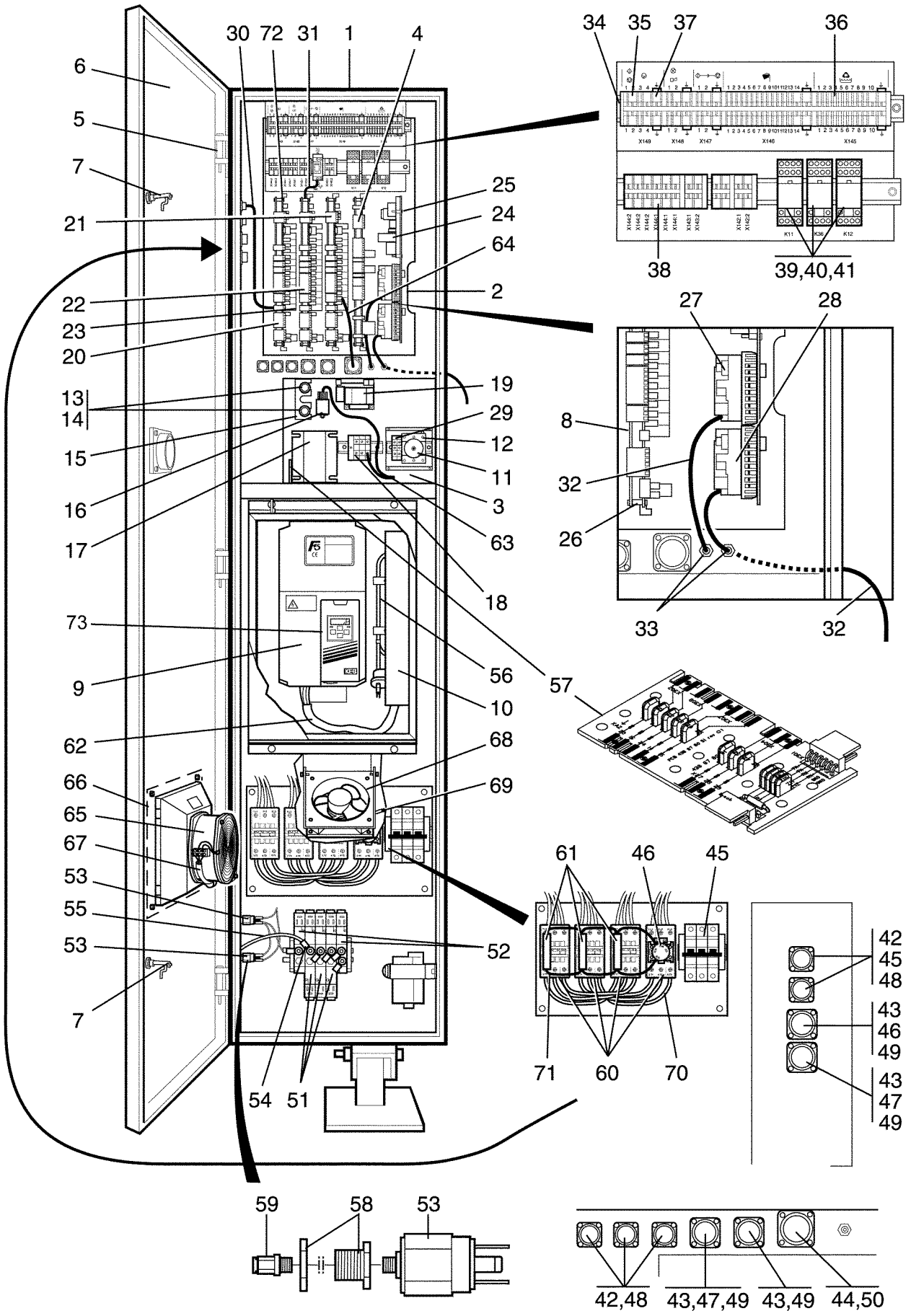
EX6102cl 980/001288-

Electric cabinet, rear

Armoire électrique, arrière

Illustration	Issue	Month	Year
Schéma	Issue	Month	Year
500226	2	11	2011

Item Article	Qua. Qua.	Art.No Réf. article	Description	Description	Info Info	Notes Remarques
49	4	471 7958-02	Support	Support	3	
50	1	438 7302-48	Cable set	Jeu de câbles	3	
51	1		Printed circuit board	Carte circuit		I/O-card A11 See illustr. 500224
52	1		Printed circuit board	Carte circuit		I/O-card A12 See illustr. 500224
53	1		Printed circuit board	Carte circuit		I/O-card A13 See illustr. 500224
54	1	471 2449-95	Hose	Flexible	3	L=100
55	1	471 2265-69	T-pipe	Tube en T	1,2	
* 56	1	438 6244-01	Cover	Couvercle	3	



Issue Month Year
02 11 10

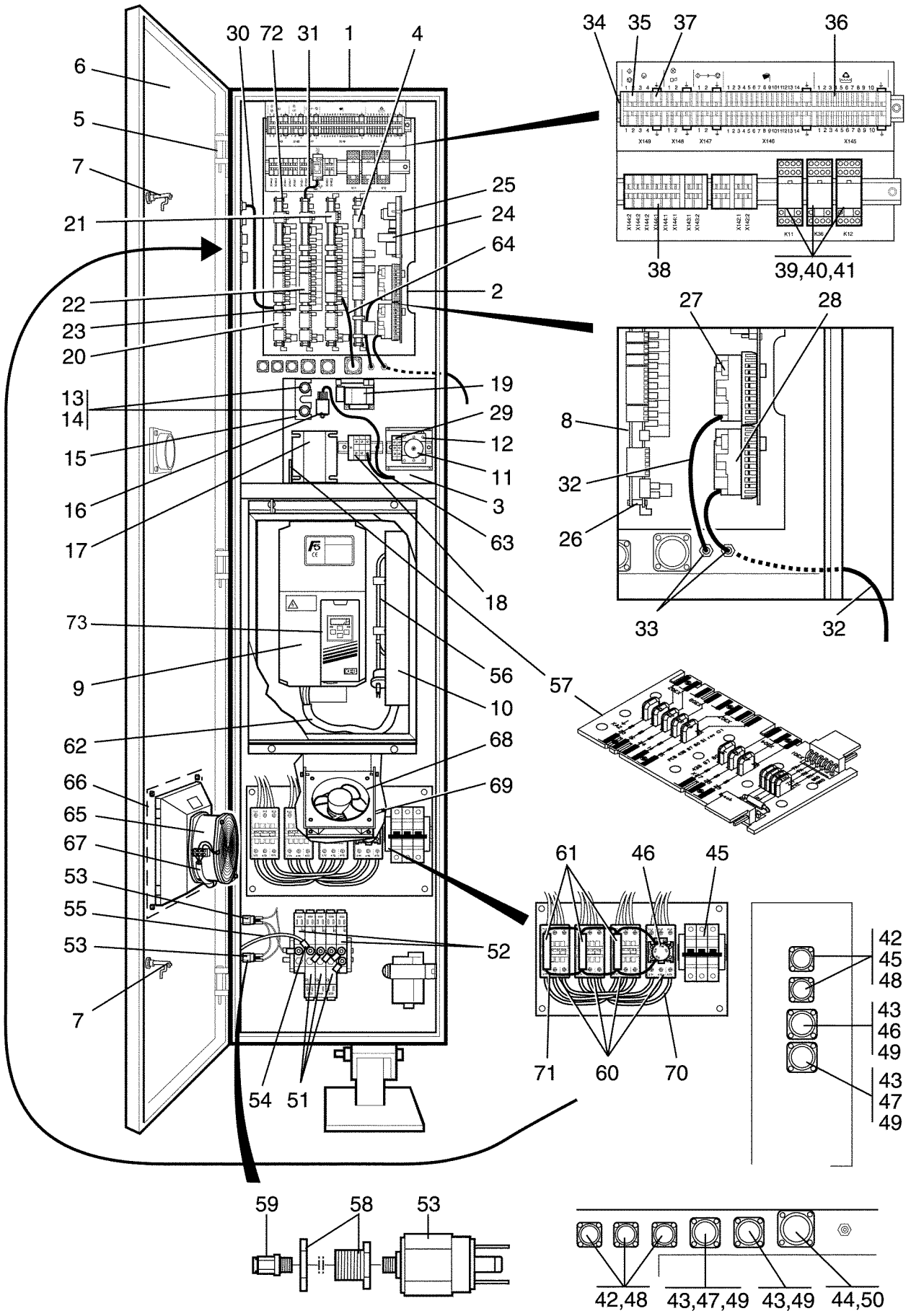
EX6135cl -980/000579

Electric cabinet, rear

Armoire électrique, arrière

Illustration Issue Month Year
Schéma Issue Month Year
102398/1 5 12 2010

Item Article	Qua. Qua.	Art.No Réf. article	Description	Description	Info Info	Notes Remarques
1	1	438 5868-01	Electric cabinet	Passage de câbles	3	
2	1	432 0137-01	Component panel	Panneau composants	3	
3	1	432 0138-01	Component panel	Panneau composants	3	
4	1	438 8779-01	Printed circuit board	Carte circuit	1,2	Tilt
5	2	471 7838-01	Hinged joint	Assemblage articulé	3	
6	1	438 5878-01	Door	Porte	3	With fan
7	3	471 7839-01	Lock	Serrure	1	
8	5	432 0142-01	Bracket	Support de montage	3	
9	1	471 9786-01	Motor control	Contrôle du moteur	1	
10	1	438 9502-02	Filter	Filtre	3	230V
11	1	471 9678-62	Main switch	Main switch	1	200-240V HW,DS
	1	471 9678-61	Main switch	Main switch	1	380-480V HW,DS
	1	471 9678-95	Knob	Bouton de porte	3	
	1	438 9679-01	Main switch	Main switch	1	3-pole, 160A EL.
	1	471 9678-33	Main switch	Main switch	1	3-pole, 100A EL.
	1	471 9678-93	Knob	Bouton de porte	3	
12	1	432 0367-01	Bracket	Pupitre	3	
13	2	471 8750-11	Fuse	Porte-fusible	1,2	1,25A
14	2	471 8756-51	Insert	Insertion	1,2	5X20MM
15	1	471 4074-01	Fuse holder	Porte-fusible	1,2	
16	1	471 9529-10	Mains filter	Filtre de filet	1	208-240V
17	1	471 9550-21	Transformer	Transformateur	1	200-415V, not 346V
	1	471 9550-22	Transformer	Transformateur	1	346,440,480V
18	1	471 8762-04	Terminal connection	Bloc de connexion	3	
19	1	471 8792-01	Transformer	Transformateur	1	
20	1	471 8995-11	Printed circuit board	Carte circuit	1,2	I/O-card A11
21	1	471 8995-13	Printed circuit board	Carte circuit	1,2	I/O-card A13
22	1	471 8995-12	Printed circuit board	Carte circuit	1,2	I/O-card A12
23	18	471 7958-02	Support	Support	3	
24	1	438 9555-01	Printed circuit board	Carte circuit	1,2	Door lock B31
25	4	471 7958-01	Support	Support	3	
26	12	438 0299-01	Spacer	Entretoise	3	
27	1	471 8859-15	Level control	Réglage de niveau	1,2	B1
28	1	471 8859-01	Level control	Réglage de niveau	1,2	B2
29	2	471 8767-03	Ground terminal	Borne de terre	3	SL35 200-240V
30	1	438 7302-42	Cable set	Jeu de câbles	3	DS
31	1	438 7302-47	Cable set	Jeu de câbles	3	EL/DS
32	2	471 2440-40	Hose	Flexible	1	L=1400
33	2	471 8164-00	Grommet	Oeillet	3	D7
34	10	471 8781-11	Block	Cale	3	
35	10	471 8781-01	Block	Cale	3	Grey
36	28	471 8781-02	Block	Cale	3	Orange
37	5	471 8781-03	Block	Cale	3	Yellow/Green
38	5	471 8781-04	Block	Cale	3	Orange
39	3	471 9649-05	Relay	Relais	1,2	
40	3	471 9649-04	Socket	Douille	1	
41	3	471 9649-12	Clamp	Bride de fixation	3	
42	5	438 8152-03	Gasket	Joint	3	4-pole AMP
43	4	438 8152-02	Gasket	Joint	3	14-pole AMP
44	1	438 8152-01	Gasket	Joint	3	37-pole AMP
45	1	471 8778-13	Circuit breaker	Fusible	1,2	25A El.
46	1	438 9634-01	Timer	Minuterie	1,2	EL
47	2	432 0175-01	Cover washer	Rondelle protection	3	14-pole
48	5		Connector	Connecteur		4-pole AMP
49	6		Connector	Connecteur		14-pole AMP
50	1		Connector	Connecteur		37-pole AMP
51	Rq	471 8287-21	Valve	Electrovanne	1,2	
	Rq	471 8287-90	•Coil	•Bobine	3	



Issue Month Year
02 11 10

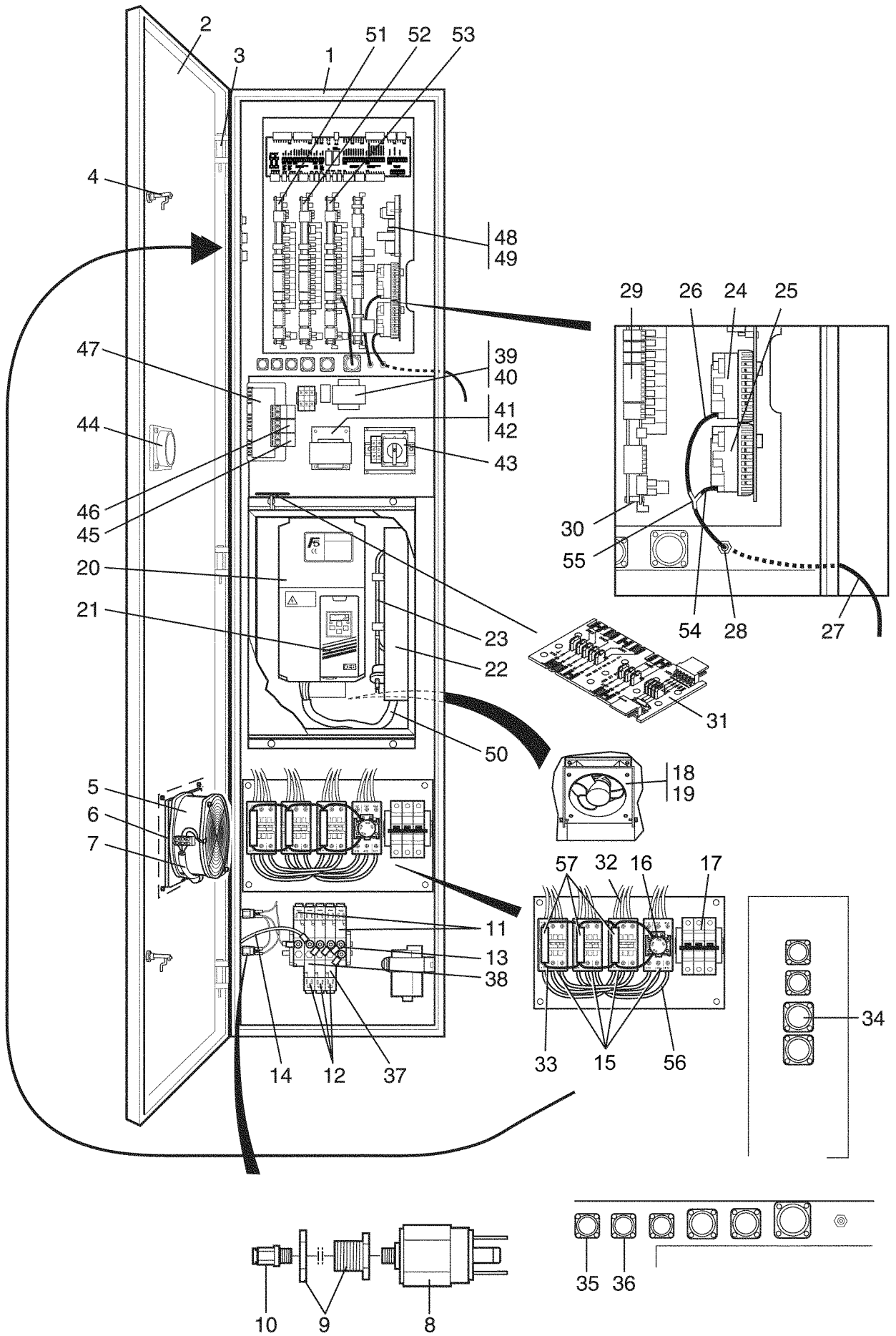
EX6135cl -980/000579

Electric cabinet, rear

Armoire électrique, arrière

Illustration Issue Month Year
Schéma Issue Month Year
102398/1 5 12 2010

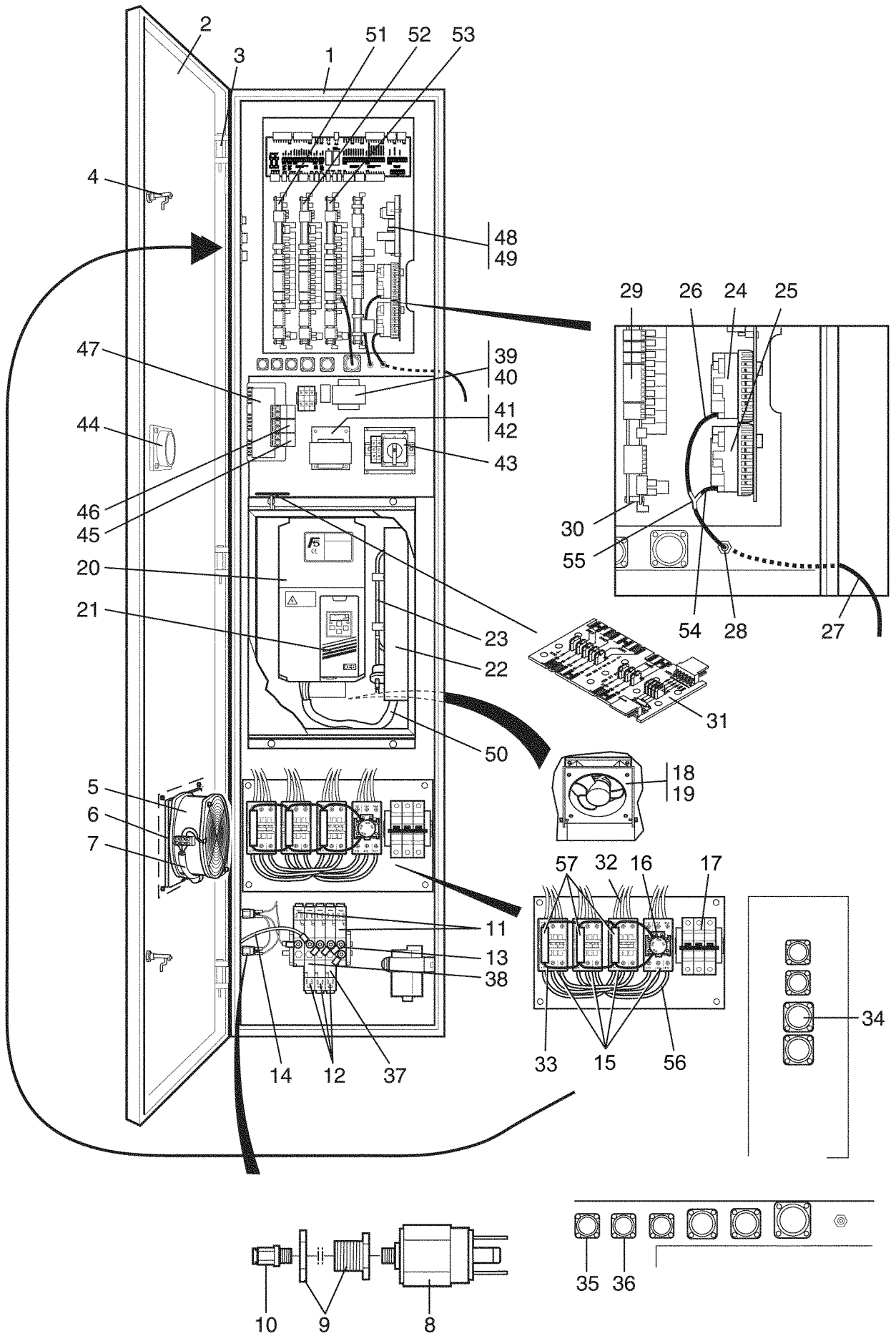
Item Article	Qua. Qua.	Art.No Réf. article	Description	Description	Info Info	Notes Remarques
52	Rq	471 8287-01	Valve	Electrovanne	1,2	
	Rq	471 8287-90	•Coil	•Bobine	3	
53	Rq	471 8862-01	Pressure sensor	Capteur de pression	1,2	
54	Rq	471 8690-22	Angle connector	Raccord d'angle	3	6/4
55	Rq	438 8102-02	Hose	Flexible	1	L=2700 Per 1 m
56	1	471 9821-04	Heating element	Élément chauffant	1,2	1kW 240V
57	1	438 8780-01	Printed circuit board	Carte circuit	1,2	
58	2	471 8690-91	Bushing	Douille	3	
59	2	471 8690-32	Connection	Embrayage	3	
60	4	438 9637-32	Contacteur	Relais	1,2	50Hz EL
	4	438 9638-32	Contacteur	Relais	1,2	220-240V 50Hz EL
	4	438 9637-33	Contacteur	Relais	1,2	60Hz
	4	438 9638-33	Contacteur	Relais	1,2	200-240V 60Hz EL
61	3	767 5102-92	Auxiliary contact	Contact de secours	1,2	HN01 Red
62	1	438 7302-03	Cable set	Jeu de câbles	3	
63	1	438 7300-66	Cable set	Jeu de câbles	3	
64	1	438 7302-01	Cable set	Jeu de câbles	3	
65	1	438 9601-10	Fan	Ventilateur	1,2	
66	1	438 9601-20	Filter	Filtre	3	
67	1	438 9601-90	Cable set	Jeu de câbles	3	
68	1	471 9676-08	Fan	Ventilateur	1,2	
69	1	438 7302-38	Cable set	Jeu de câbles	3	
70	1	438 7302-44	Cable set	Jeu de câbles	3	380-480V EL
	1	438 7302-45	Cable set	Jeu de câbles	3	200-240V EL
71	1	438 7302-43	Cable set	Jeu de câbles	3	EL
72	1	438 3082-70	Clamp	Bride de fixation	3	HW/DS
73	1	471 8799-02	Program unit	Unité programmation	1	



EX6135cl 980/000580-001287**Electric cabinet, rear****Armoire électrique, arrière**

Illustration	Issue	Month	Year
Schéma	Issue	Month	Year
500170	1	12	2010

Item	Qua.	Art.No	Description	Description	Info	Notes
Article	Qua.	Réf. article			Info	Remarques
1	1	438 5868-03	Electric cabinet	Passage de câbles	3	
2	1	438 5878-03	Door	Porte	3	
	1	432 5100-06	Door	Porte	3	Lindström Without hinges
3	2	472 7838-01	Hinged joint	Assemblage articulé	3	
4	3	471 7839-01	Lock	Serrure	1	
5	1	438 9601-10	Fan	Ventilateur	1,2	
6	1	438 9601-20	Filter	Filtre	3	
7	1	438 9601-90	Cable set	Jeu de câbles	3	
8	Rq	471 8862-01	Pressure sensor	Capteur de pression	1,2	
9	2	471 8690-91	Bushing	Douille	3	
10	2	471 8690-32	Connection	Embrayage	3	
11	Rq	471 8287-01	Valve	Electrovanne	1,2	
	Rq	471 8287-90	•Coil	•Bobine	3	
12	Rq	471 8287-21	Valve	Electrovanne	1,2	
	Rq	471 8287-90	•Coil	•Bobine	3	
13	Rq	471 8690-22	Angle connector	Raccord d'angle	3	6/4
14	Rq	438 8102-02	Hose	Flexible	1	L=2700 6/4
15	2	438 9637-32	Contacteur	Relais	1,2	50Hz
	2	438 9637-33	Contacteur	Relais	1,2	60Hz
	2	438 9636-92	Contacteur	Relais	1,2	50Hz 208-240V
	2	438 9636-93	Contacteur	Relais	1,2	60Hz 208-240V
	4	438 9638-32	Contacteur	Relais	1,2	220-240V 50Hz
	4	438 9638-33	Contacteur	Relais	1,2	200-240V 60Hz
16	1	438 9634-02	Timer	Minuterie	1	
17	1	471 8778-13	Circuit breaker	Fusible	1	25A
18	1	471 9676-08	Fan	Ventilateur	1,2	
19	1	438 7302-38	Cable set	Jeu de câbles	3	
20	1	471 9786-01	Motor control	Contrôle du moteur	1	
21	1	471 8799-02	Program unit	Unité programmation	1	
22	1	438 9502-02	Filter	Filtre	3	230V
23	1	471 9821-04	Heating element	Élément chauffant	1,2	1kW 240V
24	1	471 8859-15	Level control	Réglage de niveau	1,2	B5
25	1	471 8859-01	Level control	Réglage de niveau	1,2	B2
26	1	471 2264-03	Hose	Flexible	1	L=150
27	1	471 2440-40	Hose	Flexible	1	L=1400 B1
28	2	471 8164-00	Grommet	Oeillet	3	D7
29	5	432 0142-01	Bracket	Support de montage	3	
30	12	438 0299-01	Spacer	Entretoise	3	
31	1	438 8780-02	Printed circuit board	Carte circuit	1,2	
32	1	438 7302-74	Cable set	Jeu de câbles	3	208-240V Heating
	1	438 7302-76	Cable set	Jeu de câbles	3	380-415V Heating
33	1	438 7302-62	Cable set	Jeu de câbles	3	36kW
	1	438 7302-43	Cable set	Jeu de câbles	3	54kW
34	1		Cable set	Jeu de câbles		See illustr. 500223
35	1		Cable set	Jeu de câbles		See illustr. 500223
36	1		Cable set	Jeu de câbles		See illustr. 500223
37	1		Cable set	Jeu de câbles		See illustr. 500223
38	1		Cable set	Jeu de câbles		See illustr. 500223
39	1	471 8792-01	Transformer	Transformateur	1	
40	1		Cable set	Jeu de câbles		See illustr. 500223
41	1	438 9570-01	Transformer	Transformateur	1	
42	1		Cable set	Jeu de câbles		See illustr. 500223
43	1	438 9678-01	Main switch	Main switch	1	3-pole, 30A
	1	438 9678-04	Main switch	Main switch	1	3-pole, 70A
	1	438 9678-11	Main switch	Main switch	1	4-pole, 30A
	1	471 9678-33	Main switch	Main switch	1	3-pole, 100A
	1	438 9679-01	Main switch	Main switch		3-pole, 160A
	1	471 9678-93	Knob	Bouton de porte	3	
44	1	471 9678-95	Knob	Bouton de porte	3	



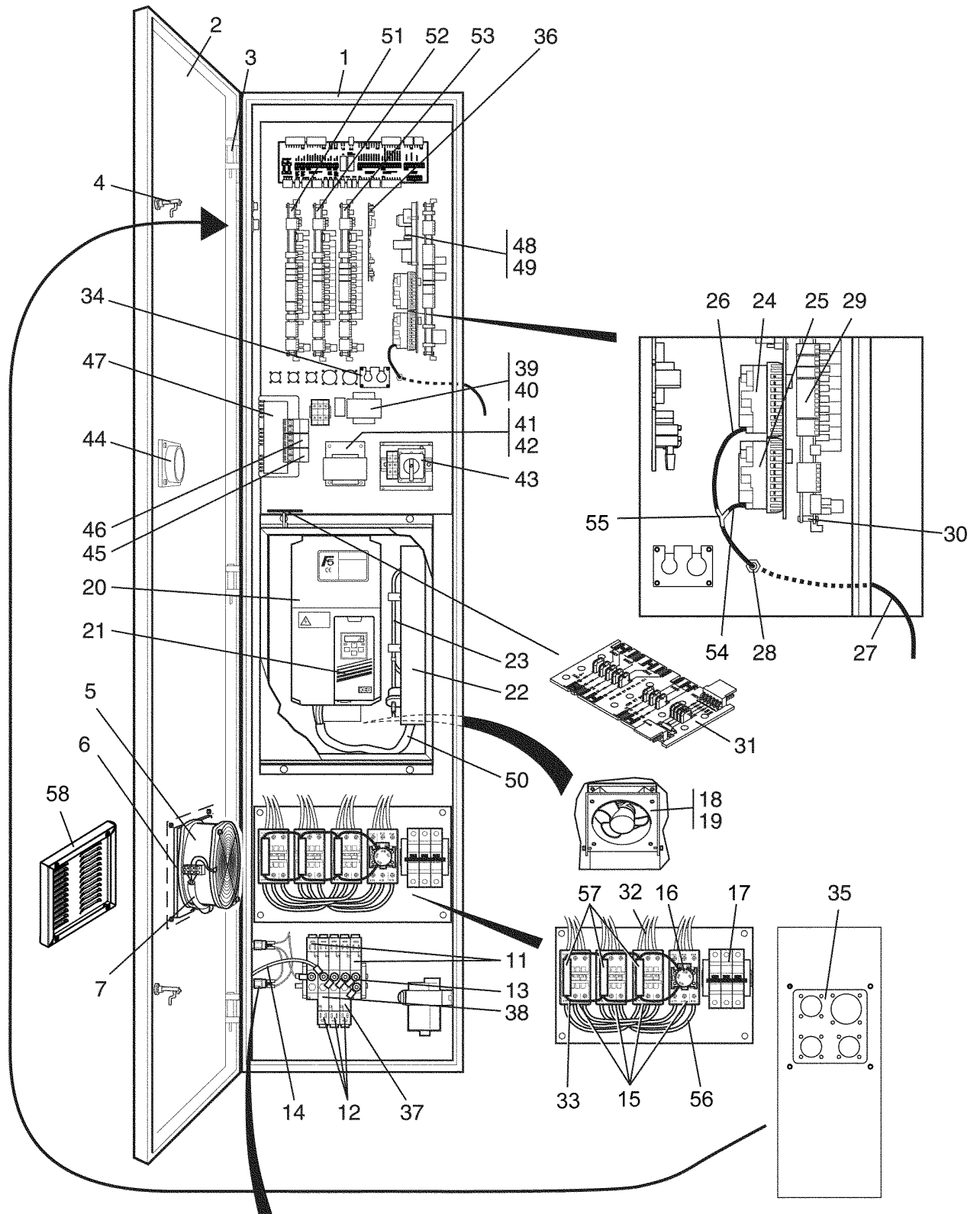
EX6135cl 980/000580-001287

Electric cabinet, rear

Armoire électrique, arrière

Illustration Issue Month Year
Schéma Issue Month Year
500170 1 12 2010

Item Article	Qua. Qua.	Art.No Réf. article	Description	Description	Info Info	Notes Remarques
45	1	438 7302-64	Cable set	Jeu de câbles	3	
46	1	438 7302-63	Cable set	Jeu de câbles	3	
47	1	438 9506-03	Transformer	Transformateur	1	
48	1	438 9555-01	Printed circuit board	Carte circuit	1,2	Door lock B31
49	4	471 7958-02	Support	Support	3	
50	1	438 7302-48	Cable set	Jeu de câbles	3	
51	1		Printed circuit board	Carte circuit		I/O-card A11 See illustr. 500223
52	1		Printed circuit board	Carte circuit		I/O-card A12 See illustr. 500223
53	1		Printed circuit board	Carte circuit		I/O-card A13 See illustr. 500223
54	1	471 2449-95	Hose	Flexible	3	L=100
55	1	471 2265-69	T-pipe	Tube en T	1,2	
56	6	438 7302-77	Cable set	Jeu de câbles	1,2	400V 54kW
	6	438 7302-78	Cable set	Jeu de câbles	1,2	230V 54kW
57	4	767 5102-92	Auxiliary contact	Contact de secours	1,2	HN01 Red



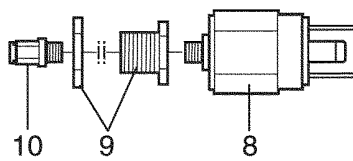
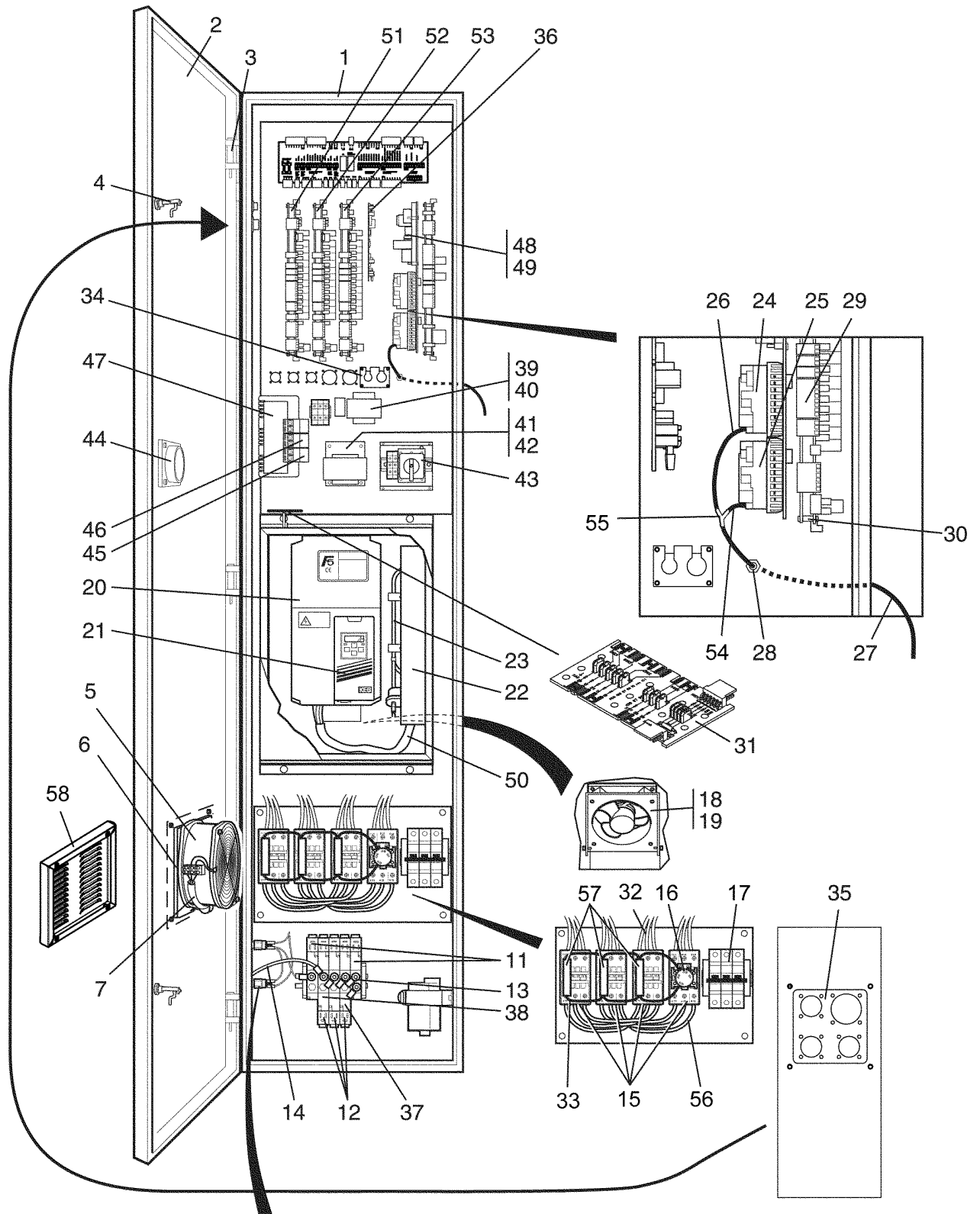
EX6135cl 980/001288-

Electric cabinet, rear

Armoire électrique, arrière

Illustration Issue Month Year
Schéma Issue Month Year
500227 2 11 2011

Item Article	Qua. Qua.	Art.No Réf. article	Description	Description	Info Info	Notes Remarques
1	1	438 6224-01	Electric cabinet	Passage de câbles	3	
2	1	438 5878-03	Door	Porte	3	
	1	432 5100-06	Door	Porte	3	Lindström Without hinges
3	2	472 7838-01	Hinged joint	Assemblage articulé	3	
4	3	471 7839-01	Lock	Serrure	1	
5	1	438 9601-10	Fan	Ventilateur	1,2	
6	1	438 9601-20	Filter	Filtre	3	
7	1	438 9601-90	Cable set	Jeu de câbles	3	
8	Rq	471 8862-01	Pressure sensor	Capteur de pression	1,2	
9	2	471 8690-91	Bushing	Douille	3	
10	2	471 8690-32	Connection	Embrayage	3	
11	Rq	471 8287-01	Valve	Electrovanne	1,2	
	Rq	471 8287-90	•Coil	•Bobine	3	
12	Rq	471 8287-21	Valve	Electrovanne	1,2	
	Rq	471 8287-90	•Coil	•Bobine	3	
13	Rq	471 8690-22	Angle connector	Raccord d'angle	3	6/4
14	Rq	438 8102-02	Hose	Flexible	1	L=2700 6/4
15	2	438 9637-32	Contacteur	Relais	1,2	50Hz
	2	438 9637-33	Contacteur	Relais	1,2	60Hz
	2	438 9636-92	Contacteur	Relais	1,2	50Hz 208-240V
	2	438 9636-93	Contacteur	Relais	1,2	60Hz 208-240V
	4	438 9638-32	Contacteur	Relais	1,2	220-240V 50Hz
	4	438 9638-33	Contacteur	Relais	1,2	200-240V 60Hz
16	1	438 9634-02	Timer	Minuterie	1	
17	1	471 8778-13	Circuit breaker	Fusible	1	25A
18	1	471 9676-08	Fan	Ventilateur	1,2	
19	1	438 7302-38	Cable set	Jeu de câbles	3	
20	1	471 9786-01	Motor control	Contrôle du moteur	1	
21	1	471 8799-02	Program unit	Unité programmation	1	
22	1	438 9502-02	Filter	Filtre	3	230V
23	1	471 9821-04	Heating element	Élément chauffant	1,2	1kW 240V
24	1	471 8859-15	Level control	Réglage de niveau	1,2	B5
25	1	471 8859-01	Level control	Réglage de niveau	1,2	B2
26	1	471 2264-03	Hose	Flexible	1	L=150
27	1	471 2440-40	Hose	Flexible	1	L=1400 B1
28	2	471 8164-00	Grommet	Oeillet	3	D7
29	5	438 6217-01	Bracket	Support de montage	3	
30	12	438 0299-01	Spacer	Entretoise	3	
31	1	438 8780-02	Printed circuit board	Carte circuit	1,2	
32	1	438 7302-74	Cable set	Jeu de câbles	3	208-240V Heating
	1	438 7302-76	Cable set	Jeu de câbles	3	380-415V Heating
33	1	438 7302-62	Cable set	Jeu de câbles	3	36kW
	1	438 7302-43	Cable set	Jeu de câbles	3	54kW
34	1	438 6218-01	Plate	Plaque	3	
35	1	438 6219-01	Plate	Plaque	3	
36	1		Printed circuit board	Carte circuit		See illustr. 500224
37	1		Cable set	Jeu de câbles		See illustr. 500224
38	1		Cable set	Jeu de câbles		See illustr. 500224
39	1	471 8792-01	Transformer	Transformateur	1	
40	1		Cable set	Jeu de câbles		See illustr. 500224
41	1	438 9570-01	Transformer	Transformateur	1	
42	1		Cable set	Jeu de câbles		See illustr. 500224
43	1	438 9678-01	Main switch	Main switch	1	3-pole, 30A
	1	438 9678-04	Main switch	Main switch	1	3-pole, 70A
	1	438 9678-11	Main switch	Main switch	1	4-pole, 30A
	1	471 9678-33	Main switch	Main switch	1	3-pole, 100A
	1	438 9679-01	Main switch	Main switch		3-pole, 160A
	1	471 9678-93	Knob	Bouton de porte	3	
44	1	471 9678-95	Knob	Bouton de porte	3	



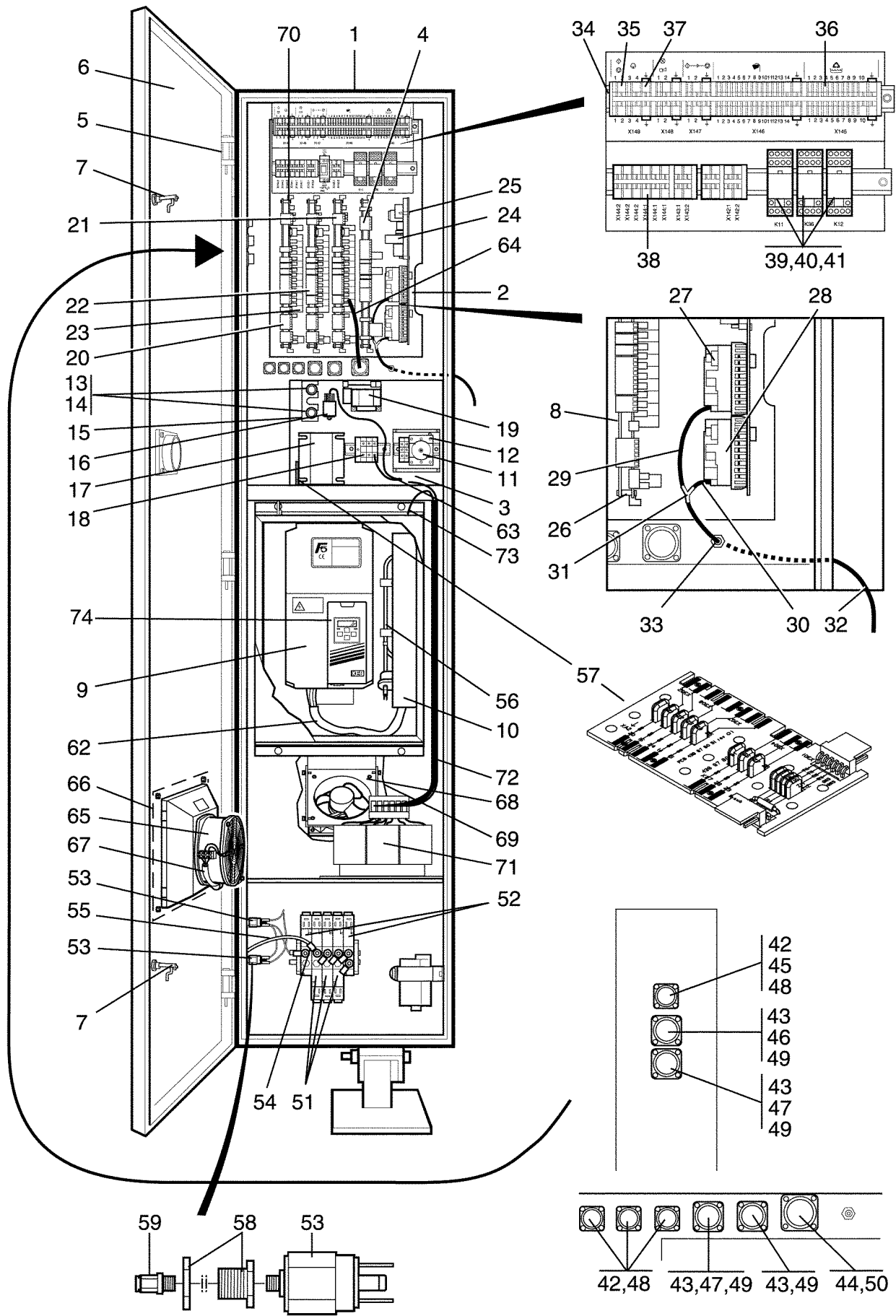
EX6135cl 980/001288-

Electric cabinet, rear

Armoire électrique, arrière

Illustration Issue Month Year
Schéma Issue Month Year
500227 2 11 2011

Item Article	Qua. Qua.	Art.No Réf. article	Description	Description	Info Info	Notes Remarques
45	1	438 7302-64	Cable set	Jeu de câbles	3	
46	1	438 7302-63	Cable set	Jeu de câbles	3	
47	1	438 9506-03	Transformer	Transformateur	1	
48	1	438 9555-01	Printed circuit board	Carte circuit	1,2	Door lock B31
49	4	471 7958-02	Support	Support	3	
50	1	438 7302-48	Cable set	Jeu de câbles	3	
51	1		Printed circuit board	Carte circuit		I/O-card A11 See illustr. 500224
52	1		Printed circuit board	Carte circuit		I/O-card A12 See illustr. 500224
53	1		Printed circuit board	Carte circuit		I/O-card A13 See illustr. 500224
54	1	471 2449-95	Hose	Flexible	3	L=100
55	1	471 2265-69	T-pipe	Tube en T	1,2	
56	6	438 7302-77	Cable set	Jeu de câbles	1,2	400V 54kW
	6	438 7302-78	Cable set	Jeu de câbles	1,2	230V 54kW
57	4	767 5102-92	Auxiliary contact	Contact de secours	1,2	HN01 Red
* 58	1	438 6244-01	Cover	Couvercle	3	



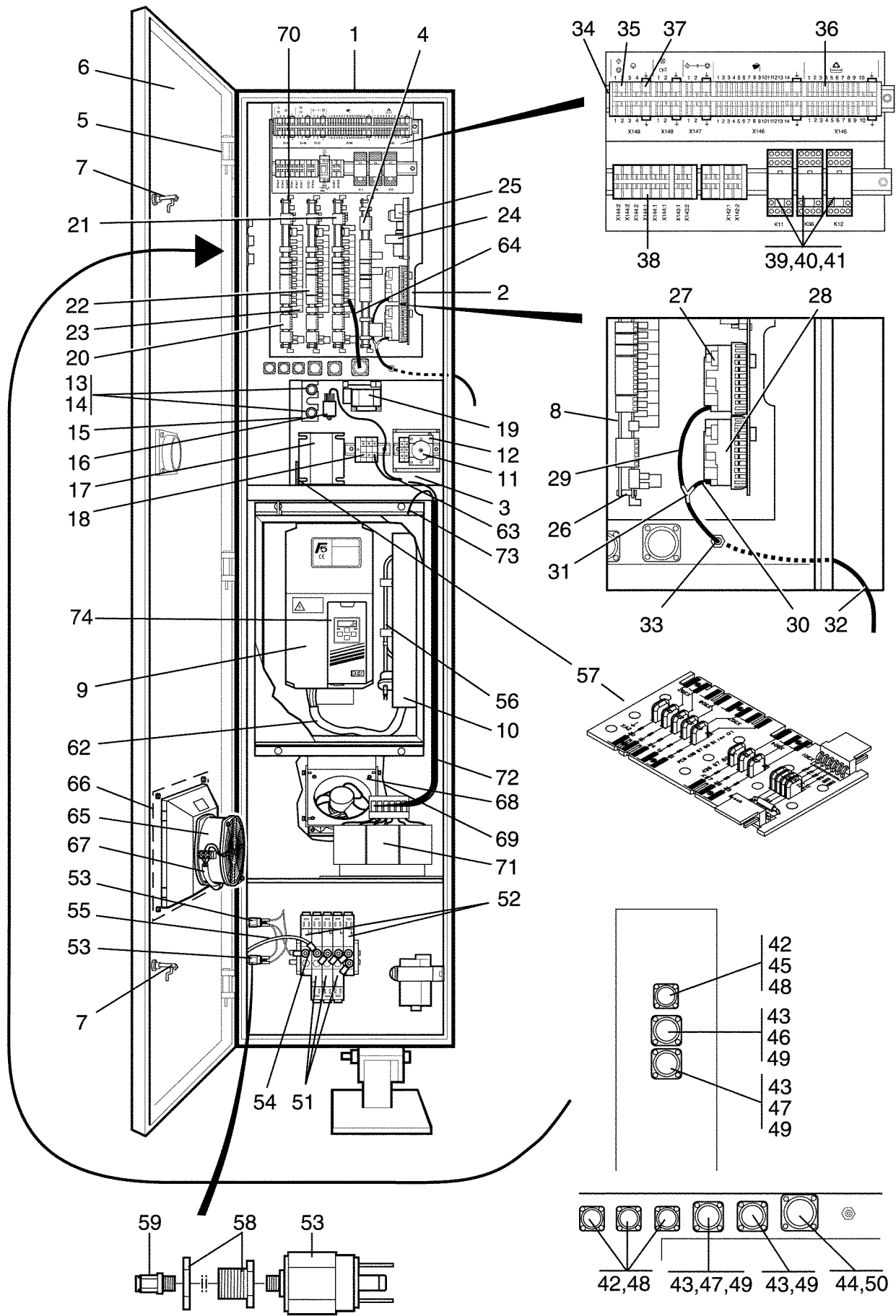
EX6200cl -1220/000440,EX6250cl -1220/000440

Electric cabinet, rear

Armoire électrique, arrière

Illustration Issue Month Year
Schéma Issue Month Year
102399/1 5 12 2010

Item Article	Quantity Quantité	Art.No Réf. article	Description	Description	Info Info	Notes Remarques
			EX6200cl			
			EX6250cl			
1	1	432 5090-02	Electric cabinet	Passage de câbles	3	
2	1	432 0137-01	Component panel	Panneau composants	3	
3	1	432 0138-01	Component panel	Panneau composants	3	
4	1	438 8779-01	Printed circuit board	Carte circuit	1,2	Tilt
5	2	472 7838-01	Hinged joint	Assemblage articulé	3	
6	1	432 5094-01	Door	Porte	3	Without fan
	1	432 5094-03	Door	Porte	3	With fan
7	2	471 7839-01	Lock	Serrure	1	
8	5	432 0142-01	Bracket	Support de montage	3	
9	1	471 9789-01	Motor control	Contrôle du moteur	1	
	1	471 9789-05	Motor control	Contrôle du moteur	1	
10	1	438 9502-01	Filter	Filtre	3	
11	1	471 9678-62	Main switch	Main switch	1	200-240V
	1	471 9678-61	Main switch	Main switch	1	380-480V
	1	471 9678-95	•Knob	•Bouton de porte	3	
12	1	432 0367-01	Bracket	Pupitre	3	
13	2	471 8750-11	Fuse	Porte-fusible	1,2	1,25A
14	2	471 8756-51	Insert	Insertion	1,2	5X20MM
15	1	471 4074-01	Fuse holder	Porte-fusible	1,2	
16	1	471 9529-10	Mains filter	Filtre de filet	1	208-240V
17	1	471 9550-21	Transformer	Transformateur	1	200-415V, not 346V
18	1	471 8762-04	Terminal connection	Bloc de connexion	3	
19	1	471 8792-01	Transformer	Transformateur	1	
20	1	471 8995-11	Printed circuit board	Carte circuit	1,2	I/O-card A11
21	1	471 8995-13	Printed circuit board	Carte circuit	1,2	I/O-card A13
22	1	471 8995-12	Printed circuit board	Carte circuit	1,2	I/O-card A12
23	18	471 7958-02	Support	Support	3	
24	1	438 9555-01	Printed circuit board	Carte circuit	1,2	Door lock B31
25	4	471 7958-01	Support	Support	3	
26	12	438 0299-01	Spacer	Entretoise	3	
27	1	471 8859-07	Level control	Réglage de niveau	1,2	B1
28	1	471 8859-01	Level control	Réglage de niveau	1,2	B2
29	1	471 2264-03	Hose	Flexible	1	L=150
30	1	471 2449-95	Hose	Flexible	1	L=100
31	1	471 2265-69	T-pipe	Tube en T	3	
32	1	471 2440-40	Hose	Flexible	1	L=1400
33	1	471 8164-00	Grommet	Oeillet	3	D7
34	10	471 8781-11	Block	Cale	3	
35	10	471 8781-01	Block	Cale	3	Grey
36	28	471 8781-02	Block	Cale	3	Orange
37	5	471 8781-03	Block	Cale	3	Yellow/Green
38	5	471 8781-04	Block	Cale	3	Orange
39	3	471 9649-05	Relay	Relais	1,2	
40	3	471 9649-04	Socket	Douille	1	
41	3	471 9649-12	Clamp	Bride de fixation	3	
42	4	438 8152-03	Gasket	Joint	3	4-pole AMP
43	4	438 8152-02	Gasket	Joint	3	14-pole AMP
44	1	438 8152-01	Gasket	Joint	3	37-pole AMP
45						Not used
46						Not used
47	2	432 0175-01	Cover washer	Rondelle protection	3	14-pole
48	4		Connector	Connecteur		4-pole AMP
49	6		Connector	Connecteur		14-pole AMP
50	1		Connector	Connecteur		37-pole AMP
51	Rq	471 8287-21	Valve	Electrovanne	1,2	
	Rq	471 8287-90	•Coil	•Bobine	3	



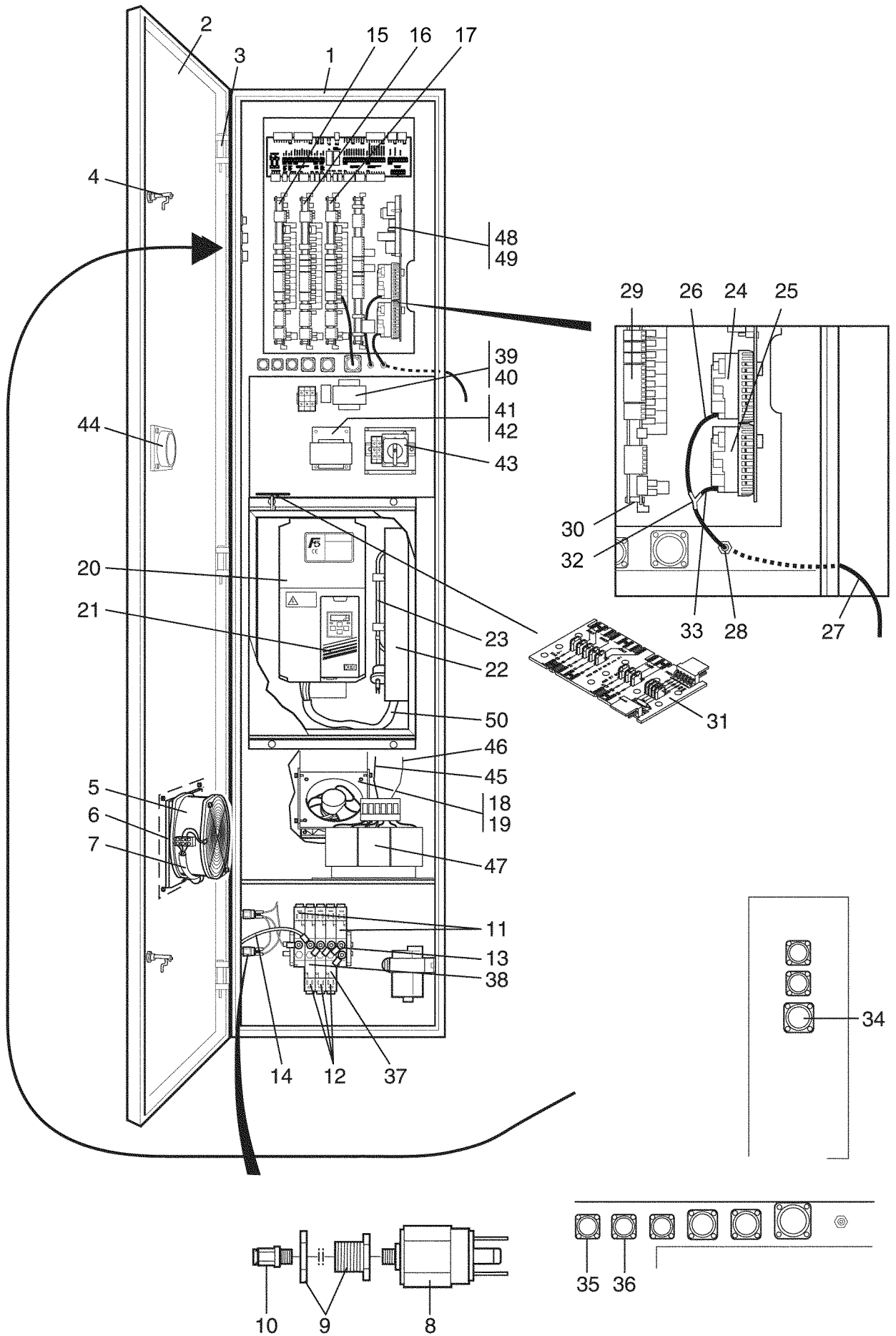
EX6200cl -1220/000440,EX6250cl -1220/000440

Electric cabinet, rear

Armoire électrique, arrière

Illustration Issue Month Year
Schéma Issue Month Year
102399/1 5 12 2010

Item Article	Quantity Quantité	Art.No Réf. article	Description	Description	Info Info	Notes Remarques
			EX6200cl			
			EX6250cl			
52	Rq	Rq	471 8887-01	Valve	Electrovanne	1,2
	Rq	Rq	471 8287-90	•Coil	•Bobine	3
53	Rq	Rq	471 8862-01	Pressure sensor	Capteur de pression	1,2
54	Rq	Rq	471 8690-22	Angle connector	Raccord d'angle	3 6/4
55	Rq	Rq	438 8102-02	Hose	Flexible	1 L=2700 Per 1 m
56	1	1	471 9821-05	Heating element	Élément chauffant	1,2 1,8kW 240V
57	1	1	438 8780-01	Printed circuit board	Carte circuit	1,2
58	2	2	471 8690-91	Bushing	Douille	3
59	2	2	471 8690-31	Connection	Embrayage	3
60						Not used
61						Not used
62	1	1	438 7302-03	Cable set	Jeu de câbles	3
63	1	1	438 7300-66	Cable set	Jeu de câbles	3
64	1	1	438 7302-01	Cable set	Jeu de câbles	3
65	1	1	438 9601-10	Fan	Ventilateur	1,2
66	1	1	438 9601-20	Filter	Filtre	3
67	1	1	438 9601-90	Cable set	Jeu de câbles	3
68	1	1	471 9676-08	Fan	Ventilateur	1,2
69	1	1	438 7302-19	Cable set	Jeu de câbles	3
70	1	1	438 3082-70	Clamp	Bride de fixation	3 HW/DS
71	1	1	438 9506-04	Choke	Choke	3
72	1	1	438 7302-34	Cable set	Jeu de câbles	3
73	1	1	438 7302-35	Cable set	Jeu de câbles	3 Without transformer
	1	1	438 7302-33	Cable set	Jeu de câbles	3 With transformer
74	1	1	471 8799-02	Program unit	Unité programmation	1



Issue Month Year
 01 12 10

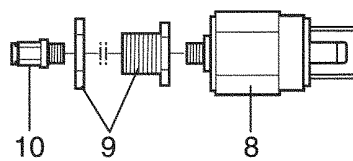
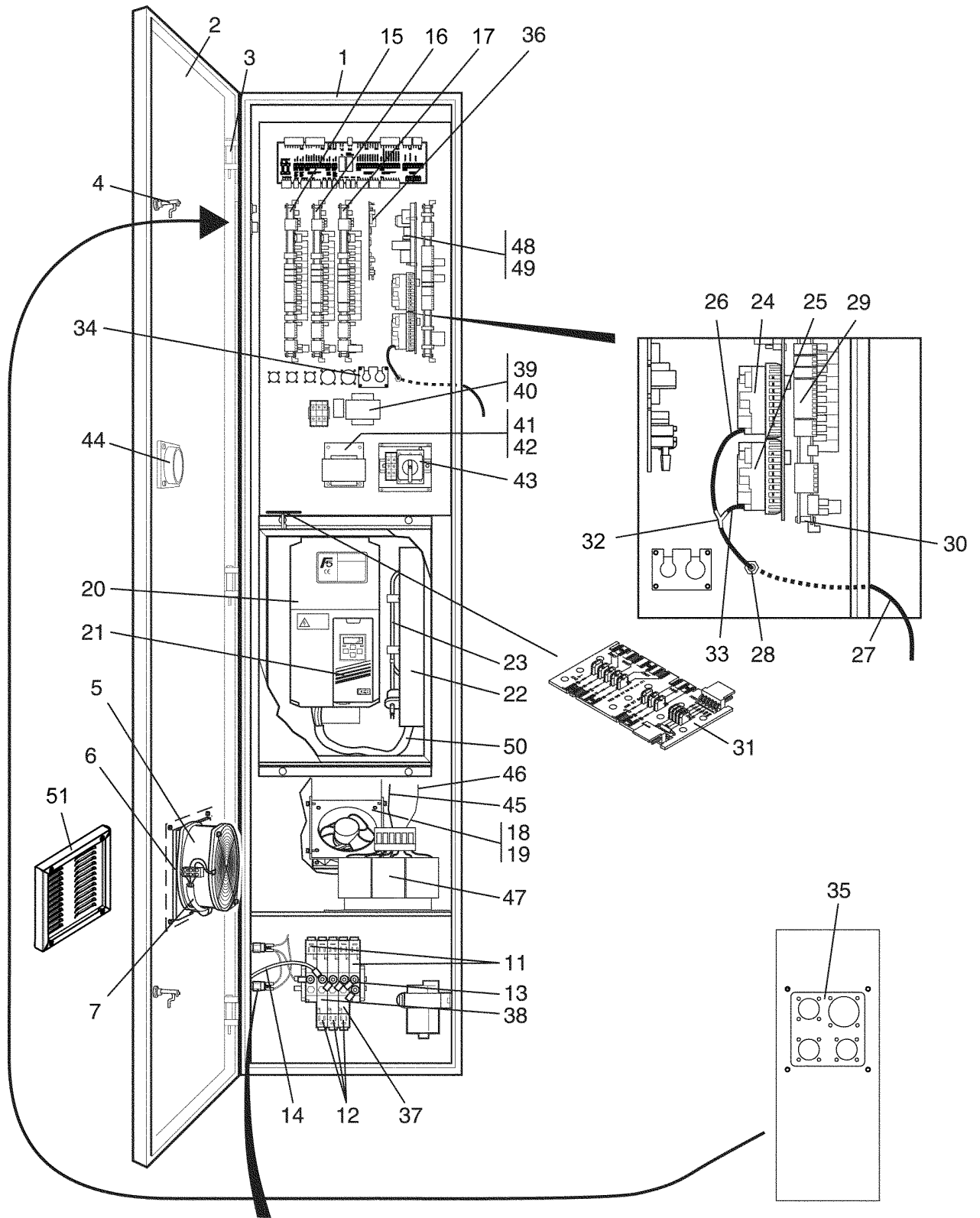
EX6200cl 1220/000441-000636,EX6250cl 1220/000441-000636

Electric cabinet, rear

Armoire électrique, arrière

Illustration Issue Month Year
Schéma Issue Month Year
500171 1 12 2010

Item Article	Qua. Qua.	Art.No Réf. article	Description	Description	Info Info	Notes Remarques
1	1	432 5090-03	Electric cabinet	Passage de câbles	3	
2	1	432 5094-04	Door	Porte	3	
3	2	472 7838-01	Hinged joint	Assemblage articulé	3	
4	3	471 7839-01	Lock	Serrure	1	
5	1	438 9601-10	Fan	Ventilateur	1,2	
6	1	438 9601-20	Filter	Filtre	3	
7	1	438 9601-90	Cable set	Jeu de câbles	3	
8	Rq	471 8862-01	Pressure sensor	Capteur de pression	1,2	
9	2	471 8690-91	Bushing	Douille	3	
10	2	471 8690-32	Connection	Embrayage	3	
11	Rq	471 8287-01	Valve	Electrovanne	1,2	
	Rq	471 8287-90	•Coil	•Bobine	3	
12	Rq	471 8287-21	Valve	Electrovanne	1,2	
	Rq	471 8287-90	•Coil	•Bobine	3	
13	Rq	471 8690-22	Angle connector	Raccord d'angle	3	6/4
14	Rq	438 8102-02	Hose	Flexible	1	L=2700 6/4
15	1		Printed circuit board	Carte circuit		I/O-card A11 See illustr. 500223
16	1		Printed circuit board	Carte circuit		I/O-card A12 See illustr. 500223
17	1		Printed circuit board	Carte circuit		I/O-card A13 See illustr. 500223
18	1	471 9676-08	Fan	Ventilateur	1,2	
19	1	438 7302-19	Cable set	Jeu de câbles	3	
20	1	471 9789-01	Motor control	Contrôle du moteur	1	W4850H, EX6200cl
	1	471 9789-05	Motor control	Contrôle du moteur	1	W41100H, EX6250cl
21	1	471 8799-02	Program unit	Unité programmation	1	
22	1	438 9502-01	Filter	Filtre	3	
23	1	471 9821-05	Heating element	Elément chauffant	1,2	1,8kW 240V
24	1	471 8859-15	Level control	Réglage de niveau	1,2	B5
25	1	471 8859-01	Level control	Réglage de niveau	1,2	B2
26	1	471 2264-03	Hose	Flexible	1	L=150
27	1	471 2440-40	Hose	Flexible	1	L=1400 B1
28	2	471 8164-00	Grommet	Oeillet	3	D7
29	5	432 0142-01	Bracket	Support de montage	3	
30	12	438 0299-01	Spacer	Entretoise	3	
31	1	438 8780-02	Printed circuit board	Carte circuit	1,2	
32	1	471 2265-69	T-pipe	Tube en T	3	
33	1	471 2449-95	Hose	Flexible	3	L=100
34	1		Cable set	Jeu de câbles		See illustr. 500223
35	1		Cable set	Jeu de câbles		See illustr. 500223
36	1		Cable set	Jeu de câbles		See illustr. 500223
37	1		Cable set	Jeu de câbles		See illustr. 500223
38	1		Cable set	Jeu de câbles		See illustr. 500223
39	1	471 8792-01	Transformer	Transformateur	1	
40	1		Cable set	Jeu de câbles		See illustr. 500223
41	1	438 9570-01	Transformer	Transformateur	1	
42	1		Cable set	Jeu de câbles		See illustr. 500223
43	1	438 9678-01	Main switch	Main switch	1	3-pole, 30A
44	1	471 9678-95	Knob	Bouton de porte	3	
45	1	438 7302-64	Cable set	Jeu de câbles	3	
46	1	438 7302-34	Cable set	Jeu de câbles	3	
47	1	438 9506-04	Choke	Choke	1	
48	1	438 9555-01	Printed circuit board	Carte circuit	1,2	Door lock B31
49	4	471 7958-02	Support	Support	3	
50	1	438 7302-48	Cable set	Jeu de câbles	3	



Issue Month Year
 02 11 11

EX6200cl 1220/000637-,EX6250cl 1220/000637-

Electric cabinet, rear

Armoire électrique, arrière

Illustration Issue Month Year
Schéma Issue Month Year
500228 2 11 2011

Item Article	Qua. Qua.	Art.No Réf. article	Description	Description	Info Info	Notes Remarques
1	1	438 6223-01	Electric cabinet	Passage de câbles	3	
2	1	432 5094-04	Door	Porte	3	
3	2	472 7838-01	Hinged joint	Assemblage articulé	3	
4	3	471 7839-01	Lock	Serrure	1	
5	1	438 9601-10	Fan	Ventilateur	1,2	
6	1	438 9601-20	Filter	Filtre	3	
7	1	438 9601-90	Cable set	Jeu de câbles	3	
8	Rq	471 8862-01	Pressure sensor	Capteur de pression	1,2	
9	2	471 8690-91	Bushing	Douille	3	
10	2	471 8690-32	Connection	Embrayage	3	
11	Rq	471 8287-01	Valve	Electrovanne	1,2	
	Rq	471 8287-90	•Coil	•Bobine	3	
12	Rq	471 8287-21	Valve	Electrovanne	1,2	
	Rq	471 8287-90	•Coil	•Bobine	3	
13	Rq	471 8690-22	Angle connector	Raccord d'angle	3	6/4
14	Rq	438 8102-02	Hose	Flexible	1	L=2700 6/4
15	1		Printed circuit board	Carte circuit		I/O-card A11 See illustr. 500224
16	1		Printed circuit board	Carte circuit		I/O-card A12 See illustr. 500224
17	1		Printed circuit board	Carte circuit		I/O-card A13 See illustr. 500224
18	1	471 9676-08	Fan	Ventilateur	1,2	
19	1	438 7302-19	Cable set	Jeu de câbles	3	
20	1	471 9789-01	Motor control	Contrôle du moteur	1	W4850H, EX6200cl
	1	471 9789-05	Motor control	Contrôle du moteur	1	W41100H, EX6250cl
21	1	471 8799-02	Program unit	Unité programmation	1	
22	1	438 9502-01	Filter	Filtre	3	
23	1	471 9821-05	Heating element	Elément chauffant	1,2	1,8kW 240V
24	1	471 8859-15	Level control	Réglage de niveau	1,2	B5
25	1	471 8859-01	Level control	Réglage de niveau	1,2	B2
26	1	471 2264-03	Hose	Flexible	1	L=150
27	1	471 2440-40	Hose	Flexible	1	L=1400 B1
28	2	471 8164-00	Grommet	Oeillet	3	D7
29	5	438 6217-01	Bracket	Support de montage	3	
30	12	438 0299-01	Spacer	Entretoise	3	
31	1	438 8780-02	Printed circuit board	Carte circuit	1,2	
32	1	471 2265-69	T-pipe	Tube en T	3	
33	1	471 2449-95	Hose	Flexible	3	L=100
34	1	438 6218-01	Plate	Plaque	3	
35	1	438 6219-01	Plate	Plaque	3	
36	1		Printed circuit board	Carte circuit		See illustr. 500224
37	1		Cable set	Jeu de câbles		See illustr. 500224
38	1		Cable set	Jeu de câbles		See illustr. 500224
39	1	471 8792-01	Transformer	Transformateur	1	
40	1		Cable set	Jeu de câbles		See illustr. 500224
41	1	438 9570-01	Transformer	Transformateur	1	
42	1		Cable set	Jeu de câbles		See illustr. 500224
43	1	438 9678-01	Main switch	Main switch	1	3-pole, 30A
44	1	471 9678-95	Knob	Bouton de porte	3	
45	1	438 7302-64	Cable set	Jeu de câbles	3	
46	1	438 7302-34	Cable set	Jeu de câbles	3	
47	1	438 9506-04	Choke	Choke	1	
48	1	438 9555-01	Printed circuit board	Carte circuit	1,2	Door lock B31
49	4	471 7958-02	Support	Support	3	
50	1	438 7302-48	Cable set	Jeu de câbles	3	
* 51	1	438 6244-01	Cover	Couvercle	3	

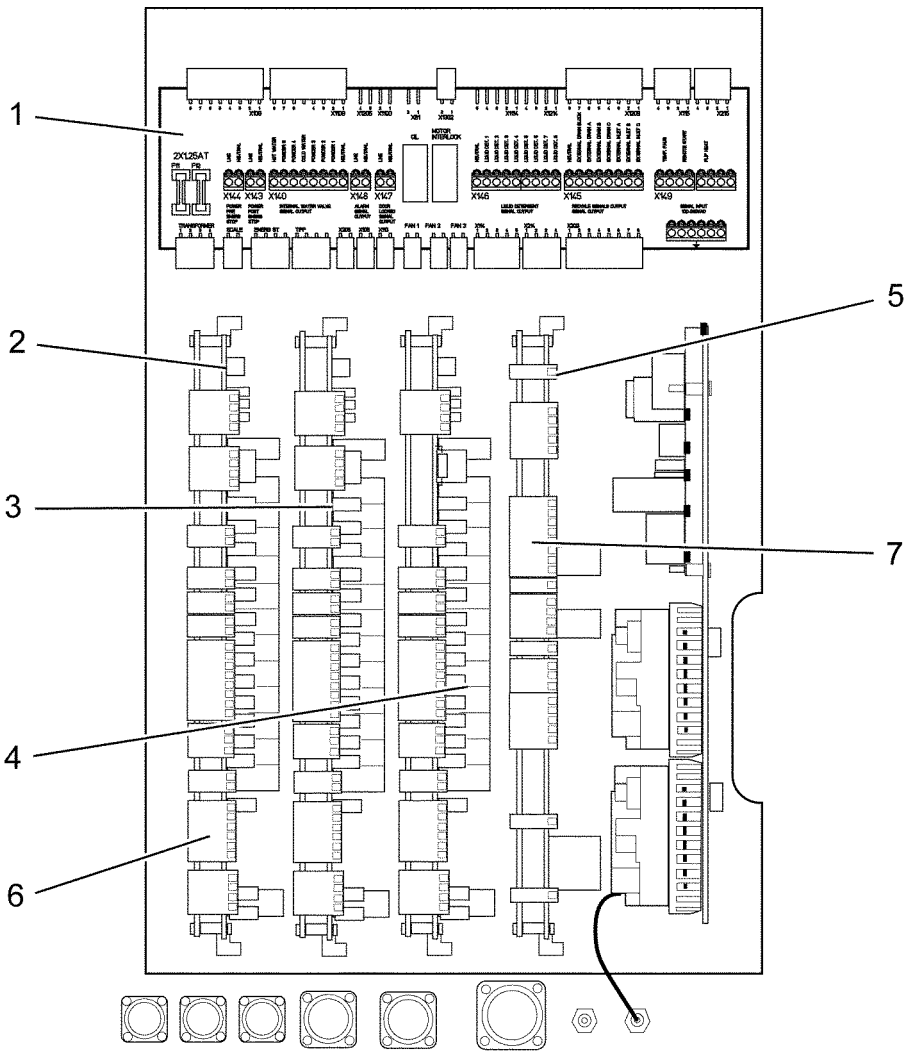
EX6102cl -980/001287

Printed circuit board

Carte circuit

Illustration	Issue	Month	Year
Schéma	Issue	Month	Year
500223	1	9	2011

Item Article	Qua. Qua.	Art.No Réf. article	Description	Description	Info Info	Notes Remarques
1	1	438 8773-01	Printed circuit board	Carte circuit	1,2	
2	1	471 8995-11	Printed circuit board	Carte circuit	1,2	I/O-card A11
3	1	471 8995-12	Printed circuit board	Carte circuit	1,2	I/O-card A12
4	1	471 8995-13	Printed circuit board	Carte circuit	1,2	I/O-card A13
5	1	438 8779-01	Printed circuit board	Carte circuit	1,2	Tilt
6	1	413 2910-01	Cable set	Jeu de câbles	3	Standard Complete
7	1	413 2910-02	Cable set	Jeu de câbles	3	Tilt Complete



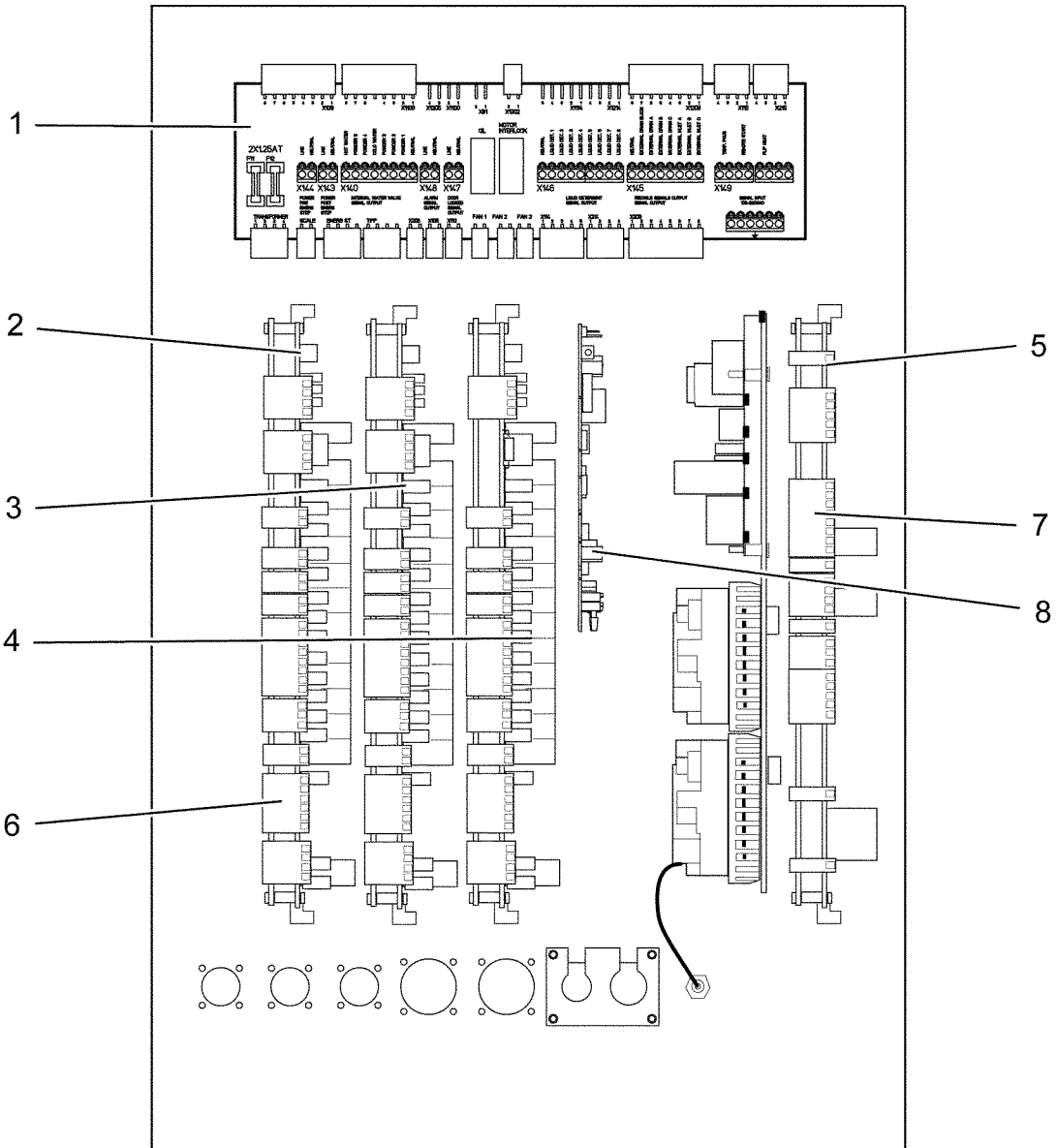
EX6135cl 980/000580-001287

Printed circuit board

Carte circuit

Illustration	Issue	Month	Year
Schéma	Issue	Month	Year
500223	1	9	2011

Item Article	Qua. Qua.	Art.No Réf. article	Description	Description	Info Info	Notes Remarques
1	1	438 8773-01	Printed circuit board	Carte circuit	1,2	
2	1	471 8995-11	Printed circuit board	Carte circuit	1,2	I/O-card A11
3	1	471 8995-12	Printed circuit board	Carte circuit	1,2	I/O-card A12
4	1	471 8995-13	Printed circuit board	Carte circuit	1,2	I/O-card A13
5	1	438 8779-01	Printed circuit board	Carte circuit	1,2	Tilt
6	1	413 2910-01	Cable set	Jeu de câbles	3	Standard Complete
7	1	413 2910-02	Cable set	Jeu de câbles	3	Tilt Complete



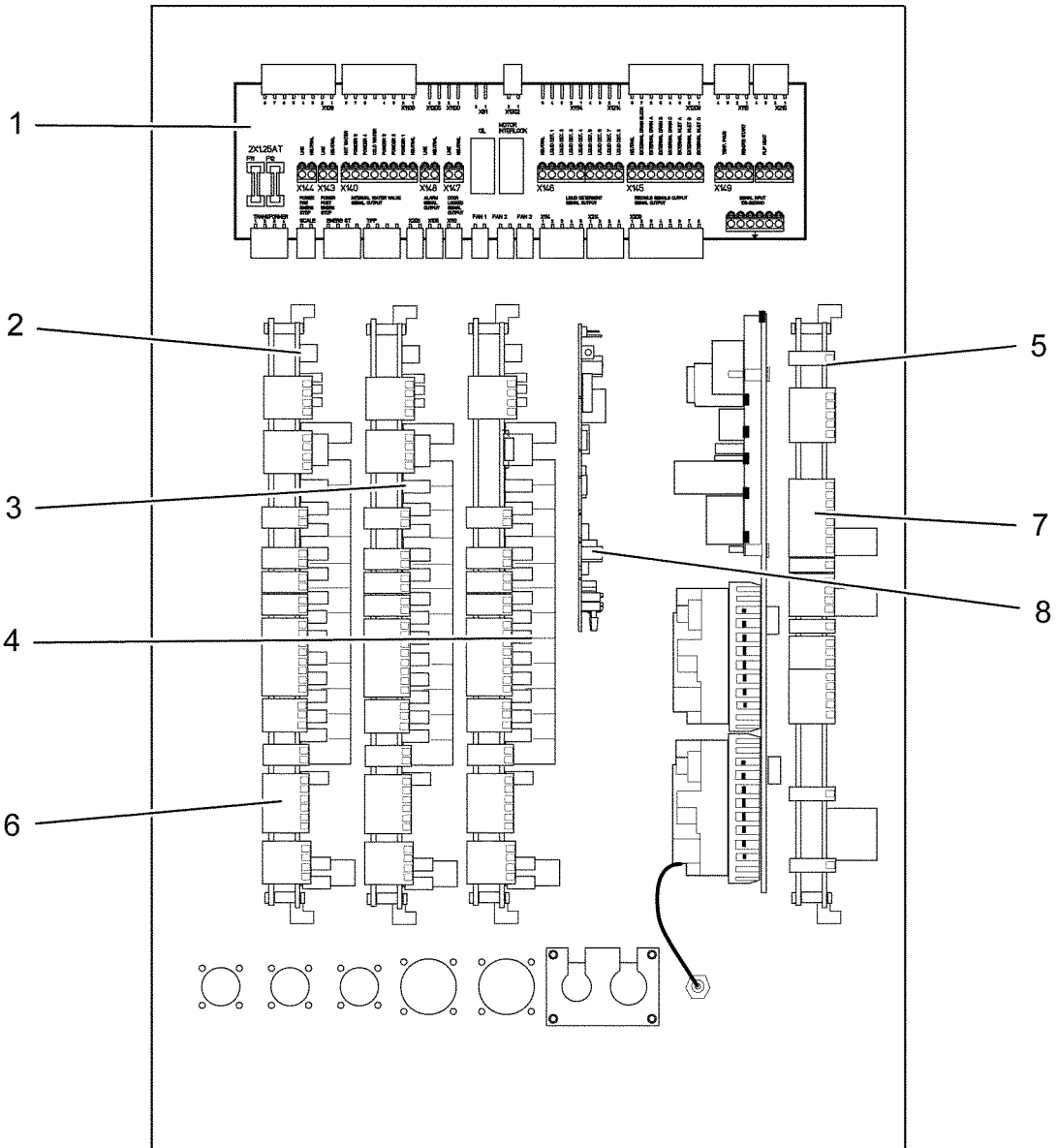
EX6102cl 980/001288-,EX6135cl 980/001288-

Printed circuit board

Carte circuit

Illustration Issue Month Year
Schéma Issue Month Year
500224 1 9 2011

Item Article	Quantity Quantité	Art.No Réf. article	Description	Description	Info Info	Notes Remarques
		EX6102cl				
		EX6135cl				
1	1	438 8773-01	Printed circuit board	Carte circuit	1,2	
2	1	471 8995-11	Printed circuit board	Carte circuit	1,2	I/O-card A11
3	1	471 8995-12	Printed circuit board	Carte circuit	1,2	I/O-card A12
4	1	471 8995-13	Printed circuit board	Carte circuit	1,2	I/O-card A13
5	1	438 8779-01	Printed circuit board	Carte circuit	1,2	Tilt
6	1	413 2910-03	Cable set	Jeu de câbles	3	Standard Complete
7	1	413 2910-04	Cable set	Jeu de câbles	3	Tilt Complete
8	1	471 8993-01	Printed circuit board	Carte circuit	1,2	Not configured
	1	438 7185-02	Printed circuit board	Carte circuit	1,2	7W11 2 I/O-cards Swedish
	1	438 7185-01	Printed circuit board	Carte circuit	1,2	7W11, 3 I/O-cards Swedish
	1	438 7185-03	Printed circuit board	Carte circuit	1,2	7W11 2 I/O-cards French
	1	438 7185-10	Printed circuit board	Carte circuit	1,2	7W11, 3 I/O-cards French
	1	438 7185-06	Printed circuit board	Carte circuit	1,2	7W11 2 I/O-cards English
	1	438 7185-11	Printed circuit board	Carte circuit	1,2	7W11, 2 I/O-cards, HW English
	1	438 7185-04	Printed circuit board	Carte circuit	1,2	7W11 3 I/O cards English
	1	438 7185-14	Printed circuit board	Carte circuit	1,2	7W12, 2 I/O-cards GB English
	1	438 7185-18	Printed circuit board	Carte circuit	1,2	7W12, 2 I/O-cards, HW NON-HEATING,USA
	1	438 7185-28	Printed circuit board	Carte circuit	1,2	7W12, 2 I/O-cards NON- HEATING,USA
	1	438 7185-30	Printed circuit board	Carte circuit	1,2	7W12, 2 I/O-cards Spanish
	1	438 7185-23	Printed circuit board	Carte circuit	1,2	7W12, 3 I/O-cards GB English
	1	438 7185-07	Printed circuit board	Carte circuit	1,2	7W11, 2 I/O-cards Norwegian
	1	438 7185-05	Printed circuit board	Carte circuit	1,2	7W11 3 I/O cards Norwegian
	1	438 7185-24	Printed circuit board	Carte circuit	1,2	7W11, 2 I/O-cards, HW Finnish
	1	438 7185-22	Printed circuit board	Carte circuit	1,2	7W11, 3 I/O-cards Finnish
	1	438 7185-09	Printed circuit board	Carte circuit	1,2	7W11, 2 I/O-cards Italian
	1	438 7185-12	Printed circuit board	Carte circuit	1,2	7W11, 2 I/O-cards Spanish
	1	438 7185-27	Printed circuit board	Carte circuit	1,2	7W11 3 I/O cards Spanish
	1	438 7185-13	Printed circuit board	Carte circuit	1,2	7W11, 2 I/O-cards German
	1	438 7185-17	Printed circuit board	Carte circuit	1,2	7W11, 3 I/O-cards Dutch
	1	438 7185-21	Printed circuit board	Carte circuit	1,2	7W11, 3 I/O-cards Danish
	1	438 7185-20	Printed circuit board	Carte circuit	1,2	7W11, 2 I/O-cards CZECISH
	1	438 7185-08	Printed circuit board	Carte circuit	1,2	7W11, 2 I/O-cards Russian
	1	438 7185-15	Printed circuit board	Carte circuit	1,2	7W13, 2 I/O-cards Japanese
	1	438 7185-29	Printed circuit board	Carte circuit	1,2	7G03, 3 I/O-cards GB English
	1	438 7185-19	Printed circuit board	Carte circuit	1,2	7G12, 1 I/O-card NON- HEATING,USA
	1	438 7183-60	Printed circuit board	Carte circuit	1,2	7G11, 3 I/O-cards German
	1	438 7183-31	Printed circuit board	Carte circuit	1,2	7W11 2 I/O-cards Swedish
	1	438 7183-32	Printed circuit board	Carte circuit	1,2	7W11 2 I/O-cards English
	1	438 7183-57	Printed circuit board	Carte circuit	1,2	7W11, 2 I/O-cards German
	1	438 7183-34	Printed circuit board	Carte circuit	1,2	7W11, 2 I/O-cards, DS English
	1	428 7183-55	Printed circuit board	Carte circuit	1,2	7W11 HW, 2 I/O-cards English
	1	438 7183-33	Printed circuit board	Carte circuit	1,2	7W11 2 I/O-cards Norwegian



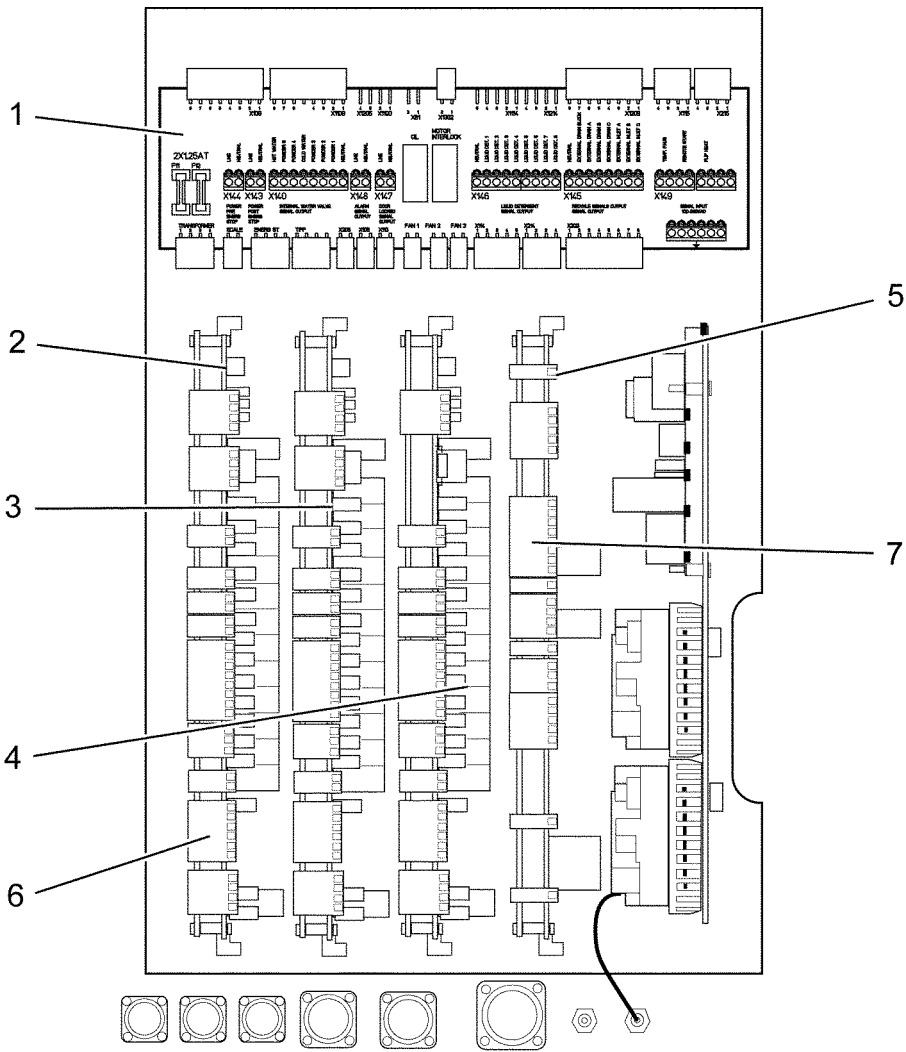
EX6102cl 980/001288-,EX6135cl 980/001288-

Printed circuit board

Carte circuit

Illustration Issue Month Year
Schéma Issue Month Year
500224 1 9 2011

Item Article	Quantity Quantité	Art.No Réf. article	Description	Description	Info Info	Notes Remarques
			EX6102cl			
			EX6135cl			
	1	438 7183-46	Printed circuit board	Carte circuit	1,2	7W11 3 I/O cards Norwegian
	1	438 7183-37	Printed circuit board	Carte circuit	1,2	7W12 2 I/O-cards GB English
	1	438 7183-36	Printed circuit board	Carte circuit	1,2	7W12 3 I/O-cards GB English
	1	438 7183-63	Printed circuit board	Carte circuit	1,2	7W12, 2 I/O-cards NON- HEATING,USA
	1	438 7183-38	Printed circuit board	Carte circuit	1,2	7W11 2 I/O-cards French
	1	438 7183-62	Printed circuit board	Carte circuit	1,2	7W11, 2 I/O-cards, HW French
	1	438 7183-47	Printed circuit board	Carte circuit	1,2	7W11 3 I/O cards French
	1	438 7183-43	Printed circuit board	Carte circuit	1,2	7W03, 2 I/O-card Japanese
	1	438 7183-42	Printed circuit board	Carte circuit	1,2	7W13, 3 I/O-cards, DS Japanese
	1	438 7183-41	Printed circuit board	Carte circuit	1,2	7W11 3 I/O cards Danish
	1	438 7183-35	Printed circuit board	Carte circuit	1,2	7W11 2 I/O-cards Danish
	1	438 7183-44	Printed circuit board	Carte circuit	1,2	7W11 3 I/O cards Spanish
	1	438 7183-40	Printed circuit board	Carte circuit	1,2	7W11 2 I/O-cards Spanish
	1	438 7183-61	Printed circuit board	Carte circuit	1,2	7W11, 2 I/O-cards, HW Spanish
	1	438 7183-45	Printed circuit board	Carte circuit	1,2	7W11, 3 I/O-cards, HW Spanish
	1	438 7183-39	Printed circuit board	Carte circuit	1,2	7W11 2 I/O-cards Italian
	1	438 7183-48	Printed circuit board	Carte circuit	1,2	7W11 3 I/O-cards Italian
	1	438 7183-50	Printed circuit board	Carte circuit	1,2	7W12 2 I/O-cards HW NON HEATING,USA
	1	438 7183-49	Printed circuit board	Carte circuit	1,2	7W12 3 I/O-card HW NON HEATING,USA
	1	438 7183-51	Printed circuit board	Carte circuit	1,2	7W11 2 I/O-cards Finnish
	1	438 7183-53	Printed circuit board	Carte circuit	1,2	7W11 3 I/O-cards HW Finnish
	1	438 7183-56	Printed circuit board	Carte circuit	1,2	7W11, 3 I/O-cards, DS Russian
	1	438 7183-66	Printed circuit board	Carte circuit	1,2	7W11, 2 I/O-cards CZECISH
	1	438 7183-65	Printed circuit board	Carte circuit	1,2	7W11, non-heated, 3 I/O- cards CZECISH



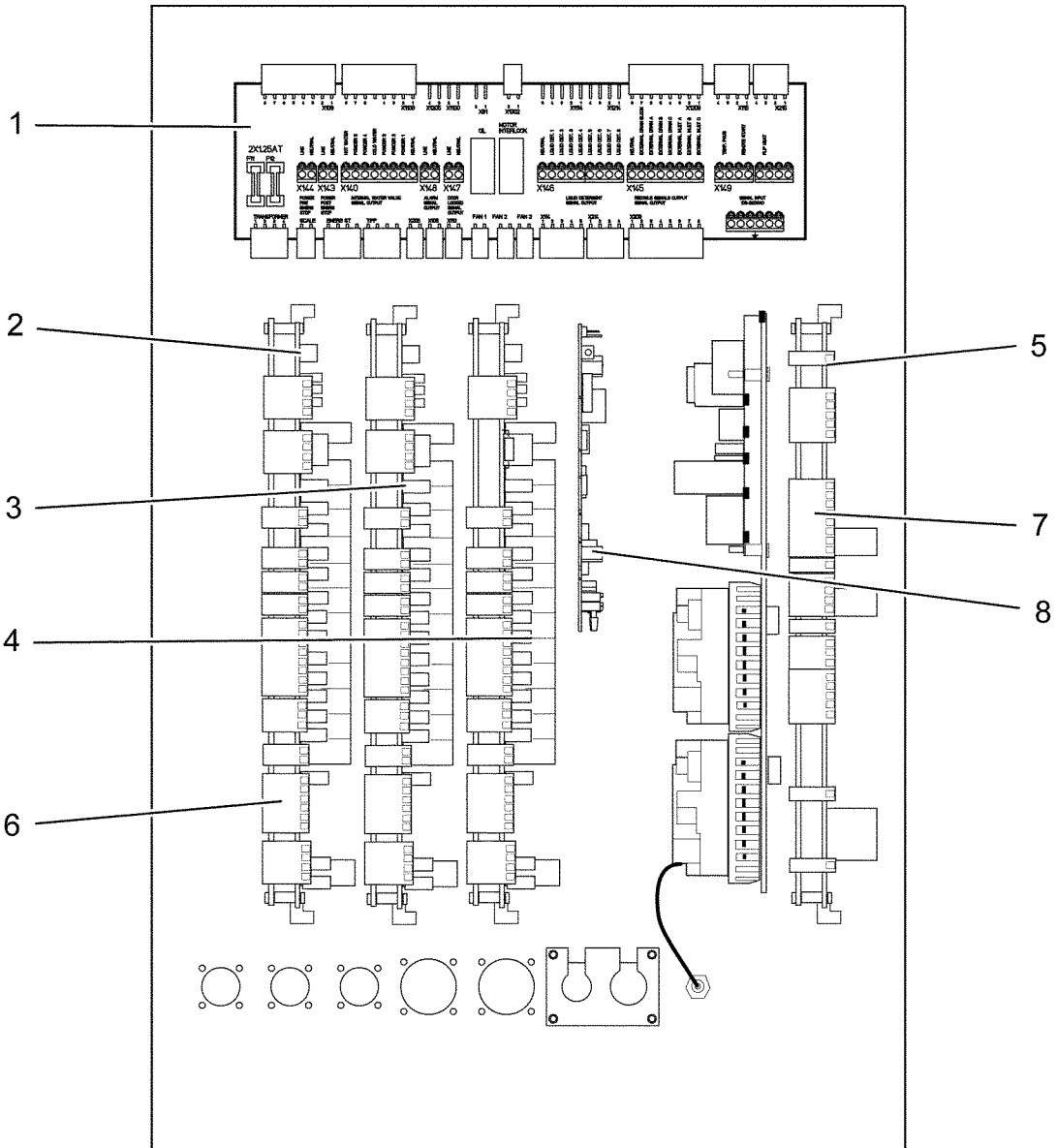
EX6200cl 1220/000441-000636,EX6250cl 1220/000441-000636

Printed circuit board

Illustration	Issue	Month	Year
Schéma	Issue	Month	Year
500223	1	9	2011

Carte circuit

Item Article	Qua. Qua.	Art.No Réf. article	Description	Description	Info Info	Notes Remarques
1	1	438 8773-01	Printed circuit board	Carte circuit	1,2	
2	1	471 8995-11	Printed circuit board	Carte circuit	1,2	I/O-card A11
3	1	471 8995-12	Printed circuit board	Carte circuit	1,2	I/O-card A12
4	1	471 8995-13	Printed circuit board	Carte circuit	1,2	I/O-card A13
5	1	438 8779-01	Printed circuit board	Carte circuit	1,2	Tilt
6	1	413 2910-01	Cable set	Jeu de câbles	1,2	Standard Complete
7	1	413 2910-02	Cable set	Jeu de câbles	1,2	Tilt Complete



EX6200cl 1220/000637-,EX6250cl 1220/000637-

Printed circuit board

Carte circuit

Illustration Issue Month Year
Schéma Issue Month Year
500224 1 9 2011

Item Article	Quantity Quantité	Art.No Réf. article	Description	Description	Info Info	Notes Remarques
		EX6200cl				
		EX6250cl				
1	1	438 8773-01	Printed circuit board	Carte circuit	1,2	
2	1	471 8995-11	Printed circuit board	Carte circuit	1,2	I/O-card A11
3	1	471 8995-12	Printed circuit board	Carte circuit	1,2	I/O-card A12
4	1	471 8995-13	Printed circuit board	Carte circuit	1,2	I/O-card A13
5	1	438 8779-01	Printed circuit board	Carte circuit	1,2	Tilt
6	1	413 2910-03	Cable set	Jeu de câbles	3	Standard Complete
7	1	413 2910-04	Cable set	Jeu de câbles	3	Tilt Complete
8	1	471 8993-01	Printed circuit board	Carte circuit	1,2	Not configured
	1	438 7197-01	Printed circuit board	Carte circuit	1,2	7W11, 3 I/O-cards, DS English
	1	438 7197-62	Printed circuit board	Carte circuit	1,2	7G12, 2 I/O-cards, DS NON-HEATING,USA
	1	438 7197-67	Printed circuit board	Carte circuit	1,2	7M01, 2 I/O-cards, DS
	1	438 7197-70	Printed circuit board	Carte circuit	1,2	7M01, 3 I/O-cards, DS English
	1	438 7197-69	Printed circuit board	Carte circuit	1,2	7M01, 3 I/O-cards, DS Norwegian
	1	438 7197-68	Printed circuit board	Carte circuit	1,2	7M01, 3 I/O-cards English
	1	438 7197-02	Printed circuit board	Carte circuit	1,2	7W11, 2 I/O-cards, DS Swedish
	1	438 7197-03	Printed circuit board	Carte circuit	1,2	7W11, 2 I/O-cards, DS Dutch
	1	438 7197-04	Printed circuit board	Carte circuit	1,2	7W11, 2 I/O-cards, DS English
	1	438 7197-05	Printed circuit board	Carte circuit	1,2	7W11, 2 I/O-cards, DS Finnish
	1	438 7197-32	Printed circuit board	Carte circuit	1,2	7W11, 3 I/O-cards, DS Finnish
	1	438 7197-50	Printed circuit board	Carte circuit	1,2	7W11, 2 I/O-cards Russian
	1	438 7197-58	Printed circuit board	Carte circuit	1,2	7W11, 3 I/O-cards Polish
	1	438 7197-57	Printed circuit board	Carte circuit	1,2	7W11, 3 I/O-cards, HW French
	1	438 7197-66	Printed circuit board	Carte circuit	1,2	7M01, 2 I/O-cards, DS English
	1	438 7197-65	Printed circuit board	Carte circuit	1,2	7M01, 3 I/O-cards, DS Swedish
	1	438 7197-64	Printed circuit board	Carte circuit	1,2	7M01, 3 I/O-cards, DS English
	1	438 7197-63	Printed circuit board	Carte circuit	1,2	7M01, 3 I/O-cards, DS French
	1	438 7197-33	Printed circuit board	Carte circuit	1,2	7W11, 3 I/O-cards, DS Finnish
	1	438 7197-34	Printed circuit board	Carte circuit	1,2	7W11, 2 I/O-cards, DS Finnish
	1	438 7197-06	Printed circuit board	Carte circuit	1,2	7W11, 2 I/O-cards, DS Swedish
	1	438 7197-07	Printed circuit board	Carte circuit	1,2	7W11, 2 I/O-cards, DS English
	1	438 7197-08	Printed circuit board	Carte circuit	1,2	7W13, 2 I/O-cards, DS Japanese
	1	438 7197-09	Printed circuit board	Carte circuit	1,2	7W11, 2 I/O-cards, DS Danish
	1	438 7197-40	Printed circuit board	Carte circuit	1,2	7W11 3 I/O-cards HW Danish
	1	438 7197-10	Printed circuit board	Carte circuit	1,2	7W11, 2 I/O-cards, HW Spanish

EX6200cl 1220/000637-,EX6250cl 1220/000637-

Printed circuit board

Carte circuit

Illustration Issue Month Year
Schéma Issue Month Year
500224 1 9 2011

Item Article	Quantity Quantité	Art.No Réf. article	Description	Description	Info Info	Notes Remarques
		EX6200cl				
		EX6250cl				
	1	438 7197-39	Printed circuit board	Carte circuit	1,2	7W12 HW 2 I/O-cards NON HEATING,USA
	1	438 7197-60	Printed circuit board	Carte circuit	1,2	7W12, 2 I/O-cards, DS NON-HEATING,USA
	1	438 7197-56	Printed circuit board	Carte circuit	1,2	7W01, 3 I/O-cards, DS Russian
	1	438 7197-11	Printed circuit board	Carte circuit	1,2	7W11, 2 I/O-cards, DS Norway
	1	438 7197-12	Printed circuit board	Carte circuit	1,2	7W11, 2 I/O-cards, DS Norway
	1	438 7197-13	Printed circuit board	Carte circuit	1,2	7W11, 3 I/O-cards, DS Swedish
	1	438 7197-14	Printed circuit board	Carte circuit	1,2	7W11, 3 I/O-cards, DS Dutch
	1	438 7197-15	Printed circuit board	Carte circuit	1,2	7W11, 3 I/O-cards, DS English
	1	438 7197-16	Printed circuit board	Carte circuit	1,2	7W11, 3 I/O-cards, DS Swedish
	1	438 7197-17	Printed circuit board	Carte circuit	1,2	7W13, 3 I/O-cards, DS Japanese
	1	438 7197-41	Printed circuit board	Carte circuit	1,2	7W11, 3 I/O-cards, DS French
	1	438 7197-44	Printed circuit board	Carte circuit	1,2	7W11 3 I/O-cards HW French
	1	438 7197-37	Printed circuit board	Carte circuit	1,2	7W11, 2 I/O-cards, DS French
	1	438 7197-18	Printed circuit board	Carte circuit	1,2	7W11, 3 I/O-cards, DS Danish
	1	438 7197-19	Printed circuit board	Carte circuit	1,2	7W11, 3 I/O-cards, HW Spanish
	1	438 7197-48	Printed circuit board	Carte circuit	1,2	7W11, 2 I/O-cards, DS Spanish
	1	438 7197-20	Printed circuit board	Carte circuit	1,2	7W11, 3 I/O-cards, DS Norway
	1	438 7197-21	Printed circuit board	Carte circuit	1,2	7W11, 3 I/O-cards, DS Norwegian
	1	438 7197-22	Printed circuit board	Carte circuit	1,2	7W11, 3 I/O-cards, HW Spain
	1	438 7197-23	Printed circuit board	Carte circuit	1,2	7W11, 3 I/O-cards, DS Spanish
	1	438 7197-24	Printed circuit board	Carte circuit	1,2	7W11, 2 I/O-cards, DS Danish
	1	438 7197-46	Printed circuit board	Carte circuit	1,2	7W11 2 I/O-cards Italian
	1	438 7197-71	Printed circuit board	Carte circuit	1,2	7W11, 2 I/O-cards Spanish
	1	438 7197-25	Printed circuit board	Carte circuit	1,2	7W11, 3 I/O-cards, DS Italian
	1	438 7197-26	Printed circuit board	Carte circuit	1,2	7W11, 2 I/O-cards, DS German
	1	438 7197-28	Printed circuit board	Carte circuit	1,2	7W11, 3 I/O-cards, DS Danish
	1	438 7197-29	Printed circuit board	Carte circuit	1,2	7W11, 2 I/O-cards, HW English
	1	438 7197-55	Printed circuit board	Carte circuit	1,2	7W12, 2 I/O-cards, DS English
	1	438 7197-36	Printed circuit board	Carte circuit	1,2	7W12 HW 2 I/O-cards NON-HEATING,USA

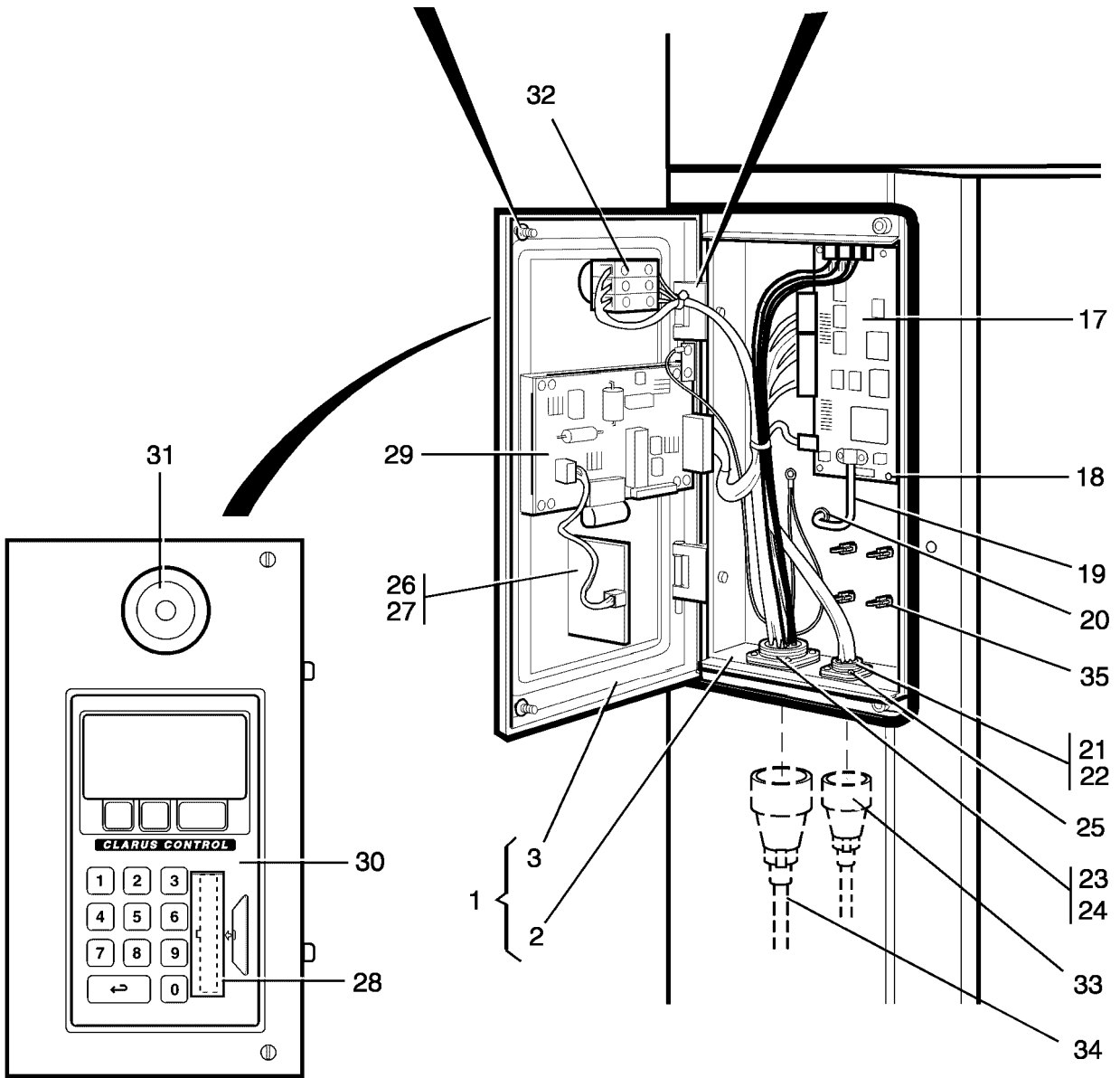
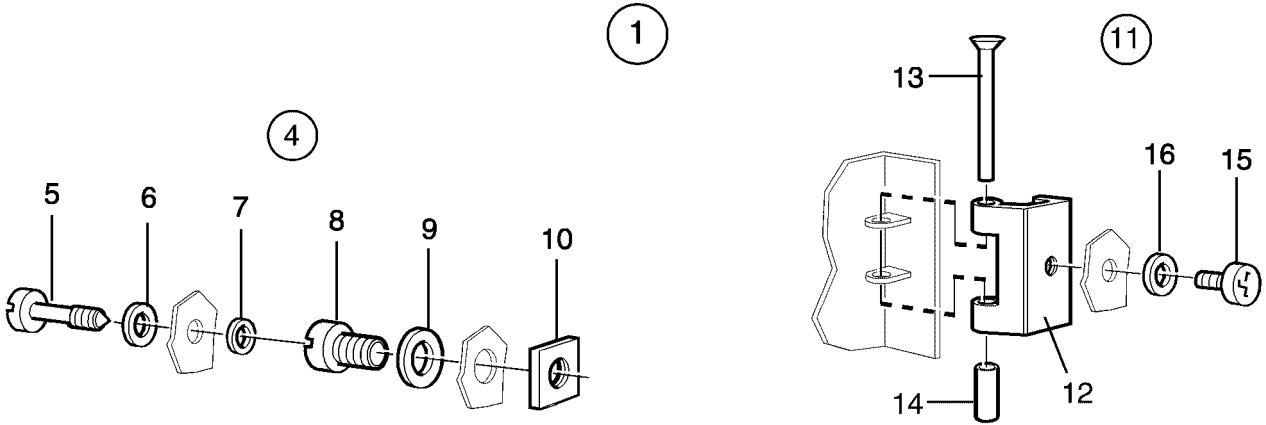
EX6200cl 1220/000637-,EX6250cl 1220/000637-

Printed circuit board

Carte circuit

Illustration	Issue	Month	Year
Schéma	Issue	Month	Year
500224	1	9	2011

Item Article	Quantity Quantité	Art.No Réf. article	Description	Description	Info Info	Notes Remarques
		EX6200cl				
	1	EX6250cl				
	1	438 7197-42	Printed circuit board	Carte circuit	1,2	7W11, 2 I/O-cards, DS CZECISH
	1	438 7197-30	Printed circuit board	Carte circuit	1,2	7W11, 2 I/O-cards, DS Spanish
	1	438 7197-31	Printed circuit board	Carte circuit	1,2	7W11, 3 I/O-cards, HW English
	1	438 7197-35	Printed circuit board	Carte circuit	1,2	7W01 4 I/Ocards Hands-off Swedish



Issue	Month	Year
01	06	06

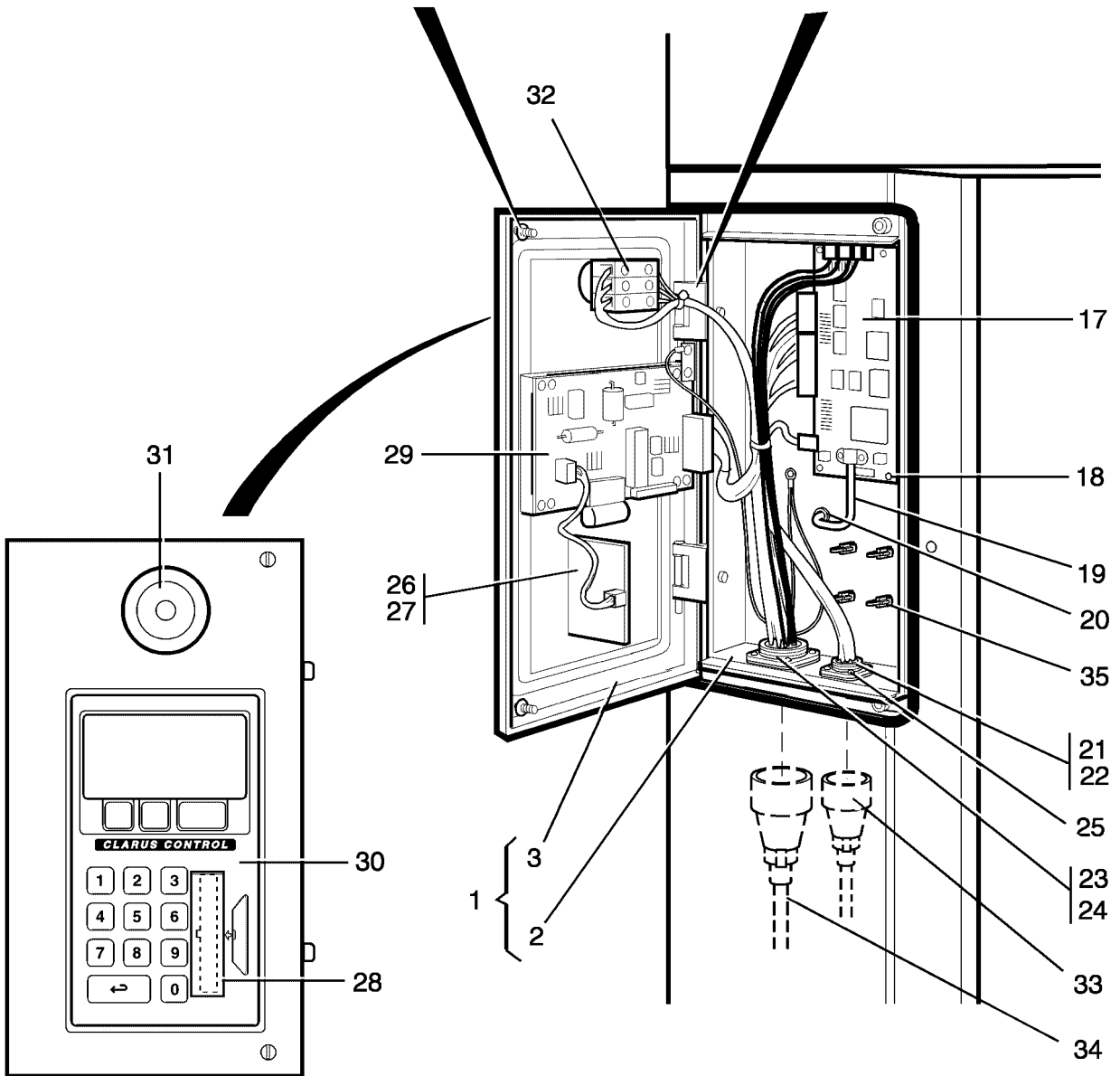
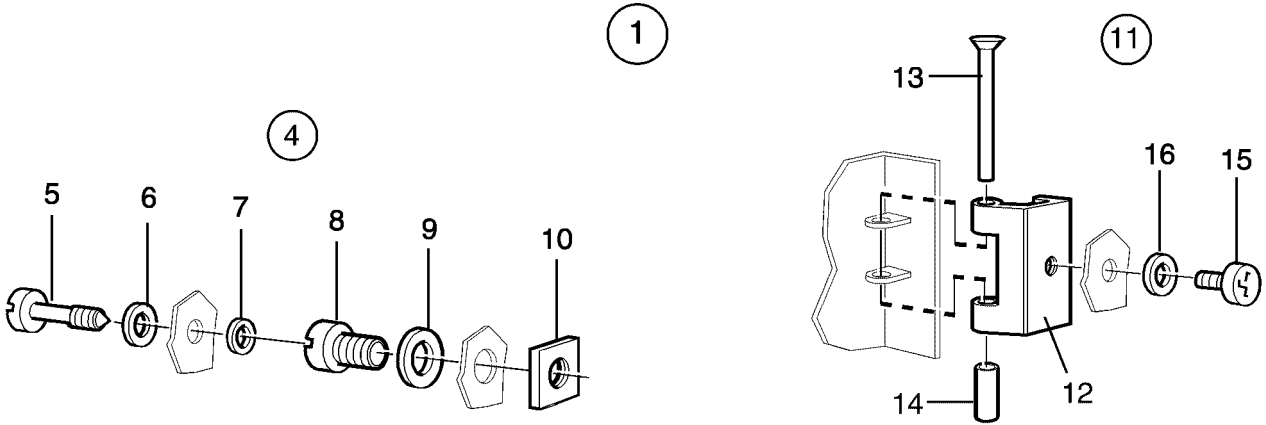
EX6102cl -980/001287,EX6135cl -980/001287

Electric cabinet, front

Armoire électrique, avant

Illustration Issue Month Year
Schéma Issue Month Year
102368/1 10 3 2011

Item Article	Quantity Quantité	Art.No Réf. article	Description	Description	Info Info	Notes Remarques
		EX6102cl				
		EX6135cl				
1	1	432 0173-01	Box	Boîtier	3	
2	1	432 0146-01	•Box	•Boîtier	3	
3	1	432 0143-01	•Door	•Porte	3	
4	2	471 8362-01	•Bracket	•Support de montage	3	Complete
5	2	471 8362-10	••Screw	••Vis	3	
6	2	471 8362-20	••Washer	••Rondelle	3	
7	2	471 8362-30	••Washer	••Rondelle	3	
8	2	471 8362-40	••Nut	••Écrou	3	
9	2	471 8362-50	••Washer	••Rondelle	3	
10	2	471 8362-60	••Nut	••Écrou	3	
11	2	471 7837-01	•Hinge	•Charnière	3	COMPL.
12	2	471 7837-10	••Hinge	••Charnière	3	
13	2	471 7837-30	••Pin	••Goupille/broche	3	
14	2	471 7837-40	••Safety cover	••Revêtement protection	3	
15	2	471 7837-50	••Screw	••Vis	3	
16	2	471 7837-60	•••Washer	•••Rondelle	3	
17	1	471 8993-01	Printed circuit board	Carte circuit	1,2	Not configured
	1	438 7185-02	Printed circuit board	Carte circuit	1,2	7W11 2 I/O-cards Swedish
	1	438 7185-01	Printed circuit board	Carte circuit	1,2	7W11, 3 I/O-cards Swedish
	1	438 7185-03	Printed circuit board	Carte circuit	1,2	7W11 2 I/O-cards French
	1	438 7185-10	Printed circuit board	Carte circuit	1,2	7W11, 3 I/O-cards French
	1	438 7185-06	Printed circuit board	Carte circuit	1,2	7W11 2 I/O-cards English
	1	438 7185-11	Printed circuit board	Carte circuit	1,2	7W11, 2 I/O-cards, HW English
	1	438 7185-04	Printed circuit board	Carte circuit	1,2	7W11 3 I/O cards English
	1	438 7185-14	Printed circuit board	Carte circuit	1,2	7W12, 2 I/O-cards GB English
	1	438 7185-18	Printed circuit board	Carte circuit	1,2	7W12, 2 I/O-cards, HW NON-HEATING,USA
	1	438 7185-28	Printed circuit board	Carte circuit	1,2	7W12, 2 I/O-cards NON- HEATING,USA
	1	438 7185-30	Printed circuit board	Carte circuit	1,2	7W12, 2 I/O-cards Spanish
	1	438 7185-23	Printed circuit board	Carte circuit	1,2	7W12, 3 I/O-cards GB English
	1	438 7185-07	Printed circuit board	Carte circuit	1,2	7W11, 2 I/O-cards Norwegian
	1	438 7185-05	Printed circuit board	Carte circuit	1,2	7W11 3 I/O cards Norwegian
	1	438 7185-24	Printed circuit board	Carte circuit	1,2	7W11, 2 I/O-cards, HW Finnish
	1	438 7185-22	Printed circuit board	Carte circuit	1,2	7W11, 3 I/O-cards Finnish
	1	438 7185-09	Printed circuit board	Carte circuit	1,2	7W11, 2 I/O-cards Italian
	1	438 7185-12	Printed circuit board	Carte circuit	1,2	7W11, 2 I/O-cards Spanish
	1	438 7185-27	Printed circuit board	Carte circuit	1,2	7W11 3 I/O cards Spanish
	1	438 7185-13	Printed circuit board	Carte circuit	1,2	7W11, 2 I/O-cards German
	1	438 7185-17	Printed circuit board	Carte circuit	1,2	7W11, 3 I/O-cards Dutch
	1	438 7185-21	Printed circuit board	Carte circuit	1,2	7W11, 3 I/O-cards Danish
	1	438 7185-20	Printed circuit board	Carte circuit	1,2	7W11, 2 I/O-cards CZECISH
	1	438 7185-08	Printed circuit board	Carte circuit	1,2	7W11, 2 I/O-cards Russian
	1	438 7185-15	Printed circuit board	Carte circuit	1,2	7W13, 2 I/O-cards Japanese
	1	438 7185-29	Printed circuit board	Carte circuit	1,2	7G03, 3 I/O-cards GB English
	1	438 7185-19	Printed circuit board	Carte circuit	1,2	7G12, 1 I/O-card NON- HEATING,USA
	1	438 7183-60	Printed circuit board	Carte circuit	1,2	7G11, 3 I/O-cards German



Issue	Month	Year
01	06	06

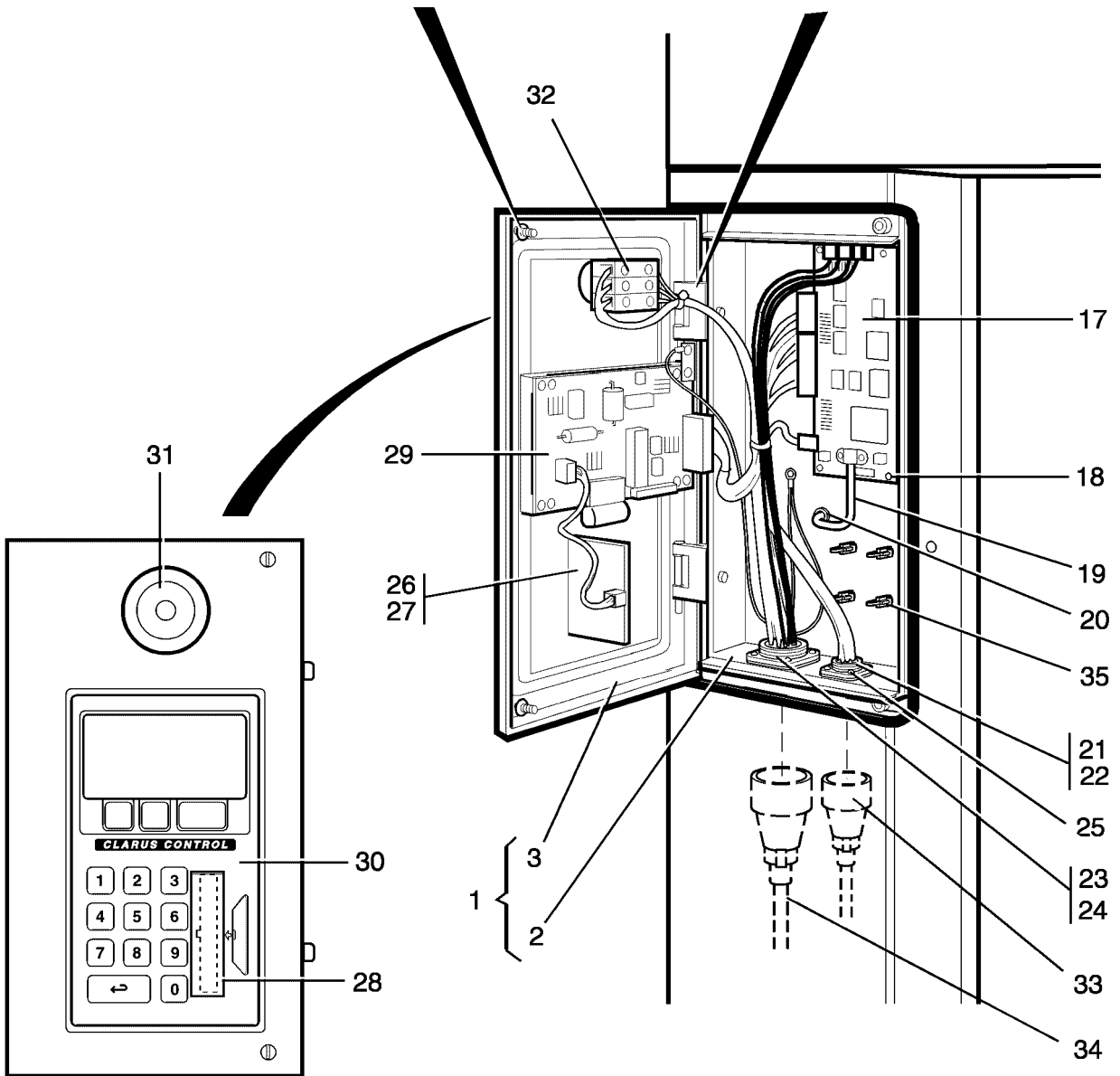
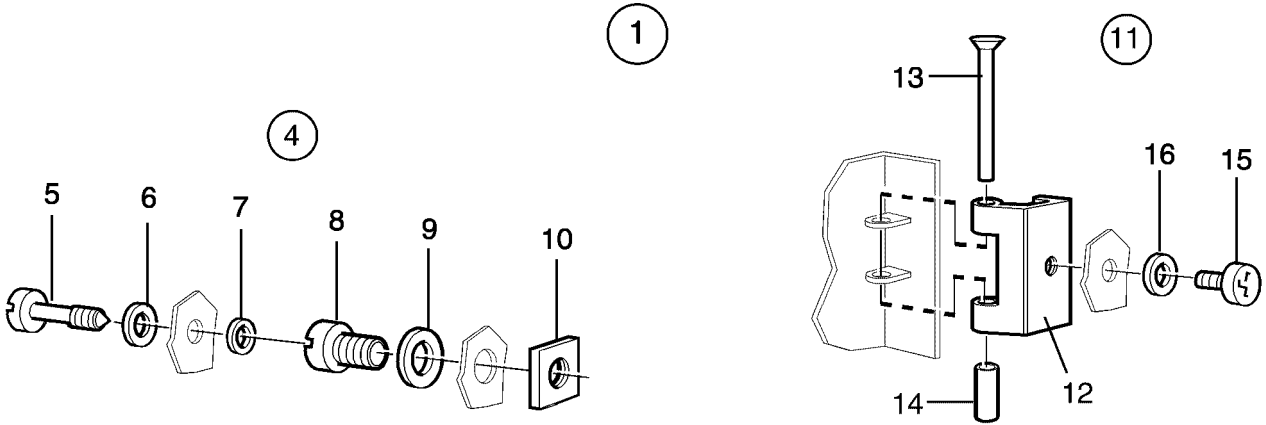
EX6102cl -980/001287,EX6135cl -980/001287

Electric cabinet, front

Armoire électrique, avant

Illustration Issue Month Year
Schéma Issue Month Year
102368/1 10 3 2011

Item Article	Quantity Quantité	Art.No Réf. article	Description	Description	Info Info	Notes Remarques
		EX6102cl				
		EX6135cl				
	1	438 7183-31	Printed circuit board	Carte circuit	1,2	7W11 2 I/O-cards Swedish
	1	438 7183-32	Printed circuit board	Carte circuit	1,2	7W11 2 I/O-cards English
	1	438 7183-57	Printed circuit board	Carte circuit	1,2	7W11, 2 I/O-cards German
	1	438 7183-34	Printed circuit board	Carte circuit	1,2	7W11, 2 I/O-cards, DS English
	1	428 7183-55	Printed circuit board	Carte circuit	1,2	7W11 HW, 2 I/O-cards English
	1	438 7183-33	Printed circuit board	Carte circuit	1,2	7W11 2 I/O-cards Norwegian
	1	438 7183-46	Printed circuit board	Carte circuit	1,2	7W11 3 I/O cards Norwegian
	1	438 7183-37	Printed circuit board	Carte circuit	1,2	7W12 2 I/O-cards GB English
	1	438 7183-36	Printed circuit board	Carte circuit	1,2	7W12 3 I/O-cards GB English
	1	438 7183-63	Printed circuit board	Carte circuit	1,2	7W12, 2 I/O-cards NON- HEATING,USA
	1	438 7183-38	Printed circuit board	Carte circuit	1,2	7W11 2 I/O-cards French
	1	438 7183-62	Printed circuit board	Carte circuit	1,2	7W11, 2 I/O-cards, HW French
	1	438 7183-47	Printed circuit board	Carte circuit	1,2	7W11 3 I/O cards French
	1	438 7183-43	Printed circuit board	Carte circuit	1,2	7W03, 2 I/O-card Japanese
	1	438 7183-42	Printed circuit board	Carte circuit	1,2	7W13, 3 I/O-cards, DS Japanese
	1	438 7183-41	Printed circuit board	Carte circuit	1,2	7W11 3 I/O cards Danish
	1	438 7183-35	Printed circuit board	Carte circuit	1,2	7W11 2 I/O-cards Danish
	1	438 7183-44	Printed circuit board	Carte circuit	1,2	7W11 3 I/O cards Spanish
	1	438 7183-40	Printed circuit board	Carte circuit	1,2	7W11 2 I/O-cards Spanish
	1	438 7183-61	Printed circuit board	Carte circuit	1,2	7W11, 2 I/O-cards, HW Spanish
	1	438 7183-45	Printed circuit board	Carte circuit	1,2	7W11, 3 I/O-cards, HW Spanish
	1	438 7183-39	Printed circuit board	Carte circuit	1,2	7W11 2 I/O-cards Italian
	1	438 7183-48	Printed circuit board	Carte circuit	1,2	7W11 3 I/O-cards Italian
	1	438 7183-50	Printed circuit board	Carte circuit	1,2	7W12 2 I/O-cards HW NON HEATING,USA
	1	438 7183-49	Printed circuit board	Carte circuit	1,2	7W12 3 I/O-card HW NON HEATING,USA
	1	438 7183-51	Printed circuit board	Carte circuit	1,2	7W11 2 I/O-cards Finnish
	1	438 7183-53	Printed circuit board	Carte circuit	1,2	7W11 3 I/O-cards HW Finnish
	1	438 7183-56	Printed circuit board	Carte circuit	1,2	7W11, 3 I/O-cards, DS Russian
	1	438 7183-66	Printed circuit board	Carte circuit	1,2	7W11, 2 I/O-cards CZECISH
	1	438 7183-65	Printed circuit board	Carte circuit	1,2	7W11, non-heated, 3 I/O- cards CZECISH
18	4	471 8341-11	Screw	Vis	3	MRT 4X6
19	1	438 8120-03	Hose	Flexible	1	L=1600
20	1	471 8164-00	Grommet	Oeillet	3	D7
21	1	438 7300-40	Cable set	Jeu de câbles	3	
22	1	438 8152-03	Gasket	Joint	3	4-pole AMP
23	1	438 7300-40	Cable set	Jeu de câbles	3	
24	1	438 8152-01	Gasket	Joint	3	37-pole AMP
25	8	471 8454-01	Rivet	Rivet	3	
26	1	471 8793-01	Card reader	Lecteur de carte	1	
27	1	432 0150-01	Bracket	Pièce de retenue	3	



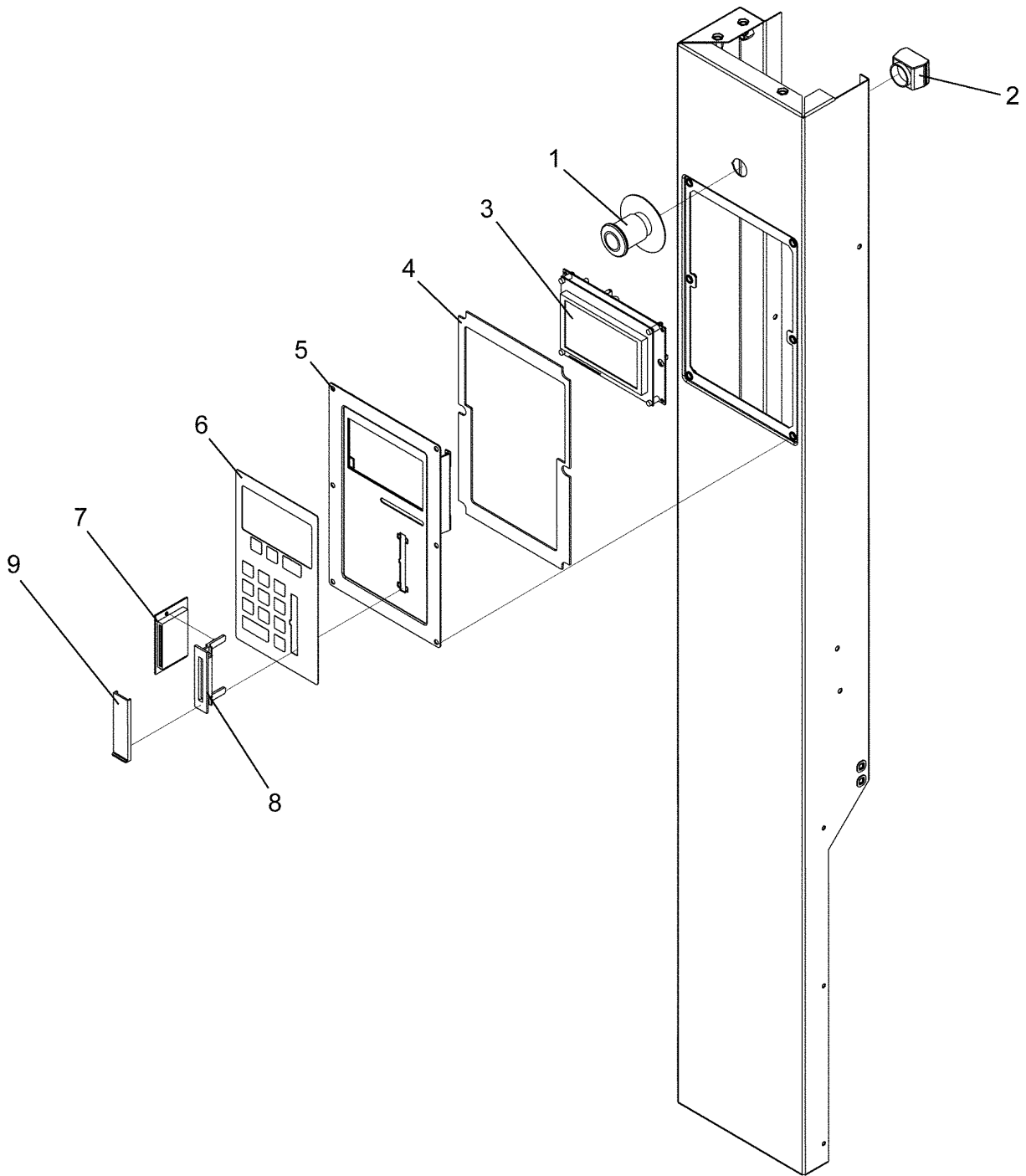
EX6102cl -980/001287,EX6135cl -980/001287

Electric cabinet, front

Armoire électrique, avant

Illustration	Issue	Month	Year
Schéma	Issue	Month	Year
102368/1	10	3	2011

Item Article	Quantity Quantité	Art.No Réf. article	Description	Description	Info Info	Notes Remarques
		EX6102cl				
		EX6135cl				
28	1	1	432 0149-01	Rubber cap	3	
29	1	1	471 8997-04	Display	1,2	
30	1	1	472 5787-01	Control panel	1,2	
31	1	1	471 9628-32	Emergency stop	1	
32	1	1	471 9628-33	Contact block	1	
33	1	1	438 7300-42	Cable set	3	Sensor, temp.
34	1	1	438 7300-41	Cable set	3	
35	4	4	471 7958-02	Support	3	



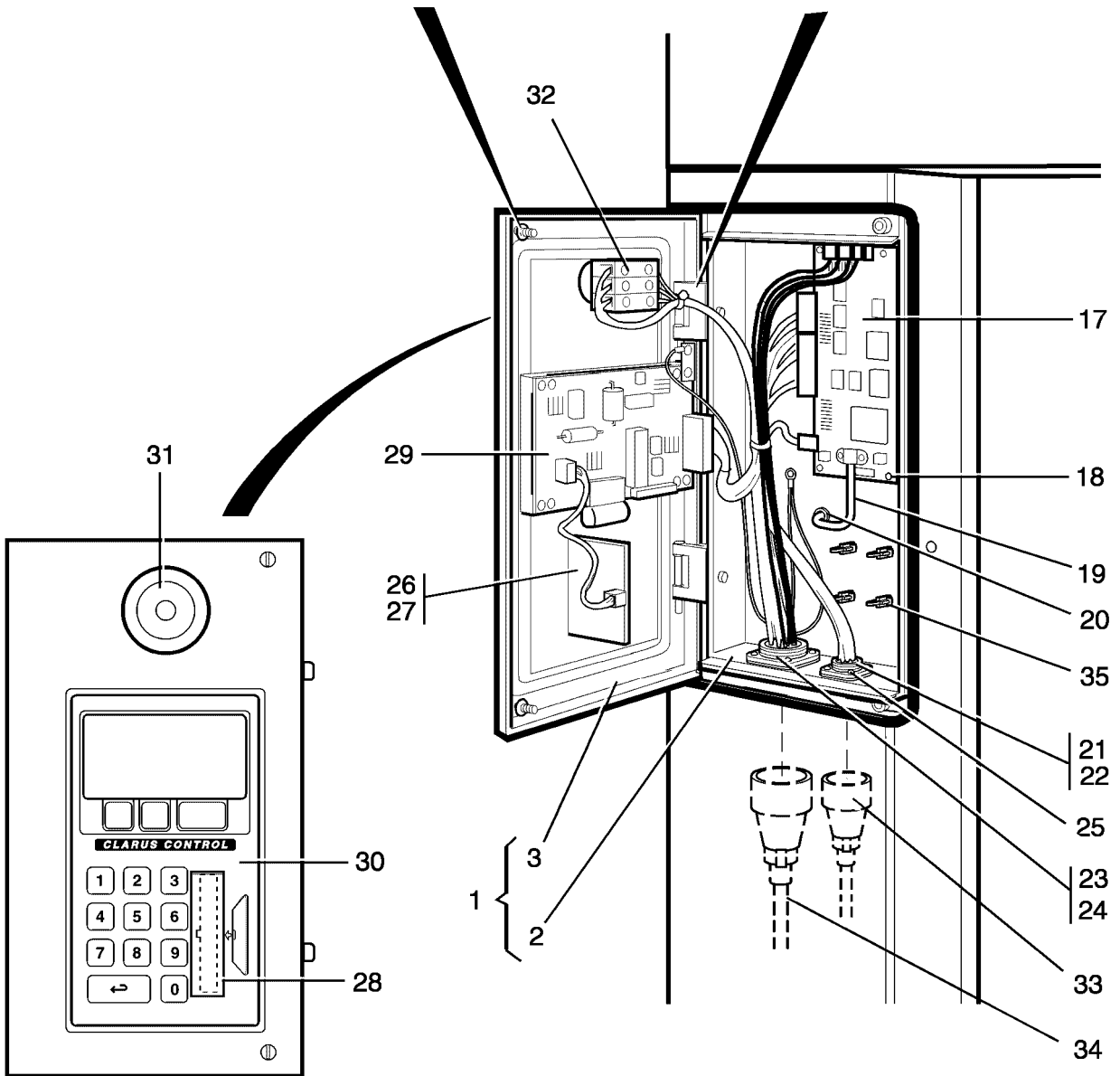
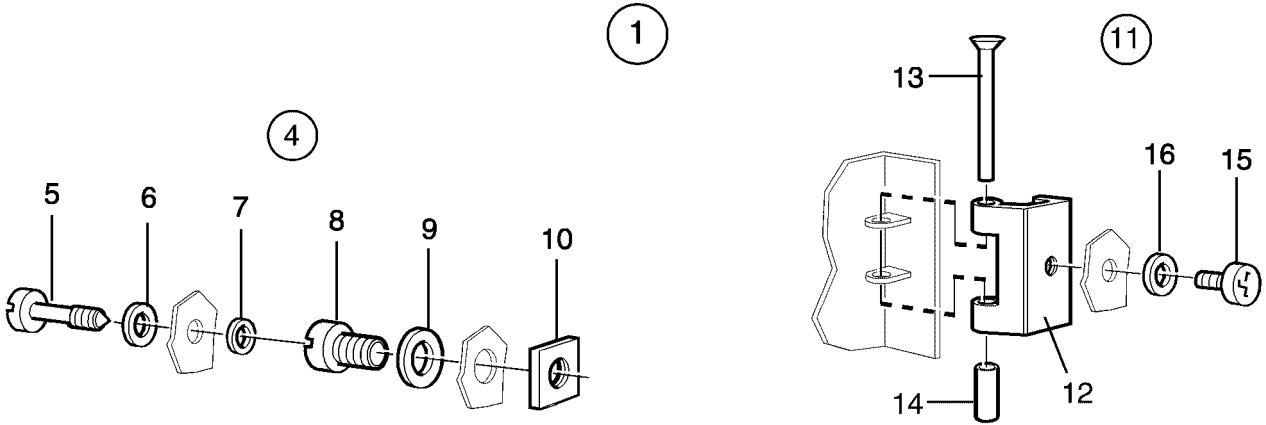
EX6102cl 980/001288-,EX6135cl 980/001288-

Electric cabinet, front

Armoire électrique, avant

Illustration	Issue	Month	Year
Schéma	Issue	Month	Year
500214	1	8	2011

Item Article	Qua. Qua.	Art.No Réf. article	Description	Description	Info Info	Notes Remarques
1	1	471 9628-32	Emergency stop	Arrêt d'urgence	3	
2	1	471 9628-33	Contact block	Bloc de connexion	3	
3	1	471 8997-05	Display	Affichage	3	
4	1	438 6225-01	Gasket	Joint	3	
5	1	438 6212-01	Plate	Plaque	3	
6	1	472 5787-01	Control panel	Pupitre de commande	3	
7	1	471 8793-01	Card reader	Lecteur de carte	3	
8	1	432 0150-01	Bracket	Pièce de retenue	3	
9	1	432 0149-01	Rubber cap	Capuchon caoutchouc	3	



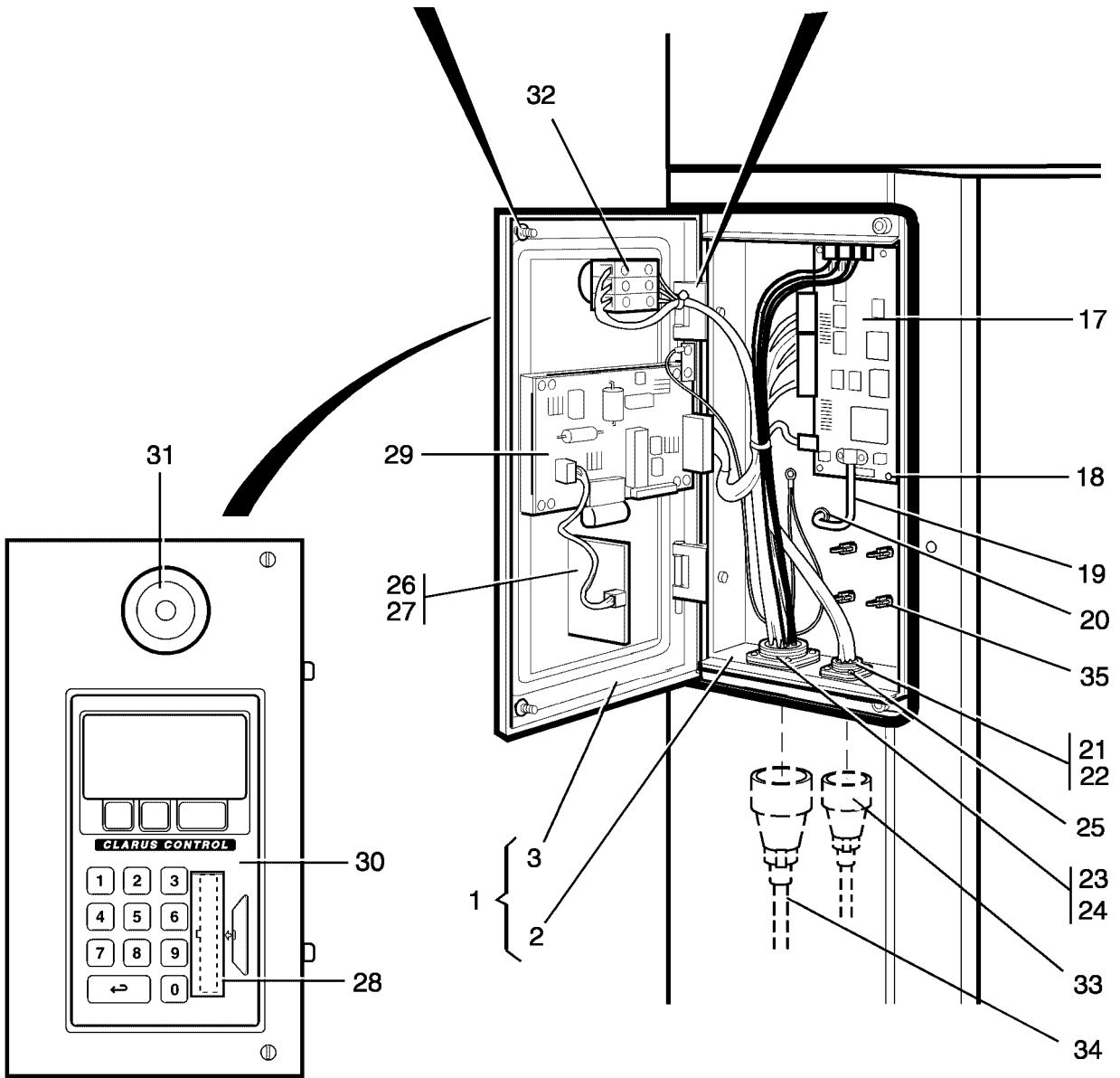
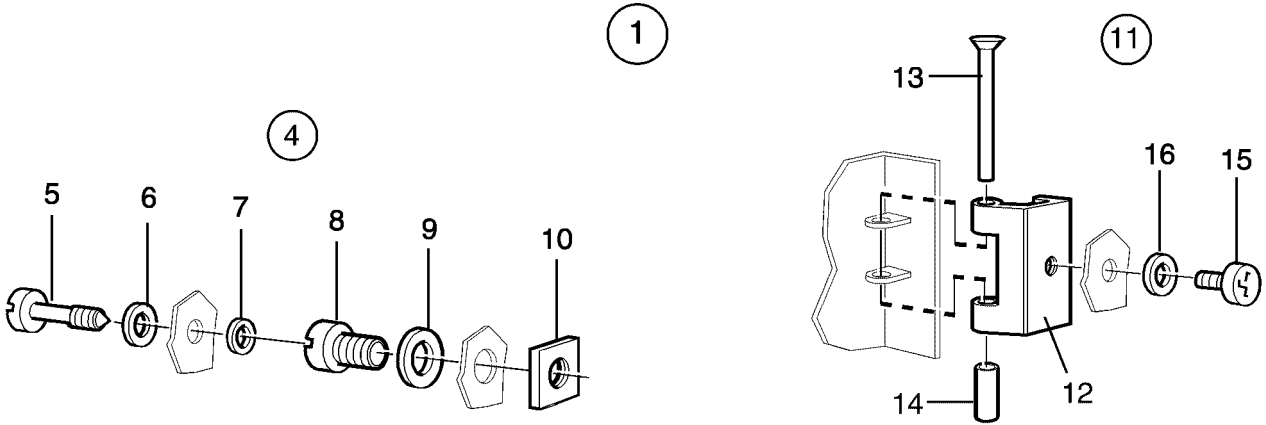
EX6200cl -1220/000636,EX6250cl -1220/000636

Electric cabinet, front

Armoire électrique, avant

Illustration Issue Month Year
Schéma Issue Month Year
102368/1 10 3 2011

Item Article	Quantity Quantité	Art.No Réf. article	Description	Description	Info Info	Notes Remarques
		EX6200cl				
		EX6250cl				
1	1	432 0173-01	Box	Boîtier	3	
2	1	432 0146-01	•Box	•Boîtier	3	
3	1	432 0143-01	•Door	•Porte	3	
4	2	471 8362-01	•Bracket	•Support de montage	3	Complete
5	2	471 8362-10	••Screw	••Vis	3	
6	2	471 8362-20	••Washer	••Rondelle	3	
7	2	471 8362-30	••Washer	••Rondelle	3	
8	2	471 8362-40	••Nut	••Écrou	3	
9	2	471 8362-50	••Washer	••Rondelle	3	
10	2	471 8362-60	••Nut	••Écrou	3	
11	2	471 7837-01	•Hinge	•Charnière	3	COMPL.
12	2	471 7837-10	••Hinge	••Charnière	3	
13	2	471 7837-30	••Pin	••Goupille/broche	3	
14	2	471 7837-40	••Safety cover	••Revêtement protection	3	
15	2	471 7837-50	••Screw	••Vis	3	
16	2	471 7837-60	•••Washer	•••Rondelle	3	
17	1	471 8993-01	Printed circuit board	Carte circuit	1,2	Not configured
		438 7197-01	Printed circuit board	Carte circuit	1,2	7W11, 3 I/O-cards, DS English
	1	438 7197-62	Printed circuit board	Carte circuit	1,2	7G12, 2 I/O-cards, DS NON-HEATING,USA
	1	438 7197-67	Printed circuit board	Carte circuit	1,2	7M01, 2 I/O-cards, DS
	1	438 7197-70	Printed circuit board	Carte circuit	1,2	7M01, 3 I/O-cards, DS English
	1	438 7197-69	Printed circuit board	Carte circuit	1,2	7M01, 3 I/O-cards, DS Norwegian
	1	438 7197-68	Printed circuit board	Carte circuit	1,2	7M01, 3 I/O-cards English
	1	438 7197-02	Printed circuit board	Carte circuit	1,2	7W11, 2 I/O-cards, DS Swedish
	1	438 7197-03	Printed circuit board	Carte circuit	1,2	7W11, 2 I/O-cards, DS Dutch
	1	438 7197-04	Printed circuit board	Carte circuit	1,2	7W11, 2 I/O-cards, DS English
	1	438 7197-05	Printed circuit board	Carte circuit	1,2	7W11, 2 I/O-cards, DS Finnish
	1	438 7197-32	Printed circuit board	Carte circuit	1,2	7W11, 3 I/O-cards, DS Finnish
	1	438 7197-50	Printed circuit board	Carte circuit	1,2	7W11, 2 I/O-cards Russian
	1	438 7197-58	Printed circuit board	Carte circuit	1,2	7W11, 3 I/O-cards Polish
	1	438 7197-57	Printed circuit board	Carte circuit	1,2	7W11, 3 I/O-cards, HW French
	1	438 7197-66	Printed circuit board	Carte circuit	1,2	7M01, 2 I/O-cards, DS English
	1	438 7197-65	Printed circuit board	Carte circuit	1,2	7M01, 3 I/O-cards, DS Swedish
	1	438 7197-64	Printed circuit board	Carte circuit	1,2	7M01, 3 I/O-cards, DS English
	1	438 7197-63	Printed circuit board	Carte circuit	1,2	7M01, 3 I/O-cards, DS French
	1	438 7197-33	Printed circuit board	Carte circuit	1,2	7W11, 3 I/O-cards, DS Finnish
	1	438 7197-34	Printed circuit board	Carte circuit	1,2	7W11, 2 I/O-cards, DS Finnish
	1	438 7197-06	Printed circuit board	Carte circuit	1,2	7W11, 2 I/O-cards, DS Swedish
	1	438 7197-07	Printed circuit board	Carte circuit	1,2	7W11, 2 I/O-cards, DS English



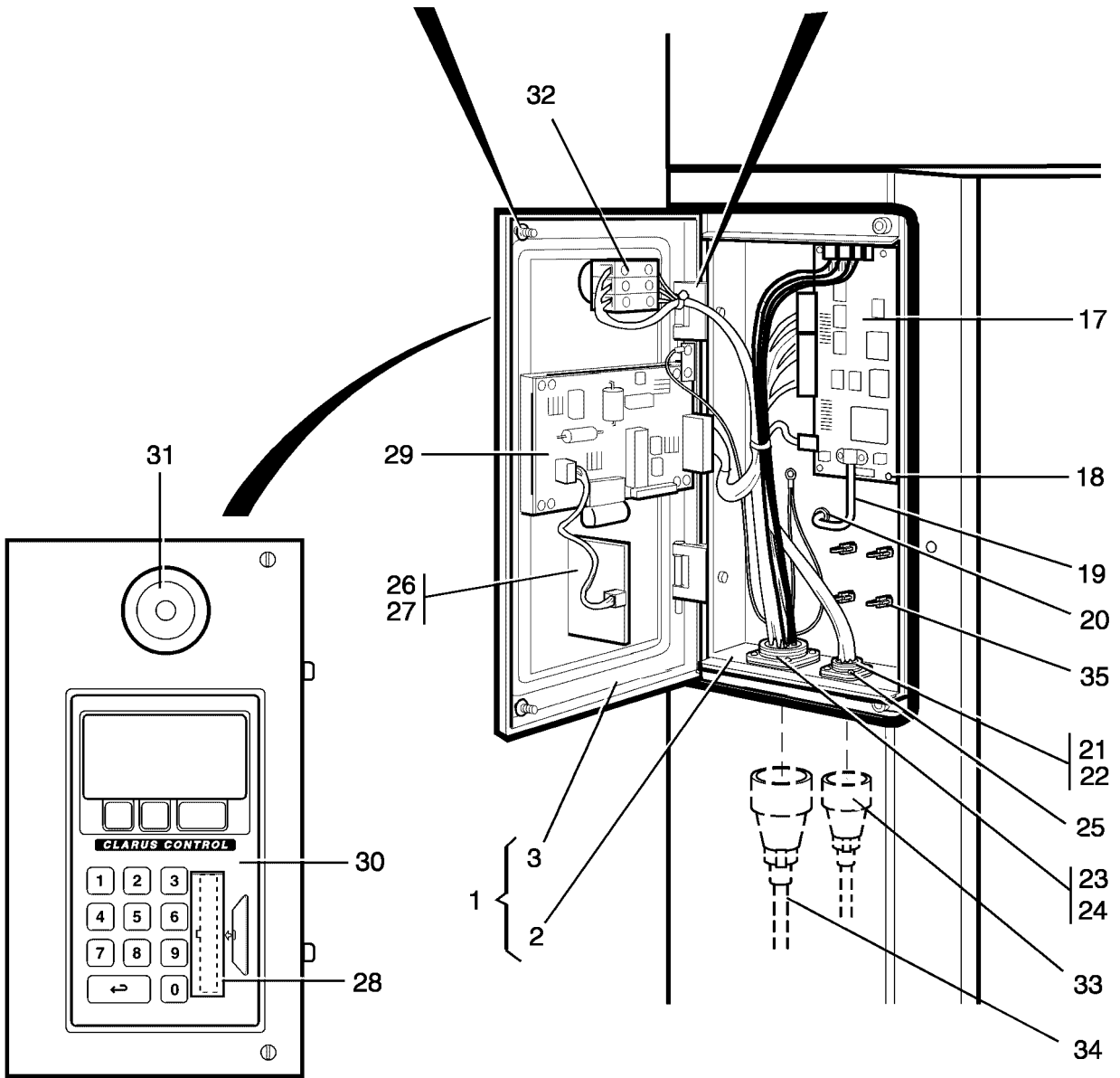
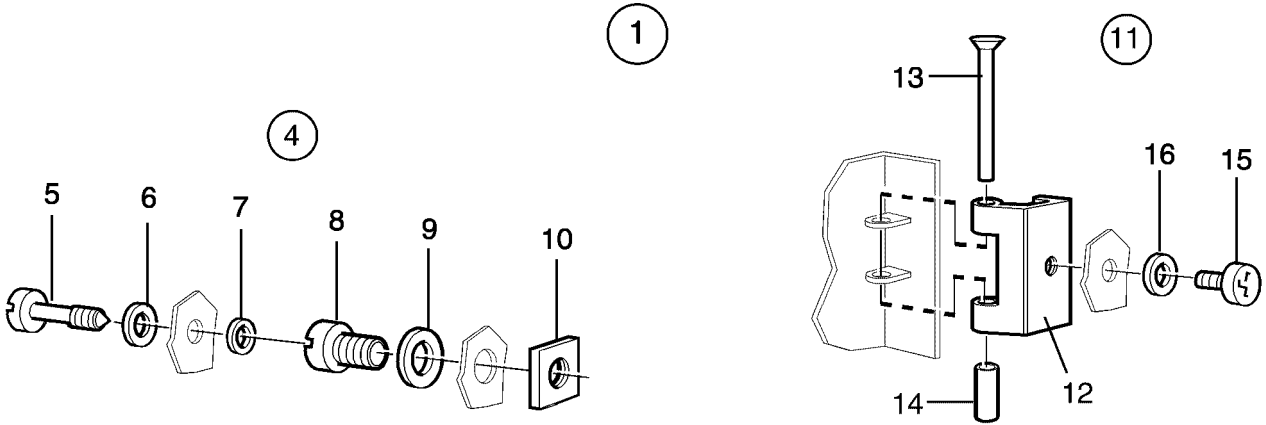
EX6200cl -1220/000636,EX6250cl -1220/000636

Electric cabinet, front

Armoire électrique, avant

Illustration Issue Month Year
Schéma Issue Month Year
102368/1 10 3 2011

Item Article	Quantity Quantité	Art.No Réf. article	Description	Description	Info Info	Notes Remarques
		EX6200cl				
		EX6250cl				
	1	438 7197-08	Printed circuit board	Carte circuit	1,2	7W13, 2 I/O-cards, DS Japanese
	1	438 7197-09	Printed circuit board	Carte circuit	1,2	7W11, 2 I/O-cards, DS Danish
	1	438 7197-40	Printed circuit board	Carte circuit	1,2	7W11 3 I/O-cards HW Danish
	1	438 7197-10	Printed circuit board	Carte circuit	1,2	7W11, 2 I/O-cards, HW Spanish
	1	438 7197-39	Printed circuit board	Carte circuit	1,2	7W12 HW 2 I/O-cards NON HEATING,USA
	1	438 7197-60	Printed circuit board	Carte circuit	1,2	7W12, 2 I/O-cards, DS NON-HEATING,USA
	1	438 7197-56	Printed circuit board	Carte circuit	1,2	7W01, 3 I/O-cards, DS Russian
	1	438 7197-11	Printed circuit board	Carte circuit	1,2	7W11, 2 I/O-cards, DS Norway
	1	438 7197-12	Printed circuit board	Carte circuit	1,2	7W11, 2 I/O-cards, DS Norway
	1	438 7197-13	Printed circuit board	Carte circuit	1,2	7W11, 3 I/O-cards, DS Swedish
	1	438 7197-14	Printed circuit board	Carte circuit	1,2	7W11, 3 I/O-cards, DS Dutch
	1	438 7197-15	Printed circuit board	Carte circuit	1,2	7W11, 3 I/O-cards, DS English
	1	438 7197-16	Printed circuit board	Carte circuit	1,2	7W11, 3 I/O-cards, DS Swedish
	1	438 7197-17	Printed circuit board	Carte circuit	1,2	7W13, 3 I/O-cards, DS Japanese
	1	438 7197-41	Printed circuit board	Carte circuit	1,2	7W11, 3 I/O-cards, DS French
	1	438 7197-44	Printed circuit board	Carte circuit	1,2	7W11 3 I/O-cards HW French
	1	438 7197-37	Printed circuit board	Carte circuit	1,2	7W11, 2 I/O-cards, DS French
	1	438 7197-18	Printed circuit board	Carte circuit	1,2	7W11, 3 I/O-cards, DS Danish
	1	438 7197-19	Printed circuit board	Carte circuit	1,2	7W11, 3 I/O-cards, HW Spanish
	1	438 7197-48	Printed circuit board	Carte circuit	1,2	7W11, 2 I/O-cards, DS Spanish
	1	438 7197-20	Printed circuit board	Carte circuit	1,2	7W11, 3 I/O-cards, DS Norway
	1	438 7197-21	Printed circuit board	Carte circuit	1,2	7W11, 3 I/O-cards, DS Norwegian
	1	438 7197-22	Printed circuit board	Carte circuit	1,2	7W11, 3 I/O-cards, HW Spain
	1	438 7197-23	Printed circuit board	Carte circuit	1,2	7W11, 3 I/O-cards, DS Spanish
	1	438 7197-24	Printed circuit board	Carte circuit	1,2	7W11, 2 I/O-cards, DS Danish
	1	438 7197-46	Printed circuit board	Carte circuit	1,2	7W11 2 I/O-cards Italian
	1	438 7197-71	Printed circuit board	Carte circuit	1,2	7W11, 2 I/O-cards Spanish
	1	438 7197-25	Printed circuit board	Carte circuit	1,2	7W11, 3 I/O-cards, DS Italian
	1	438 7197-26	Printed circuit board	Carte circuit	1,2	7W11, 2 I/O-cards, DS German



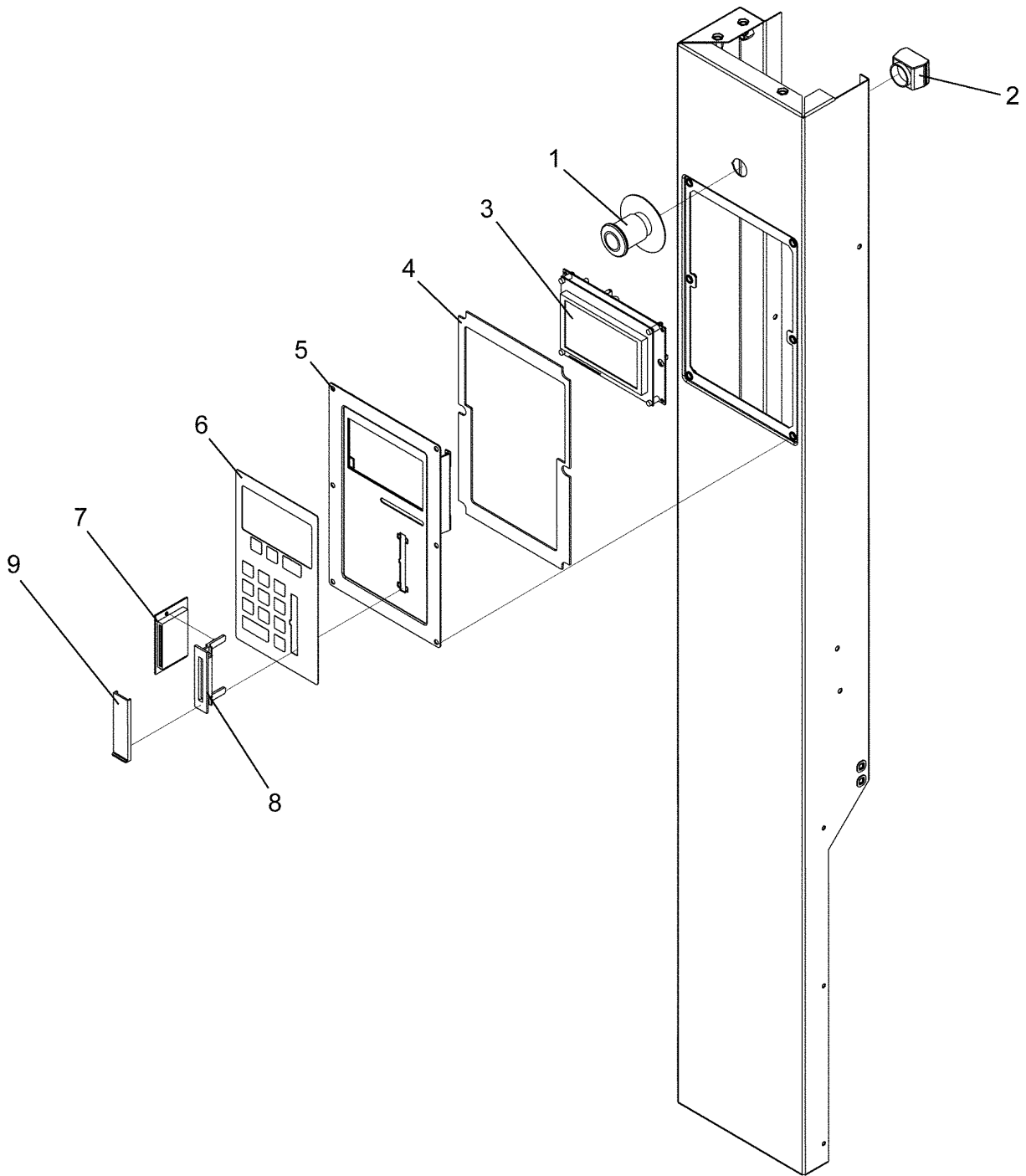
EX6200cl -1220/000636,EX6250cl -1220/000636

Electric cabinet, front

Armoire électrique, avant

Illustration Issue Month Year
Schéma Issue Month Year
102368/1 10 3 2011

Item Article	Quantity Quantité	Art.No Réf. article	Description	Description	Info Info	Notes Remarques
		EX6200cl				
		EX6250cl				
	1	438 7197-28	Printed circuit board	Carte circuit	1,2	7W11, 3 I/O-cards, DS Danish
	1	438 7197-29	Printed circuit board	Carte circuit	1,2	7W11, 2 I/O-cards, HW English
	1	438 7197-55	Printed circuit board	Carte circuit	1,2	7W12, 2 I/O-cards, DS English
	1	438 7197-36	Printed circuit board	Carte circuit	1,2	7W12 HW 2 I/O-cards NON- HEATING,USA
	1	438 7197-42	Printed circuit board	Carte circuit	1,2	7W11, 2 I/O-cards, DS CZECISH
	1	438 7197-30	Printed circuit board	Carte circuit	1,2	7W11, 2 I/O-cards, DS Spanish
	1	438 7197-31	Printed circuit board	Carte circuit	1,2	7W11, 3 I/O-cards, HW English
	1	438 7197-35	Printed circuit board	Carte circuit	1,2	7W01 4 I/Ocards Hands-off Swedish
18	4	471 8341-11	Screw	Vis	3	MRT 4X6
19	1	438 8120-03	Hose	Flexible	1	L=1600
20	1	471 8164-00	Grommet	Oeillet	3	D7
21	1	438 7300-40	Cable set	Jeu de câbles	3	
22	1	438 8152-03	Gasket	Joint	3	4-pole AMP
23	1	438 7300-40	Cable set	Jeu de câbles	3	
24	1	438 8152-01	Gasket	Joint	3	37-pole AMP
25	8	471 8454-01	Rivet	Rivet	3	
26	1	471 8793-01	Card reader	Lecteur de carte	1	
27	1	432 0150-01	Bracket	Pièce de retenue	3	
28	1	432 0149-01	Rubber cap	Capuchon caoutchouc	3	
29	1	471 8997-04	Display	Affichage	1,2	
30	1	472 5787-01	Control panel	Pupitre de commande	1,2	
31	1	471 9628-32	Emergency stop	Arrêt d'urgence	1	
32	1	471 9628-33	Contact block	Bloc de connexion	1	
33	1	438 7300-42	Cable set	Jeu de câbles	3	Sensor, temp.
34	1	438 7300-56	Cable set	Jeu de câbles	3	
35	4	471 7958-02	Support	Support	3	



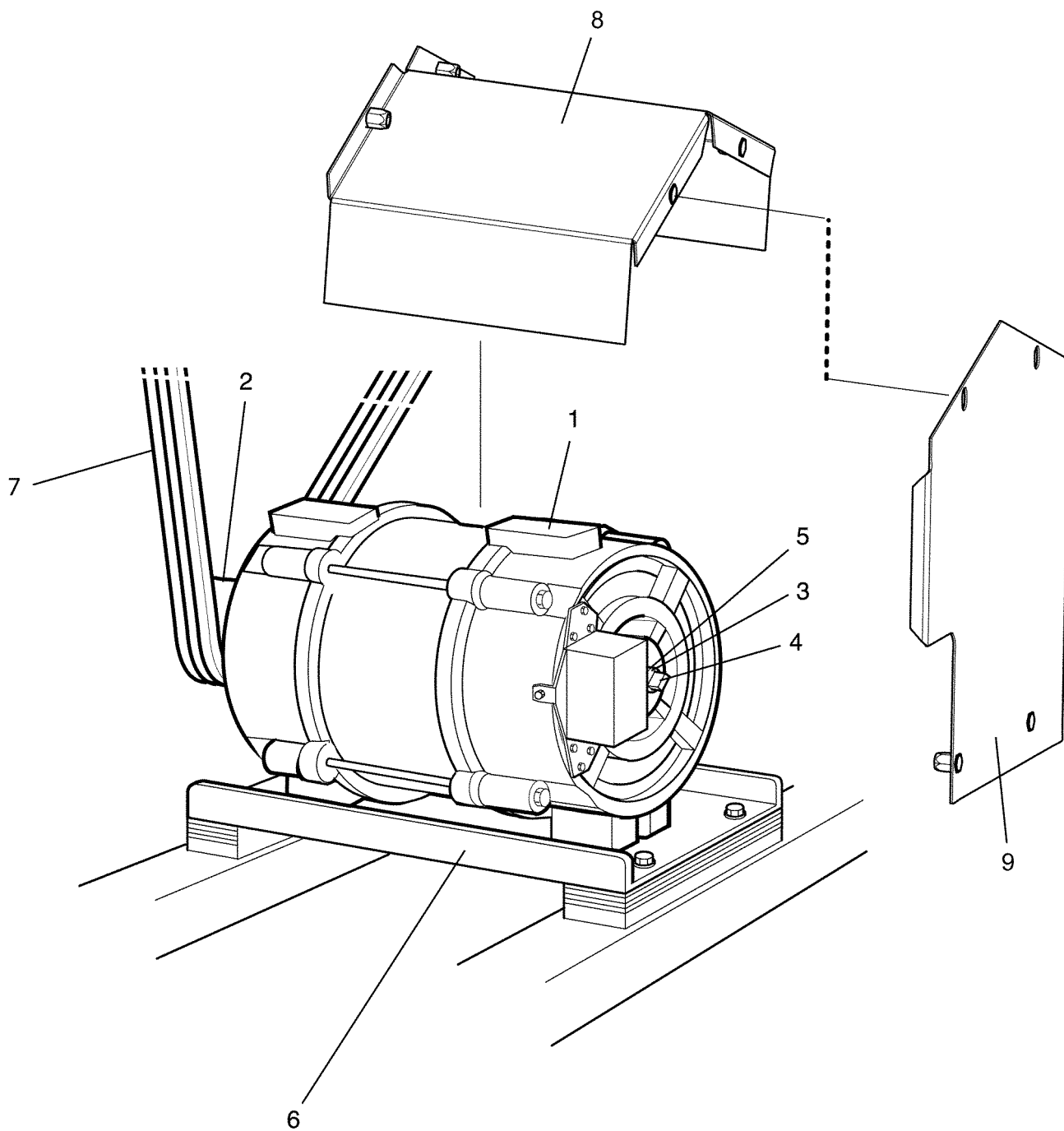
EX6200cl 1220/000637-,EX6250cl 1220/000637-

Electric cabinet, front

Armoire électrique, avant

Illustration	Issue	Month	Year
Schéma	Issue	Month	Year
500214	1	8	2011

Item Article	Qua. Qua.	Art.No Réf. article	Description	Description	Info Info	Notes Remarques
1	1	471 9628-32	Emergency stop	Arrêt d'urgence	3	
2	1	471 9628-33	Contact block	Bloc de connexion	3	
3	1	471 8997-05	Display	Affichage	3	
4	1	438 6225-01	Gasket	Joint	3	
5	1	438 6212-01	Plate	Plaque	3	
6	1	472 5787-01	Control panel	Pupitre de commande	3	
7	1	471 8793-01	Card reader	Lecteur de carte	3	
8	1	432 0150-01	Bracket	Pièce de retenue	3	
9	1	432 0149-01	Rubber cap	Capuchon caoutchouc	3	



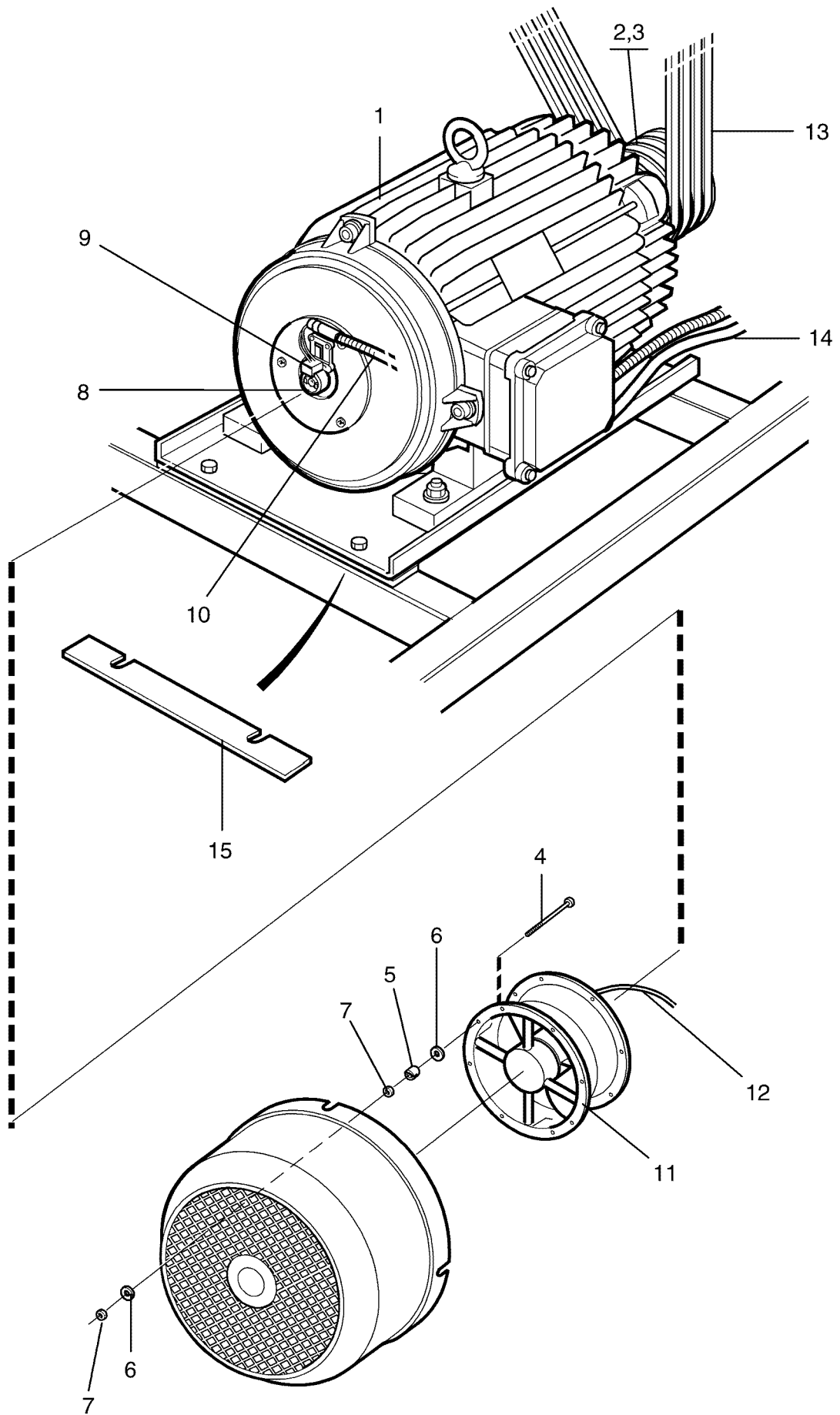
EX6102cl

Motor

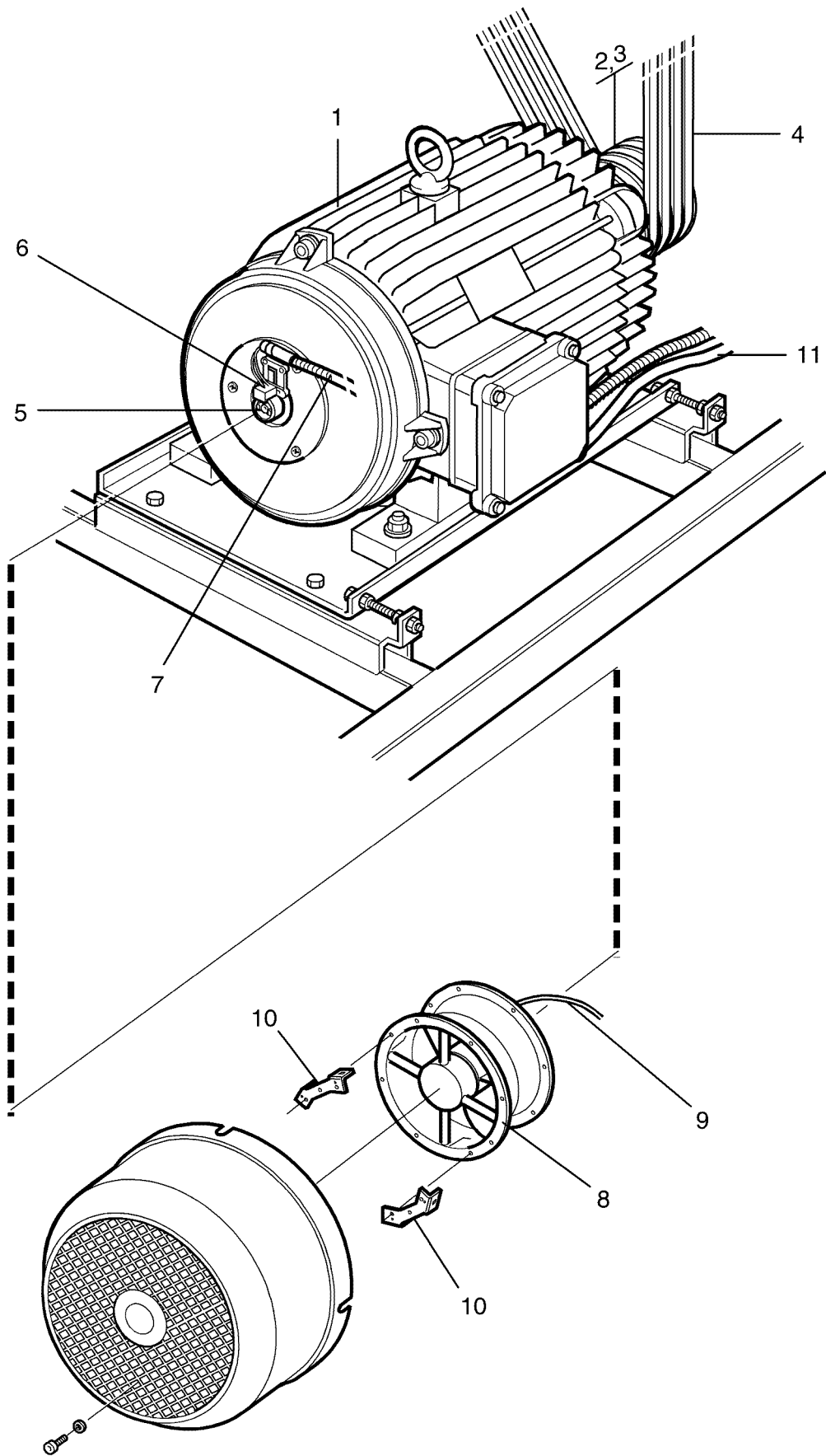
Moteur

Illustration Issue Month Year
Schéma Issue Month Year
102358/1 4 11 2011

Item Article	Qua. Qua.	Art.No Réf. article	Description	Description	Info Info	Notes Remarques
1	1	471 9769-02	Motor	Moteur	1,2	
2	1	472 6382-01	Pulley	Poulie	3	
3	1	472 9913-44	Sensor	Capteur	1,2	
4	1	432 3905-01	Magnet	Aimant	1,2	
5	3	432 0085-01	Spacer	Entretoise	3	
6	1	438 5836-02	Motor mounting plate	Châssis montage moteur	3	
7	1	471 7701-67	V-belt	Courroie trapézoïdale	1,2	Set of 3
* 8	1	438 6241-01	Cover	Couvercle	3	
* 9	1	438 6242-01	Cover	Couvercle	3	



EX6135cl				Illustration	Issue	Month	Year
Motor				Schéma	Issue	Month	Year
Moteur				102400/1	2	11	2008
Item Article	Qua. Qua.	Art.No Réf. article	Description	Description	Info Info	Notes Remarques	
1	1	472 9912-23	Motor	Moteur	1,2		
2	1	432 5807-01	•Pulley	•Poulie	1		
3	2	728 8445-01	•Screw	•Vis	3	SK6SS 8X10	
4	3	471 8341-18	Screw	Vis	3	M4X30	
5	3	471 5523-00	Spacer	Entretoise	3		
6	6	734 1808-51	Washer	Rondelle	3	NB 5X16	
7	3	732 2112-01	Locking nut	Contre-écrou	3	M4	
8	1	432 3905-01	Magnet	Aimant	1,2		
9	1	472 9913-44	Sensor	Capteur	1,2		
10	1	438 7302-41	Cable set	Jeu de câbles	3		
11	1	438 9601-10	Fan	Ventilateur	1,2		
12	1	438 7302-38	Cable set	Jeu de câbles	3		
13	1	471 7701-66	Ribbed belt	Courroie poly V	1,2		
14	1	438 7302-50	Cable set	Jeu de câbles	3		
15	16	438 5837-02	Washer	Rondelle	3		



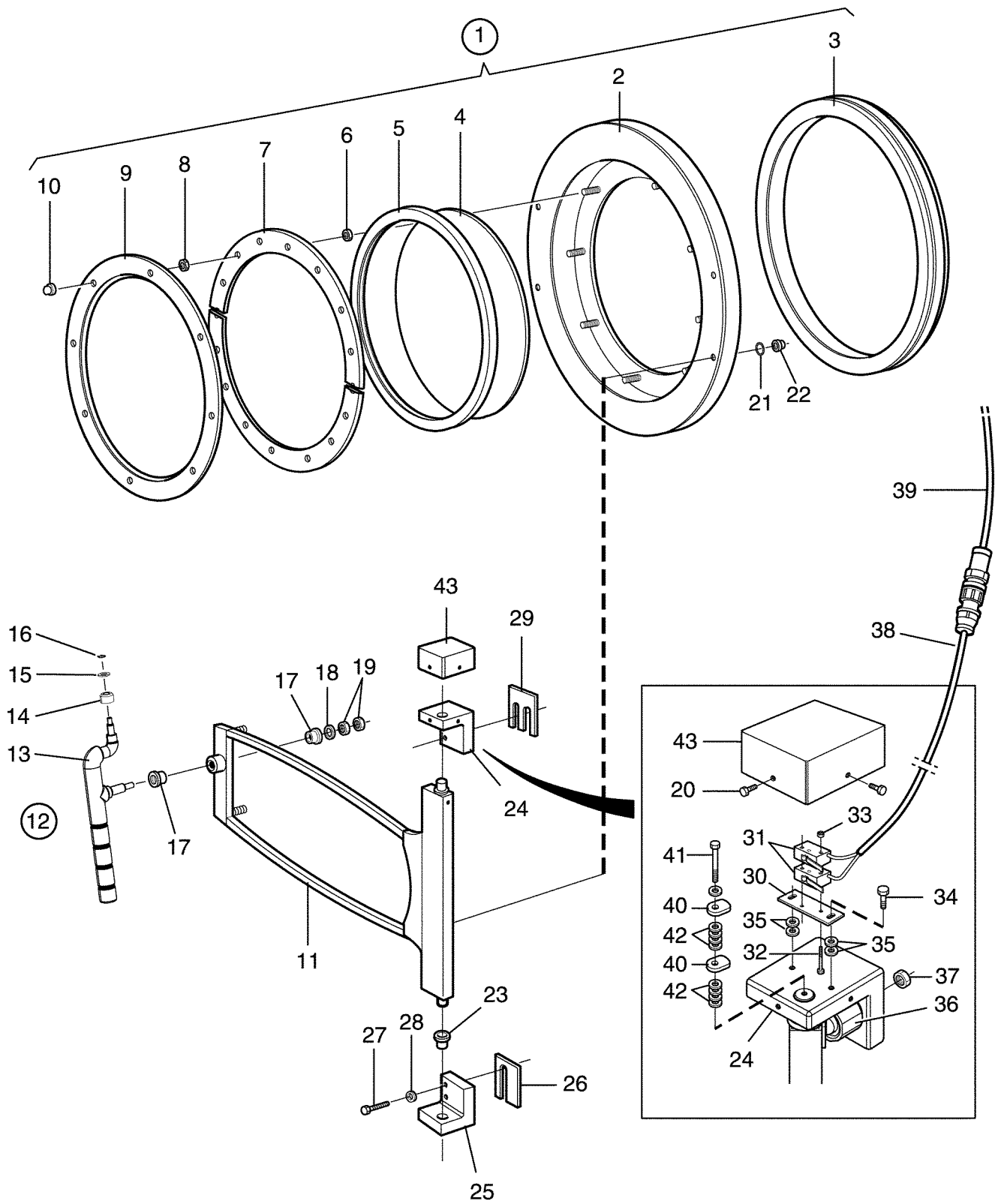
EX6200cl,EX6250cl

Motor

Moteur

Illustration Issue Month Year
Schéma Issue Month Year
102401/1 2 11 2008

Item Article	Qua. Qua.	Art.No Réf. article	Description	Description	Info Info	Notes Remarques
1	1	472 9912-24	Motor	Moteur	1,2	
2	1	432 0304-01	•Pulley	•Poulie	1	
3	2	728 8489-01	•Screw	•Vis	3	SK6SS M10X16
4	1	471 7702-52	Ribbed belt	Courroie poly V	1,2	
5	1	432 3905-01	Magnet	Aimant	1,2	
6	1	472 9913-44	Sensor	Capteur	1,2	
7	1	438 7302-07	Cable set	Jeu de câbles	3	
8	1	438 9602-01	Fan	Ventilateur	1,2	
9	1	438 7302-19	Cable set	Jeu de câbles	3	
10	2	438 5876-01	Bracket	Support de montage	3	
11	1	438 7302-49	Cable set	Jeu de câbles	3	



Issue Month Year
 04 08 10

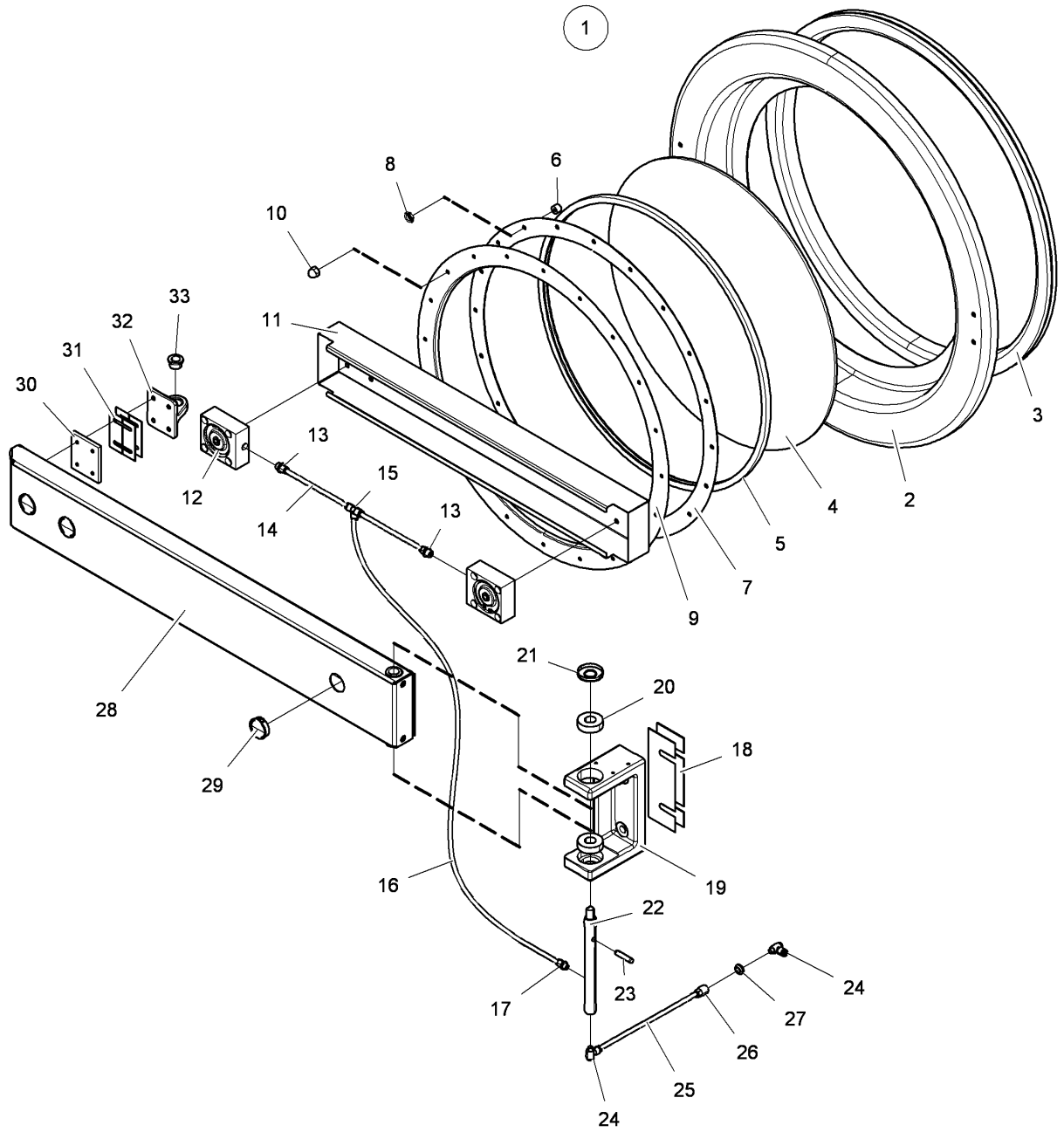
EX6102cl,EX6135cl,EX6200cl,EX6250cl

Door

Illustration Issue Month Year
Schéma Issue Month Year
102369/1 3 9 2010

Plaque

Item Article	Quantity Quantité	Art.No Réf. article	Description	Description	Info Info	Notes Remarques
			EX6102cl			
			EX6135cl			
			EX6200cl,EX6250cl			
1	1	432 0313-02	Door	Plaque	3	Complete
2	1	432 0313-01	Door	Plaque	3	Complete
		471 5516-04	•Door ring	•Anneau de la porte	3	
		432 0308-01	•Door ring	•Anneau de la porte	3	
3	1	471 5631-00	•Door gasket	•Joint de porte	1,2	
		471 5631-02	•Door gasket	•Joint de porte	1,2	
4	1	432 0113-01	•Door glass	•Vitre de la porte	1,2	
		432 0113-03	•Door glass	•Vitre de la porte	1,2	
5	1	471 5511-01	•Seal	•Joint	1	
		471 5511-02	•Seal	•Joint	1	
6	16	471 5523-00	•Spacer	•Entretoise	3	
7	1	438 4832-01	•Washer	•Rondelle	3	
		432 5049-01	•Washer	•Rondelle	3	
8	16	731 2316-01	•Nut	•Écrou	3	M6
9	1	471 5525-01	•Ring	•Anneau	3	
		432 5051-01	•Ring	•Anneau	3	
10	16	732 3116-14	•Nut	•Écrou	3	M6
11	1	438 5850-02	Frame	Châssis	3	
		432 5062-03	•Frame	•Châssis	3	
12	1	438 6203-01	Handle	Poignée	3	Complete
13	1	438 5999-01	•Handle	•Poignée	3	
14	1	471 9228-97	•Bearing	•Coussinet	1	
15	1	734 1176-09	•Washer	•Rondelle	3	12,0x22,0x2,0
16	1	735 3114-09	•C-clamp	•Presse à main	3	SG 12 RF
17	2	471 9228-98	Bearing	Coussinet	1	
18	1	471 2461-40	Washer	Rondelle	3	
19	2	731 2320-42	Nut	Écrou	3	M10
20	3	725 2364-42	Screw	Vis	3	M6X10
21	4	734 1153-09	Washer	Rondelle	3	BRB 6,4X12
22	4	732 3116-14	Nut	Écrou	3	M6
23	2	471 9209-24	Bearing	Coussinet	1	
24	1	432 5055-12	Hinge mounting	Montage de charnière	3	Upper
		432 5055-03	Hinge mounting	Montage de charnière	3	Upper
25	1	432 5055-13	Hinge mounting	Montage de charnière	3	Lower
		432 5055-04	Hinge mounting	Montage de charnière	3	Lower
26	2	432 0365-02	Spacer	Entretoise	3	Lower
27	4	725 2542-42	Screw	Vis	3	M12X50
28	4	734 1178-09	Washer	Rondelle	3	BRB 13X24
29	2	432 0365-01	Spacer	Entretoise	3	Upper
30	1	432 0368-01	Plate	Tableau	3	
31	Rq	471 9625-02	Microswitch	Microrupteur	1,2	
32	2	471 8341-08	Screw	Vis	3	MRT 3x30
33	2	732 2110-01	Locking nut	Contre-écrou	3	M3
34	2	725 2368-51	Screw	Vis	3	M6X16
35	4	734 1153-09	Washer	Rondelle	3	BRB 6,4X12
36	1	432 0375-01	Sleeve	Manchon	3	
37	1	732 2122-01	Locking nut	Contre-écrou	3	M12
38	1	438 7300-48	Cable set	Jeu de câbles	3	Sensor, dor lock incl. microswitch
39	1	438 7302-21	Cable set	Jeu de câbles	3	Not used
40	2	432 0339-01	Heel	Tête	3	
41	1	725 2374-51	Screw	Vis	3	M6X30
42	8	734 1153-09	Washer	Rondelle	3	BRB 6,4X12
43	1	432 0378-10	Cover	Couvercle	3	
		432 0378-01	Cover	Couvercle	3	



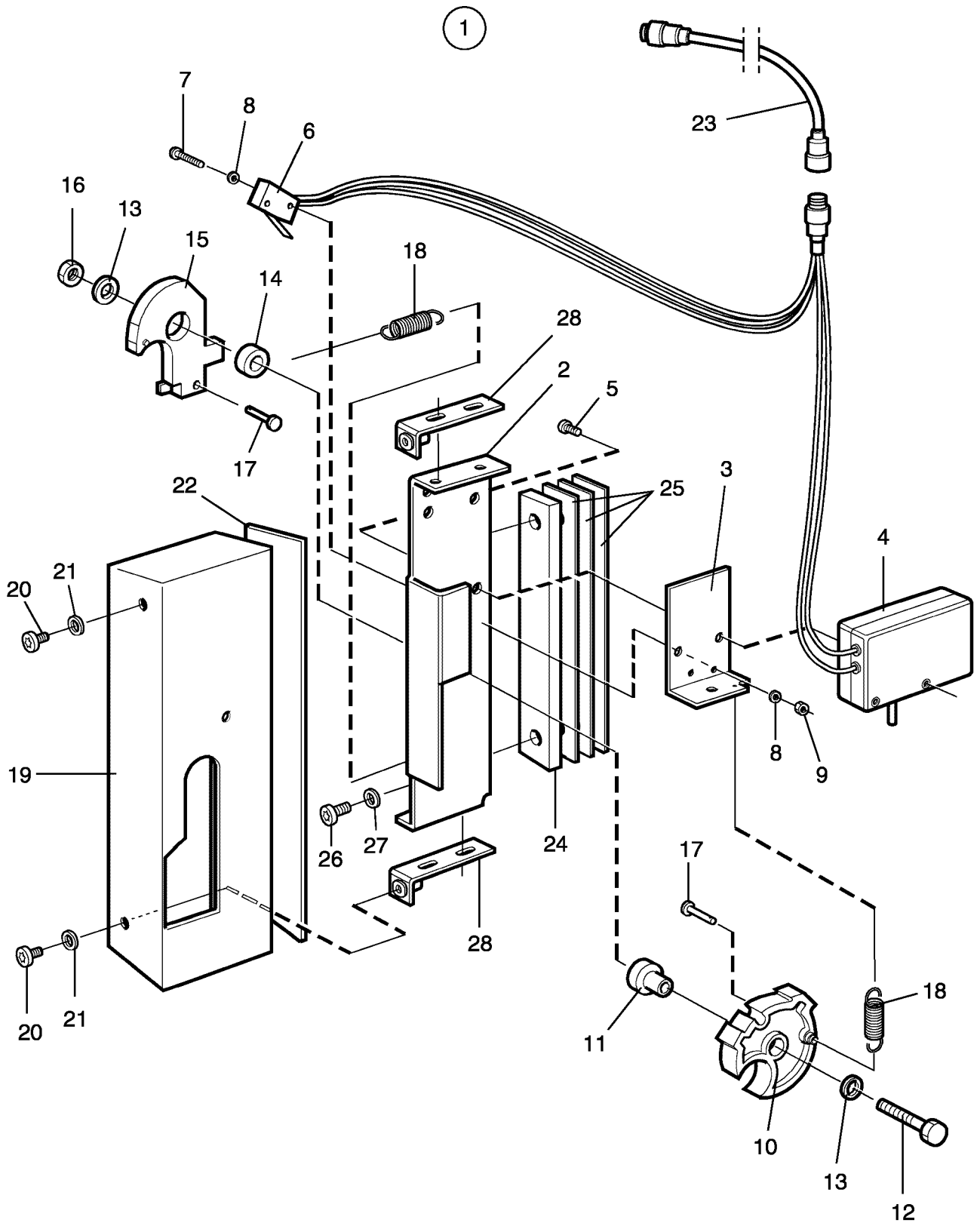
EX6200cl,EX6250cl

Door, Hands-Off

Plaque, Hands-Off

Illustration Issue Month Year
Schéma Issue Month Year
500134 1 1 2010

Item Article	Qua. Qua.	Art.No Réf. article	Description	Description	Info Info	Notes Remarques
1	1	432 0313-03	Door	Plaque	3	Complete
2	1	432 0308-02	•Door ring	•Anneau de la porte	3	
3	1	471 5631-02	•Door gasket	•Joint de porte	1	
4	1	432 0113-03	•Door glass	•Vitre de la porte	1,2	
5	1	471 5511-02	•Seal	•Joint	1,2	
6	20	471 5523-00	•Spacer	•Entretoise	3	
7	1	432 5049-01	•Washer	•Rondelle	3	
8	20	731 2316-01	•Nut	•Écrou	3	M6
9	1	432 5051-01	•Ring	•Anneau	3	
10	20	732 3116-14	•Nut	•Écrou	3	M6
11	1	432 6417-01	Beam	Poutre	3	Inner
12	2	471 8273-01	Cylinder	Cylindre	1,2	
13	2	471 8690-31	Connection	Embrayage	3	
14	2	438 8102-06	Hose	Flexible	3	L=330
15	1	471 8690-51	T-coupling	Raccord en T	3	
16	1	471 4640-43	Pipe	Tube	3	6X4X500
17	1	471 8690-32	Connection	Embrayage	3	
18	2	472 7917-01	Plate	Plaque	3	
19	1	472 7916-02	Bracket	Support de montage	3	
20	2	738 2204-19	Ball bearing	Roulement à billes	3	
21	1	740 5147-03	Seal	Joint	3	
22	1	472 7915-01	Shaft	Arbre	3	
23	1	721 4383-50	Pin	Goupille	3	
24	2	471 8690-22	Angle connector	Raccord d'angle	3	6/4
25	1	471 4652-68	Pipe	Tube	3	6X4X110
26	1	471 8690-71	Connection	Embrayage	3	
27	1	471 8164-01	Grommet	Oeillet	3	
28	1	432 6415-02	Door arm	Bras d'une porte	3	
29	3	471 8653-04	Plug	Fiche	3	
30	1	472 7920-01	Mounting plate	Plaque de montage	3	
31	4	472 7919-01	Plate	Plaque	3	
32	1	472 7918-02	Lock catch	Ergot de verrouillage	3	
33	1	471 9228-98	Bearing	Coussinet	3	



Issue	Month	Year
01	06	06

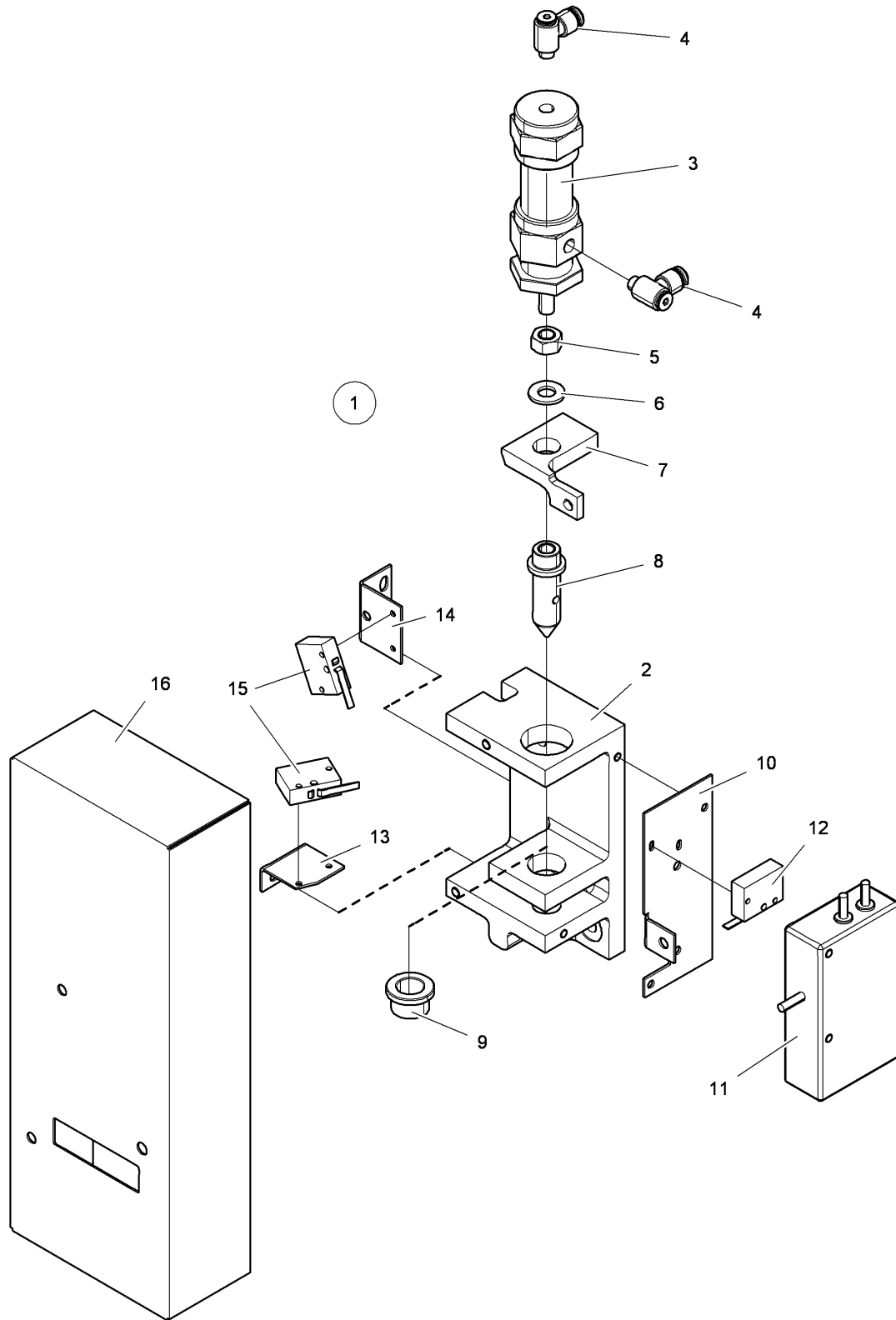
EX6102cl,EX6135cl,EX6200cl,EX6250cl

Door lock

Serrure de porte

Illustration Issue Month Year
Schéma Issue Month Year
102370/1 4 11 2008

Item Article	Quantity Quantité	Art.No Réf. article	Description	Description	Info Info	Notes Remarques
		EX6102cl				
		EX6135cl,EX6200cl,EX6250cl				
1	1	432 0170-03	Door locking device	Serrure de porte	1	Complete
		432 0170-02	Door lock	Serrure de porte	1	Complete
2	1	432 0158-01	•Bracket	•Pupitre	3	
3	1	432 0159-01	•Plate	•Plaque	3	
4	1	438 7300-43	•Actuator	•Actuateur	1,2	
5	2	471 8344-24	•Screw	•Vis	3	M5X12
6	1	471 9625-03	•Microswitch	•Microrupteur	1,2	
7	2	471 8341-07	•Screw	•Vis	3	MRT 3X25
8	2	734 1124-01	•Washer	•Rondelle	3	BRB 3X7
9	2	732 2110-01	•Locking nut	•Contre-écrou	3	M3
10	1	432 0161-01	•Wheel	•Roue	1	
11	1	471 7477-01	•Shaft	•Arbre	1	
12	1	725 2461-71	•Screw	•Vis	3	M8X50
13	2	734 1164-01	•Washer	•Rondelle	3	8,4X17
14	1	471 7476-01	•Bushing	•Douille	3	
15	1	432 0164-01	•Cam	•Came	1	
16	1	732 2118-01	•Locking nut	•Contre-écrou	3	M8
17	2	471 7976-01	•Bolt	•Boulon	3	
18	2	471 7876-01	•Spring	•Ressort	1	
19	1	432 0319-02	•Cover	•Couvercle	3	
		432 0319-01	•Cover	•Couvercle	3	
20	2	471 8344-33	•Screw	•Vis	3	M6X10
21	2	734 1153-09	•Washer	•Rondelle	3	BRB 6,4X12
22	1	471 2449-70	•Rubber strip	•Joint caoutchouc	3	
23	1	438 7300-07	Cable set	Jeu de câbles	3	
24	-					Not used
		432 0381-01	Spacer	Entretoise	3	
25	Rq	432 0166-01	Washer	Rondelle	3	
26	2	725 2455-42	Screw	Vis	3	M8X30
27	2	734 1164-09	Washer	Rondelle	3	BRB 8,4X17
28	2	432 0370-01	Bracket	Support de montage	3	



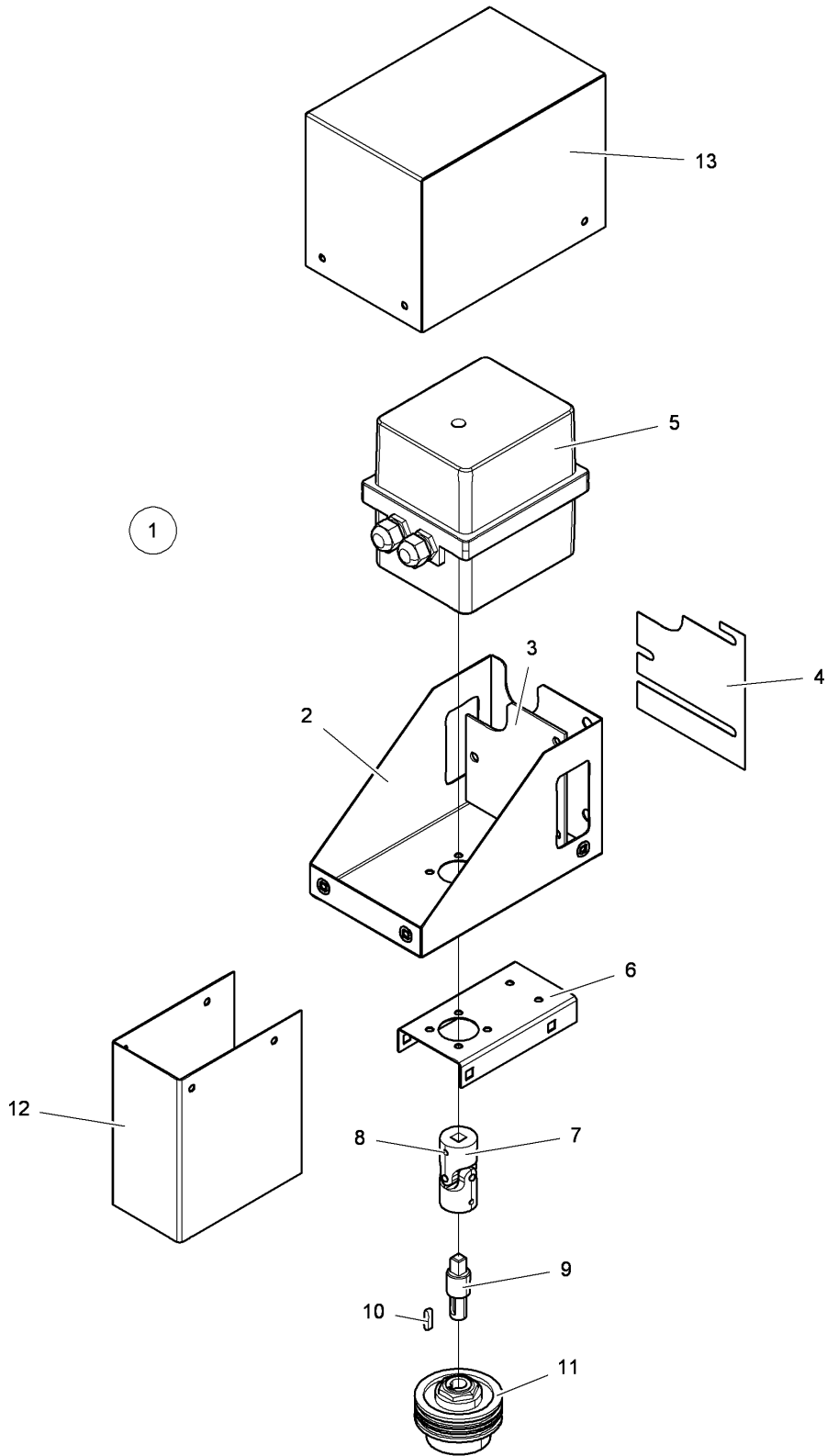
EX6200cl,EX6250cl

Door locking device, Hands-Off

Serrure de porte, Hands-Off

Illustration Issue Month Year
Schéma Issue Month Year
500130 1 12 2009

Item Article	Qua. Qua.	Art.No Réf. article	Description	Description	Info Info	Notes Remarques
1	1	432 6400-02	Door locking device	Serrure de porte	3	Complete
2	1	472 7926-04	•Bracket	•Pupitre	3	
3	1	471 8274-01	•Cylinder	•Cylindre	3	
4	2	471 8690-22	•Angle connector	•Raccord d'angle	3	6/4
5	2	731 2320-42	•Nut	•Écrou	3	M10
6	1	734 1173-49	•Washer	•Rondelle	3	
7	1	432 6404-02	•Arm	•Bras	3	
8	1	432 6403-02	•Pin	•Goupille	3	
9	1	471 9228-98	•Bearing	•Coussinet	3	
10	1	438 5927-01	•Bracket	•Support de montage	3	
11	1	438 7300-43	•Actuator	•Actuator	1,2	
12	1	471 9625-03	••Microswitch	••Microrupteur	1,2	
13	1	438 5926-01	•Bracket	•Support de montage	3	
14	1	438 5926-02	•Bracket	•Support de montage	3	
15	1	438 7302-31	•Microswitch	•Microrupteur	1,2	Complete
15	2	471 9625-03	••Microswitch	••Microrupteur	1,2	
16	1	432 6406-02	•Cover	•Couvercle	3	



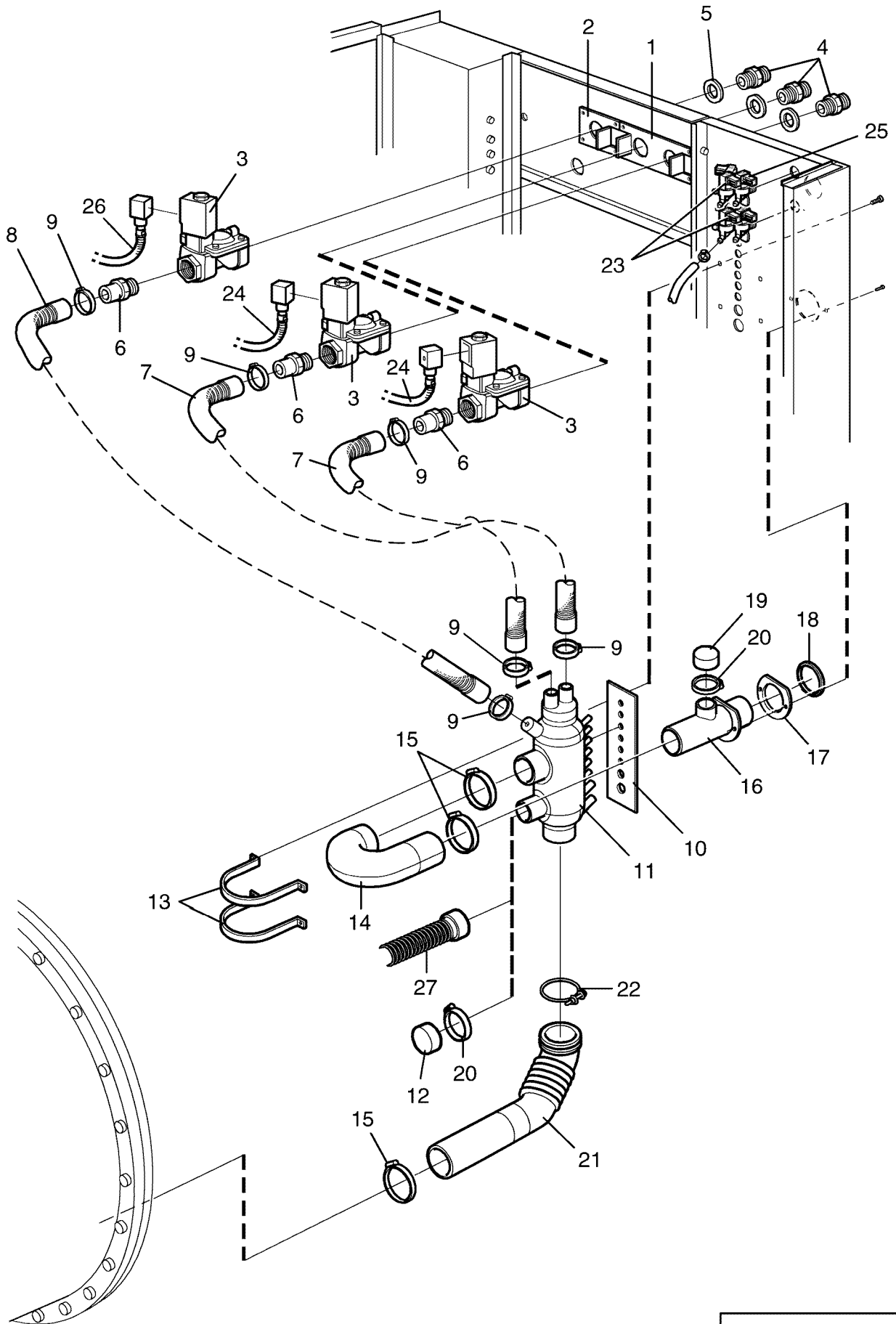
EX6200cl,EX6250cl

Turning device-door

Plaque-dispositif

Illustration Issue Month Year
Schéma Issue Month Year
500131 1 12 2009

Item Article	Qua. Qua.	Art.No Réf. article	Description	Description	Info Info	Notes Remarques
1	1	432 6418-02	Turning device	Dispositif	3	Complete
2	1	432 6420-02	•Bracket	•Pupitre	3	
3	1	432 6432-02	•Reinforcement plate	•Tôle de renforcement	3	
4	2	432 6427-02	•Spacer	•Entretoise	3	
5	1	471 9731-02	•Servomotor	•Servomoteur	1,2	
6	1	432 6426-01	•Bracket	•Pupitre	3	
7	1	472 7991-02	•Ball joint	•Rotule	3	
8	2	728 8323-01	•Screw	•Vis	3	SK6SS 5X8
9	1	472 7990-02	•Shaft	•Arbre	3	
10	2	735 9187-00	•Wedge	•Poulie courroie V	3	5X5X20
11	1	471 9732-02	•Connection	•Embrayage	3	
12	1	432 6425-02	•Cover plate	•Plaque recouvrement	3	
13	1	432 6424-02	•Cover	•Couvercle	3	



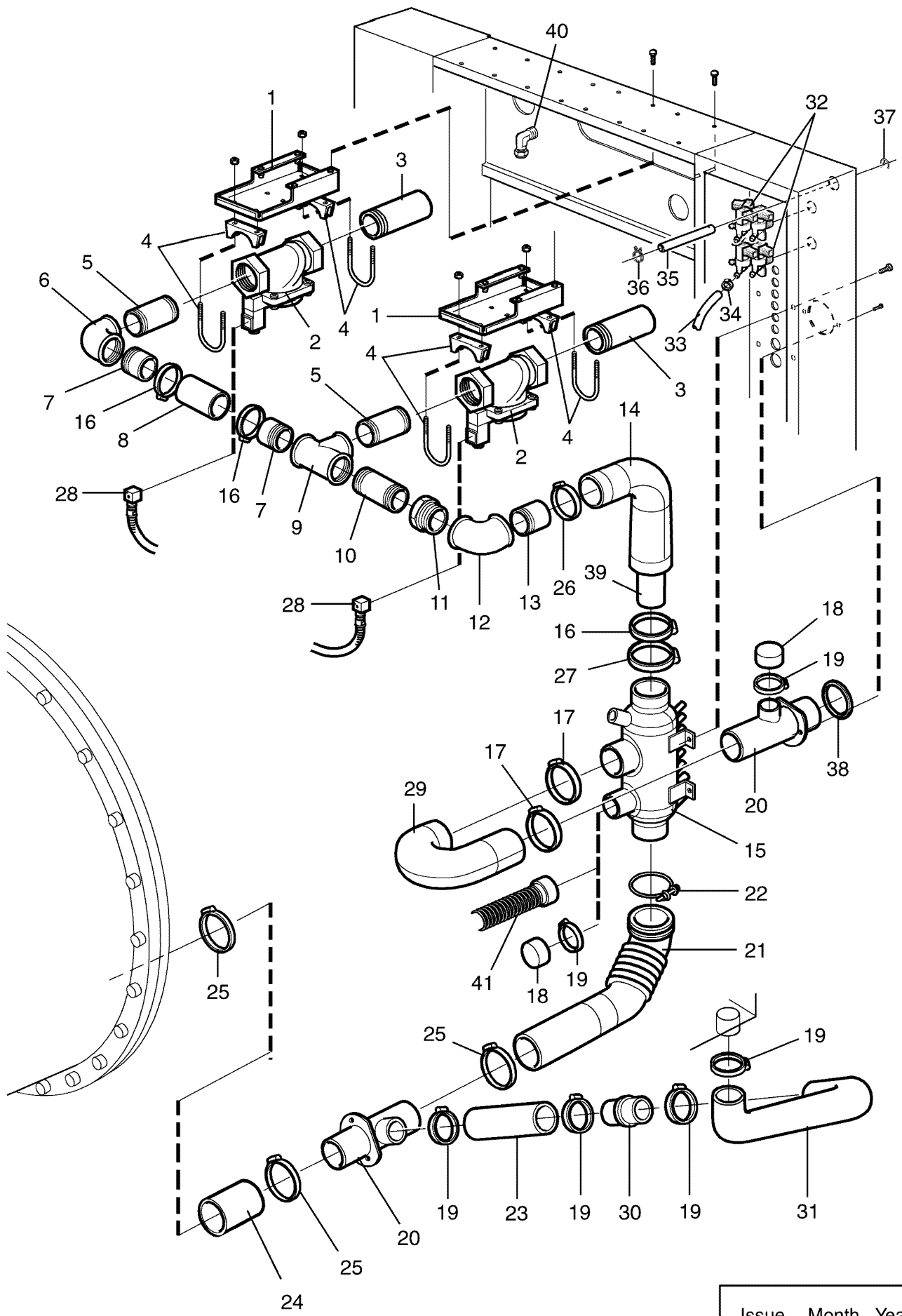
EX6102cl,EX6135cl

Water connections

Raccords d'eau

Illustration Issue Month Year
Schéma Issue Month Year
102402/1 3 6 2010

Item Article	Qua. Qua.	Art.No Réf. article	Description	Description	Info Info	Notes Remarques
1	1	438 5881-03	Mounting plate	Plaque de montage	3	1"
	1	438 5881-01	Mounting plate	Plaque de montage	3	1 1/4"
2	1	438 5881-04	Mounting plate	Plaque de montage	3	1"
	1	438 5881-02	Mounting plate	Plaque de montage	3	1 1/4"
3	3	471 8210-22	Valve	Electrovanne	1,2	1" 220-240V 50Hz
	3	471 8210-21	Valve	Electrovanne	1,2	1" 208-230V 60Hz
	3	471 8210-32	Valve	Electrovanne	1,2	1 1/4" 50Hz
	3	471 8210-31	Valve	Electrovanne	1,2	1 1/4" 60Hz
4	3	471 8622-09	Nipple	Raccord	3	1" DN25
	3	741 3117-21	Nipple	Raccord	3	DN32
5	3	471 8199-03	Gasket	Joint	3	65X48X2
	3	471 8199-05	Gasket	Joint	3	65X38X2
6	3	471 2418-33	Nipple	Raccord	3	1"
	3	472 6375-02	Hose nipple	Mamelon de flexible	3	1 1/4"
7	2	432 5177-01	Hose	Flexible	1	
8	1	432 5177-02	Hose	Flexible	1	
9	6	736 2831-51	Hose clamp	Attache flexible	3	Ø36-42
10	1	438 5919-01	Gasket	Joint	3	
11	1	432 5172-01	Siphon breaker	Rupteur de siphon	3	
12	1	471 2409-89	Hood	Capot	3	
13	2	432 5188-01	Clamp	Bride de fixation	3	
14	1	432 5152-01	Hose	Flexible	1	
15	3	736 2849-51	Hose clamp	Attache flexible	3	Ø77-93
16	1	432 2511-01	Drain pipe connection	Raccord de vidange	3	
17	1	438 8157-01	Gasket	Joint	3	
18	1	438 5016-01	Rubber ring	Rondelle caoutchouc	3	
19	1	471 2409-89	Hood	Capot	3	
20	2	736 2837-51	Hose clamp	Attache flexible	3	Ø48-54
21	1	432 2516-02	Hose	Flexible	1	
22	1	471 7871-07	Hose clamp	Attache flexible	3	
23	2	471 8236-57	Valve	Electrovanne	1,2	3-way, 208-240V 50/60Hz, BSP
24	1	438 7302-08	Cable set	Jeu de câbles	3	
25	1	438 7302-39	Cable set	Jeu de câbles	3	Soap box Front mounted
26	1	438 7300-58	Cable set	Jeu de câbles	3	
27	1	432 5177-03	Hose	Flexible	1	W4400H, EX6102cl
	1	432 5177-04	Hose	Flexible	1	W4600H, EX6135cl



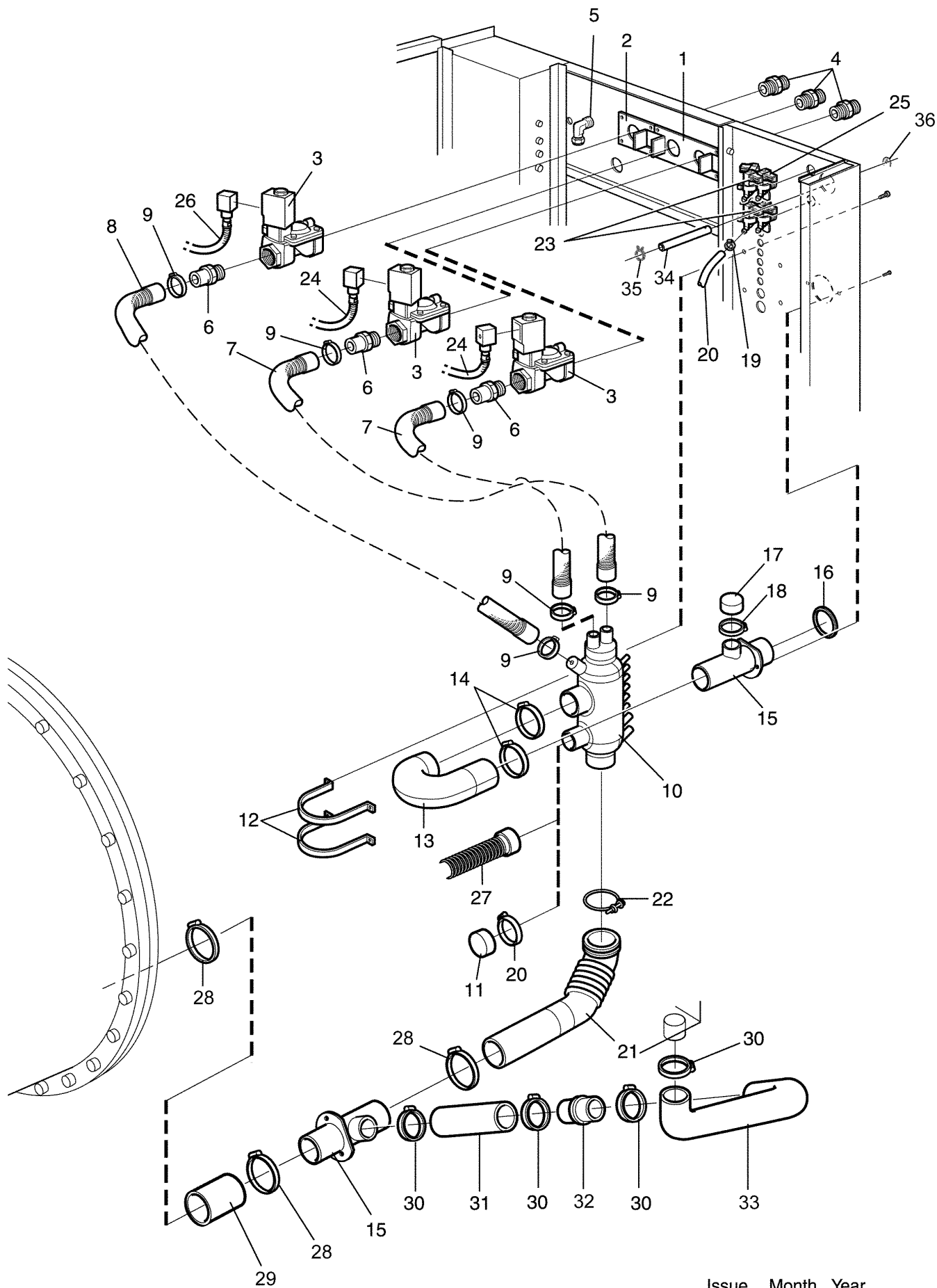
EX6200cl,EX6250cl

Water connections 1 1/2"

Illustration Issue Month Year
Schéma Issue Month Year
102403/1 3 12 2010

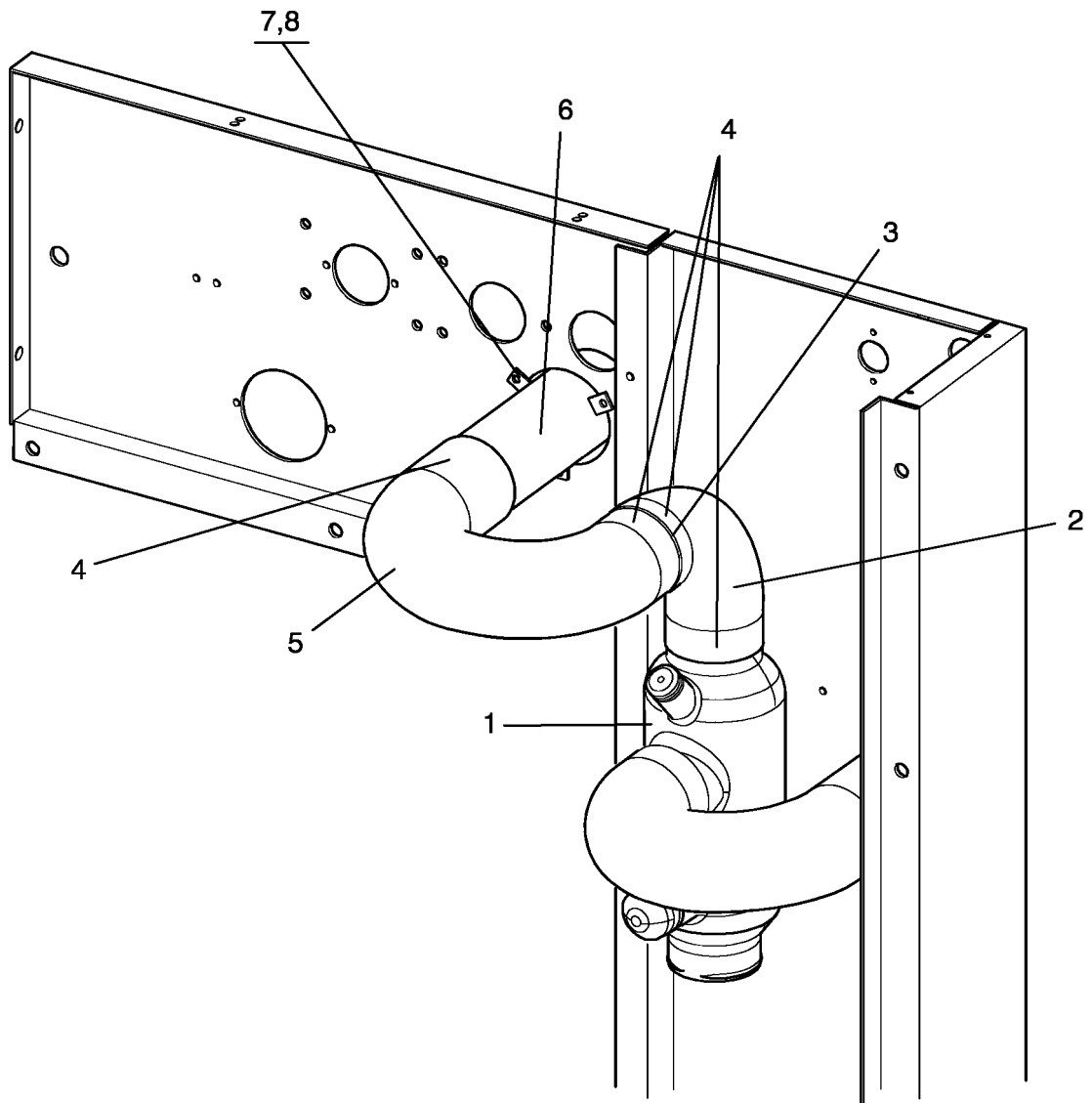
Raccords eau d' 1 1/2"

Item Article	Qua. Qua.	Art.No Réf. article	Description	Description	Info Info	Notes Remarques
1	2	432 5089-02	Mounting plate	Plaque de montage	3	1 1/2"
	2	432 5089-01	Mounting plate	Plaque de montage	3	2"
2	2	471 8210-42	Valve	Electrovanne	1,2	1 1/2", 50Hz
	2	471 8210-41	Valve	Electrovanne	1,2	1 1/2", 60Hz
	2	471 8210-52	Valve	Electrovanne	1,2	2", 50Hz
	2	471 8210-51	Valve	Electrovanne	1,2	2", 60Hz
3	2	471 8608-12	Pipe	Tube	3	1 1/2"
	2	471 8608-05	Pipe	Tube	3	2"
4	4	471 7858-01	Clamp	Attache	3	1 1/2"
	4	471 7858-07	Clamp	Attache	3	2"
5	2	471 8608-13	Pipe	Tube	3	1 1/2"
	2	471 8608-15	Pipe	Tube	3	2"
6	1	742 1118-13	Angle	Coude	3	1 1/2"
	1	742 1119-13	Angle	Coude	3	2"
7	2	471 8608-14	Pipe	Tube	3	1 1/2"
	2	472 6837-01	Pipe	Tube	3	2"
8	1	471 8128-41	Hose	Flexible	1	L=90, 1 1/2"
	1	471 8128-21	Hose	Flexible	1	2"
9	1	471 8603-12	T-pipe	Tube en T	3	1 1/2"
	1	471 8603-11	T-pipe	Tube en T	3	2"
10	1	471 8608-13	Pipe	Tube	3	1 1/2"
	1	471 8608-16	Pipe	Tube	3	2"
11	1	471 8604-04	Pipe	Tube	3	
12	1	742 1119-13	Angle	Coude	3	2"
13	1	472 6837-01	Pipe	Tube	3	2"
14	1	432 0357-01	Hose	Flexible	1	
15	1	432 5172-02	Siphon breaker	Rupteur de siphon	3	
16	3	736 2840-51	Hose clamp	Attache flexible	3	Ø50-63 1 1/2"
	2	736 2849-51	Hose clamp	Attache flexible	3	Ø77-93 2"
17	2	736 2849-51	Hose clamp	Attache flexible	3	Ø77-93
18	2	471 2409-89	Hood	Capot	3	
19	6	736 2840-51	Hose clamp	Attache flexible	3	Ø50-63
20	2	432 2511-01	Drain pipe connection	Raccord de vidange	3	
21	1	432 2516-03	Hose	Flexible	1	
22	1	471 7871-07	Hose clamp	Attache flexible	3	
23	1	471 4051-01	Hose	Flexible	1	-1220/000550
24	1	432 2516-03	Hose	Flexible	1	
25	3	736 2849-51	Hose clamp	Attache flexible	3	Ø77-93
26	1	736 2843-51	Hose clamp	Attache flexible	3	Ø63-73
27	1	736 2849-51	Hose clamp	Attache flexible	3	Ø77-93
28	1	438 7302-08	Cable set	Jeu de câbles	3	
29	1	432 5152-01	Hose	Flexible	1	
30	1	471 8613-05	Tube	Tube	3	Ø50, L=80 -1220/000550
31	1	471 4051-01	Hose	Flexible	1	-1220/000550
32	2	471 8236-57	Valve	Electrovanne	1,2	3-way, 208-240V 50/60Hz, BSP
33	Erf	877 5211-08	Hose	Flexible	1	Per 1 m
34	12	736 2816-51	Hose clamp	Attache flexible	3	Ø13-19
35	1	471 6858-82	Drain hose	Flexible de vidange	1	
36	1	736 2825-51	Hose clamp	Attache flexible	3	Ø32
37	1	438 0127-01	Lock	Serrure	3	
38	1	438 5016-01	Rubber ring	Rondelle caoutchouc	3	
39	1	471 8613-11	Pipe	Tube	3	
40	1	471 8690-21	Angle connector	Raccord d'angle	3	8/6
41	1	432 5177-04	Hose	Flexible	1	W4850H, EX6200cl
	1	432 5177-05	Hose	Flexible	1	W41100H, EX6250cl
	1	432 5177-06	Hose	Flexible	1	Dispensing components, side 1220/000551-



Issue	Month	Year
01	06	10

EX6200cl,EX6250cl							
Water connections 1 1/4"				Illustration	Issue	Month	Year
Raccords eau d'1 1/4"				Schéma	Issue	Month	Year
				500157	2	12	2010
Item Article	Qua. Qua.	Art.No Réf. article	Description	Description	Info Info	Notes Remarques	
1	1	438 5881-01	Mounting plate	Plaque de montage	3		
2	1	438 5881-02	Mounting plate	Plaque de montage	3		
3	3	471 8210-32	Valve	Electrovanne	1,2	1 1/4" 50Hz	
	3	471 8210-31	Valve	Electrovanne	1,2	1 1/4" 60Hz	
4	3	741 3117-21	Nipple	Raccord	3	DN32	
5	1	471 8690-21	Angle connector	Raccord d'angle	3	8/6	
6	3	472 6375-02	Hose nipple	Mamelon de flexible	3	1 1/4"	
7	2	432 5177-01	Hose	Flexible	1		
8	1	432 5177-02	Hose	Flexible	1		
9	6	736 2831-51	Hose clamp	Attache flexible	3	Ø36-42	
10	1	432 5172-01	Siphon breaker	Rupteur de siphon	3		
11	1	471 2409-89	Hood	Capot	3		
12	2	432 5188-01	Clamp	Bride de fixation	3		
13	1	432 5152-01	Hose	Flexible	1		
14	3	736 2849-51	Hose clamp	Attache flexible	3	Ø77-93	
15	2	432 2511-01	Drain pipe connection	Raccord de vidange	3		
16	1	438 5016-01	Rubber ring	Rondelle caoutchouc	3		
17	1	471 2409-89	Hood	Capot	3		
18	2	736 2837-51	Hose clamp	Attache flexible	3	Ø48-54	
19	12	736 2816-51	Hose clamp	Attache flexible	3	Ø13-19	
20	Erf	877 5211-08	Hose	Flexible	1	Per 1 m	
21	1	432 2516-03	Hose	Flexible	1		
22	1	471 7871-07	Hose clamp	Attache flexible	3		
23	2	471 8236-57	Valve	Electrovanne	1,2	3-way, 208-240V 50/60Hz, BSP	
24	1	438 7302-08	Cable set	Jeu de câbles	3		
25	1	438 7300-75	Cables	Câble	3	Soap box	
26	1	438 7300-58	Cable set	Jeu de câbles	3		
27	1	432 5177-05	Hose	Flexible	1	W41100H, EX6250cl	
	1	432 5177-04	Hose	Flexible	1	W4850H, EX6200cl	
	1	432 5177-06	Hose	Flexible	1	Dispensing components, side	
28	3	736 2849-51	Hose clamp	Attache flexible	3	Ø77-93	
29	1	432 2516-03	Hose	Flexible	1		
30	4	736 2840-51	Hose clamp	Attache flexible	3	Ø50-63	
31	1	471 4051-01	Hose	Flexible	1		
32	1	471 8613-05	Tube	Tube	3	Ø50, L=80	
33	1	471 4051-01	Hose	Flexible	1		
34	1	438 0145-14	Hose	Flexible	1	L=1300	
35	1	736 2825-51	Hose clamp	Attache flexible	3	Ø32	



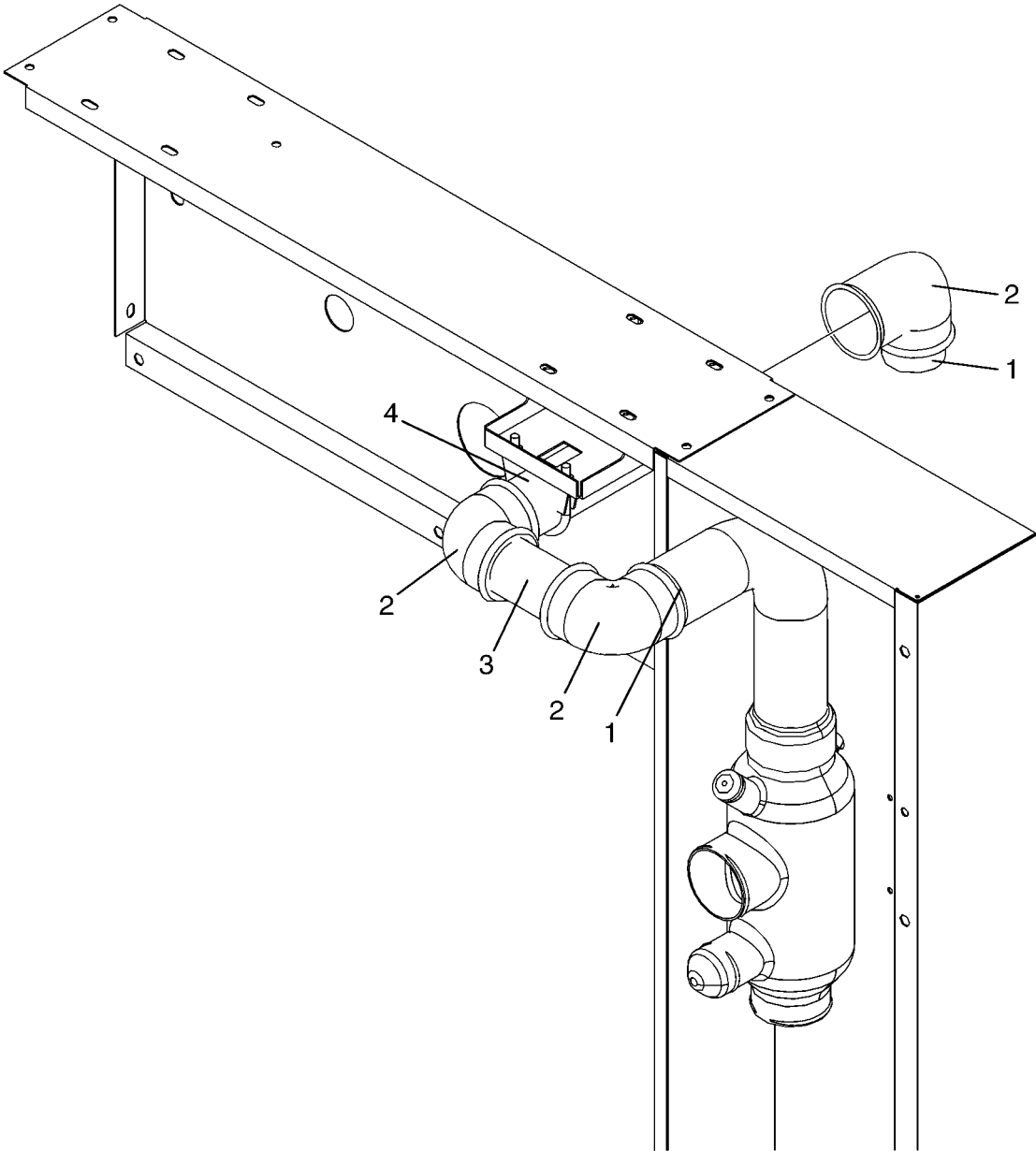
EX6102cl,EX6135cl

Water alternatives Lindström

Option eau Lindström

Illustration Issue Month Year
Schéma Issue Month Year
102377/1 2 2 2007

Item Article	Qua. Qua.	Art.No Réf. article	Description	Description	Info Info	Notes Remarques
1	1	432 5172-01	Siphon breaker	Rupteur de siphon	3	
2	2	432 5177-01	Hose	Flexible	1	
3	1		Joint sleeve	Couvre-joint		Not used
4	7	736 2831-51	Hose clamp	Attache flexible	3	Ø36-42
5	1		Hose	Flexible		Not used
6	1	438 5958-01	Connection	Connexion	3	
7	3	471 8341-44	Screw	Vis	3	MRT 6X12
8	3	732 2116-01	Locking nut	Contre-écrou	3	M6



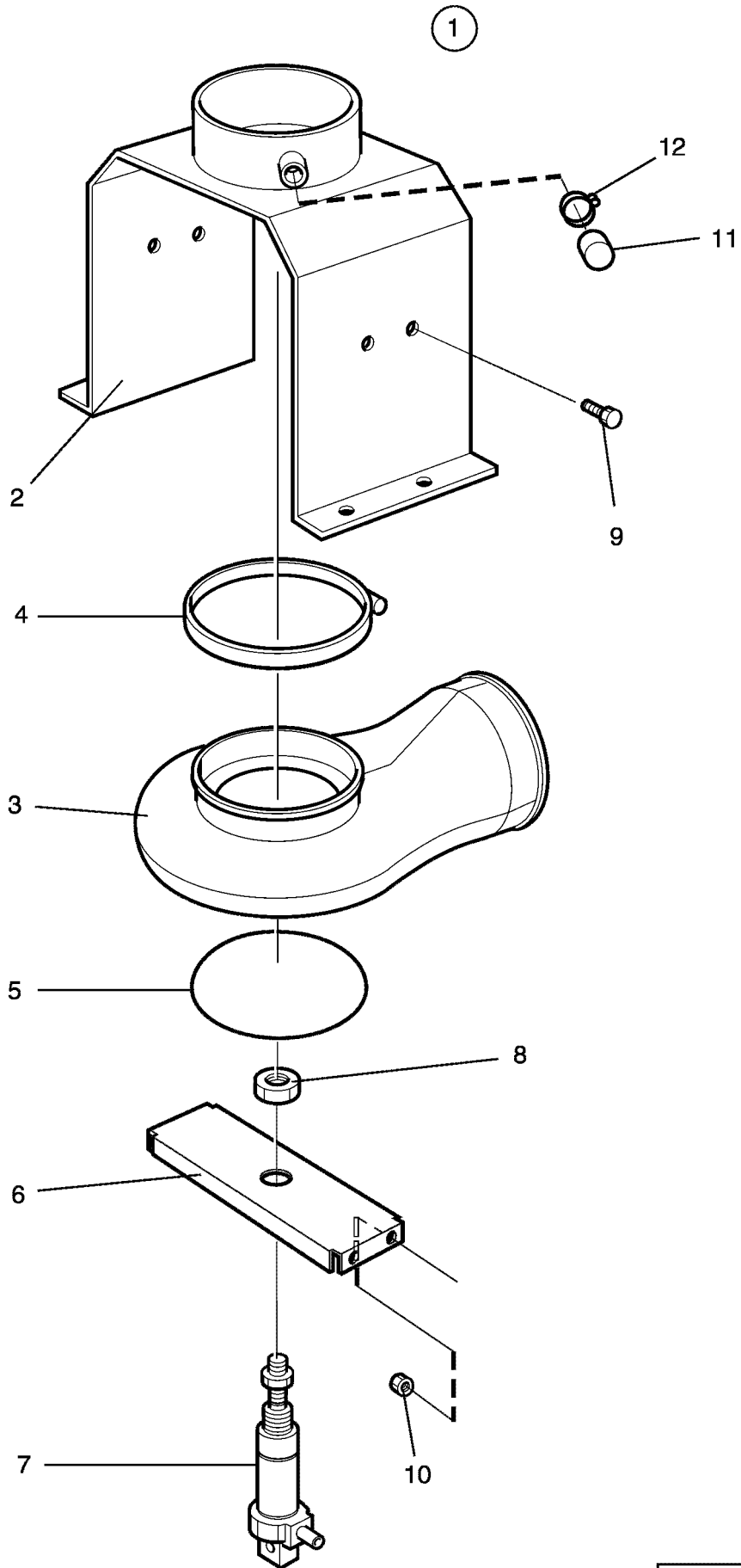
EX6200cl,EX6250cl

Water alternatives Lindström

Option eau Lindström

Illustration	Issue	Month	Year
Schéma	Issue	Month	Year
102527/1	1	3	2007

Item Article	Qua. Qua.	Art.No Réf. article	Description	Description	Info Info	Notes Remarques
1	2	472 6837-01	Pipe	Tube	3	2"
2	3	742 1119-13	Angle	Coude	3	2"
3	1	471 8608-16	Pipe	Tube	3	2"
4	1	471 8608-19	Nipple pipe	Tuyau raccordement	3	



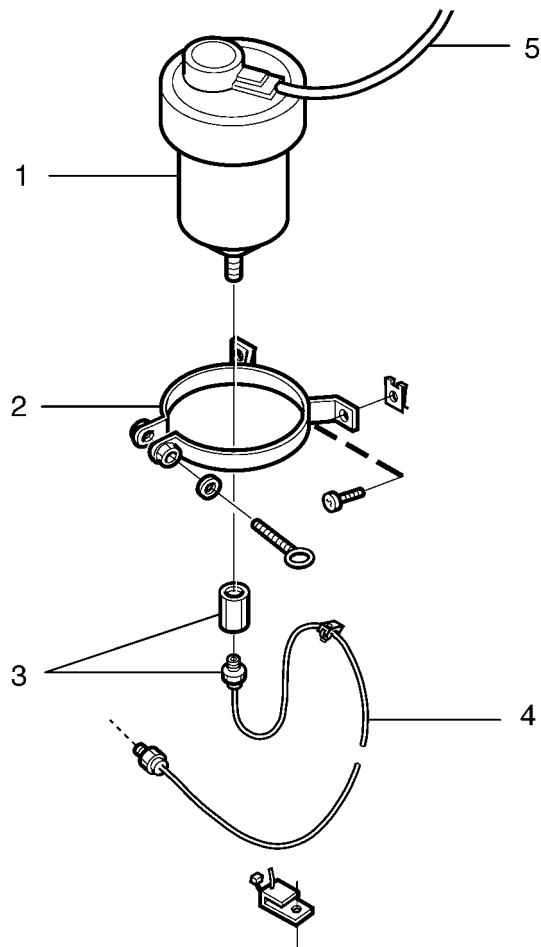
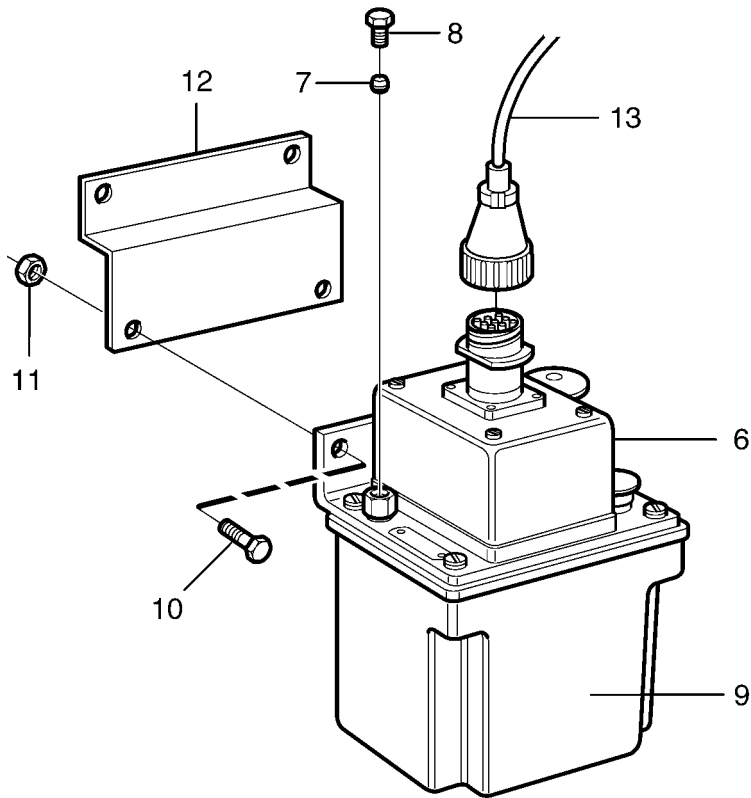
EX6102cl,EX6135cl,EX6200cl,EX6250cl

Drain valve

Vanne de vidange

Illustration Issue Month Year
Schéma Issue Month Year
102595 1 12 2008

Item Article	Quantity Quantité	Art.No Réf. article	Description	Description	Info Info	Notes Remarques
		EX6102cl,EX6135cl				
		EX6200cl,EX6250cl				
1	1	438 4982-03	Drain valve	Vanne de vidange	1	Complete -980/0755
	1	438 4982-04	Drain valve	Vanne de vidange	1	Complete 980/0756-
	1	438 4982-02	Drain valve	Vanne de vidange	1	Complete
2	1	438 4951-03	•Housing	•Logement	3	-980/0755
	1	438 4951-04	•Housing	•Logement	3	980/0756-
	1	438 4951-02	•Housing	•Carter genouillère	3	
3	1	438 4921-01	•Hose	•Flexible	1,2	
4	1	736 2855-51	•Hose clamp	•Attache flexible	3	Ø138
5	2	438 4924-01	•Pressure plate	•Plaque de pression	3	
6	1	438 4961-01	•Bracket	•Bride	3	
7	1	471 8281-01	•Air cylinder	•Air cylinder	1,2	
8	1	732 2118-01	•Locking nut	•Contre-écrou	3	M8
9	4	725 2366-61	•Screw	•Vis	3	M6SF 6X12
10	4	732 2116-01	•Locking nut	•Contre-écrou	3	M6
11	1	471 9037-73	•Sleeve	•Manchon	3	
12	1	736 2816-51	•Hose clamp	•Attache flexible	3	Ø13-19



Issue	Month	Year
03	04	04

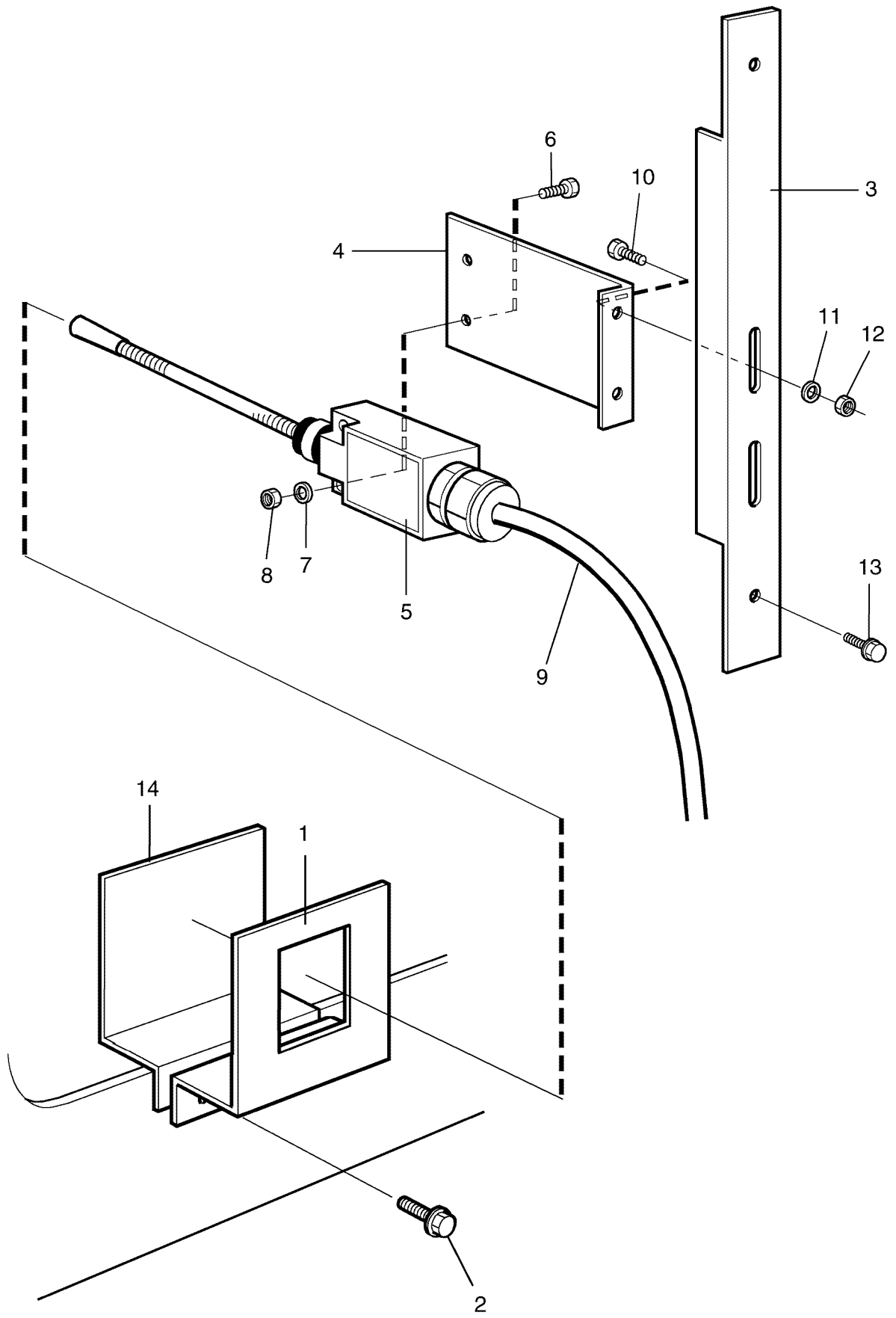
EX6102cl,EX6135cl,EX6200cl,EX6250cl

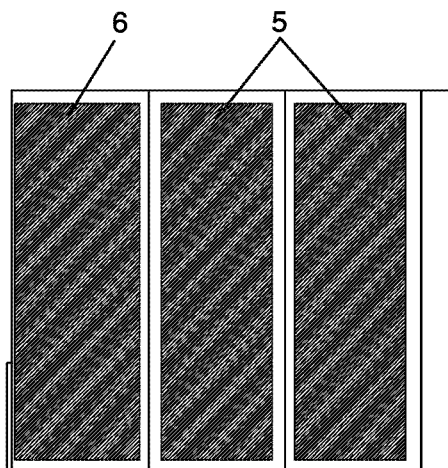
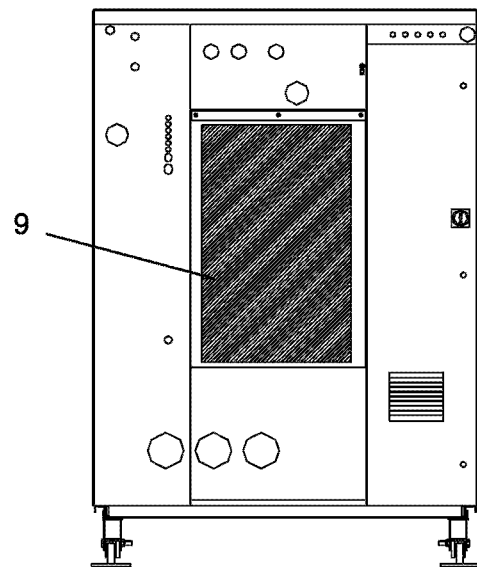
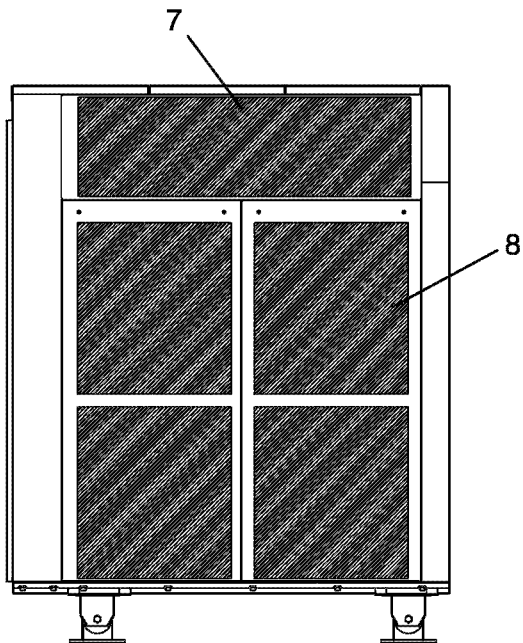
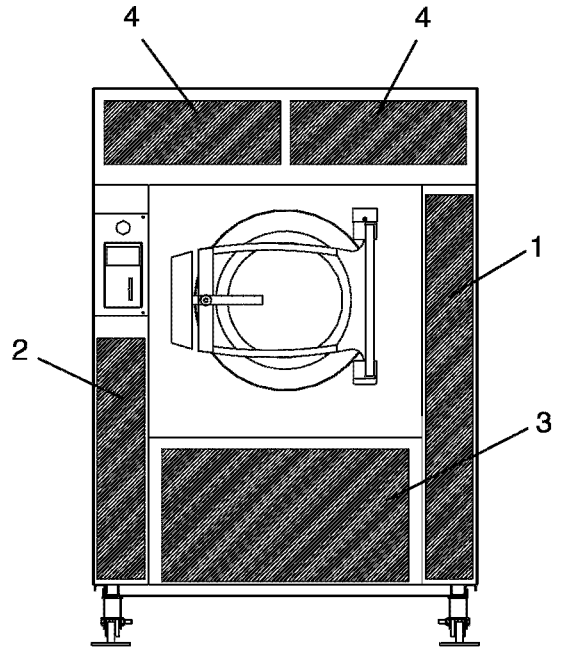
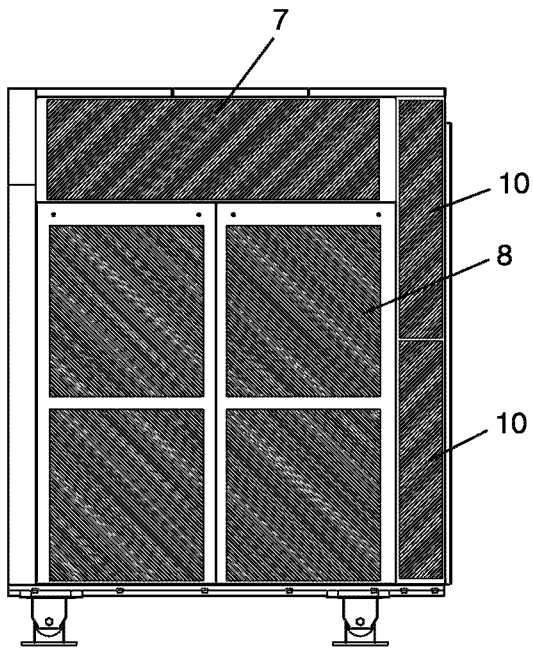
Lubrication

Illustration Issue Month Year
Schéma Issue Month Year
101978/3 5 11 2008

Lubrication

Item Article	Qua. Qua.	Art.No Réf. article	Description	Description	Info Info	Notes Remarques
1	1	471 8276-02	Pump	Pompe	1,2	Complete
2	1	471 8276-12	Bracket	Pièce de retenue	3	
3	1	471 8690-72	Nipple	Raccord	3	Complete
4	Rq	471 8625-00	Hose	Flexible	1	
5	1	438 7302-04	Cable set	Jeu de câbles	3	
6	1	471 8260-11	Pump	Pompe	1	50/60Hz
	1	471 8260-92	•Level control	•Réglage de niveau	1,2	
	1	471 8260-56	•Container	•Conteneur	1	
7	1	471 8260-91	Cone	Cône	3	
8	1	471 8260-90	Bushing	Douille	3	
9	Rq	471 7433-01	Oil	Huile	3	
10	2	471 8341-24	Screw	Vis	3	M5X12
11	2	732 2114-01	Locking nut	Contre-écrou	3	M5
12	1	438 5916-01	Bracket	Pupitre	3	
13	1	438 7302-05	Cable set	Jeu de câbles	3	





Issue	Month	Year
02	12	08

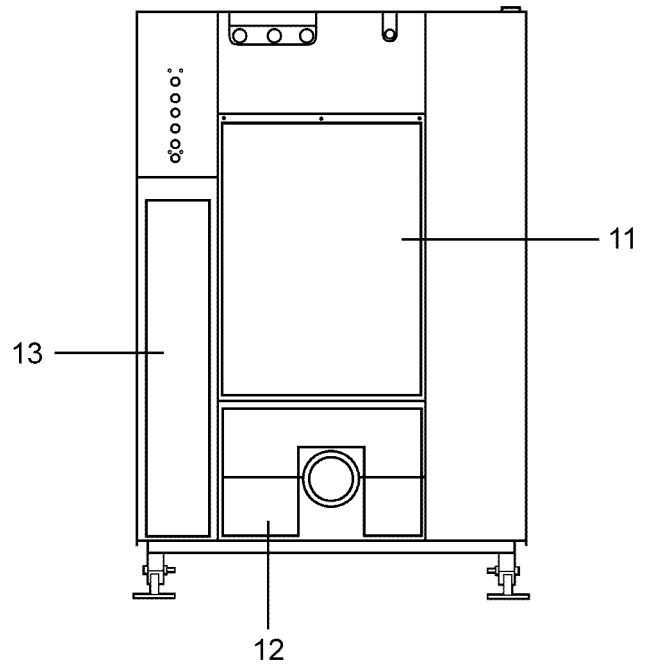
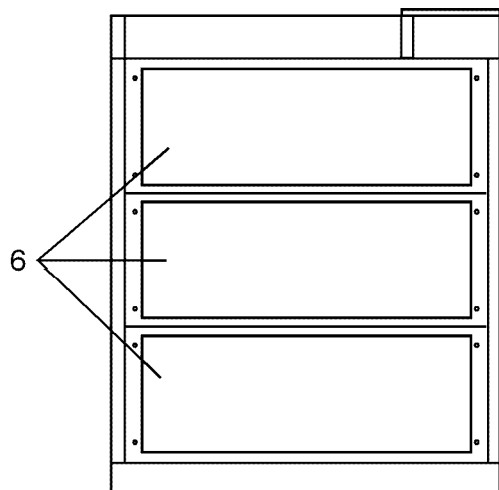
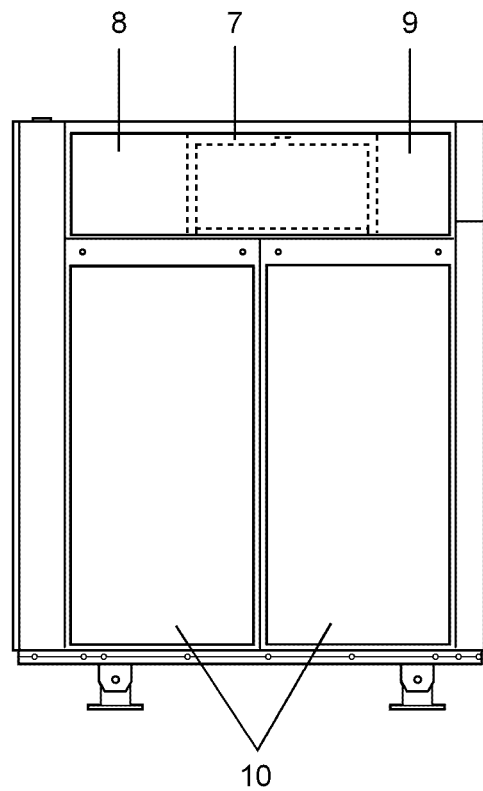
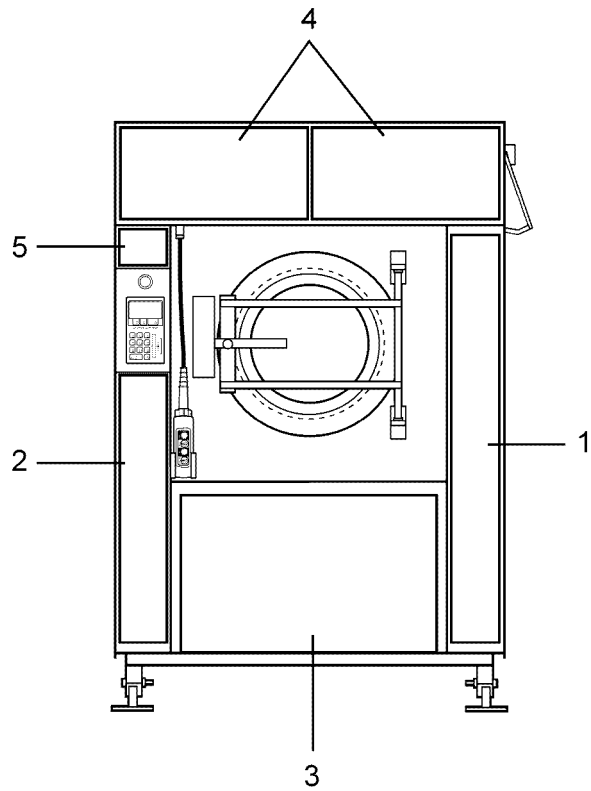
EX6102cl,EX6135cl

Sound insulation

Isolant sonore

Illustration Issue Month Year
Schéma Issue Month Year
102404/1 2 11 2008

Item Article	Quantity Quantité	Art.No Réf. article	Description	Description	Info Info	Notes Remarques
		EX6102cl				
		EX6135cl				
1	1	1	471 7535-40 Shock absorber mat	Tapis amortisseur chocs	3	
2	1	1	471 7535-41 Shock absorber mat	Tapis amortisseur chocs	3	
3	1	1	471 7535-51 Shock absorber mat	Tapis amortisseur chocs	3	
		1	471 7535-42 Shock absorber mat	Tapis amortisseur chocs	3	
4	2	2	471 7535-52 Shock absorber mat	Tapis amortisseur chocs	3	
		2	471 7535-43 Shock absorber mat	Tapis amortisseur chocs	3	
5	2	2	471 7535-53 Shock absorber mat	Tapis amortisseur chocs	3	
		2	471 7535-44 Shock absorber mat	Tapis amortisseur chocs	3	
6	1	1	471 7535-54 Shock absorber mat	Tapis amortisseur chocs	3	
		1	471 7535-45 Shock absorber mat	Tapis amortisseur chocs	3	
7	2	2	471 7535-55 Shock absorber mat	Tapis amortisseur chocs	3	
		2	471 7535-46 Shock absorber mat	Tapis amortisseur chocs	3	
8	8	8	471 7535-56 Shock absorber mat	Tapis amortisseur chocs	3	
		8	471 7535-47 Shock absorber mat	Tapis amortisseur chocs	3	
9	1	1	471 7535-57 Shock absorber mat	Tapis amortisseur chocs	3	
		1	471 7535-48 Shock absorber mat	Tapis amortisseur chocs	3	
10	2	2	471 7535-49 Shock absorber mat	Tapis amortisseur chocs	3	



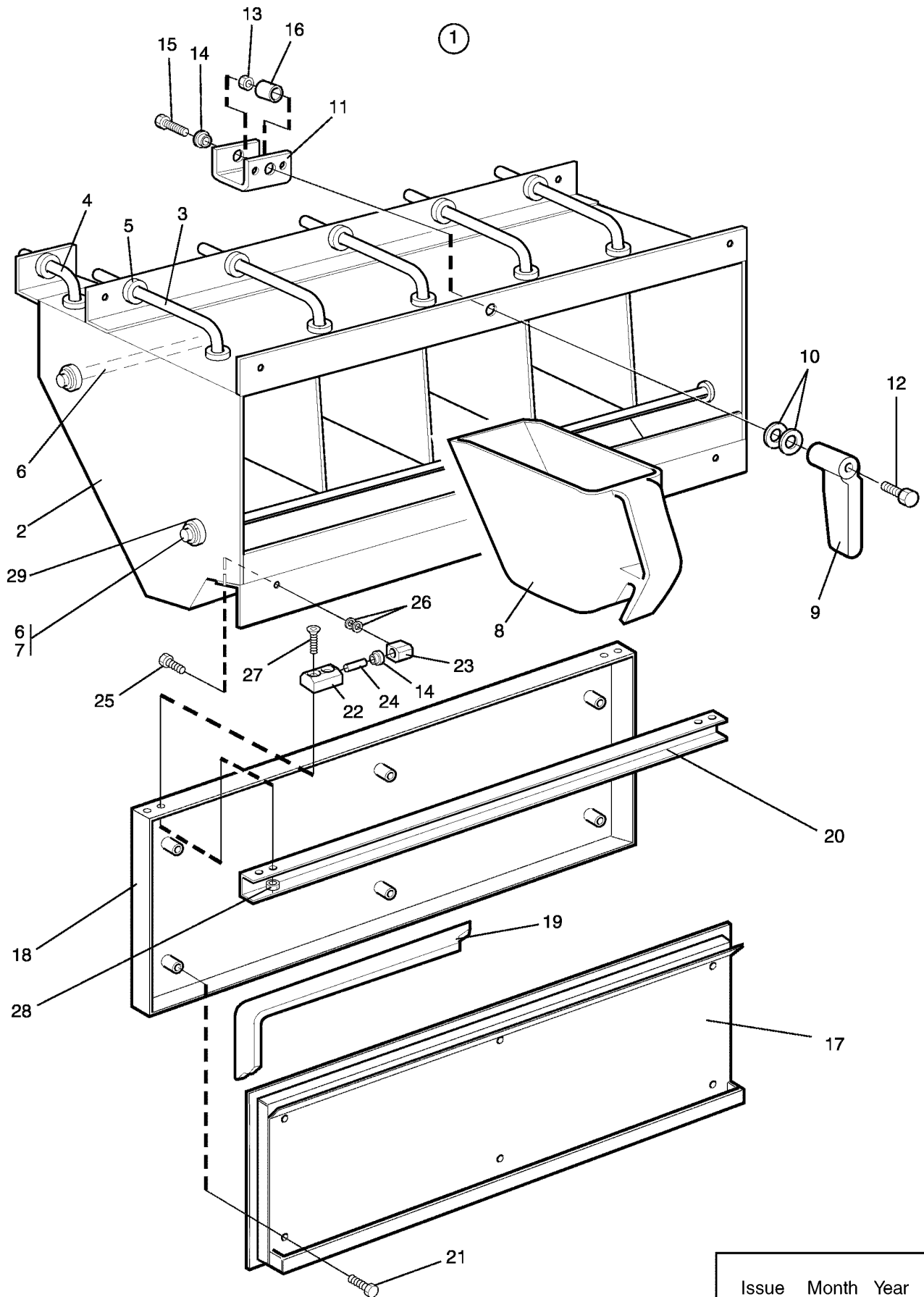
EX6200cl,EX6250cl

Sound insulation

Isolant sonore

Illustration Issue Month Year
Schéma Issue Month Year
102405/1 2 11 2008

Item Article	Qua. Qua.	Art.No Réf. article	Description	Description	Info Info	Notes Remarques
1	1	471 7535-10	Shock absorber mat	Tapis amortisseur chocs	3	
2	1	471 7535-11	Shock absorber mat	Tapis amortisseur chocs	3	
3	1	471 7535-12	Shock absorber mat	Tapis amortisseur chocs	3	
4	2	471 7535-13	Shock absorber mat	Tapis amortisseur chocs	3	
5	1	471 7535-22	Shock absorber mat	Tapis amortisseur chocs	3	
6	3	471 7535-14	Shock absorber mat	Tapis amortisseur chocs	3	
7	1	471 7535-15	Shock absorber mat	Tapis amortisseur chocs	3	
8	1	471 7535-18	Shock absorber mat	Tapis amortisseur chocs	3	
9	1	471 7535-19	Shock absorber mat	Tapis amortisseur chocs	3	
10	4	471 7535-16	Shock absorber mat	Tapis amortisseur chocs	3	
11	1	471 7535-17	Shock absorber mat	Tapis amortisseur chocs	3	
12	1	471 7535-20	Shock absorber mat	Tapis amortisseur chocs	3	
13	1	471 7535-21	Shock absorber mat	Tapis amortisseur chocs	3	
14	1	471 7535-35	Shock absorber mat	Tapis amortisseur chocs	3	Upper



EX6102cl,EX6135cl

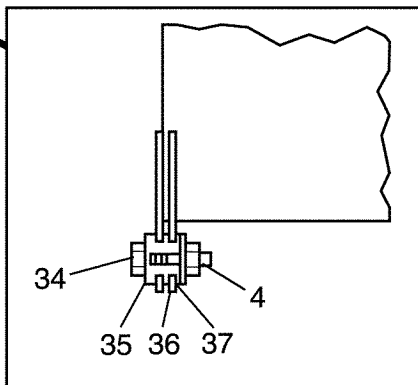
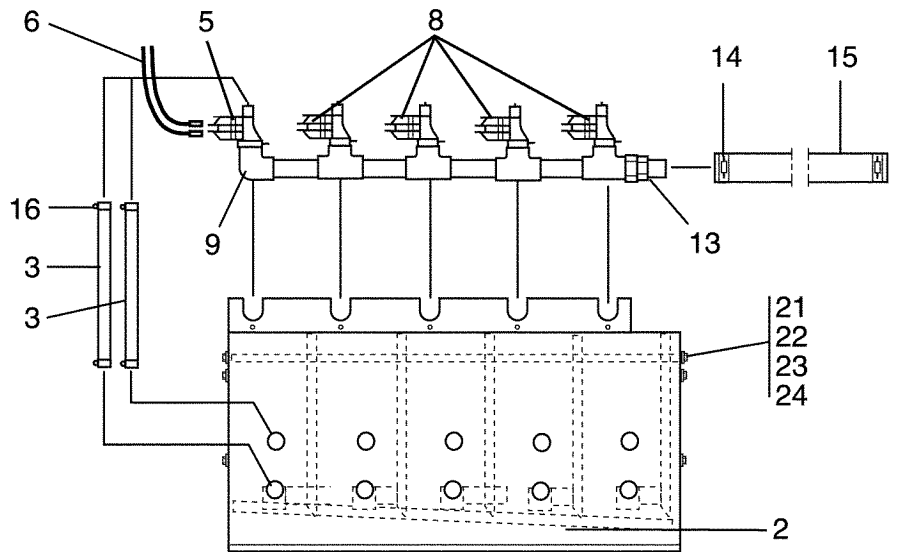
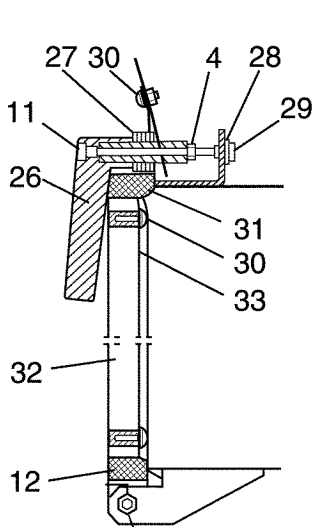
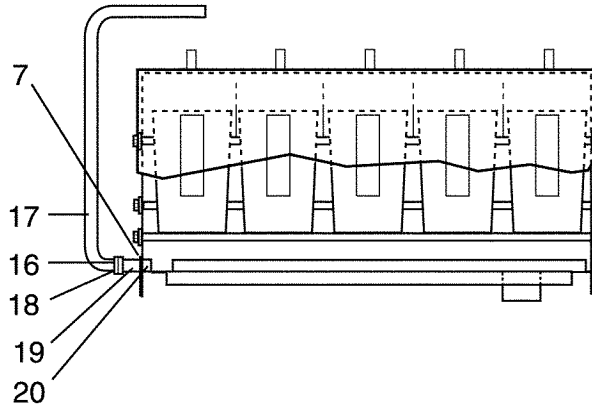
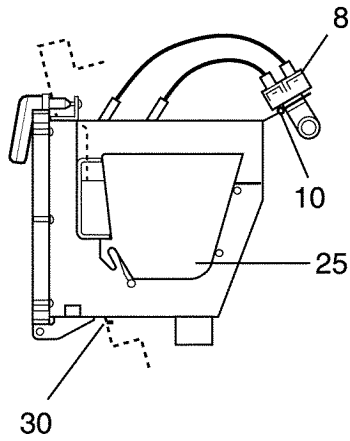
Dispensing components

Distributeur de savon

Illustration Issue Month Year
Schéma Issue Month Year
101452/2 3 12 2010

Item Article	Qua. Qua.	Art.No Réf. article	Description	Description	Info Info	Notes Remarques
1	1	472 7256-04	Detergent container	Compartment à savon	3	Complete
2	1	472 7260-03	•Detergent container	•Compartment à savon	3	
3	5	432 0054-02	•Pipe	•Tube	3	
4	1	432 0054-01	•Elbow	•Tube coudé	3	
5	12	471 8164-01	•Grommet	•Oeillet	3	
6	2	472 6346-01	•Support	•Support	3	
7	4	735 5852-00	•Washer	•Rondelle	3	
8	5	472 6374-01	•Cup	•Godet	1	
9	1	472 6028-01	•Handle	•Poignée	1	
10	2	734 1178-09	•Washer	•Rondelle	3	BRB 13X24
11	1	471 4210-02	•Clamp	•Bride de fixation	3	
12	1	725 5340-01	•Screw	•Vis	3	M5X45
13	1	731 2314-01	•Nut	•Écrou	3	M5
14	3	471 8577-02	•Bushing	•Douille	1	
15	1	471 8344-28	•Screw	•Vis	3	M5X30
16	1	472 6029-01	•Shaft	•Arbre	3	
17	1	432 0477-01	•Door	•Plaque	3	
18	1	472 6363-05	•Cover	•Couvercle	3	
19	1	471 8174-01	•Strip	•Ruban	1	
20	1	432 0476-01	•U-section	•Fer en forme de U	3	
21	6	471 8320-01	•Screw	•Vis	3	M6X12
22	2	472 6397-02	•Bracket	•Support de montage	3	
23	2	472 6396-01	Bracket	Support de montage	3	
24	2	720 1307-06	Pin	Goupille	3	
25	2	725 2327-42	•Screw	•Vis	3	M5X12
26	10	734 1153-09	•Washer	•Rondelle	3	BRB 6,4X12
27	4	471 8348-17	•Screw	•Vis	3	M4X20
28	4	732 2112-42	•Locking nut	•Contre-écrou	3	M4
29	4	471 8164-00	•Grommet	•Oeillet	3	D7

1



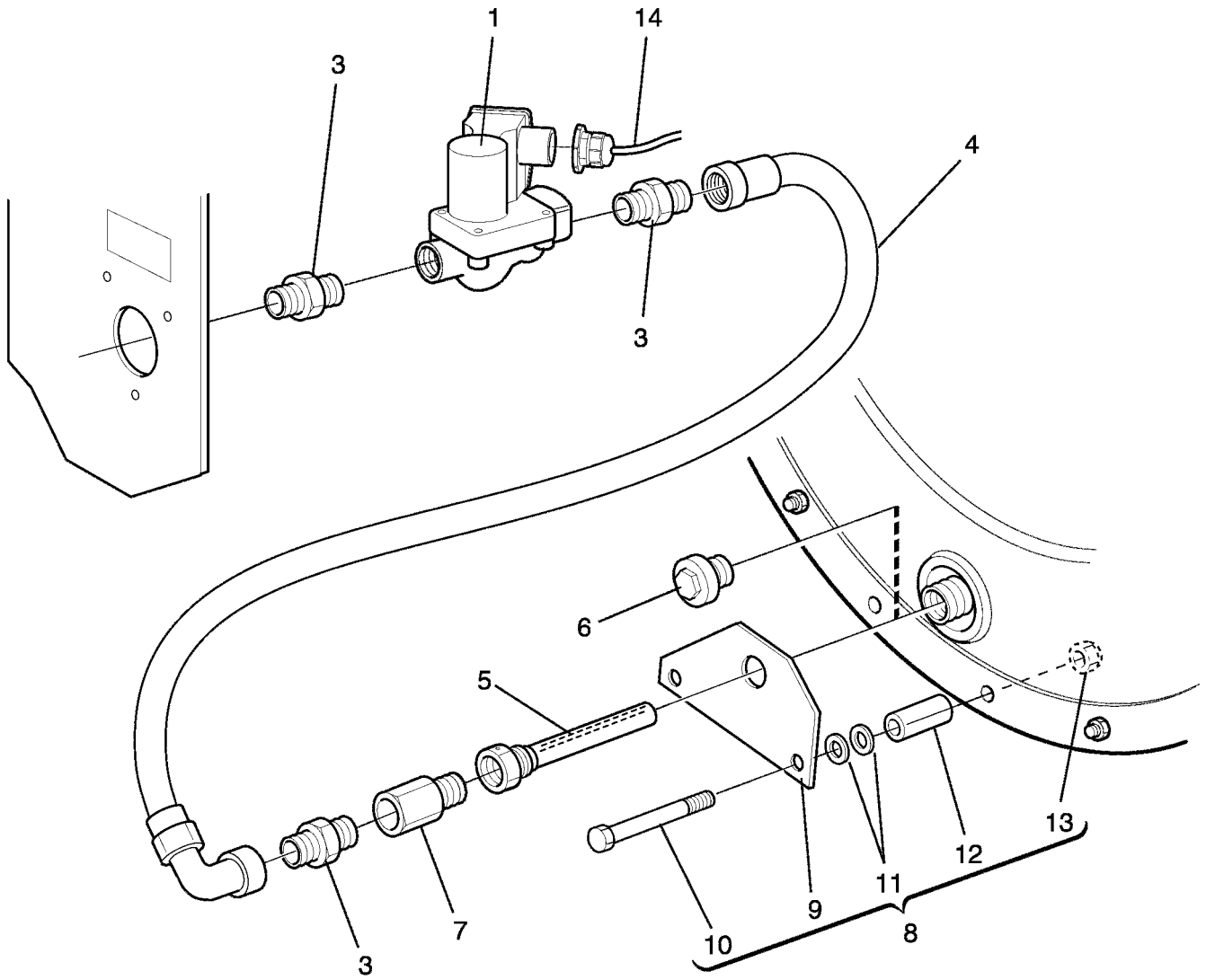
EX6200cl,EX6250cl

Dispensing components, side

Illustration Issue Month Year
Schéma Issue Month Year
102406/1 3 12 2010

Dispensing components, side

Item Article	Qua. Qua.	Art.No Réf. article	Description	Description	Info Info	Notes Remarques
1	1	471 4052-11	Detergent container	Compartiment à savon	3	
2	1	438 5979-01	•Container	•Conteneur	3	
3	Rq	877 5211-08	•Hose	•Flexible	1	Per 1 m
4	8	731 2314-92	•Nut	•Écrou	3	M5 SS
5	1	471 8236-57	•Valve	•Electrovanne	3	3-way, 208-240V 50/60Hz, BSP
6	1	438 7302-09	•Cable set	•Jeu de câbles	3	
7	1	471 8164-01	•Grommet	•Oeillet	1	D11
8	4	471 8235-51	•Valve	•Electrovanne	1,2	2-way, 208-240V 50/60Hz, BSP
9	1	438 5990-01	•Manifold	•Collecteur	3	Complete
10	5	724 1285-42	•Screw	•Vis	3	M4X6
11	1	725 5340-01	•Screw	•Vis	3	M5X45
12	1	471 9203-62	•Gasket	•Bande de garniture	3	
13	2	471 8614-02	•Hose nipple	•Mamelon de flexible	3	R3/4"
14	2	736 2825-51	•Hose clamp	•Attache flexible	3	Ø32 32
15	1	471 2454-80	•Hose	•Flexible	1	
16	20	736 2816-51	•Hose clamp	•Attache flexible	3	Ø13-19 20
17	1	471 2429-80	•Hose	•Flexible	1	
18	1	471 9075-57	•Connection	•Embrayage	3	
19	1	471 9063-05	•Muff	•Tubulure	3	
20	1	471 8643-01	•Nozzle	•Tuyère	1	
21	3	471 4039-02	•Shaft	•Arbre	3	
22	6	471 8517-01	•Washer	•Rondelle	3	
23	6	734 1164-09	•Washer	•Rondelle	3	BRB 8,4X17
24	6	731 2318-42	•Nut	•Écrou	3	M8SS
25	5	471 4103-19	•Cup	•Godet	1	
26	1	472 6030-01	•Handle	•Poignée	1	Complete
27	4	734 1178-09	•Washer	•Rondelle	3	BRB 13X24
28	1	471 8577-02	•Bushing	•Douille	1	
29	1	724 1335-01	•Screw	•Vis	3	M5X30
30	8	471 8344-35	•Screw	•Vis	3	M6X16
31	1	471 8174-02	•Rubber strip	•Joint caoutchouc	1	
32	1	471 4211-02	•Door	•Plaque	3	
33	1	471 4212-01	•Door	•Plaque	3	
34	2	471 8344-26	•Screw	•Vis	3	M5X20
35	2	734 1146-01	•Washer	•Rondelle	3	BRB 5,3X10
36	2	734 1173-09	•Washer	•Rondelle	3	BRB 10,5X21
37	2	471 8576-01	•Bearing bushing	•Douille de palier	3	



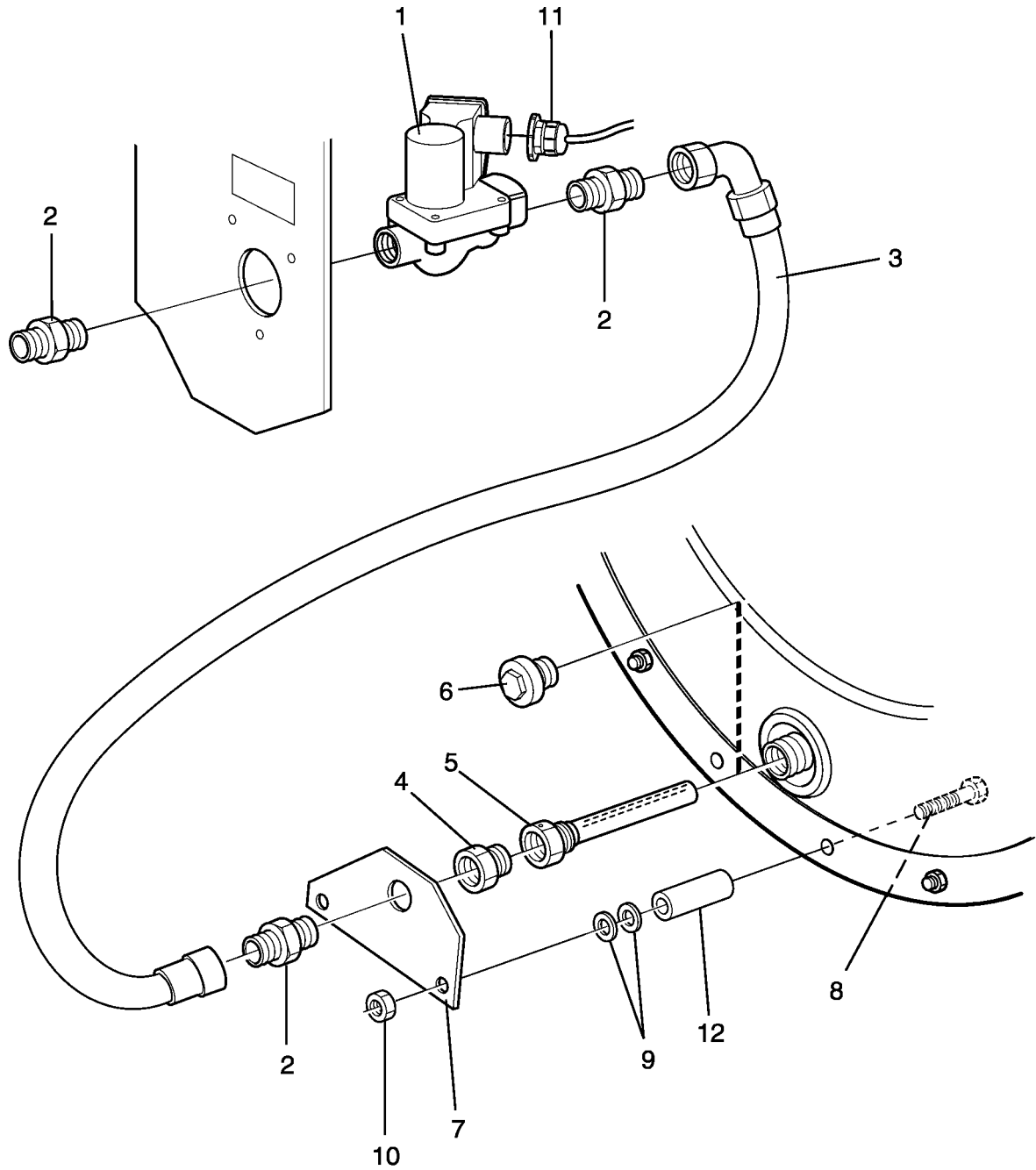
EX6102cl

Steam components

Illustration Issue Month Year
Schéma Issue Month Year
102372/1 2 11 2008

Composants

Item Article	Qua. Qua.	Art.No Réf. article	Description	Description	Info Info	Notes Remarques
1	1	471 8279-04	Valve	Electrovanne	1,2	
	1	471 8279-09	•Repair kit	•Kit de réparation	1,2	
	1	471 8232-14	Valve	Electrovanne	1,2	Air controlled
2						Not used
3	3	471 9219-38	Nipple	Raccord	3	3/4"
4	1	471 8126-23	Hose	Flexible	1,2	
5	1	432 0473-01	Steam injector	Injecteur de vapeur	3	
6	1	741 5115-24	Plug	Fiche	3	3/4"
7	1	471 8658-02	Nipple	Raccord	3	
8	1	438 4541-01	Repair kit	Kit de reconditionnement	1	
9	1	432 0464-01	•Support	•Support	3	
10	2	725 2509-51	•Screw	•Vis	3	M10X90
11	4	734 1173-01	•Washer	•Rondelle	3	BRB 10,5X21
12	2	432 0465-03	•Spacer	•Entretoise	3	
13	2	471 8409-05	•Locking nut	•Contre-écrou	3	M10
14	1	438 7300-71	Cable set	Jeu de câbles	3	Steam



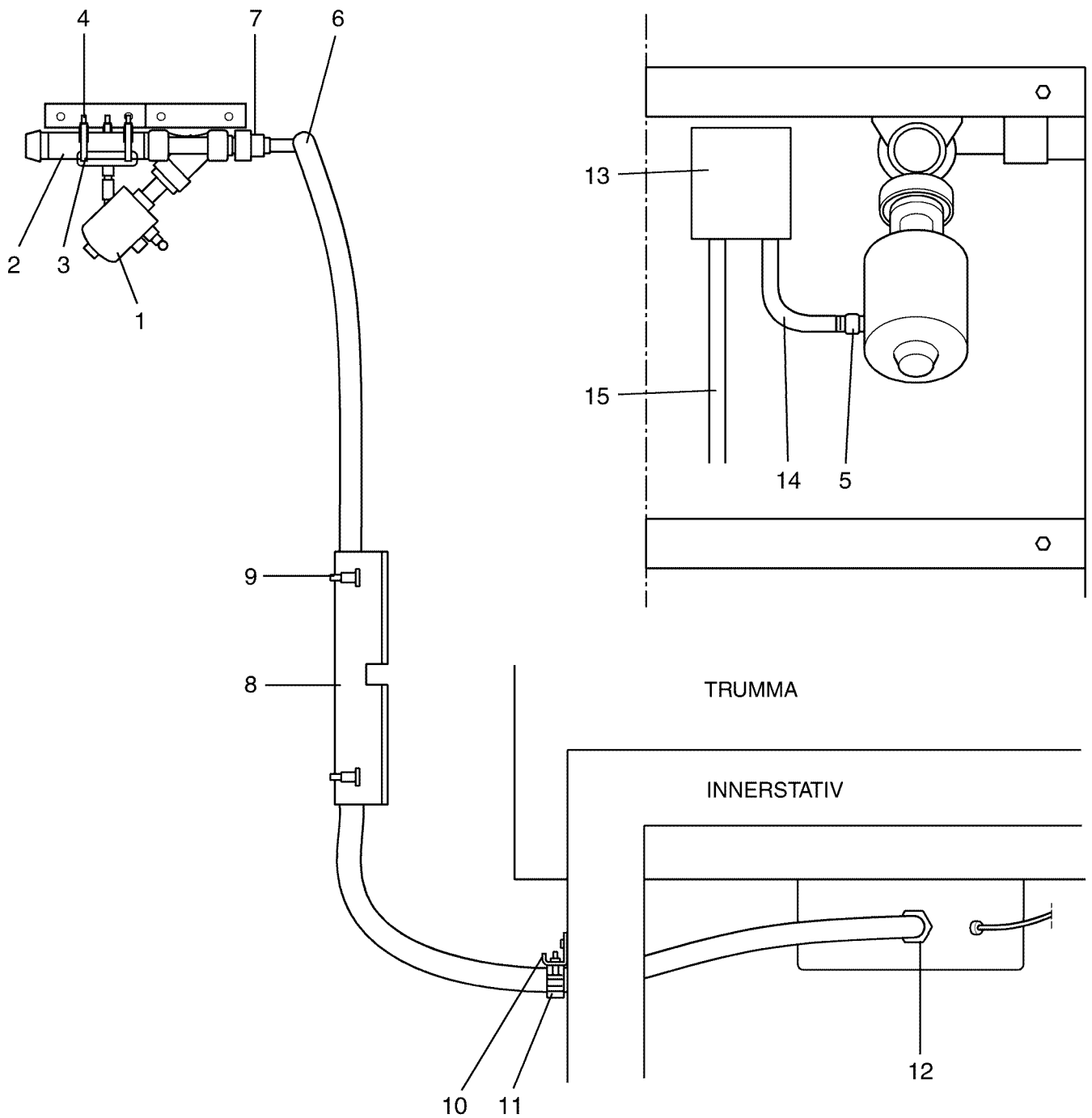
EX6135cl

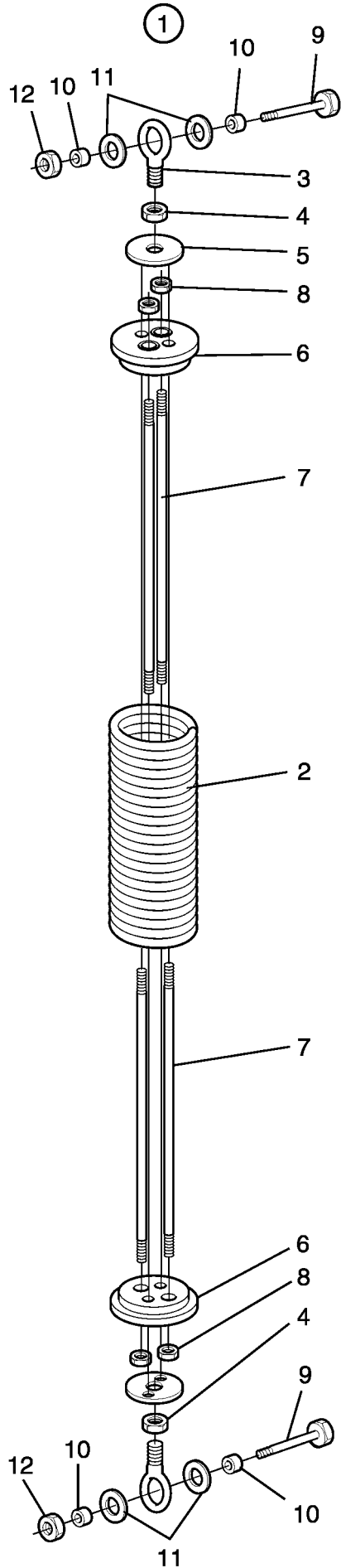
Steam components

Composants

Illustration Issue Month Year
Schéma Issue Month Year
102407/1 1 11 2006

Item Article	Qua. Qua.	Art.No Réf. article	Description	Description	Info Info	Notes Remarques
1	1	471 8279-04	Valve	Electrovanne	1,2	
	1	471 8279-09	•Repair kit	•Kit de réparation	1,2	
	1	471 8232-14	Valve	Electrovanne	1,2	Air controlled
2	3	471 9219-38	Nipple	Raccord	3	3/4"
3	1	471 8126-23	Hose	Flexible	1,2	
4	1	471 8604-06	Bushing	Douille	3	
5	1	432 0473-01	Steam injector	Injecteur de vapeur	3	
6	1	741 5115-24	Plug	Fiche	3	3/4"
7	1	432 0464-02	Support	Support	3	
8	2	725 2503-81	Screw	Vis	3	M10x60
9	4	734 1173-01	Washer	Rondelle	3	BRB 10,5X21
10	2	471 8409-05	Locking nut	Contre-écrou	3	M10
11	1	438 7300-71	Cable set	Jeu de câbles	3	Steam
12	2	432 0465-03	Spacer	Entretoise	3	





102373

Issue	Month	Year
02	04	09

EX6102cl -980/001282

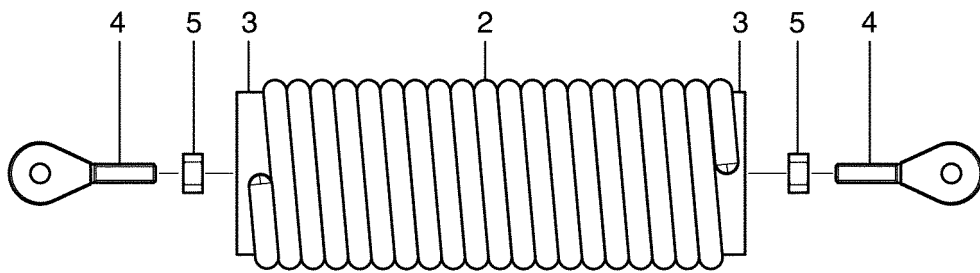
Suspension

Ressorts de suspension

Illustration Issue Month Year
Schéma Issue Month Year
102373/1 3 4 2009

Item Article	Qua. Qua.	Art.No Réf. article	Description	Description	Info Info	Notes Remarques
1	1	472 6234-02	Suspension unit	Organe de suspension	1	
2	1	471 7816-06	•Pressure spring	•Ressort de pression	1	
3	2	471 8307-01	•Link head	•Tête de liaison	3	
4	2	731 2322-01	•Nut	•Écrou	3	M12
5	2	472 6231-00	•Circular plate	•Plaque circulaire	3	
6	2	472 6233-00	•End support	•Support	3	
7	4	472 6232-00	•Rod	•Barre	3	
8	8	732 2118-01	•Locking nut	•Contre-écrou	3	M8
9	8	725 2544-51	Screw	Vis	3	M12X60
10	16	472 6256-02	Spacer	Entretoise	3	
11	16	734 1178-01	Washer	Rondelle	3	BRB 13X24
12	8	732 2122-01	Locking nut	Contre-écrou	3	M12

1



Issue Month Year
01 06 11

EX6102cl 980/001283-

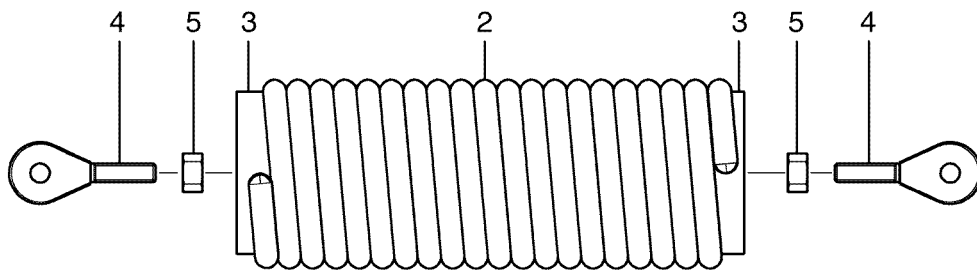
Suspension unit

Organe de suspension

Illustration	Issue	Month	Year
Schéma	Issue	Month	Year
500219	1	7	2011

Item Article	Qua. Qua.	Art.No Réf. article	Description	Description	Info Info	Notes Remarques
1	1	438 5800-03	Suspension unit	Organe de suspension	3	Complete
2	1	471 7882-03	•Spring	•Ressort	3	
3	2	432 0309-03	•Support	•Support	3	
4	2	471 8307-01	•Link head	•Tête de liaison	3	
5	2	731 2322-01	•Nut	•Écrou	3	M12

①



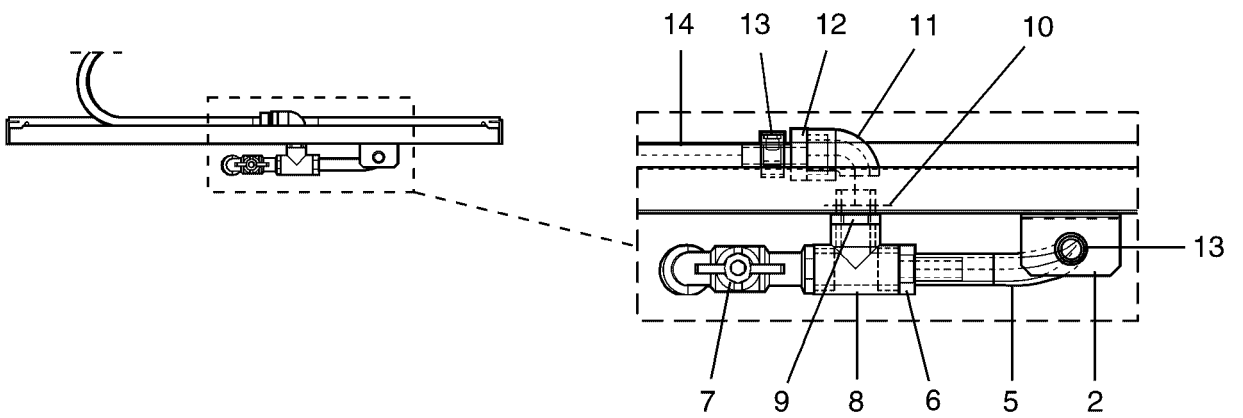
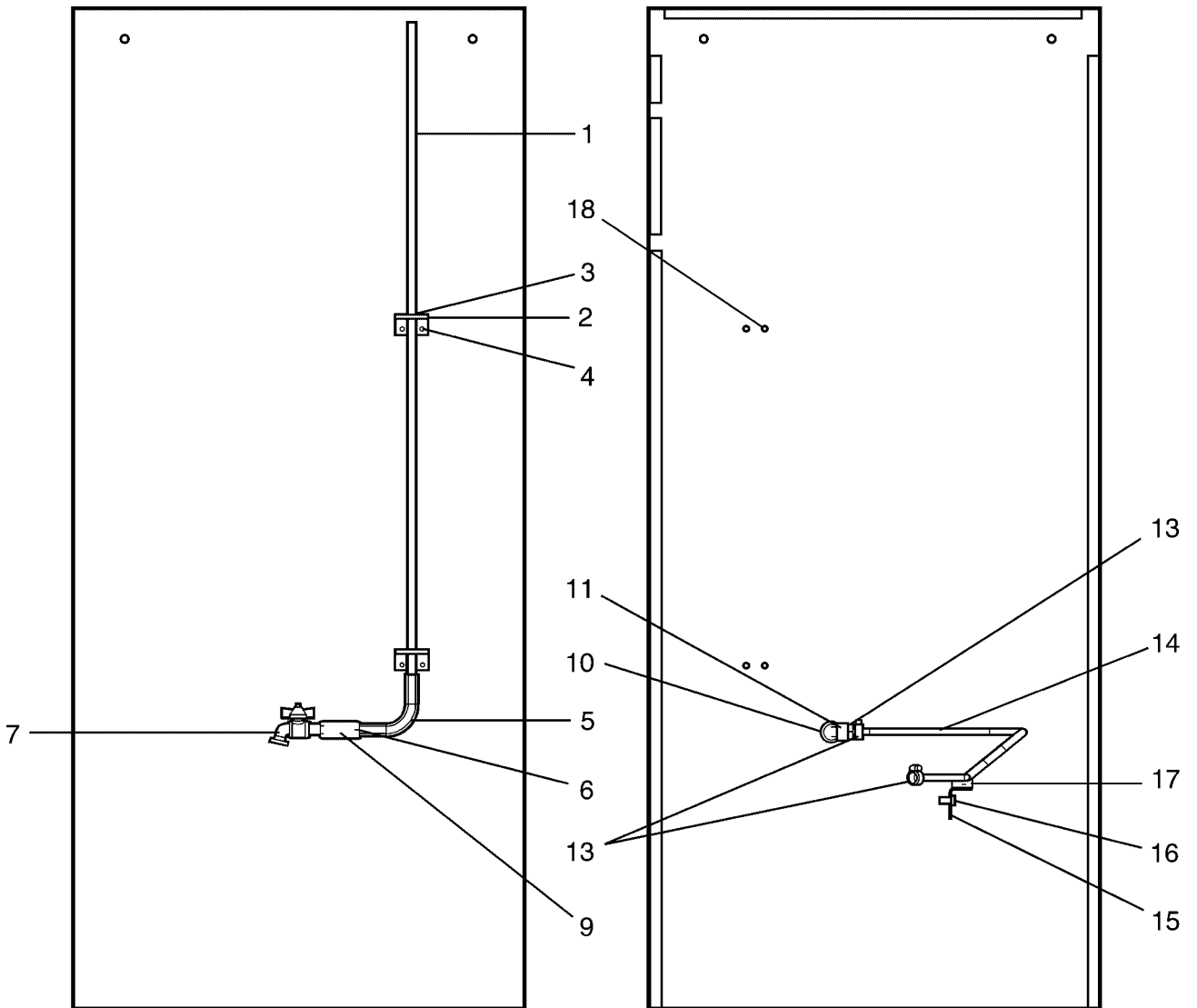
EX6135cl,EX6200cl,EX6250cl

Suspension unit

Organe de suspension

Illustration	Issue	Month	Year
Schéma	Issue	Month	Year
102409/1	1	11	2006

Item Article	Qua. Qua.	Art.No Réf. article	Description	Description	Info Info	Notes Remarques
1	1	438 5800-02	Suspension unit	Organe de suspension	3	COMPL.
2	1	471 7882-02	•Spring	•Ressort	3	Complete
3	2	432 0309-02	•Support	•Support	3	
4	2	471 8307-01	•Link head	•Tête de liaison	3	
5	2	731 2322-01	•Nut	•Écrou	3	M12



Issue	Month	Year
01	11	06

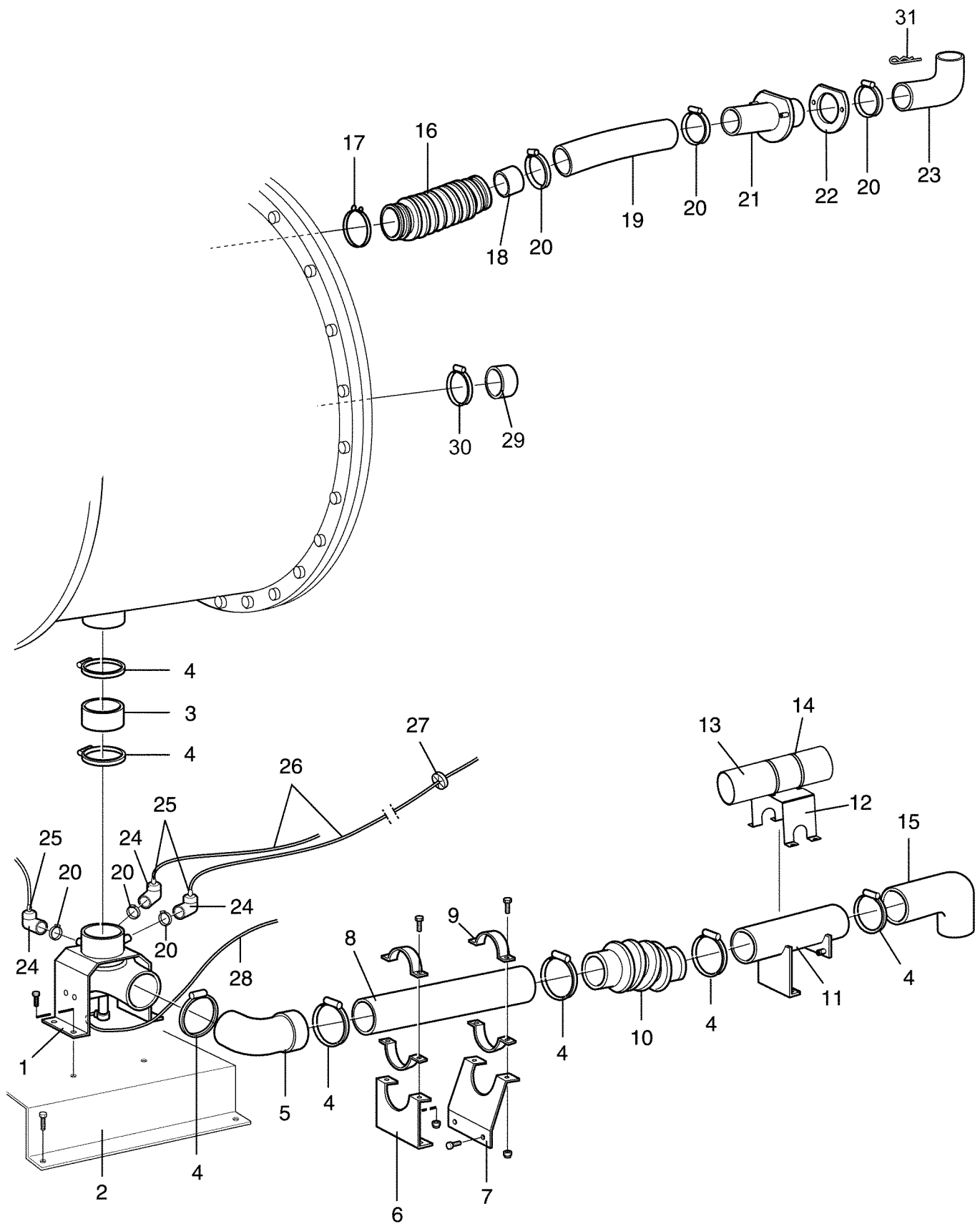
EX6102cl,EX6135cl,EX6200cl,EX6250cl

Level tube and test tap

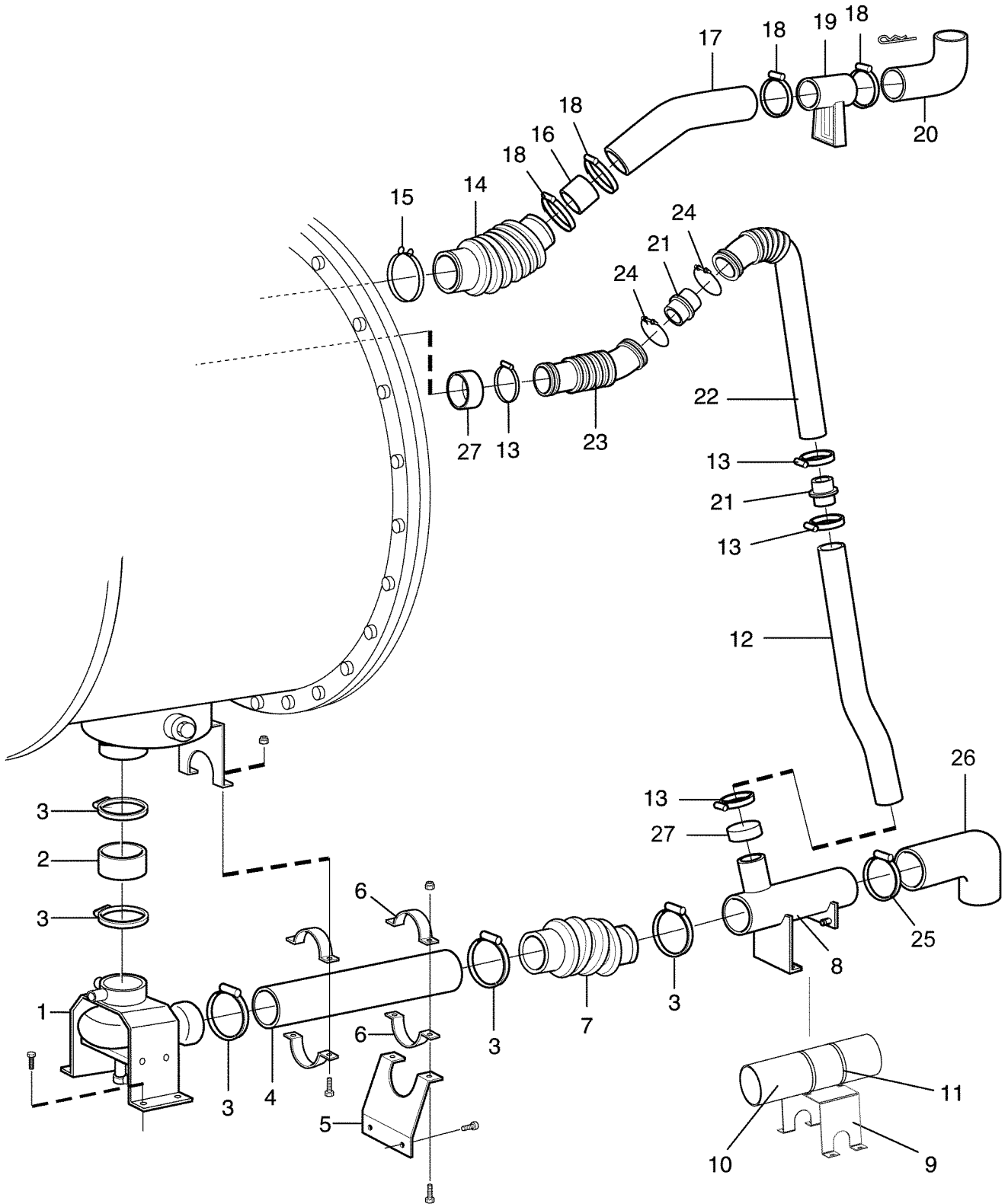
Tuyau de niveau et robinet de test

Illustration Issue Month Year
Schéma Issue Month Year
102410/1 2 11 2008

Item Article	Quantity Quantité	Art.No Réf. article	Description	Description	Info Info	Notes Remarques
		EX6102cl,EX6135cl				
		EX6200cl,EX6250cl				
1	1	471 8665-04	Glass gauge	Tube à niveau d'eau	1	
	1	471 8665-03	Glass gauge	Tube à niveau d'eau	1	
2	2	471 2841-01	Bracket	Support de montage	3	
3	2	471 8164-01	Grommet	Oeillet	3	
4	4	471 8344-13	Screw	Vis	3	M4X10
5	1	471 8140-15	Hose	Flexible	1	L=140
6	1	471 8682-06	Hose nipple	Mamelon de flexible	3	
7	1	471 8238-01	Tap	Robinet	3	
8	1	742 5113-24	T-pipe	Tube en T	3	
9	1	741 3113-22	Nipple	Raccord	3	
10	1	471 8159-06	Gasket	Joint	3	
11	1	742 1113-24	Elbow pipe	Tube en V	3	
12	1	471 8682-06	Hose nipple	Mamelon de flexible	3	
13	2	736 2816-51	Hose clamp	Attache flexible	3	Ø13-19
14	1	471 8140-16	Hose	Flexible	1	L=950
15	1	432 0369-02	Mounting plate	Plaque de montage	3	
	1	432 0369-01	Mounting plate	Plaque de montage	3	
16	2	725 2366-61	Screw	Vis	3	M6SF 6X12
17	3	471 7877-01	Cable tie	Collier de serrage	3	
18	4	732 2112-01	Locking nut	Contre-écrou	3	M4



Issue Month Year
 03 06 10



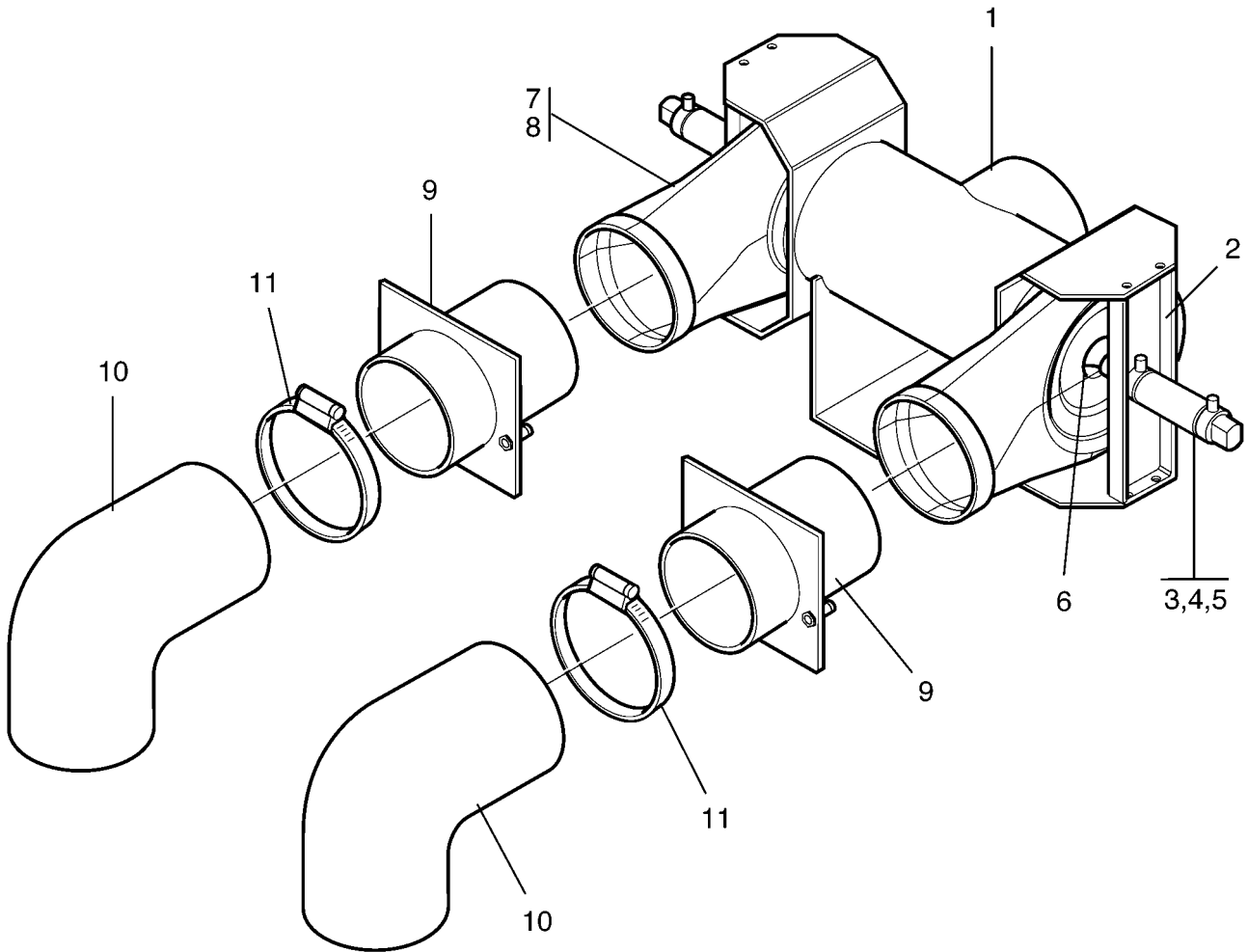
EX6200cl,EX6250cl

Drain and hoses

Ecoulement et flexibles

Illustration Issue Month Year
Schéma Issue Month Year
102411/1 6 12 2010

Item Article	Quantity Quantité	Art.No Réf. article	Description	Description	Info Info	Notes Remarques
		EX6200cl				
		EX6250cl				
1	1	1	Drain valve	Vanne de vidange		Complete
2	1	471 8128-55	Hose	Flexible	1	
3	5	736 2852-51	Hose clamp	Attache flexible	3	Ø93-110
4	1	471 8613-09	Drain pipe	Tuyau d'écoulement	3	
		471 8613-10	Drain pipe	Tuyau d'écoulement	3	
5	1	432 0032-01	Bracket	Pièce de retenue	3	
6	2	471 7855-02	Clamp	Attache	3	
7	1	438 4972-01	Hose	Flexible	1	
8	1	432 0314-02	Drain	Écoulement	3	-1220/000608
9	1	438 6207-01	Bracket	Support de montage	3	1220/000609-
10	1	471 8613-13	Pipe	Tube	3	1220/000609-
11	2	736 2852-51	Hose clamp	Attache flexible	3	Ø93-110 1220/000609-
12	1	471 4005-90	Hose	Flexible	1	-1220/000484
13	4	736 2849-51	Hose clamp	Attache flexible	3	Ø77-93 -1220/000484
14	1	472 6025-00	Hose	Flexible	1	
15	1	472 6024-00	Ring	Anneau	3	
16	1	471 8613-05	Tube	Tube	3	Ø50, L=80
17	1	432 2517-02	Hose	Flexible	1	L=282
18	4	736 2840-51	Hose clamp	Attache flexible	3	Ø50-63
19	1	471 2903-01	Joint piece	Raccord	3	-1220/000608
		432 2510-02	Joint piece	Raccord	3	1220/000609-
20	1	472 7206-01	Hose	Flexible	3	
21	2	438 0083-01	Joint sleeve	Couvre-joint	3	-1220/000484
22	1	432 2516-03	Hose	Flexible	1	L=385 -1220/000484
23	1	432 2516-05	Hose	Flexible	1	L=75 -1220/000484
24	2	471 7871-07	Hose clamp	Attache flexible	1	Ø83 -1220/000484
25	1	736 2852-51	Hose clamp	Attache flexible	3	Ø93-110
26	1	432 0047-01	Hose	Flexible	1	
27	2	472 9087-01	Hood	Capot	3	1220/000485-



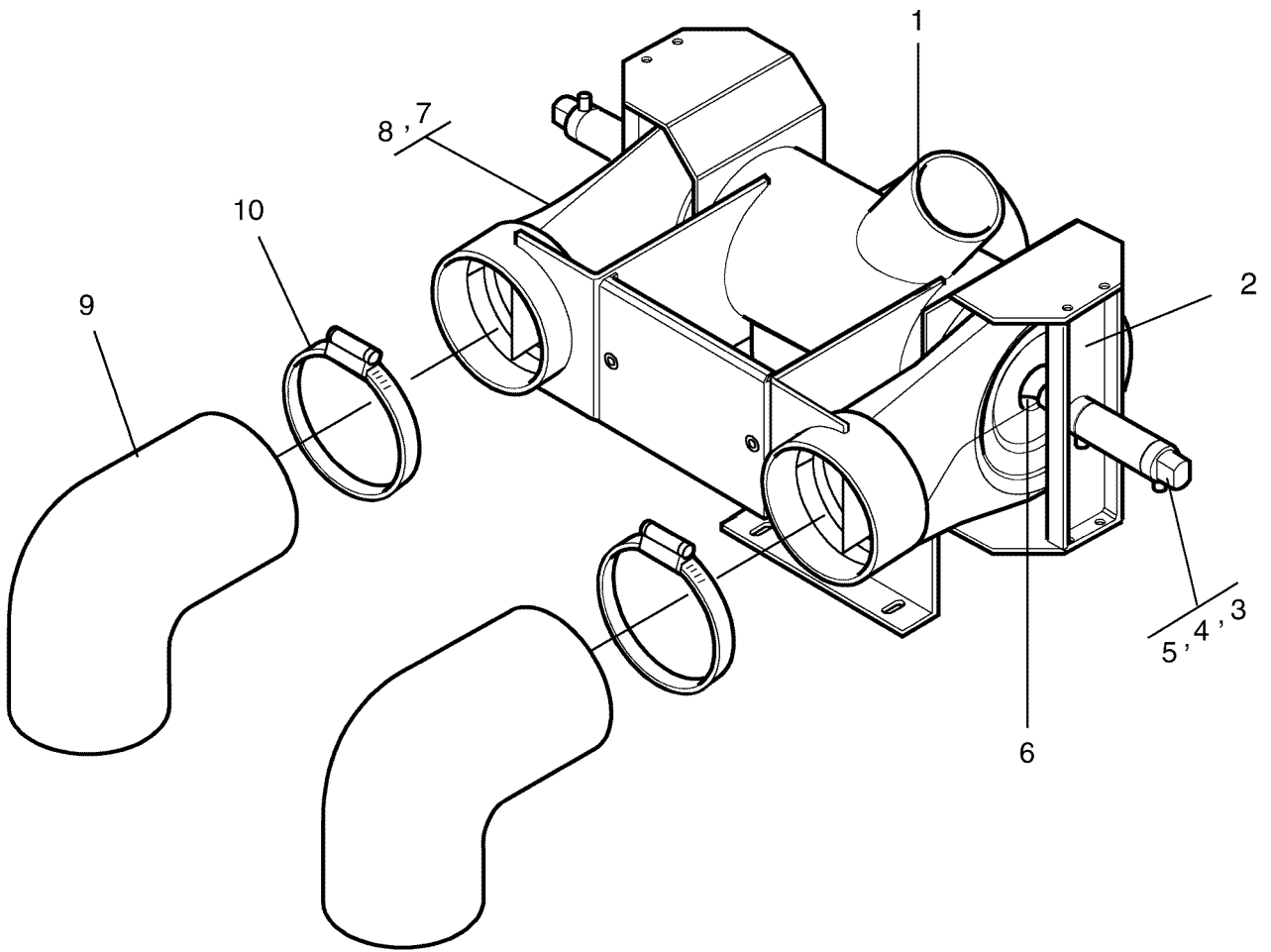
EX6102cl,EX6135cl

Drain valve and hoses, water recovery

Purgeur et flexibles, recyclage

Illustration Issue Month Year
Schéma Issue Month Year
102213/1 3 4 2010

Item Article	Qua. Qua.	Art.No Réf. article	Description	Description	Info Info	Notes Remarques
1	1	432 0484-03	Connection	Connexion	3	
2	2	438 4961-01	Bracket	Bride	3	
3	2	471 8281-01	Air cylinder	Air cylinder	1,2	
4	-					Not used
5	2	732 2118-01	Locking nut	Contre-écrou	3	M8
6	2	438 4924-01	Pressure plate	Plaque de pression	3	
7	2	438 4921-01	Hose	Flexible	1	
8	4	736 2855-51	Hose clamp	Attache flexible	3	Ø138
9	2	438 5908-01	Drain pipe connection	Raccord de vidange	3	
10	1	432 0047-01	Hose	Flexible	1	
11	1	736 2852-51	Hose clamp	Attache flexible	3	Ø93-110



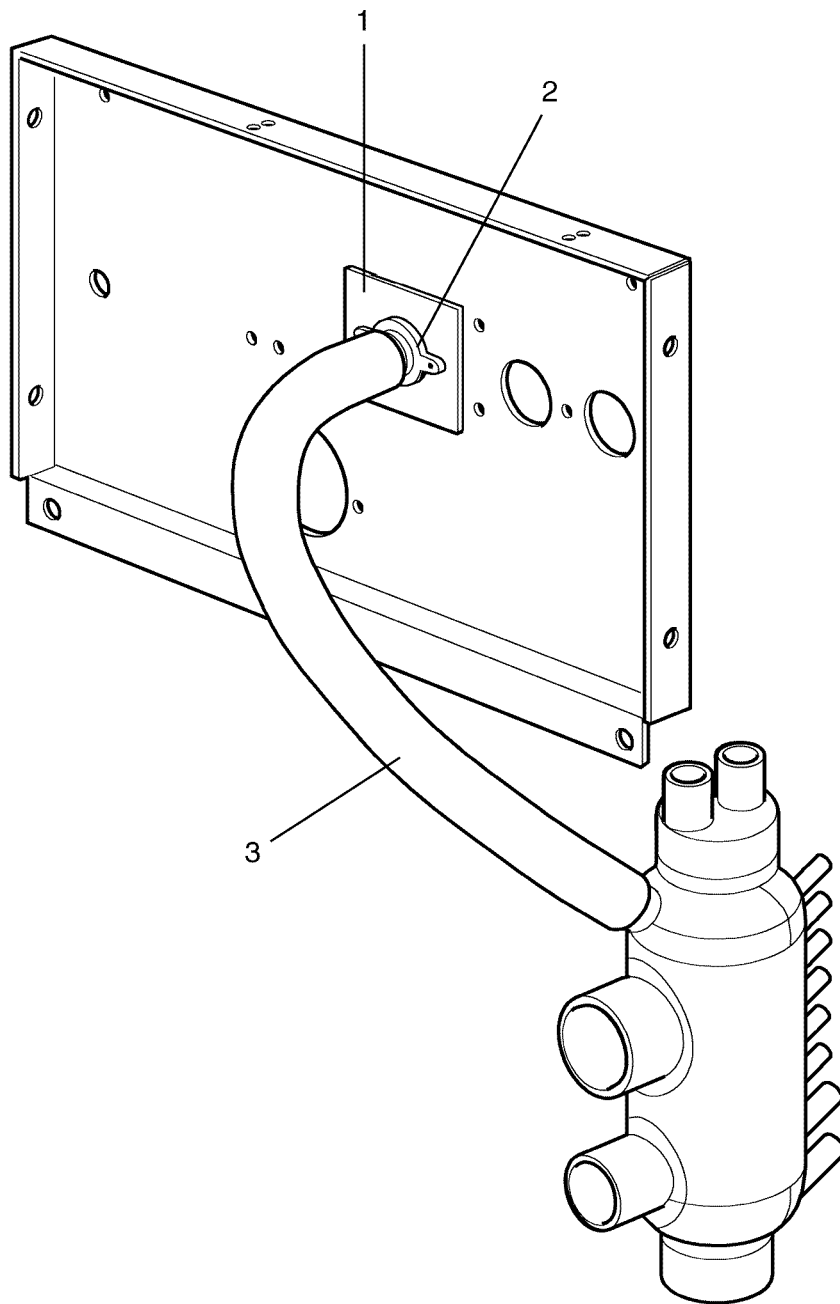
EX6200cl,EX6250cl

Drain valve and hoses, water recovery

Purgeur et flexibles, recyclage

Illustration Issue Month Year
Schéma Issue Month Year
102412/1 4 12 2010

Item Article	Qua. Qua.	Art.No Réf. article	Description	Description	Info Info	Notes Remarques
1	1	432 0484-04	Connection	Connexion	3	-1220/000608
	1	432 0484-05	Connection	Connexion	3	1220/000609-
2	2	438 4961-01	Bracket	Bride	3	
3	2	471 8281-01	Air cylinder	Air cylinder	1,2	
4	-					Not used
5	2	732 2118-01	Locking nut	Contre-écrou	3	M8
6	2	438 4924-01	Pressure plate	Plaque de pression	3	
7	2	438 4921-01	Hose	Flexible	1	
8	4	736 2855-51	Hose clamp	Attache flexible	3	Ø138
9	1	432 0047-01	Hose	Flexible	1	
10	1	736 2852-51	Hose clamp	Attache flexible	3	Ø93-110



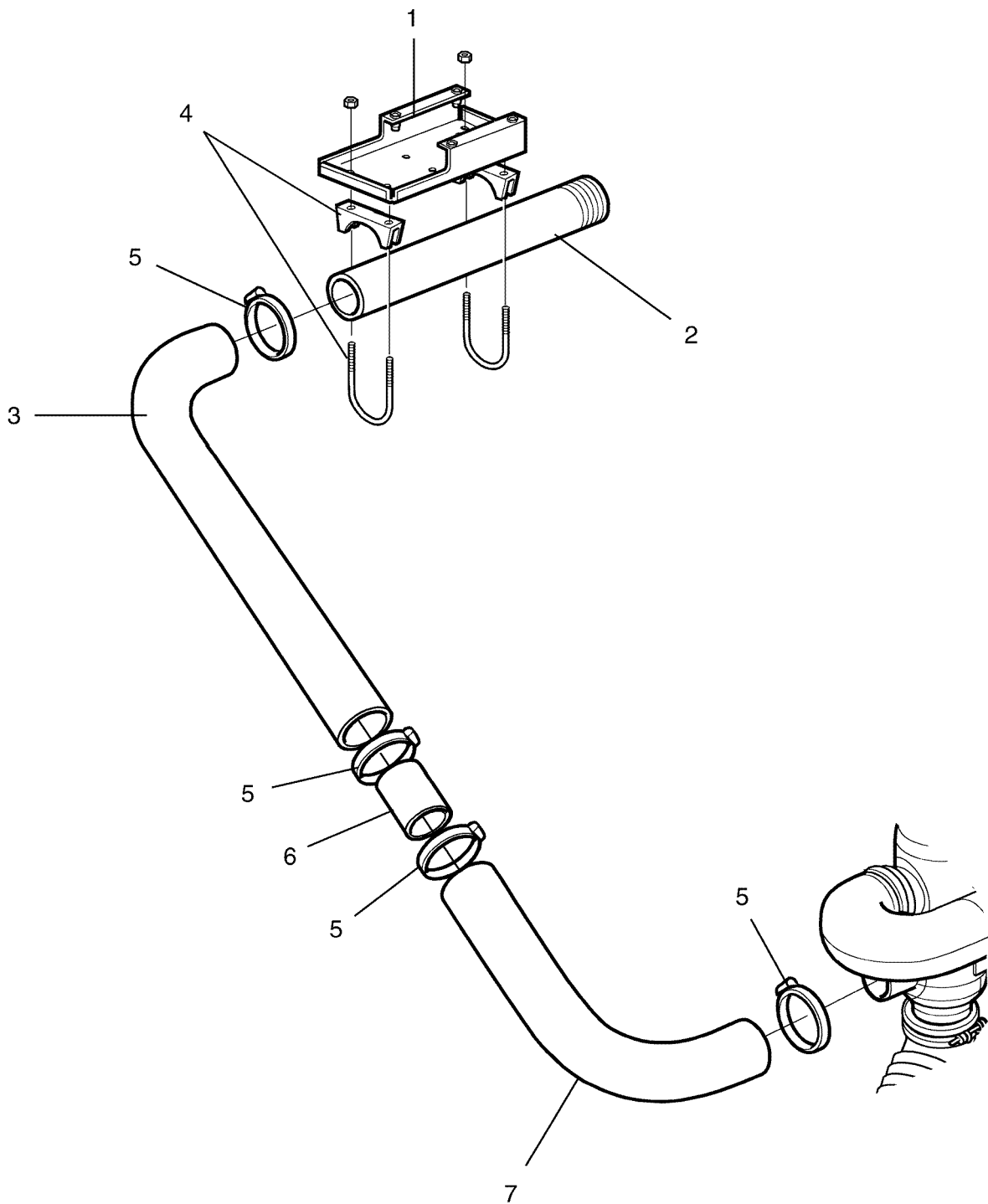
EX6102cl,EX6135cl

Water recovery system

Recyclage de l'eau

Illustration	Issue	Month	Year
Schéma	Issue	Month	Year
102413/1	1	11	2006

Item Article	Qua. Qua.	Art.No Réf. article	Description	Description	Info Info	Notes Remarques
1	1	438 5912-01	Mounting plate	Plaque de montage	3	
2	1	472 7261-01	Nipple	Raccord	3	
3	1	432 5177-02	Hose	Flexible	1	



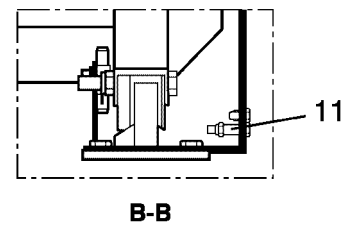
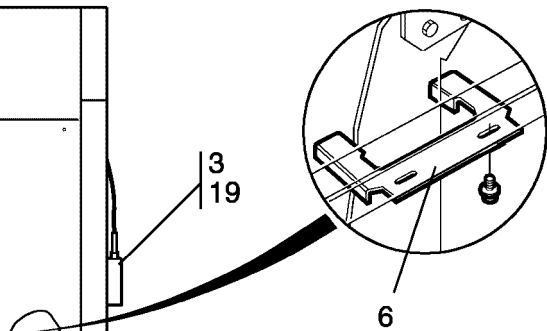
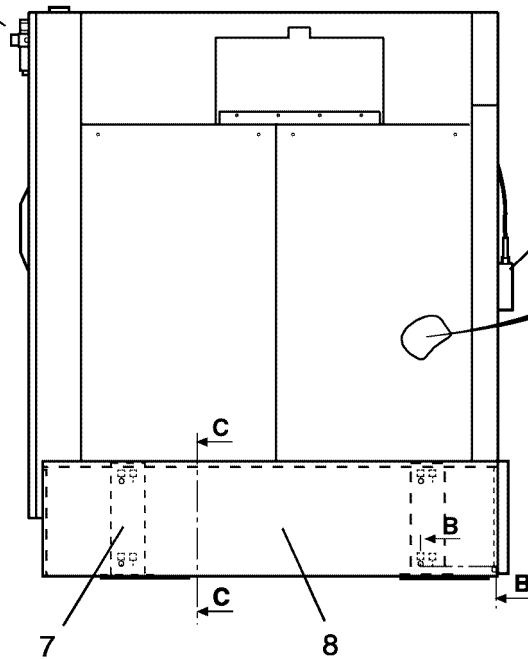
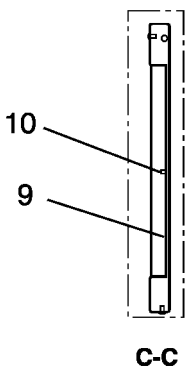
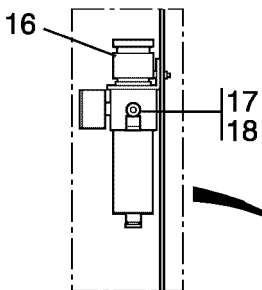
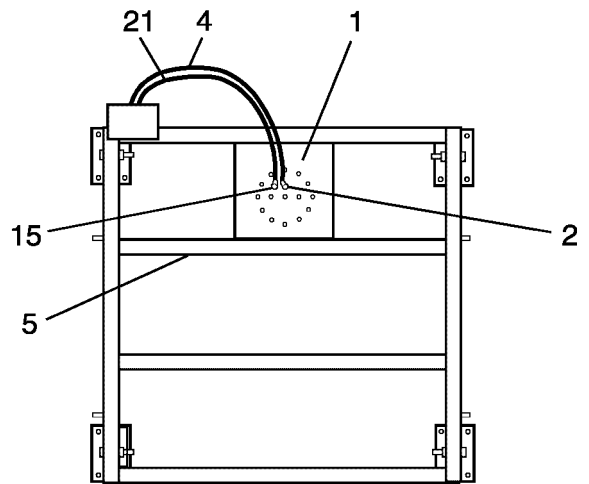
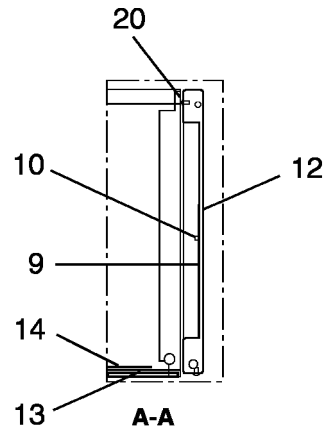
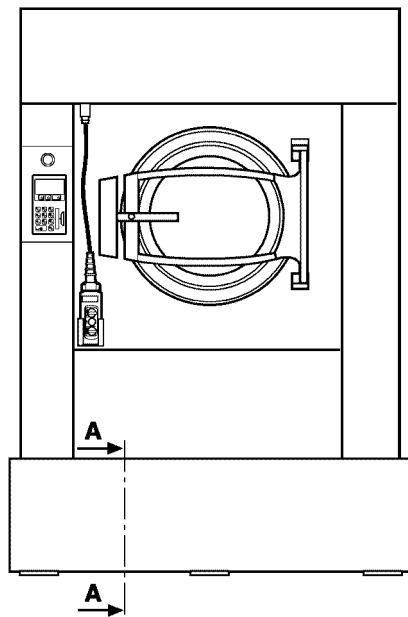
EX6200cl,EX6250cl

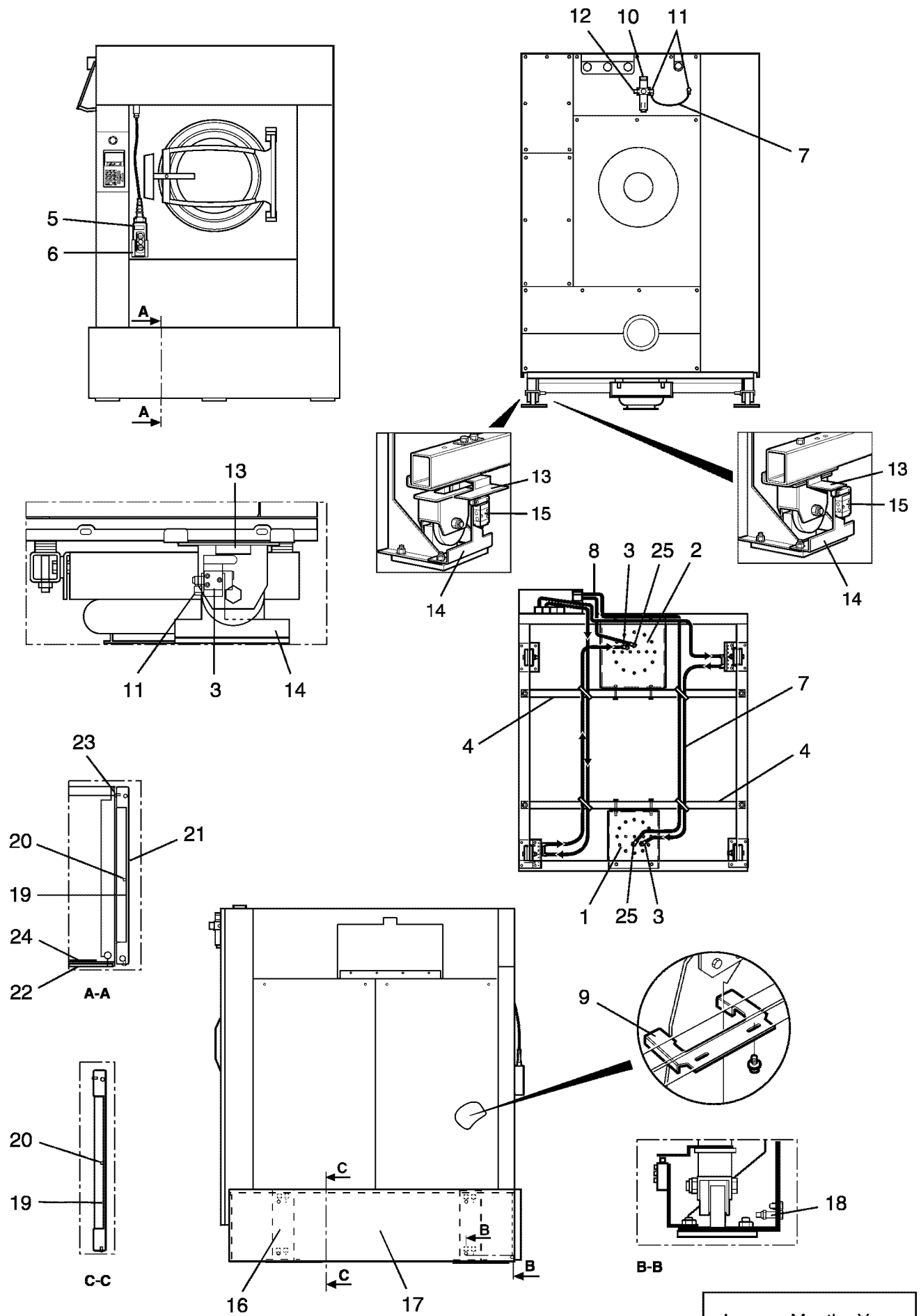
Water recovery system

Recyclage de l'eau

Illustration Issue Month Year
Schéma Issue Month Year
102414/1 1 11 2006

Item Article	Qua. Qua.	Art.No Réf. article	Description	Description	Info Info	Notes Remarques
1	1	432 5089-02	Mounting plate	Plaque de montage	3	1 1/2"
2	1	471 8608-17	Nipple pipe	Tuyau raccordement	3	1 1/2"
3	1	438 5040-01	Drain hose	Flexible de vidange	1	Ø50
4	2	471 7858-01	Clamp	Attache	3	1 1/2"
5	4	736 2840-51	Hose clamp	Attache flexible	3	Ø50-63
6	1	471 8613-05	Tube	Tube	3	Ø50, L=80
7	1	438 5040-02	Hose	Flexible	1	





Issue	Month	Year
02	12	08

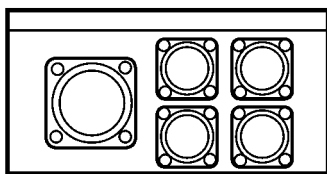
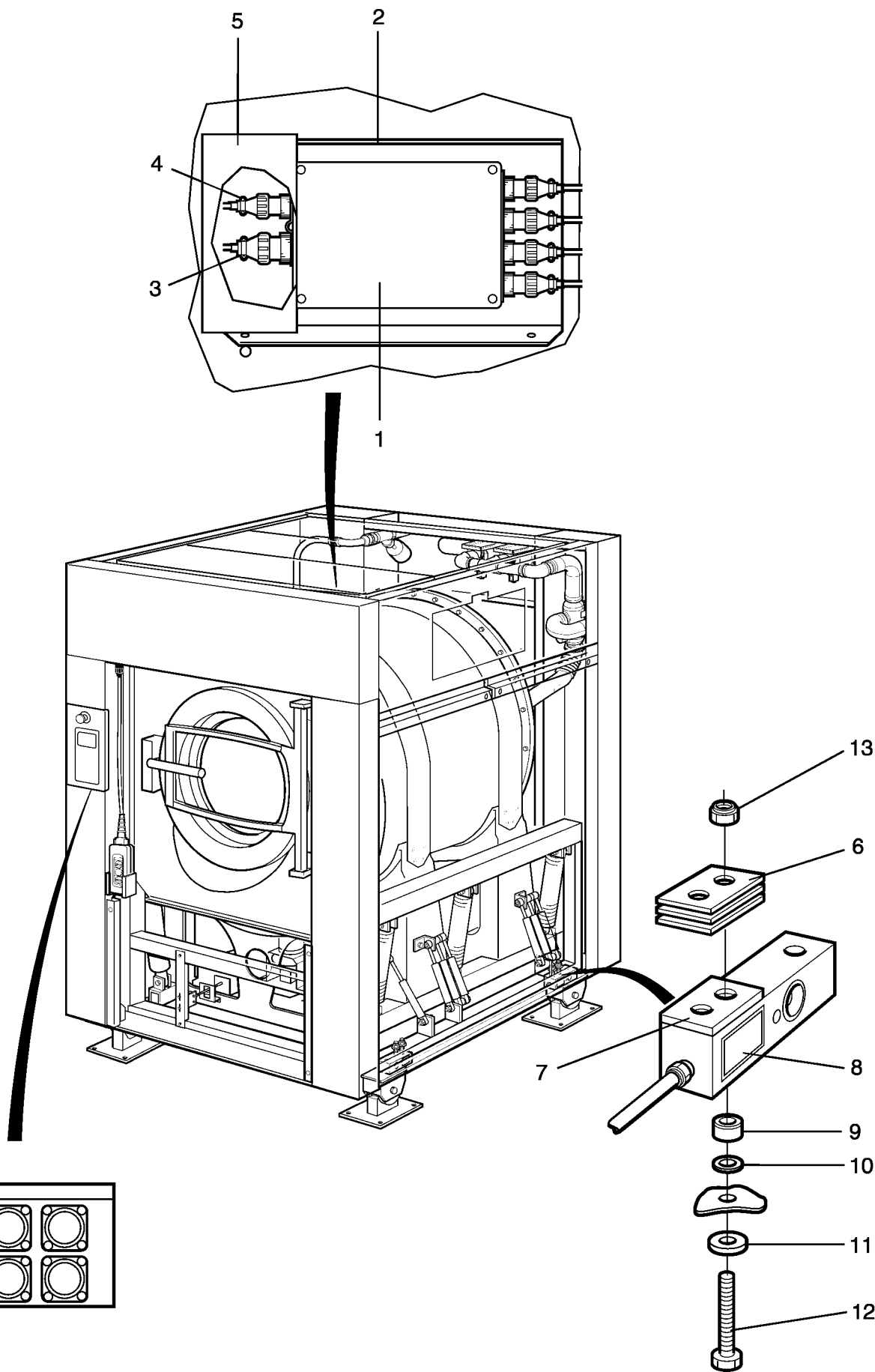
EX6102cl,EX6135cl,EX6200cl,EX6250cl

Tilt, forward and forward/backward

Basculement, avant et avant/arrière

Illustration Issue Month Year
Schéma Issue Month Year
102375/1 2 11 2008

Item Article	Quantity Quantité				Art.No Réf. article	Description	Description	Info Info	Notes Remarques
	EX6102cl								
	EX6135cl								
	EX6200cl								
	EX6250cl								
1	1	1	1	1	471 8271-03	Air bellows	Soufflets	1	COMPL.
2	1	1			471 8271-03	Air bellows	Soufflets	1	COMPL.
			1	1	471 8271-04	Air bellows	Soufflets	1	COMPL.
3	2	2	2	2	471 8690-22	Angle connector	Raccord d'angle	1	6/4
4	2				472 7286-03	Beam	Poutre	3	
		2			472 7286-02	Beam	Poutre	3	
			2	2	432 5098-01	Beam	Poutre	3	
5	1	1	1	1	471 8796-01	Control for tilting	Bouton-poussoir	1	3-button
6	1	1	1	1	432 0178-01	Bracket	Pièce de retenue	3	
7	Rq	Rq	Rq	Rq	438 8102-00	Hose	Flexible	1	6/4, Per 1m
	Rq	Rq	Rq	Rq	438 8143-90	Hose	Flexible	1	8/6, Per 1m
8	Rq	Rq	Rq	Rq	438 8143-90	Hose	Flexible	1	8/6, Per 1m
	Rq	Rq	Rq	Rq	438 8102-00	Hose	Flexible	1	6/4, Per 1m
9	2				432 0391-05	Tilt protection	Protection basculement	3	
		2			432 0391-02	Tilt protection	Protection basculement	3	
			3	3	432 0391-03	Tilt protection	Protection basculement	3	
			1	1	432 0391-04	Tilt limiter	Tilt limiter	3	
10	1	1	1	1	471 8283-01	Regulator	Régulateur	3	
11	3	3	3	3	471 8690-21	Angle connector	Raccord d'angle	3	8/6
12	2	2	2	2	741 4102-20	Bushing	Douille	3	
13	2	2	2	2	438 5802-02	Protection	Protection	3	With scale
	2	2	2	2	438 5802-01	Protection	Protection	3	Without scale
14	2	2	2	2	438 5801-01	Bracket	Pièce de retenue	3	
15	2	2	2	2	471 8288-01	Valve	Electrovanne	1,2	
16	4	4	4	4	432 0062-01	Pillar	Montant	3	
17	2				432 0060-02	Side cover	Protection latérale	3	
		2			432 5097-01	Side cover	Protection latérale	3	
				2	432 5097-10	Side cover	Protection latérale	3	
18	1	1	1	1	472 9209-01	Pin	Goupille	3	
19	3	3	3	3	432 0114-01	Plate	Plaque	3	
20	9	9	9	9	471 8641-01	Plug	Fiche	3	
21	1				432 0061-01	Front panel	Panneau avant	3	
		1			438 5905-01	Front panel	Panneau avant	3	
			1	1	432 5096-01	Front plate	Panneau avant	3	
22	4	4	4	4	472 9214-02	Plate	Plaque	3	
23	2	2	2	2	471 8196-01	Plug	Fiche	3	
24	6	6	6	6	432 0447-01	Plate	Cloison	3	
25	2	2	2	2	471 8690-21	Angle connector	Raccord d'angle	3	8/6



Issue	Month	Year
02	07	08

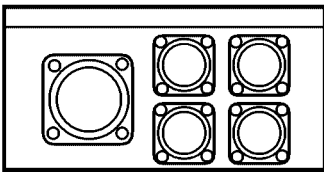
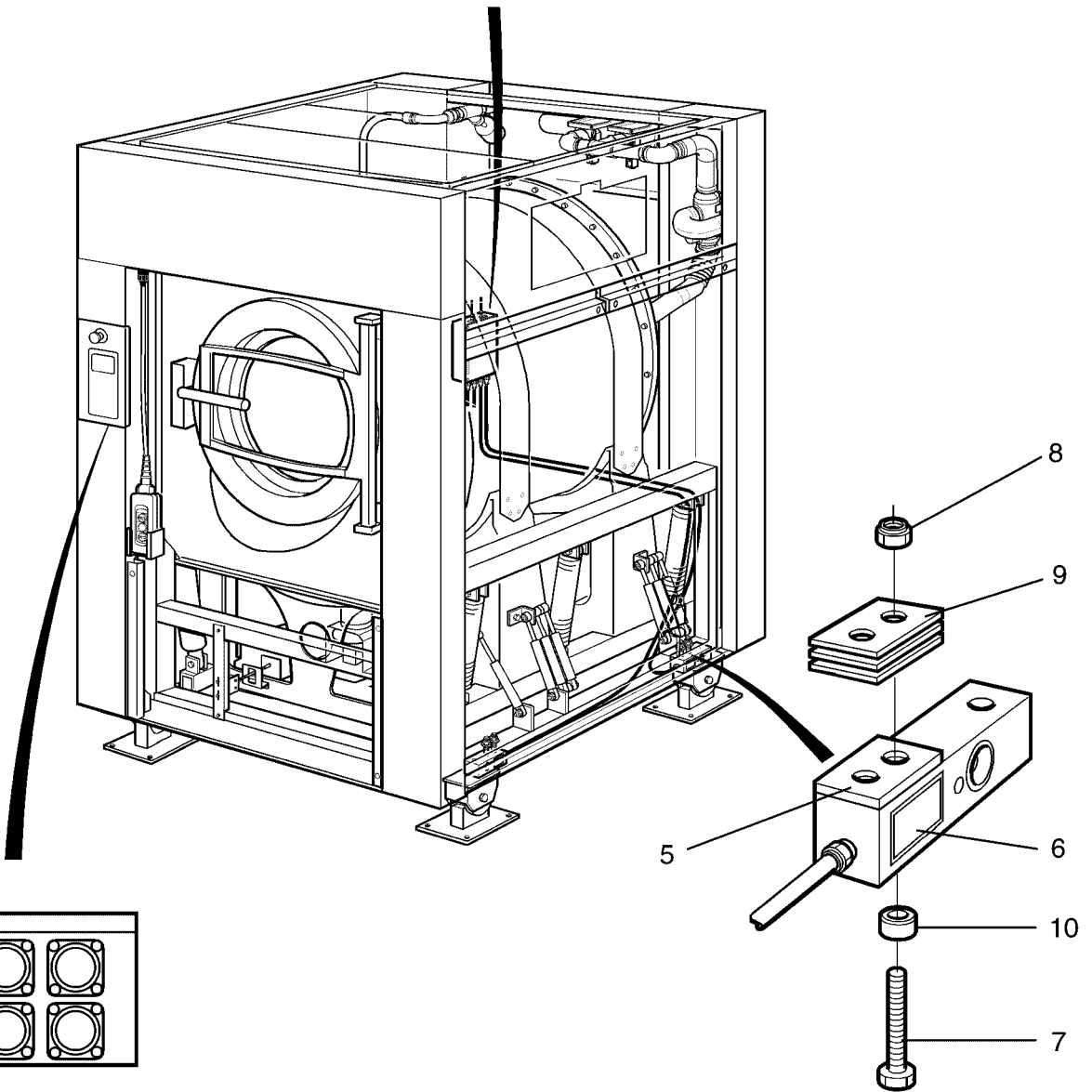
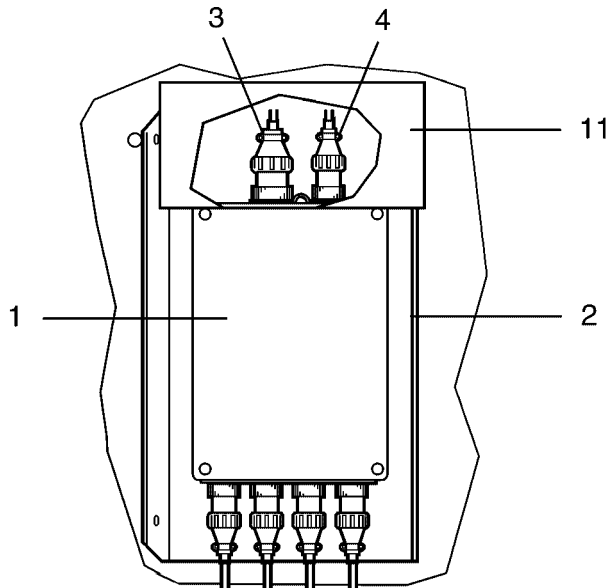
EX6102cl

Weighing device

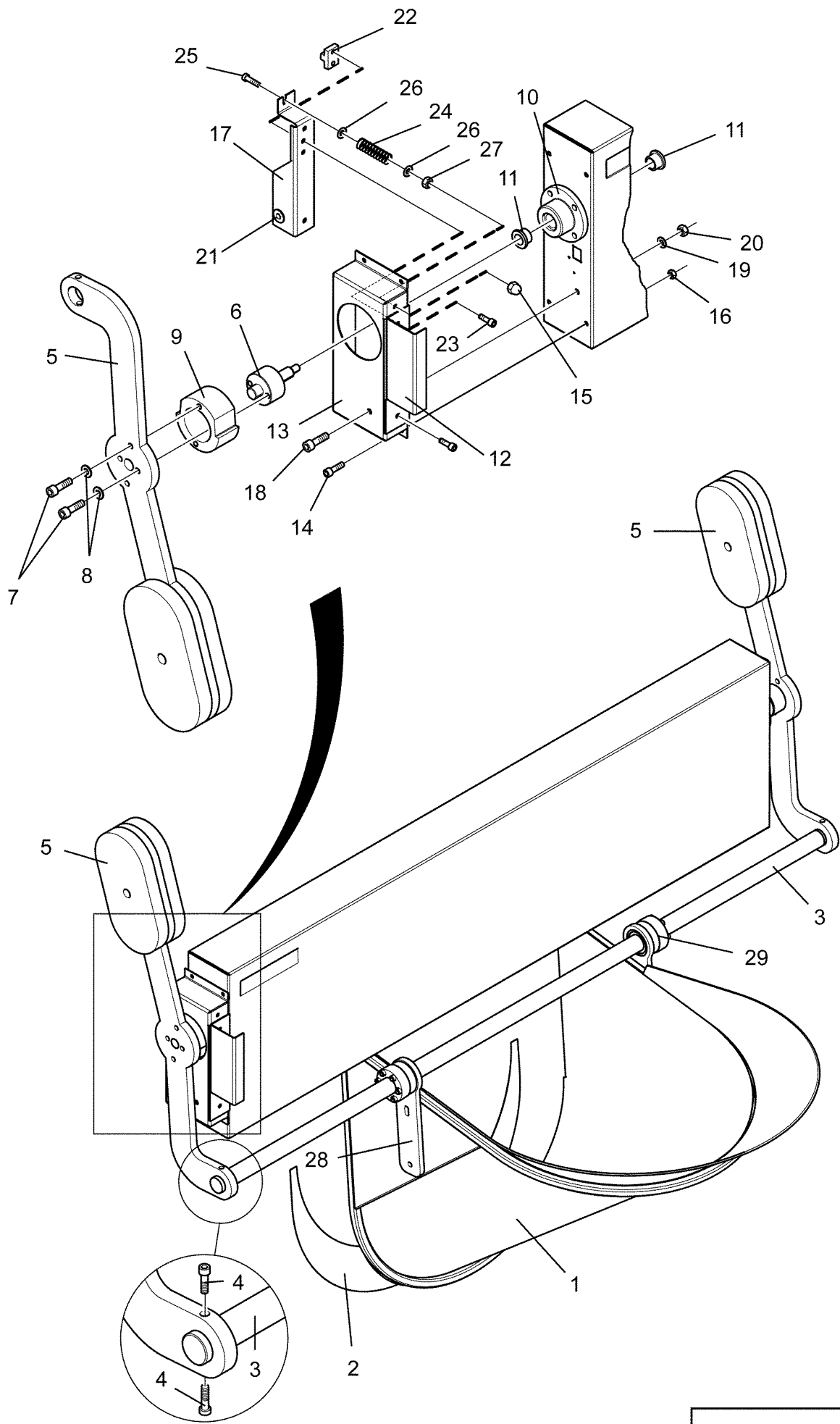
Unité de balance

Illustration Issue Month Year
Schéma Issue Month Year
102376/1 3 8 2010

Item Article	Qua. Qua.	Art.No Réf. article	Description	Description	Info Info	Notes Remarques
1	1	471 8822-40	Weighing device	Unité de balance	1	RS 232 interface -980/001101
	1	471 8822-41	Weighing device	Unité de balance	1	4-20mA interface -980/001101
	1	471 8830-02	Weighing device	Unité de balance	1	980/001102-
2	1	432 0383-02	Mounting plate	Plaque de montage	3	
3	1	471 8822-22	Cable	Câble	1	Signal -980/001101
	1	471 8830-32	Cable	Câble	1	RS232 Signal 980/001102-
	1	471 8830-33	Cable	Câble	1	4-20mA Signal 980/001102-
4	1	471 8822-24	Cable	Câble	1	Voltage -980/001101
	1	471 8830-22	Cable	Câble	1	Voltage 980/001102-
5						
6	12	432 0493-01	Washer	Rondelle	3	
7						Not used
8	4	471 8822-12	Load cell	Load cell	1	With cablage -980/001101
	4	471 8830-12	Load cell	Load cell	1	With cablage 980/001102-
9	4	471 8825-91	Spacer	Entretoise	3	
10	4	734 1178-01	Washer	Rondelle	3	BRB 13X24
11	4	471 9073-59	Washer	Rondelle	3	TBR SB 13X36 Not used
12	4	725 2540-51	Screw	Vis	3	M12X40
13	8	732 2122-01	Locking nut	Contre-écrou	3	M12



Issue	Month	Year
01	11	06



Issue	Month	Year
01	02	10

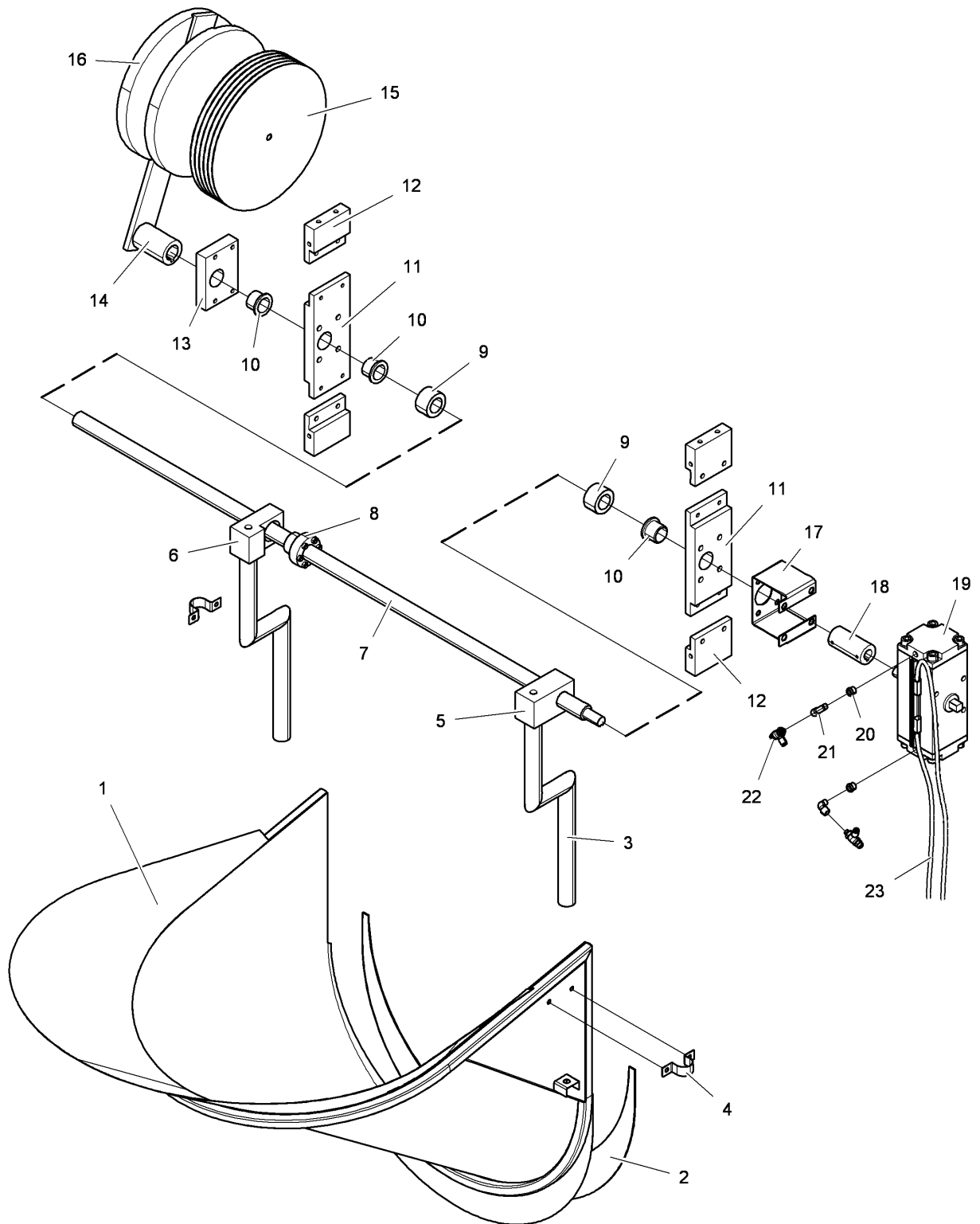
EX6102cl

Loading hopper

Dispositif

Illustration Issue Month Year
Schéma Issue Month Year
102671 1 2 2010

Item Article	Qua. Qua.	Art.No Réf. article	Description	Description	Info Info	Notes Remarques
1	1	438 5947-01	Loading hopper	Dispositif	3	
2	1	432 6466-02	Rubber buffer	Amortisseur caoutchouc	3	
3	1	438 5968-01	Shaft	Arbre	3	
4	4	725 5453-01	Screw	Vis	3	MC6S 8X25
5	2	432 0095-03	Arm	Bras	3	Light grey
6	2	432 0078-01	Shaft	Arbre	3	
7	6	725 2455-51	Screw	Vis	3	M8X30
8	6	734 1164-01	Washer	Rondelle	3	8,4X17
9	1	432 0086-01	Catch	Dispositif blocage	3	
10	2	432 0079-01	Bearing housing	Logement de palier	3	
11	4	471 9228-98	Bearing	Coussinet	3	
12	1	432 0077-03	Handle	Poignée	3	Light grey
13	1	432 0075-03	Cover	Couvercle	3	Light grey
14	4	471 8341-46	Screw	Vis	3	MRT6X16
15	1	732 3116-14	Nut	Écrou	3	M6
16	4	732 2116-01	Locking nut	Contre-écrou	3	M6
17	1	432 0076-03	Mounting plate	Plaque de montage	3	
18	1	725 2464-51	Screw	Vis	3	M8X65
19	1	734 1164-01	Washer	Rondelle	3	8,4X17
20	1	732 2118-01	Locking nut	Contre-écrou	3	M8
21	2	432 0037-01	Guide	Guide	3	
22	1	432 0080-01	Catch	Dispositif blocage	3	
23	2	471 8341-46	Screw	Vis	3	MRT6X16
24	1	471 7803-25	Pressure spring	Ressort de pression	3	
25	1	725 2379-51	Screw	Vis	3	M6S 6X45
26	3	734 1153-01	Washer	Rondelle	3	BRB 6,4X12
27	1	731 2316-01	Nut	Écrou	3	M6
28	2	438 5944-01	Arm	Bras	3	
29	2	471 8552-01	Clamping sleeve	Gaine de serrage	3	



50 01 32

Issue Month Year
01 12 09

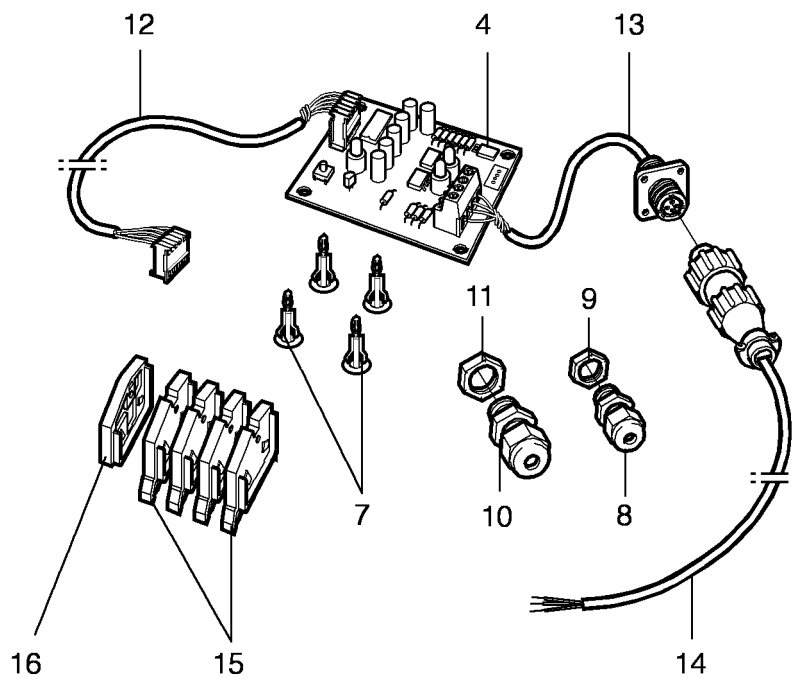
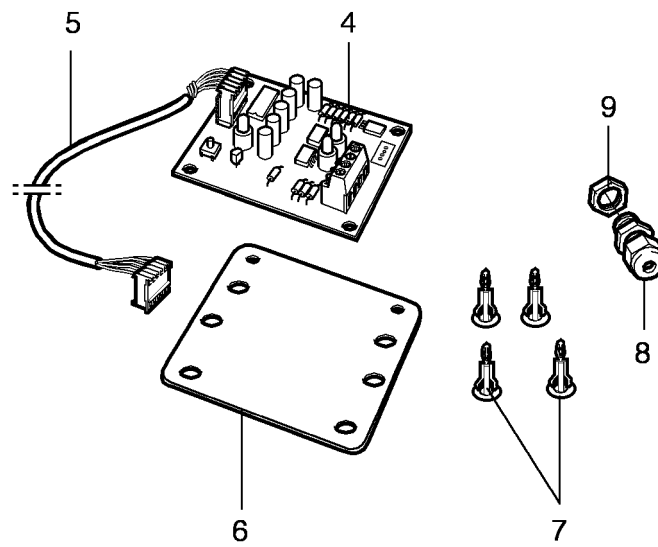
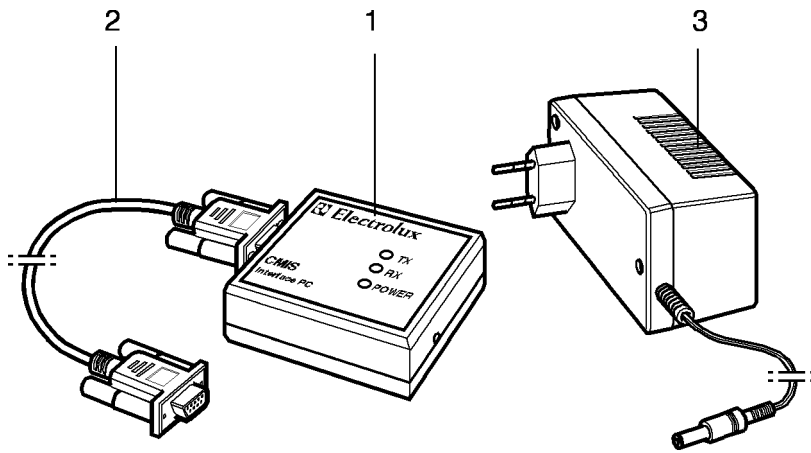
EX6200cl,EX6250cl

Loading hopper

Dispositif

Illustration Issue Month Year
Schéma Issue Month Year
500132 1 12 2009

Item Article	Qua. Qua.	Art.No Réf. article	Description	Description	Info Info	Notes Remarques
1	1	432 6459-01	Funnel	Cône	3	
2	1	432 6466-01	Rubber gasket/seal	Joint en caoutchouc	3	
3	2	432 6468-01	Arm	Bras	3	
4	2	432 6452-01	Cramp	Collier	3	
5	1	432 6448-02	Lifting arm base	Support de bras de levier	3	
6	1	432 6448-03	Lifting arm base	Support de bras de levier	3	
7	1	432 6435-02	Shaft	Arbre	3	
8	1	471 8552-01	Clamping sleeve	Gaine de serrage	1,2	
9	2	432 6442-01	Spacer sleeve	Manchon d'espacement	1,2	
10	3	471 8581-01	Bushing	Douille	1,2	
11	2	432 6437-02	Stand	Base	3	
12	4	432 6438-01	Stand	Base	3	
13	1	432 6436-01	Stand	Base	3	
14	1	432 6447-02	Arm	Bras	3	
15	6	432 6446-04	Counterweight	Contrepoids	3	
16	2	432 6446-05	Counterweight	Contrepoids	3	
17	1	438 5931-01	Bracket	Support de montage	3	
18	1	432 6440-01	Joint sleeve	Couvre-joint	3	
19	1	432 6465-01	Turning device	Dispositif	1	
20	2	741 4102-20	Bushing	Douille	1,2	
21	2	471 8690-95	Angle connector	Raccord d'angle	1,2	
22	2	471 8222-03	Reduction	Réduction	1,2	
23	1	438 7302-32	Cable set	Jeu de câbles	1,2	



Issue	Month	Year
01	10	02

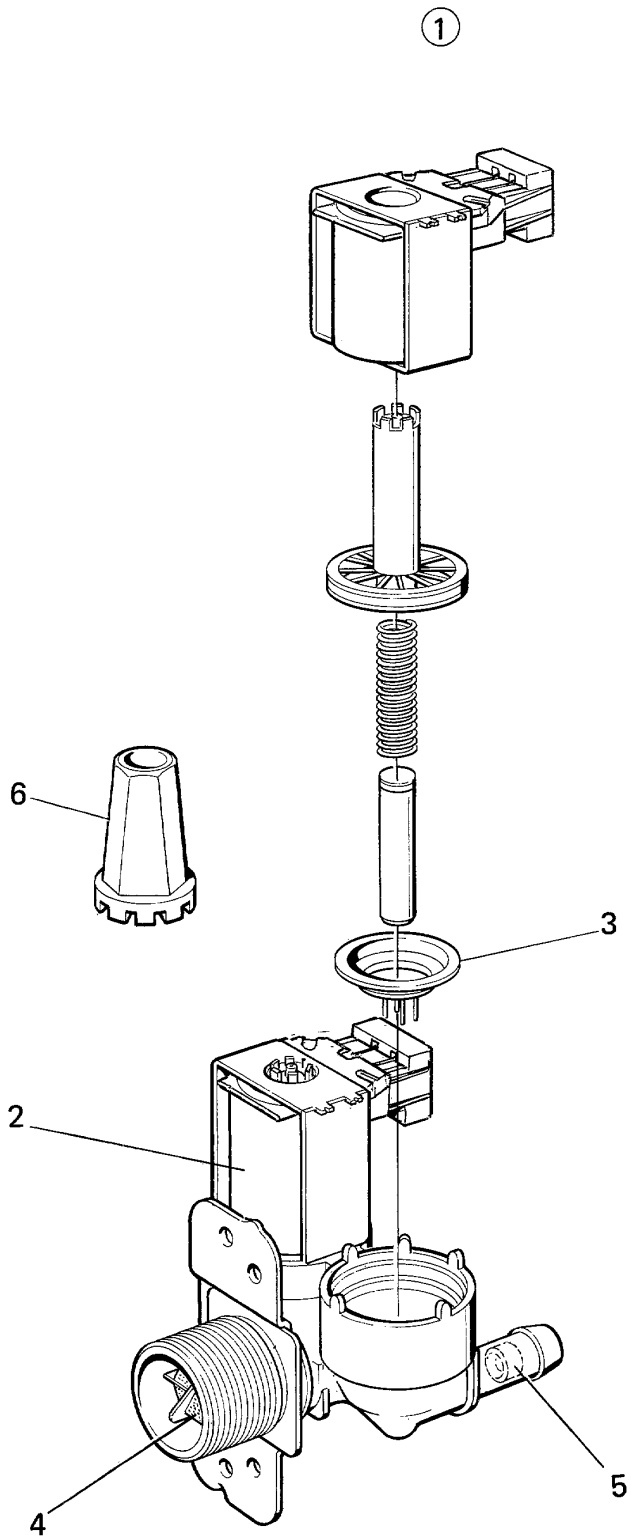
EX6102cl,EX6135cl,EX6200cl,EX6250cl

CMIS

Illustration Issue Month Year
Schéma Issue Month Year
102107/1 3 12 2010

CMIS

Item Article	Qua. Qua.	Art.No Réf. article	Description	Description	Info Info	Notes Remarques
1	1	438 8796-01	Interface PC	Interface PC	1	Complete
2	1	438 8793-01	Cable	Câble	3	Complete
3	1	471 9680-01	Battery eliminator	Battery eliminator	3	24V
4	1	438 8791-01	CMIS Interface	CMIS Interface	1	
5						Not used
6						Not used
7	4	471 7958-02	Support	Support	3	
8						Not used
9						Not used
10	1	487 0289-00	Screw fitting	Vis de raccord	3	M16
11	1	487 0289-08	Nut	Écrou	3	M16
12	1	432 2933-02	Cable set	Jeu de câbles	3	
13	1	438 7300-87	Cable set	Jeu de câbles	3	
14	1	438 7300-88	Cable set	Jeu de câbles	3	
15	4	438 8762-01	Block	Cale	3	
16	1	438 8762-11	Block	Cale	3	



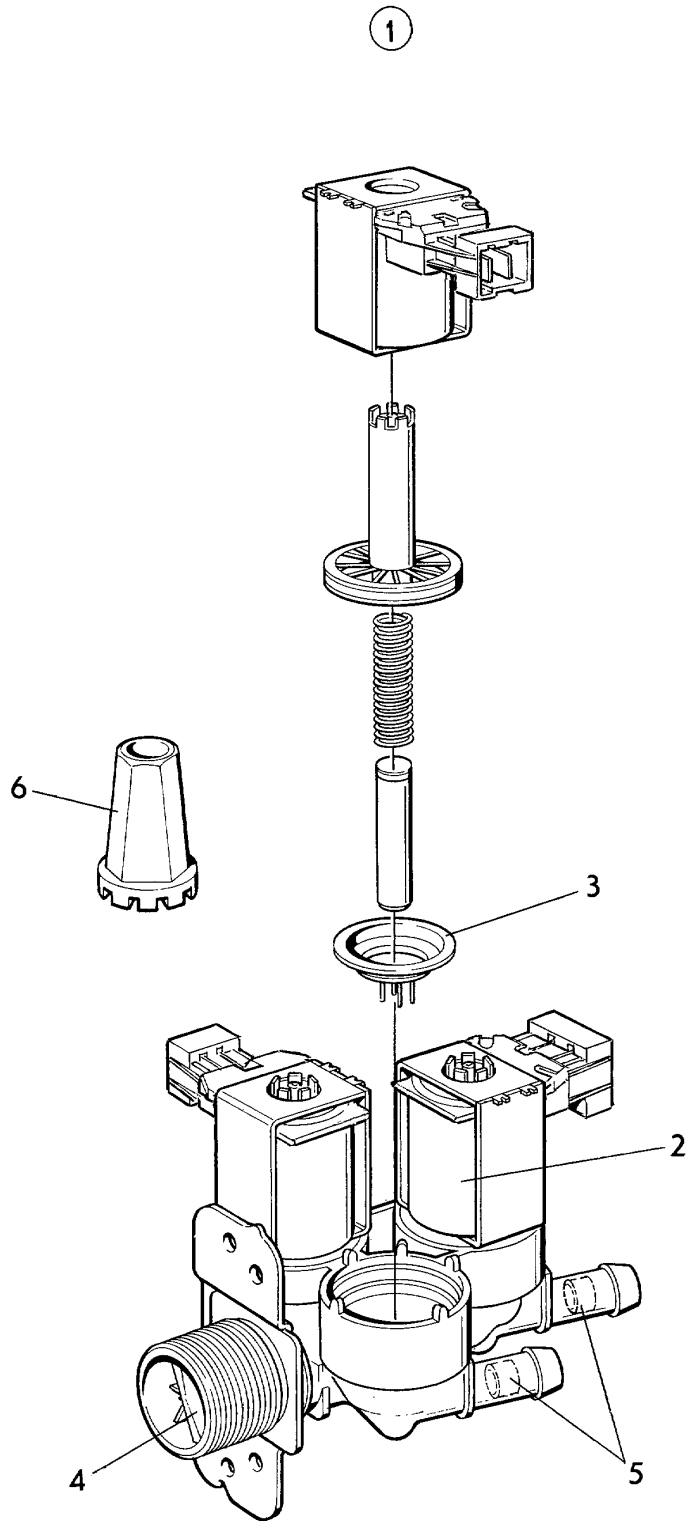
EX6102cl,EX6135cl,EX6200cl,EX6250cl

Inlet valve 3/4", 2-way

Soupape de admission 3/4", 2 voies

Illustration Issue Month Year
Schéma Issue Month Year
100798/1 6 10 2002

Item Article	Qua. Qua.	Art.No Réf. article	Description	Description	Info Info	Notes Remarques
1	1	471 8235-51	Valve	Electrovanne	1,2	2-way, 208-240V 50/60Hz, BSP
	1	471 8235-54	Valve	Electrovanne	1,2	2-way, 208-240V 60Hz, NH USA USA
	1	471 8235-57	Valve	Electrovanne	1,2	2-way, 120V 60Hz, NH USA USA
	1	471 8235-59	Valve	Electrovanne	1,2	2-way, 208-240V 50/60Hz, NH USA USA
	1	471 8235-58	Valve	Electrovanne	1,2	2-way, 208-240V 50/60Hz, BSP
	1	471 8235-60	Valve	Electrovanne	1,2	2-way, 208-240V 50/60Hz, BSP
2	1	471 8235-62	Valve	Electrovanne	1,2	2-way, 208-240V 50/60Hz, BSP
	1	471 6860-15	•Coil	•Bobine	1,2	120V Green
	1	471 6860-16	•Coil	•Bobine	1,2	120V Orange
	1	471 6860-17	•Coil	•Bobine	1,2	120V White
	1	471 6860-18	•Coil	•Bobine	1,2	208-240V Green
	1	471 6860-19	•Coil	•Bobine	1,2	208-240V Orange
3	1	471 6860-20	•Coil	•Bobine	1,2	208-240V White
	1	471 8234-98	•Diaphragm	•Diaphragme	1,2	NITRIL
	1	471 8234-92	•Diaphragm	•Diaphragme	1,2	EPDM
4	1	471 8234-94	•Filter	•Filtre	1	
5	1	471 8234-95	•Restrictor	•Réducteur de débit	3	2,5l/min
	1	471 8234-96	•Restrictor	•Réducteur de débit	3	5,5l/min
6	1	471 4792-01	Tool	Outil	3	



EX6102cl,EX6135cl,EX6200cl,EX6250cl

Inlet valve 3/4", 3-way

Soupape de admission 3/4", 3 voies

Illustration Issue Month Year
Schéma Issue Month Year
100797/1 7 10 2002

Item Article	Qua. Qua.	Art.No Réf. article	Description	Description	Info Info	Notes Remarques
1	1	471 8236-52	Valve	Electrovanne	1,2	3-way, 208-240V 50/60Hz, BSP Restriction 5,5/-/1/min
	1	471 8236-56	Valve	Electrovanne	1,2	3-way, 208-240V 50/60Hz, BSP
	1	471 8236-60	Valve	Electrovanne	1,2	3-way, 208-240V 50/60Hz, BSP Restriction 5,5/10/10 l/min
	1	471 8236-62	Valve	Electrovanne	1,2	3-way, 208-240V 50/60Hz, BSP Restriction 5,5/8/8 l/min
	1	471 8236-64	Valve	Electrovanne	1,2	3-way, 208-240V 50/60Hz, BSP Restriction -/5,5 l/min
	1	471 8236-57	Valve	Electrovanne	1,2	3-way, 208-240V 50/60Hz, BSP
	1	471 8236-68	Valve	Electrovanne	1,2	3-way, 208-240V 50/60Hz, BSP IN 20L/MIN,OUT 2,5L/MIN
	1	471 8236-66	Valve	Electrovanne	1,2	3-way, 120V 60Hz, NH USA
	1	471 8236-65	Valve	Electrovanne	1,2	3-way, 208-240V 50/60Hz, NH USA
2	1	471 6860-15	•Coil	•Bobine	1,2	120V Green
	1	471 6860-16	•Coil	•Bobine	1,2	120V Orange
	1	471 6860-17	•Coil	•Bobine	1,2	120V White
	1	471 6860-18	•Coil	•Bobine	1,2	208-240V Green
	1	471 6860-19	•Coil	•Bobine	1,2	208-240V Orange
	1	471 6860-20	•Coil	•Bobine	1,2	208-240V White
3	1	471 8234-98	•Diaphragm	•Diaphragme	1,2	NITRIL
	1	471 8234-92	•Diaphragm	•Diaphragme	1,2	EPDM USA
4	1	471 8234-94	•Filter	•Filtre	1	
5	1	471 8234-95	•Restrictor	•Réducteur de débit	3	2,5l/min
	1	471 8234-96	•Restrictor	•Réducteur de débit	3	5,5l/min
6	1	471 4792-01	Tool	Outil	3	

Numerical index/Numerical index

Art.No/Réf. article	Page/Page	Art.No/Réf. article	Page/Page	Art.No/Réf. article	Page/Page	Art.No/Réf. article	Page/Page
413 2910-01	65	432 0142-01	37	432 0323-02	13	432 0447-01	163
413 2910-01	67	432 0142-01	45	432 0323-03	13	432 0447-01	165
413 2910-01	73	432 0142-01	49	432 0323-11	13	432 0464-01	137
413 2910-02	65	432 0142-01	57	432 0323-12	13	432 0464-02	139
413 2910-02	67	432 0142-01	61	432 0324-01	23	432 0465-03	137
413 2910-02	73	432 0143-01	81	432 0324-10	25	432 0465-03	139
413 2910-03	69	432 0143-01	89	432 0334-01	23	432 0473-01	137
413 2910-03	75	432 0146-01	81	432 0334-02	23	432 0473-01	139
413 2910-04	69	432 0146-01	89	432 0334-10	25	432 0476-01	133
413 2910-04	75	432 0149-01	85	432 0334-11	25	432 0477-01	133
428 7183-55	69	432 0149-01	87	432 0335-01	23	432 0484-03	155
428 7183-55	83	432 0149-01	93	432 0335-01	25	432 0484-04	157
432 0008-01	19	432 0149-01	95	432 0339-01	103	432 0484-05	157
432 0008-01	21	432 0150-01	83	432 0344-01	23	432 0493-01	23
432 0008-01	23	432 0150-01	87	432 0344-10	25	432 0493-01	25
432 0008-01	25	432 0150-01	93	432 0350-01	23	432 0493-01	167
432 0008-03	19	432 0150-01	95	432 0350-01	25	432 0493-01	169
432 0008-03	21	432 0158-01	107	432 0357-01	115	432 2163-16	11
432 0008-03	23	432 0159-01	107	432 0365-01	103	432 2163-17	9
432 0021-02	19	432 0161-01	107	432 0365-02	103	432 2163-17	11
432 0021-02	21	432 0164-01	107	432 0366-01	11	432 2163-18	15
432 0021-02	23	432 0166-01	107	432 0366-01	13	432 2163-19	9
432 0021-02	25	432 0170-02	107	432 0367-01	45	432 2163-19	13
432 0030-01	27	432 0170-03	107	432 0367-01	57	432 2163-20	13
432 0030-01	29	432 0173-01	81	432 0368-01	103	432 2510-02	151
432 0031-01	27	432 0173-01	89	432 0369-01	149	432 2510-02	153
432 0031-01	29	432 0175-01	45	432 0369-02	149	432 2511-01	113
432 0032-01	151	432 0175-01	57	432 0370-01	107	432 2511-01	115
432 0032-01	153	432 0178-01	163	432 0374-01	23	432 2511-01	117
432 0032-02	151	432 0178-01	165	432 0374-01	25	432 2516-02	113
432 0032-03	151	432 0302-01	31	432 0374-02	19	432 2516-03	115
432 0037-01	171	432 0302-10	31	432 0374-02	21	432 2516-03	117
432 0047-01	151	432 0304-01	101	432 0375-01	103	432 2516-03	153
432 0047-01	153	432 0305-02	31	432 0378-01	103	432 2516-05	153
432 0047-01	155	432 0305-11	31	432 0378-10	103	432 2517-01	151
432 0047-01	157	432 0306-01	31	432 0379-02	11	432 2517-02	153
432 0054-01	133	432 0306-10	31	432 0379-02	13	432 2616-10	11
432 0054-02	133	432 0306-23	31	432 0380-01	15	432 2616-11	11
432 0060-02	163	432 0306-32	31	432 0380-02	15	432 2616-12	13
432 0060-02	165	432 0307-01	31	432 0381-01	107	432 2616-13	13
432 0061-01	163	432 0307-11	31	432 0383-01	169	432 2616-22	13
432 0061-01	165	432 0308-01	103	432 0383-02	167	432 2616-23	13
432 0062-01	163	432 0308-02	105	432 0383-02	169	432 2933-02	175
432 0062-01	165	432 0309-02	147	432 0391-02	163	432 3905-01	97
432 0075-03	171	432 0309-03	145	432 0391-02	165	432 3905-01	99
432 0076-03	171	432 0313-01	103	432 0391-03	163	432 3905-01	101
432 0077-03	171	432 0313-02	103	432 0391-03	165	432 5012-01	31
432 0078-01	171	432 0313-03	105	432 0391-04	165	432 5013-01	35
432 0079-01	171	432 0314-02	153	432 0391-05	163	432 5015-01	31
432 0080-01	171	432 0315-01	31	432 0391-05	165	432 5017-01	31
432 0081-01	27	432 0318-01	23	432 0392-01	127	432 5017-03	31
432 0083-02	27	432 0318-01	25	432 0392-02	127	432 5018-01	35
432 0085-01	97	432 0319-01	107	432 0392-03	127	432 5022-01	35
432 0086-01	171	432 0319-02	107	432 0392-10	127	432 5025-02	35
432 0095-03	171	432 0321-02	13	432 0393-01	23	432 5028-01	35
432 0113-01	103	432 0321-03	13	432 0393-01	25	432 5034-01	23
432 0113-03	103	432 0321-11	13	432 0394-01	23	432 5034-01	25
432 0113-03	105	432 0321-12	13	432 0394-01	25	432 5036-01	23
432 0114-01	163	432 0322-02	13	432 0397-01	23	432 5036-01	25
432 0114-01	165	432 0322-04	13	432 0397-01	25	432 5039-01	23
432 0117-02	9	432 0322-05	13	432 0397-02	19	432 5039-01	25
432 0117-02	13	432 0322-06	13	432 0397-02	21	432 5049-01	103
432 0137-01	45	432 0322-11	13	432 0399-01	169	432 5049-01	105
432 0137-01	57	432 0322-13	13	432 0437-02	141	432 5051-01	103
432 0138-01	45	432 0322-14	13	432 0443-01	11	432 5051-01	105
432 0138-01	57	432 0322-15	13	432 0443-01	13	432 5055-03	103

Numerical index/Numerical index

Art.No/Réf. article	Page/Page	Art.No/Réf. article	Page/Page	Art.No/Réf. article	Page/Page	Art.No/Réf. article	Page/Page
432 5055-04	103	432 5188-01	113	438 4951-03	123	438 5864-12	9
432 5055-12	103	432 5188-01	117	438 4951-04	123	438 5865-01	11
432 5055-13	103	432 5807-01	99	438 4961-01	123	438 5865-10	11
432 5062-03	103	432 6400-02	109	438 4961-01	155	438 5866-02	11
432 5067-02	13	432 6403-02	109	438 4961-01	157	438 5866-03	11
432 5067-04	13	432 6404-02	109	438 4969-01	33	438 5868-01	45
432 5067-07	13	432 6406-02	109	438 4970-03	27	438 5868-02	11
432 5067-08	13	432 6415-02	105	438 4971-01	33	438 5868-03	11
432 5067-09	17	432 6417-01	105	438 4972-01	151	438 5868-03	37
432 5072-02	13	432 6418-02	111	438 4972-01	153	438 5868-03	49
432 5080-05	13	432 6420-02	111	438 4975-02	33	438 5870-02	9
432 5086-02	13	432 6424-02	111	438 4977-03	27	438 5870-03	9
432 5087-03	13	432 6425-02	111	438 4982-01	151	438 5870-04	9
432 5088-02	13	432 6426-01	111	438 4982-02	123	438 5870-11	9
432 5089-01	115	432 6427-02	111	438 4982-03	123	438 5870-12	9
432 5089-02	115	432 6432-02	111	438 4982-04	123	438 5871-02	9
432 5089-02	161	432 6434-01	17	438 4994-01	27	438 5871-04	9
432 5090-02	57	432 6435-02	173	438 4995-02	33	438 5871-05	9
432 5090-03	13	432 6436-01	173	438 4998-03	27	438 5871-07	9
432 5090-03	61	432 6437-02	173	438 4999-03	33	438 5871-08	9
432 5094-01	57	432 6438-01	173	438 5016-01	113	438 5872-02	11
432 5094-02	13	432 6440-01	173	438 5016-01	115	438 5872-03	11
432 5094-03	57	432 6442-01	173	438 5016-01	117	438 5872-11	11
432 5094-04	13	432 6446-04	173	438 5040-01	161	438 5873-02	11
432 5094-04	61	432 6446-05	173	438 5040-02	161	438 5873-03	11
432 5094-04	63	432 6447-02	173	438 5800-02	147	438 5873-11	11
432 5096-01	163	432 6448-02	173	438 5800-03	145	438 5874-02	11
432 5096-01	165	432 6448-03	173	438 5801-01	165	438 5874-03	9
432 5097-01	163	432 6452-01	173	438 5802-01	165	438 5874-11	9
432 5097-01	165	432 6459-01	173	438 5802-02	165	438 5875-02	9
432 5097-10	163	432 6463-03	17	438 5803-01	127	438 5875-10	9
432 5097-10	165	432 6465-01	173	438 5805-01	29	438 5876-01	101
432 5098-01	163	432 6466-01	173	438 5806-01	29	438 5878-01	45
432 5098-01	165	432 6466-02	171	438 5813-01	35	438 5878-02	11
432 5100-02	13	432 6467-01	17	438 5817-01	29	438 5878-03	11
432 5100-06	11	432 6467-02	17	438 5818-01	35	438 5878-03	37
432 5100-06	37	432 6468-01	173	438 5822-01	35	438 5878-03	41
432 5100-06	41	432 6471-02	17	438 5825-01	35	438 5878-03	49
432 5100-06	49	432 6472-01	17	438 5827-01	29	438 5878-03	53
432 5100-06	53	438 0083-01	153	438 5830-01	21	438 5879-01	21
432 5112-02	29	438 0127-01	115	438 5836-01	21	438 5879-10	19
432 5142-01	19	438 0145-14	117	438 5836-02	19	438 5880-01	21
432 5142-01	21	438 0299-01	37	438 5836-02	97	438 5880-02	21
432 5144-01	21	438 0299-01	41	438 5837-02	99	438 5880-10	19
432 5144-02	19	438 0299-01	45	438 5838-01	151	438 5880-11	19
432 5152-01	113	438 0299-01	49	438 5838-02	151	438 5881-01	113
432 5152-01	115	438 0299-01	53	438 5840-01	21	438 5881-01	117
432 5152-01	117	438 0299-01	57	438 5848-01	21	438 5881-02	113
432 5172-01	113	438 0299-01	61	438 5848-02	19	438 5881-02	117
432 5172-01	117	438 0299-01	63	438 5850-02	103	438 5881-03	113
432 5172-01	119	438 3082-70	47	438 5858-10	9	438 5881-04	113
432 5172-02	115	438 3082-70	59	438 5859-10	9	438 5882-01	11
432 5177-01	113	438 4541-01	137	438 5861-02	9	438 5882-02	11
432 5177-01	117	438 4542-01	33	438 5861-03	9	438 5882-03	11
432 5177-01	119	438 4543-01	35	438 5861-04	9	438 5883-01	9
432 5177-02	113	438 4576-01	35	438 5862-01	11	438 5891-01	19
432 5177-02	117	438 4832-01	103	438 5863-02	9	438 5891-01	21
432 5177-02	159	438 4912-03	11	438 5863-04	9	438 5893-01	29
432 5177-03	113	438 4912-06	11	438 5863-05	9	438 5895-01	21
432 5177-04	113	438 4921-01	123	438 5863-06	9	438 5895-02	21
432 5177-04	115	438 4921-01	155	438 5863-07	9	438 5895-03	19
432 5177-04	117	438 4921-01	157	438 5863-08	9	438 5895-04	19
432 5177-05	115	438 4924-01	123	438 5864-02	9	438 5896-01	151
432 5177-05	117	438 4924-01	155	438 5864-03	9	438 5898-01	29
432 5177-06	115	438 4924-01	157	438 5864-04	9	438 5903-01	127
432 5177-06	117	438 4951-02	123	438 5864-11	9	438 5903-02	127

Numerical index/Numerical index

Art.No/Réf. article	Page/Page	Art.No/Réf. article	Page/Page	Art.No/Réf. article	Page/Page	Art.No/Réf. article	Page/Page
438 5904-02	9	438 6212-01	95	438 7183-51	71	438 7185-27	69
438 5904-03	9	438 6213-01	13	438 7183-51	83	438 7185-27	81
438 5904-11	9	438 6214-01	9	438 7183-53	71	438 7185-28	69
438 5904-12	9	438 6215-01	11	438 7183-53	83	438 7185-28	81
438 5904-13	9	438 6215-02	13	438 7183-56	71	438 7185-29	69
438 5905-01	163	438 6217-01	41	438 7183-56	83	438 7185-29	81
438 5905-01	165	438 6217-01	53	438 7183-57	69	438 7185-30	69
438 5908-01	155	438 6217-01	63	438 7183-57	83	438 7185-30	81
438 5912-01	159	438 6218-01	41	438 7183-60	69	438 7197-01	75
438 5916-01	125	438 6218-01	53	438 7183-60	81	438 7197-01	89
438 5919-01	113	438 6218-01	63	438 7183-61	71	438 7197-02	75
438 5922-01	141	438 6219-01	41	438 7183-61	83	438 7197-02	89
438 5926-01	109	438 6219-01	53	438 7183-62	71	438 7197-03	75
438 5926-02	109	438 6219-01	63	438 7183-62	83	438 7197-03	89
438 5927-01	109	438 6223-01	63	438 7183-63	71	438 7197-04	75
438 5931-01	173	438 6224-01	41	438 7183-63	83	438 7197-04	89
438 5936-01	19	438 6224-01	53	438 7183-65	71	438 7197-05	75
438 5937-01	19	438 6225-01	87	438 7183-65	83	438 7197-05	89
438 5937-02	19	438 6225-01	95	438 7183-66	71	438 7197-06	75
438 5938-01	27	438 6240-01*	11	438 7183-66	83	438 7197-06	89
438 5939-01	27	438 6240-01*	15	438 7185-01	69	438 7197-07	75
438 5940-02	9	438 6241-01*	97	438 7185-01	81	438 7197-07	89
438 5940-04	9	438 6242-01*	97	438 7185-02	69	438 7197-08	75
438 5940-05	9	438 6244-01*	43	438 7185-02	81	438 7197-08	91
438 5940-06	9	438 6244-01*	55	438 7185-03	69	438 7197-09	75
438 5941-02	9	438 6244-01*	63	438 7185-03	81	438 7197-09	91
438 5942-02	9	438 7183-31	69	438 7185-04	69	438 7197-10	75
438 5942-04	9	438 7183-31	83	438 7185-04	81	438 7197-10	91
438 5942-05	9	438 7183-32	69	438 7185-05	69	438 7197-11	77
438 5942-06	9	438 7183-32	83	438 7185-05	81	438 7197-11	91
438 5943-01	11	438 7183-33	69	438 7185-06	69	438 7197-12	77
438 5943-02	11	438 7183-33	83	438 7185-06	81	438 7197-12	91
438 5943-03	15	438 7183-34	69	438 7185-07	69	438 7197-13	77
438 5944-01	171	438 7183-34	83	438 7185-07	81	438 7197-13	91
438 5947-01	171	438 7183-35	71	438 7185-08	69	438 7197-14	77
438 5955-01	13	438 7183-35	83	438 7185-08	81	438 7197-14	91
438 5955-01	17	438 7183-36	71	438 7185-09	69	438 7197-15	77
438 5956-01	13	438 7183-36	83	438 7185-09	81	438 7197-15	91
438 5956-02	17	438 7183-37	71	438 7185-10	69	438 7197-16	77
438 5957-01	13	438 7183-37	83	438 7185-10	81	438 7197-16	91
438 5957-02	17	438 7183-38	71	438 7185-11	69	438 7197-17	77
438 5958-01	119	438 7183-38	83	438 7185-11	81	438 7197-17	91
438 5960-02	11	438 7183-39	71	438 7185-12	69	438 7197-18	77
438 5961-02	11	438 7183-39	83	438 7185-12	81	438 7197-18	91
438 5962-01	31	438 7183-40	71	438 7185-13	69	438 7197-19	77
438 5962-02	31	438 7183-40	83	438 7185-13	81	438 7197-19	91
438 5968-01	171	438 7183-41	71	438 7185-14	69	438 7197-20	77
438 5978-05	13	438 7183-41	83	438 7185-14	81	438 7197-20	91
438 5978-06	13	438 7183-42	71	438 7185-15	69	438 7197-21	77
438 5978-15	13	438 7183-42	83	438 7185-15	81	438 7197-21	91
438 5978-16	13	438 7183-43	71	438 7185-17	69	438 7197-22	77
438 5979-01	135	438 7183-43	83	438 7185-17	81	438 7197-22	91
438 5990-01	135	438 7183-44	71	438 7185-18	69	438 7197-23	77
438 5997-01	15	438 7183-44	83	438 7185-18	81	438 7197-23	91
438 5997-10	15	438 7183-45	71	438 7185-19	69	438 7197-24	77
438 5999-01	103	438 7183-45	83	438 7185-19	81	438 7197-24	91
438 6203-01	103	438 7183-46	71	438 7185-20	69	438 7197-25	77
438 6206-01	13	438 7183-46	83	438 7185-20	81	438 7197-25	91
438 6207-01	151	438 7183-47	71	438 7185-21	69	438 7197-26	77
438 6207-01	153	438 7183-47	83	438 7185-21	81	438 7197-26	91
438 6208-01	13	438 7183-48	71	438 7185-22	69	438 7197-28	77
438 6210-01	19	438 7183-48	83	438 7185-22	81	438 7197-28	93
438 6210-01	21	438 7183-49	71	438 7185-23	69	438 7197-29	77
438 6210-01	23	438 7183-49	83	438 7185-23	81	438 7197-29	93
438 6210-01	25	438 7183-50	71	438 7185-24	69	438 7197-30	79
438 6212-01	87	438 7183-50	83	438 7185-24	81	438 7197-30	93

Numerical index/Numerical index

Art.No/Réf. article	Page/Page	Art.No/Réf. article	Page/Page	Art.No/Réf. article	Page/Page	Art.No/Réf. article	Page/Page
438 7197-31	79	438 7300-42	29	438 7302-63	41	438 8779-01	57
438 7197-31	93	438 7300-42	31	438 7302-63	51	438 8779-01	65
438 7197-32	75	438 7300-42	85	438 7302-63	55	438 8779-01	67
438 7197-32	89	438 7300-42	93	438 7302-64	37	438 8779-01	69
438 7197-33	75	438 7300-43	107	438 7302-64	41	438 8779-01	73
438 7197-33	89	438 7300-43	109	438 7302-64	51	438 8779-01	75
438 7197-34	75	438 7300-48	103	438 7302-64	55	438 8780-01	47
438 7197-34	89	438 7300-56	93	438 7302-64	61	438 8780-01	59
438 7197-35	79	438 7300-58	113	438 7302-64	63	438 8780-02	37
438 7197-35	93	438 7300-58	117	438 7302-65	37	438 8780-02	41
438 7197-36	77	438 7300-66	47	438 7302-65	41	438 8780-02	49
438 7197-36	93	438 7300-66	59	438 7302-66	19	438 8780-02	53
438 7197-37	77	438 7300-71	137	438 7302-66	21	438 8780-02	61
438 7197-37	91	438 7300-71	139	438 7302-73	23	438 8780-02	63
438 7197-39	77	438 7300-75	117	438 7302-73	25	438 8791-01	175
438 7197-39	91	438 7300-87	175	438 7302-74	37	438 8793-01	175
438 7197-40	75	438 7300-88	175	438 7302-74	41	438 8796-01	175
438 7197-40	91	438 7302-01	47	438 7302-74	49	438 9502-01	57
438 7197-41	77	438 7302-01	59	438 7302-74	53	438 9502-01	61
438 7197-41	91	438 7302-03	47	438 7302-76	37	438 9502-01	63
438 7197-42	79	438 7302-03	59	438 7302-76	41	438 9502-02	45
438 7197-42	93	438 7302-04	125	438 7302-76	49	438 9502-02	49
438 7197-44	77	438 7302-05	125	438 7302-76	53	438 9502-02	53
438 7197-44	91	438 7302-07	101	438 7302-77	51	438 9502-04	37
438 7197-46	77	438 7302-08	113	438 7302-77	55	438 9502-04	41
438 7197-46	91	438 7302-08	115	438 7302-78	51	438 9506-01	37
438 7197-48	77	438 7302-08	117	438 7302-78	55	438 9506-01	41
438 7197-48	91	438 7302-09	135	438 7302-83	27	438 9506-03	51
438 7197-50	75	438 7302-19	59	438 7302-83	29	438 9506-03	55
438 7197-50	89	438 7302-19	61	438 7302-83	31	438 9506-04	59
438 7197-55	77	438 7302-19	63	438 8102-00	141	438 9506-04	61
438 7197-55	93	438 7302-19	101	438 8102-00	163	438 9506-04	63
438 7197-56	77	438 7302-21	103	438 8102-00	165	438 9549-01	21
438 7197-56	91	438 7302-31	109	438 8102-02	37	438 9551-01	23
438 7197-57	75	438 7302-32	173	438 8102-02	41	438 9551-01	25
438 7197-57	89	438 7302-33	59	438 8102-02	47	438 9552-01	23
438 7197-58	75	438 7302-34	59	438 8102-02	49	438 9552-01	25
438 7197-58	89	438 7302-34	61	438 8102-02	53	438 9553-01	19
438 7197-60	77	438 7302-34	63	438 8102-02	59	438 9553-01	21
438 7197-60	91	438 7302-35	59	438 8102-02	61	438 9555-01	37
438 7197-62	75	438 7302-38	47	438 8102-02	63	438 9555-01	41
438 7197-62	89	438 7302-38	49	438 8102-02	151	438 9555-01	45
438 7197-63	75	438 7302-38	53	438 8102-06	105	438 9555-01	51
438 7197-63	89	438 7302-38	99	438 8120-03	83	438 9555-01	55
438 7197-64	75	438 7302-39	113	438 8120-03	93	438 9555-01	57
438 7197-64	89	438 7302-41	99	438 8143-90	165	438 9555-01	61
438 7197-65	75	438 7302-42	45	438 8152-01	45	438 9555-01	63
438 7197-65	89	438 7302-43	47	438 8152-01	57	438 9570-01	37
438 7197-66	75	438 7302-43	49	438 8152-01	83	438 9570-01	41
438 7197-66	89	438 7302-43	53	438 8152-01	93	438 9570-01	49
438 7197-67	75	438 7302-44	47	438 8152-02	45	438 9570-01	53
438 7197-67	89	438 7302-45	47	438 8152-02	57	438 9570-01	61
438 7197-68	75	438 7302-47	45	438 8152-03	45	438 9570-01	63
438 7197-68	89	438 7302-48	39	438 8152-03	57	438 9571-01	19
438 7197-69	75	438 7302-48	43	438 8152-03	83	438 9601-10	37
438 7197-69	89	438 7302-48	51	438 8152-03	93	438 9601-10	41
438 7197-70	75	438 7302-48	55	438 8157-01	113	438 9601-10	47
438 7197-70	89	438 7302-48	61	438 8157-01	151	438 9601-10	49
438 7197-71	77	438 7302-48	63	438 8762-01	175	438 9601-10	53
438 7197-71	91	438 7302-49	101	438 8762-11	175	438 9601-10	59
438 7300-07	107	438 7302-50	99	438 8773-01	65	438 9601-10	61
438 7300-09	127	438 7302-62	37	438 8773-01	67	438 9601-10	63
438 7300-40	83	438 7302-62	41	438 8773-01	69	438 9601-10	99
438 7300-40	93	438 7302-62	49	438 8773-01	73	438 9601-20	37
438 7300-41	85	438 7302-62	53	438 8773-01	75	438 9601-20	41
438 7300-42	27	438 7302-63	37	438 8779-01	45	438 9601-20	47

Numerical index/Numerical index

Art.No/Réf. article	Page/Page	Art.No/Réf. article	Page/Page	Art.No/Réf. article	Page/Page	Art.No/Réf. article	Page/Page
438 9601-20	49	471 2264-03	57	471 5560-00	9	471 7837-30	89
438 9601-20	53	471 2264-03	61	471 5560-00	13	471 7837-40	81
438 9601-20	59	471 2264-03	63	471 5564-00	9	471 7837-40	89
438 9601-20	61	471 2265-69	39	471 5564-00	13	471 7837-50	81
438 9601-20	63	471 2265-69	43	471 5617-00	141	471 7837-50	89
438 9601-90	37	471 2265-69	51	471 5631-00	103	471 7837-60	81
438 9601-90	41	471 2265-69	55	471 5631-02	103	471 7837-60	89
438 9601-90	47	471 2265-69	57	471 5631-02	105	471 7838-01	45
438 9601-90	49	471 2265-69	61	471 6858-82	115	471 7839-01	37
438 9601-90	53	471 2265-69	63	471 6860-15	177	471 7839-01	41
438 9601-90	59	471 2401-52	151	471 6860-15	179	471 7839-01	45
438 9601-90	61	471 2409-89	113	471 6860-16	177	471 7839-01	49
438 9601-90	63	471 2409-89	115	471 6860-16	179	471 7839-01	53
438 9602-01	101	471 2409-89	117	471 6860-17	177	471 7839-01	57
438 9634-01	45	471 2417-19	33	471 6860-17	179	471 7839-01	61
438 9634-02	37	471 2417-19	35	471 6860-18	177	471 7839-01	63
438 9634-02	41	471 2418-33	113	471 6860-18	179	471 7855-01	141
438 9634-02	49	471 2429-80	135	471 6860-19	177	471 7855-02	151
438 9634-02	53	471 2440-40	37	471 6860-19	179	471 7855-02	153
438 9636-92	37	471 2440-40	41	471 6860-20	177	471 7857-04	163
438 9636-92	41	471 2440-40	45	471 6860-20	179	471 7858-01	115
438 9636-92	49	471 2440-40	49	471 7433-01	125	471 7858-01	161
438 9636-92	53	471 2440-40	53	471 7476-01	107	471 7858-03	141
438 9636-93	37	471 2440-40	57	471 7477-01	107	471 7858-07	115
438 9636-93	41	471 2440-40	61	471 7535-10	131	471 7867-01	151
438 9636-93	49	471 2440-40	63	471 7535-11	131	471 7871-07	113
438 9636-93	53	471 2449-70	107	471 7535-12	131	471 7871-07	115
438 9637-32	37	471 2449-95	39	471 7535-13	131	471 7871-07	117
438 9637-32	41	471 2449-95	43	471 7535-14	131	471 7871-07	153
438 9637-32	47	471 2449-95	51	471 7535-15	131	471 7876-01	107
438 9637-32	49	471 2449-95	55	471 7535-16	131	471 7877-01	149
438 9637-32	53	471 2449-95	57	471 7535-17	131	471 7882-02	147
438 9637-33	37	471 2449-95	61	471 7535-18	131	471 7882-03	145
438 9637-33	41	471 2449-95	63	471 7535-19	131	471 7958-01	45
438 9637-33	47	471 2454-80	135	471 7535-20	131	471 7958-01	57
438 9637-33	49	471 2461-40	103	471 7535-21	131	471 7958-02	39
438 9637-33	53	471 2841-01	149	471 7535-22	131	471 7958-02	43
438 9638-32	47	471 2903-01	153	471 7535-35	131	471 7958-02	45
438 9638-32	49	471 4005-90	153	471 7535-40	129	471 7958-02	51
438 9638-32	53	471 4009-60	27	471 7535-41	129	471 7958-02	55
438 9638-33	47	471 4009-60	29	471 7535-42	129	471 7958-02	57
438 9638-33	49	471 4039-02	135	471 7535-43	129	471 7958-02	61
438 9638-33	53	471 4051-01	115	471 7535-44	129	471 7958-02	63
438 9678-01	37	471 4051-01	117	471 7535-45	129	471 7958-02	85
438 9678-01	41	471 4052-11	135	471 7535-46	129	471 7958-02	93
438 9678-01	49	471 4074-01	45	471 7535-47	129	471 7958-02	175
438 9678-01	53	471 4074-01	57	471 7535-48	129	471 7976-01	107
438 9678-01	61	471 4103-19	135	471 7535-49	129	471 8118-06	151
438 9678-01	63	471 4210-02	133	471 7535-51	129	471 8126-23	137
438 9678-04	37	471 4211-02	135	471 7535-52	129	471 8126-23	139
438 9678-04	41	471 4212-01	135	471 7535-53	129	471 8126-24	141
438 9678-04	49	471 4494-01	27	471 7535-54	129	471 8126-36	141
438 9678-04	53	471 4494-01	29	471 7535-55	129	471 8128-21	115
438 9678-11	37	471 4640-43	105	471 7535-56	129	471 8128-41	115
438 9678-11	41	471 4641-15	141	471 7535-57	129	471 8128-55	151
438 9678-11	49	471 4652-68	105	471 7701-66	99	471 8128-55	153
438 9678-11	53	471 4792-01	177	471 7701-67	33	471 8140-15	149
438 9679-01	45	471 4792-01	179	471 7701-67	97	471 8140-16	149
438 9679-01	49	471 5511-01	103	471 7702-52	101	471 8143-90	163
438 9679-01	53	471 5511-02	103	471 7803-25	171	471 8153-00	15
471 2075-79	27	471 5511-02	105	471 7816-06	143	471 8155-02	31
471 2095-32	151	471 5516-04	103	471 7837-01	81	471 8159-06	149
471 2264-03	37	471 5523-00	99	471 7837-01	89	471 8164-00	37
471 2264-03	41	471 5523-00	103	471 7837-10	81	471 8164-00	41
471 2264-03	49	471 5523-00	105	471 7837-10	89	471 8164-00	45
471 2264-03	53	471 5525-01	103	471 7837-30	81	471 8164-00	49

Numerical index/Numerical index

Art.No/Réf. article	Page/Page	Art.No/Réf. article	Page/Page	Art.No/Réf. article	Page/Page	Art.No/Réf. article	Page/Page
471 8164-00	53	471 8236-68	179	471 8341-07	107	471 8608-16	115
471 8164-00	57	471 8238-01	149	471 8341-08	103	471 8608-16	121
471 8164-00	61	471 8259-01	19	471 8341-11	83	471 8608-17	161
471 8164-00	63	471 8259-01	23	471 8341-11	93	471 8608-19	121
471 8164-00	83	471 8259-10	21	471 8341-18	99	471 8610-02	151
471 8164-00	93	471 8259-10	25	471 8341-24	125	471 8613-05	115
471 8164-00	133	471 8260-11	125	471 8341-44	119	471 8613-05	117
471 8164-00	151	471 8260-56	125	471 8341-46	171	471 8613-05	151
471 8164-01	105	471 8260-90	125	471 8344-13	149	471 8613-05	153
471 8164-01	133	471 8260-91	125	471 8344-24	107	471 8613-05	161
471 8164-01	135	471 8260-92	125	471 8344-26	135	471 8613-09	151
471 8164-01	149	471 8271-03	163	471 8344-28	133	471 8613-09	153
471 8174-01	133	471 8271-03	165	471 8344-33	107	471 8613-10	153
471 8174-02	135	471 8271-04	163	471 8344-35	135	471 8613-11	115
471 8179-01	31	471 8271-04	165	471 8348-17	133	471 8613-12	151
471 8192-01	27	471 8273-01	105	471 8362-01	81	471 8613-13	151
471 8192-01	29	471 8274-01	109	471 8362-01	89	471 8613-13	153
471 8192-01	31	471 8276-02	33	471 8362-10	81	471 8614-02	135
471 8196-01	163	471 8276-02	125	471 8362-10	89	471 8622-09	113
471 8196-01	165	471 8276-12	33	471 8362-20	81	471 8625-00	33
471 8199-03	113	471 8276-12	125	471 8362-20	89	471 8625-00	35
471 8199-05	113	471 8279-04	137	471 8362-30	81	471 8625-00	125
471 8210-21	113	471 8279-04	139	471 8362-30	89	471 8641-01	163
471 8210-22	113	471 8279-09	137	471 8362-40	81	471 8641-01	165
471 8210-31	113	471 8279-09	139	471 8362-40	89	471 8643-01	135
471 8210-31	117	471 8281-01	123	471 8362-50	81	471 8653-04	105
471 8210-32	113	471 8281-01	155	471 8362-50	89	471 8658-02	137
471 8210-32	117	471 8281-01	157	471 8362-60	81	471 8665-03	149
471 8210-41	115	471 8283-01	163	471 8362-60	89	471 8665-04	149
471 8210-42	115	471 8283-01	165	471 8409-05	27	471 8682-06	149
471 8210-51	115	471 8287-01	37	471 8409-05	29	471 8688-13	33
471 8210-52	115	471 8287-01	41	471 8409-05	137	471 8690-21	115
471 8222-03	173	471 8287-01	47	471 8409-05	139	471 8690-21	117
471 8232-12	141	471 8287-01	49	471 8454-01	83	471 8690-21	163
471 8232-14	137	471 8287-01	53	471 8454-01	93	471 8690-21	165
471 8232-14	139	471 8287-01	61	471 8502-05	127	471 8690-22	37
471 8234-92	177	471 8287-01	63	471 8502-14	19	471 8690-22	41
471 8234-92	179	471 8287-21	37	471 8502-14	21	471 8690-22	47
471 8234-94	177	471 8287-21	41	471 8502-14	23	471 8690-22	49
471 8234-94	179	471 8287-21	45	471 8502-14	25	471 8690-22	53
471 8234-95	177	471 8287-21	49	471 8502-29	31	471 8690-22	59
471 8234-95	179	471 8287-21	53	471 8517-01	135	471 8690-22	61
471 8234-96	177	471 8287-21	57	471 8552-01	171	471 8690-22	63
471 8234-96	179	471 8287-21	61	471 8552-01	173	471 8690-22	105
471 8234-98	177	471 8287-21	63	471 8576-01	135	471 8690-22	109
471 8234-98	179	471 8287-90	37	471 8576-03	19	471 8690-22	141
471 8235-51	135	471 8287-90	41	471 8576-03	21	471 8690-22	163
471 8235-51	177	471 8287-90	45	471 8576-03	23	471 8690-22	165
471 8235-54	177	471 8287-90	47	471 8576-03	25	471 8690-31	59
471 8235-57	177	471 8287-90	49	471 8576-04	19	471 8690-31	105
471 8235-58	177	471 8287-90	53	471 8576-04	21	471 8690-32	37
471 8235-59	177	471 8287-90	57	471 8576-04	23	471 8690-32	41
471 8235-60	177	471 8287-90	59	471 8576-04	25	471 8690-32	47
471 8235-62	177	471 8287-90	61	471 8577-02	133	471 8690-32	49
471 8236-52	179	471 8287-90	63	471 8577-02	135	471 8690-32	53
471 8236-56	179	471 8288-01	165	471 8581-01	173	471 8690-32	61
471 8236-57	113	471 8307-01	143	471 8603-11	115	471 8690-32	63
471 8236-57	115	471 8307-01	145	471 8603-12	115	471 8690-32	105
471 8236-57	117	471 8307-01	147	471 8604-04	115	471 8690-36	33
471 8236-57	135	471 8320-01	133	471 8604-06	139	471 8690-36	35
471 8236-57	179	471 8320-08	27	471 8608-04	141	471 8690-51	105
471 8236-60	179	471 8320-08	29	471 8608-05	115	471 8690-71	105
471 8236-62	179	471 8320-08	31	471 8608-12	115	471 8690-72	33
471 8236-64	179	471 8320-12	29	471 8608-13	115	471 8690-72	125
471 8236-65	179	471 8328-04	33	471 8608-14	115	471 8690-91	37
471 8236-66	179	471 8328-04	35	471 8608-15	115	471 8690-91	41

Numerical index/Numerical index

Art.No/Réf. article	Page/Page	Art.No/Réf. article	Page/Page	Art.No/Réf. article	Page/Page	Art.No/Réf. article	Page/Page
471 8690-91	47	471 8830-12	169	471 9073-59	21	471 9678-95	53
471 8690-91	49	471 8830-22	167	471 9073-59	23	471 9678-95	57
471 8690-91	53	471 8830-22	169	471 9073-59	25	471 9678-95	61
471 8690-91	59	471 8830-32	167	471 9073-59	167	471 9678-95	63
471 8690-91	61	471 8830-32	169	471 9075-57	135	471 9680-01	175
471 8690-91	63	471 8830-33	167	471 9203-62	135	471 9731-02	111
471 8690-95	173	471 8830-33	169	471 9204-93	9	471 9732-02	111
471 8750-11	45	471 8859-01	37	471 9204-93	13	471 9769-02	97
471 8750-11	57	471 8859-01	41	471 9209-24	103	471 9786-01	45
471 8756-51	45	471 8859-01	45	471 9219-38	137	471 9786-01	49
471 8756-51	57	471 8859-01	49	471 9219-38	139	471 9786-01	53
471 8762-04	45	471 8859-01	53	471 9228-03	141	471 9787-07	37
471 8762-04	57	471 8859-01	57	471 9228-97	103	471 9787-07	41
471 8767-03	45	471 8859-01	61	471 9228-98	103	471 9789-01	57
471 8778-13	37	471 8859-01	63	471 9228-98	105	471 9789-01	61
471 8778-13	41	471 8859-07	57	471 9228-98	109	471 9789-01	63
471 8778-13	45	471 8859-15	37	471 9228-98	171	471 9789-05	57
471 8778-13	49	471 8859-15	41	471 9529-10	45	471 9789-05	61
471 8778-13	53	471 8859-15	45	471 9529-10	57	471 9789-05	63
471 8781-01	45	471 8859-15	49	471 9550-21	45	471 9811-39	29
471 8781-01	57	471 8859-15	53	471 9550-21	57	471 9811-40	29
471 8781-02	45	471 8859-15	61	471 9550-22	45	471 9811-41	29
471 8781-02	57	471 8859-15	63	471 9608-01	127	471 9811-42	29
471 8781-03	45	471 8862-01	37	471 9625-02	103	471 9811-44	29
471 8781-03	57	471 8862-01	41	471 9625-03	107	471 9811-45	29
471 8781-04	45	471 8862-01	47	471 9625-03	109	471 9811-46	29
471 8781-04	57	471 8862-01	49	471 9628-32	85	471 9811-47	27
471 8781-11	45	471 8862-01	53	471 9628-32	87	471 9811-48	27
471 8781-11	57	471 8862-01	59	471 9628-32	93	471 9811-49	27
471 8792-01	37	471 8862-01	61	471 9628-32	95	471 9811-51	27
471 8792-01	41	471 8862-01	63	471 9628-33	85	471 9821-04	37
471 8792-01	45	471 8887-01	59	471 9628-33	87	471 9821-04	41
471 8792-01	49	471 8993-01	69	471 9628-33	93	471 9821-04	47
471 8792-01	53	471 8993-01	75	471 9628-33	95	471 9821-04	49
471 8792-01	57	471 8993-01	81	471 9649-04	45	471 9821-04	53
471 8792-01	61	471 8993-01	89	471 9649-04	57	471 9821-05	59
471 8792-01	63	471 8995-11	45	471 9649-05	45	471 9821-05	61
471 8793-01	83	471 8995-11	57	471 9649-05	57	471 9821-05	63
471 8793-01	87	471 8995-11	65	471 9649-12	45	472 5787-01	85
471 8793-01	93	471 8995-11	67	471 9649-12	57	472 5787-01	87
471 8793-01	95	471 8995-11	69	471 9676-08	37	472 5787-01	93
471 8796-01	163	471 8995-11	73	471 9676-08	41	472 5787-01	95
471 8796-01	165	471 8995-11	75	471 9676-08	47	472 6024-00	151
471 8799-02	37	471 8995-12	45	471 9676-08	49	472 6024-00	153
471 8799-02	41	471 8995-12	57	471 9676-08	53	472 6025-00	151
471 8799-02	47	471 8995-12	65	471 9676-08	59	472 6025-00	153
471 8799-02	49	471 8995-12	67	471 9676-08	61	472 6028-01	133
471 8799-02	53	471 8995-12	69	471 9676-08	63	472 6029-01	133
471 8799-02	59	471 8995-12	73	471 9678-33	37	472 6030-01	135
471 8799-02	61	471 8995-12	75	471 9678-33	41	472 6212-03	27
471 8799-02	63	471 8995-13	45	471 9678-33	45	472 6231-00	143
471 8822-12	167	471 8995-13	57	471 9678-33	49	472 6232-00	143
471 8822-12	169	471 8995-13	65	471 9678-33	53	472 6233-00	143
471 8822-22	167	471 8995-13	67	471 9678-61	45	472 6234-02	143
471 8822-22	169	471 8995-13	69	471 9678-61	57	472 6256-02	19
471 8822-24	167	471 8995-13	73	471 9678-62	45	472 6256-02	21
471 8822-24	169	471 8995-13	75	471 9678-62	57	472 6256-02	23
471 8822-40	167	471 8997-04	85	471 9678-93	37	472 6256-02	25
471 8822-40	169	471 8997-04	93	471 9678-93	41	472 6256-02	143
471 8822-41	167	471 8997-05	87	471 9678-93	45	472 6346-01	133
471 8822-41	169	471 8997-05	95	471 9678-93	49	472 6363-05	133
471 8825-91	167	471 9004-81	29	471 9678-93	53	472 6374-01	133
471 8825-91	169	471 9019-34	21	471 9678-95	37	472 6375-02	113
471 8830-02	167	471 9037-73	123	471 9678-95	41	472 6375-02	117
471 8830-02	169	471 9063-05	135	471 9678-95	45	472 6382-01	97
471 8830-12	167	471 9073-59	19	471 9678-95	49	472 6390-02	127

Numerical index/Numerical index

Art.No/Réf. article	Page/Page	Art.No/Réf. article	Page/Page	Art.No/Réf. article	Page/Page	Art.No/Réf. article	Page/Page
472 6396-01	133	721 4383-50	105	725 2636-51	21	734 1124-01	107
472 6397-02	133	724 1285-42	135	725 2636-51	23	734 1136-01	127
472 6810-01	19	724 1299-01	127	725 2636-51	25	734 1146-01	135
472 6810-01	21	724 1335-01	135	725 2636-51	31	734 1153-01	171
472 6810-01	23	725 2327-42	133	725 2640-51	31	734 1153-09	103
472 6810-01	25	725 2364-42	103	725 5340-01	133	734 1153-09	107
472 6812-01	19	725 2366-61	123	725 5340-01	135	734 1153-09	133
472 6812-01	21	725 2366-61	127	725 5453-01	171	734 1164-01	107
472 6812-01	23	725 2366-61	149	728 8323-01	111	734 1164-01	171
472 6812-01	25	725 2368-51	103	728 8445-01	99	734 1164-09	27
472 6814-01	19	725 2368-51	127	728 8489-01	101	734 1164-09	107
472 6814-01	21	725 2374-51	103	731 2314-01	133	734 1164-09	135
472 6814-01	23	725 2379-51	171	731 2314-92	135	734 1173-01	19
472 6814-01	25	725 2451-42	27	731 2316-01	103	734 1173-01	21
472 6817-01	19	725 2451-42	29	731 2316-01	105	734 1173-01	27
472 6817-01	21	725 2451-42	31	731 2316-01	171	734 1173-01	137
472 6817-01	23	725 2455-42	107	731 2318-42	135	734 1173-01	139
472 6817-01	25	725 2455-51	171	731 2320-42	103	734 1173-09	135
472 6818-03	19	725 2459-51	33	731 2320-42	109	734 1173-49	109
472 6818-03	21	725 2459-51	35	731 2322-01	143	734 1176-09	103
472 6818-03	23	725 2461-51	23	731 2322-01	145	734 1178-01	19
472 6818-03	25	725 2461-71	107	731 2322-01	147	734 1178-01	21
472 6837-01	115	725 2464-51	25	732 2110-01	103	734 1178-01	23
472 6837-01	121	725 2464-51	171	732 2110-01	107	734 1178-01	25
472 7206-01	151	725 2466-51	19	732 2112-01	99	734 1178-01	143
472 7206-01	153	725 2466-51	21	732 2112-01	127	734 1178-01	167
472 7256-04	133	725 2466-51	23	732 2112-01	149	734 1178-09	103
472 7260-03	133	725 2475-51	21	732 2112-42	133	734 1178-09	133
472 7261-01	159	725 2475-51	25	732 2114-01	125	734 1178-09	135
472 7286-02	163	725 2501-51	29	732 2116-01	119	734 1186-01	19
472 7286-02	165	725 2501-81	27	732 2116-01	123	734 1186-01	21
472 7286-03	163	725 2501-81	29	732 2116-01	127	734 1186-01	23
472 7286-03	165	725 2503-51	19	732 2116-01	171	734 1186-01	25
472 7838-01	37	725 2503-51	21	732 2118-01	19	734 1186-01	33
472 7838-01	41	725 2503-81	27	732 2118-01	21	734 1808-51	99
472 7838-01	49	725 2503-81	29	732 2118-01	23	735 3114-09	103
472 7838-01	53	725 2503-81	139	732 2118-01	25	735 3166-00	33
472 7838-01	57	725 2509-51	27	732 2118-01	29	735 3171-41	35
472 7838-01	61	725 2509-51	137	732 2118-01	107	735 3175-00	35
472 7838-01	63	725 2518-51	27	732 2118-01	123	735 3177-10	33
472 7915-01	105	725 2538-51	23	732 2118-01	141	735 3181-10	35
472 7916-02	105	725 2538-51	25	732 2118-01	143	735 3183-10	35
472 7917-01	105	725 2540-51	19	732 2118-01	155	735 5852-00	133
472 7918-02	105	725 2540-51	167	732 2118-01	157	735 9187-00	111
472 7919-01	105	725 2542-42	103	732 2118-01	171	735 9630-01	33
472 7920-01	105	725 2544-51	19	732 2120-01	19	735 9630-01	35
472 7926-04	109	725 2544-51	21	732 2120-01	21	736 2816-51	115
472 7990-02	111	725 2544-51	23	732 2120-01	27	736 2816-51	117
472 7991-02	111	725 2544-51	25	732 2120-01	29	736 2816-51	123
472 9087-01	151	725 2544-51	143	732 2122-01	19	736 2816-51	135
472 9087-01	153	725 2548-51	19	732 2122-01	21	736 2816-51	149
472 9209-01	163	725 2558-51	21	732 2122-01	23	736 2825-51	115
472 9209-01	165	725 2558-51	23	732 2122-01	25	736 2825-51	117
472 9214-02	163	725 2558-51	25	732 2122-01	33	736 2825-51	135
472 9214-02	165	725 2558-51	33	732 2122-01	103	736 2831-51	113
472 9912-23	99	725 2559-51	23	732 2122-01	143	736 2831-51	117
472 9912-24	101	725 2559-51	25	732 2122-01	167	736 2831-51	119
472 9913-22	27	725 2559-51	169	732 2122-01	169	736 2837-51	113
472 9913-22	29	725 2624-51	33	732 2124-01	19	736 2837-51	117
472 9913-22	31	725 2624-51	35	732 2124-01	21	736 2840-51	115
472 9913-44	97	725 2632-51	19	732 2124-01	23	736 2840-51	117
472 9913-44	99	725 2632-51	21	732 2124-01	25	736 2840-51	151
472 9913-44	101	725 2632-51	23	732 2124-01	31	736 2840-51	153
487 0289-00	175	725 2632-51	25	732 3116-14	103	736 2840-51	161
487 0289-08	175	725 2634-51	31	732 3116-14	105	736 2843-51	115
720 1307-06	133	725 2636-51	19	732 3116-14	171	736 2849-51	113

Numerical index/Numerical index

Art.No/Réf. article	Page/Page	Art.No/Réf. article	Page/Page	Art.No/Réf. article	Page/Page	Art.No/Réf. article	Page/Page
736 2849-51	115						
736 2849-51	117						
736 2849-51	151						
736 2849-51	153						
736 2852-51	151						
736 2852-51	153						
736 2852-51	155						
736 2852-51	157						
736 2855-51	123						
736 2855-51	155						
736 2855-51	157						
738 2204-19	105						
738 8810-01	35						
740 5147-03	105						
741 3113-22	149						
741 3117-21	113						
741 3117-21	117						
741 4102-20	163						
741 4102-20	165						
741 4102-20	173						
741 5115-24	137						
741 5115-24	139						
742 1113-24	149						
742 1118-13	115						
742 1119-13	115						
742 1119-13	121						
742 5113-24	149						
767 5102-92	47						
767 5102-92	51						
767 5102-92	55						
877 5211-08	115						
877 5211-08	117						
877 5211-08	135						

WASCOMAT

461 Doughty Blvd., Inwood, L.I., N.Y. 11096-0338

Telephone: 516-371-4400

Parts and Service FAX: 516-371-4029

Sales and Administration FAX: 516-371-4204