

EX-7, EX-7 HI-TEK

---

Washer extractor  
Laveuses essoreuses

---



## List of issues

Group  
Groupe  
**US41**

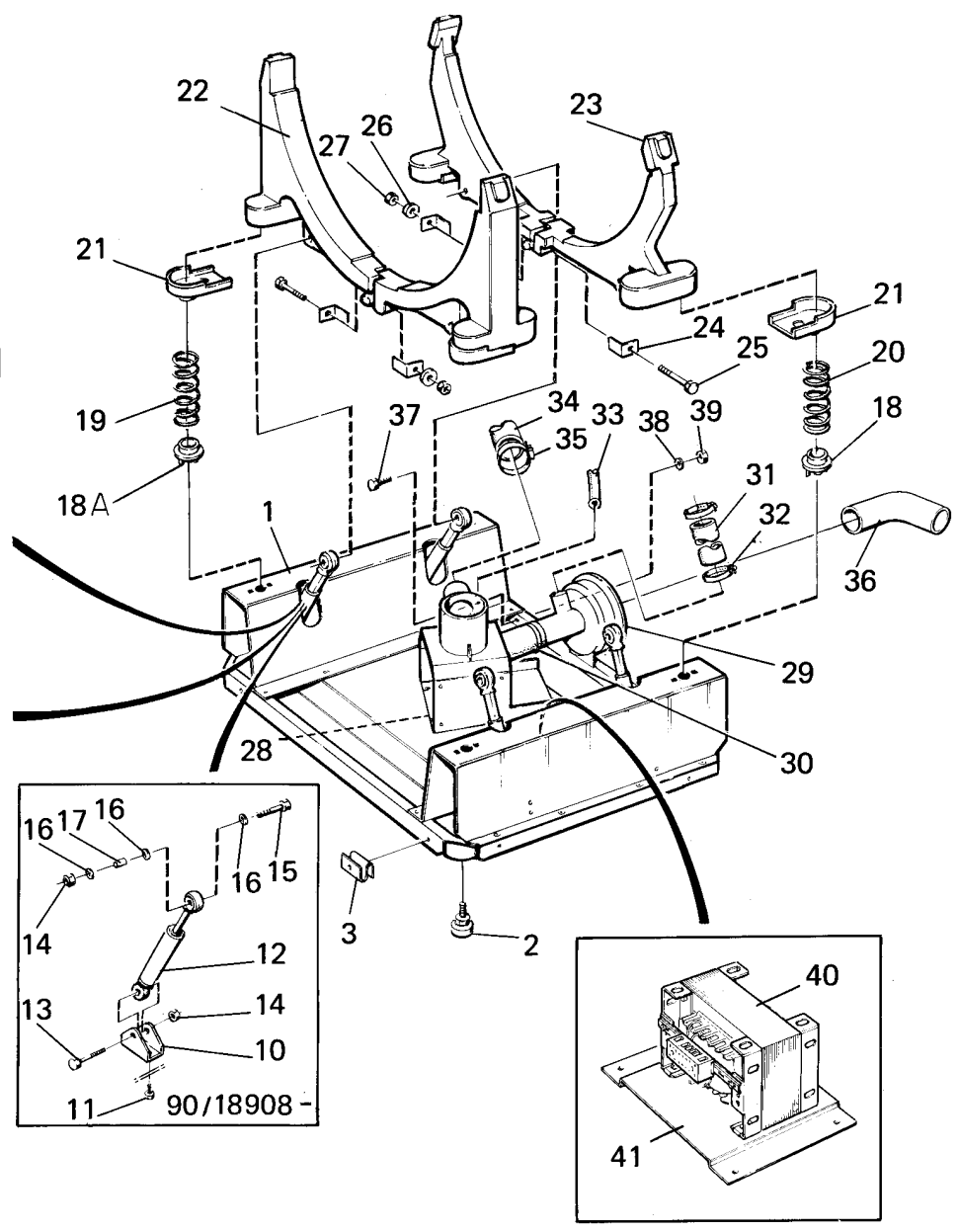
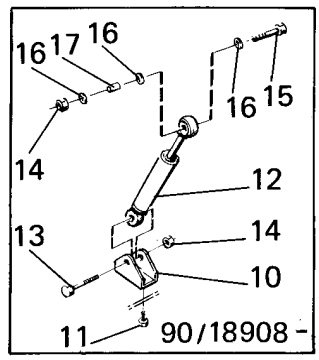
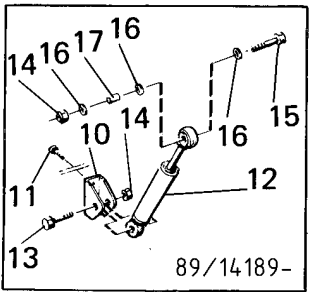
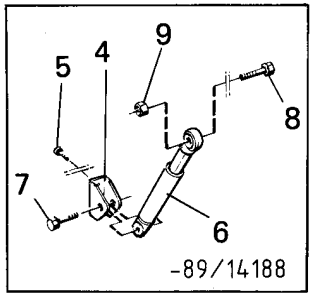
### EX-7,EX-7 HI-TEK

Illustration	Page	Table of contents
100031	7	Counterweights and base
100033	13	Front panel with control panel
100034	15	Control panel P03
100035	19	Control panel PE03
100036	23	Door
100037	25	Back plate with inner drum, bearings and pulley
100039	29	P03 connection for cold water
100045	51	Inlet valve 3/4", 2-way
100046	53	Inlet valve 3/4", 3-way
100180	17	Control panel P03
100183	31	Connection for cold and hot water
100186	35	Electronic coin meter with components
100187	37	Electrical components, component panel P03
100188	39	Electric components, component panel for PE03
100230	49	Drain valve
100797	57	Inlet valve 3/4", 3-way
100798	55	Inlet valve 3/4", 2-way
100813	43	Drain pump components
100819	11	Outer drum and motor
100908	45	Cables PE03
100918	21	Control panel
100919	41	Electric components, component panel
100920	33	Connection for cold and hot water
101109	27	Back plate with inner drum
101136	47	Cables P03
101367	59	Detergent container



## EX-7,EX-7 HI-TEK

Table of contents	Table des matières	Page/Page
*Counterweights and base	Contrepoids et base	7
Outer drum and motor	Tambour extérieur et moteur	11
Front panel with control panel	Panneau frontal avec pupitre de commande	13
Control panel P03	Pupitre de commande P03	15
Control panel P03	Pupitre de commande P03	17
Control panel PE03	Tableau de commande PE03	19
Control panel	Pignon arrière avec tambour intérieur	21
Door	Plaque	23
Back plate with inner drum, bearings and pulley	Pignon arrière avec tambour intérieur & poulie	25
Back plate with inner drum	Pignon arrière avec tambour intérieur	27
P03 connection for cold water	P03 raccord eau froide	29
Connection for cold and hot water	Raccords eau chaude et eau froide	31
Connection for cold and hot water	Raccords eau chaude et eau froide	33
Electronic coin meter with components	Monnayeur électronique avec composants	35
Electrical components, component panel P03	Composants électriques, plaques P03	37
Electric components, component panel for PE03	Composants électriques, plaques PE03	39
Electric components, component panel	Composants électriques, plaque composants	41
Drain pump components	Composants de la pompe de décharge	43
Cables PE03	Câblage PE03	45
Cables P03	Câblage P03	47
Drain valve	Purgeur	49
Inlet valve 3/4", 2-way	Soupape de admission 3/4", 2 voies	51
Inlet valve 3/4", 3-way	Soupape de admission 3/4", 3 voies	53
Inlet valve 3/4", 2-way	Soupape de admission 3/4", 2 voies	55
Inlet valve 3/4", 3-way	Soupape de admission 3/4", 3 voies	57
Detergent container	Compartiment à savon	59



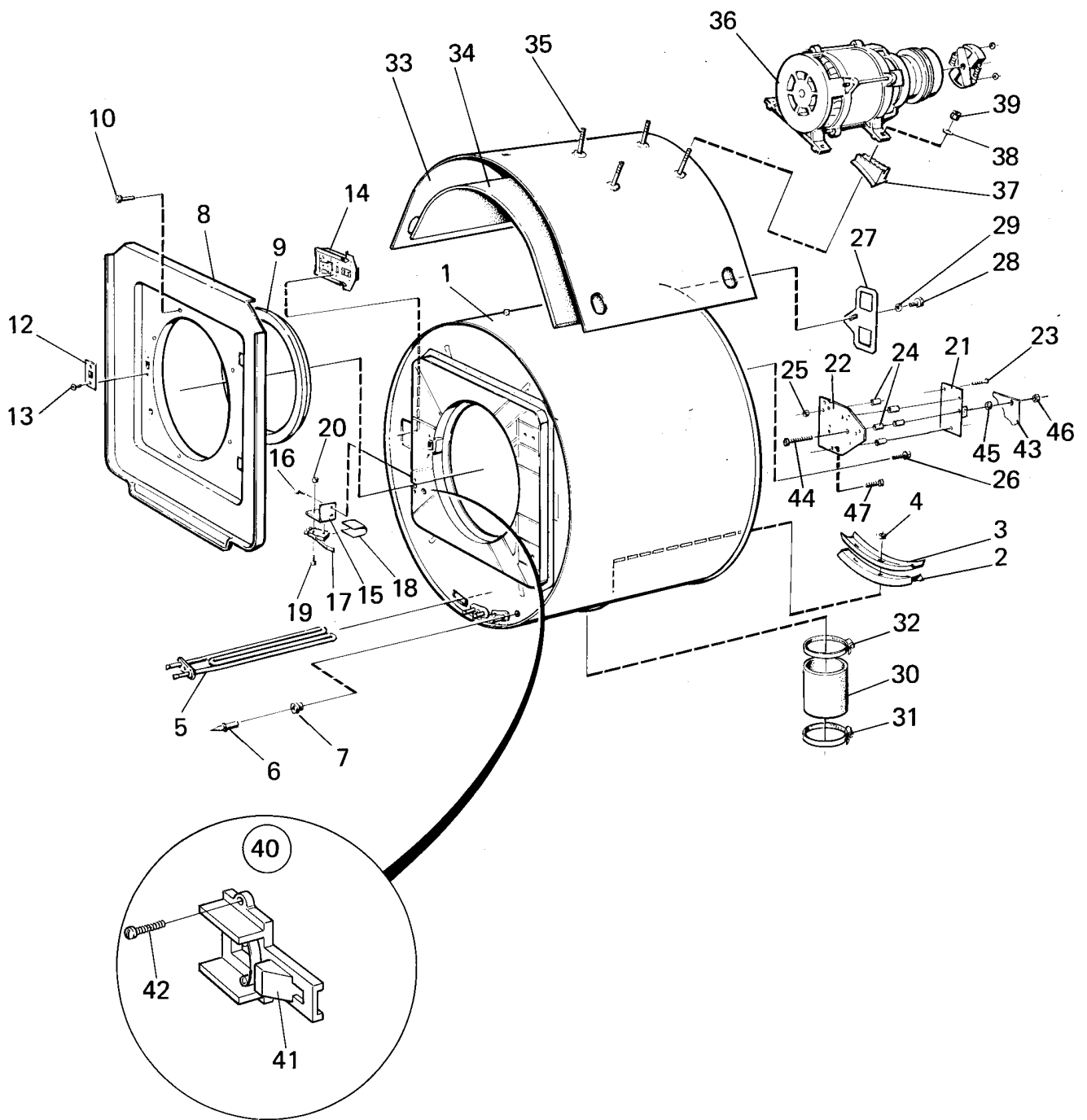
**EX-7,EX-7 HI-TEK**

**Counterweights and base**

**Contrepoids et base**

Illustration Issue Month Year  
Schéma Issue Month Year  
**100031/9 8 5 2005**

Item Article	Quantity Quantité	Art.No Réf. article	Description	Description	Info Info	Notes Remarques
	EX-7					
	EX-7 HI-TEK					
1	1	1	472 8746-01	Bottom plate	3	-90/18907
	1	1	472 8746-02	Bottom plate	3	90/18908-
2	4		471 8194-01	Foot	3	WITH NUT
3	8	8	471 7864-01	Clip	3	M6
4	4	4	472 8733-01	Bracket	3	-89/14188
5	8	8	725 2366-61	Screw	3	M6SF 6X12 -89/14188
6	1	1	472 9900-25	Shock absorber	1	REBUILDING KIT -89/14188
7	4	4	725 2499-61	Screw	3	-89/14188
8	4	4	725 2507-51	Screw	3	M10X80 -89/14188
9	4	4	732 2120-01	Locking nut	3	M10 -89/14188
10	4	4	472 9717-01	Bracket	3	
11	8	8	722 7969-09	Rivet	3	
* 12	4	4	471 8259-01	Shock absorber	1,2	89/14189-
13	4	4	725 2459-51	Screw	3	M8X40 89/14189-
14	8	8	732 2118-01	Locking nut	3	M8 89/14189-
15	4	4	725 2466-51	Screw	3	M8X75 89/14189-
16	12	12	734 1164-01	Washer	3	8,4X17 89/14189-
17	4	4	472 9716-01	Sleeve	1	89/14189-
18	4	4	472 8813-01	Spring retainer	3	
19	2	2	471 7810-03	Spring	1	Red -87/4259
	2	2	471 7810-07	Spring	1	Red 87/4260-
20	2	2	471 7810-03	Spring	1	Red -87/4259
	2	2	471 7810-08	Spring	1	Blue 87/4260-
21	4	4	472 8814-01	Spring retainer	3	
22	1	1	472 8953-01	Balance weight	3	FRONT 87/3488-
23	1	1	472 8954-01	Balance weight	3	Rear 87/3488-
24	4	4	472 8782-01	Bracket	3	
25	2	2	725 2511-51	Screw	3	M10X100
26	2	2	734 1173-31	Washer	3	
27	2	2	732 2118-01	Locking nut	3	M8
28	1	1	472 8754-01	Drain valve	1,2	220V 50/60Hz See group US8106
29	1	1	472 8722-01	Connection	1	
30	1	1	736 2840-51	Hose clamp	3	Ø50-63
31	1	1	471 8134-01	Hose	1	
32	2	2	736 2146-11	Hose clamp	3	
33	1	1	471 5100-00	Hose	1,2	L-1000
34	1	1	472 8761-01	Hose	1	
35	1	1	736 2837-51	Hose clamp	3	Ø48-54
36	1		471 2459-60	Hose	1	
37	1		725 2374-51	Screw	3	M6X30
38	1		735 2153-01	Lock washer	3	6,4
39	1		731 2316-01	Nut	3	M6
40	1		471 9550-19	Transformer	1,2	346,380,440,480V PRIM. 346V, SEC. 220V
41	1		472 9719-01	Mounting plate	3	





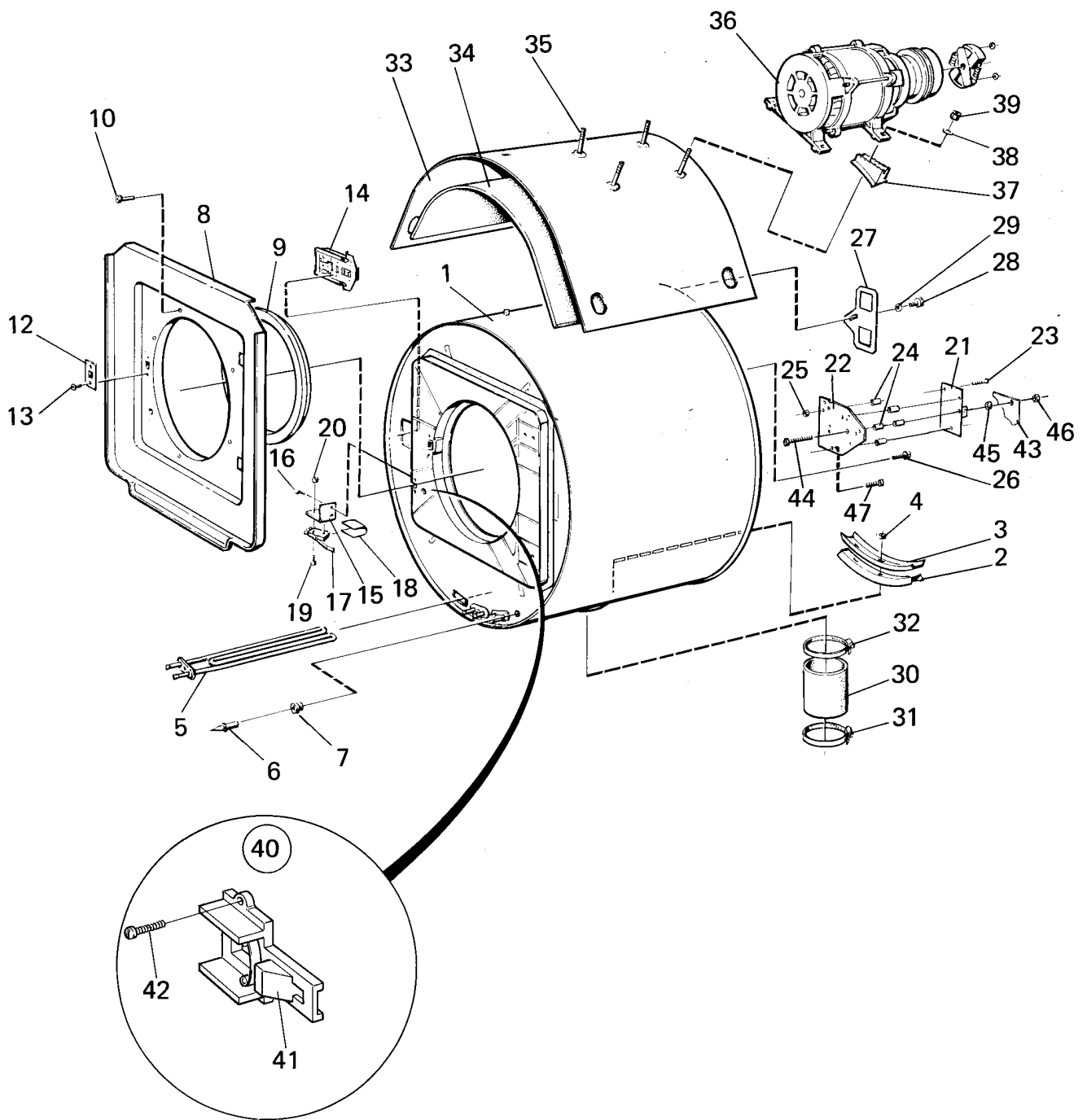
**EX-7,EX-7 HI-TEK**

**Outer drum and motor**

**Tambour extérieur et moteur**

Illustration Issue Month Year  
Schéma Issue Month Year  
**100819/4 10 11 2000**

Item Article	Quantity Quantité	Art.No Réf. article	Description	Description	Info Info	Notes Remarques
			<b>EX-7</b>			
			<b>EX-7 HI-TEK</b>			
1	1	471 4654-03	Outer drum	Extérieur du tambour	1	
2	1	472 8779-01	Bracket	Pièce de retenue	3	FOR HEATING ELEMENT
3	1	472 8778-01	Bracket	Pièce de retenue	3	FOR HEATING ELEMENT
4	1	732 2114-92	Locking nut	Contre-écrou	3	M5
5	3	471 9812-12	Heating element	Élément chauffant	1,2	230V 2,5kW
	3	471 9812-13	Heating element	Élément chauffant	1,2	254V 2,5kW
	3	471 9810-04	Heating element	Élément chauffant	1,2	254V 1,8kW
	3	471 9810-05	Heating element	Élément chauffant	1,2	220V 2KW
	3	471 9810-07	Heating element	Élément chauffant	1,2	220V 0,665KW
	3	471 9810-06	Heating element	Élément chauffant	1,2	220V 1,8KW
	3	471 9812-17	Heating element	Élément chauffant	1,2	220V 1kW
6	1	472 9913-22	Sensor	Capteur	1	Complete
7	1	471 8192-01	•Bushing	•Douille	1,2	
8	1	472 8724-01	Trim	Garniture	1	Graphite grey
9	1	472 8717-01	Gasket	Joint	1,2	
10	6	471 7961-01	Rivet	Rivet	3	M4X10
11	6	734 1136-49	Washer	Rondelle	3	BRB 4,3
12	1	472 8957-02	Washer	Rondelle	3	
13	2	724 3291-42	Screw	Vis	3	MFX 4X12,
14	1	471 7836-01	Door locking device	Serrure de porte	1,2	
15	1	472 8817-01	Bracket	Pupitre	3	
16	2	729 5340-42	Screw	Vis	3	RXS B8X9,5
17	1	471 9633-02	Microswitch	Microrupteur	1,2	
18	1	472 9764-01			3	
19	2	724 1228-01	Screw	Vis	3	M3X16
20	2	731 2310-01	Nut	Écrou	3	M3
21	1	471 9663-03	Speed sensor	Contrôle vitesse	1,2	120V
	1	471 9663-04	Speed sensor	Contrôle vitesse	1,2	208-240V
22	1	472 8996-01	Bracket	Pupitre	3	
23	4	724 1230-01	Screw	Vis	3	M3X20
24	2	471 5080-03	Spacer	Entretoise	3	
25	4	732 2110-01	Locking nut	Contre-écrou	3	M3
26	3	725 2366-61	Screw	Vis	3	M6SF 6X12
27	1	472 8870-01	Clamp	Bride de fixation	3	UNBALANCE SWITCH -90/24002
	1	472 9742-01	Clamp	Bride de fixation	3	UNBALANCE SWITCH 90/24003-
28	1	725 2366-61	Screw	Vis	3	M6SF 6X12
29	1	471 8502-05	Washer	Rondelle	3	NB 6x22
30	1	472 6026-01	Hose	Flexible	1,2	
31	1	471 7851-04	Hose clamp	Attache flexible	3	
32	1	471 7851-03	Hose clamp	Attache flexible	3	Ø95-115
33	1	472 8955-01	Tension strap	Extenseur	3	87/3488-
34	1	471 7506-04	Shock absorber mat	Tapis amortisseur chocs	3	87/3488-
35	4	471 4654-52	Screw	Vis	3	MVBF 8X60
36	1	471 9733-01	Motor	Moteur	1,2	220V 50Hz
	1	471 9733-02	Motor	Moteur	1,2	120V 60Hz
	1	471 9733-03	Motor	Moteur	1,2	240V 50
	1	471 9733-09	Motor	Moteur	3	208-240V 1AC 60Hz 1AC
37	4	472 8768-01	Bracket	Pupitre	3	-90/21757
	4	472 8962-01	Bracket	Pupitre	3	90/21758-
38	5	734 1164-01	Washer	Rondelle	3	8,4X17
39	4	732 2118-01	Locking nut	Contre-écrou	3	M8
40	1	472 9778-01	Bracket	Pièce de retenue	1	Complete
41	1					
42	2					
43	1	472 9763-01	Cover	Couvercle	3	



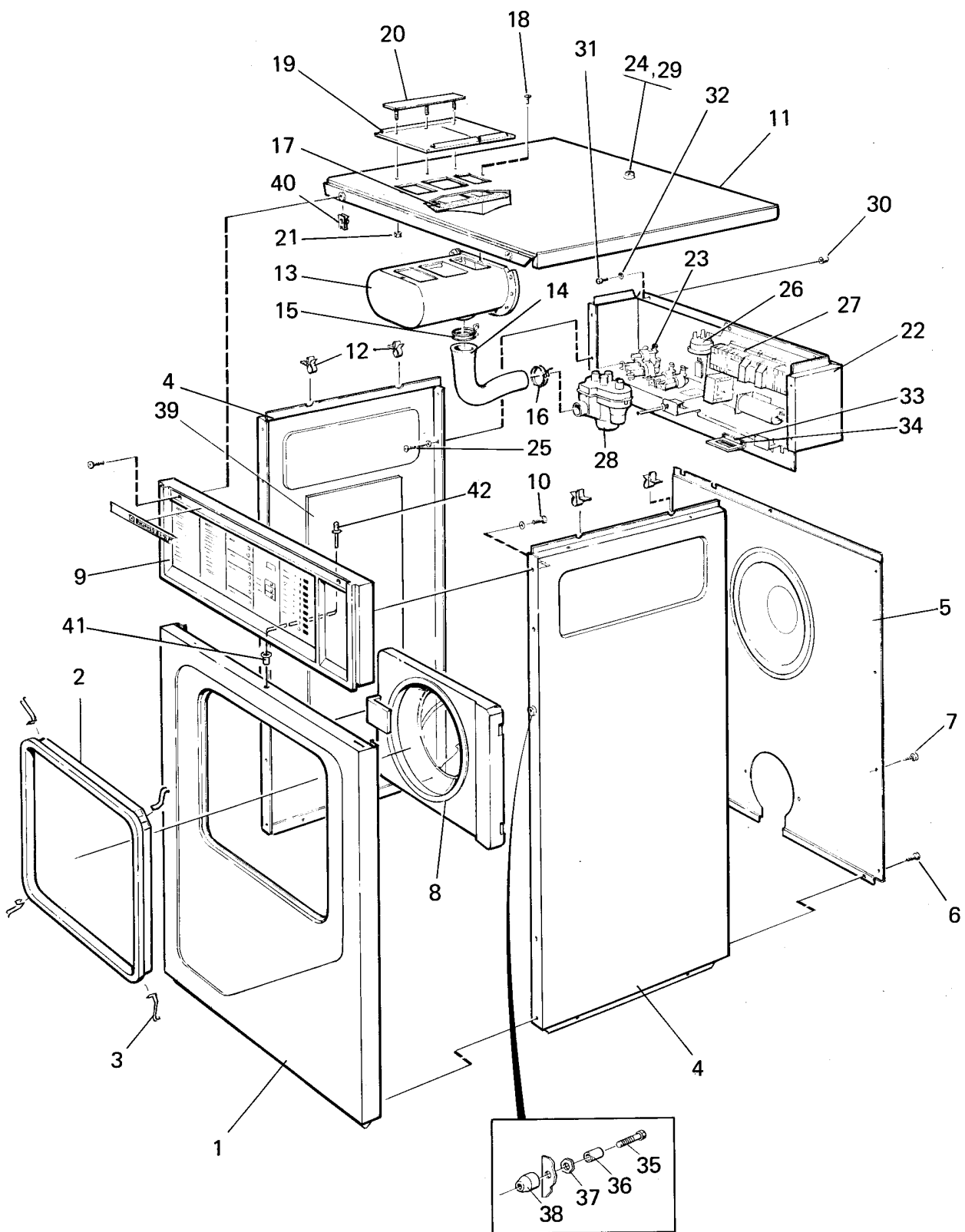
**EX-7,EX-7 HI-TEK**

**Outer drum and motor**

**Tambour extérieur et moteur**

Illustration	Issue	Month	Year
Schéma	Issue	Month	Year
<b>100819/4</b>	<b>10</b>	<b>11</b>	<b>2000</b>

Item Article	Quantity Quantité	Art.No Réf. article	Description	Description	Info Info	Notes Remarques
		EX-7				
		EX-7 HI-TEK				
<b>44</b>	1	1	<b>471 8341-19</b>	Screw	Vis	3 M4X40
<b>45</b>	1	1	<b>731 2312-01</b>	Nut	Écrou	3 M4
<b>46</b>	1	1	<b>732 2112-01</b>	Locking nut	Contre-écrou	3 M4
<b>47</b>	1	1	<b>725 2366-61</b>	Screw	Vis	3 M6SF 6X12



100033

Issue	Month	Year
04	09	94

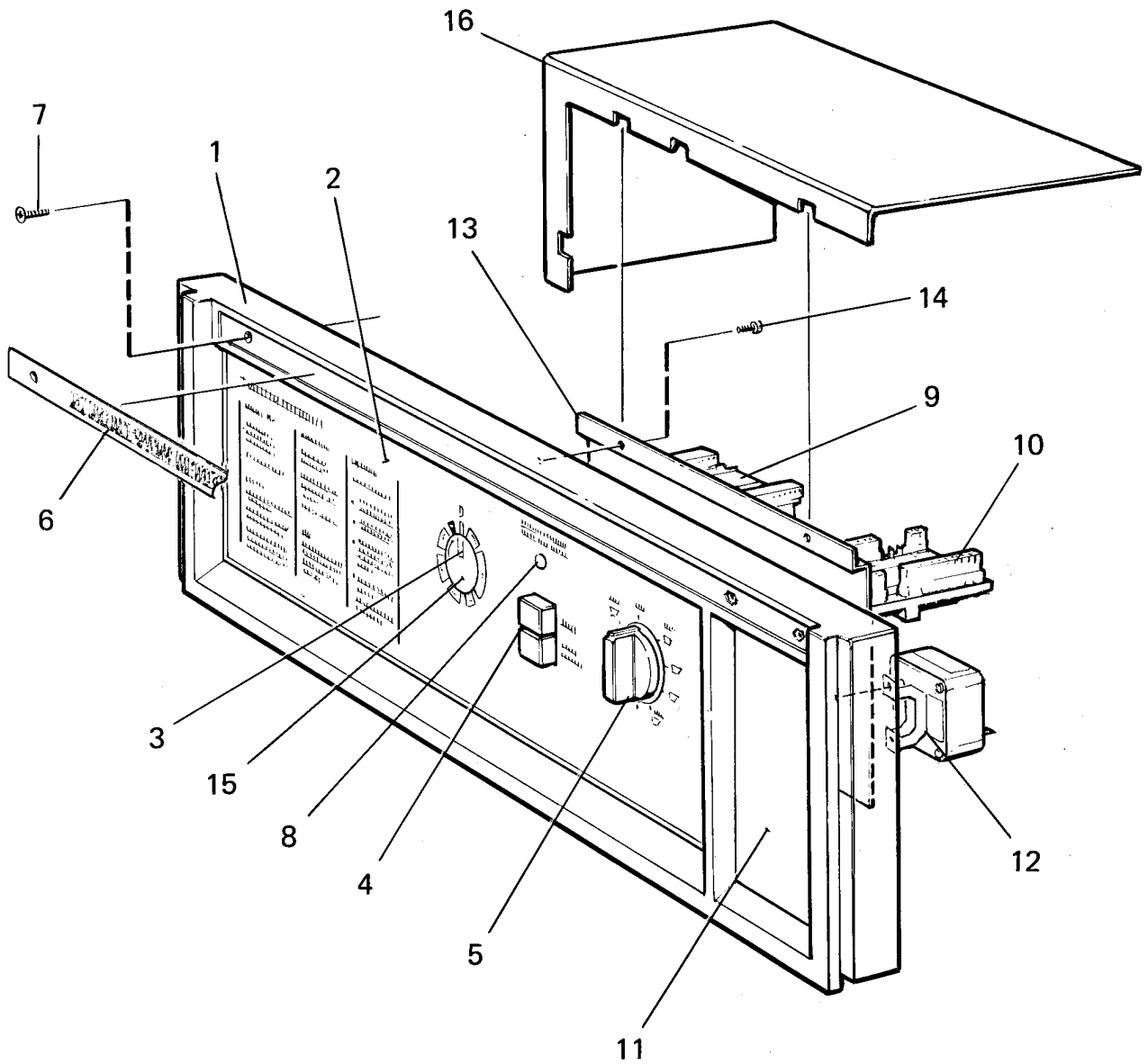
**EX-7 HI-TEK**

**Front panel with control panel**

**Panneau frontal avec pupitre de commande**

Illustration Issue Month Year  
Schéma Issue Month Year  
**100033/3 9 10 1996**

Item Article	Qua Qua	Art.No Réf. article	Description	Description	Info Info	Notes Remarques
<b>1</b>	1	<b>472 8967-03</b>	Front panel	Panneau avant	3	Stainless 4728705-10
	1	<b>472 8967-04</b>	Front panel	Panneau avant	3	Beige 4728705-09
	1	<b>472 8967-01</b>	Front panel	Panneau avant	3	Yellow 4728705-06
	1	<b>472 8967-02</b>	Front panel	Panneau avant	3	Blue 4728705-05
<b>2</b>	1	<b>472 8723-01</b>	Frame	Châssis	3	Black
<b>3</b>	4	<b>472 8769-01</b>	Spring	Ressort	1,2	
<b>4</b>	2	<b>438 5327-02</b>	Side panel	Panneau latéral	3	White
<b>5</b>	1	<b>438 5329-01</b>	Rear panel	Panneau arrière	3	
<b>6</b>	RQ	<b>725 2366-61</b>	Screw	Vis	3	M6SF 6X12
<b>7</b>	RQ	<b>729 5342-01</b>	Screw	Vis	3	
<b>8</b>			Door	Plaque		See illustr. 100036
<b>9</b>			Control panel	Pupitre de commande		-35,100080 See illustr. 100034
<b>10</b>	4	<b>471 8317-01</b>	Screw	Vis	3	
<b>11</b>	1	<b>472 8706-02</b>			3	WITHOUT COIN-METER
	1	<b>472 8706-04</b>			3	WITH COIN-METER
<b>12</b>	4	<b>472 8721-01</b>	Cable clip	Pièce fixation câbles	3	
<b>13</b>			Detergent container	Compartiment à savon		See illustr. 100223
<b>14</b>	1	<b>472 8759-01</b>	Hose	Flexible	1	
<b>15</b>	1	<b>736 2840-51</b>	Hose clamp	Attache flexible	3	Ø50-63
<b>16</b>	1	<b>736 2150-11</b>	Hose clamp	Attache flexible	3	
<b>17</b>	1	<b>471 4555-01</b>	Gasket	Joint	1,2	-93/39911
	1	<b>438 0078-01</b>	Gasket	Joint	1,2	93/39912-95/50131
	1	<b>438 0460-01</b>	Gasket	Joint	1,2	95/50132-
<b>18</b>	2	<b>724 3291-42</b>	Screw	Vis	3	MFx 4X12,
<b>19</b>	1		Cover	Couvercle	1	See group US8802
<b>20</b>	1		•Rail	•Support	3	See group US8802
<b>21</b>	3		•Nut	•Écrou	3	M4
<b>22</b>	1	<b>472 8707-04</b>	Brace bracket	Support de montant	3	White -93/38449
	1	<b>472 9797-02</b>	Brace bracket	Support de montant	3	White 93/38450-
	1	<b>472 8707-12</b>	Brace bracket	Support de montant	3	Beige -93/38449
	1	<b>472 9797-04</b>	Brace bracket	Support de montant	3	Beige 93/38450-
<b>23</b>			Valve	Soupape		See illustr. 100223
<b>24</b>	1	<b>471 7829-03</b>	Lock	Serrure	1,2	
<b>25</b>	4	<b>471 8311-00</b>	Screw	Vis	3	M6SFTT 5X16
<b>26</b>			Level control	Réglage de niveau		See illustr. 100187, 100188
<b>27</b>			Components	Détail		See illustr. 100187, 100188
<b>28</b>	1	<b>472 8714-01</b>	Siphon breaker	Rupteur de siphon	3	
<b>29</b>	1	<b>471 7826-99</b>	Nut	Écrou	3	
<b>30</b>	2	<b>472 8735-01</b>	Bracket	Pièce de retenue	3	
<b>31</b>	2	<b>724 1289-01</b>	Screw	Vis	3	M4X10
<b>32</b>	2	<b>735 2136-01</b>	Lock washer	Rondelle d'arrêt	3	AZ 4,3 4,3
<b>33</b>	1	<b>472 8810-01</b>	Eye	Oeil	3	
<b>34</b>	2	<b>725 2366-61</b>	Screw	Vis	3	M6SF 6X12
<b>35</b>	2	<b>471 7864-02</b>	Clip	Colliers de serrage	3	M5
	2	<b>724 1303-01</b>	Screw	Vis	3	M4X40
<b>36</b>	2	<b>471 8114-01</b>	Hose	Flexible	1	
<b>37</b>	2	<b>731 2312-01</b>	Nut	Écrou	3	M4
<b>38</b>	2	<b>472 8773-01</b>	Bracket	Pièce de retenue	3	
<b>39</b>	2	<b>471 2098-71</b>	Insulating disc	Couche isolante	3	400X700
<b>40</b>	2	<b>471 7864-02</b>	Clip	Colliers de serrage	3	M5
<b>41</b>	1	<b>438 5109-02</b>	Guide pin	Broche de guidage	3	
<b>42</b>	1	<b>471 8454-07</b>	Rivet	Rivet	3	



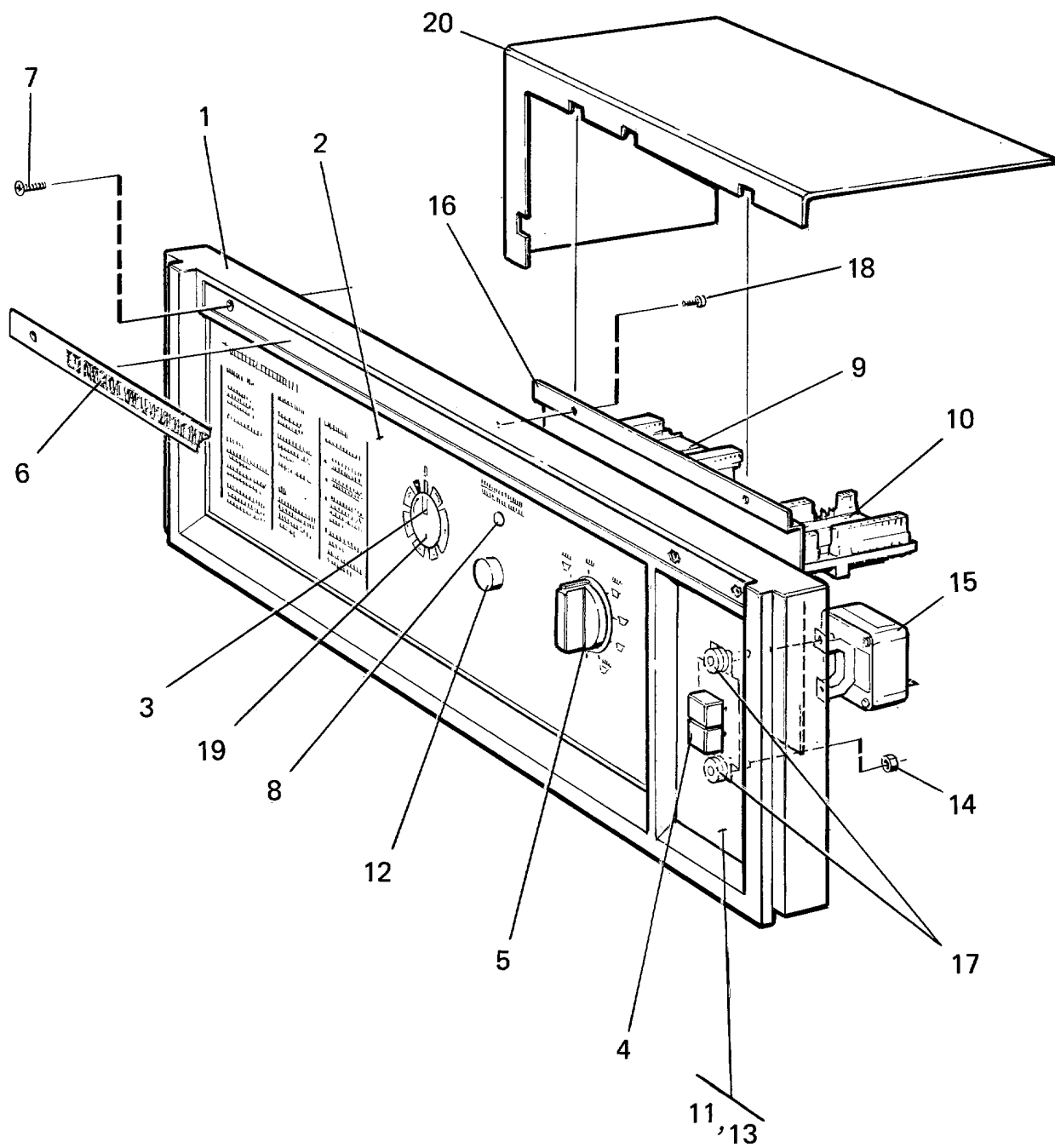
**EX-7**

**Control panel P03**

**Pupitre de commande P03**

Illustration Issue Month Year  
Schéma Issue Month Year  
**100034/4 4 12 1993**

Item Article	Qua Qua	Art.No Réf. article	Description	Description	Info Info	Notes Remarques
<b>1</b>	1	<b>472 8973-01</b>	Control panel	Pupitre de commande	1	Graphite grey
<b>2</b>	1	<b>471 4799-40</b>	User instructions	Instruction de fonctionnement	1	P03
	1	<b>471 4940-10</b>	Panel sign	Voyant du tableau	1	PO3 WITH COIN-METER -87/2659
<b>3</b>	1	<b>472 6082-01</b>	Pointer	Indicateur	3	
<b>4</b>	1	<b>471 9619-41</b>	Pushbutton pad	Rang bouton-poussoir	1,2	2-BUTTONS
	1	<b>471 4654-59</b>	Pushbutton pad	Rang bouton-poussoir	1,2	1-BUTTON, P03, W. COIN -87/2659
<b>5</b>	1	<b>438 0076-01</b>	Knob	Bouton	1,2	Complete
<b>6</b>	1	<b>471 7639-59</b>			3	WASCOMAT EXTRACT-O- MATIC EX-
<b>7</b>	2	<b>725 6333-42</b>	Screw	Vis	3	MF6S 5X25
<b>8</b>	1	<b>763 1102-03</b>	Pilot lamp	Lampe témoin	1,2	120V
<b>9</b>	1	<b>471 8970-02</b>	Program mechanism	Minuterie	1,2	120V P03
<b>10</b>	1	<b>471 9631-01</b>	Rotary switch	Commutateur rotatif	1,2	P03
<b>11</b>	1	<b>472 8770-01</b>	Cover	Couvercle	3	Graphite grey
<b>12</b>						Not used
<b>13</b>	1	<b>472 8764-01</b>	Plate	Plaque	3	
<b>14</b>	4	<b>471 8317-02</b>	Screw	Vis	3	
<b>15</b>	1	<b>438 0040-01</b>	Safety glass	Verre de sécurité	3	WITH COIN
<b>16</b>	1	<b>472 9715-01</b>	Cover	Couvercle	3	





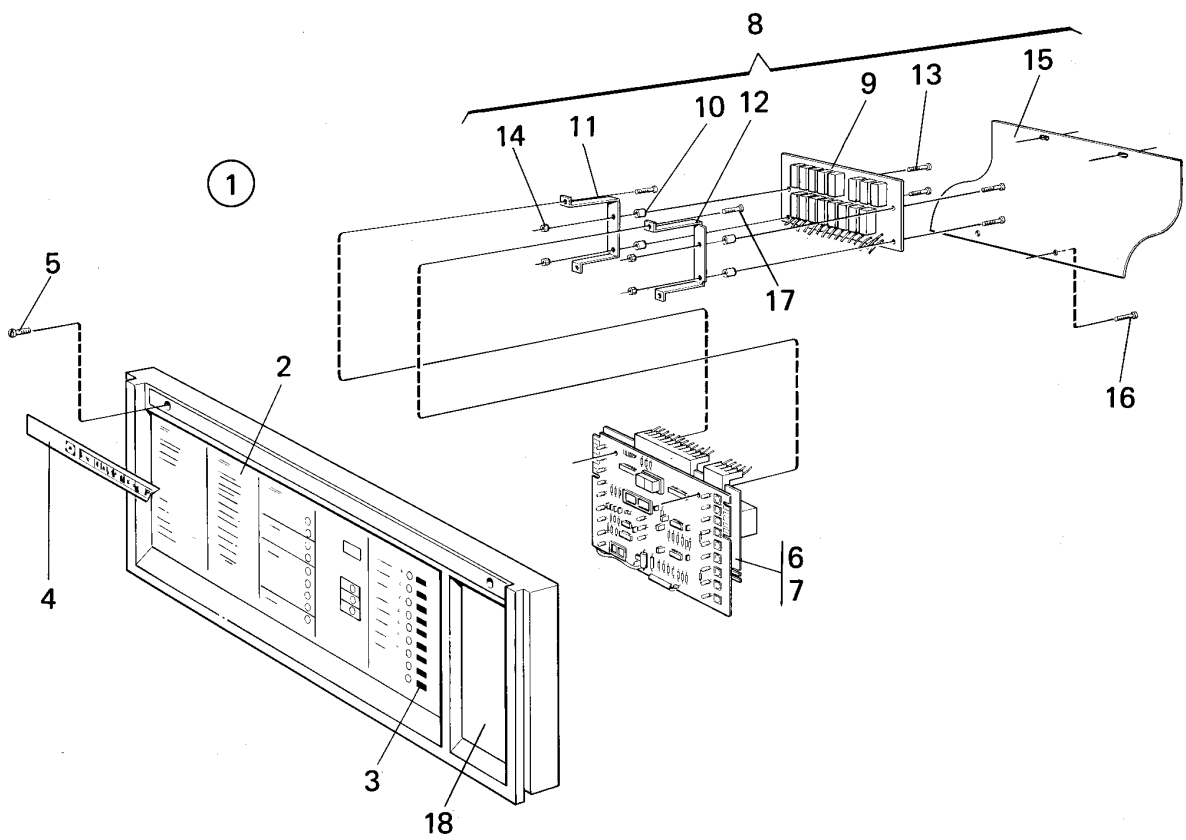
**EX-7**

**Control panel P03**

**Pupitre de commande P03**

Illustration Issue Month Year  
Schéma Issue Month Year  
**100180/4 5 11 1994**

Item Article	Qua Qua	Art.No Réf. article	Description	Description	Info Info	Notes Remarques
<b>1</b>	1	<b>472 8973-01</b>	Control panel	Pupitre de commande	1	Graphite grey
<b>2</b>	1	<b>471 4949-01</b>	User instructions	Instruction de fonctionnement	1	P03M
	1	<b>471 4949-02</b>	User instructions	Instruction de fonctionnement	1	P03
<b>3</b>	1	<b>472 6082-01</b>	Pointer	Indicateur	3	
<b>4</b>	1	<b>471 9619-41</b>	Pushbutton pad	Rang bouton-poussoir	1,2	2-BUTTONS
<b>5</b>	1	<b>438 0076-01</b>	Knob	Bouton	1,2	Complete
<b>6</b>	1	<b>471 7639-59</b>			3	WASCOMAT EXTRACT-O- MATIC EX-
<b>7</b>	2	<b>725 6333-42</b>	Screw	Vis	3	MF6S 5X25
<b>8</b>	1	<b>763 1102-03</b>	Pilot lamp	Lampe témoin	1,2	120V -93/42320
	1	<b>763 1101-03</b>	Pilot lamp	Lampe témoin	1,2	220V -93/42320
	1	<b>471 9652-01</b>	Pilot lamp	Lampe témoin	1,2	110V 93/42321-
	1	<b>471 9652-02</b>	Pilot lamp	Lampe témoin	1,2	230V 93/42321-
<b>9</b>	1	<b>471 8975-02</b>	Program mechanism	Minuterie	1,2	120V 60Hz -93/42320
	1	<b>471 8975-09</b>	Program mechanism	Minuterie	1,2	230V 60Hz 93/42321-
	1	<b>471 8975-07</b>	Program mechanism	Minuterie	1,2	110V 60Hz 93/42321-
<b>10</b>	1	<b>471 9631-01</b>	Rotary switch	Commutateur rotatif	1,2	
<b>11</b>	1	<b>472 8916-01</b>	Cover	Couvercle	3	
<b>12</b>						Not used
<b>13</b>	1	<b>472 8922-01</b>	Sign	Signe	3	
<b>14</b>	2	<b>731 2312-01</b>	Nut	Écrou	3	M4
<b>15</b>						Not used
<b>16</b>	1	<b>472 8764-01</b>	Plate	Plaque	3	
<b>17</b>	4	<b>471 5080-02</b>	Spacer	Entretoise	3	
<b>18</b>	4	<b>471 8317-02</b>	Screw	Vis	3	
<b>19</b>	1	<b>438 0040-01</b>	Safety glass	Verre de sécurité	3	WITH COIN
<b>20</b>	1	<b>472 9715-01</b>	Cover	Couvercle	3	



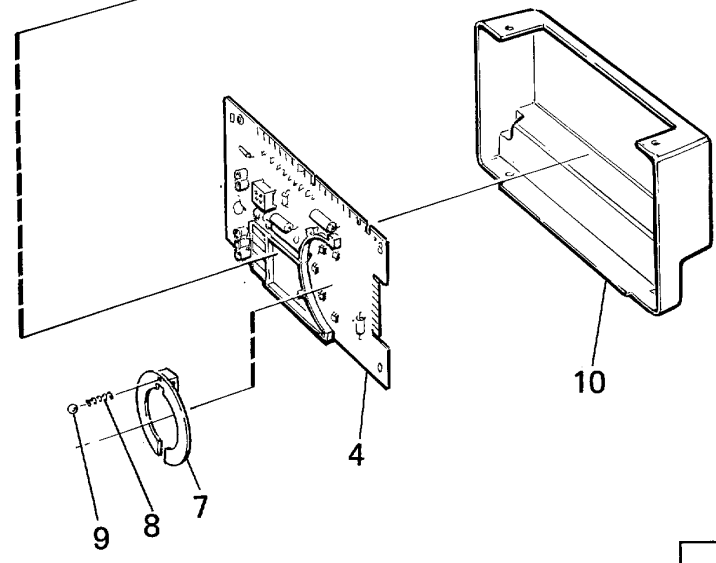
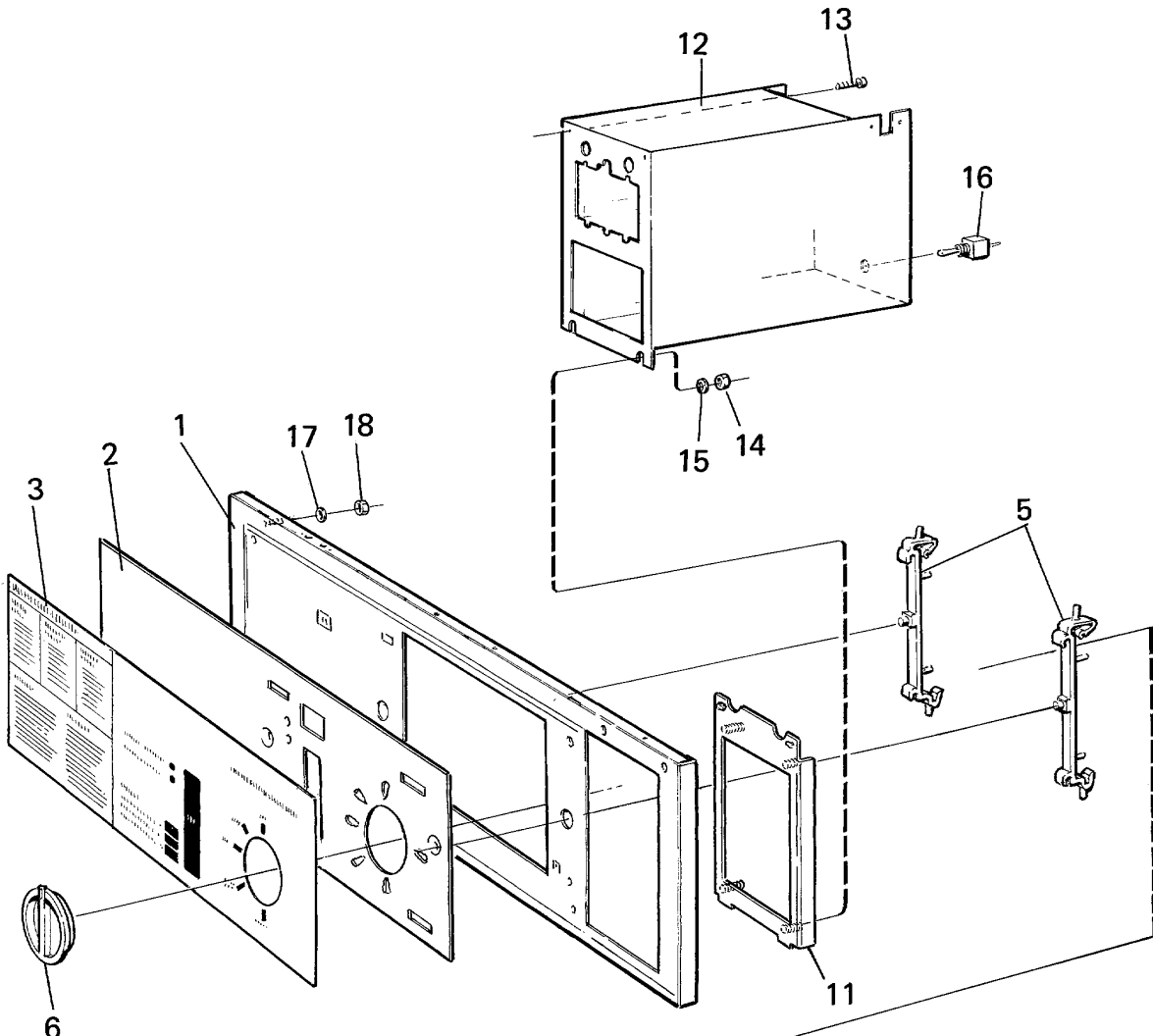
**EX-7 HI-TEK**

**Control panel PE03**

**Tableau de commande PE03**

Illustration Issue Month Year  
Schéma Issue Month Year  
**100035/1 4 12 1993**

Item Article	Qua Qua	Art.No Réf. article	Description	Description	Info Info	Notes Remarques
<b>1</b>	1	<b>472 9900-20</b>	Control panel	Pupitre de commande	1	Graphite grey -8902/12722
<b>2</b>	1	<b>471 4937-01</b>	Panel sign	Voyant du tableau	1	USA PE03 WITH COIN-METER
	1	<b>471 4937-02</b>	Panel sign	Voyant du tableau	1	USA PE03 WITHOUT COIN-METER
<b>3</b>	1	<b>472 8777-01</b>	Pushbutton pad	Rang bouton-poussoir	1	9-BUTTONS
	1	<b>471 4654-58</b>	Pushbutton pad	Rang bouton-poussoir	1	5-BUTTONS
<b>4</b>	1	<b>471 7639-60</b>			3	WASCOMATIC EXTRACT-O-MATIC EX-7 HI-TEK
<b>5</b>	2	<b>725 6333-42</b>	Screw	Vis	3	MF6S 5X25
<b>6</b>	1	<b>471 8964-02</b>	Printed circuit board	Circuit imprimé	1,2	
<b>7</b>	1		Program memory	Mémoire programme	1,2	
<b>8</b>	1	<b>471 8971-02</b>	RC-card	Carte RC	1,2	Complete
<b>9</b>	1	<b>471 4934-01</b>	•RC-card	•Carte RC	1,2	Complete
<b>10</b>	4	<b>471 5080-02</b>	•Spacer	•Entretoise	3	
<b>11</b>	1	<b>472 8805-01</b>	•Bracket	•Pupitre	3	Right
<b>12</b>	1	<b>472 8805-02</b>	•Bracket	•Pupitre	3	Left
<b>13</b>	4	<b>724 1228-01</b>	•Screw	•Vis	3	M3X16
<b>14</b>	4	<b>731 2310-01</b>	•Nut	•Écrou	3	M3
<b>15</b>	1	<b>472 8807-01</b>	Cover	Couvercle	3	
<b>16</b>	2	<b>724 1220-01</b>	Screw	Vis	3	
<b>17</b>	2	<b>724 1228-01</b>	Screw	Vis	3	M3X16
<b>18</b>	1	<b>472 8770-01</b>	Cover	Couvercle	3	Graphite grey



100918

Issue	Month	Year
01	02	91

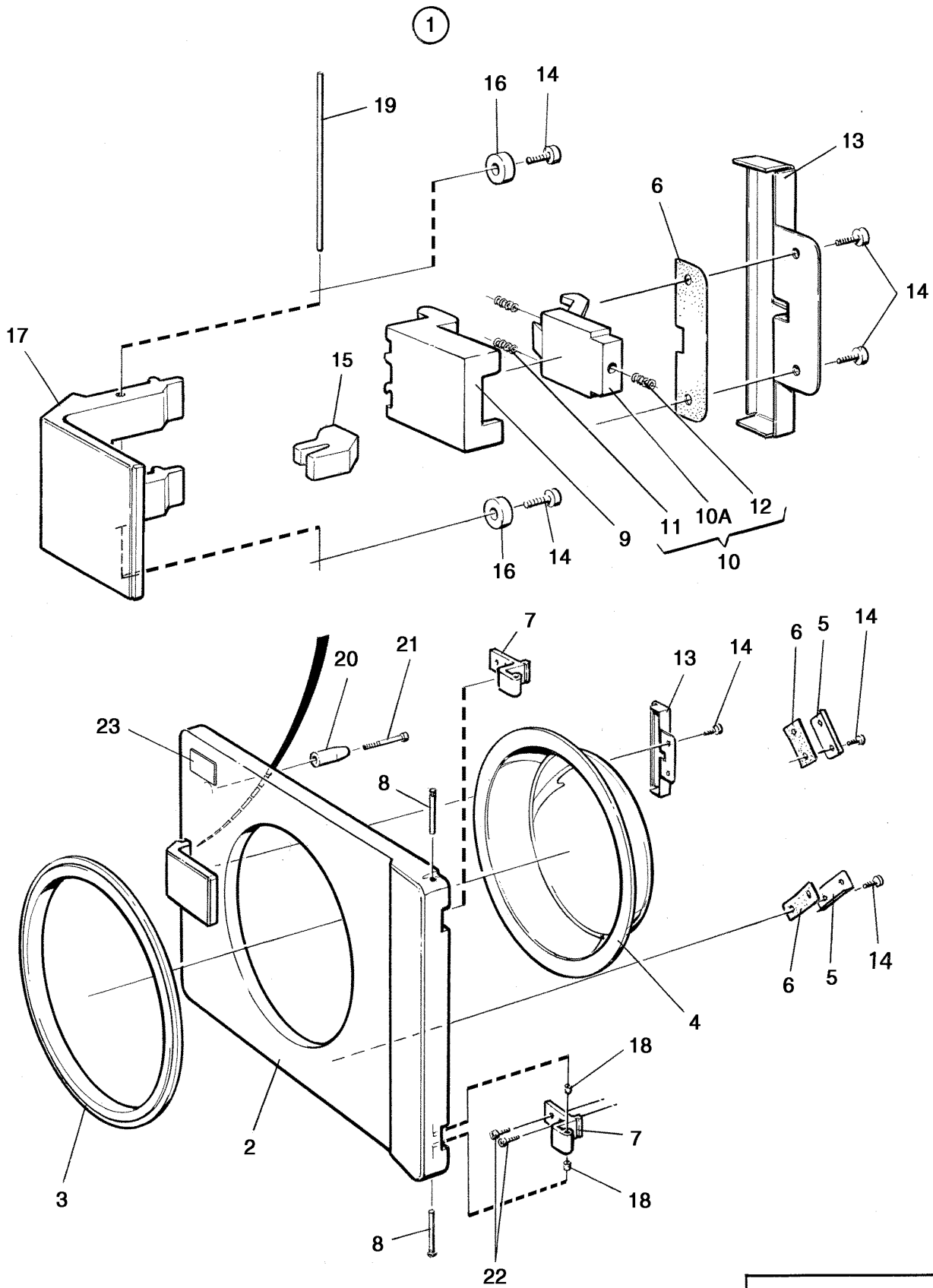
**EX-7 HI-TEK 90/24003-**

**Control panel**

**Pignon arrière avec tambour intérieur**

Illustration	Issue	Month	Year
Schéma	Issue	Month	Year
<b>100918</b>	<b>4</b>	<b>10</b>	<b>1995</b>

Item Article	Qua Qua	Art.No Réf. article	Description	Description	Info Info	Notes Remarques
<b>1</b>	1	<b>472 9745-01</b>	Control panel	Pupitre de commande	3	Black
<b>2</b>	1	<b>472 9746-01</b>	Mounting plate	Plaque de montage	3	
<b>3</b>	1	<b>472 5750-02</b>	Panel sign	Voyant du tableau	1	English WITH AND WITHOUT COIN-METER
<b>4</b>	1	<b>471 8964-06</b>	Printed circuit board	Circuit imprimé	1,2	
<b>5</b>	2	<b>438 0072-01</b>	Bracket	Pièce de retenue	3	
<b>6</b>	1	<b>471 7954-01</b>	Knob	Bouton	1,2	
<b>7</b>	1	<b>471 7953-01</b>	Locking ring	Jonc de verrouillage	3	
<b>8</b>	1	<b>471 7803-13</b>	Pressure spring	Ressort de pression	3	
<b>9</b>	1	<b>471 7403-01</b>	Ball	Bille	3	
<b>10</b>	1	<b>438 0071-01</b>	Door locking device	Serrure de porte	3	
<b>11</b>	1	<b>472 9720-02</b>	Cover	Couvercle	3	
<b>12</b>	1	<b>438 4088-01</b>	Coin box	Boite à jetons	3	
<b>13</b>	2	<b>725 2331-51</b>	Screw	Vis	3	M5X20
<b>14</b>	6	<b>732 2114-01</b>	Locking nut	Contre-écrou	3	M5
<b>15</b>	4	<b>734 1146-09</b>	Washer	Rondelle	3	BRB 5,3X10
<b>16</b>	1	<b>471 9629-02</b>	Switch	Commutateur	1,2	
<b>17</b>	8	<b>734 1808-51</b>	Washer	Rondelle	3	NB 5X16
<b>18</b>	6	<b>732 2114-01</b>	Locking nut	Contre-écrou	3	M5



100036

Issue	Month	Year
06	04	01

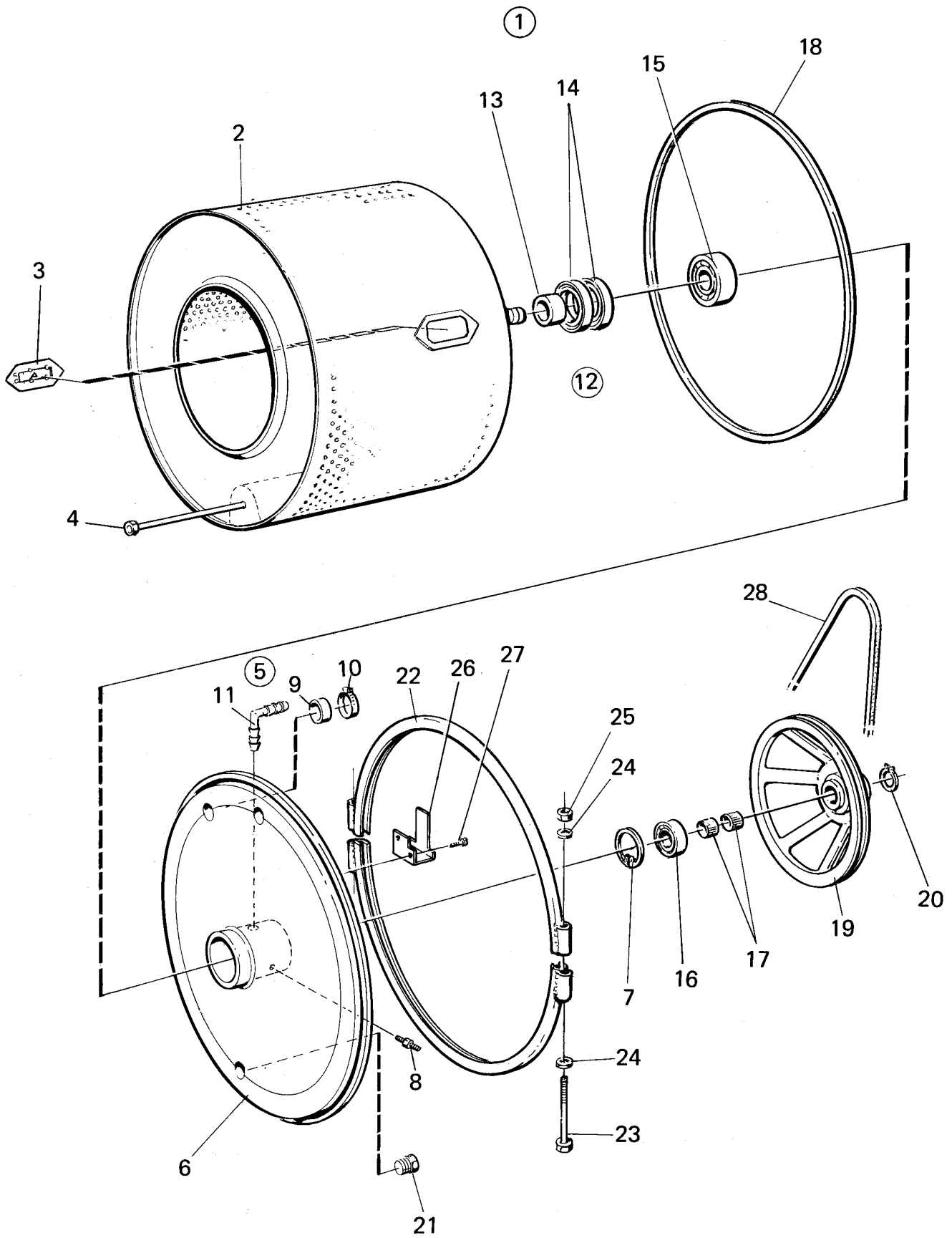
**EX-7,EX-7 HI-TEK**

**Door**

**Plaque**

Illustration Issue Month Year  
Schéma Issue Month Year  
**100036/6 8 4 2001**

Item Article	Qua Qua	Art.No Réf. article	Description	Description	Info Info	Notes Remarques
1	1	472 8755-01	Door	Plaque		Grey Complete
2	1	472 8725-01	Door	Plaque	1	Grey
3	1	472 8731-01	Finger ring	Anneau garniture	3	Graphite grey
4	1	471 2408-08	Door glass	Vitre de la porte	1,2	
5	2	472 8856-01	Bracket	Pièce de retenue	3	
6	3	472 8857-01	Seal	Joint	1	
7	2	472 8726-01	Hinged joint	Assemblage articulé	1	
8	2	472 8762-01	Shaft	Arbre	1	
9	1	472 8728-01	Locking component	Pièce verrouillage	3	
10	1	471 6700-07	Spare parts kit	Kit pièces rechange	1	CATCH AND SPRINGS
10A	1	472 8991-01	•Catch	•Attache	1	
11	2	737 2297-40	•Pressure spring	•Ressort de pression	1	
12	1	471 7803-14	•Pressure spring	•Ressort de pression	1	
13	1	472 8811-01	Bracket	Support de montage	3	
14	8	724 1289-92	Screw	Vis	3	M4X10
15	1	472 9775-01	Rubber cushion	Butoir en caoutchouc	1	
16	2	472 8734-01	Capsule	Capsule	3	
17	1	472 8729-01	Handle	Poignée	1	
18	4	438 4062-01	Bushing	Douille	3	
19	1	471 7903-04			3	
20	1	472 8786-01	Guide	Guide	3	
21	1	725 5337-01	Screw	Vis	3	MC6S 5X35
22	4	471 8311-00	Screw	Vis	3	M6SFTT 5X16
23	1	471 7651-31	Warning sign	Signal avertissement	3	Swedish
	1	471 7651-32	Warning sign	Signal avertissement	3	English
	1	471 7651-33	Warning sign	Signal avertissement	3	German
	1	471 7651-34	Warning sign	Signal avertissement	3	French
	1	471 7651-35	Warning sign	Signal avertissement	3	Italian
	1	471 7651-36	Warning sign	Signal avertissement	3	Spanish
	1	471 7651-37	Warning sign	Signal avertissement	3	Finnish
	1	471 7651-38	Warning sign	Signal avertissement	3	Danish
	1	471 7651-39	Warning sign	Signal avertissement	3	Norwegian
	1	471 7651-40	Warning sign	Signal avertissement	3	Russian
	1	471 7651-81	Warning sign	Signal avertissement	3	Swedish MP
	1	471 7651-82	Warning sign	Signal avertissement	3	English MP
	1	471 7651-83	Warning sign	Signal avertissement	3	Italian MP
	1	471 7651-84	Warning sign	Signal avertissement	3	French MP
	1	471 7651-85	Warning sign	Signal avertissement	3	Spanish MP
	1	471 7651-86	Warning sign	Signal avertissement	3	Finnish MP
	1	471 7651-87	Warning sign	Signal avertissement	3	Russian MP
	1	471 7651-88	Warning sign	Signal avertissement	3	Danish MP
	1	471 7651-89	Warning sign	Signal avertissement	3	Norwegian MP
	1	471 7651-90	Warning sign	Signal avertissement	3	German MP





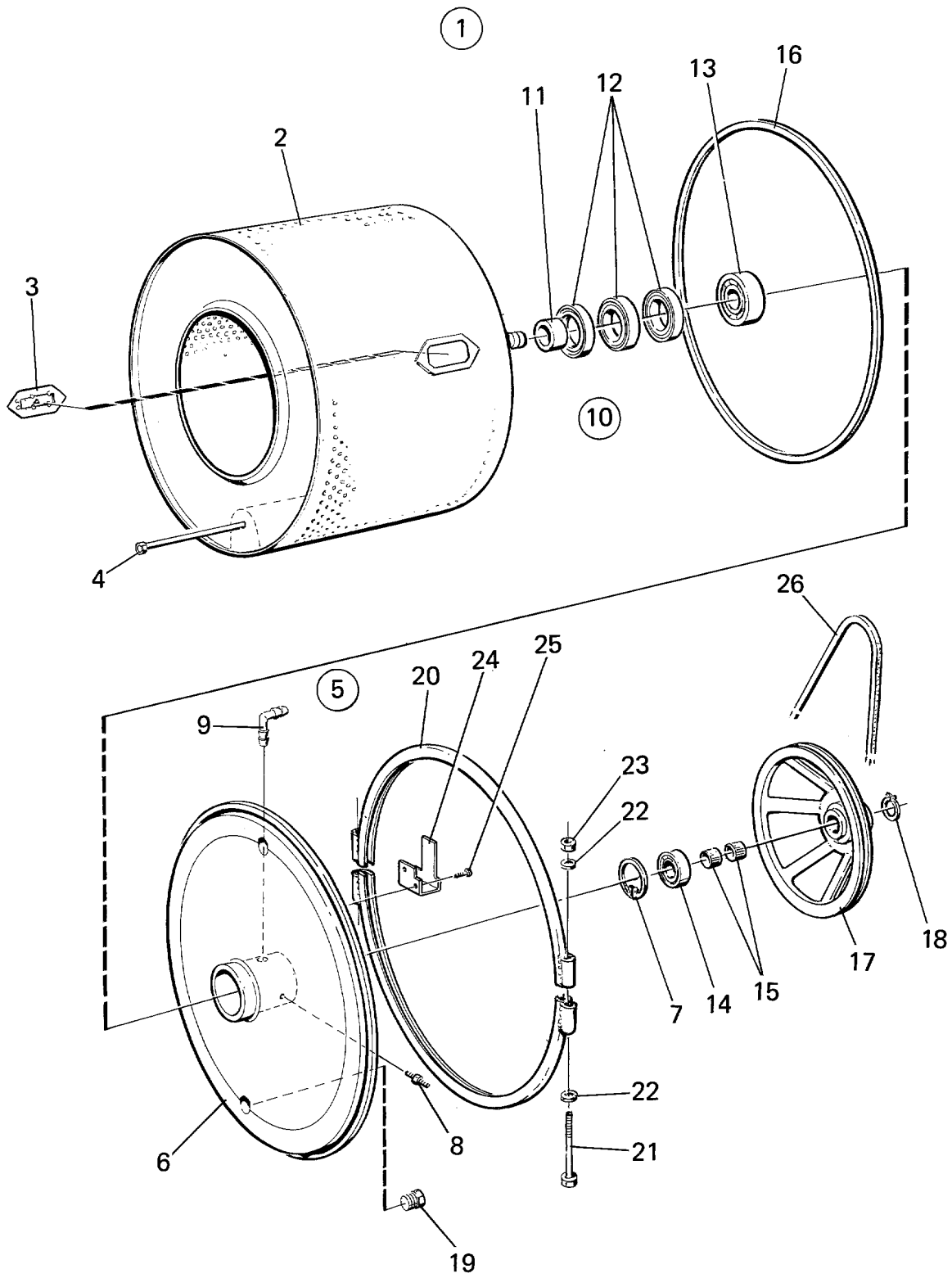
**EX-7 HI-TEK,EX-7 -93/43932**

**Back plate with inner drum, bearings and pulley**

**Pignon arrière avec tambour intérieur & poulie**

Illustration Issue Month Year  
Schéma Issue Month Year  
**100037/8 12 2 1997**

Item Article	Quantity Quantité	Art.No Réf. article	Description	Description	Info Info	Notes Remarques
		EX-7				
		EX-7 HI-TEK				
1	1	472 9773-04	Drum, rear gable	Tambour, pignon arrière	1	COMPL. HOT WATER
	1	472 9773-03	Drum, rear gable	Tambour, pignon arrière	1	COMPL. STEAM HEATED
2	1	472 9772-01	•Inner drum	•Intérieur du tambour	1	
3	1	472 9768-01	••Door	••Plaque	1	
5	1	472 9901-41	•Back plate	•Pignon arrière	1	Complete
	1	472 9901-40	•Back plate	•Pignon arrière	1	Complete
6	1	472 9770-02	••Back plate	••Pignon arrière	1	
	1	472 9770-01	••Back plate	••Pignon arrière	1	
8	1	471 2401-52	••Nipple	••Raccord	3	
9	1	471 2032-39	••Hood	••Capot	3	
10	1	736 2834-51	••Hose clamp	••Attache flexible	3	Ø38-48
11	2	471 8628-52	••Pipe	••Tube	3	
12	1	472 9901-38	••Repair kit	••Kit reconditionnement	1,2	
13	1		•••Bushing	•••Douille		
14	2		•••Sealing ring	•••Bague d'étanchéité		
15	1		•••Bearing	•••Coussinet		
16	1		•••Bearing	•••Coussinet		
17	2	471 8550-01	•••Ring	•••Anneau	1,2	
18	1	471 2451-79	•••Rubber strip	•••Joint caoutchouc	1	
19	1	472 8719-02	•••Pulley	•••Poulie	1	
20	1	735 3130-00	••Circlip	••Attache en forme C	3	SGA 30
21	1	471 9000-59	Plug	Fiche	3	
22	2	471 2075-49	Tension strap	Extenseur	3	
23	2	471 9222-59	Screw	Vis	3	M8X140
24	4	471 8502-14	Washer	Rondelle	3	BRB 8,4X17
25	2	732 2118-01	Locking nut	Contre-écrou	3	M8
26	1	472 8809-01	Hook	Crochet	3	
27	2	725 2366-61	Screw	Vis	3	M6SF 6X12
28	1	471 7701-12	V-belt	Courroie trapézoïdale	1,2	



**EX-7 HI-TEK,EX-7 93/43933-**

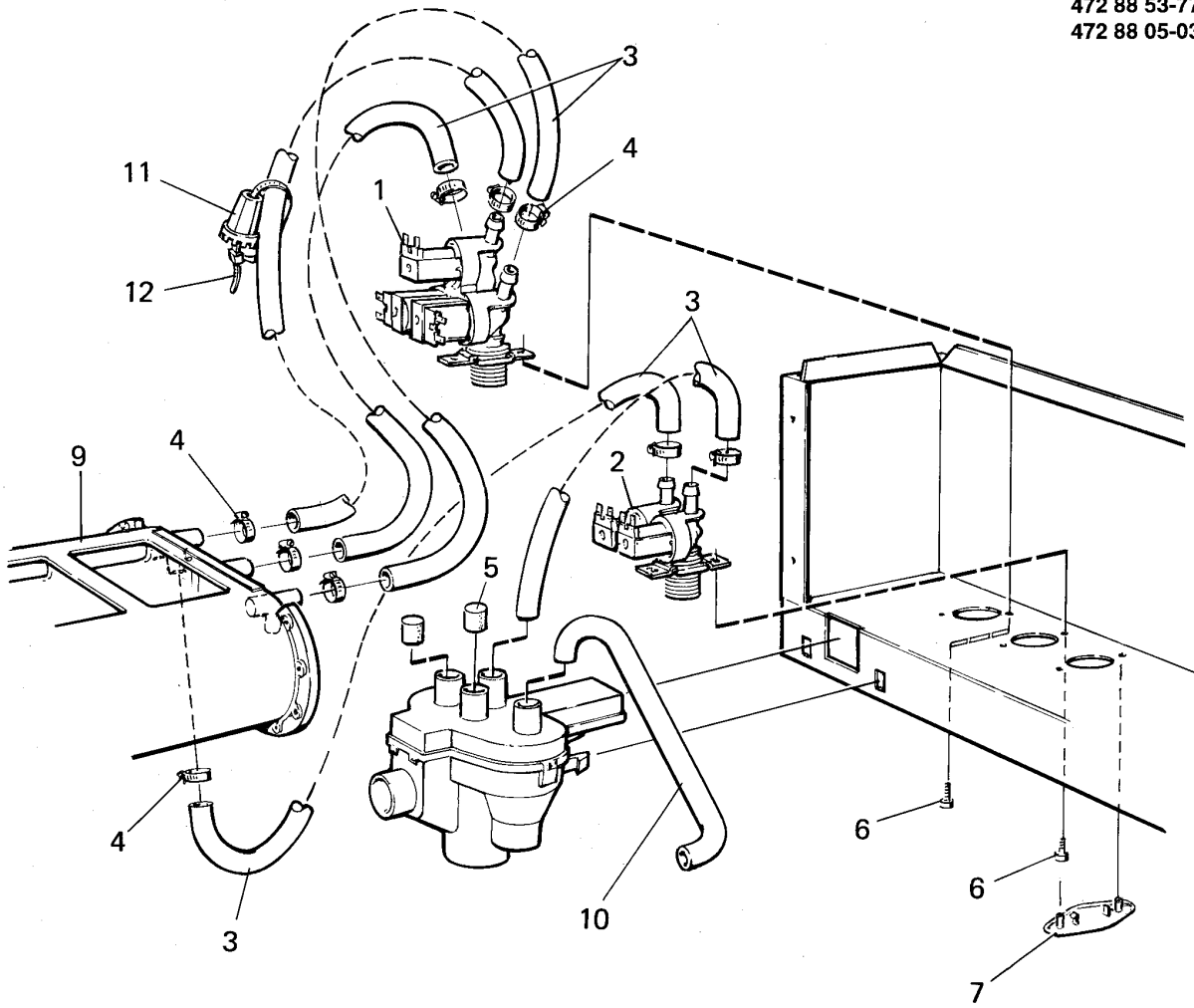
**Back plate with inner drum**

**Pignon arrière avec tambour intérieur**

Illustration Issue Month Year  
Schéma Issue Month Year  
**101109/1 2 1 2004**

Item Article	Quantity Quantité	Art.No Réf. article	Description	Description	Info Info	Notes Remarques
		EX-7				
		EX-7 HI-TEK				
1	1	1 438 5367-06	Drum, rear gable	Tambour, pignon arrière	1	EL, HW Complete
	1	1 438 6028-03	Drum, rear gable	Tambour, pignon arrière	1	Complete
2	1	1 472 9772-02	•Inner drum	•Intérieur du tambour	1	
3	1	1 472 9768-01	••Door	••Plaque	1	
4						
5	1	1 472 9901-41	•Back plate	•Pignon arrière	1	Complete
	1	1 472 9901-40	•Back plate	•Pignon arrière	1	
6	1	1 438 0445-01	••Back plate	••Pignon arrière	3	
	1	1 438 0445-02	••Back plate	••Pignon arrière	3	
7	1	1 735 3148-10	••C-clamp	••Presse à main	3	SGH62
8	1	1 471 2401-52	••Nipple	••Raccord	3	
9	2	2 471 8628-52	••Pipe	••Tube	3	
10	1	1 472 9901-39	••Repair kit	••Kit reconditionnement	1,2	
11	1	1	•••Bushing	•••Douille		
12	3	3	•••Sealing ring	•••Bague d'étanchéité		
13	1	1	•••Bearing	•••Coussinet		
14	1	1	•••Bearing	•••Coussinet		
15	2	2 471 8550-01	•••Ring	•••Anneau	1	
16	1	1 471 2451-79	•••Rubber strip	•••Joint caoutchouc	1	
17	1	1 472 8719-02	•••Pulley	•••Poulie	1	
18	1	1 735 3130-00	••Circlip	••Attache en forme C	3	SGA 30
19	1	1 471 9000-59	Plug	Fiche	3	
20	2	2 471 2075-49	Tension strap	Extenseur	3	
21	2	2 471 9222-59	Screw	Vis	3	M8X140
22	4	4 471 8502-14	Washer	Rondelle	3	BRB 8,4X17
23	2	2 732 2118-01	Locking nut	Contre-écrou	3	M8
24	1	1 472 8809-01	Hook	Crochet	3	
25	2	2 725 2366-61	Screw	Vis	3	M6SF 6X12
26	1	1 471 7701-12	V-belt	Courroie trapézoïdale	1,2	

472 88 53-02  
 472 88 53-07  
 472 88 53-12  
 472 88 53-17  
 472 88 53-23  
 472 88 53-24  
 472 88 53-25  
 472 88 53-26  
 472 88 53-27  
 472 88 53-30  
 472 88 53-76  
 472 88 53-77  
 472 88 05-03



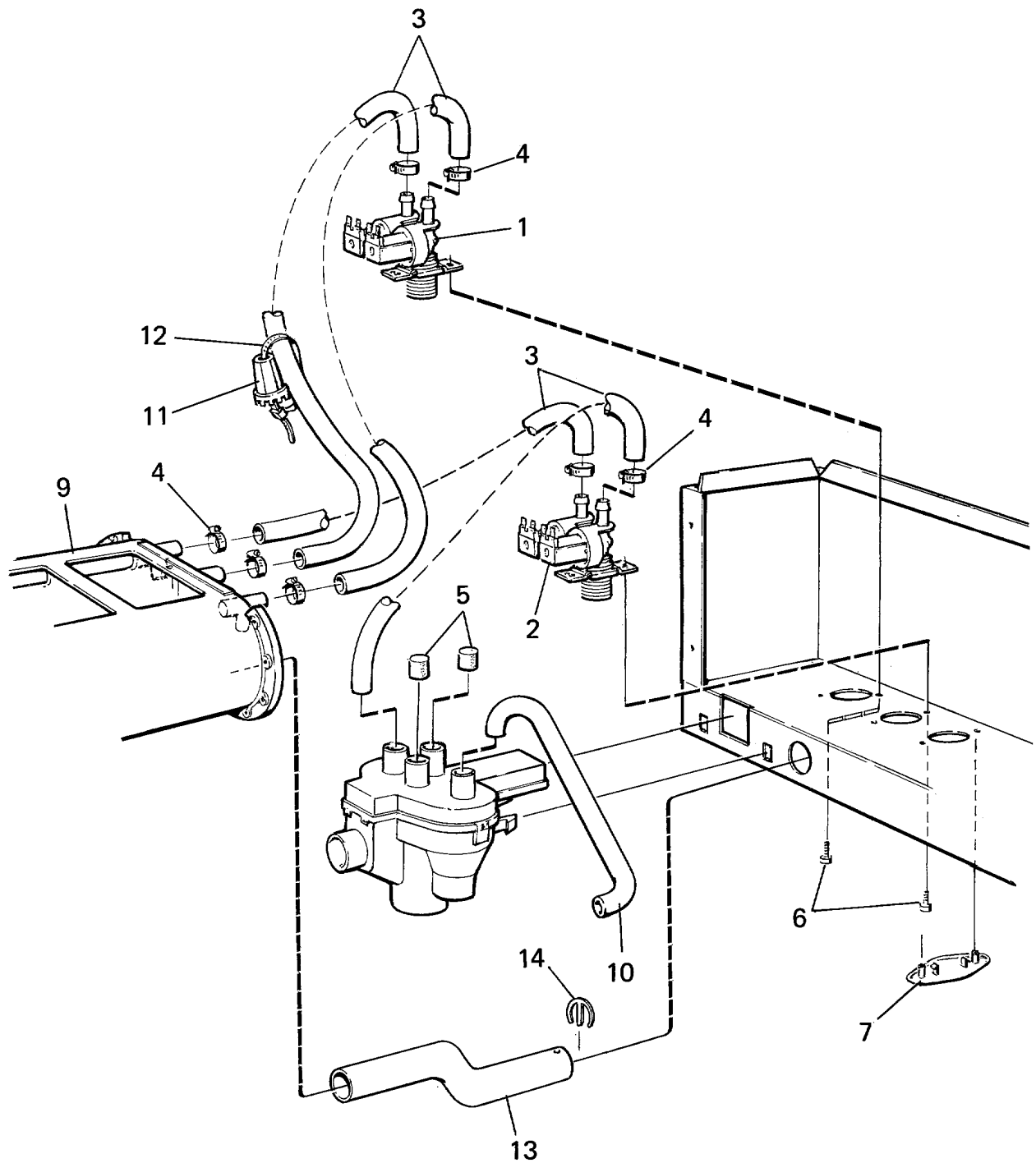
**EX-7 -90/24002**

**P03 connection for cold water**

**P03 raccord eau froide**

Illustration Issue Month Year  
Schéma Issue Month Year  
**100039 3 4 1995**

Item Article	Qua Qua	Art.No Réf. article	Description	Description	Info Info	Notes Remarques
1	1	471 8236-04	Valve	Soupape	1,2	120V 60Hz 3-way See group US8113
2	2	471 8235-07	Valve	Soupape	1,2	2-WAY, 120V 60Hz See group US8111
3	RQ	877 5211-08	Hose	Flexible	1	Per 1 m Per 1 M
4	9	736 2816-51	Hose clamp	Attache flexible	3	Ø13-19
5	2	471 8175-01	Plug	Fiche	3	
6	4	724 1285-01	Screw	Vis	3	M4X6
7	1	471 2437-72	Cover plate	Plaque recouvrement	3	RXS 4,2X13
8	2	729 5342-01	Screw	Vis	3	
9	1	472 6001-55	Detergent container	Compartiment à savon	1,2	PE03 See group US8802
10	1	472 8760-01	Hose	Flexible	1	
11	1	471 4792-01	Tool	Outil	1,2	
12	1	762 9105-05	Cable strap	Serre-câble	3	



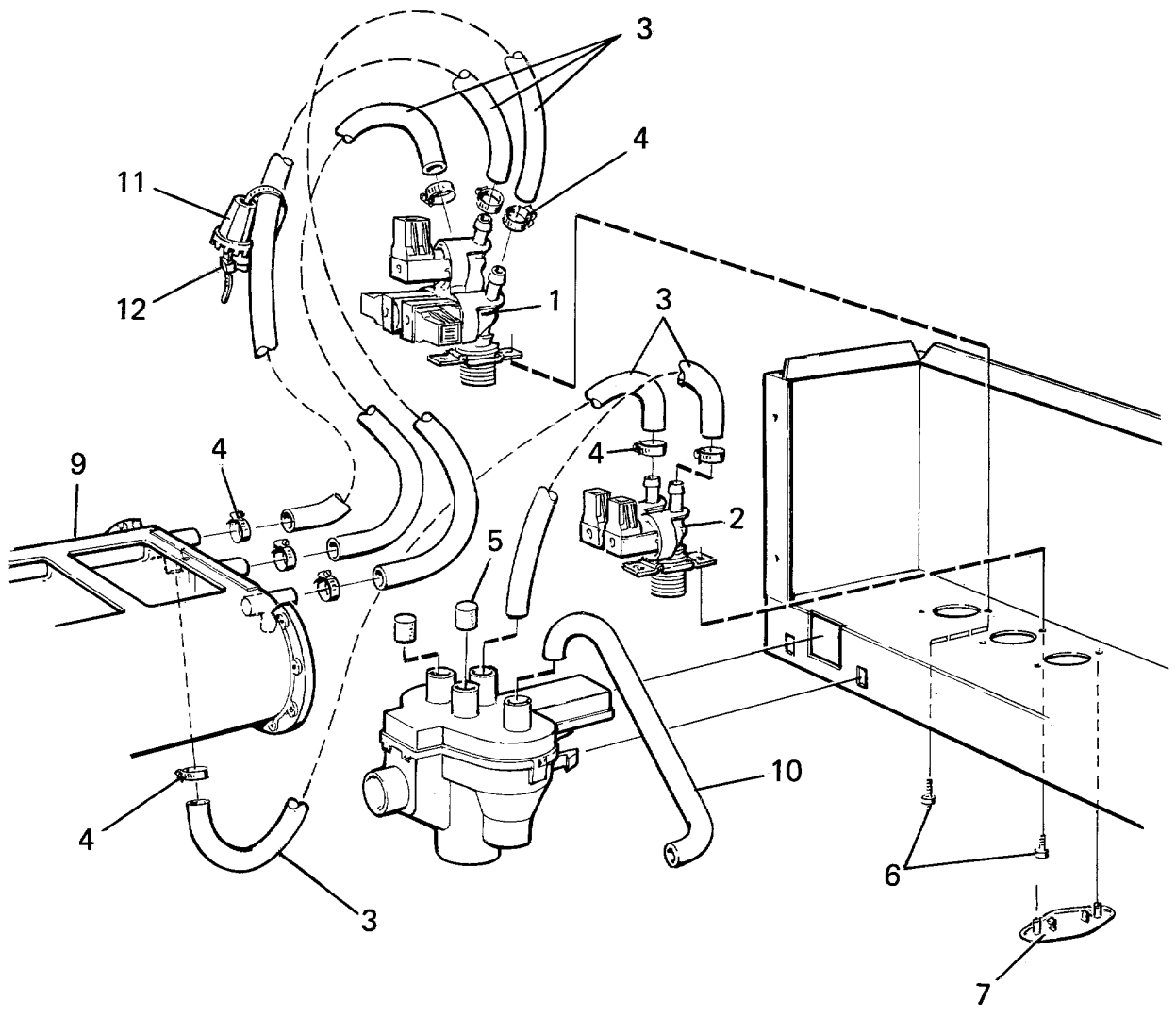
**EX-7**

**Connection for cold and hot water**

**Raccords eau chaude et eau froide**

Illustration Issue Month Year  
Schéma Issue Month Year  
**100183 4 4 1995**

Item Article	Qua Qua	Art.No Réf. article	Description	Description	Info Info	Notes Remarques
1	1	471 8235-14	Valve	Soupape	1,2	NITRIL 120V 60Hz 2-way See group US8111
2	1	471 8235-15	Valve	Soupape	1,2	NITRIL 120V 60Hz 2-way See group US8111
3	RQ	877 5211-08	Hose	Flexible	1	Per 1 m Per 1 M
4	7	736 2816-51	Hose clamp	Attache flexible	3	Ø13-19
5	2	471 8175-01	Plug	Fiche	3	
6	4	724 1285-01	Screw	Vis	3	M4X6
7	1	471 2437-72	Cover plate	Plaque recouvrement	3	RXS 4,2X13
8	2	729 5342-01	Screw	Vis	3	
9	1	472 6001-51	Detergent container	Compartiment à savon	1,2	See group US8802
10	1	472 8760-01	Hose	Flexible	1	
11	1	471 4792-01	Tool	Outil	1,2	
12	1	762 9105-05	Cable strap	Serre-câble	3	





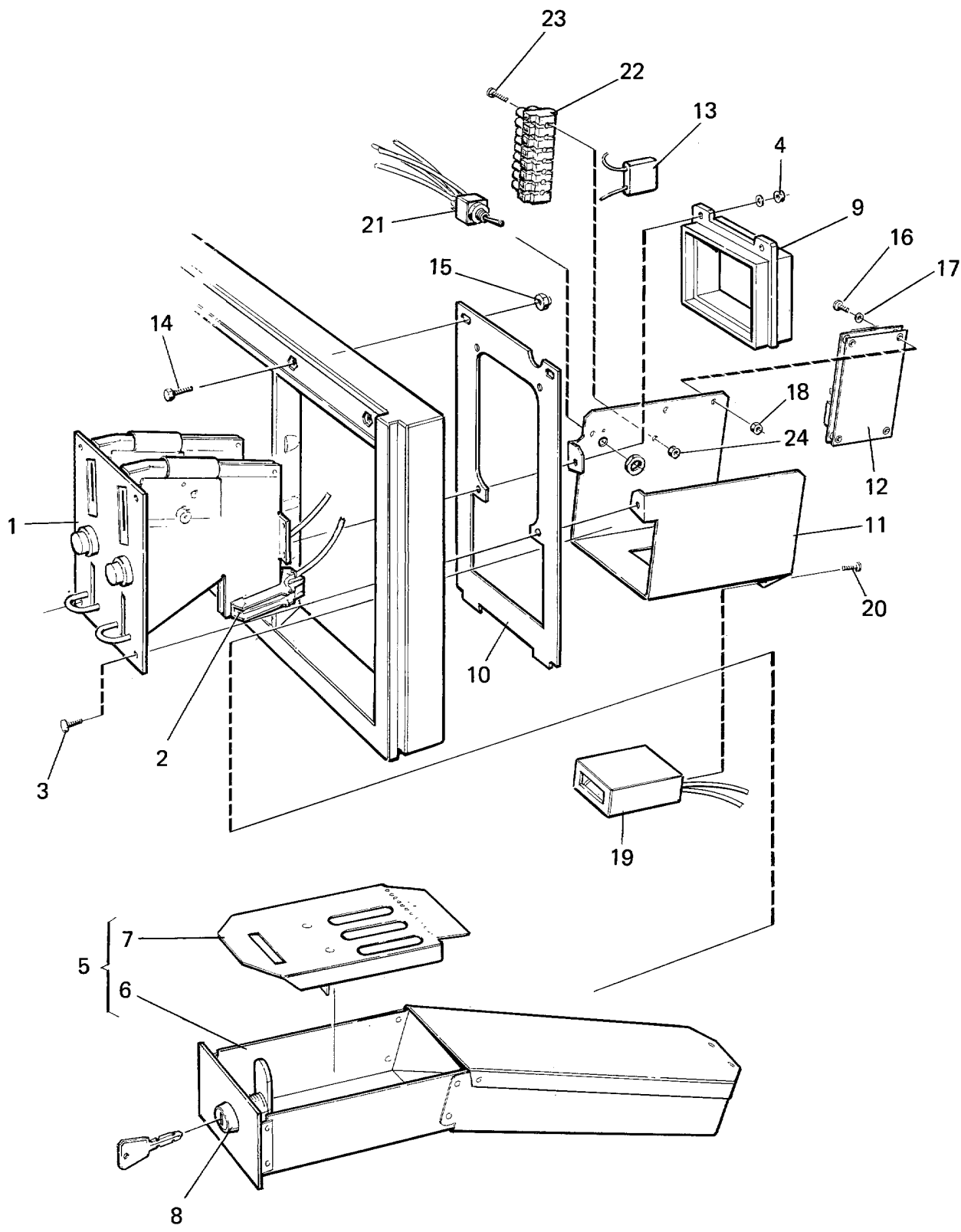
**EX-7 HI-TEK 90/24003-**

**Connection for cold and hot water**

**Raccords eau chaude et eau froide**

Illustration Issue Month Year  
Schéma Issue Month Year  
**100920 3 4 1995**

Item Article	Qua Qua	Art.No Réf. article	Description	Description	Info Info	Notes Remarques
1	1	471 8236-54	Valve	Soupape	1,2	120V 60Hz 3-way See group US8117
2	1	471 8235-57	Valve	Soupape	1,2	120V 60Hz 2-way See group US8116
3	RQ	877 5211-08	Hose	Flexible	1	Per 1 m Per 1 M
4	9	736 2816-51	Hose clamp	Attache flexible	3	Ø13-19
5	2	471 8175-01	Plug	Fiche	3	
6	4	471 8341-11	Screw	Vis	3	MRT 4X6
7	1	471 2437-72	Cover plate	Plaque recouvrement	3	RXS 4,2X13
8	2	471 8340-23	Screw	Vis	3	RTS 4,2X13
9	1	472 6001-52	Detergent container	Compartiment à savon	1,2	See group US8802
10	1	472 8760-01	Hose	Flexible	1	
11	1	471 4792-01	Tool	Outil	1,2	
12	1	762 9105-05	Cable strap	Serre-câble	3	



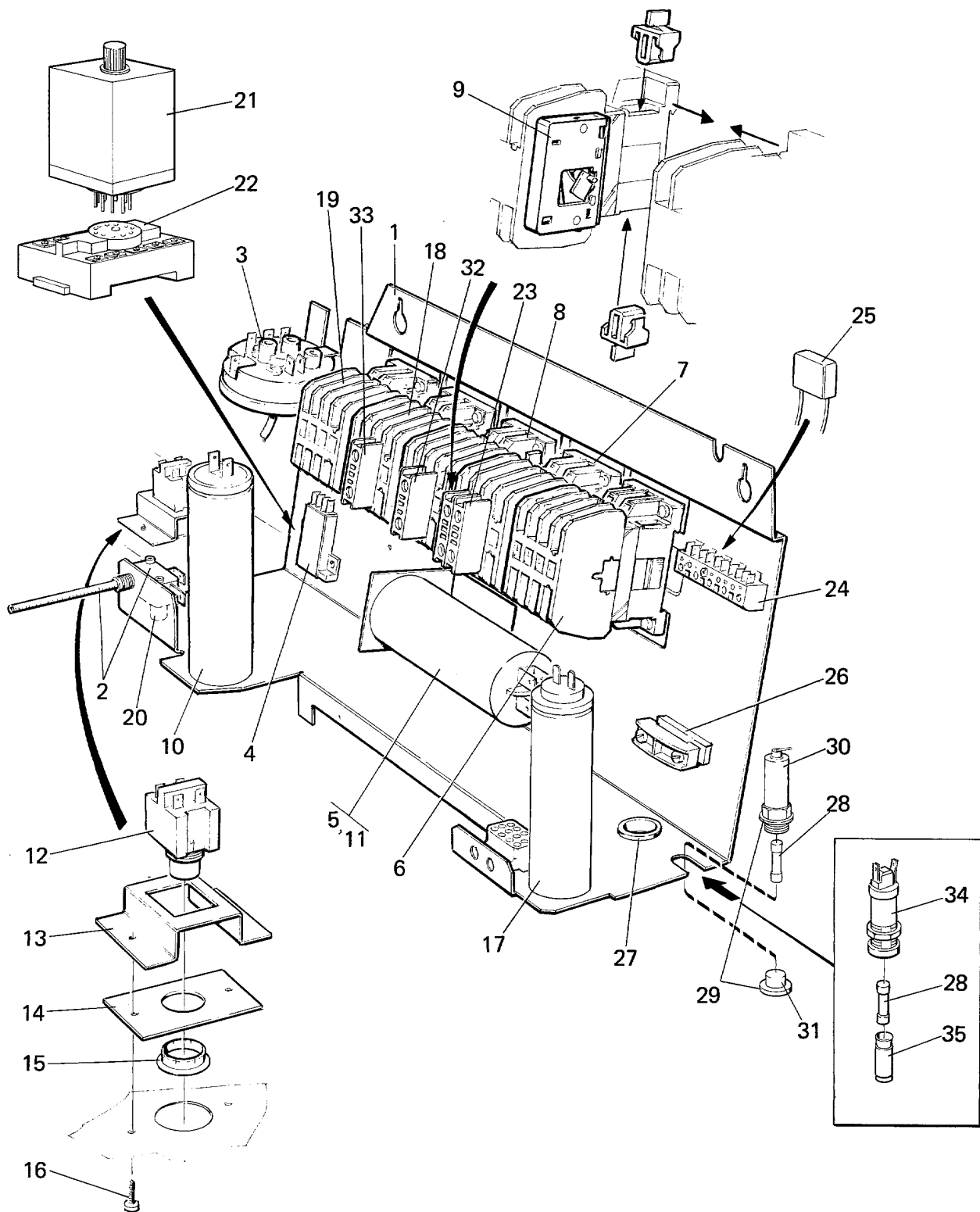
**EX-7,EX-7 HI-TEK**

**Electronic coin meter with components**

**Monnayeur électronique avec composants**

Illustration Issue Month Year  
Schéma Issue Month Year  
**100186/1 4 8 1997**

Item Article	Quantity Quantité	Art.No Réf. article	Description	Description	Info Info	Notes Remarques
	EX-7					
	EX-7 HI-TEK					
1	1	1	Coin meter	Monnayeur		
2	1	1	•Sensor	•Décteur	1,2	
3	4	4	471 8910-91 Screw	Vis	3	
4	4	4	731 2312-01 Nut	Écrou	3	M4
5	1	1	472 8865-01 Coin box	Boîtier à jetons	3	Complete
6	1	1	472 8859-01 •Coin box	•Boîtier à jetons	3	
7	1	1	472 8863-02 •Cover	•Couvercle	3	
8	1	1	471 7817-01 Lock	Serrure	1	
9	1	1	471 4596-01 Frame	Châssis	3	
10	1	1	472 8785-01 Plate	Plaque	3	
11	1	1	472 8895-01 Bracket	Pupitre	3	
12	1	1	471 8966-13 Counter	Compteur	1	120V ET-1311, 1 COIN 1 COIN 120V
13	1	1	471 9528-01 RC-protection	Protection RC	1	
14	2	2	725 2331-51 Screw	Vis	3	M5X20
15	2	2	731 2314-01 Nut	Écrou	3	M5
16	2	2	724 1226-01 Screw	Vis	3	M3X12
17	2	2	734 1124-01 Washer	Rondelle	3	BRB 3X7
18	2	2	731 2310-01 Nut	Écrou	3	M3
19						Not used
20	2	2	724 1218-01 Screw	Vis	3	MRX 3X4
21	1	1	471 4876-06 Switch	Commutateur	1,2	WITH CABLES
22	1	1	762 7207-57 Terminal connection	Bloc de connexion	3	
23	2	2	724 1226-01 Screw	Vis	3	M3X12
24	2	2	731 2310-01 Nut	Écrou	3	M3



100187

Issue	Month	Year
02	01	89

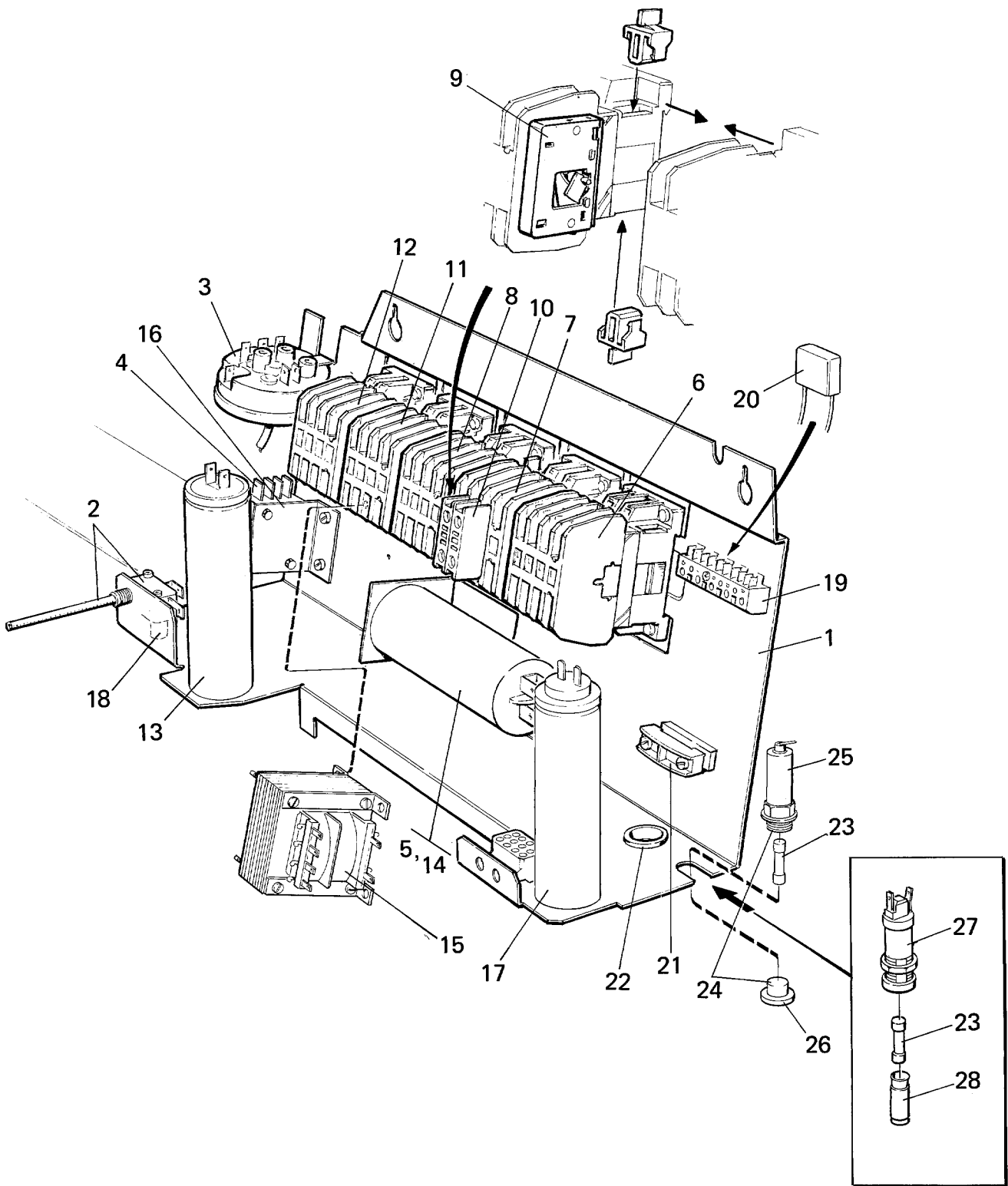
**EX-7**

**Electrical components, component panel P03**

**Composants électriques, plaques P03**

Illustration Issue Month Year  
Schéma Issue Month Year  
**100187 9 1 2003**

Item Article	Qua Qua	Art.No Réf. article	Description	Description	Info Info	Notes Remarques
1	1	472 8763-01	Component panel	Panneau composants	3	-89/12187
	1	472 8984-01	Component panel	Panneau composants	3	89/12188-
2	1	472 8774-02	Out of balance switch	Commutateur asymétrique	1,2	Complete
	1	472 9904-86	Micro switch	Micro-interrupteur	1	
3	1	471 8860-63	Level control	Réglage de niveau		P03
4	1	472 9903-99	Delay unit	Bascule de retard	1,2	
5						Not used
6						Not used
7	1	767 5103-09	Contacteur	Relais	1,2	110V 60Hz P03 110V 12 AO1
8	1	767 5103-09	Contacteur	Relais	1,2	110V 60Hz P03 110V 12 AO1
9	1	767 5101-91	Interlock	Verrouillage	1,2	
10	1	471 9041-22	Capacitor	Condensateur	1,2	30µF 1AC P03
11	1	471 9201-72	Capacitor	Condensateur	1,2	110V 40µF P03
12						Not used
13						Not used
14						Not used
15						Not used
16						Not used
17	1	471 9529-01	LC-filter	Filtre LC	1,2	
18	1	767 5103-09	Contacteur	Relais	1,2	110V 60Hz P03
19	1	767 5103-09	Contacteur	Relais	1,2	110V 60Hz P03
20	2	471 5080-02	Spacer	Entretoise	3	
21	1	471 9622-02	Time relay	Relais temporisé	1,2	P03
22	1	471 9622-51	Socket	Douille	1,2	P03
23	2	767 5803-09	Auxiliary contact	Contact de secours	1,2	P03
	1	767 5102-92	Auxiliary contact	Contact de secours	1,2	HN01 Red
	1	767 5101-92	Auxiliary contact	Contact de secours	1,2	HN10 Green
24	1	471 8731-01	Terminal connection	Bloc de connexion	3	
25	1	472 8793-50	Interference suppresser	Couvercle de suppression	1,2	
26	1	471 7863-01	Discharge	Collier de serrage	3	
27	1	762 1182-10	Grommet	Oeillet	3	Ø22,2MM
28	1	471 9027-85	Fuse	Porte-fusible	1,2	60Hz 1,25A,USA
29						Not used
30	1	762 8801-21	Fuse holder	Porte-fusible	1	USA -89/12187
31	1	762 8802-21	Fuse holder	Porte-fusible	1	6,3X32MM USA -89/12187
32	1	767 5102-92	Auxiliary contact	Contact de secours	1,2	HN01 Red
33	1	767 5102-92	Auxiliary contact	Contact de secours	1,2	HN01 Red
34	1	471 8756-01	Fuse holder	Porte-fusible	1	5X20 MM 89/12188-
35	1	471 8756-51	Insert	Insertion	1	5X20MM 89/12188-



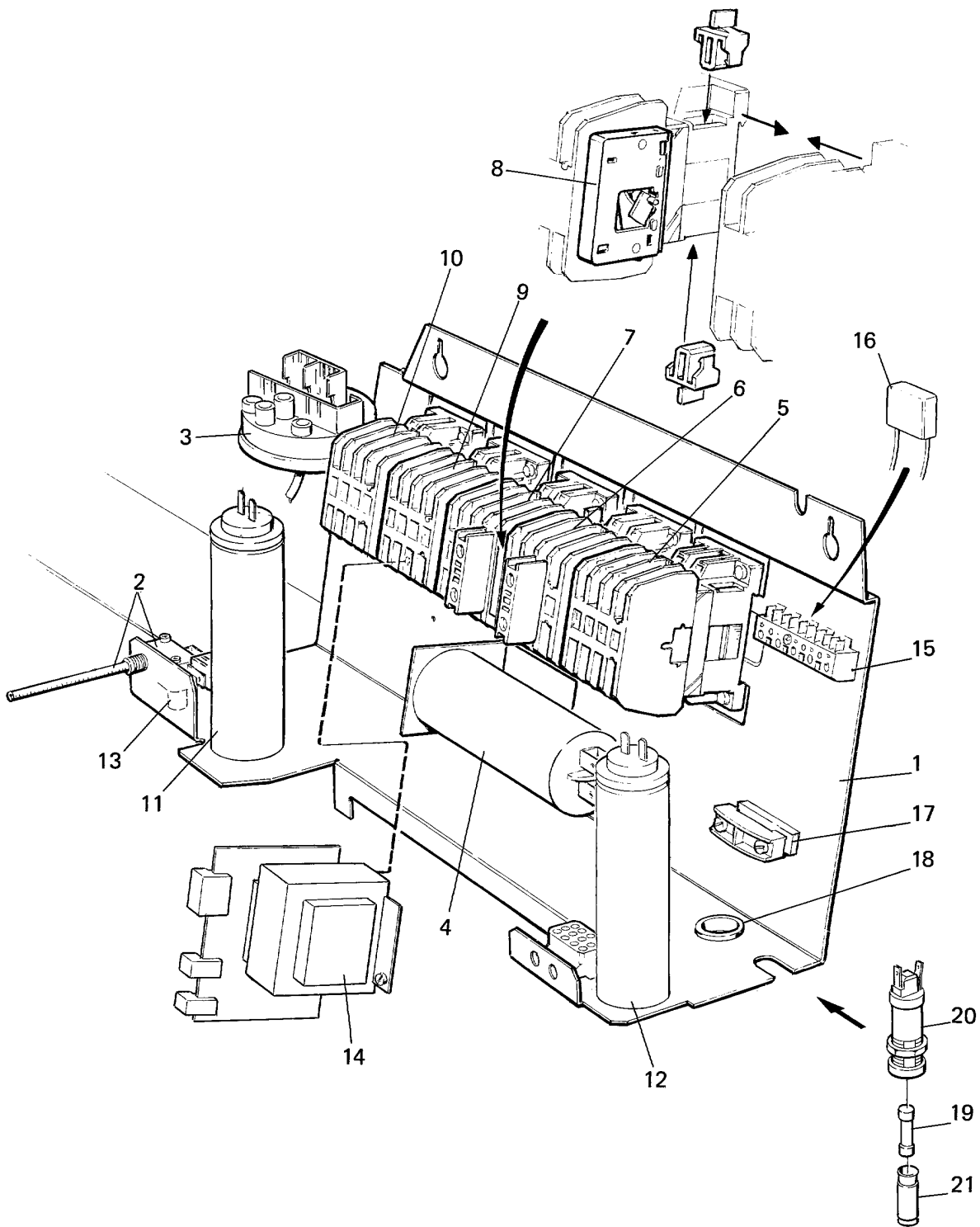
**EX-7 HI-TEK -90/24002**

**Electric components, component panel for PE03**

**Composants électriques, plaques PE03**

Illustration Issue Month Year  
Schéma Issue Month Year  
**100188 9 1 2003**

Item Article	Qua Qua	Art.No Réf. article	Description	Description	Info Info	Notes Remarques
1	1	472 8763-01	Component panel	Panneau composants	3	-88/09859
	1	472 8984-01	Component panel	Panneau composants	3	88/09860-
2	1	472 8774-02	Out of balance switch	Commutateur asymétrique	1,2	Complete
	1	472 9904-86	•Micro switch	•Micro-interrupteur		
3	1	471 8860-63	Level control	Réglage de niveau	1,2	PE03
4	1	472 9903-99	Delay unit	Bascule de retard	1,2	
5						Not used
6						Not used
7	1	767 5103-09	Contacteur	Relais	1,2	110V 60Hz PE03,120V
8	1	767 5103-09	Contacteur	Relais	1,2	110V 60Hz PE03,120V
9	1	767 5101-91	Interlock	Verrouillage	1,2	
10	2	767 5102-92	Auxiliary contact	Contact de secours	1,2	HN01 Red HN01
11	1	767 5103-09	Contacteur	Relais	1,2	110V 60Hz PE03,120V
12	1	767 5103-09	Contacteur	Relais	1,2	110V 60Hz PE03,120V
13	1	471 9041-22	Capacitor	Condensateur	1,2	30µF 1AC PE03
14	1	471 9201-72	Capacitor	Condensateur	1,2	110V 40µF PE03
15	1	471 9550-07	Transformer	Transformateur	1,2	
16	1	472 8860-01	Angle	Coude	3	
17	1	471 9529-01	LC-filter	Filtre LC	1,2	
18	2	471 5080-02	Spacer	Entretoise	3	
19	1	471 8731-01	Terminal connection	Bloc de connexion	3	
20						Not used
21	1	471 7863-01	Discharge	Collier de serrage	3	
22	1	762 1182-10	Grommet	Oeillet	3	Ø22,2MM
23	1	471 9027-85	Fuse	Porte-fusible	1,2	60Hz 1,25A,USA
24						Not used
25	1	762 8801-21	Fuse holder	Porte-fusible	1	USA -89/09859
26	1	762 8802-21	Fuse holder	Porte-fusible	1	6,3X32MM USA -89/09859
27	1	471 8756-01	Fuse holder	Porte-fusible	1	5X20 MM 88/09860-
28	1	471 8756-51	Insert	Insertion	1	5X20MM 88/09860-



100919

Issue	Month	Year
01	02	91



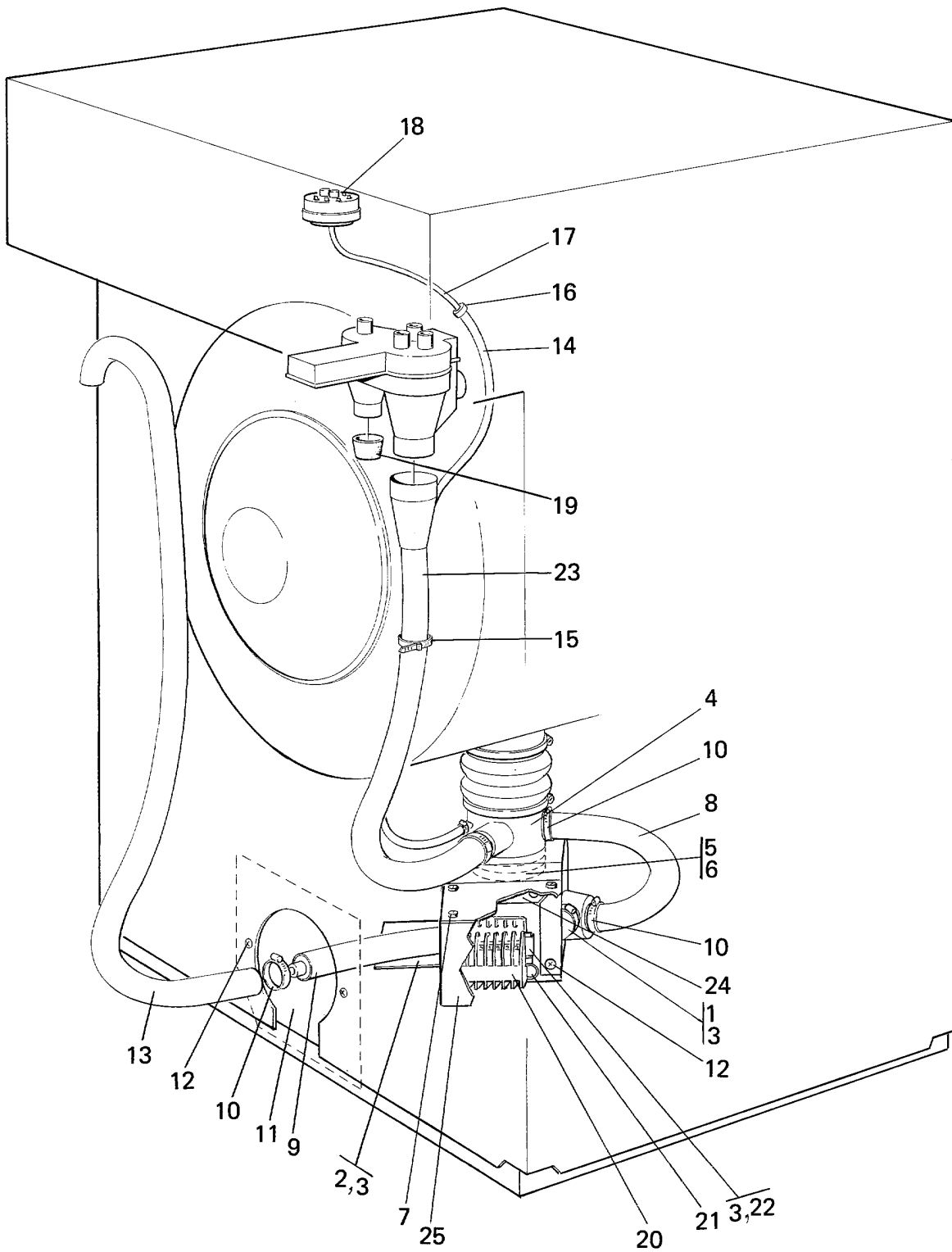
**EX-7 HI-TEK 90/24003-**

**Electric components, component panel**

**Composants électriques, plaque composants**

Illustration Issue Month Year  
Schéma Issue Month Year  
**100919 8 1 2003**

Item Article	Qua Qua	Art.No Réf. article	Description	Description	Info Info	Notes Remarques
1	1	472 8984-01	Component panel	Panneau composants	3	
2	1	472 8774-02	Out of balance switch	Commutateur asymétrique	1,2	Complete
	1	472 9904-86	Micro switch	Micro-interrupteur	1	
3	1	471 8860-63	Level control	Réglage de niveau	1,2	
4	1	471 9525-24	Capacitor	Condensateur	1,2	40MF C1
5	1	767 5103-09	Contactactor	Relais	1,2	110V 60Hz
6	1	767 5103-09	Contactactor	Relais	1,2	110V 60Hz
7	1	767 5103-09	Contactactor	Relais	1,2	110V 60Hz
8	1	767 5101-91	Interlock	Verrouillage	1,2	
9	1	767 5103-09	Contactactor	Relais	1,2	110V 60Hz
10						Not used
11	1	471 9525-27	Capacitor	Condensateur	1,2	30MF
12	1	471 9529-11	LC-filter	Filtre LC	1,2	
13	2	471 5080-02	Spacer	Entretoise	3	
14	1	471 9559-02	Transformer	Transformateur	1,2	
15	1	471 8731-01	Terminal connection	Bloc de connexion	3	
16	1	472 8793-50	Interference suppresser	Couvercle de suppression	1,2	
17	1	471 7863-01	Discharge	Collier de serrage	3	
18	1	762 1182-10	Grommet	Oeillet	3	Ø22,2MM
19	1	471 9027-85	Fuse	Porte-fusible	1,2	60Hz
20	1	471 8756-01	Fuse holder	Porte-fusible	1	5X20 MM
21	1	471 8756-52	Insert	Insertion	1	6,3X32MM,60Hz



100813

Issue	Month	Year
01	03	90

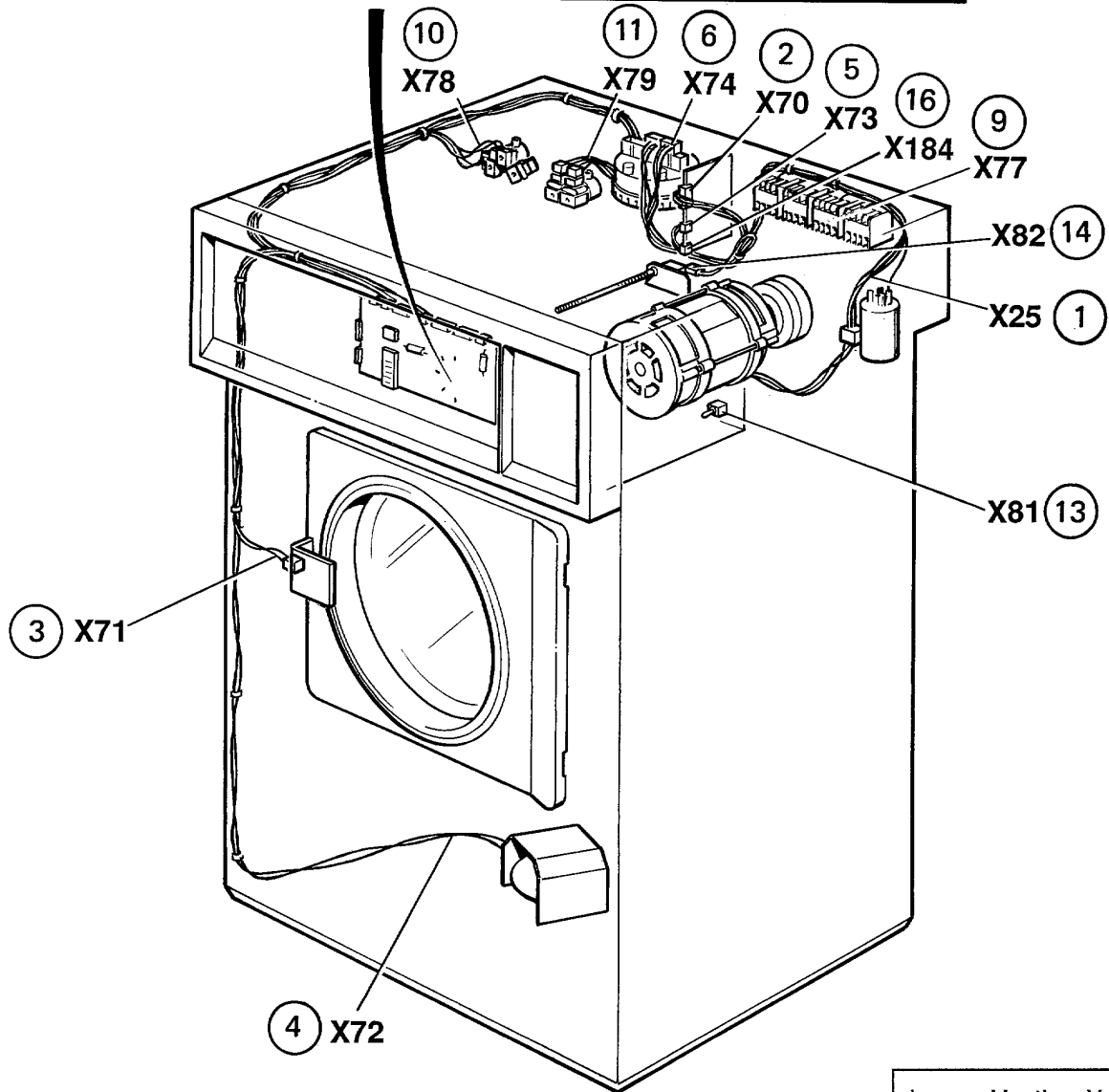
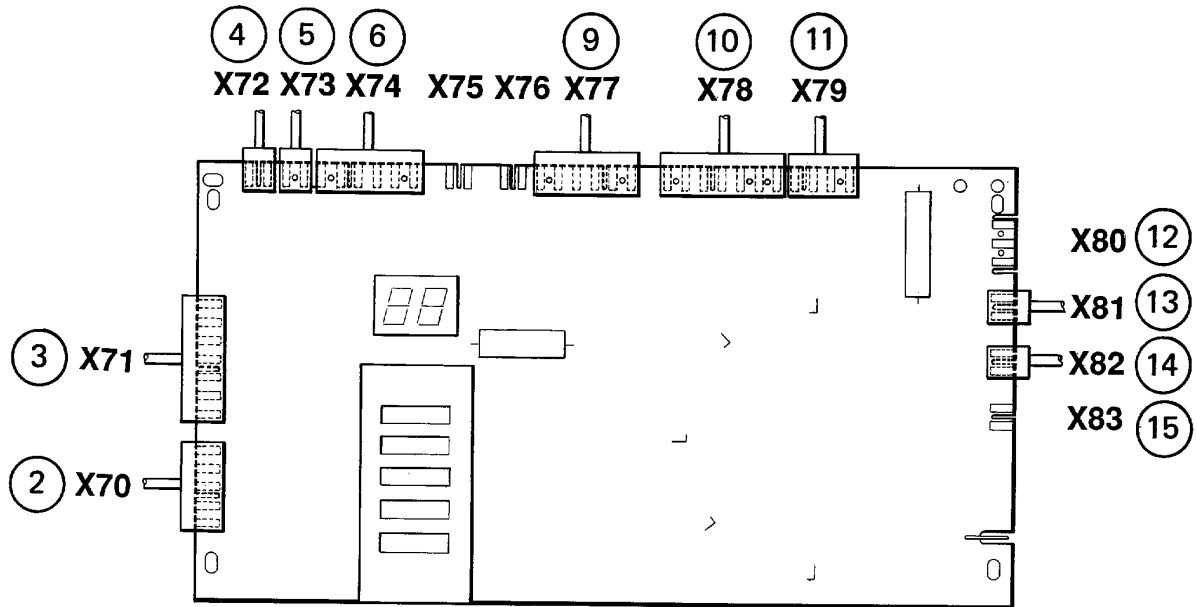
**EX-7 HI-TEK,EX-7 91/26503-**

**Drain pump components**

**Composants de la pompe de décharge**

Illustration Issue Month Year  
Schéma Issue Month Year  
**100813/1 4 12 1993**

Item Article	Qua Qua	Art.No Réf. article	Description	Description	Info Info	Notes Remarques
<b>1</b>	1	<b>471 8264-01</b>	Pump	Pompe	1,2	120V 1AC 60Hz
	1	<b>471 8264-02</b>	Pump	Pompe	1,2	208-240V 3AC 60Hz
	1	<b>471 6699-62</b>	•Pump housing	•Boîtier de pompe	1	
	1	<b>471 6699-61</b>	•Pump wheel	•Roue de la pompe	1,2	
	1	<b>471 6699-60</b>	•Gasket kit	•Jeu de joints	1,2	
	1	<b>471 6699-59</b>	•Fan wheel	•Poulie ventilateur	1	
<b>2</b>	1	<b>472 6767-02</b>	Bracket	Pupitre	3	
<b>3</b>	6	<b>725 2364-61</b>	Screw	Vis	3	M6SF 6X10
<b>4</b>	1	<b>472 6011-03</b>	Hose connection	Connexion flexible	1	
<b>5</b>	1	<b>472 6760-01</b>	Hood	Capot	1	
<b>6</b>	1	<b>471 7851-02</b>	Hose clamp	Attache flexible	1,2	
<b>7</b>	4	<b>471 8317-01</b>	Screw	Vis	3	
<b>8</b>	1	<b>472 6772-01</b>	Hose	Flexible	1,2	Drain
<b>9</b>	1	<b>472 6770-02</b>	Hose	Flexible	1,2	Drain
<b>10</b>	4	<b>736 2825-51</b>	Hose clamp	Attache flexible	1,2	Ø32
<b>11</b>	1	<b>472 6764-01</b>	Bracket	Pupitre	3	
<b>12</b>	6	<b>729 5342-01</b>	Screw	Vis	3	
<b>13</b>	1	<b>471 2262-20</b>	Hose	Flexible	1,2	
<b>14</b>	1	<b>471 5103-06</b>	Hose	Flexible	1,2	
<b>15</b>	4	<b>762 9105-05</b>	Cable strap	Serre-câble	3	
<b>16</b>	1	<b>471 4651-24</b>	Nipple	Raccord	3	
<b>17</b>	1	<b>471 2088-92</b>	Hose	Flexible	1,2	
<b>18</b>	1	<b>471 8850-62</b>	Level control	Réglage de niveau	1,2	-91/26502
	1	<b>471 8850-70</b>	Level control	Réglage de niveau	1,2	91/26503-
<b>19</b>	1	<b>471 8175-02</b>	Plug	Fiche	3	
<b>20</b>	1	<b>471 9636-01</b>	Contactactor	Relais	1,2	120V 60Hz -91/26502
	2	<b>767 5103-09</b>	Contactactor	Relais	1,2	110V 60Hz 91/26503-
<b>21</b>	1	<b>762 1182-10</b>	Grommet	Oeillet	3	Ø22,2MM
<b>22</b>	1	<b>471 7182-08</b>	Rail	Support	3	
<b>23</b>	1	<b>472 8761-01</b>	Hose	Flexible	1,2	
<b>24</b>	1	<b>472 9727-01</b>	Bracket	Pupitre	3	
<b>25</b>	1	<b>472 9729-01</b>	Cover plate	Plaque recouvrement	3	



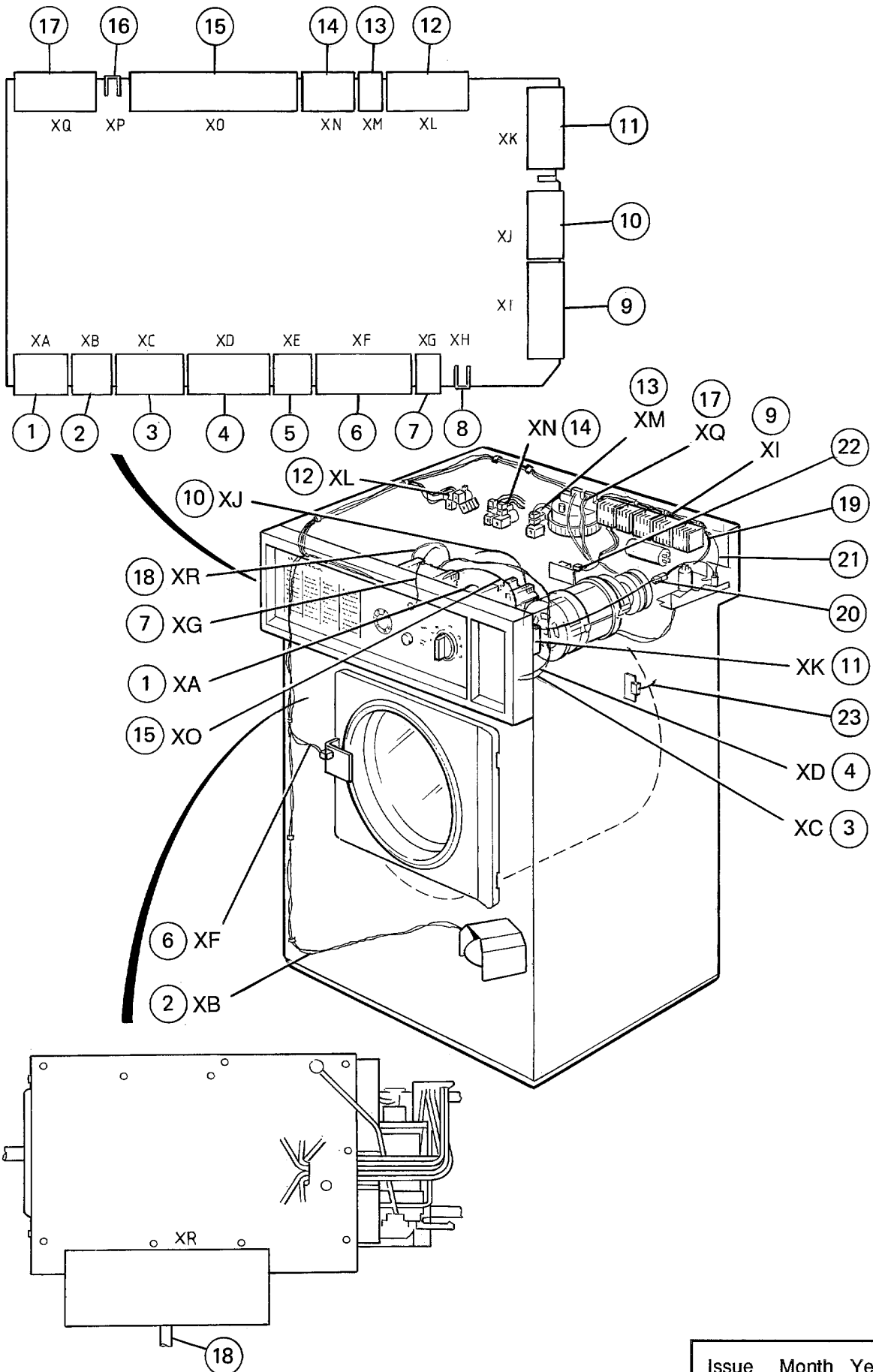
**EX-7 HI-TEK 90/24003-**

**Cables PE03**

**Câblage PE03**

Illustration Issue Month Year  
Schéma Issue Month Year  
**100908 3 4 1995**

Item Article	Qua Qua	Art.No Réf. article	Description	Description	Info Info	Notes Remarques
1	1	472 8788-17	Cables	Câble	3	MOTOR 1AC ,X25
2	1	438 3085-01	Cables	Câble	3	TRANSFORMER,X70
3	1	472 8791-12	Cables	Câble	3	Door lock, X71
4	1	472 8791-13	Cables	Câble	3	DRAIN VALVE,X72
5	1	438 3082-03	Cables	Câble	3	INLET,X73
6	1	438 3086-02	Cables	Câble	3	LEVEL CONTROL,X74
7						NOT USED,X75
8						NOT USED,X76
9	1	438 3086-53	Cables	Câble	3	MOTOR-RELAY,X77
10	1	438 3086-01	Cables	Câble	3	COLD WATER,X78
11	1	438 3084-02	Cables	Câble	3	HOT WATER,X79
12	1	438 3030-81	Cables	Câble	3	COIN-METER,X80
13	1	438 3019-30	Cables	Câble	3	SWITCH,X81
14	1	438 3082-05	Cables	Câble	3	UNBALANCE SWITCH,X82
15			Cables	Câble	3	NOT USED,X83
16	1	472 8791-11	Cables	Câble	3	TRANSFORMER-FUSE,X184



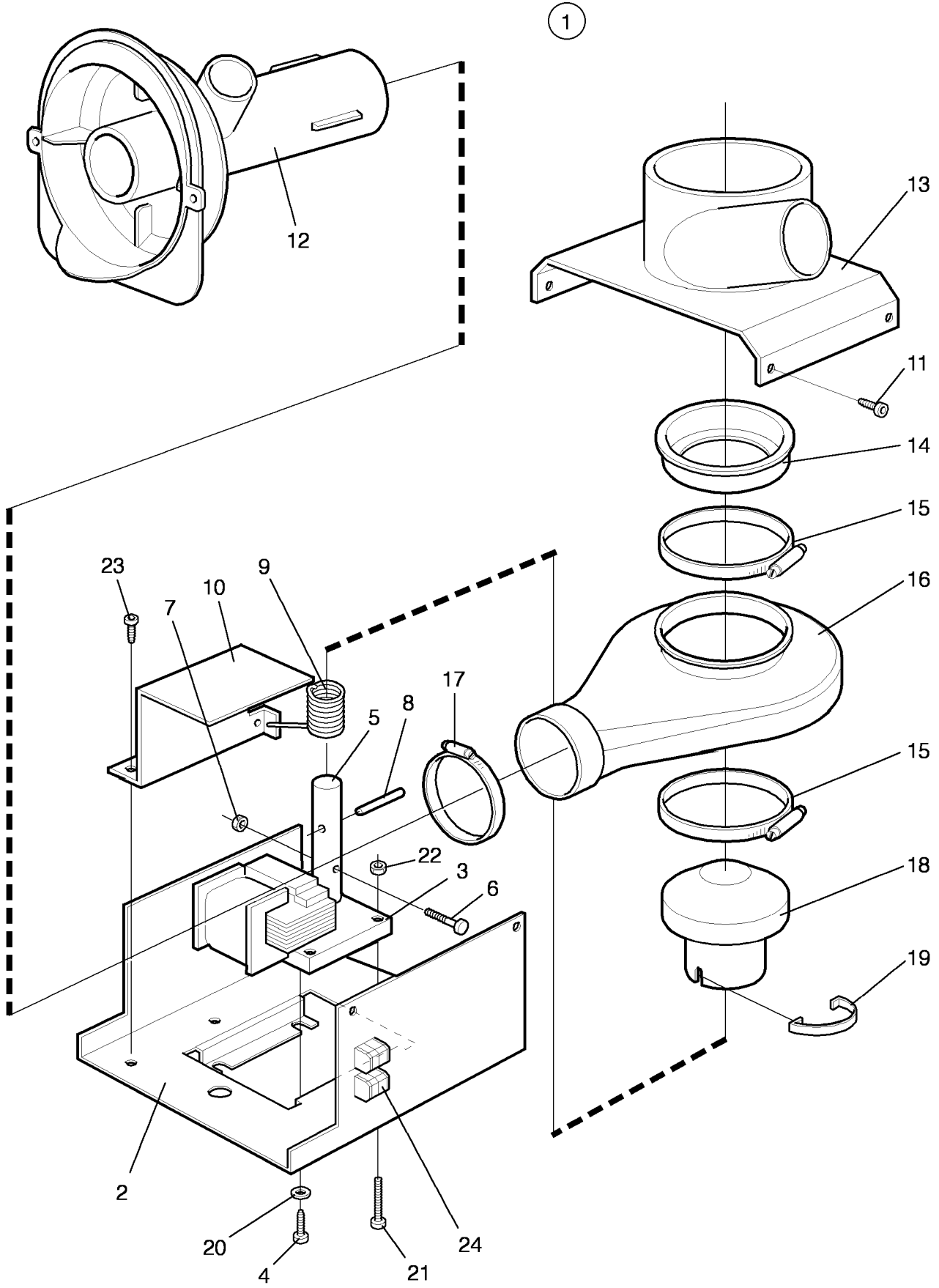
**EX-7 93/42321-**

**Cables P03**

**Câblage P03**

Illustration Issue Month Year  
Schéma Issue Month Year  
**101136 3 11 1996**

Item Article	Qua Qua	Art.No Réf. article	Description	Description	Info Info	Notes Remarques
1	1		Cables	Câble	3	XA,EXTERNAL SUPPLY
2	1	472 8791-17	Cables	Câble	3	XB, DRAIN VALVE
	1	472 8791-39	Cables	Câble	3	XB,DRAIN PUMP
3	1	438 3085-50	Cables	Câble	3	XC,COIN-METER AND CP
4	1	472 8793-25	Cables	Câble	3	XD
	1	472 8793-26	Cables	Câble	3	XD
	1	472 8793-27	Cables	Câble	3	XD
	1	472 8793-40	Cables	Câble	3	XD
5	1	438 3082-64	Cables	Câble	3	XE
6	1	472 8791-12	Cables	Câble	3	XF,DOOR LOCK
7	1	438 3082-15	Cable set	Jeu de câbles	3	XG,PILOT LAMP
8	1	472 9913-43	Clamp	Bride de fixation	3	Kit 25 pcs XH,COOL DOWN
9	1	472 8788-31	Cables	Câble	3	XI
10	1	438 3085-53	Cables	Câble	3	XJ
11	1	438 3030-30	Cables	Câble	3	XK,THERMOSTAT
12	1	438 3086-01	Cables	Câble	3	XL,COLD WATER
13	1	438 3082-07	Cables	Câble	3	XM,COLD HARD WATER
14	1	438 3084-02	Cables	Câble	3	XN,HOT WATER
15	1	438 3092-50	Cables	Câble	3	XO
16	1	472 9913-43	Clamp	Bride de fixation	3	Kit 25 pcs XP,OPTION
17	1	438 3086-02	Cables	Câble	3	XQ,LEVEL CONTROL
18	1	438 3092-52	Cables	Câble	3	XR
19	1	472 8788-23	Cables	Câble	3	Motor
20	1	472 8788-33	Cables	Câble	3	
21	1	472 8788-25	Cables	Câble	3	1 FUSE
	1	472 8788-28	Cables	Câble	3	2 FUSES
22	1	438 3083-56	Cables	Câble	3	UNBALANCE SWITCH
23	1	472 8788-30	Cables	Câble	3	SPEED SENSOR





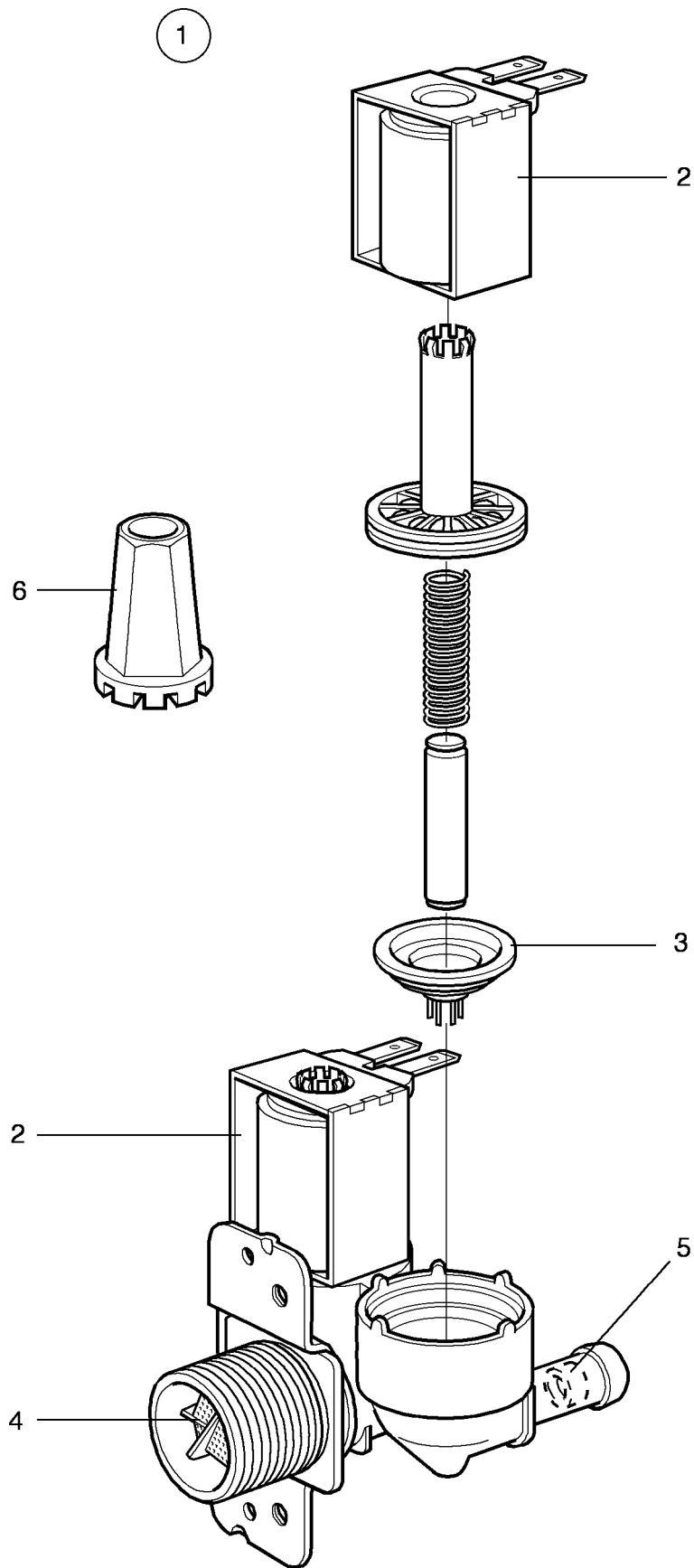
**EX-7,EX-7 HI-TEK**

**Drain valve**

**Purgeur**

Illustration Issue Month Year  
Schéma Issue Month Year  
**100230 2 3 1990**

Item Article	Qua Qua	Art.No Réf. article	Description	Description	Info Info	Notes Remarques
1	1	472 8754-01	Drain valve	Purgeur	1	220V 50/60Hz
	1	472 8754-02	Drain valve	Purgeur	1	120V 60Hz
2	1	472 8772-01	•Bracket	•Pupitre	3	
3	1	471 9727-01	•Motor	•Moteur	1,2	220V 50/60Hz With gear
	1	471 9727-02	•Motor	•Moteur	1,2	120V With gear
4	3	724 1323-01	•Screw	•Vis	3	M5X8
5	1	472 6016-00	•Piston	•Piston	1	
6	1	724 1295-01	•Screw	•Vis	3	M4X20
7	1	732 2112-01	•Locking nut	•Contre-écrou	3	M4
8	1	472 6017-00	•Shaft	•Arbre	1	
9	1	471 7804-01	•Torsion spring	•Ressort rotatif	1,2	
10	1	472 6195-01	•Cover	•Couvercle	3	
11	4	471 8317-01	•Screw	•Vis	3	
12	1	472 8722-01	•Connection	•Flexible caoutchouc	1	
13	1	472 6011-00	•Hose connection	•Connexion flexible	3	
	1	472 6011-01	•Hose connection	•Connexion flexible	3	PLUGGED
14	1	472 6012-00	•Rubber ring	•Rondelle caoutchouc	1,2	
15	2	471 7851-02	•Hose clamp	•Attache flexible	3	
16	1	472 6013-00	•Hose	•Flexible	1,2	
17	1	736 2840-51	•Hose clamp	•Attache flexible	3	Ø50-63
18	1	472 6015-00	•Piston	•Piston	1	
19	1	472 6147-00	•Spring	•Ressort	1	
20	2	735 2146-01	•Washer	•Rondelle	3	M5
21	1	724 1303-01	•Screw	•Vis	3	M4X40
22	1	731 2312-01	•Nut	•Écrou	3	M4
23	2	729 5279-01	•Screw	•Vis	3	RXS B6X9,5
24	2	762 3131-01	•Insulator	•Isolant	3	



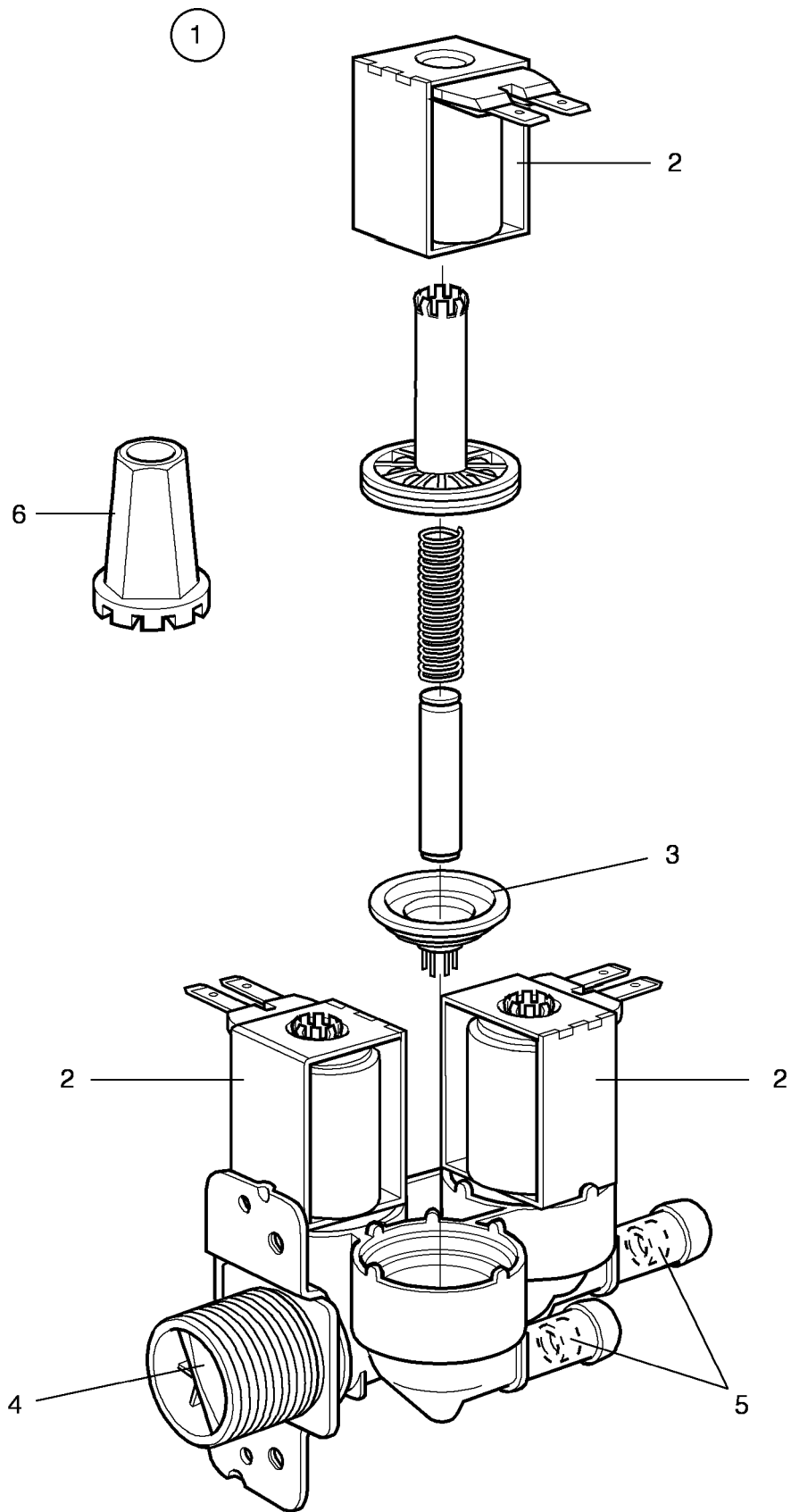
**EX-7**

**Inlet valve 3/4", 2-way**

**Soupape de admission 3/4", 2 voies**

Illustration Issue Month Year  
Schéma Issue Month Year  
**100045 3 8 1991**

Item Article	Qua Qua	Art.No Réf. article	Description	Description	Info Info	Notes Remarques
<b>1</b>	1	<b>471 8235-01</b>	Valve	Soupape	1,2	NITRIL COMPL. RESTRICTION 20/20L/MIN
	1	<b>471 8235-09</b>	Valve	Soupape	1,2	208-240V 60Hz 2-way NITRIL COMPL. RESTRICTION 20/20L/MIN
	1	<b>471 8235-02</b>	Valve	Soupape	1,2	208-240V 50Hz 2-way NITRIL COMPL. RESTRICTION 5,5/20L/MIN
	1	<b>471 8235-02</b>	Valve	Soupape	1,2	208-240V 50Hz 2-way NITRIL COMPL. RESTRICTION 5,5/20L/MIN
	1	<b>471 8235-03</b>	Valve	Soupape	1,2	208-240V 50Hz NITRIL COMPL. RESTRICTION 20/2,5L/MIN
	1	<b>471 8235-12</b>	Valve	Soupape	1,2	208-240V 60Hz NITRIL COMPL. RESTRICTION 20/2,5L/MIN
	1	<b>471 8235-11</b>	Valve	Soupape	1,2	EPDM 208-240V 50Hz 2-way Complete RESTRICTION 20/20L/MIN
	1	<b>471 8235-04</b>	Valve	Soupape	1,2	EPDM 208-240V 60Hz 2-way USA COMPL. RESTRICTION 20/20L/MIN
	1	<b>471 8235-05</b>	Valve	Soupape	1,2	EPDM 208-240V 60Hz 2-way USA COMPL. RESTRICTION 5,5/20L/MIN
	1	<b>471 8235-06</b>	Valve	Soupape	1,2	EPDM 120V 60Hz Complete RESTRICTION 5,5/20L/MIN
	1	<b>471 8235-07</b>	Valve	Soupape	1,2	2-WAY, 120V 60Hz USA COMPL. RESTRICTION 20/20L/MIN
	1	<b>471 8235-15</b>	Valve	Soupape	1,2	NITRIL 120V 60Hz 2-way Complete RESTRICTION 20/20L/MIN
	1	<b>471 8235-14</b>	Valve	Soupape	1,2	NITRIL 120V 60Hz 2-way Complete RESTRICTION 5,5/20L/MIN
	1	<b>471 8235-08</b>	Valve	Soupape	1,2	208-240V 50Hz NITRIL COMPL. RESTRICTION 5,5/20L/MIN
	1	<b>471 8235-13</b>	Valve	Soupape	1,2	208-240V 60Hz 2-way NITRIL COMPL. RESTRICTION 5,5/10L/MIN
1	<b>471 8235-20</b>	Valve	Soupape	1,2	NITRIL 120V 50Hz 2-way Complete RESTRICTION 20/20L/MIN	
1	<b>471 8235-21</b>	Valve	Soupape	1,2	NITRIL 120V 50Hz 2-way Complete RESTRICTION 5,5/20L/MIN	
<b>2</b>	2	<b>471 6696-37</b>	•Coil	•Bobine	1,2	208-240V 50Hz
	2	<b>471 6696-33</b>	•Coil	•Bobine	1,2	208-240V 60Hz
	2	<b>471 6696-32</b>	•Coil	•Bobine	1,2	120V 60Hz
<b>3</b>	2	<b>471 8234-98</b>	•Diaphragm	•Diaphragme	1,2	NITRIL
	2	<b>471 8234-92</b>	•Diaphragm	•Diaphragme	1,2	EPDM
<b>4</b>	1	<b>471 8234-94</b>	•Filter	•Filtre	1	
<b>5</b>	1	<b>471 8234-95</b>	•Restrictor	•Réducteur de débit	1	2,5l/min
	1	<b>471 8234-96</b>	•Restrictor	•Réducteur de débit	1	5,5l/min
	1	<b>471 8234-97</b>	•Restrictor	•Réducteur de débit	1	10l/min
<b>6</b>	1	<b>471 4792-01</b>	Tool	Outil	1	



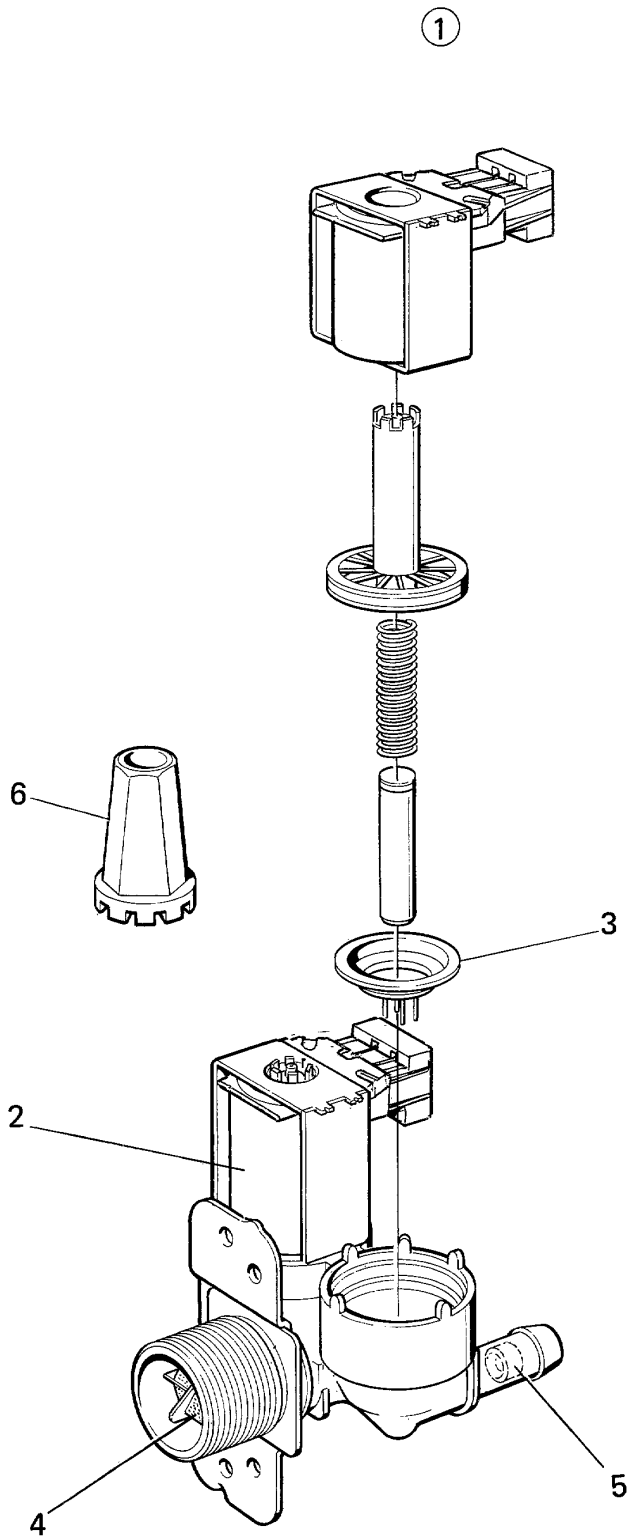
**EX-7**

**Inlet valve 3/4", 3-way**

**Soupape de admission 3/4", 3 voies**

Illustration Issue Month Year  
Schéma Issue Month Year  
**100046/3 3 8 1991**

Item Article	Qua Qua	Art.No Réf. article	Description	Description	Info Info	Notes Remarques	
<b>1</b>	1	<b>471 8236-01</b>	Valve	Soupape	1,2	208-240V 50Hz 3-way NITRIL COMPL. RESTRICTION 20/20/20L/MIN	
	1	<b>471 8236-07</b>	Valve	Soupape	1,2	60Hz 3-way NITRIL COMPL. RESTRICTION 20/20/20L/MIN	
	1	<b>471 8236-02</b>	Valve	Soupape	1,2	208-240V 50Hz 3-way NITRIL COMPL. RESTRICTION 5,5/20/20L/MIN	
	1	<b>471 8236-08</b>	Valve	Soupape	1,2	60Hz 3-way NITRIL COMPL. RESTRICTION 5,5/20/20L/MIN	
	1	<b>471 8236-09</b>	Valve	Soupape	1,2	EPDM 208-240V 50Hz 3-way Complete RESTRICTION 5,5/20/20L/MIN	
	1	<b>471 8236-03</b>	Valve	Soupape	1,2	EPDM 208-240V 60Hz 3-way USA COMPL. RESTRICTION 5,5/20/20L/MIN	
	1	<b>471 8236-04</b>	Valve	Soupape	1,2	120V 60Hz 3-way USA COMPL. RESTRICTION 5,5/20/20L/MIN	
	1	<b>471 8236-05</b>	Valve	Soupape	1,2	EPDM 208-240V 60Hz 3-way USA COMPL. RESTRICTION 20/20/20L/MIN	
	1	<b>471 8236-06</b>	Valve	Soupape	1,2	EPDM 120V 60Hz USA COMPL. RESTRICTION 20/20/20L/MIN	
	1	<b>471 8236-12</b>	Valve	Soupape	1,2	208-240V 50Hz 3-way NITRIL COMPL. RESTRICTION 5,5/20/2,5L/MIN	
	1	<b>471 8236-13</b>	Valve	Soupape	1,2	EDPM 208-240V 60Hz 3-way Complete RESTRICTION 5,5/20/2,5L/MIN	
	1	<b>471 8236-14</b>	Valve	Soupape	1,2	208-240V 50Hz Complete Restriction 5/5-/l/min	
	1	<b>471 8236-15</b>	Valve	Soupape	1,2	208-240V 60Hz	
	<b>2</b>	3	<b>471 6696-37</b>	•Coil	•Bobine	1,2	208-240V 50Hz
		3	<b>471 6696-33</b>	•Coil	•Bobine	1,2	208-240V 60Hz
3		<b>471 6696-71</b>	•Coil	•Bobine	1,2	120V 50Hz	
<b>3</b>	3	<b>471 6696-32</b>	•Coil	•Bobine	1,2	120V 60Hz	
	3	<b>471 8234-98</b>	•Diaphragm	•Diaphragme	1,2	NITRIL	
<b>4</b>	3	<b>471 8234-92</b>	•Diaphragm	•Diaphragme	1,2	EPDM	
	1	<b>471 8234-94</b>	•Filter	•Filtre	1		
<b>5</b>	1	<b>471 8234-95</b>	•Restrictor	•Réducteur de débit	1	2,5l/min	
	1	<b>471 8234-96</b>	•Restrictor	•Réducteur de débit	1	5,5l/min	
<b>6</b>	1	<b>471 8234-97</b>	•Restrictor	•Réducteur de débit	1	10l/min	
	1	<b>471 4792-01</b>	Tool	Outil	1		



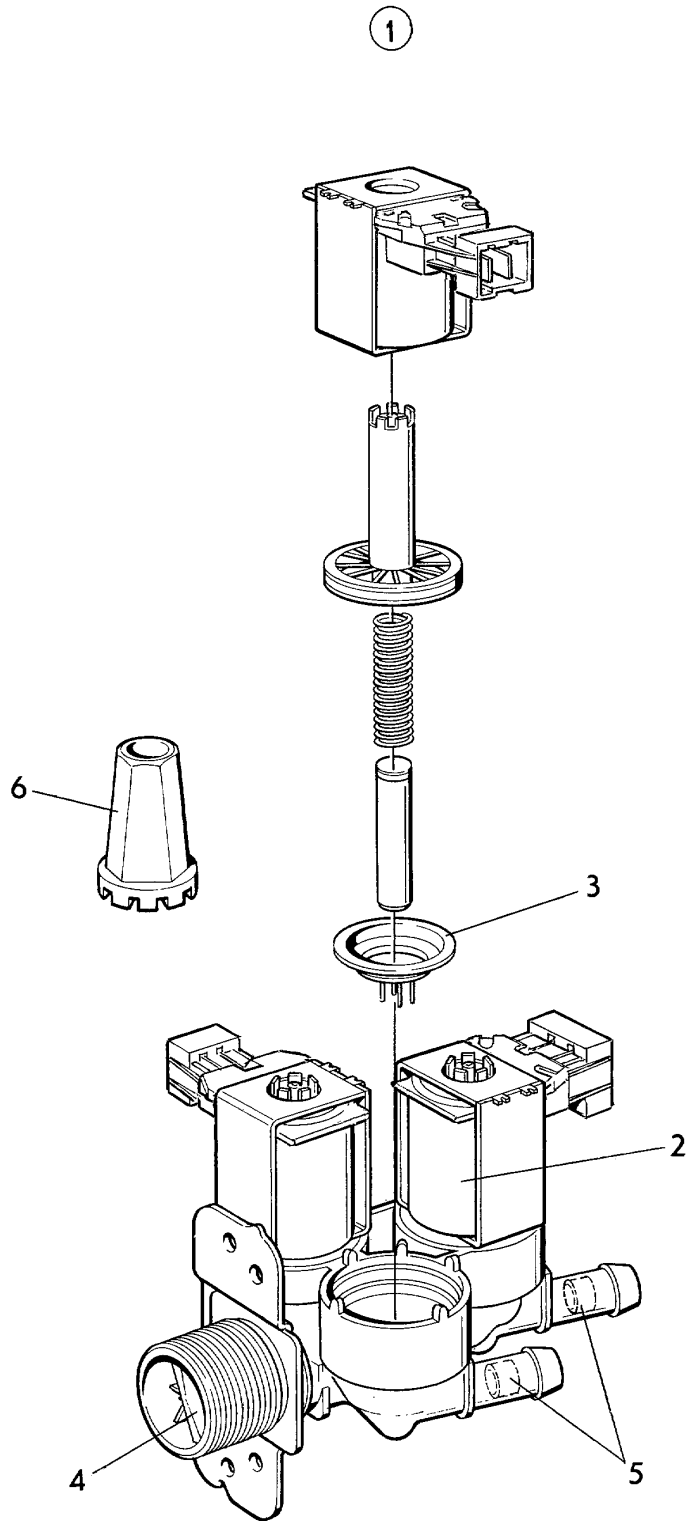
**EX-7 HI-TEK**

**Inlet valve 3/4", 2-way**

**Soupape de admission 3/4", 2 voies**

Illustration Issue Month Year  
Schéma Issue Month Year  
**100798/1 4 10 2002**

Item Article	Qua Qua	Art.No Réf. article	Description	Description	Info Info	Notes Remarques
<b>1</b>	1	<b>471 8235-51</b>	Valve	Soupape	1,2	208-240V
	1	<b>471 8235-54</b>	Valve	Soupape	1,2	240V 60Hz 2-way USA
	1	<b>471 8235-57</b>	Valve	Soupape	1,2	120V 60Hz 2-way USA
<b>2</b>	1	<b>471 6860-15</b>	•Coil	•Bobine	1,2	120V Green
	1	<b>471 6860-16</b>	•Coil	•Bobine	1,2	120V Orange
	1	<b>471 6860-17</b>	•Coil	•Bobine	1,2	120V White
	1	<b>471 6860-18</b>	•Coil	•Bobine	1,2	208-240V Green
	1	<b>471 6860-19</b>	•Coil	•Bobine	1,2	208-240V Orange
	1	<b>471 6860-20</b>	•Coil	•Bobine	1,2	208-240V White
<b>3</b>	1	<b>471 8234-98</b>	•Diaphragm	•Diaphragme	1,2	NITRIL
	1	<b>471 8234-92</b>	•Diaphragm	•Diaphragme	1,2	EPDM
<b>4</b>	1	<b>471 8234-94</b>	•Filter	•Filtre	1	
<b>5</b>	1	<b>471 8234-95</b>	•Restrictor	•Réducteur de débit	3	2,5l/min
	1	<b>471 8234-96</b>	•Restrictor	•Réducteur de débit	3	5,5l/min
<b>6</b>	1	<b>471 4792-01</b>	Tool	Outil	3	





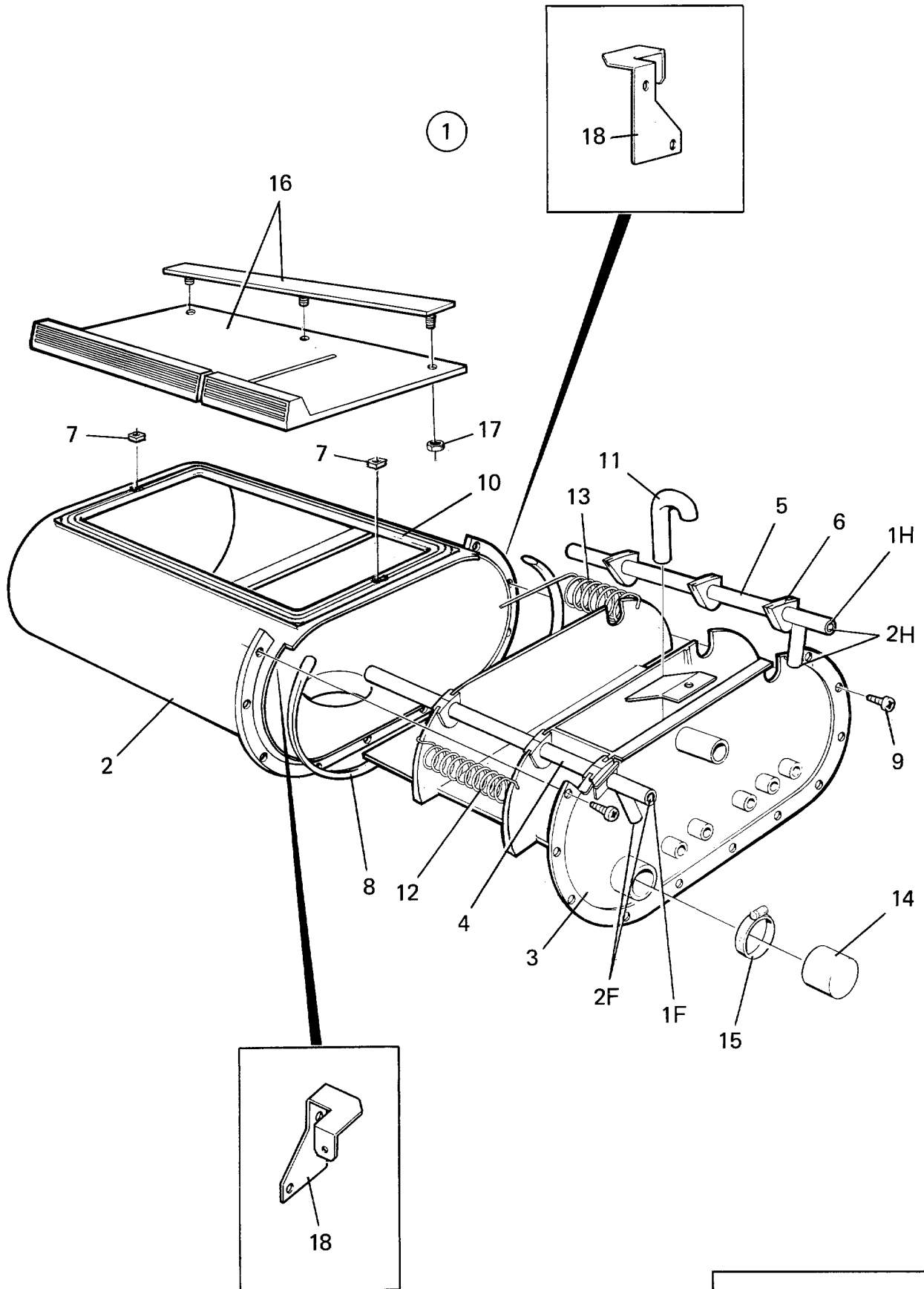
**EX-7 HI-TEK**

**Inlet valve 3/4", 3-way**

**Soupape de admission 3/4", 3 voies**

Illustration Issue Month Year  
Schéma Issue Month Year  
**100797/1 6 10 2002**

Item Article	Qua Qua	Art.No Réf. article	Description	Description	Info Info	Notes Remarques
<b>1</b>	1	<b>471 8236-52</b>	Valve	Soupape	1,2	208-240V Restriction 5,5/-/l/min
	1	<b>471 8236-53</b>	Valve	Soupape	1,2	240V 60Hz 3-way USA Restriction 5,5/-/l/min
	1	<b>471 8236-54</b>	Valve	Soupape	1,2	120V 60Hz 3-way USA Restriction 5,5/-/l/min
	1	<b>471 8236-59</b>	Valve	Soupape	1,2	3-way
	1	<b>471 8236-66</b>	Valve	Soupape	1,2	EPDM 2, 120V 60Hz 3-way Restriction -/5,5 l/min
	<b>2</b>	1	<b>471 6860-15</b>	•Coil	•Bobine	1,2
1		<b>471 6860-16</b>	•Coil	•Bobine	1,2	120V Orange
1		<b>471 6860-17</b>	•Coil	•Bobine	1,2	120V White
1		<b>471 6860-18</b>	•Coil	•Bobine	1,2	208-240V Green
1		<b>471 6860-19</b>	•Coil	•Bobine	1,2	208-240V Orange
1		<b>471 6860-20</b>	•Coil	•Bobine	1,2	208-240V White
<b>3</b>	1	<b>471 8234-98</b>	•Diaphragm	•Diaphragme	1,2	NITRIL
	1	<b>471 8234-92</b>	•Diaphragm	•Diaphragme	1,2	EPDM USA
<b>4</b>	1	<b>471 8234-94</b>	•Filter	•Filtre	1	
<b>5</b>	1	<b>471 8234-95</b>	•Restrictor	•Réducteur de débit	3	2,5l/min
	1	<b>471 8234-96</b>	•Restrictor	•Réducteur de débit	3	5,5l/min
<b>6</b>	1	<b>471 4792-01</b>	Tool	Outil	3	



**EX-7,EX-7 HI-TEK**

**Detergent container**

**Compartment à savon**

Illustration Issue Month Year  
Schéma Issue Month Year  
**101367 9 4 1995**

Item Article	Qua Qua	Art.No Réf. article	Description	Description	Info Info	Notes Remarques
<b>1</b>						WITH SCREW IN TOP PANEL
	1	<b>472 6001-54</b>	Detergent container	Compartment à savon	1,2	1F-1H
<b>2</b>	1	<b>472 6002-05</b>	•Shell	•Pression coque	1	
<b>3</b>	1	<b>472 6003-04</b>	•Box	•Boîtier	1	
<b>4</b>	1	<b>472 6005-10</b>	•Spray head	•Vaporisateur	1	1F 1F
<b>5</b>	1	<b>472 6005-01</b>	•Spray head	•Vaporisateur	1	1H 1H
<b>6</b>	6	<b>472 6004-01</b>	•Grommet	•Oeillet	1	
<b>7</b>	2	<b>471 8401-01</b>	•Nut	•Écrou	3	M4
<b>8</b>	1	<b>471 8163-01</b>	•Gasket	•Joint	1,2	
<b>9</b>	11	<b>471 8346-01</b>	•Screw	•Vis	3	
<b>10</b>	1	<b>438 0460-02</b>	•Gasket	•Joint	3	
<b>11</b>	1	<b>472 6006-01</b>	•Siphon	•Siphon	1,2	
<b>12</b>	1	<b>471 7809-02</b>	•Spring	•Ressort	1	
<b>13</b>	1	<b>471 7808-02</b>	•Spring	•Ressort	1	
<b>14</b>	1	<b>471 8644-03</b>	Hood	Capot	3	
<b>15</b>	1	<b>736 2828-51</b>	Hose clamp	Attache flexible	3	
<b>16</b>	1	<b>472 9902-59</b>	Cover	Couvercle	1,2	
<b>17</b>	3	<b>731 2314-42</b>	•Nut	•Écrou	3	M4
<b>18</b>	2	<b>438 4139-01</b>	Bracket	Support de montage	3	W/FL 184-244



Numerical index/Numerical index

Art.No/Réf. article	Page/Page	Art.No/Réf. article	Page/Page	Art.No/Réf. article	Page/Page	Art.No/Réf. article	Page/Page
438 0040-01	15	471 4792-01	53	471 7651-88	23	471 8235-06	51
438 0040-01	17	471 4792-01	55	471 7651-89	23	471 8235-07	29
438 0071-01	21	471 4792-01	57	471 7651-90	23	471 8235-07	51
438 0072-01	21	471 4799-40	15	471 7701-12	25	471 8235-08	51
438 0076-01	15	471 4876-06	35	471 7701-12	27	471 8235-09	51
438 0076-01	17	471 4934-01	19	471 7803-13	21	471 8235-11	51
438 0078-01	13	471 4937-01	19	471 7803-14	23	471 8235-12	51
438 0445-01	27	471 4937-02	19	471 7804-01	49	471 8235-13	51
438 0445-02	27	471 4940-10	15	471 7808-02	59	471 8235-14	31
438 0460-01	13	471 4949-01	17	471 7809-02	59	471 8235-14	51
438 0460-02	59	471 4949-02	17	471 7810-03	7	471 8235-15	31
438 3019-30	45	471 5080-02	17	471 7810-07	7	471 8235-15	51
438 3030-30	47	471 5080-02	19	471 7810-08	7	471 8235-20	51
438 3030-81	45	471 5080-02	37	471 7817-01	35	471 8235-21	51
438 3082-03	45	471 5080-02	39	471 7826-99	13	471 8235-51	55
438 3082-05	45	471 5080-02	41	471 7829-03	13	471 8235-54	55
438 3082-07	47	471 5080-03	9	471 7836-01	9	471 8235-57	33
438 3082-15	47	471 5100-00	7	471 7851-02	43	471 8235-57	55
438 3082-64	47	471 5103-06	43	471 7851-02	49	471 8236-01	53
438 3083-56	47	471 6696-32	51	471 7851-03	9	471 8236-02	53
438 3084-02	45	471 6696-32	53	471 7851-04	9	471 8236-03	53
438 3084-02	47	471 6696-33	51	471 7863-01	37	471 8236-04	29
438 3085-01	45	471 6696-33	53	471 7863-01	39	471 8236-04	53
438 3085-50	47	471 6696-37	51	471 7863-01	41	471 8236-05	53
438 3085-53	47	471 6696-37	53	471 7864-01	7	471 8236-06	53
438 3086-01	45	471 6696-71	53	471 7864-02	13	471 8236-07	53
438 3086-01	47	471 6699-59	43	471 7903-04	23	471 8236-08	53
438 3086-02	45	471 6699-60	43	471 7953-01	21	471 8236-09	53
438 3086-02	47	471 6699-61	43	471 7954-01	21	471 8236-12	53
438 3086-53	45	471 6699-62	43	471 7961-01	9	471 8236-13	53
438 3092-50	47	471 6700-07	23	471 8114-01	13	471 8236-14	53
438 3092-52	47	471 6860-15	55	471 8134-01	7	471 8236-15	53
438 4062-01	23	471 6860-15	57	471 8163-01	59	471 8236-52	57
438 4088-01	21	471 6860-16	55	471 8175-01	29	471 8236-53	57
438 4139-01	59	471 6860-16	57	471 8175-01	31	471 8236-54	33
438 5109-02	13	471 6860-17	55	471 8175-01	33	471 8236-54	57
438 5327-02	13	471 6860-17	57	471 8175-02	43	471 8236-59	57
438 5329-01	13	471 6860-18	55	471 8192-01	9	471 8236-66	57
438 5367-06	27	471 6860-18	57	471 8194-01	7	471 8259-01*	7
438 6028-03	27	471 6860-19	55	471 8234-92	51	471 8264-01	43
471 2032-39	25	471 6860-19	57	471 8234-92	53	471 8264-02	43
471 2075-49	25	471 6860-20	55	471 8234-92	55	471 8311-00	13
471 2075-49	27	471 6860-20	57	471 8234-92	57	471 8311-00	23
471 2088-92	43	471 7182-08	43	471 8234-94	51	471 8317-01	13
471 2098-71	13	471 7403-01	21	471 8234-94	53	471 8317-01	43
471 2262-20	43	471 7506-04	9	471 8234-94	55	471 8317-01	49
471 2401-52	25	471 7639-59	15	471 8234-94	57	471 8317-02	15
471 2401-52	27	471 7639-59	17	471 8234-95	51	471 8317-02	17
471 2408-08	23	471 7639-60	19	471 8234-95	53	471 8340-23	33
471 2437-72	29	471 7651-31	23	471 8234-95	55	471 8341-11	33
471 2437-72	31	471 7651-32	23	471 8234-95	57	471 8341-19	11
471 2437-72	33	471 7651-33	23	471 8234-96	51	471 8346-01	59
471 2451-79	25	471 7651-34	23	471 8234-96	53	471 8401-01	59
471 2451-79	27	471 7651-35	23	471 8234-96	55	471 8454-07	13
471 2459-60	7	471 7651-36	23	471 8234-96	57	471 8502-05	9
471 4555-01	13	471 7651-37	23	471 8234-97	51	471 8502-14	25
471 4596-01	35	471 7651-38	23	471 8234-97	53	471 8502-14	27
471 4651-24	43	471 7651-39	23	471 8234-98	51	471 8550-01	25
471 4654-03	9	471 7651-40	23	471 8234-98	53	471 8550-01	27
471 4654-52	9	471 7651-81	23	471 8234-98	55	471 8628-52	25
471 4654-58	19	471 7651-82	23	471 8234-98	57	471 8628-52	27
471 4654-59	15	471 7651-83	23	471 8235-01	51	471 8644-03	59
471 4792-01	29	471 7651-84	23	471 8235-02	51	471 8731-01	37
471 4792-01	31	471 7651-85	23	471 8235-03	51	471 8731-01	39
471 4792-01	33	471 7651-86	23	471 8235-04	51	471 8731-01	41
471 4792-01	51	471 7651-87	23	471 8235-05	51	471 8756-01	37

Numerical index/Numerical index

Art.No/Réf. article	Page/Page	Art.No/Réf. article	Page/Page	Art.No/Réf. article	Page/Page	Art.No/Réf. article	Page/Page
471 8756-01	39	472 5750-02	21	472 8764-01	17	472 8984-01	37
471 8756-01	41	472 6001-51	31	472 8768-01	9	472 8984-01	39
471 8756-51	37	472 6001-52	33	472 8769-01	13	472 8984-01	41
471 8756-51	39	472 6001-54	59	472 8770-01	15	472 8991-01	23
471 8756-52	41	472 6001-55	29	472 8770-01	19	472 8996-01	9
471 8850-62	43	472 6002-05	59	472 8772-01	49	472 9715-01	15
471 8850-70	43	472 6003-04	59	472 8773-01	13	472 9715-01	17
471 8860-63	37	472 6004-01	59	472 8774-02	37	472 9716-01	7
471 8860-63	39	472 6005-01	59	472 8774-02	39	472 9717-01	7
471 8860-63	41	472 6005-10	59	472 8774-02	41	472 9719-01	7
471 8910-90	35	472 6006-01	59	472 8777-01	19	472 9720-02	21
471 8910-91	35	472 6011-00	49	472 8778-01	9	472 9727-01	43
471 8964-02	19	472 6011-01	49	472 8779-01	9	472 9729-01	43
471 8964-06	21	472 6011-03	43	472 8782-01	7	472 9742-01	9
471 8966-13	35	472 6012-00	49	472 8785-01	35	472 9745-01	21
471 8970-02	15	472 6013-00	49	472 8786-01	23	472 9746-01	21
471 8971-02	19	472 6015-00	49	472 8788-17	45	472 9763-01	9
471 8975-02	17	472 6016-00	49	472 8788-23	47	472 9764-01	9
471 8975-07	17	472 6017-00	49	472 8788-25	47	472 9768-01	25
471 8975-09	17	472 6026-01	9	472 8788-28	47	472 9768-01	27
471 9000-59	25	472 6082-01	15	472 8788-30	47	472 9770-01	25
471 9000-59	27	472 6082-01	17	472 8788-31	47	472 9770-02	25
471 9027-85	37	472 6147-00	49	472 8788-33	47	472 9772-01	25
471 9027-85	39	472 6195-01	49	472 8791-11	45	472 9772-02	27
471 9027-85	41	472 6760-01	43	472 8791-12	45	472 9773-03	25
471 9041-22	37	472 6764-01	43	472 8791-12	47	472 9773-04	25
471 9041-22	39	472 6767-02	43	472 8791-13	45	472 9775-01	23
471 9201-72	37	472 6770-02	43	472 8791-17	47	472 9778-01	9
471 9201-72	39	472 6772-01	43	472 8791-39	47	472 9797-02	13
471 9222-59	25	472 8706-02	13	472 8793-25	47	472 9797-04	13
471 9222-59	27	472 8706-04	13	472 8793-26	47	472 9900-20	19
471 9525-24	41	472 8707-04	13	472 8793-27	47	472 9900-25	7
471 9525-27	41	472 8707-12	13	472 8793-40	47	472 9901-38	25
471 9528-01	35	472 8714-01	13	472 8793-50	37	472 9901-39	27
471 9529-01	37	472 8717-01	9	472 8793-50	41	472 9901-40	25
471 9529-01	39	472 8719-02	25	472 8805-01	19	472 9901-40	27
471 9529-11	41	472 8719-02	27	472 8805-02	19	472 9901-41	25
471 9550-07	39	472 8721-01	13	472 8807-01	19	472 9901-41	27
471 9550-19	7	472 8722-01	7	472 8809-01	25	472 9902-59	59
471 9559-02	41	472 8722-01	49	472 8809-01	27	472 9903-99	37
471 9619-41	15	472 8723-01	13	472 8810-01	13	472 9903-99	39
471 9619-41	17	472 8724-01	9	472 8811-01	23	472 9904-86	37
471 9622-02	37	472 8725-01	23	472 8813-01	7	472 9904-86	39
471 9622-51	37	472 8726-01	23	472 8814-01	7	472 9904-86	41
471 9629-02	21	472 8728-01	23	472 8817-01	9	472 9913-22	9
471 9631-01	15	472 8729-01	23	472 8856-01	23	472 9913-43	47
471 9631-01	17	472 8731-01	23	472 8857-01	23	722 7969-09	7
471 9633-02	9	472 8733-01	7	472 8859-01	35	724 1218-01	35
471 9636-01	43	472 8734-01	23	472 8860-01	39	724 1220-01	19
471 9652-01	17	472 8735-01	13	472 8863-02	35	724 1226-01	35
471 9652-02	17	472 8746-01	7	472 8865-01	35	724 1228-01	9
471 9663-03	9	472 8746-02	7	472 8870-01	9	724 1228-01	19
471 9663-04	9	472 8754-01	7	472 8895-01	35	724 1230-01	9
471 9727-01	49	472 8754-01	49	472 8916-01	17	724 1285-01	29
471 9727-02	49	472 8754-02	49	472 8922-01	17	724 1285-01	31
471 9733-01	9	472 8755-01	23	472 8953-01	7	724 1289-01	13
471 9733-02	9	472 8759-01	13	472 8954-01	7	724 1289-92	23
471 9733-03	9	472 8760-01	29	472 8955-01	9	724 1295-01	49
471 9733-09	9	472 8760-01	31	472 8957-02	9	724 1303-01	13
471 9810-04	9	472 8760-01	33	472 8962-01	9	724 1303-01	49
471 9810-05	9	472 8761-01	7	472 8967-01	13	724 1323-01	49
471 9810-06	9	472 8761-01	43	472 8967-02	13	724 3291-42	9
471 9810-07	9	472 8762-01	23	472 8967-03	13	724 3291-42	13
471 9812-12	9	472 8763-01	37	472 8967-04	13	725 2331-51	21
471 9812-13	9	472 8763-01	39	472 8973-01	15	725 2331-51	35
471 9812-17	9	472 8764-01	15	472 8973-01	17	725 2364-61	43

Numerical index/Numerical index

Art.No/Réf. article	Page/Page	Art.No/Réf. article	Page/Page	Art.No/Réf. article	Page/Page	Art.No/Réf. article	Page/Page
725 2366-61	7	736 2840-51	13				
725 2366-61	9	736 2840-51	49				
725 2366-61	11	737 2297-40	23				
725 2366-61	13	762 1182-10	37				
725 2366-61	25	762 1182-10	39				
725 2366-61	27	762 1182-10	41				
725 2374-51	7	762 1182-10	43				
725 2459-51	7	762 3131-01	49				
725 2466-51	7	762 7207-57	35				
725 2499-61	7	762 8801-21	37				
725 2507-51	7	762 8801-21	39				
725 2511-51	7	762 8802-21	37				
725 5337-01	23	762 8802-21	39				
725 6333-42	15	762 9105-05	29				
725 6333-42	17	762 9105-05	31				
725 6333-42	19	762 9105-05	33				
729 5279-01	49	762 9105-05	43				
729 5340-42	9	763 1101-03	17				
729 5342-01	13	763 1102-03	15				
729 5342-01	29	763 1102-03	17				
729 5342-01	31	767 5101-91	37				
729 5342-01	43	767 5101-91	39				
731 2310-01	9	767 5101-91	41				
731 2310-01	19	767 5101-92	37				
731 2310-01	35	767 5102-92	37				
731 2312-01	11	767 5102-92	39				
731 2312-01	13	767 5103-09	37				
731 2312-01	17	767 5103-09	39				
731 2312-01	35	767 5103-09	41				
731 2312-01	49	767 5103-09	43				
731 2314-01	35	767 5803-09	37				
731 2314-42	59	877 5211-08	29				
731 2316-01	7	877 5211-08	31				
732 2110-01	9	877 5211-08	33				
732 2112-01	11						
732 2112-01	49						
732 2114-01	21						
732 2114-92	9						
732 2118-01	7						
732 2118-01	9						
732 2118-01	25						
732 2118-01	27						
732 2120-01	7						
734 1124-01	35						
734 1136-49	9						
734 1146-09	21						
734 1164-01	7						
734 1164-01	9						
734 1173-31	7						
734 1808-51	21						
735 2136-01	13						
735 2146-01	49						
735 2153-01	7						
735 3130-00	25						
735 3130-00	27						
735 3148-10	27						
736 2146-11	7						
736 2150-11	13						
736 2816-51	29						
736 2816-51	31						
736 2816-51	33						
736 2825-51	43						
736 2828-51	59						
736 2834-51	25						
736 2837-51	7						
736 2840-51	7						







## **WASCOMAT**

461 Doughty Blvd., Inwood, L.I., N.Y. 11096-0338

Telephone: 516-371-4400

Parts and Service FAX: 516-371-4029

Sales and Administration FAX: 516-371-4204