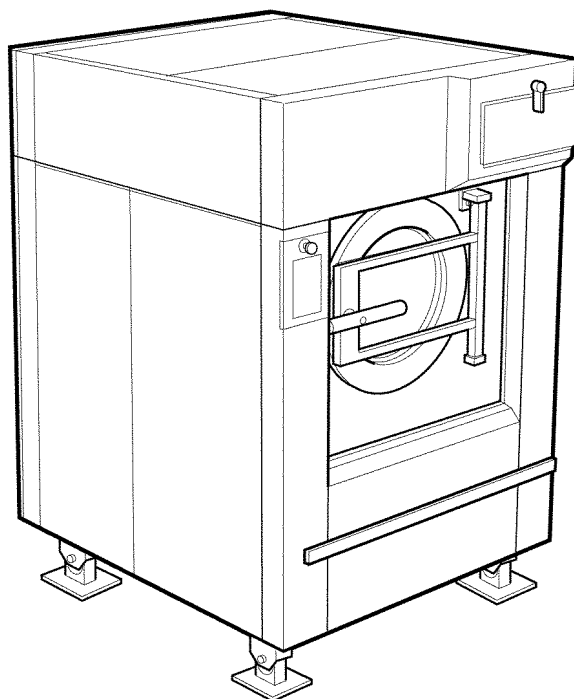


WASCOMAT

Spare Parts Catalogue

Catalogue de pièces de rechange



EX-100c

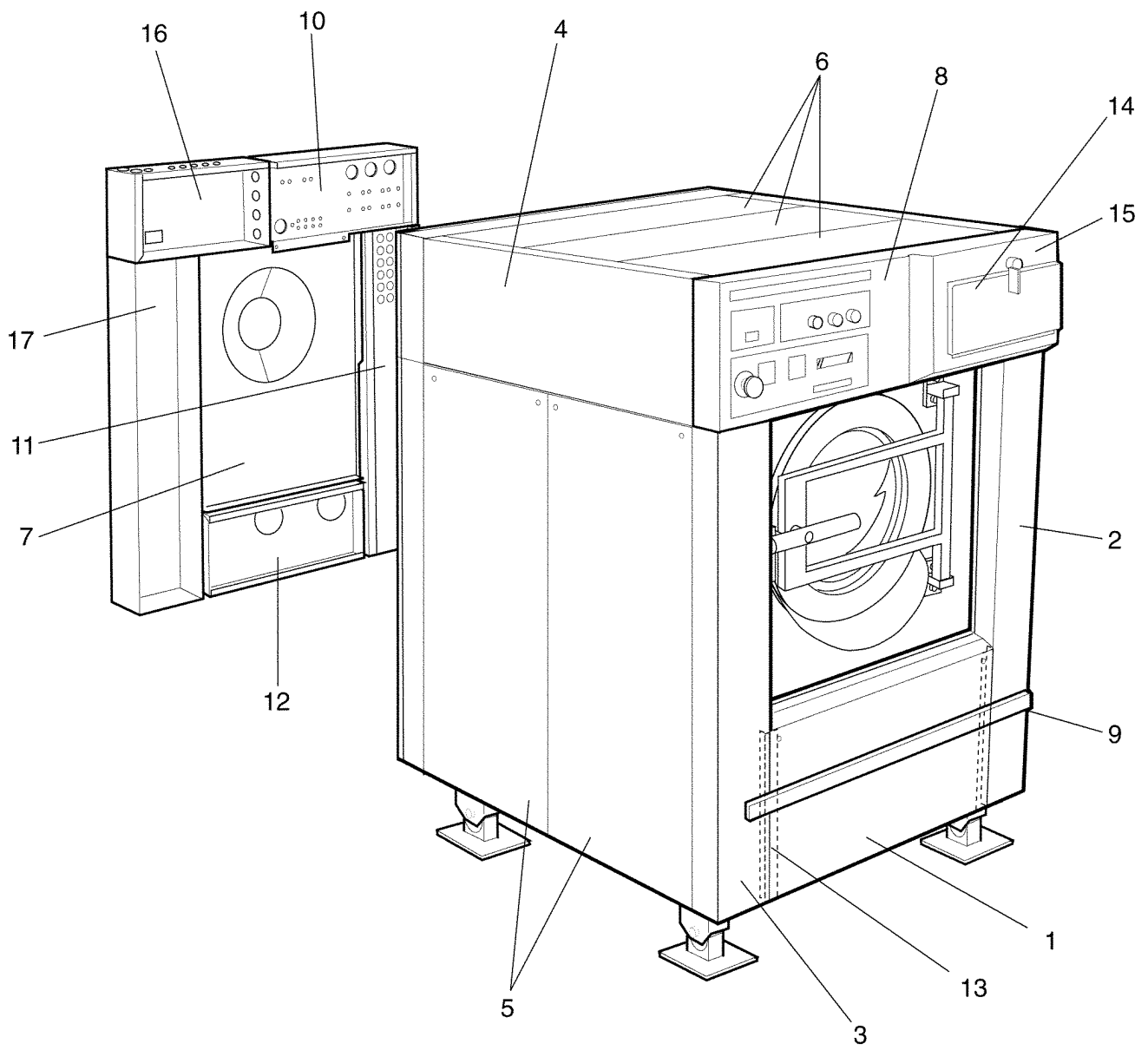
List of issues

EX-100c

| Illustration | Page | Table of contents |
|--------------|------|--|
| 100046 | 91 | Inlet valve 3/4", 3-way |
| 100322 | 47 | Suspension |
| 100515 | 93 | Inlet valve 3/4", 4-way |
| 100568 | 95 | Inlet valve 1/2", 3/4", 1", 1 1/4", 2" |
| 101422 | 11 | Frame |
| 101423 | 43 | Motor |
| 101424 | 13 | Outer and inner drum |
| 101425 | 15 | Bearing house with bearings |
| 101426 | 33 | Door |
| 101427 | 7 | Panels |
| 101428 | 49 | Drain and hoses |
| 101429 | 57 | Water connections |
| 101431 | 63 | Water connection, detergent container |
| 101432 | 53 | Drain valve |
| 101433 | 71 | Level tube and test tap |
| 101434 | 73 | Tilt, forward and forward/backward |
| 101435 | 19 | Electric cabinet, front |
| 101436 | 21 | Electric cabinet, upper rear |
| 101437 | 25 | Electric cabinet, lower rear |
| 101438 | 51 | Drain valve and hoses, water recovery |
| 101452 | 69 | Dispensing components |
| 101454 | 17 | Control panel |
| 101460 | 61 | Return water connection via pump |
| 101461 | 59 | Third water valve |
| 101463 | 77 | Funnel |
| 101464 | 55 | Steam components |
| 101468 | 37 | Door lock |
| 101469 | 41 | Microswitch, door |
| 101473 | 79 | Insulation |
| 101480 | 83 | Spray components |
| 101487 | 39 | Door lock |
| 101490 | 9 | Panels |
| 101618 | 31 | Electric cabinet, front |
| 101619 | 29 | Electric cabinet, rear |
| 101620 | 75 | Tilt, forward and forward/backward |
| 101621 | 81 | Insulation |
| 101622 | 65 | Water connection, detergent container |
| 101623 | 67 | Water connection liquid detergent |
| 101650 | 45 | Out of balance switch |
| 101665 | 89 | Weighing device |
| 101683 | 85 | Cables |
| 101684 | 87 | Kablage Option |
| 101795 | 23 | Relay box |
| 102192 | 35 | Door |

EX-100c

| Table of contents | Table des matières | Page/Page |
|--|---|-----------|
| Panels | Plaques | 7 |
| Panels | Plaques | 9 |
| *Frame | Base | 11 |
| Outer and inner drum | Tambour extérieur et intérieur | 13 |
| Bearing house with bearings | Logement de palier avec palier | 15 |
| Control panel | Pupitre de commande | 17 |
| Electric cabinet, front | Armoire électrique, avant | 19 |
| Electric cabinet, upper rear | Armoire électrique, arrière supérieure | 21 |
| Relay box | Relay box | 23 |
| Electric cabinet, lower rear | Armoire électrique, arrière inférieure | 25 |
| Electric cabinet, rear | Armoire électrique, arrière | 29 |
| Electric cabinet, front | Armoire électrique, avant | 31 |
| Door | Plaque | 33 |
| Door | Plaque | 35 |
| Door lock | Serrure de porte | 37 |
| Door lock | Serrure de porte | 39 |
| Microswitch, door | Microrupteur, plaque | 41 |
| Motor | Moteur | 43 |
| Out of balance switch | Commutateur asymétrique | 45 |
| Suspension | Ressorts de suspension | 47 |
| Drain and hoses | Ecoulement et flexibles | 49 |
| Drain valve and hoses, water recovery | Purgeur et flexibles, recyclage | 51 |
| Drain valve | Vanne de vidange | 53 |
| Steam components | Composants | 55 |
| Water connections | Raccords d'eau | 57 |
| Third water valve | Soupapes vapeur et eau | 59 |
| Return water connection via pump | Raccord eau retour par pompe | 61 |
| Water connection, detergent container | Raccord eau compartiment à savon | 63 |
| Water connection, detergent container | Raccord eau compartiment à savon | 65 |
| Water connection liquid detergent | Raccord eau produit de lavage liquide | 67 |
| Dispensing components | Distributeur de savon | 69 |
| Level tube and test tap | Tuyau de niveau et robinet de test | 71 |
| Tilt, forward and forward/backward | Basculement, avant et avant/arrière | 73 |
| Tilt, forward and forward/backward | Basculement, avant et avant/arrière | 75 |
| Funnel | Cône | 77 |
| Insulation | Isolation | 79 |
| Insulation | Isolation | 81 |
| Spray components | Composants vaporisateur | 83 |
| Cables | Câble | 85 |
| Kablage Option | Kablage Option | 87 |
| Weighing device | Unité de balance | 89 |
| Inlet valve 3/4", 3-way | Soupape de admission 3/4", 3 voies | 91 |
| Inlet valve 3/4", 4-way | Soupape de admission 3/4", 4 voies | 93 |
| Inlet valve 1/2", 3/4", 1", 1 1/4", 2" | Soupape de admission 1/2", 3/4", 1", 1 1/4", 2" | 95 |



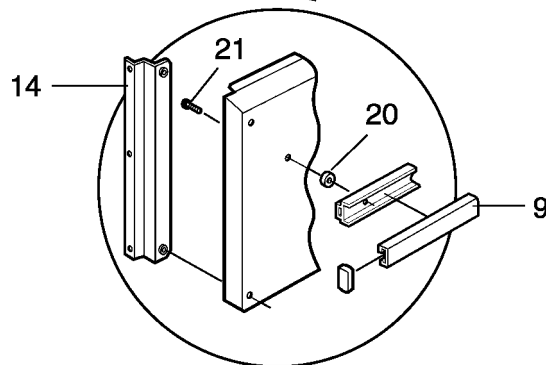
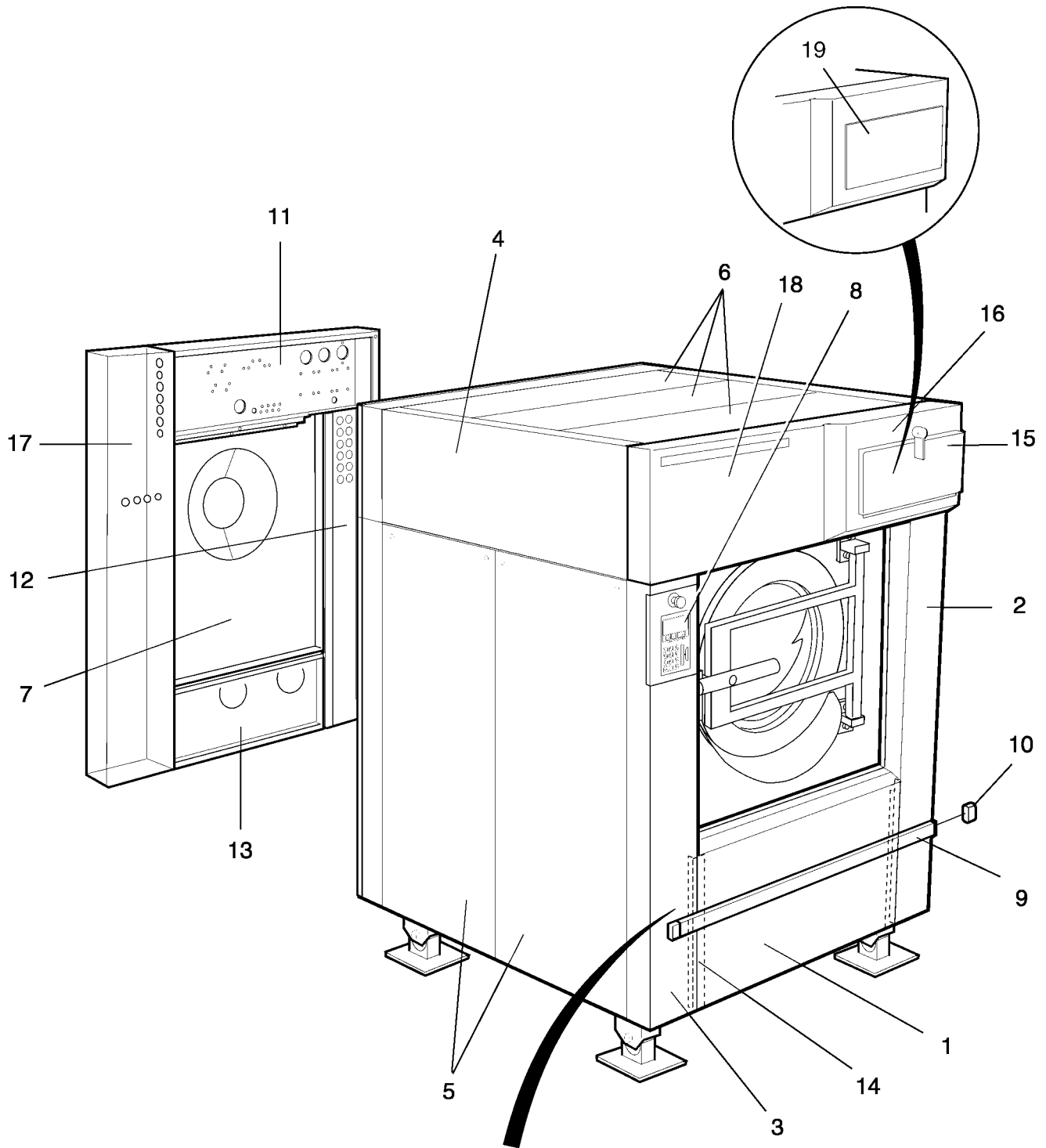
EX-100c -98/999

Panels

Plaques

Illustration Issue Month Year
Schéma Issue Month Year
101427 2 10 2000

| Item Article | Qua. Qua. | Art.No Réf. article | Description | Description | Info Info | Notes Remarques |
|-----------------|--------------|------------------------|------------------|-------------------|--------------|---------------------|
| 1 | 1 | 438 4905-01 | Front panel | Panneau avant | 3 | |
| 2 | 1 | 438 4900-01 | Pillar | Montant | 3 | Right |
| 3 | 1 | 438 4901-01 | Pillar | Montant | 3 | Left |
| 4 | 2 | 438 4929-01 | Side panel | Panneau latéral | 3 | Upper |
| 5 | 4 | 438 4930-01 | Side panel | Panneau latéral | 3 | Lower |
| 6 | 3 | 438 4931-01 | Top panel | Couvercle | 3 | |
| 7 | 1 | 432 0038-01 | Rear panel | Panneau arrière | 3 | |
| 8 | 1 | | Control unit | Unité de contrôle | | See illustr. 101454 |
| 9 | RQ | 471 5564-01 | Strip | Ruban | 3 | |
| 10 | 1 | 438 4941-01 | Plate | Plaque | 3 | |
| 11 | 1 | 438 4942-01 | Plate | Plaque | 3 | White |
| 12 | 1 | 432 0039-01 | Beam | Poutre | 3 | SINGLE DRAIN |
| | 1 | 432 0039-02 | Beam | Poutre | 3 | White 2 DRAIN |
| 13 | 2 | 438 4904-01 | Angle bracket | Angle | 3 | |
| 14 | 1 | | Control unit | Unité de contrôle | | |
| 15 | 1 | 438 4964-01 | Cover | Couvercle | 3 | Grey |
| 16 | 1 | | Electric cabinet | Passage de câbles | | |
| 17 | 1 | | Electric cabinet | Passage de câbles | 3 | |



| Issue | Month | Year |
|-------|-------|------|
| 05 | 06 | 09 |

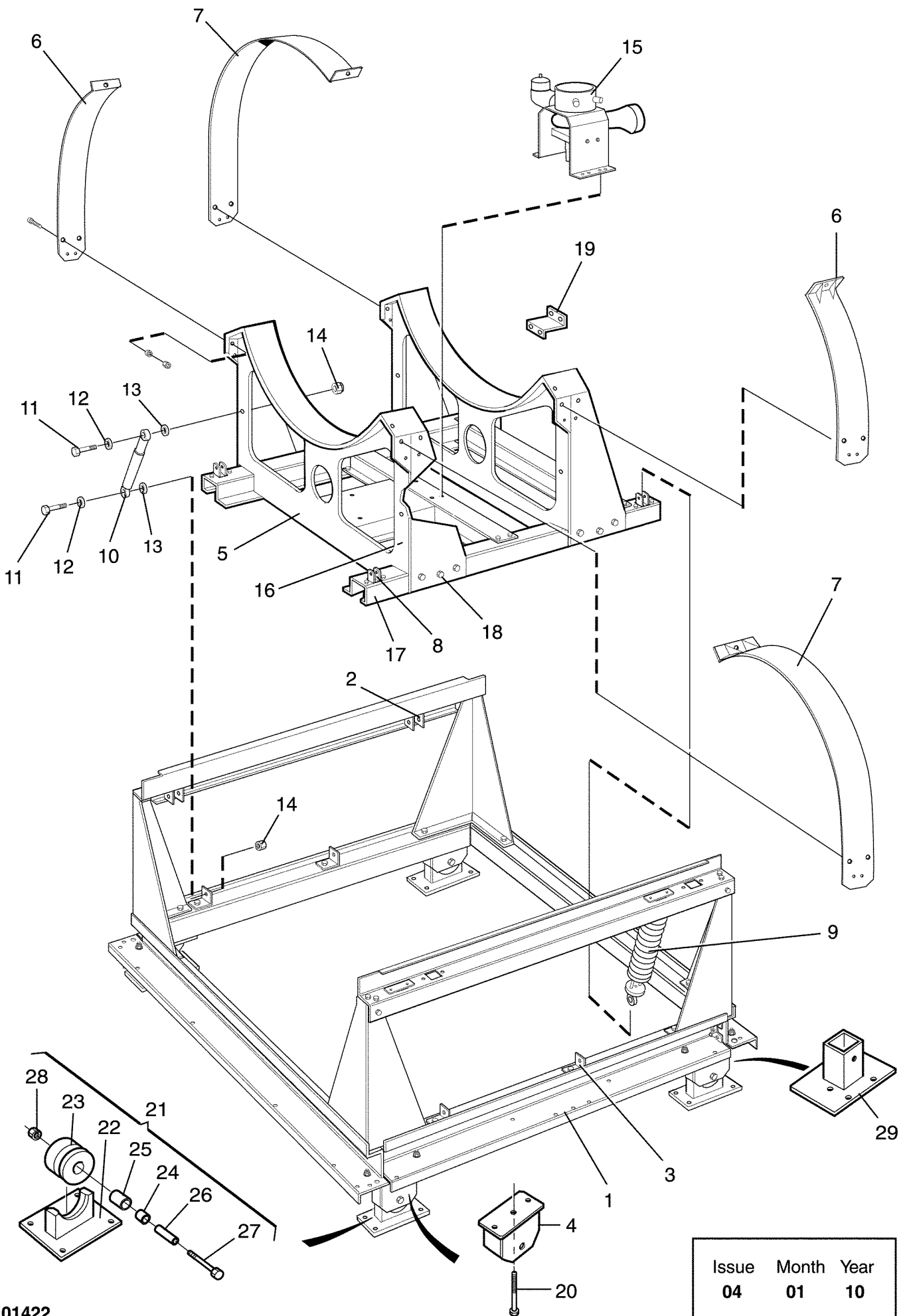
EX-100c 98/1000-

Panels

Plaques

Illustration Issue Month Year
Schéma Issue Month Year
101490 6 12 2001

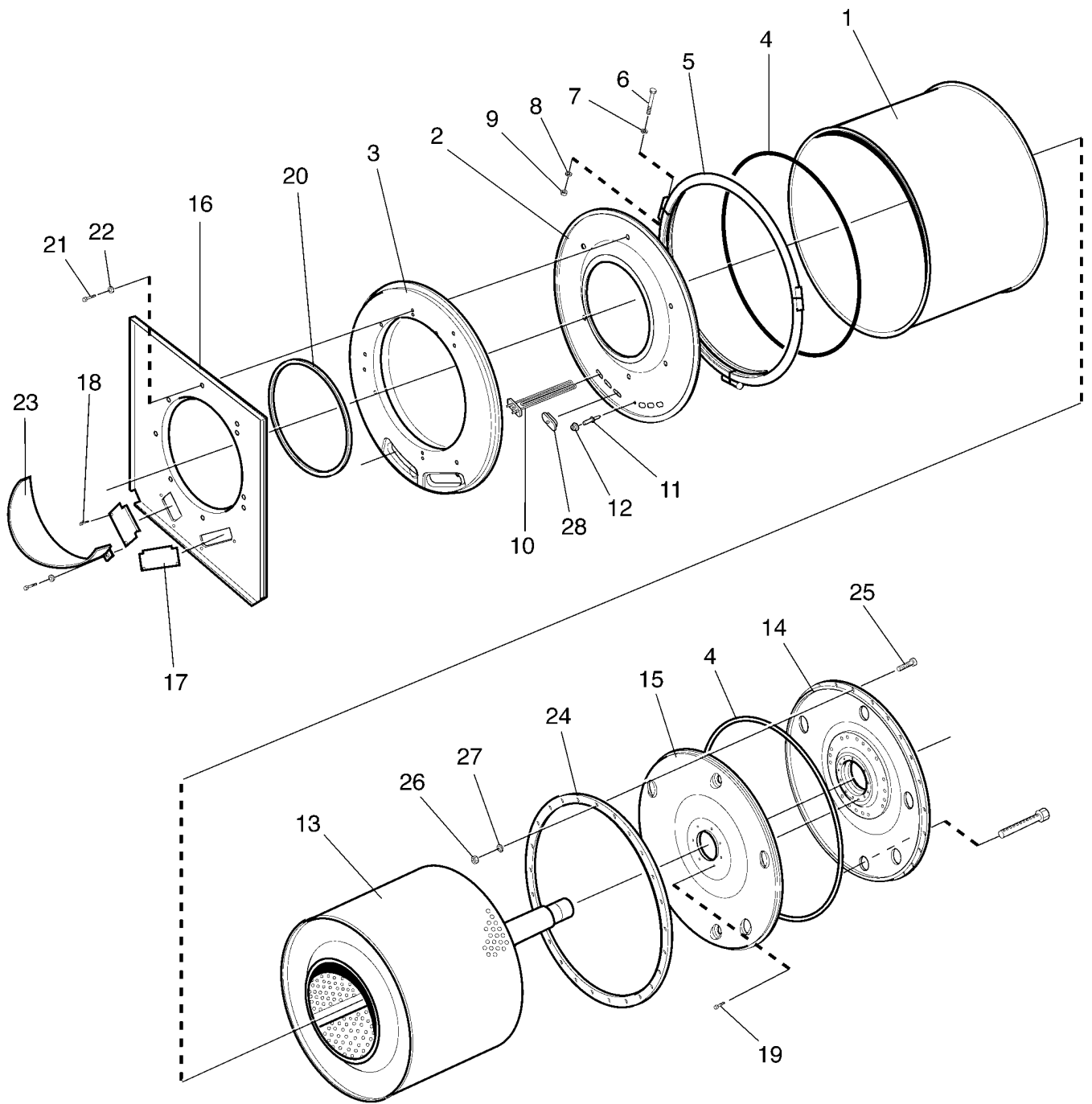
| Item Article | Qua. Qua. | Art.No Réf. article | Description | Description | Info Info | Notes Remarques |
|-----------------|--------------|------------------------|---------------------|----------------------|--------------|--------------------------------------|
| 1 | 1 | 432 0134-01 | Front panel | Panneau avant | 3 | |
| 2 | 1 | 432 0132-01 | Pillar | Montant | 3 | |
| 3 | 1 | 432 0133-01 | Pillar | Montant | 3 | |
| 4 | 2 | 438 4929-01 | Side panel | Panneau latéral | 3 | White |
| | 2 | 438 4929-02 | Side panel | Panneau latéral | 3 | Stainless |
| | 2 | 438 4929-03 | Side panel | Panneau latéral | 3 | Grey |
| 5 | 4 | 438 4930-01 | Side panel | Panneau latéral | 3 | White |
| | 4 | 438 4930-03 | Side panel | Panneau latéral | 3 | Stainless |
| | 1 | 438 4930-02 | Side panel | Panneau latéral | 3 | For level tube and tap |
| | 1 | 438 4930-04 | Side panel | Panneau latéral | 3 | For level tube and tap, stainless |
| | 1 | 438 4930-05 | Side panel | Panneau latéral | 3 | Grey |
| 6 | 3 | 438 4931-01 | Top panel | Couvercle | 3 | White |
| | 3 | 438 4931-02 | Top panel | Couvercle | 3 | Stainless |
| | 3 | 438 4931-03 | Top panel | Couvercle | 3 | Grey |
| 7 | 1 | 432 0155-01 | Rear panel | Panneau arrière | 3 | |
| | 1 | 432 0155-02 | Rear panel | Panneau arrière | 3 | Grey |
| 8 | 1 | | Front panel | Panneau avant | | |
| 9 | RQ | 471 5564-00 | Safety strip | Lame sécurité plomb | 3 | |
| 10 | 2 | 471 9204-93 | Sleeve | Manchon | 3 | |
| 11 | 1 | 432 0140-01 | Plate | Plaque | 3 | |
| | 1 | 432 0140-02 | Plate | Cloison | 3 | Grey |
| 12 | 1 | 438 4942-01 | Plate | Plaque | 3 | White |
| | 1 | 438 4942-02 | Plate | Cloison | 3 | Grey |
| 13 | 1 | 432 0039-02 | Beam | Poutre | 3 | White |
| | 1 | 432 0039-03 | Beam | Poutre | 3 | Grey |
| 14 | 2 | 438 4904-01 | Angle bracket | Angle | 3 | -99/1171 |
| | 2 | 432 0442-02 | Angle bracket | Angle | 3 | 99/1172- |
| 15 | 1 | | Detergent container | Compartiment à savon | | |
| 16 | 1 | 438 4964-01 | Cover | Couvercle | 3 | Grey |
| | 1 | 438 4964-02 | Cover | Couvercle | 3 | Stainless |
| | 1 | 438 4964-03 | Cover | Couvercle | 3 | Silver |
| 17 | 1 | 432 0118-01 | Electric cabinet | Passage de câbles | 3 | |
| | 1 | 432 0118-02 | Electric cabinet | Passage de câbles | 3 | Grey |
| 18 | 1 | 432 0135-01 | Front panel | Panneau avant | 3 | Upper |
| | 1 | 432 0135-02 | Front panel | Panneau avant | 3 | Stainless |
| | 1 | 432 0135-03 | Front panel | Panneau avant | 3 | Silver |
| 19 | 1 | 438 4912-01 | Cover plate | Plaque recouvrement | 3 | |
| | 1 | 438 4912-02 | Cover plate | Couvercle | 3 | Silver |
| 20 | 3 | 432 0443-01 | Spacer | Entretoise | 3 | 99/1172- |
| 21 | 3 | 725 2451-51 | Screw | Vis | 3 | M8X20 99/1172- |



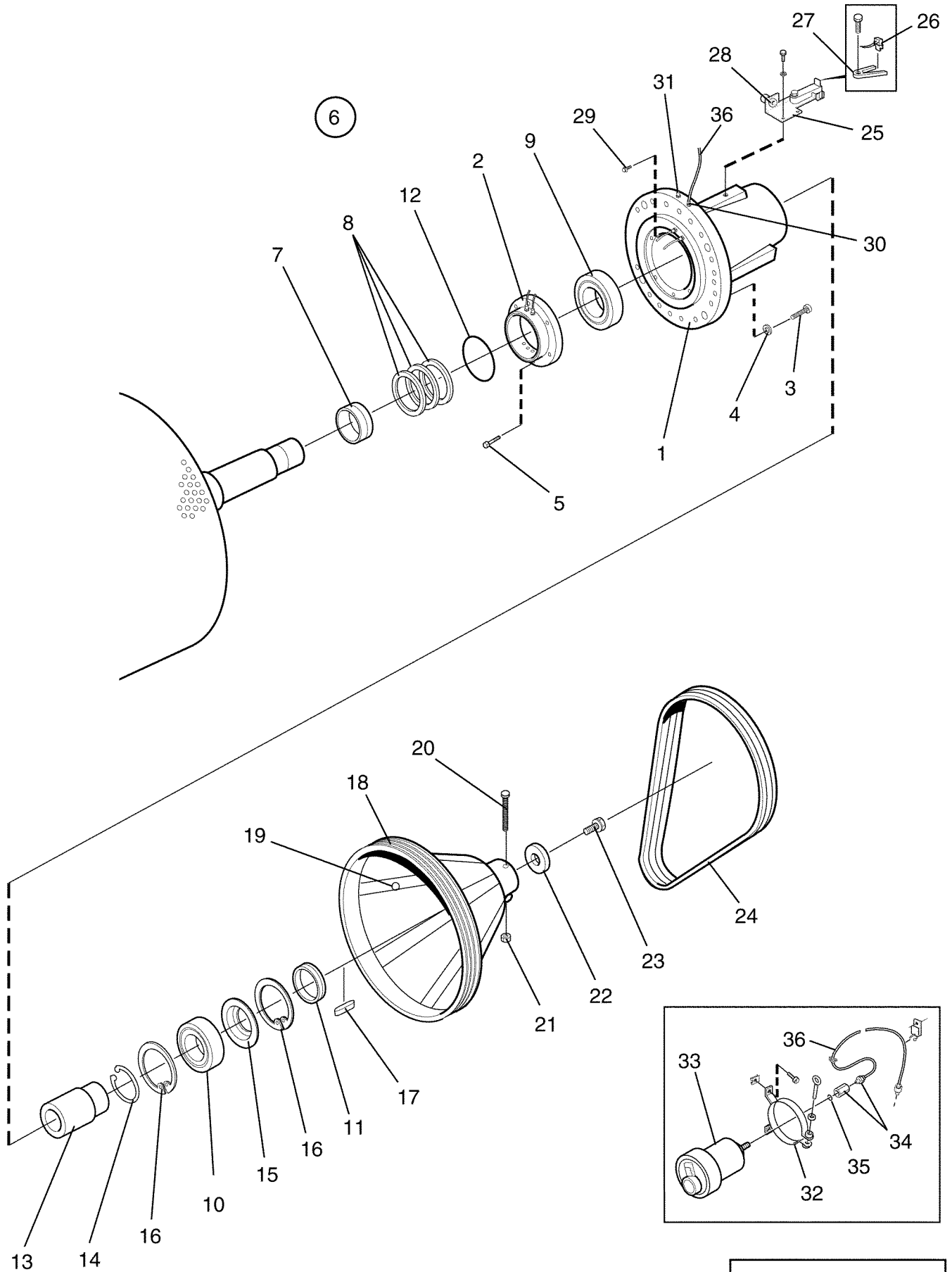
101422

| Issue | Month | Year |
|-------|-------|------|
| 04 | 01 | 10 |

| EX-100c | | | | | Illustration | Issue | Month | Year |
|----------------|------|--------------------|--------------------|----------------------|---------------|---------------------------|----------|-------------|
| Frame | | | | | Schéma | Issue | Month | Year |
| Base | | | | | 101422 | 4 | 1 | 2010 |
| Item | Qua. | Art.No | Description | Description | Info | Notes | | |
| Article | Qua. | Réf. article | | | Info | Remarques | | |
| 1 | 1 | 438 4980-01 | Outer frame | Châssis extérieur | 3 | Complete | | |
| 2 | 4 | 432 0005-01 | •Spring retainer | •Montage suspension | 3 | | | |
| 3 | 4 | 432 0021-01 | •Bracket | •Support de montage | 3 | | | |
| 4 | 4 | 432 0008-01 | •Foot | •Pied | 3 | Upper part, fixed/tilting | | |
| 5 | 1 | 438 4979-01 | Frame | Base | 3 | Complete | | |
| 6 | 2 | 432 0019-01 | •Stretching device | •Dispositif tendeur | 3 | SHORT | | |
| 7 | 2 | 432 0017-01 | •Stretching device | •Dispositif tendeur | 3 | LONG | | |
| 8 | 4 | 432 0005-01 | •Spring retainer | •Montage suspension | 3 | | | |
| 9 | 4 | | Suspension unit | Organe de suspension | | | | |
| 10 | 4 | 471 8252-05 | Shock absorber | Frotteurs | 1,2 | | | |
| 11 | 8 | 725 2501-51 | Screw | Vis | 3 | M10X50 | | |
| 12 | 16 | 734 1173-01 | Washer | Rondelle | 3 | BRB 10,5X21 | | |
| 13 | 8 | 471 9074-04 | Washer | Rondelle | 3 | 10,5X28 | | |
| 14 | 8 | 732 2120-01 | Locking nut | Contre-écrou | 3 | M10 | | |
| 15 | 1 | | Drain valve | Vanne de vidange | | | | |
| 16 | 1 | 432 0102-01 | Counterweight | Contrepoids | 3 | | | |
| 17 | 2 | 432 0010-01 | Beam | Poutre | 3 | | | |
| 18 | 12 | 725 2493-51 | Screw | Vis | 3 | M10X25 | | |
| | 12 | 732 2120-01 | Locking nut | Contre-écrou | 3 | M10 | | |
| 19 | 1 | 432 0023-01 | Bracket | Support | 3 | | | |
| * 20 | 4 | 725 2548-51 | Screw | Vis | 3 | M12X80 | | |
| * 21 | 4 | 472 6818-03 | Foot | Pied | 3 | Complete | | |
| * 22 | 1 | 472 6812-01 | •Bracket | •Support de montage | 3 | | | |
| * 23 | 1 | 472 6810-01 | •Wheel | •Roue | 3 | | | |
| * 24 | 1 | 471 8576-03 | •Bushing | •Douille | 3 | 20/28X20 | | |
| * 25 | 1 | 471 8576-04 | •Bushing | •Douille | 3 | 20/28X30 | | |
| * 26 | 1 | 472 6814-01 | •Bushing | •Douille | 3 | | | |
| * 27 | 1 | 725 2636-51 | •Screw | •Vis | 3 | M16X80 | | |
| * 28 | 1 | 732 2124-01 | •Locking nut | •Contre-écrou | 3 | M16 | | |
| * 29 | 4 | 472 6817-01 | Foot | Pied | 3 | | | |



| EX-100c | | | | Illustration | Issue | Month | Year |
|---------------------------------------|--------------|------------------------|-------------------|----------------------|--------------|--------------------|-------------|
| Outer and inner drum | | | | Schéma | Issue | Month | Year |
| Tambour extérieur et intérieur | | | | 101424/3 | 7 | 3 | 2005 |
| Item Article | Qua. Qua. | Art.No Réf. article | Description | Description | Info Info | Notes Remarques | |
| 1 | 1 | 432 0083-01 | Outer drum | Extérieur du tambour | 3 | | |
| 2 | 1 | 472 6212-03 | End piece | Pignon | 3 | | |
| 3 | 1 | 438 4970-01 | Counterweight | Contrepoids | 3 | | |
| 4 | 2 | 471 4009-60 | Gasket | Bande de garniture | 3 | | |
| 5 | 3 | 438 4994-01 | Stretching device | Dispositif tendeur | 3 | | |
| 6 | 3 | 725 2518-51 | Screw | Vis | 3 | M6S 10X140 | |
| 7 | 3 | 734 1173-01 | Washer | Rondelle | 3 | BRB 10,5X21 | |
| 8 | 3 | 734 1173-01 | Washer | Rondelle | 3 | BRB 10,5X21 | |
| 9 | 3 | 732 2120-01 | Locking nut | Contre-écrou | 3 | M10 | |
| 10 | 6 | 471 9811-30 | Heating element | Elément chauffant | 1,2 | 6kW 230V | |
| | 6 | 471 9811-31 | Heating element | Elément chauffant | 1,2 | 6kW 254V | |
| | 6 | 471 9811-32 | Heating element | Elément chauffant | 1,2 | 6kW 277V | |
| | 6 | 471 9811-33 | Heating element | Elément chauffant | 1,2 | 6kW 200V | |
| 11 | 1 | 472 9913-22 | Sensor | Capteur | 1,2 | Complete | |
| 12 | 1 | 471 8192-01 | •Bushing | •Douille | 1,2 | | |
| 13 | 1 | 438 4977-01 | Inner drum | Intérieur du tambour | 3 | | |
| 14 | 1 | 438 4998-02 | End piece | Pignon | 3 | | |
| 15 | 1 | 438 4511-01 | Lining | Panneau de renfort | 3 | Complete | |
| 16 | 1 | 438 4965-01 | Trim panel | Panneau d'habillage | 3 | | |
| 17 | 2 | 432 0031-01 | Cover plug | Couvre-bouchon | 3 | | |
| 18 | 4 | 471 8344-33 | Screw | Vis | 3 | M6X10 | |
| 19 | 12 | 471 8320-08 | Screw | Vis | 3 | M8X12 | |
| 20 | 1 | 471 2075-79 | Strip | Ruban | 1 | | |
| 21 | 6 | 725 2451-42 | Screw | Vis | 3 | M8X20 | |
| 22 | 6 | 734 1164-09 | Washer | Rondelle | 3 | BRB 8,4X17 | |
| 23 | 1 | 432 0030-01 | Unloading plate | Unloading plate | 3 | | |
| 24 | 1 | 432 0081-01 | Ring | Anneau | 3 | | |
| 25 | 24 | 725 2501-81 | Screw | Vis | 3 | M10X50 | |
| 26 | 24 | 471 8409-05 | Locking nut | Contre-écrou | 3 | M10 | |
| 27 | 24 | 734 1173-01 | Washer | Rondelle | 3 | BRB 10,5X21 | |
| 28 | 6 | 471 4494-01 | Blind flange | Bride d'obturation | 3 | | |



| Issue | Month | Year |
|-------|-------|------|
| 04 | 10 | 99 |

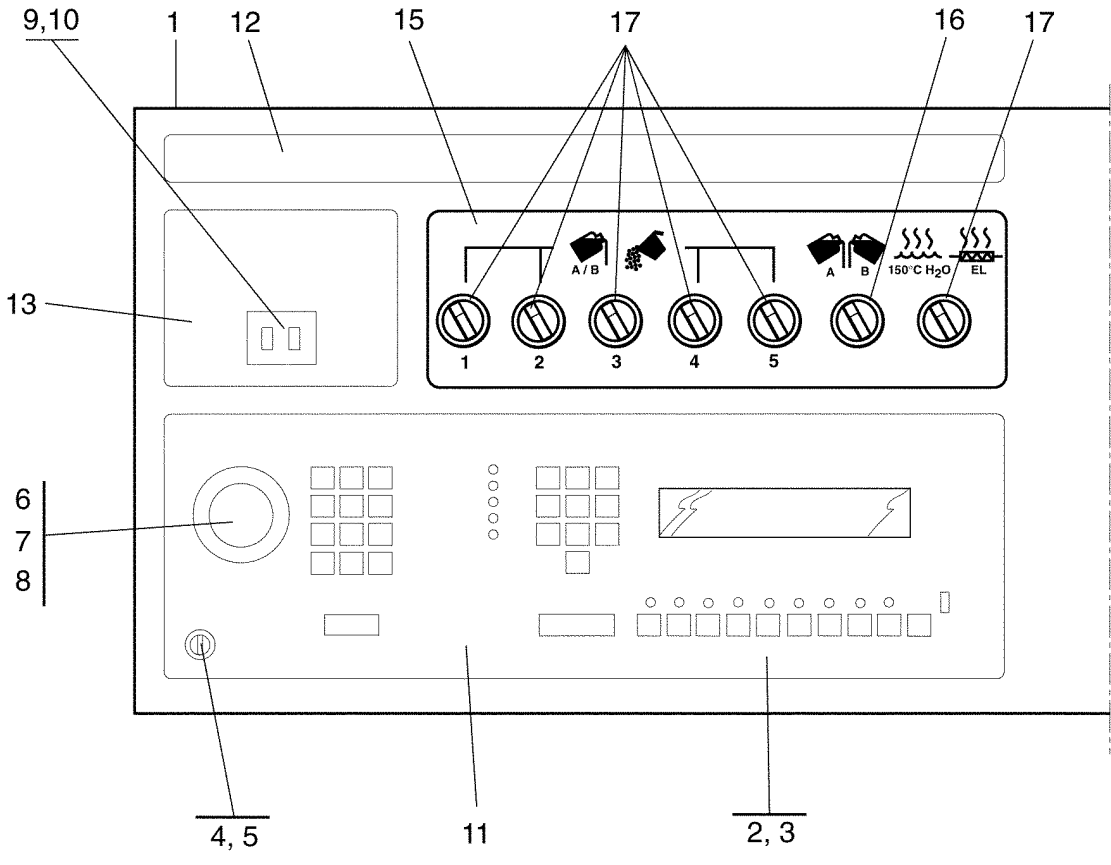
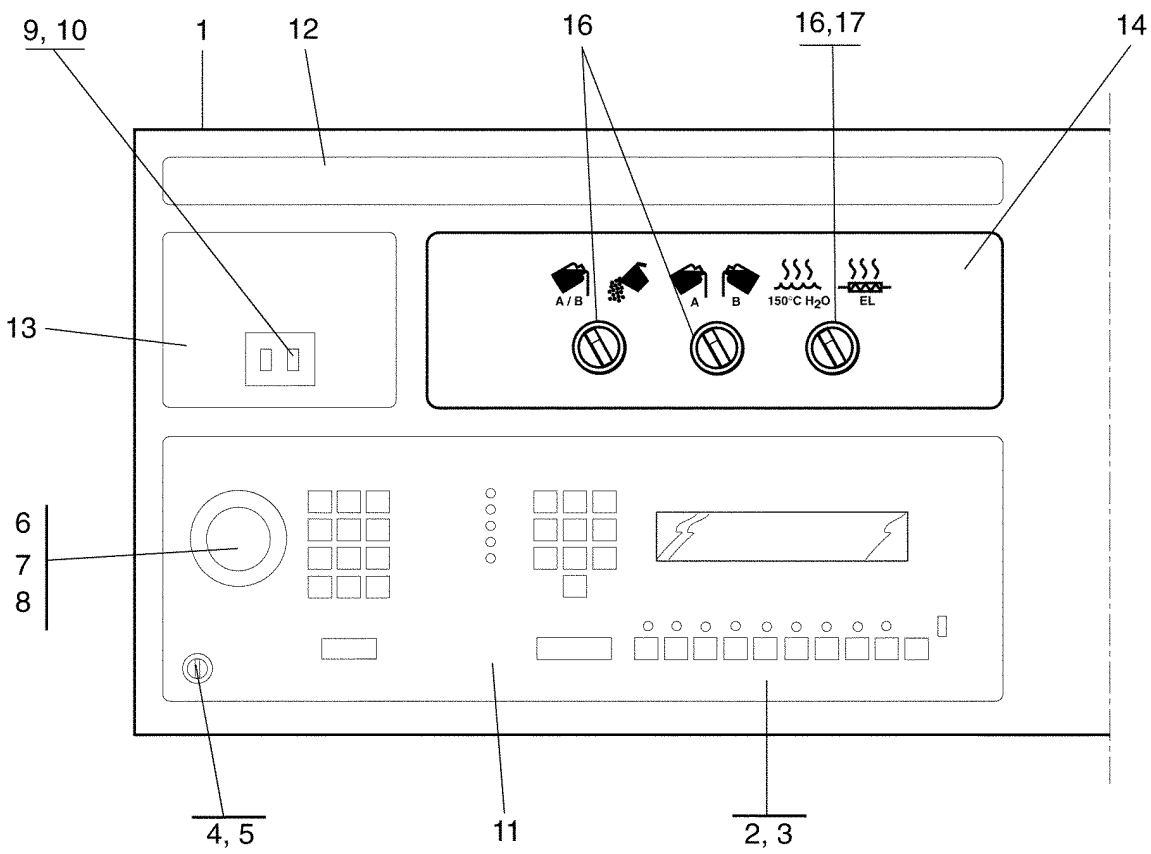
EX-100c

Bearing house with bearings

Logement de palier avec palier

Illustration Issue Month Year
Schéma Issue Month Year
101425/4 7 2 2006

| Item Article | Qua. Qua. | Art.No Réf. article | Description | Description | Info Info | Notes Remarques |
|-----------------|--------------|------------------------|-----------------|-----------------------|--------------|--------------------|
| 1 | 1 | 438 4999-01 | Bearing housing | Logement de palier | 3 | |
| 2 | 1 | 438 4975-01 | Bearing cover | Chapeau de palier | 3 | |
| 3 | 20 | 725 2544-71 | Screw | Vis | 3 | M12X60 |
| 4 | 20 | 734 1178-01 | Washer | Rondelle | 3 | BRB 13X24 |
| 5 | 6 | 725 2459-51 | Screw | Vis | 3 | M8X40 |
| 6 | 1 | 438 4542-01 | Bearing set | Jeu de coussinets | 1,2 | |
| 7 | 1 | | •Bushing | •Douille | | |
| 8 | 3 | | •Seal | •Joint | | |
| 9 | 1 | | •Bearing | •Coussinet | | |
| 10 | 1 | | •Bearing | •Coussinet | | |
| 11 | 1 | | •Seal | •Joint | | |
| 12 | 1 | | •O-ring | •Joint torique | | |
| 13 | 1 | 438 4971-01 | Spacer | Entretoise | 3 | |
| 14 | 1 | 735 3166-00 | C-clamp | Presse à main | 3 | SGA 105 |
| 15 | 1 | 438 4969-01 | Cover plate | Plaque recouvrement | 3 | |
| 16 | 2 | 735 3177-10 | C-clamp | Presse à main | 3 | SGH150 |
| 17 | 1 | 735 9628-00 | Wedge | Poulie courroie V | 3 | 18X11X56 |
| 18 | 1 | 438 4995-01 | Pulley | Poulie | 1 | |
| 19 | 2 | 471 9560-01 | •Magnet | •Aimant | 1 | |
| 20 | 1 | 725 2558-51 | Screw | Vis | 3 | M12X130 |
| 21 | 1 | 732 2122-01 | Locking nut | Contre-écrou | 3 | M12 |
| 22 | 1 | 471 2417-19 | Washer | Rondelle | 3 | |
| 23 | 1 | 725 2624-51 | Screw | Vis | 3 | M16X30 |
| 24 | 1 | 471 7701-65 | V-belt | Courroie trapézoïdale | 1,2 | SET OF 3 PCS |
| 25 | 1 | | | | 3 | Not used |
| 26 | 1 | 471 8985-01 | Sensor | Capteur | 1,2 | |
| 27 | 1 | 438 0363-01 | Bracket | Pièce de retenue | 1 | |
| 28 | 1 | | | | 3 | |
| 29 | 2 | 471 8690-36 | Nipple | Raccord | 3 | |
| 30 | 1 | 471 8688-13 | Nipple | Raccord | 3 | 1/8" |
| 31 | 1 | 471 5109-25 | Plug | Fiche | 3 | |
| 32 | 1 | 471 8276-12 | Bracket | Pièce de retenue | 3 | |
| 33 | 1 | 471 8276-02 | Pump | Pompe | 1,2 | |
| 34 | 1 | 471 8690-72 | Nipple | Raccord | 3 | Complete |
| 35 | 1 | 740 4209-00 | O-ring | Joint torique | 1 | |
| 36 | RQ | 877 5361-02 | Hose | Flexible | 1 | |



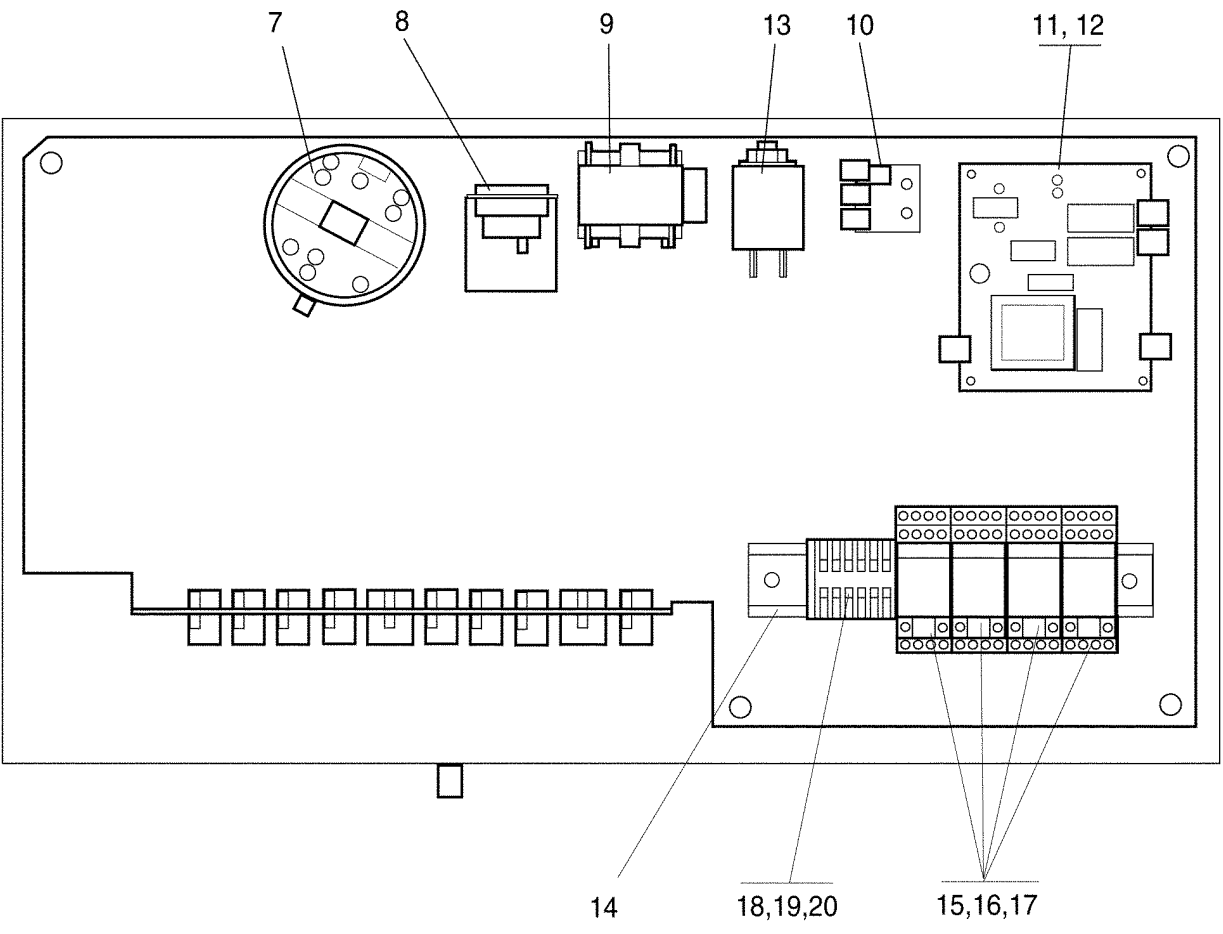
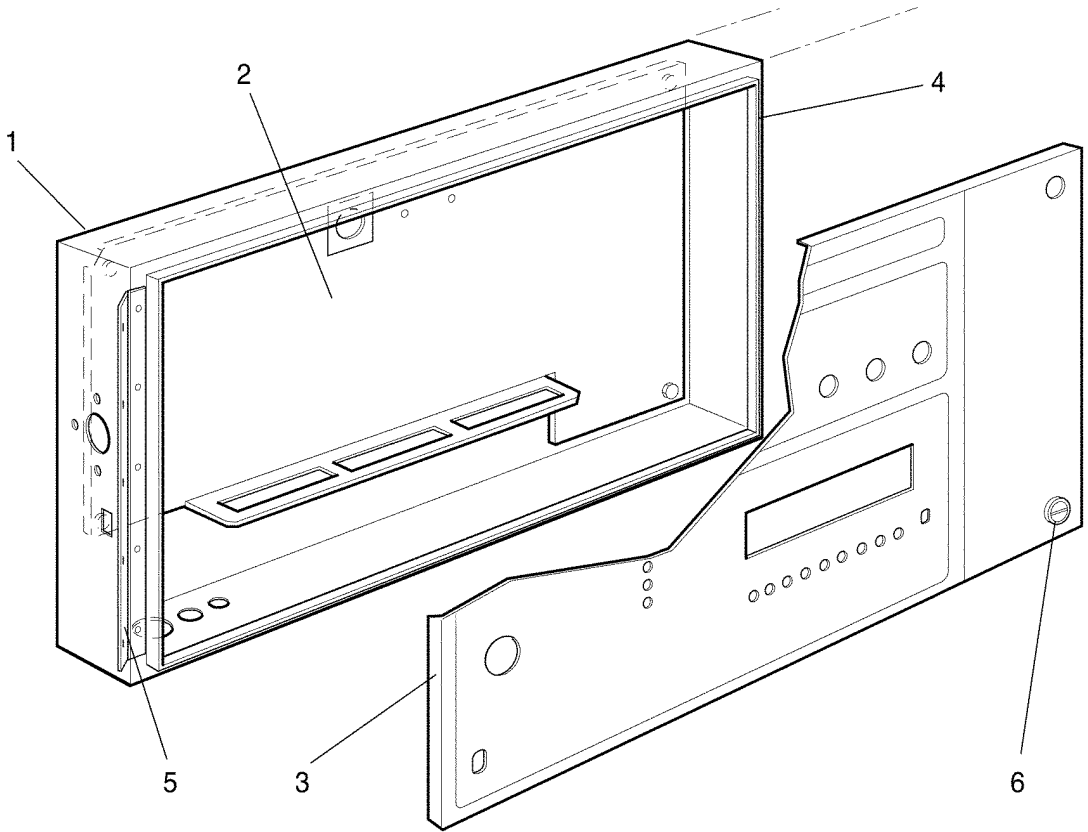
EX-100c -98/999

Control panel

Pupitre de commande

Illustration Issue Month Year
Schéma Issue Month Year
101454 3 10 2000

| Item Article | Qua. Qua. | Art.No Réf. article | Description | Description | Info Info | Notes Remarques |
|-----------------|--------------|------------------------|-----------------------|---------------------|--------------|--------------------|
| 1 | 1 | | Control unit | Unité de contrôle | | |
| 2 | 1 | 471 8977-25 | Printed circuit board | Carte circuit | 1,2 | Complete |
| 3 | 4 | 471 7958-01 | Support | Support | 3 | |
| 4 | 1 | 471 4878-84 | Switch | Commutateur | 1,2 | |
| 5 | 2 | 471 8733-10 | •Key | •Touche | 1 | |
| 6 | 1 | 471 9628-17 | Emergency stop | Arrêt d'urgence | 1,2 | -99/1212 |
| | 1 | 471 9628-32 | Emergency stop | Arrêt d'urgence | 1,2 | 99/1213- |
| 7 | 1 | 471 9628-94 | Socket | Bloc de connexion | 1,2 | -99/1212 |
| | 1 | 471 9628-33 | Contact block | Bloc de connexion | 1,2 | 99/1213- |
| 8 | 1 | 471 9628-99 | Anti-rotation ring | Anneau antirotation | 3 | -99/1212 |
| 9 | 1 | 471 8994-01 | Printed circuit board | Carte circuit | 1,2 | |
| 10 | 1 | 471 9675-01 | Switch | Commutateur | 1,2 | |
| 11 | 1 | 472 5756-01 | Panel sign | Voyant du tableau | 1,2 | English |
| | 1 | 472 5756-02 | Panel sign | Voyant du tableau | 1,2 | Swedish |
| | 1 | 472 5756-04 | Panel sign | Voyant du tableau | 1,2 | German |
| | 1 | 472 5756-05 | Panel sign | Voyant du tableau | 1,2 | Danish |
| | 1 | 472 5756-06 | Panel sign | Voyant du tableau | 1,2 | Norwegian |
| | 1 | 472 5756-07 | Panel sign | Voyant du tableau | 1,2 | Polish |
| | 1 | 472 5756-08 | Panel sign | Voyant du tableau | 1,2 | French |
| | 1 | 472 5756-09 | Panel sign | Voyant du tableau | 1,2 | Spanish |
| | 1 | 472 5756-10 | Panel sign | Voyant du tableau | 1,2 | Finnish |
| 12 | 1 | 471 7699-01 | Type plate | Numéro série plaque | 3 | FLE400FC |
| | 1 | 471 7699-02 | Type plate | Numéro série plaque | 3 | EX 90FC |
| | 1 | 471 7699-03 | Type plate | Numéro série plaque | 3 | HS 2400FC |
| | 1 | 471 7699-04 | Type plate | Numéro série plaque | 3 | CLC 41 |
| 13 | 1 | 471 7580-01 | Sign | Signe | 3 | |
| 14 | 1 | 471 7759-01 | Sign | Signe | 3 | FOR SWITCHES |
| | 1 | 471 7760-01 | Sign | Signe | 3 | NO SWITCHES |
| 15 | 1 | 471 7758-01 | Sign | Signe | 3 | |
| 16 | RQ | 471 9628-19 | Control button | Bouton de commande | 1,2 | |
| 17 | RQ | 471 9628-21 | Control button | Bouton de commande | 1,2 | |



| Issue | Month | Year |
|-------|-------|------|
| 01 | 10 | 96 |

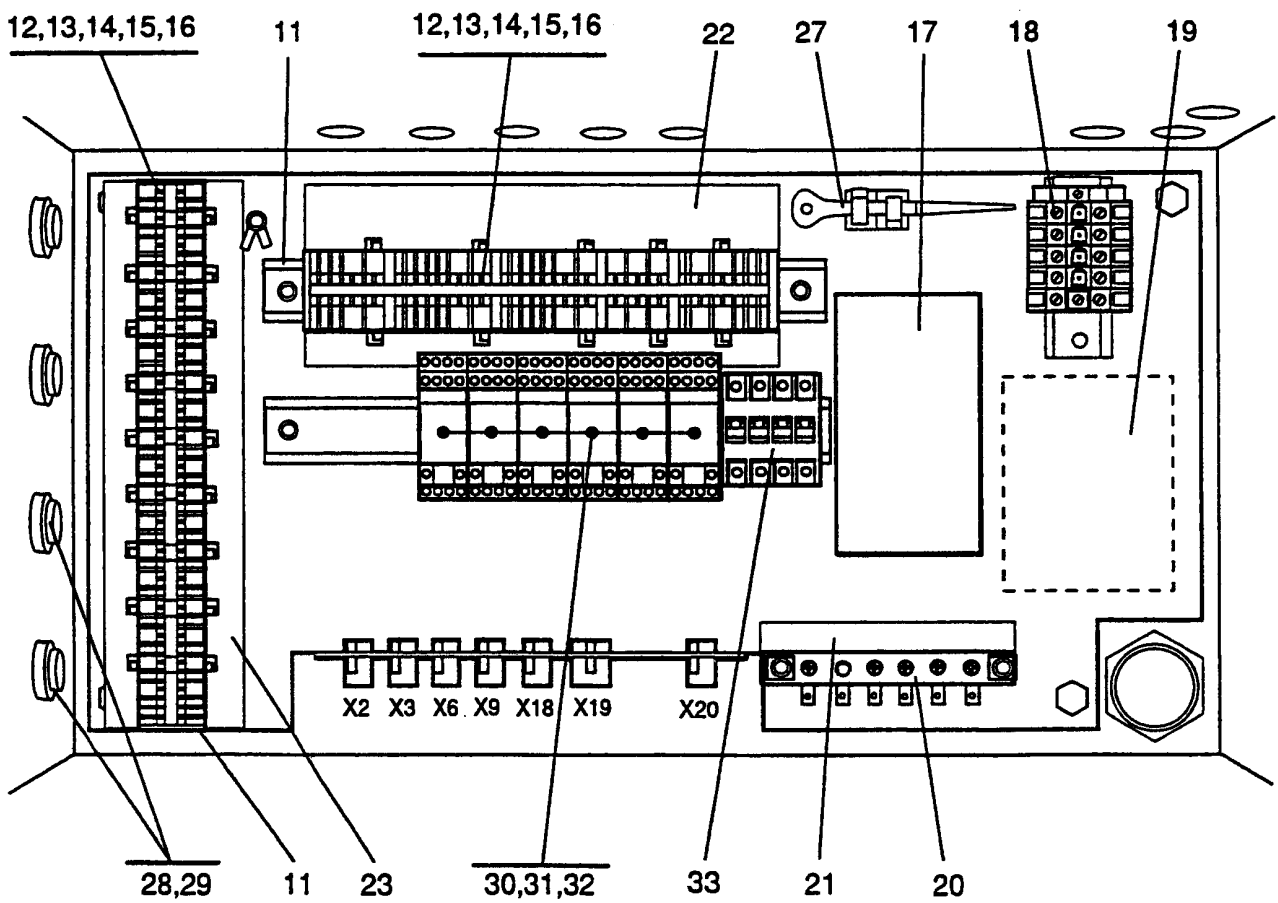
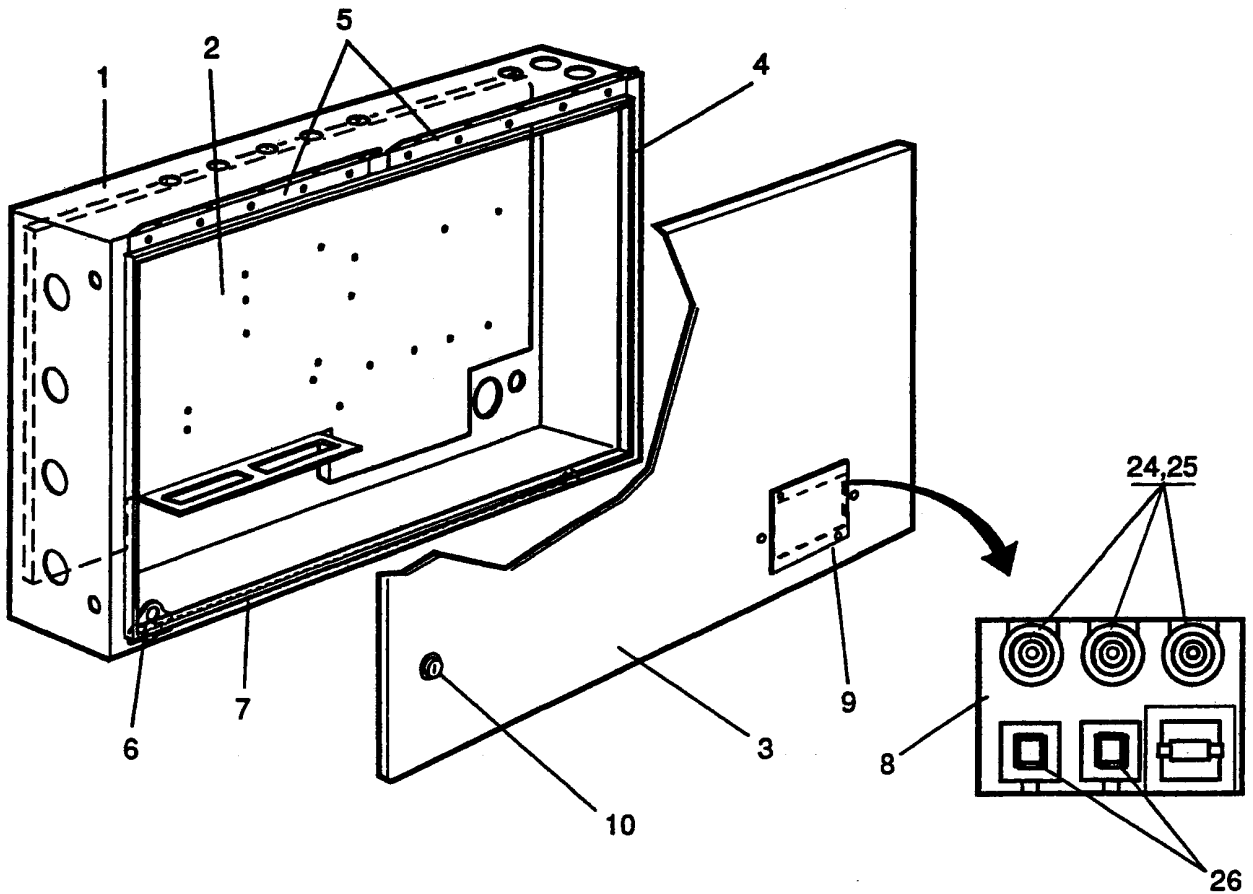
EX-100c -98/999

Electric cabinet, front

Armoire électrique, avant

Illustration Issue Month Year
Schéma Issue Month Year
101435 3 10 2000

| Item Article | Qua. Qua. | Art.No Réf. article | Description | Description | Info Info | Notes Remarques |
|-----------------|--------------|------------------------|-----------------------|----------------------|--------------|--------------------|
| 1 | 1 | 438 4906-01 | Control unit | Unité de contrôle | 3 | |
| 2 | 1 | 438 4947-01 | •Component panel | •Panneau composants | 3 | |
| 3 | 1 | 438 4914-02 | •Cover plate | •Plaque recouvrement | 3 | |
| 4 | RQ | 471 9203-62 | •Gasket | •Bande de garniture | 3 | |
| 5 | 1 | 432 0073-01 | •Hinged joint | •Assemblage articulé | 1 | |
| 6 | 2 | 471 7830-01 | •Lock | •Serrure | 1 | |
| 7 | 1 | 471 8859-07 | Level control | Réglage de niveau | 1,2 | |
| 8 | 1 | 471 9653-03 | Buzzer | Console | 1 | |
| 9 | 1 | 471 9550-15 | Transformer | Transformateur | 1,2 | 208/220/240/480V |
| | 1 | 471 9550-18 | Transformer | Transformateur | 1,2 | 200/380/400/440V |
| 10 | 1 | 471 7473-21 | Printed circuit board | Carte circuit | 1,2 | |
| 11 | 1 | 471 8983-31 | Speed control | Contrôle vitesse | 1,2 | |
| 12 | 1 | 471 7958-01 | Support | Support | 3 | |
| 13 | 1 | 471 9529-10 | Mains filter | Filtre de filet | 1 | 208-240V |
| 14 | 1 | 471 7182-14 | Rail | Support | 3 | |
| 15 | 4 | 471 9649-01 | Relay | Relais | 1,2 | |
| 16 | 4 | 471 9649-02 | Socket | Douille | 1 | |
| 17 | 4 | 471 9649-11 | Clamp | Bride de fixation | 3 | |
| 18 | 1 | 471 8781-03 | Block | Cale | 3 | Yellow/Green |
| 19 | 6 | 471 8781-02 | Block | Cale | 3 | Orange |
| 20 | 1 | 471 8781-11 | Block | Cale | 3 | STOP |



| Issue | Month | Year |
|-------|-------|------|
| 01 | 10 | 96 |

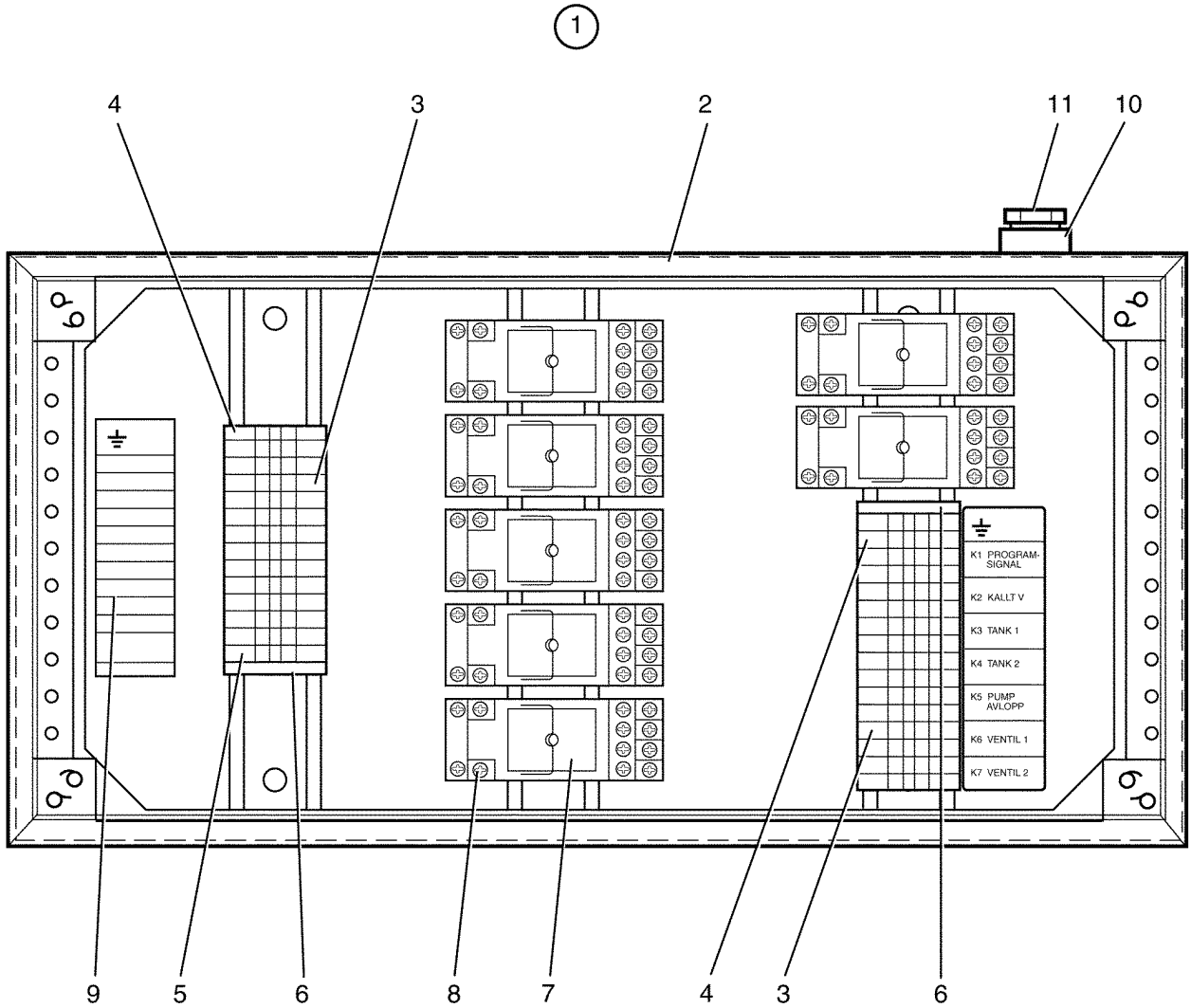
EX-100c -98/999

Electric cabinet, upper rear

Armoire électrique, arrière supérieure

Illustration Issue Month Year
Schéma Issue Month Year
101436 2 10 2000

| Item Article | Qua. Qua. | Art.No Réf. article | Description | Description | Info Info | Notes Remarques |
|-----------------|--------------|------------------------|------------------|----------------------|--------------|--------------------|
| 1 | 1 | 438 4937-01 | Electric cabinet | Passage de câbles | 3 | Complete |
| 2 | 1 | 438 4946-01 | •Component panel | •Panneau composants | 3 | |
| 3 | 1 | 438 4948-01 | •Door | •Porte | 3 | |
| 4 | RQ | 471 9203-62 | Gasket | Bande de garniture | 3 | |
| 5 | 2 | 472 7264-01 | •Hinged joint | •Assemblage articulé | 3 | |
| 6 | 1 | 432 0045-01 | Bracket | Support de montage | 3 | |
| 7 | 1 | 432 0044-01 | •Shaft | •Arbre | 3 | |
| 8 | 1 | 438 4958-01 | •Fuse holder | •Porte-fusible | 1 | |
| 9 | 1 | 438 4959-01 | •Cover | •Couvercle | 3 | |
| 10 | 2 | 471 7830-00 | •Lock | •Serrure | 1 | |
| 11 | 3 | 471 7182-21 | Rail | Support | 3 | |
| 12 | 15 | 471 8781-01 | Block | Cale | 3 | Grey |
| 13 | 36 | 471 8781-02 | Block | Cale | 3 | Orange |
| 14 | 15 | 471 8781-03 | Block | Cale | 3 | Yellow/Green |
| 15 | 1 | 471 8781-04 | Block | Cale | 3 | Orange |
| 16 | 6 | 471 8781-11 | Block | Cale | 3 | STOP |
| 17 | 1 | 471 9529-07 | LC-filter | Filtre LC | 1 | |
| 18 | 1 | 471 8762-01 | Block | Cale | 3 | 3N AC |
| 19 | 1 | 471 9550-14 | Transformer | Transformateur | 1,2 | 200V |
| | 1 | 471 9550-19 | Transformer | Transformateur | 1,2 | 346,380,440,480V |
| 20 | 1 | 471 8759-01 | Block | Cale | 3 | |
| 21 | 1 | 471 7671-01 | Sign | Signe | 3 | |
| 22 | 1 | 471 7579-01 | Sign | Signe | 3 | |
| 23 | 1 | 471 7578-01 | Sign | Signe | 3 | |
| 24 | RQ | 471 8750-11 | Fuse | Porte-fusible | 1,2 | 1,25A |
| 25 | RQ | 471 8756-51 | Insert | Insertion | 1 | 5X20MM |
| 26 | 2 | 471 8778-01 | Circuit breaker | Fusible | 1,2 | 6A |
| 27 | 1 | 471 8781-21 | Tool | Outil | 3 | |
| 28 | 1 | 471 8780-05 | Screw fitting | Vis de raccord | 3 | |
| 29 | 4 | 471 8780-35 | Nut | Écrou | 3 | |
| 30 | RQ | 471 9649-01 | Relay | Relais | 1,2 | |
| 31 | RQ | 471 9649-02 | Socket | Douille | 1 | |
| 32 | RQ | 471 9649-11 | Clamp | Bride de fixation | 3 | |
| 33 | RQ | 438 9636-02 | Contacteur | Relais | 1,2 | 50Hz |
| | RQ | 438 9636-03 | Contacteur | Relais | 1,2 | 60Hz |



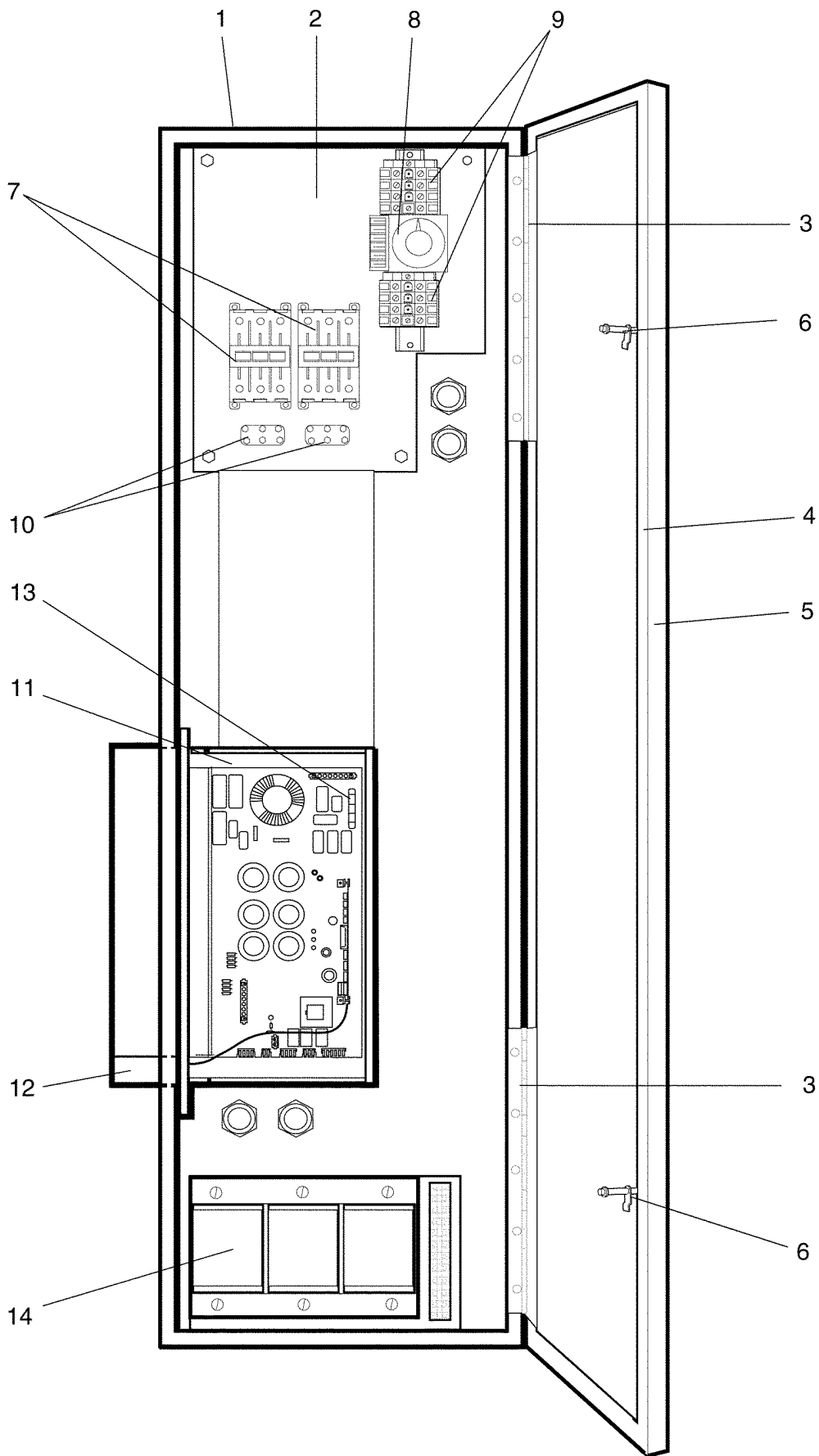
EX-100c

Relay box

Illustration Issue Month Year
Schéma Issue Month Year
101795/1 1 4 2000

Relay box

| Item Article | Qua. Qua. | Art.No Réf. article | Description | Description | Info Info | Notes Remarques |
|-----------------|--------------|------------------------|----------------|-----------------|--------------|--------------------|
| 1 | 1 | 471 7912-01 | Relay box | Relay box | 3 | Complete |
| 2 | 1 | 471 7911-01 | •Box | •Boîtier | 3 | |
| 3 | 24 | 471 8781-02 | •Block | •Cale | 3 | Orange |
| 4 | 2 | 471 8781-03 | •Block | •Cale | 3 | Yellow/Green |
| 5 | 1 | 471 8781-01 | •Block | •Cale | 3 | Grey |
| 6 | 2 | 471 8781-11 | •Block | •Cale | 3 | |
| 7 | 7 | 471 9649-01 | •Relay | •Relais | 1,2 | |
| 8 | 7 | 471 9649-02 | •Socket | •Douille | 1,2 | |
| 9 | 1 | 438 0268-01 | •Sign | •Signe | 3 | |
| 10 | 2 | 471 8780-05 | •Screw fitting | •Vis de raccord | 3 | |
| 11 | 1 | 438 7300-86 | •Cables | •Câble | 3 | |



| Issue | Month | Year |
|-------|-------|------|
| 02 | 01 | 97 |

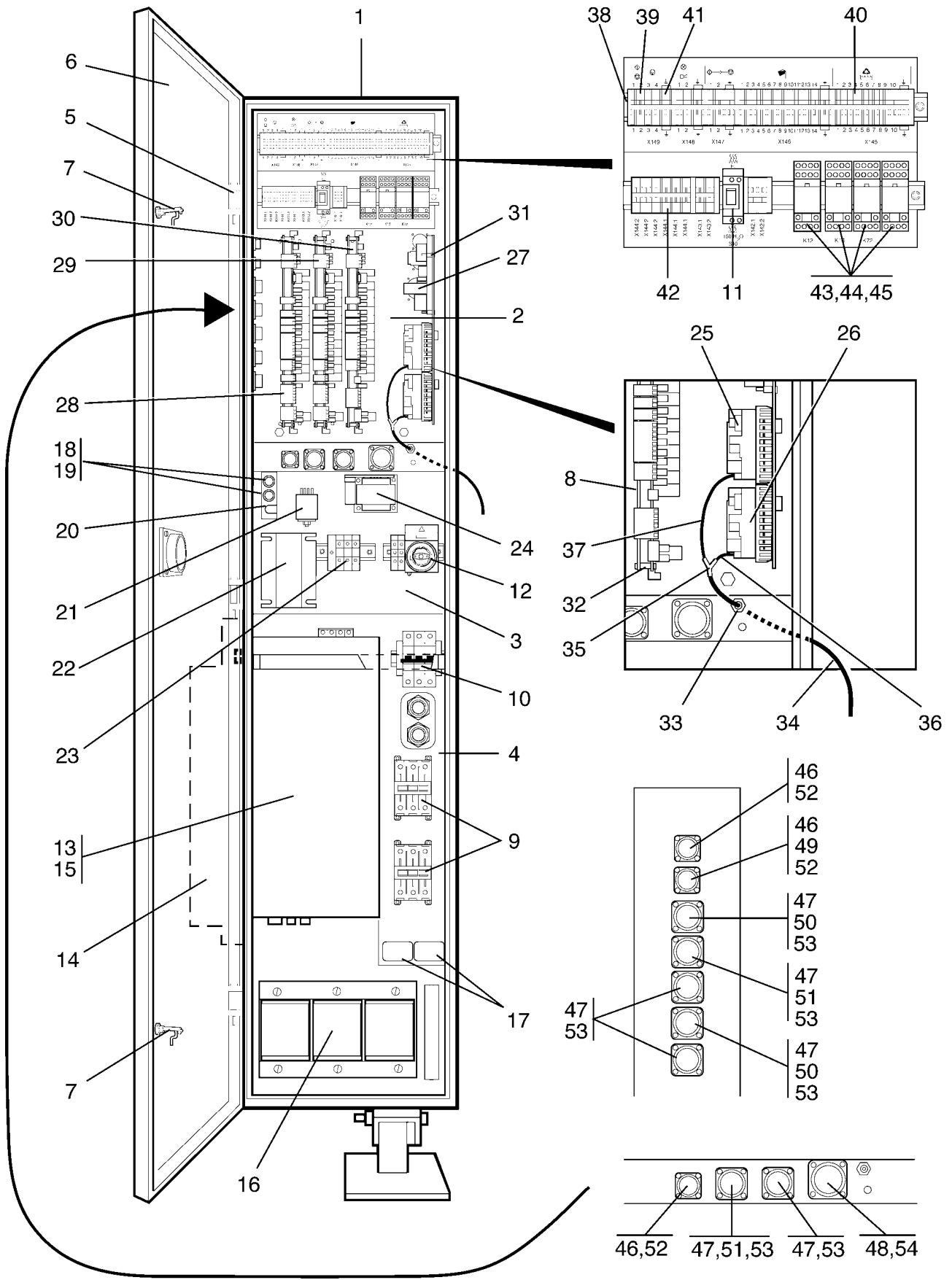
EX-100c -98/999

Electric cabinet, lower rear

Armoire électrique, arrière inférieure

Illustration Issue Month Year
Schéma Issue Month Year
101437 2 10 2000

| Item Article | Qua. Qua. | Art.No Réf. article | Description | Description | Info Info | Notes Remarques |
|-----------------|--------------|------------------------|-----------------------|----------------------|--------------|--------------------|
| 1 | 1 | 432 0036-01 | Electric cabinet | Passage de câbles | 3 | Complete |
| 2 | 1 | 438 4943-01 | •Component panel | •Panneau composants | 3 | |
| 3 | 2 | 472 7264-01 | •Hinged joint | •Assemblage articulé | 3 | |
| 4 | RQ | 471 9203-62 | •Gasket | •Bande de garniture | 3 | |
| 5 | 1 | 438 4949-01 | •Cover | •Couvercle | 3 | |
| 6 | 2 | 471 7830-01 | •Lock | •Serrure | 1 | |
| 7 | 2 | 767 5104-18 | Contactor | Relais | 1,2 | K2-30A, 50Hz |
| | 2 | 767 5103-18 | Contactor | Relais | 1,2 | K2-30A, 60Hz |
| | 2 | 471 9638-14 | Contactor | Relais | 1,2 | 50Hz |
| | 2 | 471 9638-13 | Contactor | Relais | 1,2 | 60Hz |
| 8 | 1 | 471 9226-97 | Time relay | Relais temporisé | 1,2 | 50/60Hz |
| 9 | 2 | 471 8762-02 | Block | Cale | 3 | |
| 10 | 2 | 471 8782-03 | Block | Cale | 3 | |
| 11 | 1 | 471 9768-01 | Printed circuit board | Carte circuit | 1,2 | |
| 12 | 1 | 471 9767-90 | •Fan | •Ventilateur | 1 | |
| 13 | 1 | 471 9767-91 | •Fuse | •Porte-fusible | 1,2 | |
| 14 | 1 | 438 9550-01 | Transformer | Transformateur | 1,2 | 208,230V |
| | 1 | 438 9550-03 | Transformer | Transformateur | 1,2 | 440,480V |



| Issue | Month | Year |
|-------|-------|------|
| 02 | 03 | 04 |

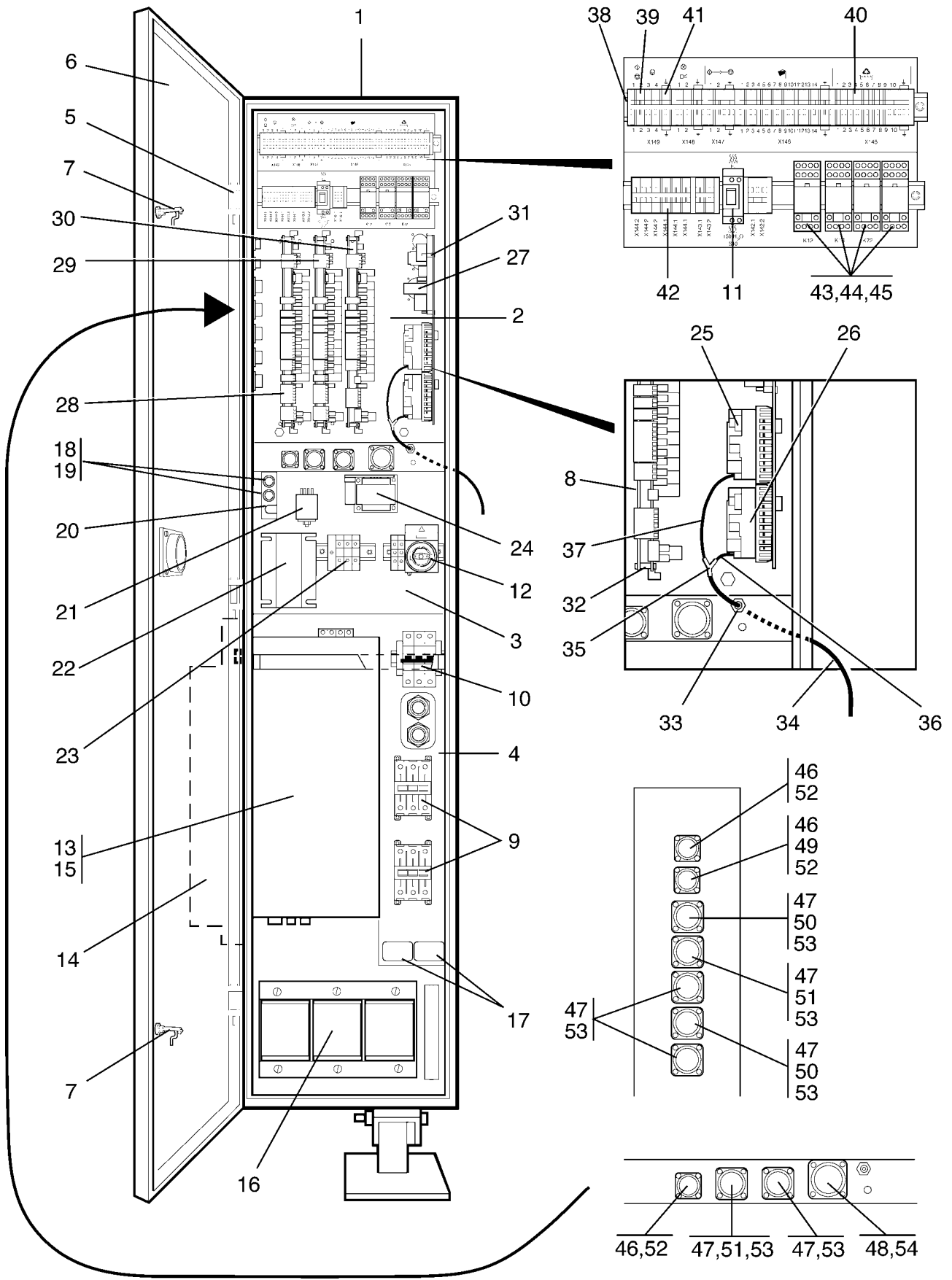
EX-100c 98/1000-

Electric cabinet, rear

Armoire électrique, arrière

Illustration Issue Month Year
Schéma Issue Month Year
101619/2 8 8 2006

| Item Article | Qua. Qua. | Art.No Réf. article | Description | Description | Info Info | Notes Remarques |
|-----------------|--------------|------------------------|-----------------------|---------------------|--------------|-------------------------|
| 1 | 1 | | Electric cabinet | Passage de câbles | 3 | Complete |
| 2 | 1 | 432 0137-01 | Component panel | Panneau composants | 3 | |
| 3 | 1 | 432 0138-01 | Component panel | Panneau composants | 3 | |
| 4 | 1 | 432 0139-01 | Component panel | Panneau composants | 3 | |
| 5 | 2 | 472 7264-01 | Hinged joint | Assemblage articulé | 3 | |
| 6 | 1 | 432 0131-02 | Cover | Couvercle | 3 | |
| | 1 | 432 0131-03 | Cover | Couvercle | 3 | Grey |
| 7 | 2 | 471 7830-01 | Lock | Serrure | 1 | |
| 8 | 4 | 432 0142-01 | Bracket | Support de montage | 3 | |
| 9 | 2 | 767 5104-18 | Contactor | Relais | 1,2 | K2-30A, 50Hz |
| | 2 | 767 5103-18 | Contactor | Relais | 1,2 | K2-30A, 60Hz |
| | 2 | 471 9638-14 | Contactor | Relais | 1,2 | 50Hz |
| | 2 | 471 9638-13 | Contactor | Relais | 1,2 | 60Hz |
| 10 | 1 | 471 8778-13 | Circuit breaker | Fusible | 1,2 | 25A |
| | 1 | 471 8778-11 | Circuit breaker | Fusible | 1,2 | 8A |
| 11 | 1 | 471 8797-01 | Switch | Commutateur | 1 | EL/STEAM |
| 12 | 1 | 471 9678-33 | Main switch | Main switch | 1 | 380-480V |
| | 1 | 471 9678-93 | •Knob | •Bouton de porte | 3 | |
| | 1 | 471 9678-61 | Main switch | Main switch | 1 | 380-480V |
| | 1 | 471 9678-95 | •Knob | •Bouton de porte | 3 | |
| | 1 | 471 9678-62 | Main switch | Main switch | 3 | 200-240V |
| | 1 | 471 9678-95 | •Knob | •Bouton de porte | 3 | |
| 13 | 1 | 471 9768-02 | Printed circuit board | Carte circuit | 1,2 | |
| 14 | 1 | 471 9767-90 | Fan | Ventilateur | 1 | |
| 15 | 1 | 471 9767-91 | Fuse | Porte-fusible | 1,2 | |
| 16 | 1 | 438 9550-01 | Transformer | Transformateur | 1 | 208,230V |
| | 1 | 438 9550-04 | Transformer | Transformateur | 1 | 440,480V |
| 17 | 2 | 471 8782-03 | Block | Cale | 3 | |
| 18 | 2 | 471 8750-11 | Fuse | Porte-fusible | 1,2 | 1,25A |
| 19 | 2 | 471 8756-51 | Insert | Insertion | 1,2 | 5X20MM |
| 20 | 1 | 471 4074-01 | Fuse holder | Porte-fusible | 1,2 | |
| 21 | 1 | 471 9529-10 | Mains filter | Filtre de filet | 1 | 208-240V |
| 22 | 1 | 471 9550-21 | Transformer | Transformateur | 1 | 200-415V, not 346V |
| | 1 | 471 9550-22 | Transformer | Transformateur | 1 | 346,440,480V |
| 23 | 1 | 471 8762-04 | Terminal connection | Bloc de connexion | 3 | |
| 24 | 1 | 471 8792-01 | Transformer | Transformateur | 1 | |
| 25 | 1 | 471 8859-07 | Level control | Réglage de niveau | 1,2 | B1 |
| 26 | 1 | 471 8859-01 | Level control | Réglage de niveau | 1,2 | B2 |
| 27 | 1 | 438 9555-01 | Printed circuit board | Carte circuit | 1,2 | Door lock B31 |
| 28 | 1 | 471 8995-11 | Printed circuit board | Carte circuit | 1,2 | I/O-card A3 |
| 29 | 1 | 471 8995-11 | Printed circuit board | Carte circuit | 1,2 | I/O-card Not configured |
| | 1 | 471 8995-12 | Printed circuit board | Carte circuit | 1,2 | I/O-card A4 |
| 30 | 1 | 471 8995-11 | Printed circuit board | Carte circuit | 1,2 | I/O-card Not configured |
| | 1 | 471 8995-13 | Printed circuit board | Carte circuit | 1,2 | I/O-card A5 |
| 31 | 4 | 471 7958-01 | Support | Support | 3 | |
| 32 | 12 | 438 0299-01 | Spacer | Entretoise | 3 | |
| 33 | 1 | 471 8164-00 | Grommet | Oeillet | 3 | D7 |
| 34 | 1 | 471 2440-40 | Hose | Flexible | 1 | L=1400 |
| 35 | 1 | 471 2265-69 | T-pipe | Tube en T | 3 | |
| 36 | 1 | 471 2449-95 | Hose | Flexible | 1 | L=100 |
| 37 | 1 | 471 2264-03 | Hose | Flexible | 1 | L=150 |
| 38 | 10 | 471 8781-11 | Block | Cale | 3 | |
| 39 | 10 | 471 8781-01 | Block | Cale | 3 | Grey |
| 40 | 28 | 471 8781-02 | Block | Cale | 3 | Orange |
| 41 | 5 | 471 8781-03 | Block | Cale | 3 | Yellow/Green |
| 42 | 5 | 471 8781-04 | Block | Cale | 3 | Orange |
| 43 | 3 | 471 9649-01 | Relay | Relais | 1,2 | |
| 44 | 3 | 471 9649-02 | Socket | Douille | 1 | |
| 45 | 3 | 471 9649-11 | Clamp | Bride de fixation | 3 | |



| Issue | Month | Year |
|-------|-------|------|
| 02 | 03 | 04 |

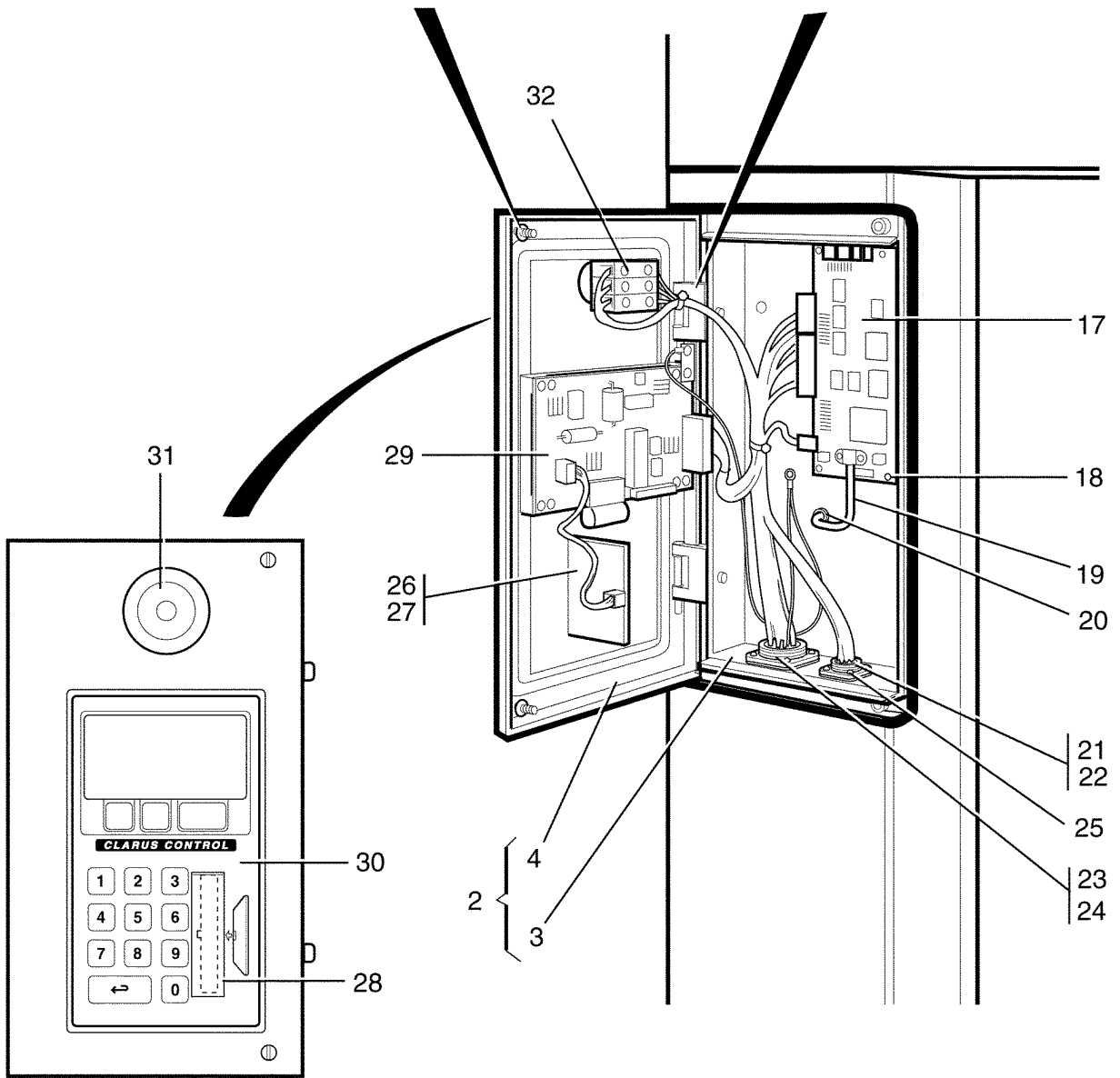
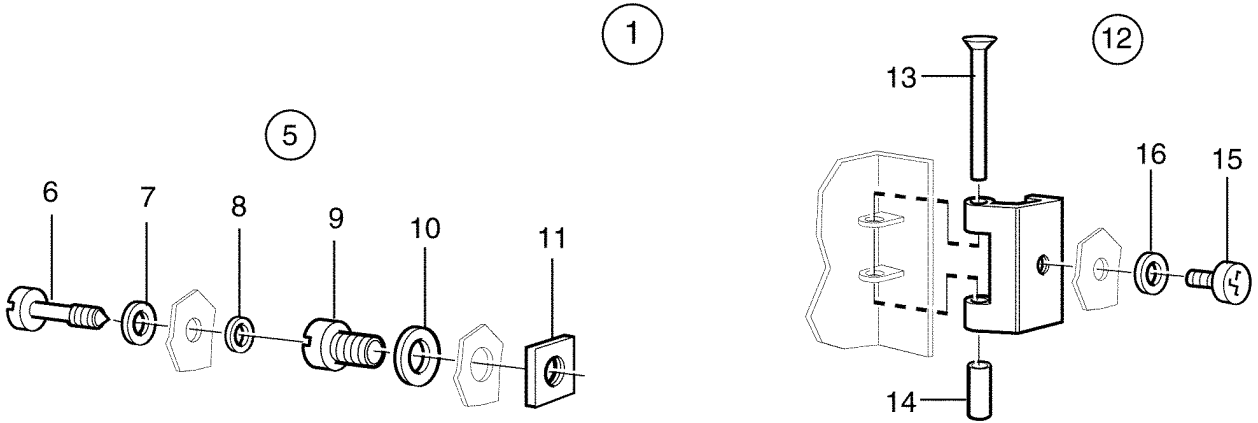
EX-100c 98/1000-

Electric cabinet, rear

Armoire électrique, arrière

| | | | |
|-----------------|----------|----------|-------------|
| Illustration | Issue | Month | Year |
| Schéma | Issue | Month | Year |
| 101619/2 | 8 | 8 | 2006 |

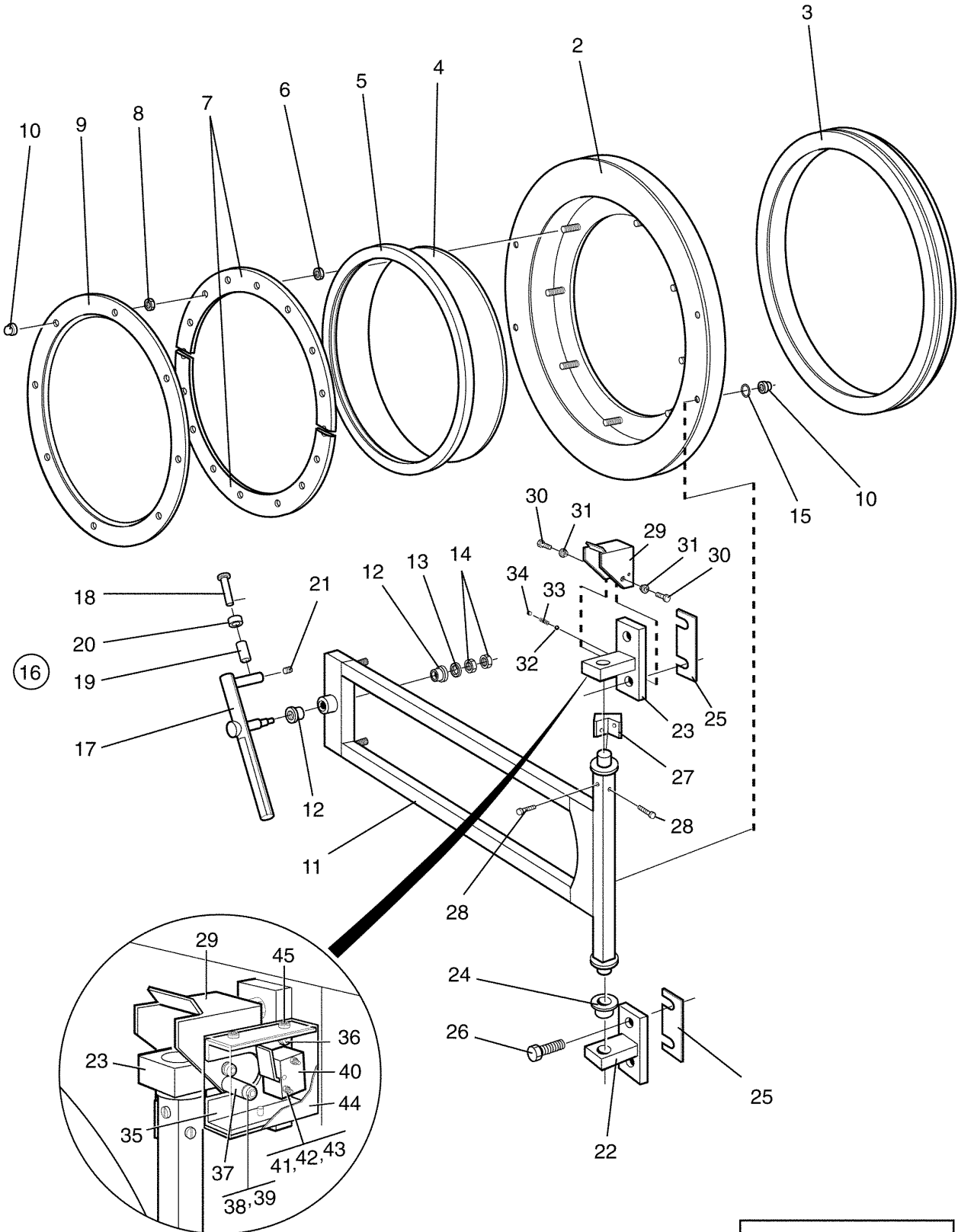
| Item Article | Qua. Qua. | Art.No Réf. article | Description | Description | Info Info | Notes Remarques |
|-----------------|--------------|------------------------|--------------|---------------------|--------------|--------------------|
| 46 | 3 | 438 8152-03 | Gasket | Joint | 3 | 4-pole AMP |
| 47 | 7 | 438 8152-02 | Gasket | Joint | 3 | 14-pole AMP |
| 48 | 1 | 438 8152-01 | Gasket | Joint | 3 | 37-pole AMP |
| 49 | 1 | 438 7950-01 | Cover washer | Rondelle protection | 3 | 4-pole |
| 50 | 2 | 438 7950-02 | Cover washer | Rondelle protection | 3 | 14-pole |
| 51 | 2 | 432 0175-01 | Cover washer | Rondelle protection | 3 | 14-pole |
| 52 | | | | | | |
| 53 | | | | | | |
| 54 | | | | | | |



| Issue | Month | Year |
|-------|-------|------|
| 02 | 10 | 98 |

| EX-100c 98/1000- | | | | Illustration | Issue | Month | Year |
|----------------------------------|------|--------------|-----------------------|-----------------------|----------|-----------------------------------|-------------|
| Electric cabinet, front | | | | Schéma | Issue | Month | Year |
| Armoire électrique, avant | | | | 101618/1 | 5 | 5 | 2004 |
| Item | Qua. | Art.No | Description | Description | Info | Notes | |
| Article | Qua. | Réf. article | | | Info | Remarques | |
| 1 | 1 | | Plate | Plaque | 3 | | |
| 2 | 1 | 432 0173-01 | Box | Boîtier | 3 | | |
| 3 | 1 | 432 0146-01 | Box | Boîtier | 3 | | |
| 4 | 1 | 432 0143-01 | Door | Porte | 3 | | |
| 5 | 2 | 471 8362-01 | Bracket | Support de montage | 3 | | |
| 6 | 2 | 471 8362-10 | Screw | Vis | 3 | | |
| 7 | 2 | 471 8362-20 | Washer | Rondelle | 3 | | |
| 8 | 2 | 471 8362-30 | Washer | Rondelle | 3 | | |
| 9 | 2 | 471 8362-40 | Nut | Écrou | 3 | | |
| 10 | 2 | 471 8362-50 | Washer | Rondelle | 3 | | |
| 11 | 2 | 471 8362-60 | Nut | Écrou | 3 | | |
| 12 | 2 | 471 7837-01 | Hinge | Charnière | 3 | | |
| 13 | 2 | 471 7837-30 | Pin | Goupille/broche | 3 | | |
| 14 | 2 | 471 7837-40 | Safety cover | Revêtement protection | 3 | | |
| 15 | 2 | 471 7837-50 | Screw | Vis | 3 | | |
| 16 | 2 | 471 7837-60 | Washer | Rondelle | 3 | | |
| 17 | 1 | 471 8993-01 | Printed circuit board | Carte circuit | 1,2 | Not configured El. heated | |
| | 1 | 432 0800-07 | Printed circuit board | Carte circuit | 1,2 | El heated, English | |
| | 1 | 432 0800-13 | Printed circuit board | Carte circuit | 1,2 | Steam heated, English | |
| | 1 | 432 0800-08 | Printed circuit board | Carte circuit | 1,2 | Steam heated, French | |
| | 1 | 432 0800-16 | Printed circuit board | Carte circuit | 1,2 | Steam heated, Spanish | |
| | 1 | 432 0800-09 | Printed circuit board | Carte circuit | 1,2 | El heated, Spanish | |
| | 1 | 432 0800-17 | Printed circuit board | Carte circuit | 1,2 | Steam heated, Swedish | |
| | 1 | 432 0800-10 | Printed circuit board | Carte circuit | 1,2 | Steam heated, Polish | |
| | 1 | 432 0800-11 | Printed circuit board | Carte circuit | 1,2 | El heated, Czech | |
| | 1 | 432 0800-01 | Printed circuit board | Carte circuit | 1,2 | El heating ,Finnish | |
| | 1 | 432 0800-02 | Printed circuit board | Carte circuit | 1,2 | Steam heated, Finnish | |
| | 1 | 432 0800-03 | Printed circuit board | Carte circuit | 1,2 | Steam heated, Danish | |
| | 1 | 432 0800-15 | Printed circuit board | Carte circuit | 1,2 | El heated, Danish | |
| | 1 | 432 0800-04 | Printed circuit board | Carte circuit | 1,2 | El heated, Swedish | |
| | 1 | 432 0800-12 | Printed circuit board | Carte circuit | 1,2 | Steam heated, Italian | |
| | 1 | 432 0800-05 | Printed circuit board | Carte circuit | 1,2 | Steam heated, German | |
| | 1 | 432 0800-14 | Printed circuit board | Carte circuit | 1,2 | Steam heated, Norwegian | |
| | 1 | 432 0800-06 | Printed circuit board | Carte circuit | 1,2 | El. heated, Great Britain and USA | |
| 18 | 4 | 471 8341-13 | Screw | Vis | 3 | MRT 4X10 | |
| 19 | 1 | 471 8118-01 | Hose | Flexible | 1 | L=1600 | |
| 20 | 1 | 471 8164-00 | Grommet | Oeillet | 3 | D7 | |
| 21 | 1 | 438 7300-40 | Cable set | Jeu de câbles | 3 | | |
| 22 | 1 | 438 8152-03 | Gasket | Joint | 3 | 4-pole AMP | |
| 23 | 1 | 438 8152-01 | Gasket | Joint | 3 | 37-pole AMP | |
| 24 | 1 | 438 8152-01 | Gasket | Joint | 3 | 37-pole AMP | |
| 25 | 8 | 471 8454-01 | Rivet | Rivet | 3 | | |
| 26 | 1 | 471 8793-01 | Card reader | Lecteur de carte | 1 | | |
| 27 | 1 | 432 0150-01 | Bracket | Pièce de retenue | 3 | | |
| 28 | 1 | 432 0149-01 | Rubber cap | Capuchon caoutchouc | 3 | | |
| 29 | 1 | 471 8997-03 | Display | Affichage | 1,2 | | |
| 30 | 1 | 472 5771-01 | Control panel | Pupitre de commande | 1,2 | EX-100c | |
| 31 | 1 | 471 9628-22 | Emergency stop | Arrêt d'urgence | 1 | -99/1212 | |
| | 1 | 471 9628-32 | Emergency stop | Arrêt d'urgence | 1 | 99/1213- | |
| 32 | 1 | 471 9628-90 | Socket | Bloc de connexion | 1 | -99/1212 | |
| | 1 | 471 9628-33 | Contact block | Bloc de connexion | 1 | 99/1213- | |

1



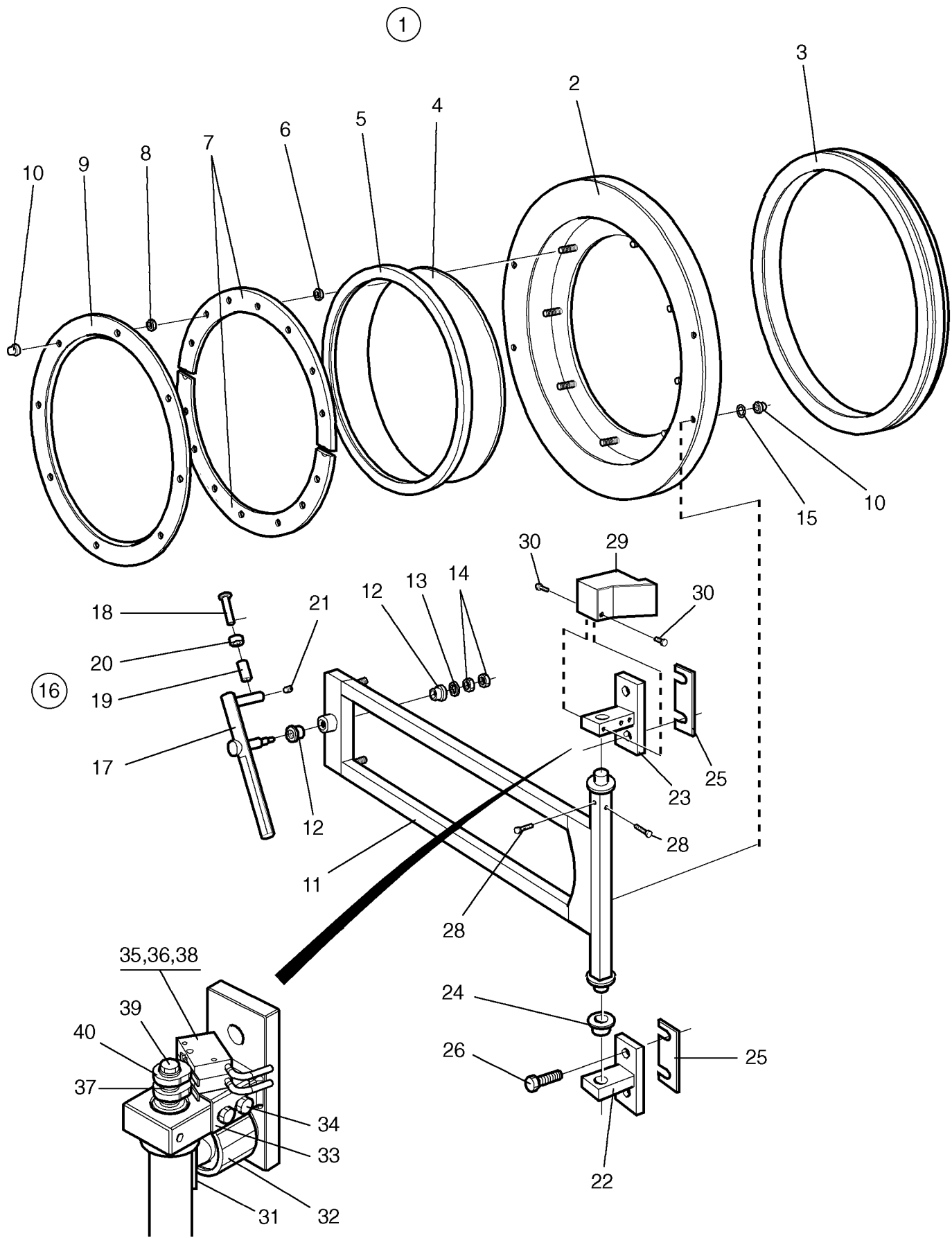
EX-100c -400/1648

Door

Plaque

Illustration Schéma Issue Issue Month Month Year Year
101426/1 4 9 2002

| Item Article | Qua. Qua. | Art.No Réf. article | Description | Description | Info Info | Notes Remarques |
|-----------------|--------------|------------------------|----------------|----------------------|--------------|---------------------|
| 1 | 1 | 432 0034-01 | Door | Plaque | 3 | Complete |
| | 1 | 432 0034-02 | •Door | •Plaque | 3 | Complete |
| 2 | 1 | 471 5516-03 | •Door ring | •Anneau de la porte | 3 | |
| 3 | 1 | 471 5631-00 | •Door gasket | •Joint de porte | 1,2 | |
| 4 | 1 | 432 0113-01 | •Door glass | •Vitre de la porte | 1,2 | |
| | 1 | 432 0113-02 | •Door glass | •Vitre de la porte | 1,2 | Aqua clean |
| 5 | 1 | 471 5511-01 | •Seal | •Joint | 1 | |
| 6 | 16 | 471 5523-00 | •Spacer | •Entretoise | 3 | |
| 7 | 1 | 438 4832-01 | •Washer | •Rondelle | 3 | |
| 8 | 16 | 731 2316-01 | •Nut | •Écrou | 3 | M6 |
| 9 | 1 | 471 5525-01 | •Ring | •Anneau | 3 | |
| 10 | 16 | 732 3116-14 | •Nut | •Écrou | 3 | M6 |
| 11 | 1 | 472 6208-00 | •Frame | •Châssis | 3 | |
| 12 | 2 | 471 9228-98 | •Bearing | •Coussinet | 1 | |
| 13 | 1 | 471 2461-40 | •Washer | •Rondelle | 3 | |
| 14 | 1 | 732 2120-01 | •Locking nut | •Contre-écrou | 3 | M10 |
| 15 | 4 | 734 1153-09 | •Washer | •Rondelle | 3 | BRB 6,4X12 |
| 16 | 1 | 432 0029-01 | ••Handle | ••Poignée | 3 | Complete FLE-MP |
| | 1 | 432 0171-01 | ••Handle | ••Poignée | 3 | Complete FLE Clarus |
| 17 | 1 | 432 0028-01 | ••Handle | ••Poignée | 3 | FLE-MP |
| | 1 | 432 0172-01 | ••Handle | ••Poignée | 3 | FLE Clarus |
| 18 | 1 | 471 2461-25 | ••Pin | ••Goupille | 1 | FLE-MP |
| | 1 | 432 0168-01 | ••Pin | ••Goupille | 1 | FLE Clarus |
| 19 | 1 | 471 2461-27 | ••Pipe | ••Tube | 3 | FLE-MP |
| | 1 | 432 0169-02 | ••Sleeve | ••Manchon | 3 | FLE Clarus |
| 20 | 1 | 471 9228-97 | ••Bearing | ••Coussinet | 3 | |
| 21 | 1 | 728 8445-01 | ••Screw | ••Vis | 3 | SK6SS 8X10 |
| 22 | 1 | 472 6211-00 | Bracket | Support de montage | 3 | |
| 23 | 1 | 472 9375-01 | Hinge mounting | Montage de charnière | 3 | |
| 24 | 2 | 471 9209-24 | Bearing | Coussinet | 1 | |
| 25 | 2 | 471 2418-14 | Plate | Plaque | 3 | |
| 26 | 4 | 725 2536-42 | Screw | Vis | 3 | M12X30 SS |
| 27 | 1 | 472 9373-01 | Door stop | Butée | 3 | |
| 28 | 2 | 471 8344-28 | Screw | Vis | 3 | M5X30 |
| 29 | 1 | 472 9361-01 | Cover | Couvercle | 3 | |
| 30 | 2 | 725 2327-51 | Screw | Vis | 3 | M5X12 |
| 31 | 2 | 471 8577-02 | Bushing | Douille | 3 | |
| 32 | 1 | 738 6117-13 | Ball | Bille | 3 | |
| 33 | 1 | 471 7803-19 | Spring | Ressort | 3 | |
| 34 | 1 | 728 8362-11 | Screw | Vis | 3 | |
| 35 | 1 | 432 0151-01 | Bracket | Support de montage | 3 | |
| 36 | 2 | 471 8341-22 | Screw | Vis | 3 | MRT 5X8 |
| 37 | 1 | 432 0153-01 | Pin | Goupille/broche | 3 | |
| 38 | 1 | 471 8341-17 | Screw | Vis | 3 | M4X25 |
| 39 | 1 | 734 1136-01 | Washer | Rondelle | 3 | BRB 4,3X9 |
| 40 | 1 | 471 9625-02 | Microswitch | Microrupteur | 1,2 | |
| 41 | 2 | 471 8341-07 | Screw | Vis | 3 | MRT 3X25 |
| 42 | 2 | 734 1124-01 | Washer | Rondelle | 3 | BRB 3X7 |
| 43 | 2 | 732 2110-01 | Locking nut | Contre-écrou | 3 | M3 |
| 44 | 1 | 432 0152-01 | Cover | Couvercle | 3 | |
| 45 | 3 | 471 8341-13 | Screw | Vis | 3 | MRT 4X10 |



| Issue | Month | Year |
|-------|-------|------|
| 01 | 09 | 02 |

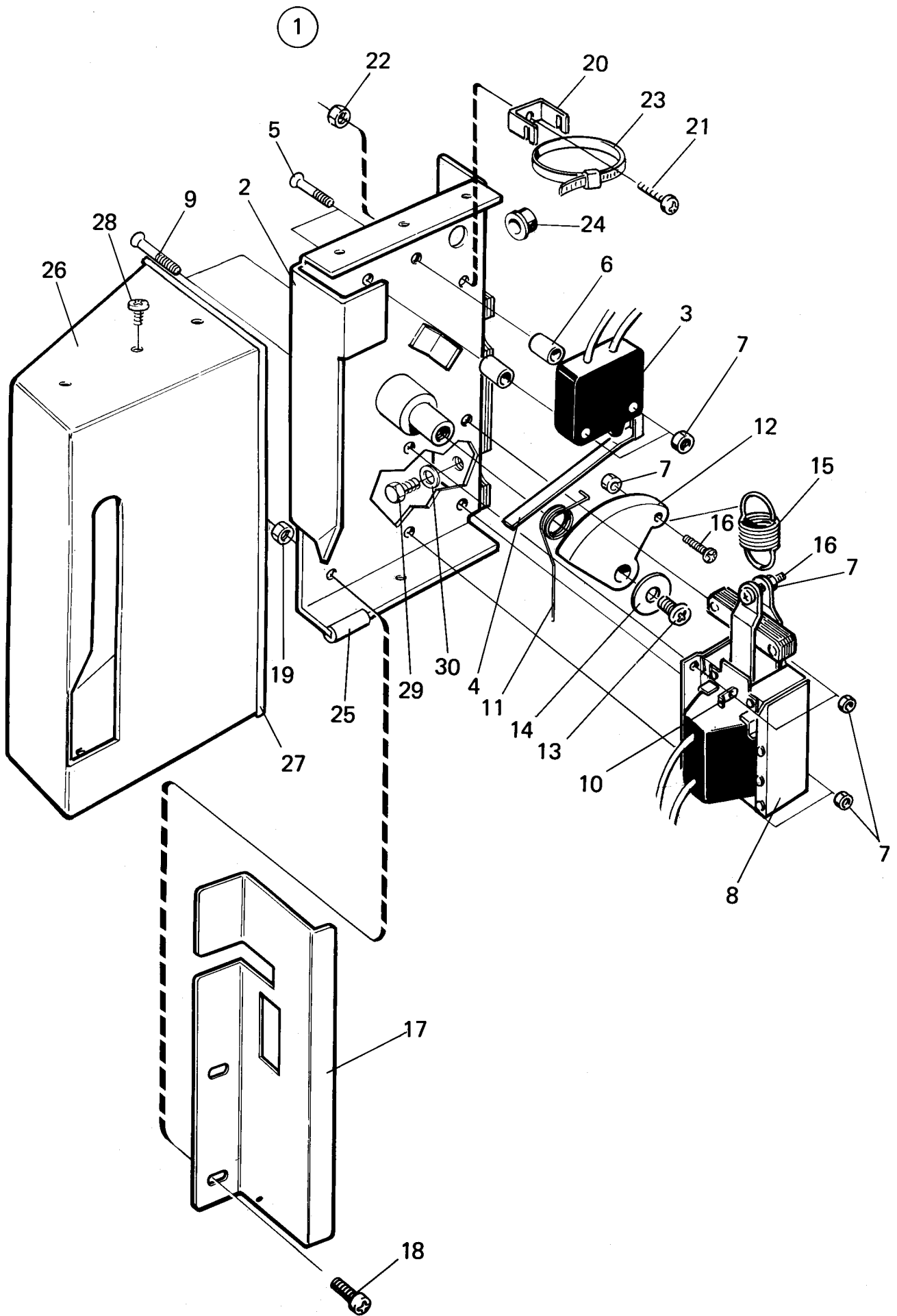
EX-100c 400/1649-

Door

Plaque

Illustration Issue Month Year
Schéma Issue Month Year
102192/1 3 3 2006

| Item Article | Qua. Qua. | Art.No Réf. article | Description | Description | Info Info | Notes Remarques |
|-----------------|--------------|------------------------|----------------|----------------------|--------------|---------------------------------------|
| 1 | 1 | 432 0034-01 | Door | Plaque | 3 | Complete |
| | 1 | 432 0034-02 | Door | Plaque | 3 | Complete |
| 2 | 1 | 471 5516-03 | •Door ring | •Anneau de la porte | 3 | |
| 3 | 1 | 471 5631-00 | •Door gasket | •Joint de porte | 1,2 | |
| 4 | 1 | 432 0113-01 | •Door glass | •Vitre de la porte | 1,2 | |
| | 1 | 432 0113-02 | •Door glass | •Vitre de la porte | 1,2 | Aqua clean Aqua clean |
| 5 | 1 | 471 5511-01 | •Seal | •Joint | 1 | |
| 6 | 16 | 471 5523-00 | •Spacer | •Entretoise | 3 | |
| 7 | 1 | 438 4832-01 | •Washer | •Rondelle | 3 | |
| 8 | 16 | 731 2316-01 | •Nut | •Écrou | 3 | M6 |
| 9 | 1 | 471 5525-01 | •Ring | •Anneau | 3 | |
| 10 | 16 | 732 3116-14 | •Nut | •Écrou | 3 | M6 |
| 11 | 1 | 472 6208-00 | •Frame | •Châssis | 3 | |
| 12 | 2 | 471 9228-98 | •Bearing | •Coussinet | 1 | |
| 13 | 1 | 471 2461-40 | •Washer | •Rondelle | 3 | |
| 14 | 1 | 732 2120-01 | •Locking nut | •Contre-écrou | 3 | M10 |
| 15 | 4 | 734 1153-09 | •Washer | •Rondelle | 3 | BRB 6,4X12 |
| 16 | 1 | 432 0029-01 | •Handle | •Poignée | 3 | Complete FLE-MP |
| | 1 | 432 0171-01 | •Handle | •Poignée | 3 | Complete FLE Clarus |
| 17 | 1 | 432 0028-01 | ••Handle | ••Poignée | 3 | FLE-MP |
| | 1 | 432 0172-01 | ••Handle | ••Poignée | 3 | FLE Clarus |
| 18 | 1 | 471 2461-25 | ••Pin | ••Goupille | 1 | FLE-MP |
| | 1 | 432 0168-01 | ••Pin | ••Goupille | 1 | FLE Clarus |
| 19 | 1 | 471 2461-27 | ••Pipe | ••Tube | 3 | FLE-MP |
| | 1 | 432 0169-01 | ••Sleeve | ••Manchon | 3 | FLE Clarus |
| 20 | 1 | 471 9228-97 | ••Bearing | ••Coussinet | 3 | |
| 21 | 1 | 728 8445-01 | ••Screw | ••Vis | 3 | SK6SS 8X10 |
| 22 | 1 | 472 9375-06 | Bracket | Support de montage | 3 | |
| 23 | 1 | 472 9375-05 | Hinge mounting | Montage de charnière | 3 | |
| 24 | 2 | 471 9209-24 | Bearing | Coussinet | 1 | |
| 25 | 2 | 471 2418-14 | Plate | Plaque | 3 | |
| 26 | 4 | 725 2536-42 | Screw | Vis | 3 | M12X30 SS |
| 27 | | | | | | Not used |
| 28 | 2 | 725 6328-42 | Screw | Vis | 3 | M5X16 |
| 29 | 1 | 432 0336-01 | Cover | Couvercle | 3 | |
| 30 | 2 | 725 2364-42 | Screw | Vis | 3 | M6X10 |
| 31 | 2 | 432 0343-01 | Catch | Dispositif blocage | 3 | |
| 32 | 1 | 432 0355-01 | Sleeve | Manchon | 3 | |
| 33 | 1 | 432 0340-01 | Mounting plate | Plaque de montage | 3 | |
| 34 | 1 | 725 2364-42 | Screw | Vis | 3 | M6X10 |
| 35 | 1 | 438 7300-48 | Cable set | Jeu de câbles | 3 | Sensor, dor lock incl. microswitch |
| 36 | 2 | 471 8341-07 | Screw | Vis | 3 | MRT 3X25 |
| 37 | 2 | 734 1153-09 | Washer | Rondelle | 3 | BRB 6,4X12 |
| 38 | 1 | 732 2110-01 | Locking nut | Contre-écrou | 3 | M3 |
| 39 | 1 | 725 2378-51 | Screw | Vis | 3 | M6X40 |
| 40 | 1 | 432 0339-01 | Heel | Tête | 3 | |



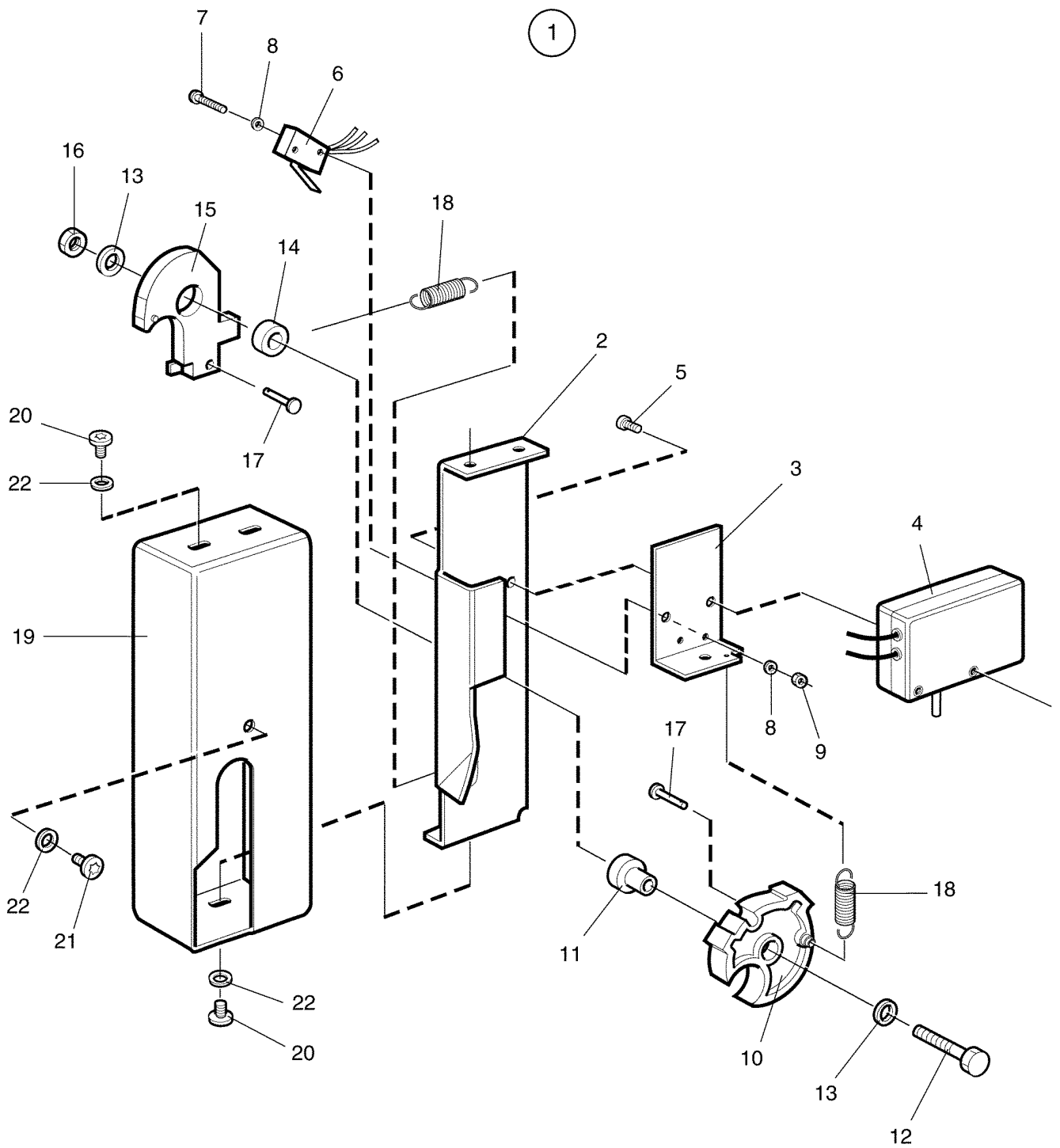
EX-100c -98/999

Door lock

Serrure de porte

Illustration Issue Month Year
Schéma Issue Month Year
101468 3 10 2000

| Item Article | Qua. Qua. | Art.No Réf. article | Description | Description | Info Info | Notes Remarques |
|-----------------|--------------|------------------------|----------------------|----------------------|--------------|--------------------|
| 1 | 1 | 472 6328-04 | Door locking device | Serrure de porte | 3 | 50/60Hz Complete |
| 2 | 1 | 472 6332-01 | •Mounting plate | •Plaque de montage | 3 | |
| 3 | 1 | 471 9625-02 | •Microswitch | •Microrupteur | 1,2 | |
| 4 | 1 | 471 9625-50 | •Control Arm | •Bras | 1 | |
| 5 | 2 | 724 1236-42 | •Screw | •Vis | 3 | M6X16 |
| 6 | 2 | 472 6325-00 | •Spacer | •Entretoise | 3 | |
| 7 | 9 | 732 2110-01 | •Locking nut | •Contre-écrou | 3 | M3 |
| 8 | 1 | 471 9221-11 | •Coil | •Bobine | 1,2 | 50/60Hz |
| 9 | 4 | 471 8341-03 | •Screw | •Vis | 3 | M3X10 |
| 10 | 1 | 471 8703-00 | •Spade connector | •Cosse | 3 | |
| 11 | 1 | 471 2461-57 | •Torsion spring | •Ressort rotatif | 1 | |
| 12 | 1 | 471 2461-55 | •Catch | •Dispositif blocage | 1 | |
| 13 | 1 | 471 8341-24 | •Screw | •Vis | 3 | M5X12 |
| 14 | 1 | 734 1808-51 | •Washer | •Rondelle | 3 | NB 5X16 |
| 15 | 1 | 471 2461-56 | •Tensioner spring | •Ressort tendeur | 1 | |
| 16 | 2 | 471 8341-05 | •Screw | •Vis | 3 | MRT 3X16 |
| 17 | 1 | 438 4886-02 | •Door lock protector | •Dispositif sécurité | 3 | |
| 18 | 2 | 471 8344-22 | •Screw | •Vis | 3 | MRT 5X8 |
| 19 | 2 | 732 2114-92 | •Locking nut | •Contre-écrou | 3 | M5 |
| 20 | 1 | 471 9004-75 | •Bracket | •Support de montage | 3 | |
| 21 | 1 | 471 8341-13 | •Screw | •Vis | 3 | MRT 4X10 |
| 22 | 1 | 471 2312-01 | •Nut | •Écrou | 3 | M4 |
| 23 | 1 | 762 9105-05 | •Cable strap | •Serre-câble | 3 | |
| 24 | 1 | 762 1191-10 | •Grommet | •Oeillet | 3 | |
| 25 | RQ | 471 2075-80 | •Rubber strip | •Joint caoutchouc | 3 | |
| 26 | 1 | 472 6326-01 | •Cover | •Couvercle | 3 | |
| 27 | RQ | 471 2449-70 | •Rubber strip | •Joint caoutchouc | 3 | |
| 28 | 3 | 724 1285-42 | •Screw | •Vis | 3 | M4X6 |
| 29 | 2 | 725 2451-42 | Screw | Vis | 3 | M8X20 |
| 30 | 2 | 734 1164-09 | Washer | Rondelle | 3 | BRB 8,4X17 |



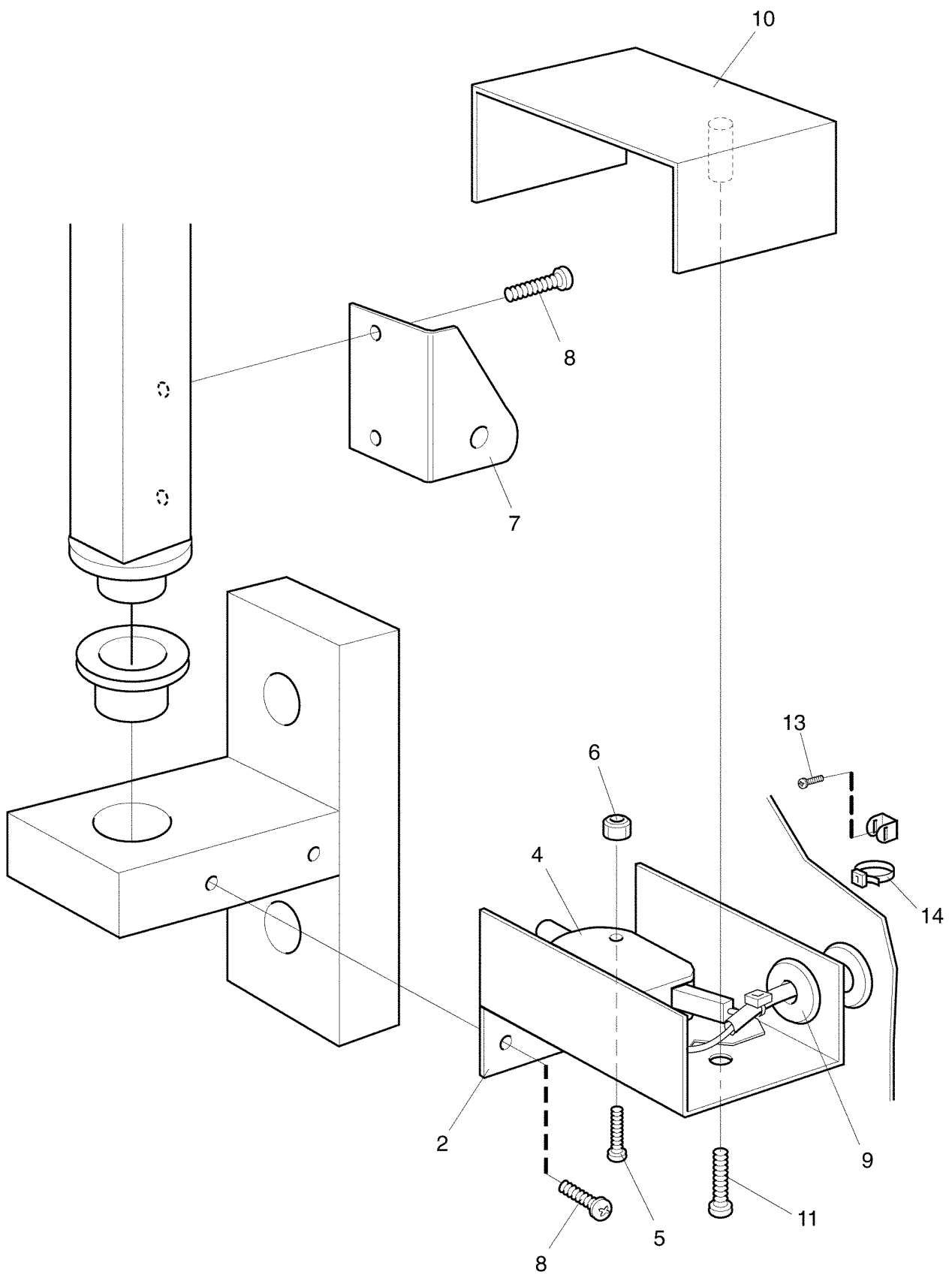
EX-100c 98/1000-

Door lock

Serrure de porte

Illustration Issue Month Year
Schéma Issue Month Year
101487/1 3 10 2000

| Item Article | Qua. Qua. | Art.No Réf. article | Description | Description | Info Info | Notes Remarques |
|-----------------|--------------|------------------------|---------------------|------------------|--------------|--------------------|
| 1 | 1 | 432 0170-01 | Door locking device | Serrure de porte | 1 | Complete |
| 2 | 1 | 432 0158-01 | Bracket | Pupitre | 3 | |
| 3 | 1 | 432 0159-01 | Plate | Plaque | 3 | |
| 4 | 1 | 438 7300-43 | Actuator | Actuator | 1,2 | |
| 5 | 2 | 471 8341-24 | Screw | Vis | 3 | M5X12 |
| 6 | 1 | 471 9625-03 | Microswitch | Microrupteur | 1,2 | |
| 7 | 2 | 471 8341-07 | Screw | Vis | 3 | MRT 3X25 |
| 8 | 2 | 734 1124-01 | Washer | Rondelle | 3 | BRB 3X7 |
| 9 | 2 | 732 2110-01 | Locking nut | Contre-écrou | 3 | M3 |
| 10 | 1 | 432 0161-01 | Wheel | Roue | 1 | |
| 11 | 1 | 471 7477-01 | Shaft | Arbre | 1 | |
| 12 | 1 | 725 2461-51 | Screw | Vis | 3 | M8X50 |
| 13 | 2 | 471 8502-14 | Washer | Rondelle | 3 | BRB 8,4X17 |
| 14 | 1 | 471 7476-01 | Bushing | Douille | 3 | |
| 15 | 1 | 432 0164-01 | Cam | Came | 1 | |
| 16 | 1 | 731 2318-01 | Nut | Écrou | 3 | M8 |
| 17 | 2 | 471 7976-01 | Bolt | Boulon | 3 | |
| 18 | 2 | 471 7876-01 | Spring | Ressort | 1 | |
| 19 | 1 | 432 0167-01 | Cover | Couvercle | 3 | |
| 20 | 3 | 471 8344-24 | Screw | Vis | 3 | M5X12 |
| 21 | 1 | 471 8345-23 | Screw | Vis | 3 | 5X10 |
| 22 | 4 | 734 1146-09 | Washer | Rondelle | 3 | BRB 5,3X10 |



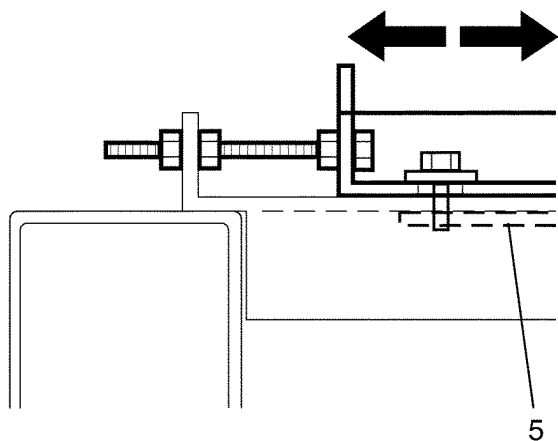
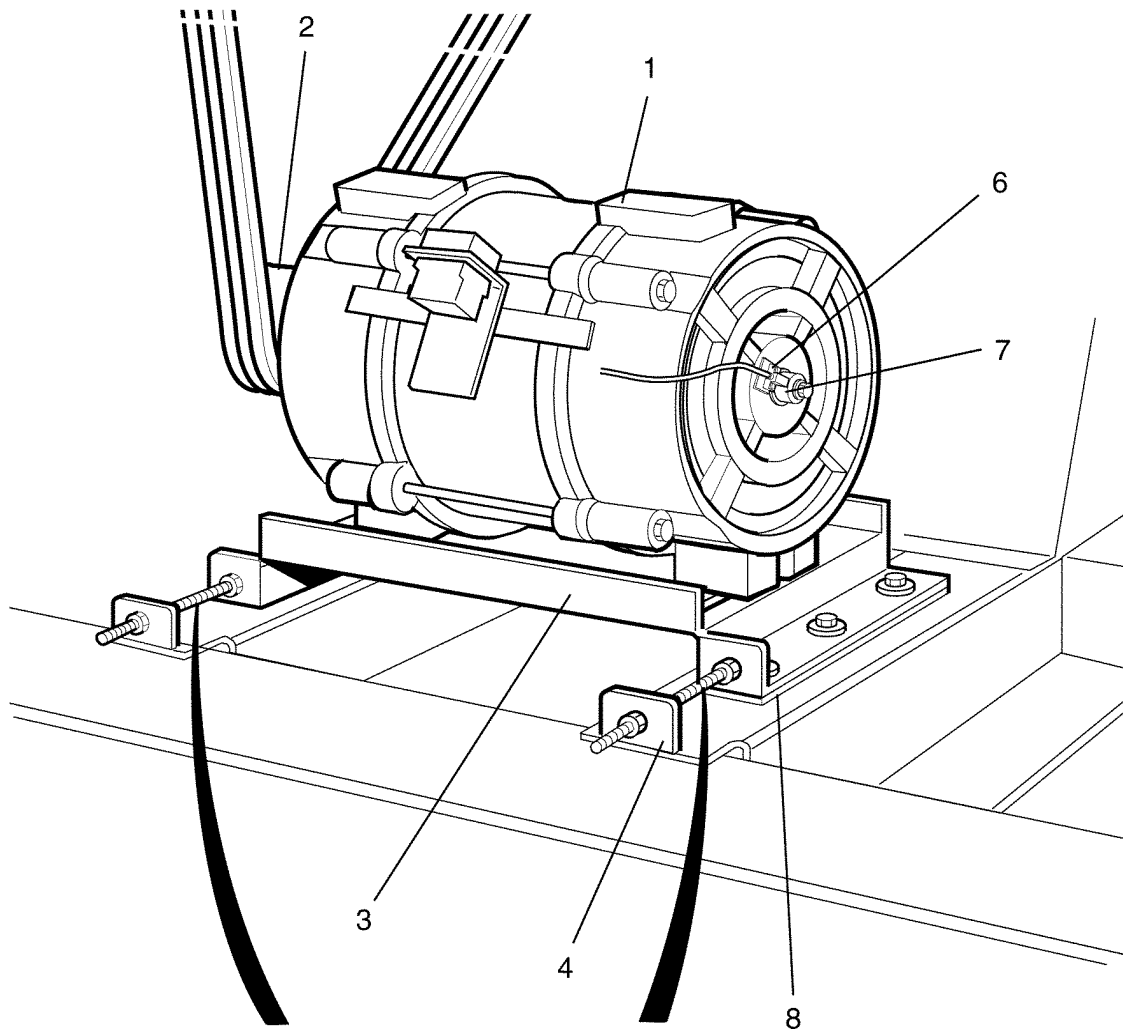
EX-100c -98/999

Microswitch, door

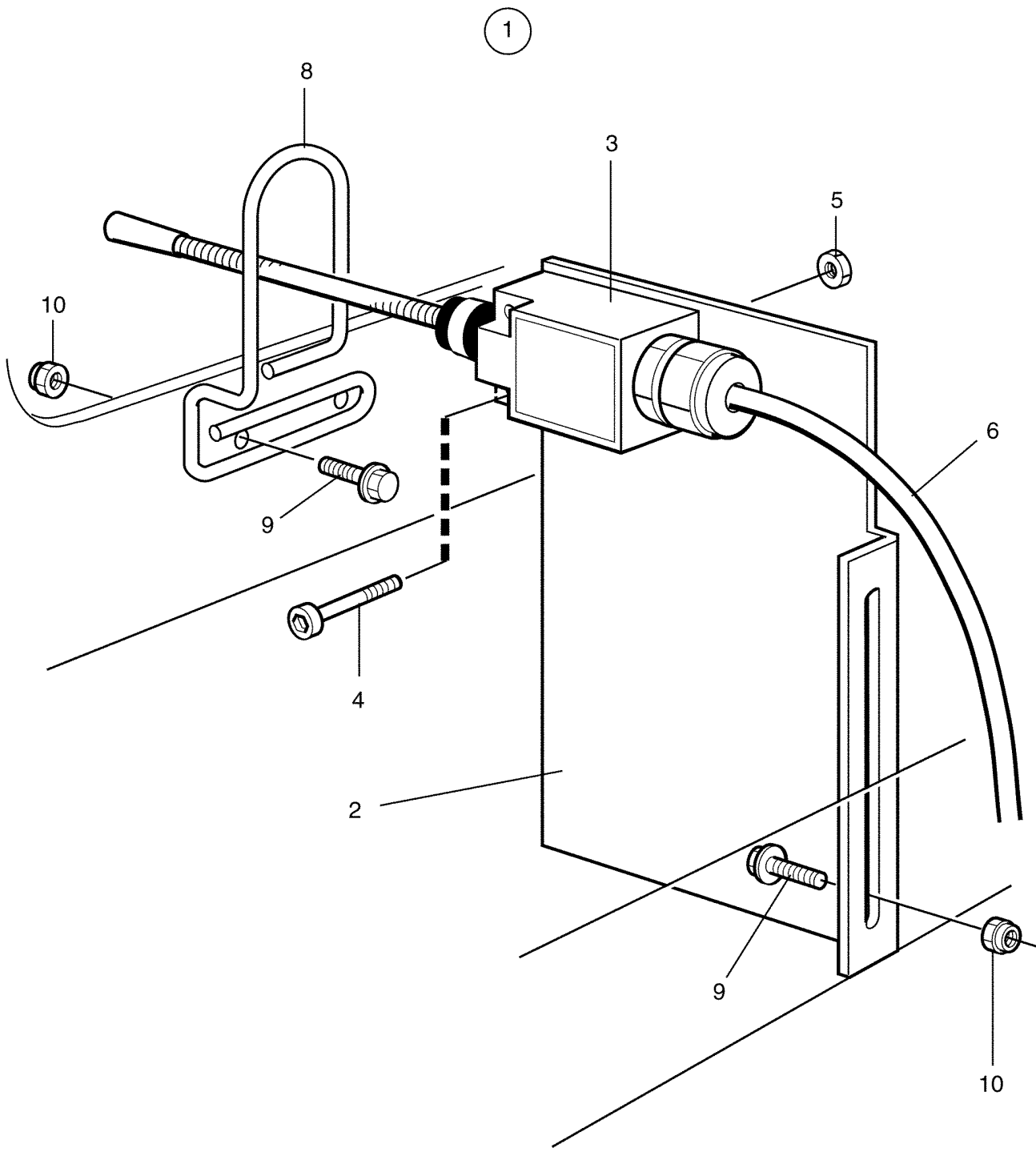
Microrupteur, plaque

Illustration Issue Month Year
Schéma Issue Month Year
101469 2 10 2000

| Item Article | Qua. Qua. | Art.No Réf. article | Description | Description | Info Info | Notes Remarques |
|-----------------|--------------|------------------------|--------------|---------------------|--------------|--------------------|
| 1 | 1 | 438 4896-01 | Microswitch | Microrupteur | 3 | |
| 2 | 1 | 438 4894-01 | •Angle | •Coude | 3 | |
| 3 | 1 | 471 2068-48 | • | • | 3 | |
| 4 | 1 | 471 9654-03 | •Microswitch | •Microrupteur | 1,2 | |
| 5 | 2 | 724 1295-01 | •Screw | •Vis | 3 | M4X20 |
| 6 | 2 | 732 2112-01 | •Locking nut | •Contre-écrou | 3 | M4 |
| 7 | 1 | 438 4895-02 | •Angle | •Coude | 3 | |
| 8 | 4 | 471 8344-22 | •Screw | •Vis | 3 | MRT 5X8 |
| 9 | 2 | 471 8164-00 | •Grommet | •Oeillet | 3 | D7 |
| 10 | 1 | 438 4893-01 | •Cover | •Couvercle | 3 | |
| 11 | 1 | 471 8344-26 | •Screw | •Vis | 3 | M5X20 |
| 12 | 4 | 471 9004-75 | •Bracket | •Support de montage | 3 | |
| 13 | 4 | 471 8340-23 | •Screw | •Vis | 3 | RTS 4,2X13 |
| 14 | 4 | 762 9105-05 | •Cable strap | •Serre-câble | 3 | |



| EX-100c | | | | Illustration | Issue | Month | Year |
|-----------------|--------------|------------------------|----------------------|------------------------|--------------|--------------------|-------------|
| Motor | | | | Schéma | Issue | Month | Year |
| Moteur | | | | 101423/3 | 4 | 12 | 2001 |
| Item Article | Qua. Qua. | Art.No Réf. article | Description | Description | Info Info | Notes Remarques | |
| 1 | 1 | 471 9769-01 | Motor | Moteur | 1,2 | -98/999 | |
| | 1 | 471 9769-02 | Motor | Moteur | 1,2 | 98/1000- | |
| 2 | 1 | 472 6382-01 | Pulley | Poulie | 3 | | |
| 3 | 1 | 432 0015-01 | Motor bracket | Support du moteur | 3 | | |
| 4 | 2 | 432 0016-01 | Motor mounting plate | Châssis montage moteur | 3 | | |
| 5 | 2 | 432 0022-01 | Motor mounting | Montage du moteur | 3 | | |
| 6 | 1 | 471 8984-01 | Sensor | Capteur | 1,2 | | |
| 7 | 1 | 471 9578-50 | Magnet | Aimant | 1,2 | | |
| 8 | 3 | 432 0085-01 | Spacer | Entretoise | 3 | | |



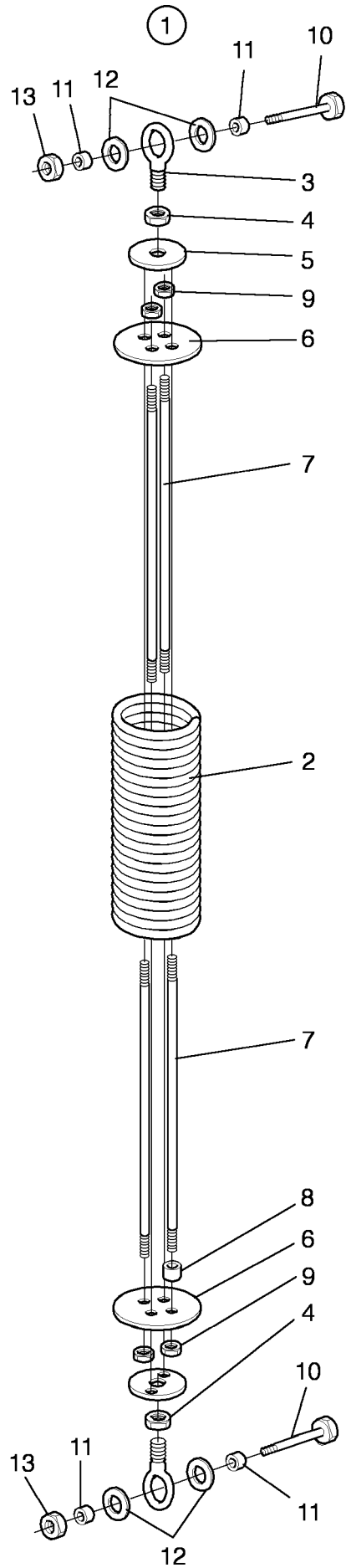
EX-100c

Out of balance switch

Commutateur asymétrique

Illustration Issue Month Year
Schéma Issue Month Year
101650/1 1 3 1999

| Item Article | Qua. Qua. | Art.No Réf. article | Description | Description | Info Info | Notes Remarques |
|-----------------|--------------|------------------------|-----------------------|-------------------------|--------------|--------------------|
| 1 | 1 | 432 0457-01 | Out of balance switch | Commutateur asymétrique | 3 | Complete |
| 2 | 1 | 432 0456-01 | Bracket | Pupitre | 3 | |
| 3 | 1 | 471 9608-00 | Out of balance switch | Commutateur asymétrique | 1,2 | |
| 4 | 2 | 471 8344-28 | Screw | Vis | 3 | M5X30 |
| 5 | 2 | 732 2114-92 | Locking nut | Contre-écrou | 3 | M5 |
| 6 | 1 | 438 7300-19 | Cable set | Jeu de câbles | 3 | |
| 7 | 1 | 471 8780-31 | Nut | Écrou | 3 | 15 |
| 8 | 1 | 438 4381-01 | Sensor | Détecteur | 1 | |
| 9 | 4 | 725 2370-61 | Screw | Vis | 3 | M6SF 6X20 |
| 10 | 4 | 732 2116-01 | Locking nut | Contre-écrou | 3 | M6 |



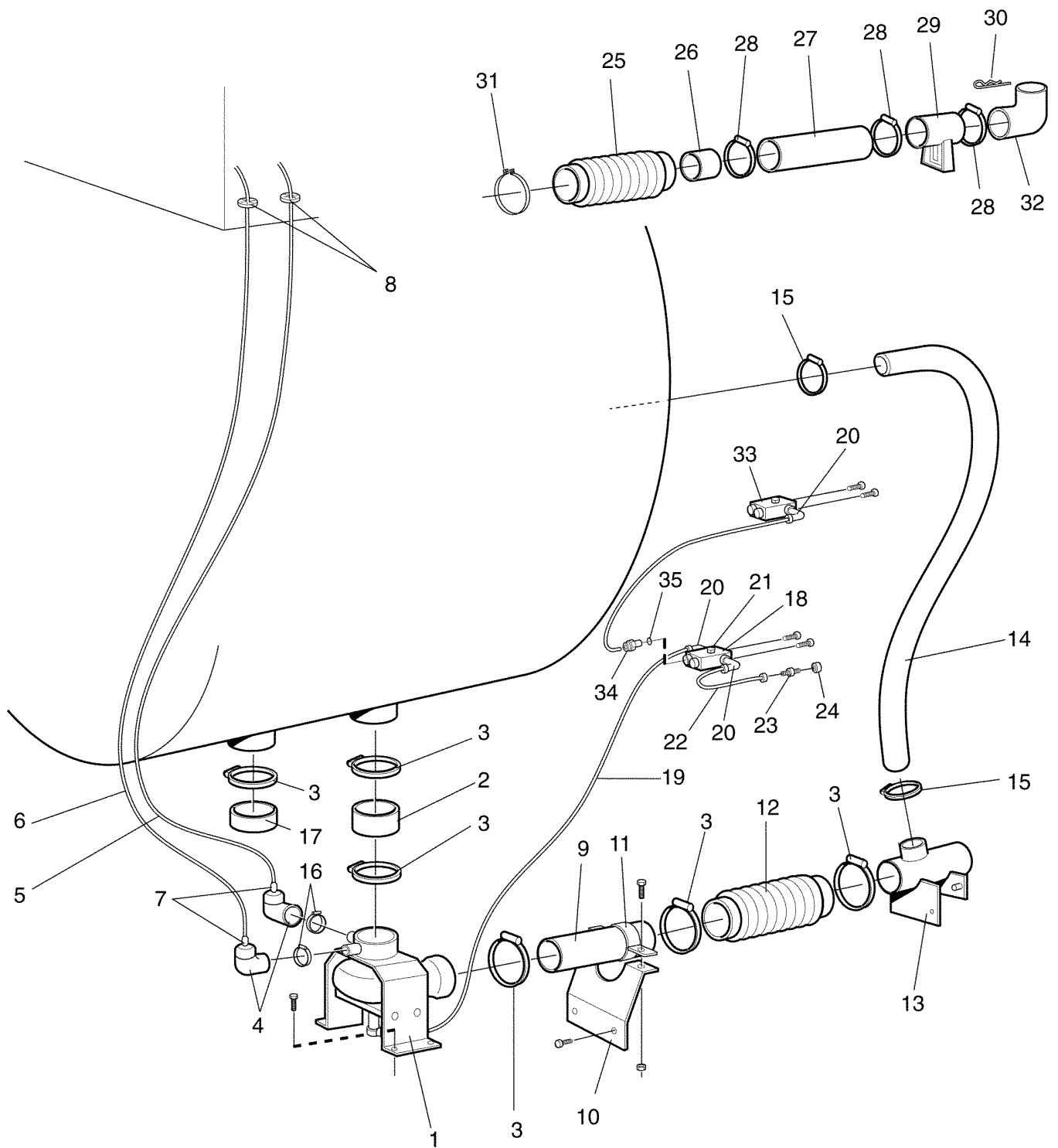
EX-100c

Suspension

Ressorts de suspension

Illustration Issue Month Year
Schéma Issue Month Year
100322 2 8 1997

| Item Article | Qua. Qua. | Art.No Réf. article | Description | Description | Info Info | Notes Remarques |
|-----------------|--------------|------------------------|------------------|----------------------|--------------|--------------------|
| 1 | 1 | 472 6234-01 | Suspension unit | Organe de suspension | 1 | |
| 2 | 1 | 471 7816-06 | •Pressure spring | •Ressort de pression | 1 | |
| 3 | 2 | 471 8307-00 | •Link head | •Tête de liaison | 3 | |
| 4 | 2 | 731 2322-01 | •Nut | •Écrou | 3 | M12 |
| 5 | 2 | 472 6231-00 | •Circular plate | •Plaque circulaire | 3 | |
| 6 | 2 | 472 6233-00 | •End support | •Support | 3 | |
| 7 | 4 | 472 6232-00 | •Rod | •Barre | 3 | |
| 8 | 4 | 471 8576-00 | •Bushing | •Douille | 1 | |
| 9 | 8 | 731 2318-01 | •Nut | •Écrou | 3 | M8 |
| 10 | 8 | 725 2544-51 | Screw | Vis | 3 | M12X60 |
| 11 | 16 | 472 6256-00 | Spacer | Entretoise | 3 | |
| 12 | 16 | 734 1178-01 | Washer | Rondelle | 3 | BRB 13X24 |
| 13 | 8 | 732 2122-01 | Locking nut | Contre-écrou | 3 | M12 |



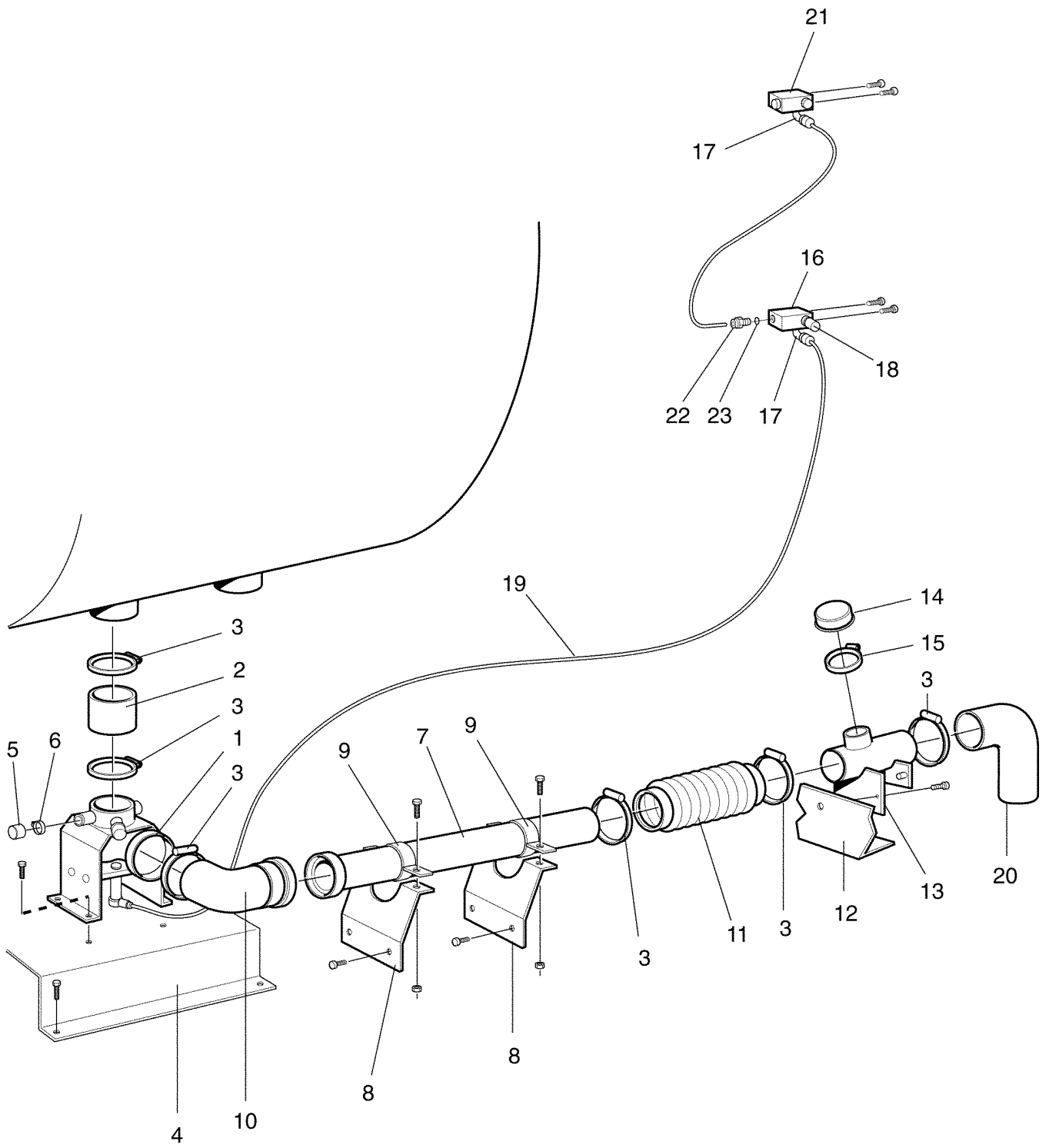
EX-100c

Drain and hoses

Ecoulement et flexibles

Illustration Issue Month Year
Schéma Issue Month Year
101428 5 1 2008

| Item Article | Qua. Qua. | Art.No Réf. article | Description | Description | Info Info | Notes Remarques |
|-----------------|--------------|------------------------|-----------------|------------------|--------------|--------------------|
| 1 | 1 | | Drain valve | Vanne de vidange | | |
| 2 | 1 | 471 8128-55 | Hose | Flexible | 1 | |
| 3 | 6 | 736 2855-51 | Hose clamp | Attache flexible | 3 | Ø138 |
| 4 | 2 | 471 2095-32 | Air chamber | Chambre à air | 1 | |
| 5 | 1 | 471 8118-06 | Hose | Flexible | 1 | L=1900 |
| 6 | 1 | 471 8118-09 | Hose | Flexible | 1 | L=2200 |
| 7 | 2 | 471 2401-52 | Nipple | Raccord | 1 | |
| 8 | 2 | 471 8164-00 | Grommet | Oeillet | 3 | D7 |
| 9 | 1 | 471 8613-03 | Tube | Tube | 3 | |
| 10 | 1 | 432 0032-01 | Bracket | Pièce de retenue | 3 | |
| 11 | 1 | 471 7855-02 | Clamp | Attache | 3 | |
| 12 | 1 | 438 4972-01 | Hose | Flexible | 1 | |
| 13 | 1 | 438 4925-01 | Connection | Connexion | 3 | |
| 14 | 1 | 432 0043-01 | Hose | Flexible | 1 | |
| 15 | 2 | 736 2846-51 | Hose clamp | Attache flexible | 3 | Ø73-83 |
| 16 | 2 | 736 2840-51 | Hose clamp | Attache flexible | 3 | Ø50-63 |
| 17 | 1 | 438 4973-01 | Cover | Couvercle | 3 | |
| 18 | 1 | 471 8229-01 | Valve | Electrovanne | 1,2 | 50Hz |
| | 1 | 471 8229-02 | Valve | Electrovanne | 1,2 | 60Hz |
| 19 | 1 | 438 8102-02 | Hose | Flexible | 3 | |
| 20 | 4 | 471 8690-22 | Angle connector | Raccord d'angle | 3 | 6/4 |
| 21 | 1 | 471 8690-81 | Plug | Fiche | 3 | |
| 22 | 1 | 471 2456-71 | Pipe | Tube | 1 | |
| 23 | 1 | 471 8690-32 | Connection | Embrayage | 3 | |
| 24 | 1 | 471 8690-91 | Bushing | Douille | 3 | |
| 25 | 1 | 472 6025-00 | Hose | Flexible | 1 | |
| 26 | 1 | 471 8613-05 | Tube | Tube | 3 | Ø50, L=80 |
| 27 | 1 | 471 8128-56 | Hose | Flexible | 1 | |
| 28 | 4 | 736 2840-51 | Hose clamp | Attache flexible | 3 | Ø50-63 |
| 29 | 1 | 471 2903-01 | Joint piece | Raccord | 3 | |
| 30 | 1 | 471 7867-01 | Pin | Goupille/broche | 3 | |
| 31 | 1 | 472 6024-00 | Ring | Anneau | 3 | |
| 32 | 1 | 472 7206-01 | Hose | Flexible | 3 | |
| 33 | 1 | 471 9202-32 | Solenoid valve | Electrovanne | 1,2 | 50Hz |
| | 1 | 471 9202-33 | Solenoid valve | Electrovanne | 1,2 | 60Hz |
| 34 | 1 | 471 8690-71 | Connection | Embrayage | 3 | |
| 35 | 1 | 740 4206-00 | O-ring | Joint torique | 3 | |



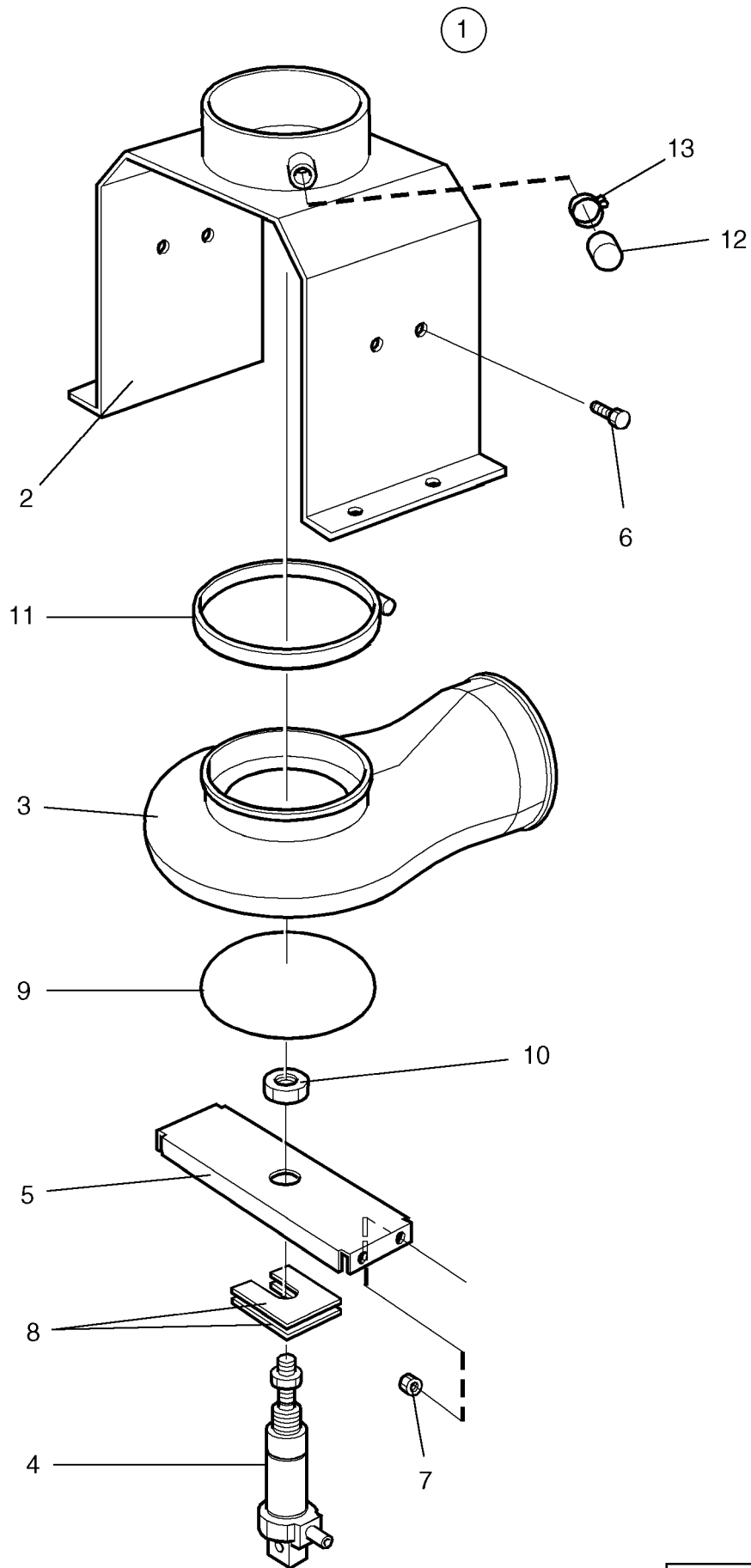
EX-100c

Drain valve and hoses, water recovery

Purgeur et flexibles, recyclage

Illustration Issue Month Year
Schéma Issue Month Year
101438 4 4 1998

| Item Article | Qua. Qua. | Art.No Réf. article | Description | Description | Info Info | Notes Remarques |
|-----------------|--------------|------------------------|-----------------|------------------|--------------|--------------------|
| 1 | 1 | | Drain valve | Vanne de vidange | | |
| 2 | 1 | 471 8128-55 | Hose | Flexible | 1 | |
| 3 | 6 | 736 2855-51 | Hose clamp | Attache flexible | 3 | Ø138 |
| 4 | 1 | 432 0046-01 | Bracket | Pièce de retenue | 3 | |
| 5 | 1 | 471 2416-83 | Hood | Capot | 3 | |
| 6 | 1 | 736 2825-51 | Hose clamp | Attache flexible | 3 | Ø32 |
| 7 | 1 | 471 8613-04 | Tube | Tube | 3 | |
| 8 | 2 | 432 0032-01 | Bracket | Pièce de retenue | 3 | |
| 9 | 2 | 471 7855-02 | Clamp | Attache | 3 | |
| 10 | 1 | 471 8610-02 | Tube | Tube | 3 | |
| 11 | 1 | 438 4972-01 | Hose | Flexible | 1 | |
| 12 | 1 | 432 0039-02 | Beam | Poutre | 3 | White |
| 13 | 1 | 438 4925-01 | Connection | Connexion | 3 | |
| 14 | 1 | 472 9087-01 | Hood | Capot | 3 | |
| 15 | 1 | 736 2849-51 | Hose clamp | Attache flexible | 3 | Ø77-93 |
| 16 | 1 | 471 8229-01 | Valve | Electrovanne | 1,2 | 50Hz |
| | 1 | 471 8229-02 | Valve | Electrovanne | 1,2 | 60Hz |
| 17 | 2 | 471 8690-22 | Angle connector | Raccord d'angle | 1 | 6/4 |
| 18 | 1 | 471 8626-03 | Nipple | Raccord | 1 | |
| 19 | 1 | 438 8102-02 | Hose | Flexible | 1 | |
| 20 | 1 | 432 0047-01 | Hose | Flexible | 3 | |
| 21 | 1 | 471 9202-32 | Solenoid valve | Electrovanne | 1,2 | 50Hz |
| | 1 | 471 9202-33 | Solenoid valve | Electrovanne | 1,2 | 60Hz |
| 22 | 1 | 471 8690-71 | Connection | Embrayage | 1 | |
| 23 | 1 | 740 4206-00 | O-ring | Joint torique | 1 | |



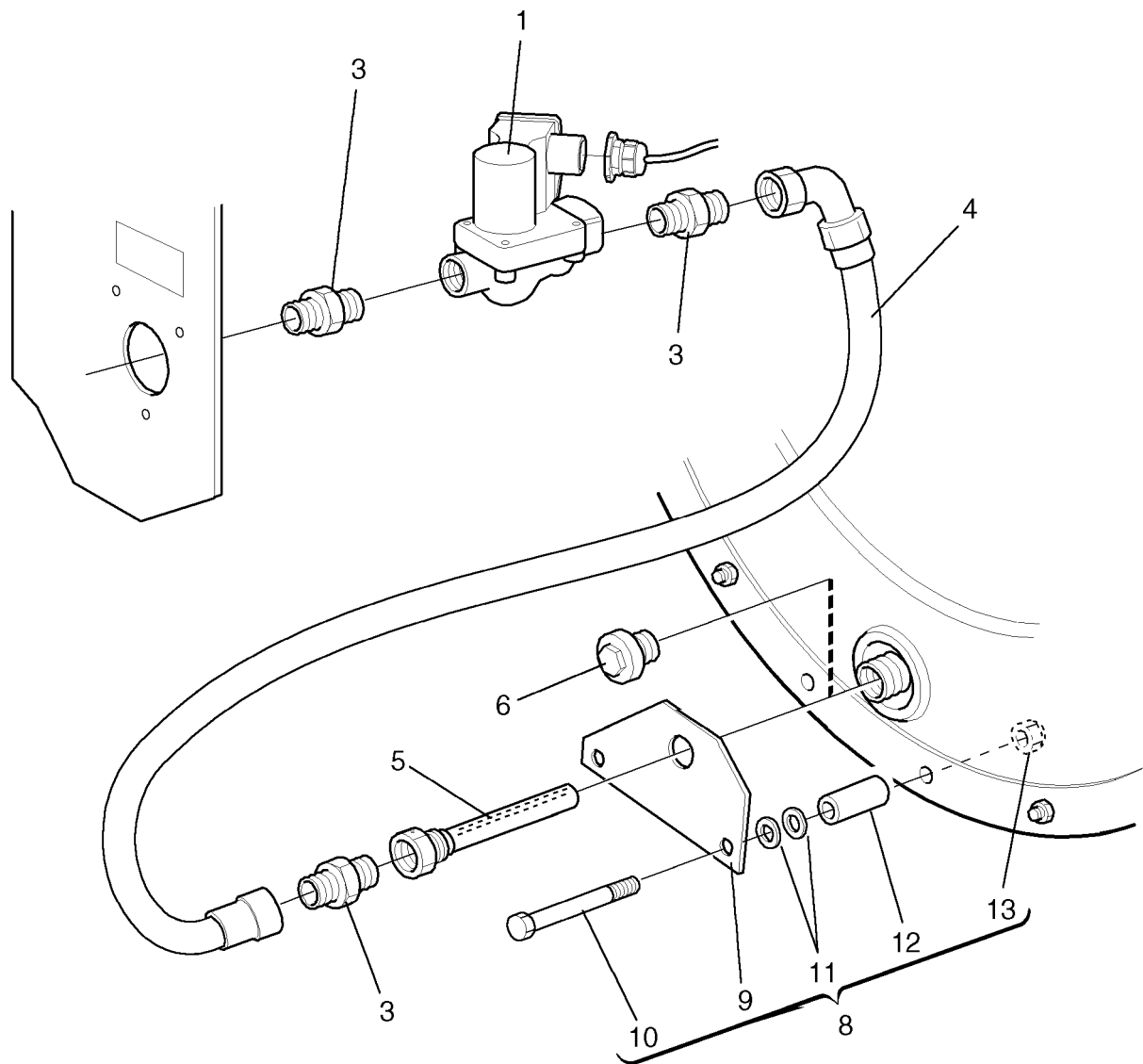
EX-100c

Drain valve

Vanne de vidange

Illustration Issue Month Year
Schéma Issue Month Year
101432/3 1 3 1997

| Item Article | Qua. Qua. | Art.No Réf. article | Description | Description | Info Info | Notes Remarques |
|-----------------|--------------|------------------------|-----------------|---------------------|--------------|--------------------|
| 1 | 1 | 438 4982-01 | Drain valve | Vanne de vidange | 1 | Complete |
| 2 | 1 | 438 4951-01 | •Housing | •Logement | 3 | |
| 3 | 1 | 438 4921-01 | •Hose | •Flexible | 1,2 | |
| 4 | 1 | 471 8281-01 | •Air cylinder | •Air cylinder | 1,2 | |
| 5 | 1 | 438 4961-01 | •Bracket | •Bride | 3 | |
| 6 | 4 | 725 2366-61 | •Screw | •Vis | 3 | M6SF 6X12 |
| 7 | 4 | 732 2116-01 | •Locking nut | •Contre-écrou | 3 | M6 |
| 8 | 2 | 432 0067-01 | •Washer | •Rondelle | 3 | |
| 9 | 2 | 438 4924-01 | •Pressure plate | •Plaque de pression | 3 | |
| 10 | 1 | 732 2118-01 | •Locking nut | •Contre-écrou | 3 | M8 |
| 11 | 1 | 736 2855-51 | •Hose clamp | •Attache flexible | 3 | Ø138 |
| 12 | 1 | 471 9037-73 | •Sleeve | •Manchon | 3 | |
| 13 | 1 | 736 2816-51 | •Hose clamp | •Attache flexible | 3 | Ø13-19 |



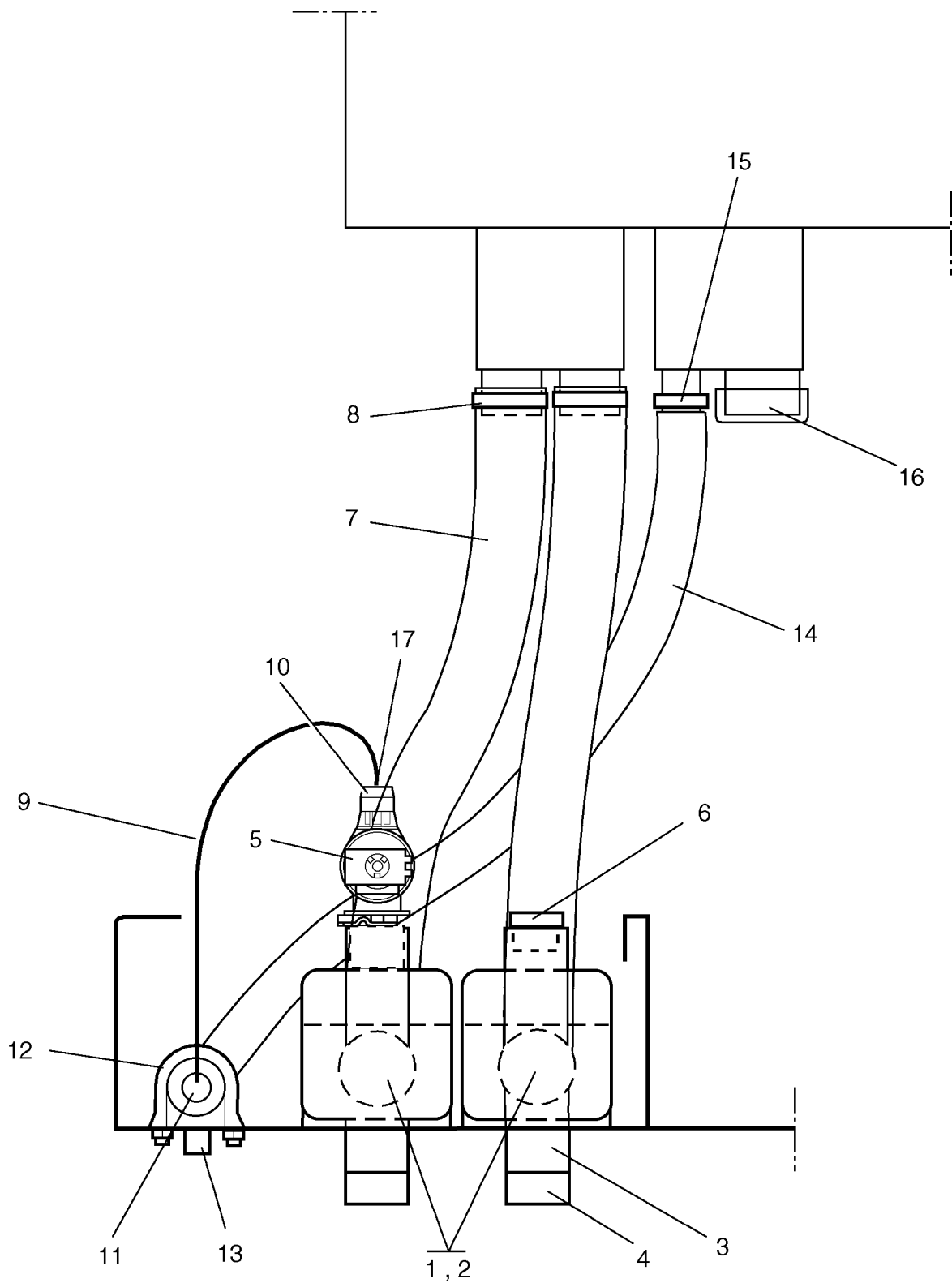
EX-100c

Steam components

Illustration Issue Month Year
Schéma Issue Month Year
101464/5 8 12 2001

Composants

| Item Article | Qua. Qua. | Art.No Réf. article | Description | Description | Info Info | Notes Remarques |
|-----------------|--------------|------------------------|----------------|--------------------------|--------------|--------------------|
| 1 | 1 | 471 8279-04 | Valve | Electrovanne | 1,2 | |
| | 1 | 471 8279-09 | •Repair kit | •Kit de réparation | 1,2 | |
| | 1 | 471 8232-14 | Valve | Electrovanne | 1,2 | Air controlled |
| 2 | | | | | | Not used |
| 3 | 3 | 471 9219-38 | Nipple | Raccord | 3 | 3/4" |
| 4 | 1 | 471 8126-23 | Hose | Flexible | 1,2 | |
| 5 | 1 | 432 0473-01 | Steam injector | Injecteur de vapeur | 3 | |
| 6 | 1 | 741 5115-24 | Plug | Fiche | 3 | 3/4" |
| 7 | | | | | | Not used |
| 8 | 1 | 438 4541-01 | Repair kit | Kit de reconditionnement | 1 | |
| 9 | 1 | 432 0464-01 | •Support | •Support | 3 | |
| 10 | 2 | 725 2509-51 | •Screw | •Vis | 3 | M10X90 |
| 11 | 4 | 734 1173-01 | •Washer | •Rondelle | 3 | BRB 10,5X21 |
| 12 | 2 | 432 0465-03 | •Spacer | •Entretoise | 3 | |
| 13 | 2 | 471 8409-05 | •Locking nut | •Contre-écrou | 3 | M10 |



| Issue | Month | Year |
|-------|-------|------|
| 04 | 10 | 00 |

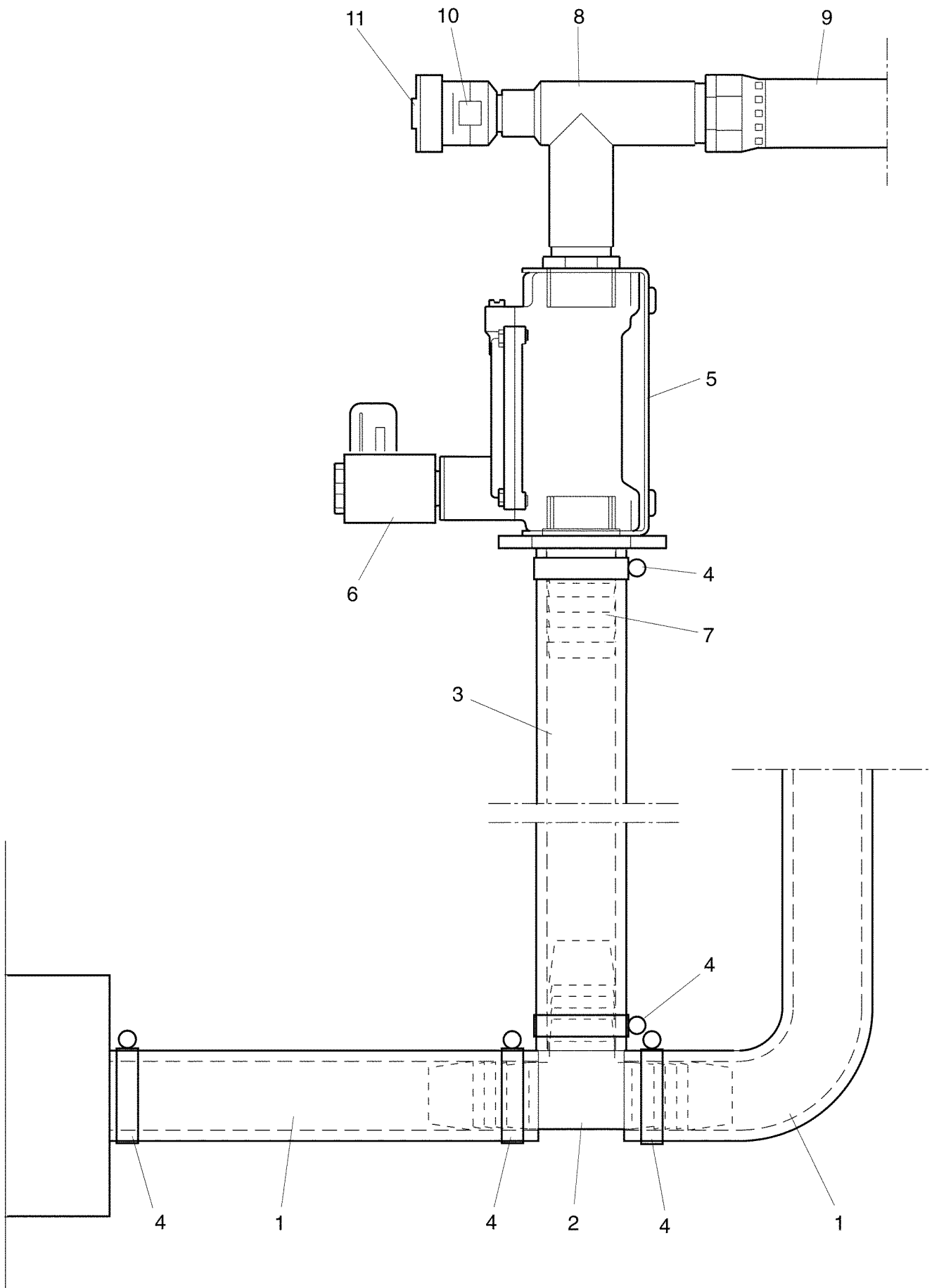
EX-100c

Water connections

Raccords d'eau

Illustration Issue Month Year
Schéma Issue Month Year
101429 5 4 2001

| Item Article | Qua. Qua. | Art.No Réf. article | Description | Description | Info Info | Notes Remarques |
|-----------------|--------------|------------------------|-------------|--------------------|--------------|--|
| 1 | 2 | 471 8210-32 | Valve | Electrovanne | 1,2 | 1 1/4" 50Hz See group US8125 |
| | 2 | 471 8210-31 | Valve | Electrovanne | 1,2 | 1 1/4" 60Hz See group US8125 |
| 2 | 2 | 438 4967-10 | Bracket | Support de montage | 3 | |
| 3 | 2 | 472 6365-03 | T-pipe | Tube en T | 3 | 1 1/4" VALVES |
| 4 | 2 | 744 3117-06 | Filter | Filtre | 1 | R 1 1/4" |
| 5 | 1 | 471 8234-52 | Valve | Electrovanne | 1,2 | 1-way, 208-240V 50/60Hz, BSP See group US8113 |
| 6 | 1 | 741 5115-24 | Plug | Fiche | 3 | 3/4" |
| 7 | 2 | 432 0052-01 | Hose | Flexible | 1 | |
| 8 | 4 | 736 2831-51 | Hose clamp | Attache flexible | 3 | Ø36-42 |
| 9 | RQ | 877 5211-08 | Hose | Flexible | 1 | Per 1 m PER 1M |
| 10 | 6 | 736 2816-51 | Hose clamp | Attache flexible | 3 | Ø13-19 |
| 11 | 1 | 432 0035-01 | Tube | Tube | 3 | |
| 12 | 2 | 471 7858-05 | Clamp | Attache | 3 | |
| 13 | 5 | 471 8651-50 | Plug | Fiche | 3 | |
| 14 | 1 | 471 8117-10 | Hose | Flexible | 1 | L=680 |
| 15 | 4 | 736 2825-51 | Hose clamp | Attache flexible | 3 | Ø32 |
| 16 | 1 | 471 2032-39 | Hood | Capot | 3 | |
| 17 | 1 | 471 8234-95 | Restrictor | Réducteur de débit | 3 | |



| Issue | Month | Year |
|-------|-------|------|
| 01 | 01 | 97 |

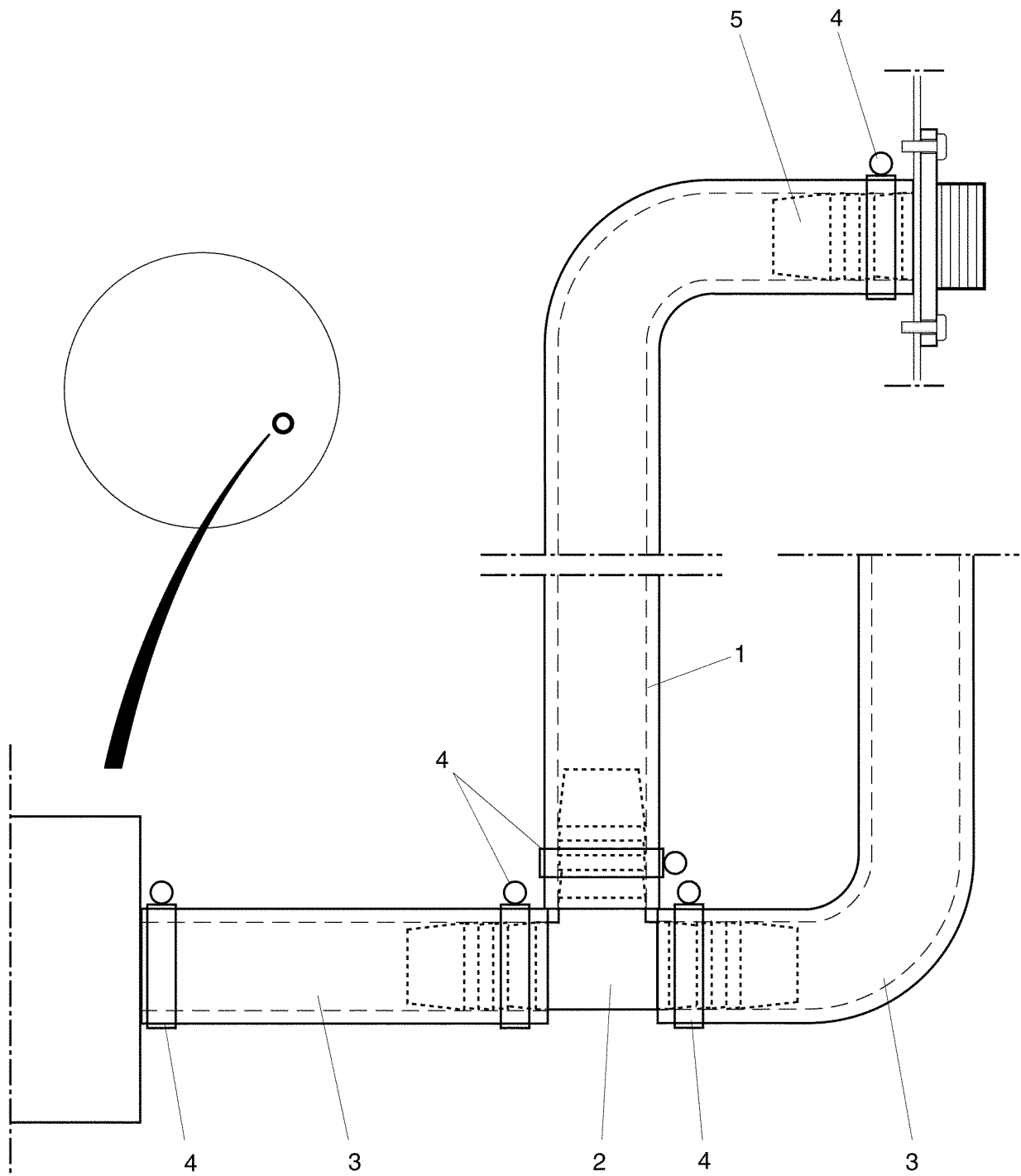
EX-100c

Third water valve

Soupapes vapeur et eau

Illustration Issue Month Year
Schéma Issue Month Year
101461 2 5 1998

| Item Article | Qua. Qua. | Art.No Réf. article | Description | Description | Info Info | Notes Remarques |
|-----------------|--------------|------------------------|-------------|---------------------|--------------|--------------------|
| 1 | 1 | 432 0052-11 | Hose | Flexible | 1 | |
| 2 | 1 | 471 8673-01 | Y-pipe | Collecteur | 3 | |
| 3 | 1 | 432 0052-10 | Hose | Flexible | 1 | |
| 4 | 5 | 736 2831-51 | Hose clamp | Attache flexible | 3 | Ø36-42 |
| 5 | 1 | 438 4967-10 | Bracket | Support de montage | 3 | |
| 6 | 1 | 471 8210-32 | Valve | Electrovanne | 1,2 | 1 1/4" 50Hz |
| | 1 | 471 8210-31 | Valve | Electrovanne | 1,2 | 1 1/4" 60Hz |
| 7 | 1 | 472 6375-02 | Hose nipple | Mamelon de flexible | 3 | 1 1/4" |
| 8 | 1 | 472 6365-03 | T-pipe | Tube en T | 3 | 1 1/4" VALVES |
| 9 | 1 | 471 8126-07 | Hose | Flexible | 1 | |
| 10 | 1 | 744 3117-06 | Filter | Filtre | 1 | R 1 1/4" |
| 11 | 1 | 741 5115-24 | Plug | Fiche | 3 | 3/4" |



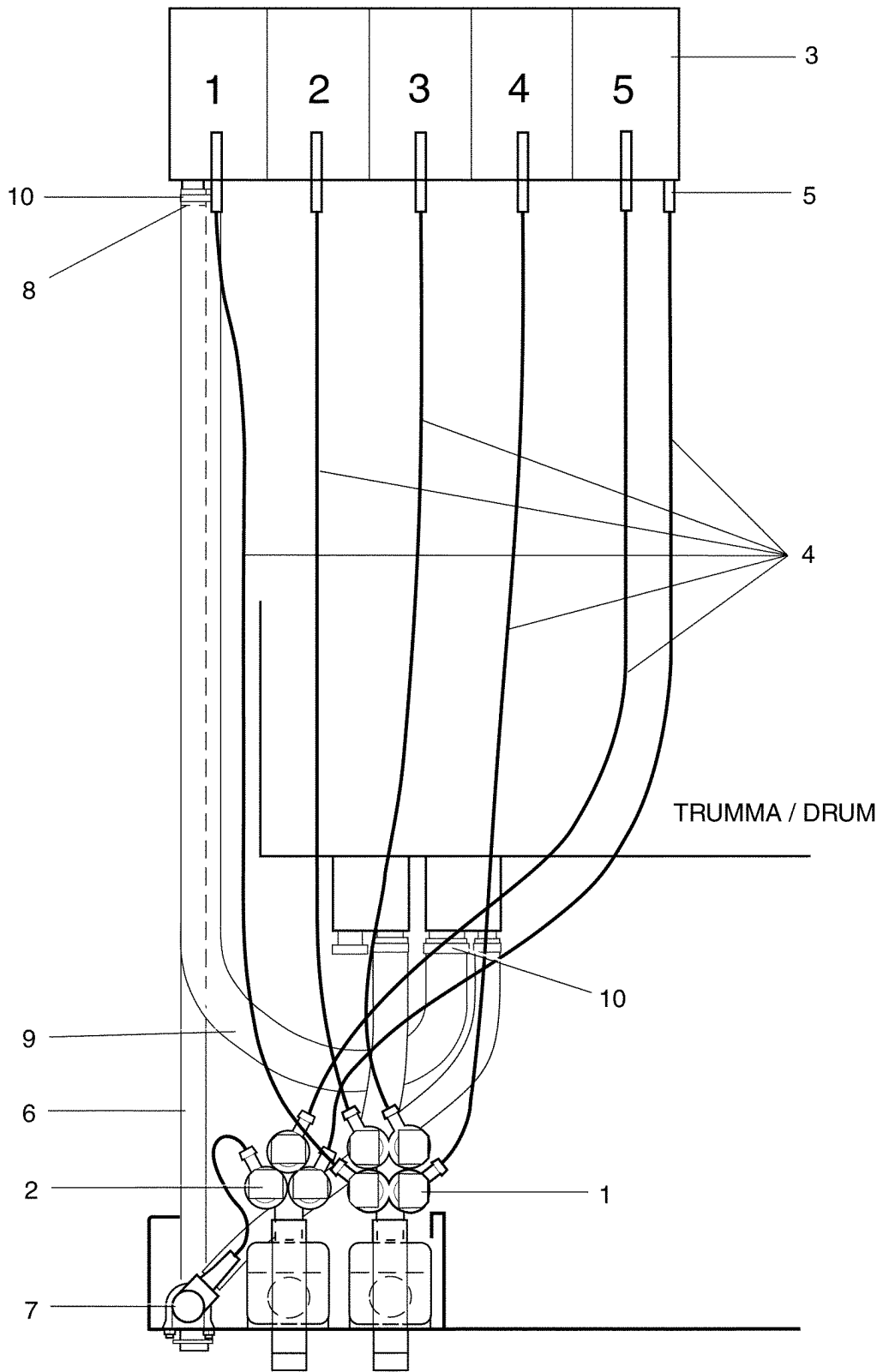
EX-100c

Return water connection via pump

Raccord eau retour par pompe

| | | | |
|---------------|----------|----------|-------------|
| Illustration | Issue | Month | Year |
| Schéma | Issue | Month | Year |
| 101460 | 1 | 3 | 1997 |

| Item Article | Qua. Qua. | Art.No Réf. article | Description | Description | Info Info | Notes Remarques |
|-----------------|--------------|------------------------|-------------|------------------|--------------|--------------------|
| 1 | 1 | 432 0052-01 | Hose | Flexible | 1 | |
| 2 | 1 | 471 8673-01 | Y-pipe | Collecteur | 3 | |
| 3 | 3 | 432 0052-10 | Hose | Flexible | 1 | |
| 4 | 5 | 736 2831-51 | Hose clamp | Attache flexible | 3 | Ø36-42 |
| 5 | 1 | 472 7261-01 | Nipple | Raccord | 3 | |



| Issue | Month | Year |
|-------|-------|------|
| 02 | 03 | 98 |

EX-100c -98/999

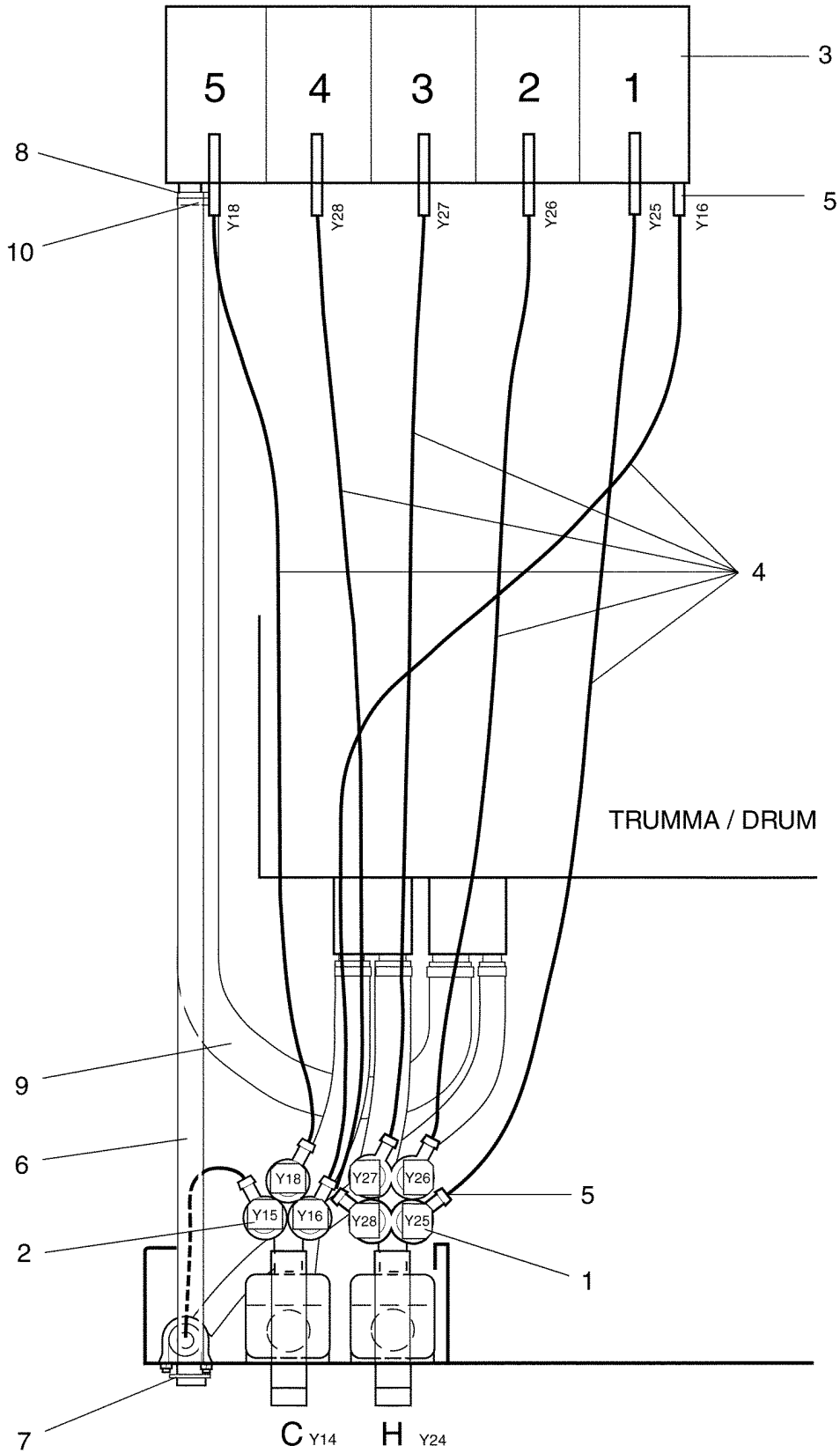
Water connection, detergent container

Raccord eau compartiment à savon

Illustration Issue Month Year
Schéma Issue Month Year
101431 2 10 2000

| Item Article | Qua. Qua. | Art.No Réf. article | Description | Description | Info Info | Notes Remarques |
|-----------------|--------------|------------------------|---------------------|----------------------|--------------|--|
| 1 | 1 | 471 8240-57 | Valve | Electrovanne | 1,2 | 4-way, 208-240V 50/60Hz, BSP See group US8114 |
| 2 | 1 | 471 8236-52 | Valve | Electrovanne | 1,2 | 3-way, 208-240V 50/60Hz, BSP See group US8113 |
| 3 | 1 | | Detergent container | Compartiment à savon | | |
| 4 | RQ | 877 5211-08 | Hose | Flexible | 1 | Per 1 m PER 1M |
| 5 | 12 | 736 2816-51 | Hose clamp | Attache flexible | 3 | Ø13-19 |
| 6 | 1 | 438 0145-14 | Hose | Flexible | 1 | |
| 7 | 1 | 438 0127-01 | Lock | Serrure | 3 | |
| 8 | 1 | 736 2825-51 | Hose clamp | Attache flexible | 3 | Ø32 |
| 9 | 1 | 432 0058-01 | Hose | Flexible | 1 | |
| 10 | 2 | 736 2840-51 | Hose clamp | Attache flexible | 3 | Ø50-63 |

TMPF



| Issue | Month | Year |
|-------|-------|------|
| 01 | 03 | 98 |

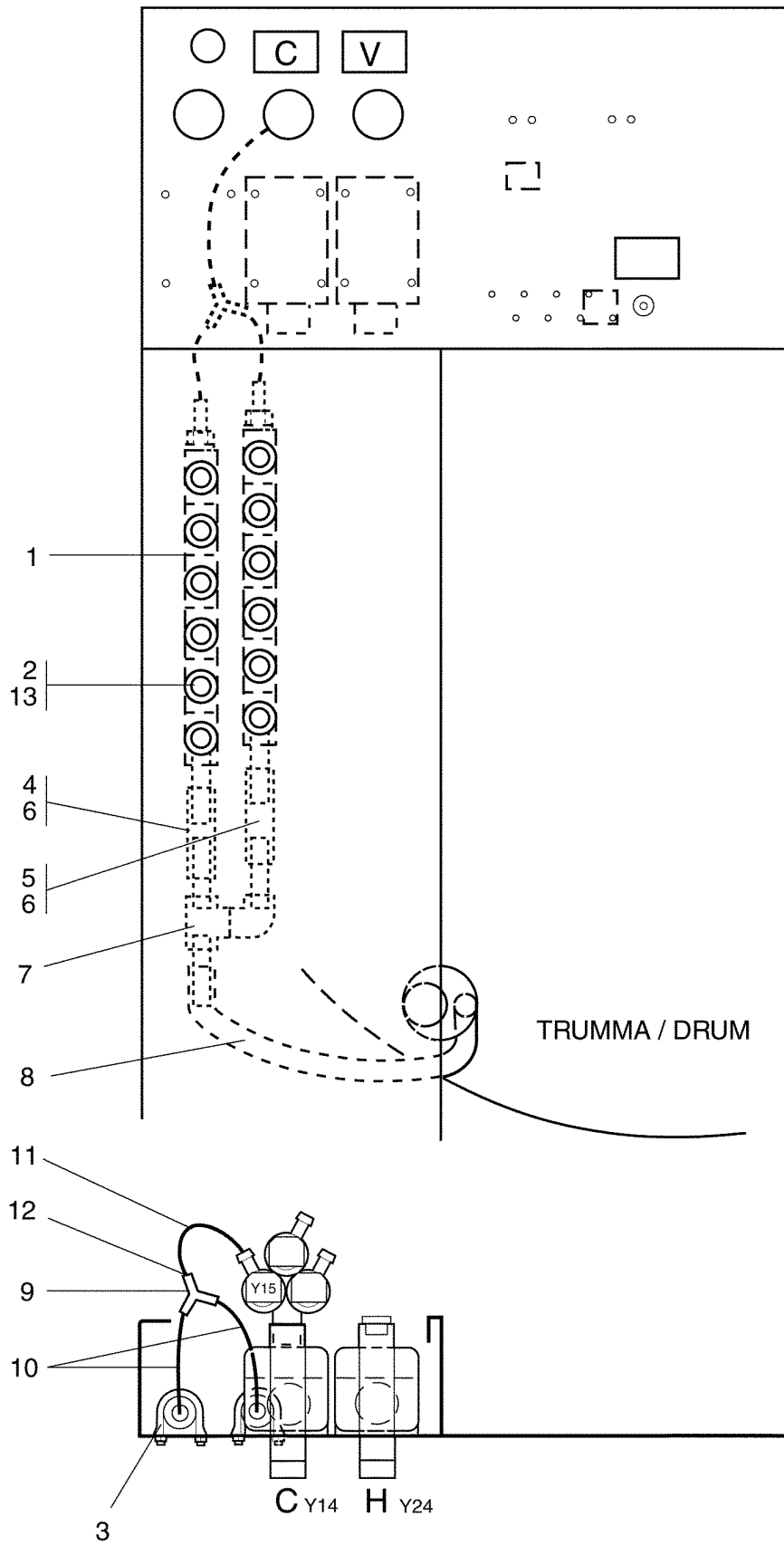
EX-100c 98/1000-

Water connection, detergent container

Raccord eau compartiment à savon

Illustration Issue Month Year
Schéma Issue Month Year
101622 2 10 2000

| Item Article | Qua. Qua. | Art.No Réf. article | Description | Description | Info Info | Notes Remarques |
|-----------------|--------------|------------------------|---------------------|----------------------|--------------|------------------------------|
| 1 | 1 | 471 8240-57 | Valve | Electrovanne | 1,2 | 4-way, 208-240V 50/60Hz, BSP |
| 2 | 1 | 471 8236-52 | Valve | Electrovanne | 1,2 | 3-way, 208-240V 50/60Hz, BSP |
| 3 | 1 | | Detergent container | Compartiment à savon | | |
| 4 | RQ | 877 5211-08 | Hose | Flexible | 1 | Per 1 m PER 1M |
| 5 | 13 | 736 2816-51 | Hose clamp | Attache flexible | 3 | Ø13-19 |
| 6 | 1 | 438 0145-14 | Hose | Flexible | 1 | |
| 7 | 1 | 438 0127-01 | Lock | Serrure | 3 | |
| 8 | 1 | 736 2825-51 | Hose clamp | Attache flexible | 3 | Ø32 |
| 9 | 1 | 432 0058-01 | Hose | Flexible | 1 | |
| 10 | 2 | 736 2840-51 | Hose clamp | Attache flexible | 3 | Ø50-63 |



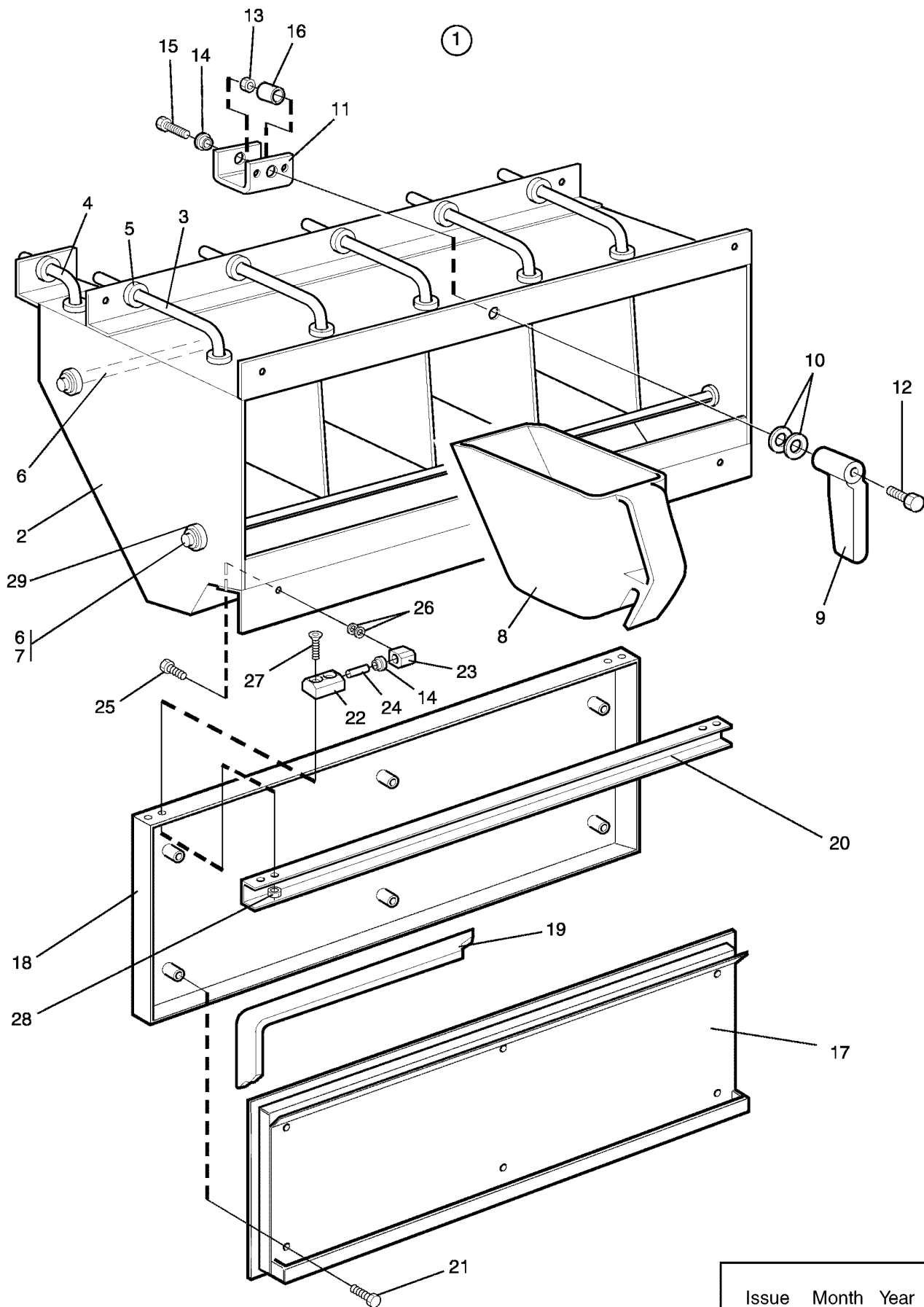
EX-100c

Water connection liquid detergent

Raccord eau produit de lavage liquide

Illustration Issue Month Year
Schéma Issue Month Year
101623 1 4 1998

| Item Article | Qua. Qua. | Art.No Réf. article | Description | Description | Info Info | Notes Remarques |
|-----------------|--------------|------------------------|-------------|---------------------|--------------|--------------------|
| 1 | 1 | 432 0035-01 | Tube | Tube | 3 | |
| 2 | 5 | 471 8651-50 | Plug | Fiche | 3 | |
| 3 | 2 | 471 7858-05 | Clamp | Attache | 3 | |
| 4 | 1 | 471 2436-02 | Hose | Flexible | 1 | |
| 5 | 1 | 471 2461-04 | Hose | Flexible | 1 | |
| 6 | 6 | 736 2825-51 | Hose clamp | Attache flexible | 3 | Ø32 |
| 7 | 1 | 432 0074-01 | T-pipe | Tube en T | 3 | |
| 8 | 1 | 471 2440-39 | Hose | Flexible | 1 | |
| 9 | 1 | 471 8628-21 | Y-pipe | Collecteur | 3 | |
| 10 | 2 | 471 2449-94 | Hose | Flexible | 1 | |
| 11 | 1 | 471 2460-99 | Hose | Flexible | 3 | |
| 12 | 4 | 736 2816-51 | Hose clamp | Attache flexible | 3 | Ø13-19 |
| 13 | 5 | 471 8682-04 | Hose nipple | Mamelon de flexible | 3 | |



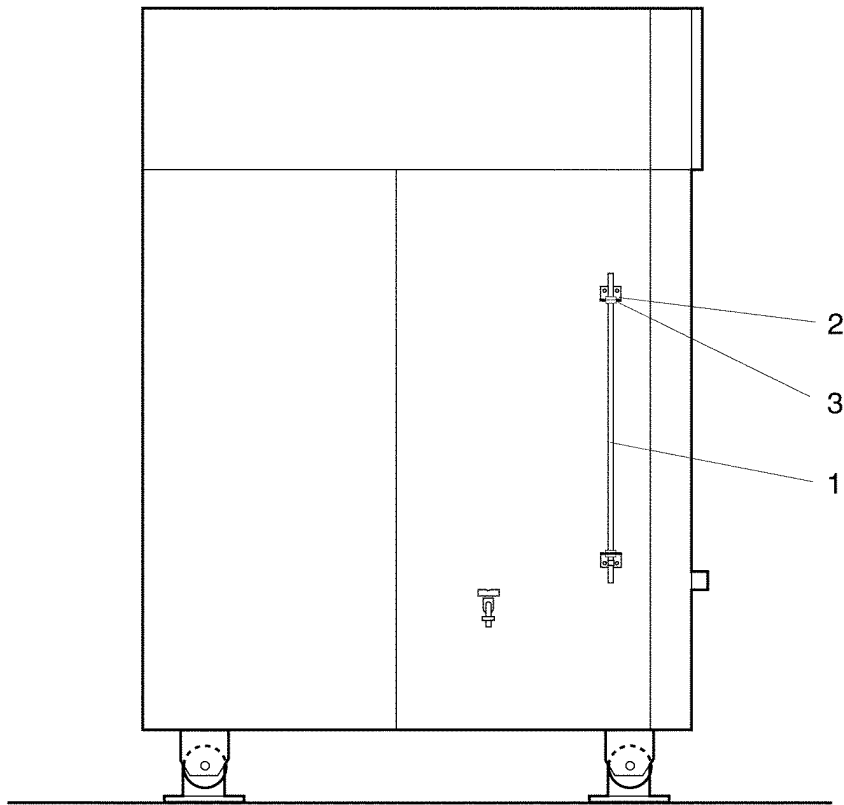
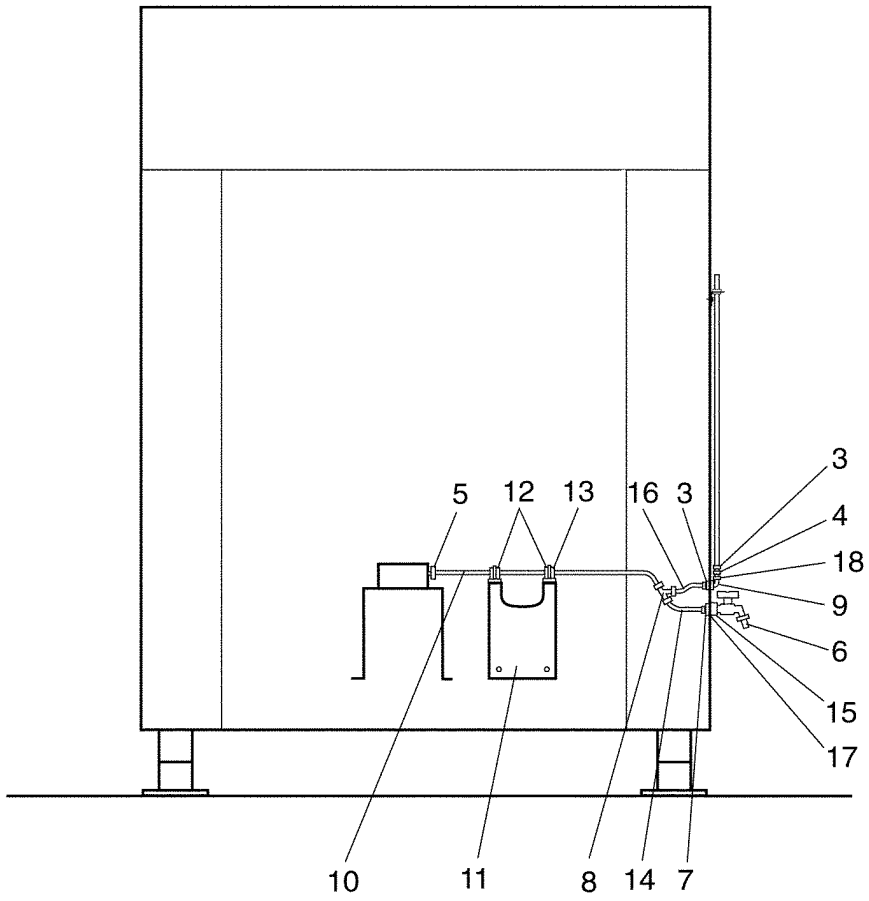
EX-100c

Dispensing components

Distributeur de savon

Illustration Issue Month Year
Schéma Issue Month Year
101452/2 4 3 2003

| Item Article | Qua. Qua. | Art.No Réf. article | Description | Description | Info Info | Notes Remarques |
|-----------------|--------------|------------------------|----------------------|----------------------|--------------|--------------------|
| 1 | 1 | 472 7256-03 | Detergent container | Compartment à savon | 3 | Complete |
| 2 | 1 | 472 7260-02 | •Detergent container | •Compartment à savon | 3 | |
| 3 | 5 | 432 0054-02 | •Pipe | •Tube | 3 | |
| 4 | 1 | 432 0054-01 | •Elbow | •Tube coudé | 3 | |
| 5 | 16 | 471 8164-01 | •Grommet | •Oeillet | 3 | |
| 6 | 2 | 472 6346-01 | •Support | •Support | 3 | |
| 7 | 4 | 735 5852-00 | •Washer | •Rondelle | 3 | |
| 8 | 5 | 472 6374-01 | •Cup | •Godet | 1 | |
| 9 | 1 | 472 6028-01 | •Handle | •Poignée | 1 | |
| 10 | 2 | 734 1178-09 | •Washer | •Rondelle | 3 | BRB 13X24 |
| 11 | 1 | 471 4210-01 | •Clamp | •Bride de fixation | 3 | |
| 12 | 1 | 725 5340-01 | •Screw | •Vis | 3 | M5X45 |
| 13 | 1 | 731 2314-01 | •Nut | •Écrou | 3 | M5 |
| 14 | 3 | 471 8577-02 | •Bushing | •Douille | 1 | |
| 15 | 1 | 471 8344-28 | •Screw | •Vis | 3 | M5X30 |
| 16 | 1 | 472 6029-01 | •Shaft | •Arbre | 3 | |
| 17 | 1 | 432 0477-01 | •Door | •Plaque | 3 | |
| 18 | 1 | 472 6363-05 | •Cover | •Couvercle | 3 | |
| 19 | 1 | 471 8174-01 | •Strip | •Ruban | 1 | |
| 20 | 1 | 432 0476-01 | •U-section | •Fer en forme de U | 3 | |
| 21 | 6 | 471 8320-01 | •Screw | •Vis | 3 | M6X12 |
| 22 | 2 | 472 6397-02 | •Bracket | •Support de montage | 3 | |
| 23 | 2 | 472 6396-01 | Bracket | Support de montage | 3 | |
| 24 | 2 | 720 1307-06 | Pin | Goupille | 3 | |
| 25 | 2 | 471 8344-24 | •Screw | •Vis | 3 | M5X12 |
| 26 | 10 | 734 1153-09 | •Washer | •Rondelle | 3 | BRB 6,4X12 |
| 27 | 4 | 471 8348-17 | •Screw | •Vis | 3 | M4X20 |
| 28 | 4 | 732 2112-42 | •Locking nut | •Contre-écrou | 3 | M4 |



| Issue | Month | Year |
|-------|-------|------|
| 04 | 10 | 99 |

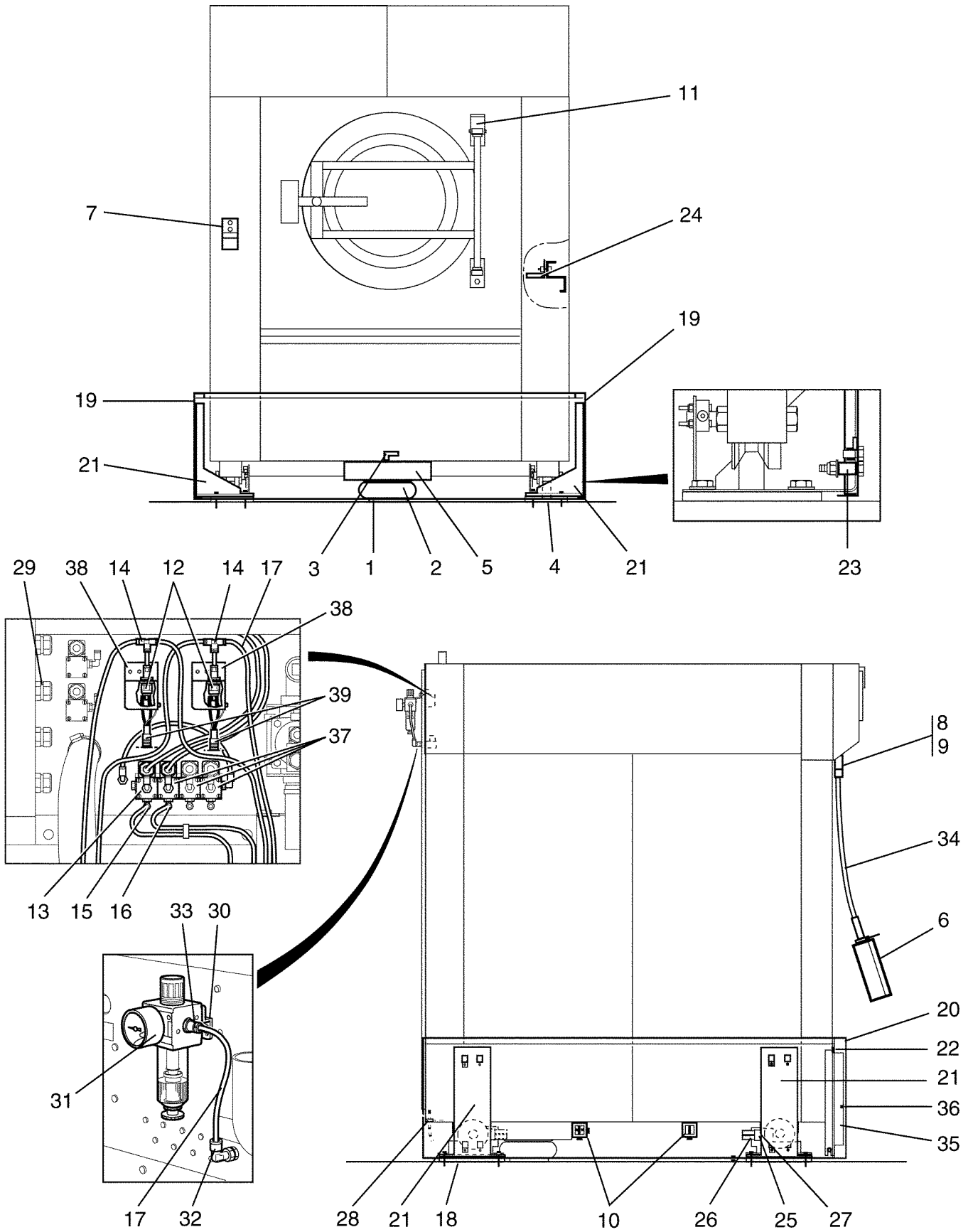
EX-100c

Level tube and test tap

Tuyau de niveau et robinet de test

Illustration Issue Month Year
Schéma Issue Month Year
101433/1 3 3 2005

| Item Article | Qua. Qua. | Art.No Réf. article | Description | Description | Info Info | Notes Remarques |
|-----------------|--------------|------------------------|-------------|---------------------|--------------|--------------------|
| 1 | 1 | 471 8665-04 | Glass gauge | Tube à niveau d'eau | 1 | |
| 2 | 2 | 471 2841-01 | Bracket | Support de montage | 3 | |
| 3 | 3 | 471 8164-01 | Grommet | Oeillet | 3 | |
| 4 | RQ | 471 8140-13 | Hose | Flexible | 1 | PER 1M |
| 5 | 6 | 736 2816-51 | Hose clamp | Attache flexible | 3 | Ø13-19 |
| 6 | 1 | 471 8238-01 | Tap | Robinet | 3 | |
| 7 | 1 | 471 8614-04 | Hose nipple | Mamelon de flexible | 3 | |
| 8 | 1 | 471 8628-21 | Y-pipe | Collecteur | 3 | |
| 9 | 1 | 472 6345-01 | Elbow | Tube coudé | 3 | |
| 10 | 1 | 471 8140-10 | Hose | Flexible | 1 | |
| 11 | 1 | 432 0064-01 | Bracket | Support de montage | 3 | |
| 12 | 1 | 471 8117-11 | Hose | Flexible | 1 | |
| 13 | 2 | 471 7858-04 | Clamp | Attache | 3 | |
| 14 | 1 | 471 8140-11 | Hose | Flexible | 1 | |
| 15 | 1 | 471 8690-04 | Muff | Tubulure | 3 | |
| 16 | 1 | 471 8140-12 | Hose | Flexible | 1 | |
| 17 | 1 | 471 8159-06 | Gasket | Joint | 1 | |
| 18 | 2 | 736 2119-11 | Hose clamp | Attache flexible | 3 | |



| Issue | Month | Year |
|-------|-------|------|
| 06 | 10 | 03 |

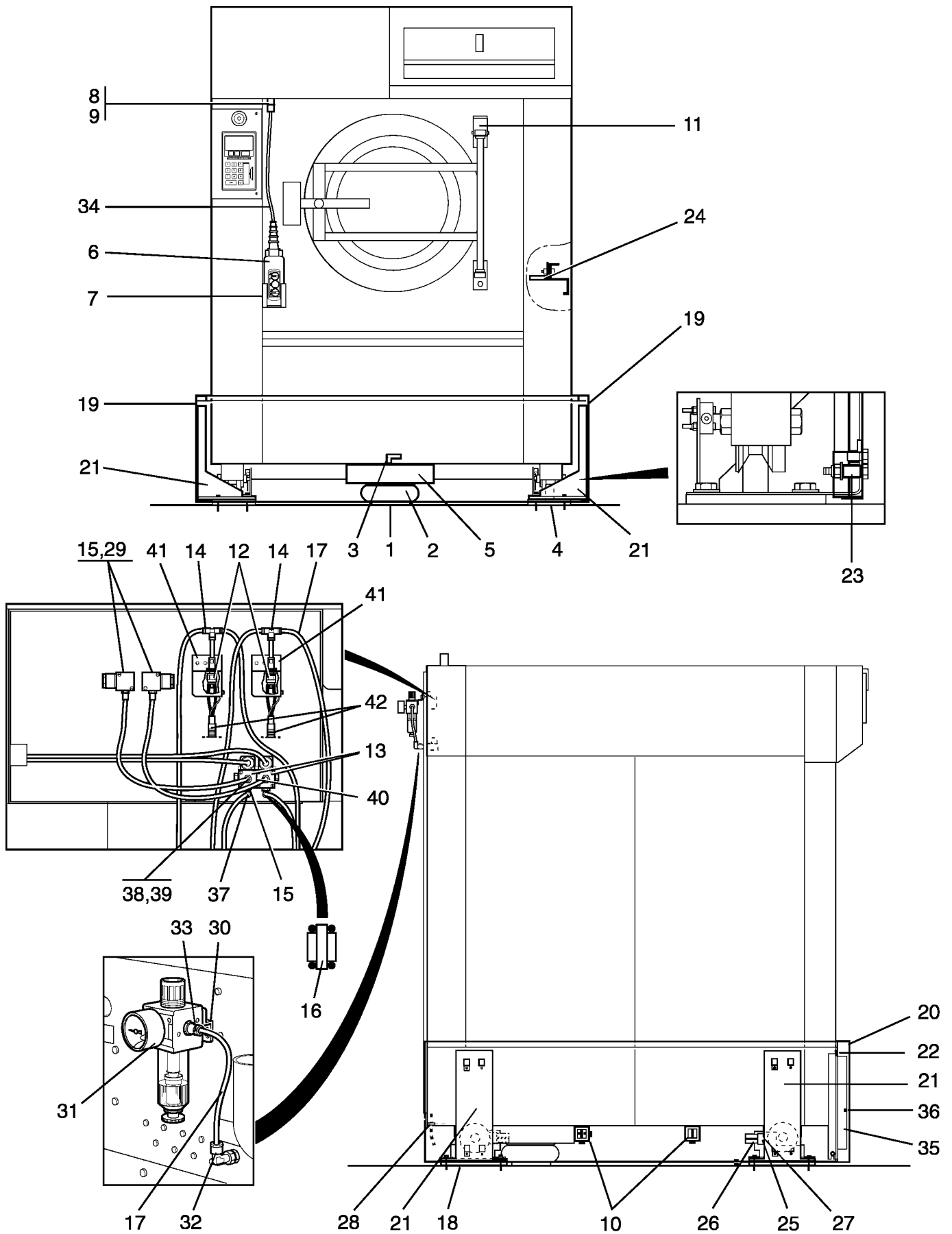
EX-100c -98/999

Tilt, forward and forward/backward

Basculement, avant et avant/arrière

Illustration Issue Month Year
Schéma Issue Month Year
101434/6 5 10 2000

| Item Article | Qua. Qua. | Art.No Réf. article | Description | Description | Info Info | Notes Remarques |
|-----------------|--------------|------------------------|---------------------|-------------------------------|--------------|-----------------------------|
| 1 | RQ | 471 4207-01 | Plate | Tableau | 3 | |
| 2 | RQ | 471 8271-02 | Cylinder | Cylindre | 1 | |
| 3 | RQ | 471 8690-22 | Angle connector | Raccord d'angle | 1 | 6/4 |
| 4 | 4 | 472 6818-03 | Foot | Pied | 3 | |
| 5 | RQ | 471 4005-62 | Mounting plate | Plaque de montage | 3 | |
| 6 | 1 | 471 8721-06 | Control for tilting | Bouton-poussoir | 1 | |
| 7 | 1 | 472 6855-01 | Hook | Crochet | 3 | |
| 8 | 1 | 471 8780-14 | Screw fitting | Vis de raccord | 3 | |
| 9 | 1 | 471 8780-64 | Nut | Écrou | 3 | |
| 10 | RQ | 472 7286-01 | Beam | Poutre | 3 | |
| 11 | 1 | 472 9388-04 | Door locking device | Dispositif fermeture de porte | 3 | |
| 12 | RQ | 438 4516-01 | Pressure sensor | Capteur de pression | 1 | |
| 13 | RQ | 471 8229-01 | Valve | Electrovanne | 1,2 | 50Hz |
| | RQ | 471 8229-02 | Valve | Electrovanne | 1,2 | 60Hz |
| 14 | RQ | 471 8690-61 | Y-pipe | Collecteur | 3 | |
| 15 | RQ | 471 8690-22 | Angle connector | Raccord d'angle | 1 | 6/4 |
| 16 | RQ | 471 8626-03 | Nipple | Raccord | 1 | |
| 17 | RQ | 438 8102-04 | Hose | Flexible | 1 | PER 5M |
| 18 | 2 | 472 9214-02 | Plate | Plaque | 3 | |
| 19 | 2 | 432 0060-01 | Side cover | Protection latérale | 3 | |
| 20 | 1 | 432 0061-01 | Front panel | Panneau avant | 3 | |
| 21 | 4 | 432 0062-01 | Pillar | Montant | 3 | |
| 22 | 2 | 471 8196-01 | Plug | Fiche | 3 | |
| 23 | 2 | 472 9209-01 | Pin | Goupille | 3 | |
| 24 | 2 | 432 0063-01 | Catch | Dispositif blocage | 3 | |
| 25 | 2 | 471 8280-02 | Valve | Electrovanne | 1,2 | FORWARD/BACKWARD TILTING |
| 26 | 4 | 471 8690-32 | Connection | Embrayage | 1 | FORWARD/BACKWARD TILTING |
| 27 | 2 | 438 4899-01 | Bracket | Pièce de retenue | 3 | FORWARD/BACKWARD TILTING |
| 28 | 1 | 762 1152-10 | Grommet | Oeillet | 3 | |
| 29 | 1 | 471 8780-05 | Screw fitting | Vis de raccord | 3 | |
| 30 | 1 | 471 8275-50 | Angle | Coude | 3 | |
| 31 | 1 | 471 8275-01 | Regulator | Régulateur | 3 | |
| 32 | 1 | 471 8690-22 | Angle connector | Raccord d'angle | 1 | 6/4 |
| 33 | 1 | 471 8690-31 | Connection | Embrayage | 1 | |
| 34 | 1 | 438 7300-11 | Cables | Câble | 3 | |
| 35 | 3 | 432 0114-01 | Plate | Plaque | 3 | |
| 36 | 9 | 471 8641-01 | Plug | Fiche | 3 | |
| 37 | RQ | 471 8626-03 | Nipple | Raccord | 3 | |



| Issue | Month | Year |
|-------|-------|------|
| 04 | 06 | 09 |

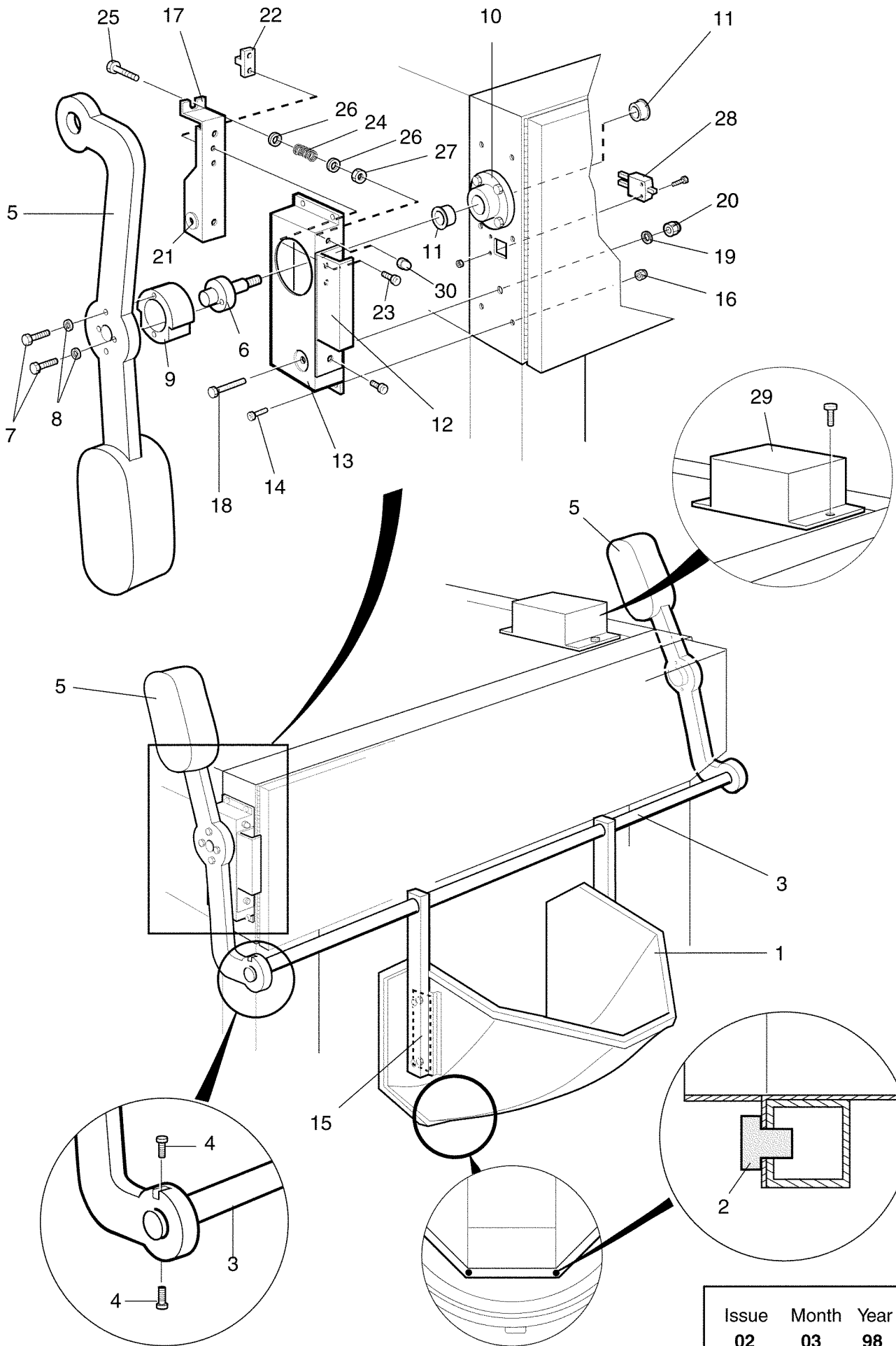
EX-100c 98/1000-

Tilt, forward and forward/backward

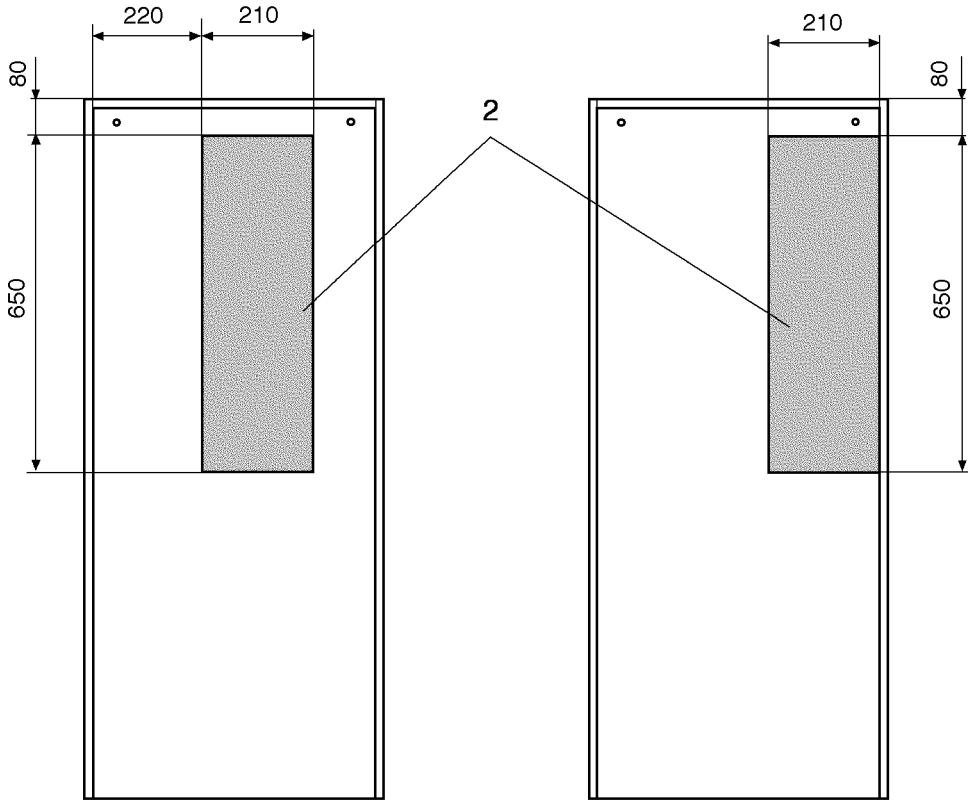
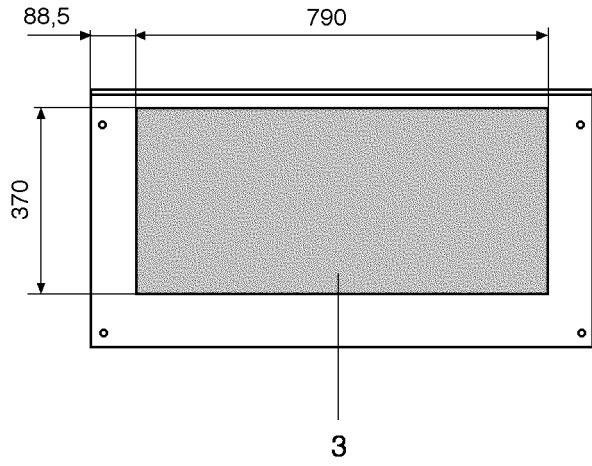
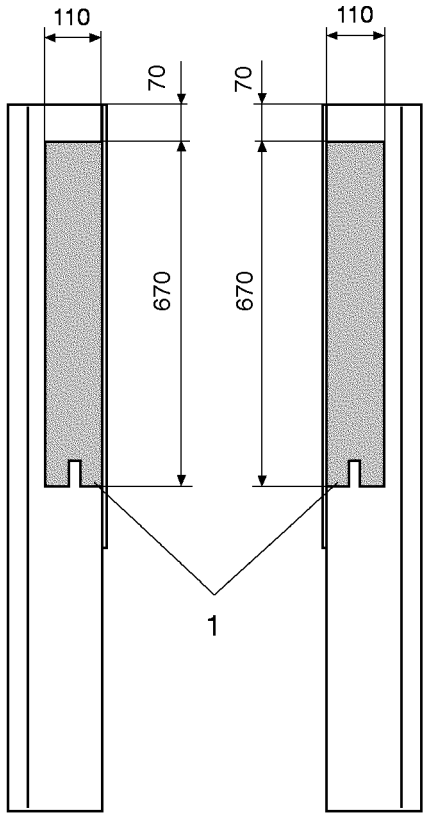
Basculement, avant et avant/arrière

Illustration Issue Month Year
Schéma Issue Month Year
101620/3 4 10 2000

| Item Article | Qua. Qua. | Art.No Réf. article | Description | Description | Info Info | Notes Remarques |
|-----------------|--------------|------------------------|---------------------|-------------------------------|--------------|-----------------------------|
| 1 | RQ | 471 4207-01 | Plate | Tableau | 3 | |
| 2 | RQ | 471 8271-02 | Cylinder | Cylindre | 1 | |
| 3 | RQ | 471 8690-22 | Angle connector | Raccord d'angle | 1 | 6/4 |
| 4 | 4 | 472 6818-03 | Foot | Pied | 3 | |
| 5 | RQ | 471 4005-62 | Mounting plate | Plaque de montage | 3 | |
| 6 | 1 | 471 8796-01 | Control for tilting | Bouton-poussoir | 1 | 3-button |
| 7 | 1 | 432 0178-01 | Bracket | Pièce de retenue | 3 | |
| 8 | | | | | | Not used |
| 9 | | | | | | Not used |
| 10 | RQ | 472 7286-01 | Beam | Poutre | 3 | |
| 11 | 1 | 472 9388-04 | Door locking device | Dispositif fermeture de porte | 3 | |
| 12 | RQ | 438 4516-01 | Pressure sensor | Capteur de pression | 1 | |
| 13 | RQ | 471 8229-01 | Valve | Electrovanne | 1,2 | 50Hz |
| | RQ | 471 8229-02 | Valve | Electrovanne | 1,2 | 60Hz |
| 14 | RQ | 471 8690-61 | Y-pipe | Collecteur | 3 | |
| 15 | RQ | 471 8690-22 | Angle connector | Raccord d'angle | 1 | 6/4 |
| 16 | RQ | 471 8626-03 | Nipple | Raccord | 1 | |
| 17 | RQ | 438 8102-04 | Hose | Flexible | 1 | PER 5M |
| 18 | 2 | 472 9214-02 | Plate | Plaque | 3 | |
| 19 | 2 | 432 0060-01 | Side cover | Protection latérale | 3 | |
| 20 | 1 | 432 0061-01 | Front panel | Panneau avant | 3 | |
| 21 | 4 | 432 0062-01 | Pillar | Montant | 3 | |
| 22 | 2 | 471 8196-01 | Plug | Fiche | 3 | |
| 23 | 2 | 472 9209-01 | Pin | Goupille | 3 | |
| 24 | 2 | 432 0063-01 | Catch | Dispositif blocage | 3 | |
| 25 | 2 | 471 8280-02 | Valve | Electrovanne | 1,2 | FORWARD/BACKWARD TILTING |
| 26 | 4 | 471 8690-32 | Connection | Embrayage | 1 | FORWARD/BACKWARD TILTING |
| 27 | 2 | 438 4899-01 | Bracket | Pièce de retenue | 3 | FORWARD/BACKWARD TILTING |
| 28 | 1 | 762 1152-10 | Grommet | Oeillet | 3 | |
| 29 | RQ | 471 9202-32 | Solenoid valve | Electrovanne | 1,2 | 50Hz |
| | RQ | 471 9202-33 | Solenoid valve | Electrovanne | 1,2 | 60Hz |
| 30 | 1 | 471 8275-50 | Angle | Coude | 3 | |
| 31 | 1 | 471 8275-01 | Regulator | Régulateur | 3 | |
| 32 | 1 | 471 8690-22 | Angle connector | Raccord d'angle | 1 | 6/4 |
| 33 | 1 | 471 8690-31 | Connection | Embrayage | 1 | |
| 34 | 1 | 438 7300-11 | Cables | Câble | 3 | |
| 35 | 3 | 432 0114-01 | Plate | Plaque | 3 | |
| 36 | 9 | 471 8641-01 | Plug | Fiche | 3 | |
| 37 | RQ | 741 4102-20 | Bushing | Douille | 3 | |
| 38 | RQ | 740 4206-00 | O-ring | Joint torique | 3 | |
| 39 | RQ | 471 8690-71 | Connection | Embrayage | 3 | |
| 40 | RQ | 471 8626-03 | Nipple | Raccord | 3 | |



| EX-100c | | | | | | | |
|-----------------|--------------|------------------------|-----------------|---------------------|--------------|--------------------|-------------|
| Funnel | | | | Illustration | Issue | Month | Year |
| Cône | | | | Schéma | Issue | Month | Year |
| | | | | 101463 | 3 | 10 | 2000 |
| Item Article | Qua. Qua. | Art.No Réf. article | Description | Description | Info Info | Notes Remarques | |
| 1 | 1 | 472 7278-02 | Loading hopper | Dispositif | 3 | | |
| 2 | 2 | 471 8641-01 | Plug | Fiche | 3 | | |
| 3 | 1 | 432 0091-01 | Shaft | Arbre | 3 | | |
| 4 | 4 | 725 5453-01 | Screw | Vis | 3 | MC6S 8X25 | |
| 5 | 2 | 432 0095-01 | Arm | Bras | 3 | | |
| | 2 | 432 0095-02 | Arm | Bras | 3 | Silver | |
| 6 | 2 | 432 0078-01 | Shaft | Arbre | 3 | | |
| 7 | 6 | 725 2455-51 | Screw | Vis | 3 | M8X30 | |
| 8 | 6 | 734 1164-01 | Washer | Rondelle | 3 | 8,4X17 | |
| 9 | 1 | 432 0086-01 | Catch | Dispositif blocage | 3 | | |
| 10 | 2 | 432 0079-01 | Bearing housing | Logement de palier | 3 | | |
| 11 | 4 | 471 9228-98 | Bearing | Coussinet | 3 | | |
| 12 | 1 | 432 0077-01 | Handle | Poignée | 3 | | |
| | 1 | 432 0077-02 | Handle | Poignée | 3 | Silver | |
| 13 | 1 | 432 0075-01 | Cover | Couvercle | 3 | | |
| | 1 | 432 0075-02 | Cover | Couvercle | 3 | Silver | |
| 14 | 4 | 471 8341-46 | Screw | Vis | 3 | MRT6X16 | |
| 15 | 2 | 432 0090-01 | Washer | Rondelle | 3 | | |
| 16 | 4 | 732 2116-01 | Locking nut | Contre-écrou | 3 | M6 | |
| 17 | 1 | 432 0076-01 | Mounting plate | Plaque de montage | 3 | | |
| 18 | 1 | 725 2463-51 | Screw | Vis | 3 | M8X60 | |
| 19 | 1 | 734 1164-01 | Washer | Rondelle | 3 | 8,4X17 | |
| 20 | 1 | 732 2118-01 | Locking nut | Contre-écrou | 3 | M8 | |
| 21 | 2 | 432 0037-01 | Guide | Guide | 3 | | |
| 22 | 1 | 432 0080-01 | Catch | Dispositif blocage | 3 | | |
| 23 | 2 | 471 8341-44 | Screw | Vis | 3 | MRT 6X12 | |
| 24 | 1 | 471 7803-25 | Pressure spring | Ressort de pression | 3 | | |
| 25 | 1 | 725 2378-51 | Screw | Vis | 3 | M6X40 | |
| 26 | 3 | 734 1153-01 | Washer | Rondelle | 3 | BRB 6,4X12 | |
| 27 | 1 | 731 2316-01 | Nut | Écrou | 3 | M6 | |
| 28 | 1 | 471 9654-03 | Microswitch | Microrupteur | 1,2 | | |
| | 1 | 471 9625-03 | Microswitch | Microrupteur | 1,2 | CLARUS CONTROL | |
| 29 | 1 | 432 0092-01 | Stop | Butoir | 3 | | |
| 30 | 1 | 732 3116-14 | Nut | Écrou | 3 | M6 | |



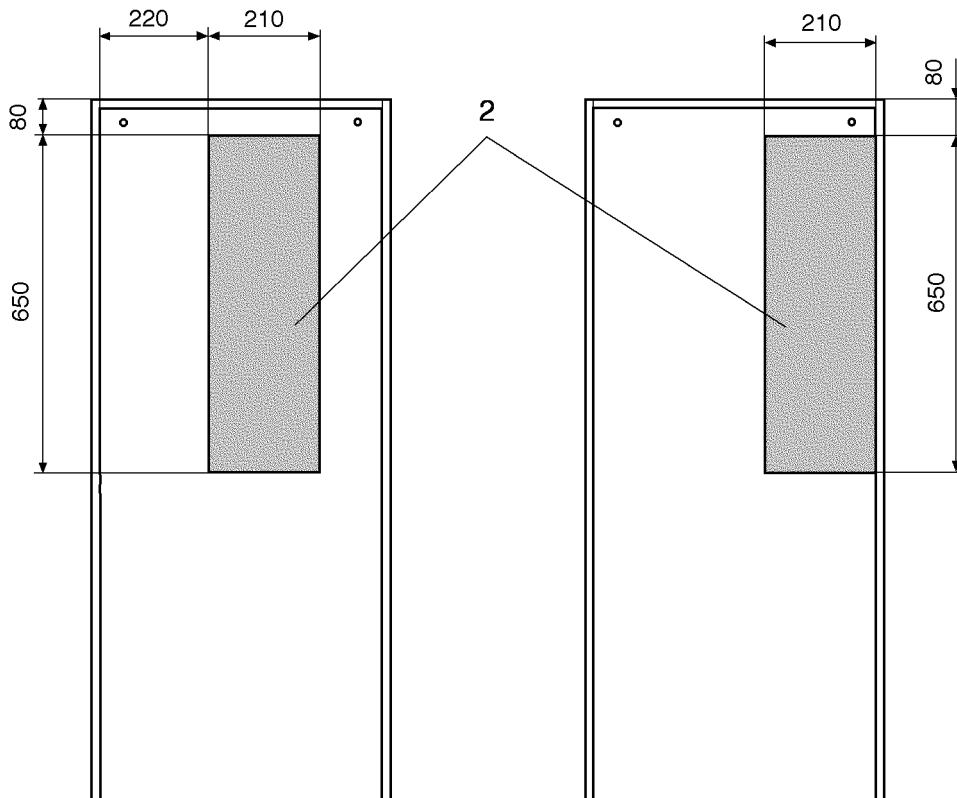
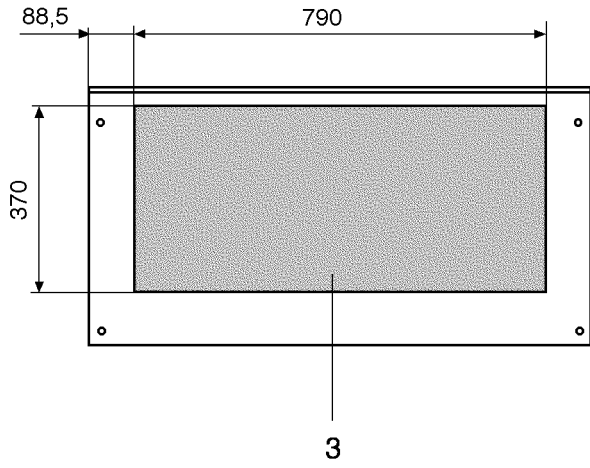
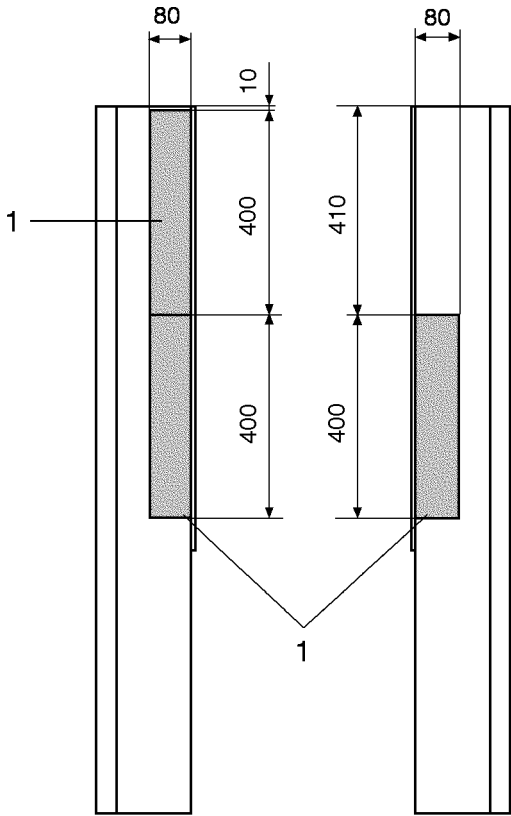
EX-100c -98/999

Insulation

Isolation

| | | | |
|---------------|----------|-----------|-------------|
| Illustration | Issue | Month | Year |
| Schéma | Issue | Month | Year |
| 101473 | 2 | 10 | 2000 |

| Item Article | Qua. Qua. | Art.No Réf. article | Description | Description | Info Info | Notes Remarques |
|-----------------|--------------|------------------------|--------------------|-------------------------|--------------|--------------------|
| 1 | 2 | 471 7571-13 | Shock absorber mat | Tapis amortisseur chocs | 3 | |
| 2 | 2 | 471 7571-14 | Shock absorber mat | Tapis amortisseur chocs | 3 | |
| 3 | 1 | 471 7571-02 | Shock absorber mat | Tapis amortisseur chocs | 3 | |



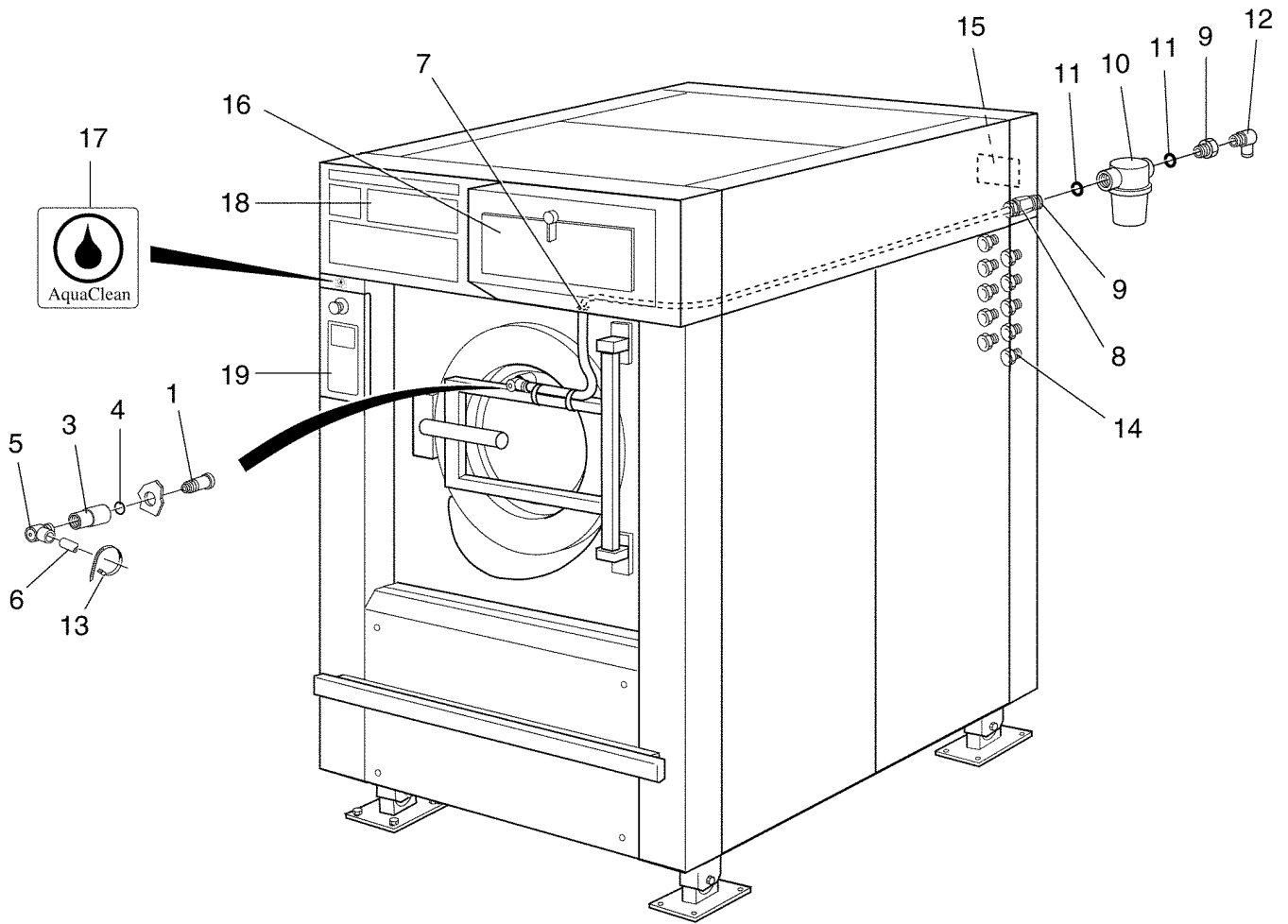
EX-100c 98/1000-

Insulation

Isolation

| | | | |
|---------------|----------|-----------|-------------|
| Illustration | Issue | Month | Year |
| Schéma | Issue | Month | Year |
| 101621 | 2 | 10 | 2000 |

| Item Article | Qua. Qua. | Art.No Réf. article | Description | Description | Info Info | Notes Remarques |
|-----------------|--------------|------------------------|--------------------|-------------------------|--------------|--------------------|
| 1 | 3 | 471 7571-15 | Shock absorber mat | Tapis amortisseur chocs | 3 | |
| 2 | 2 | 471 7571-14 | Shock absorber mat | Tapis amortisseur chocs | 3 | |
| 3 | 1 | 471 7571-02 | Shock absorber mat | Tapis amortisseur chocs | 3 | |



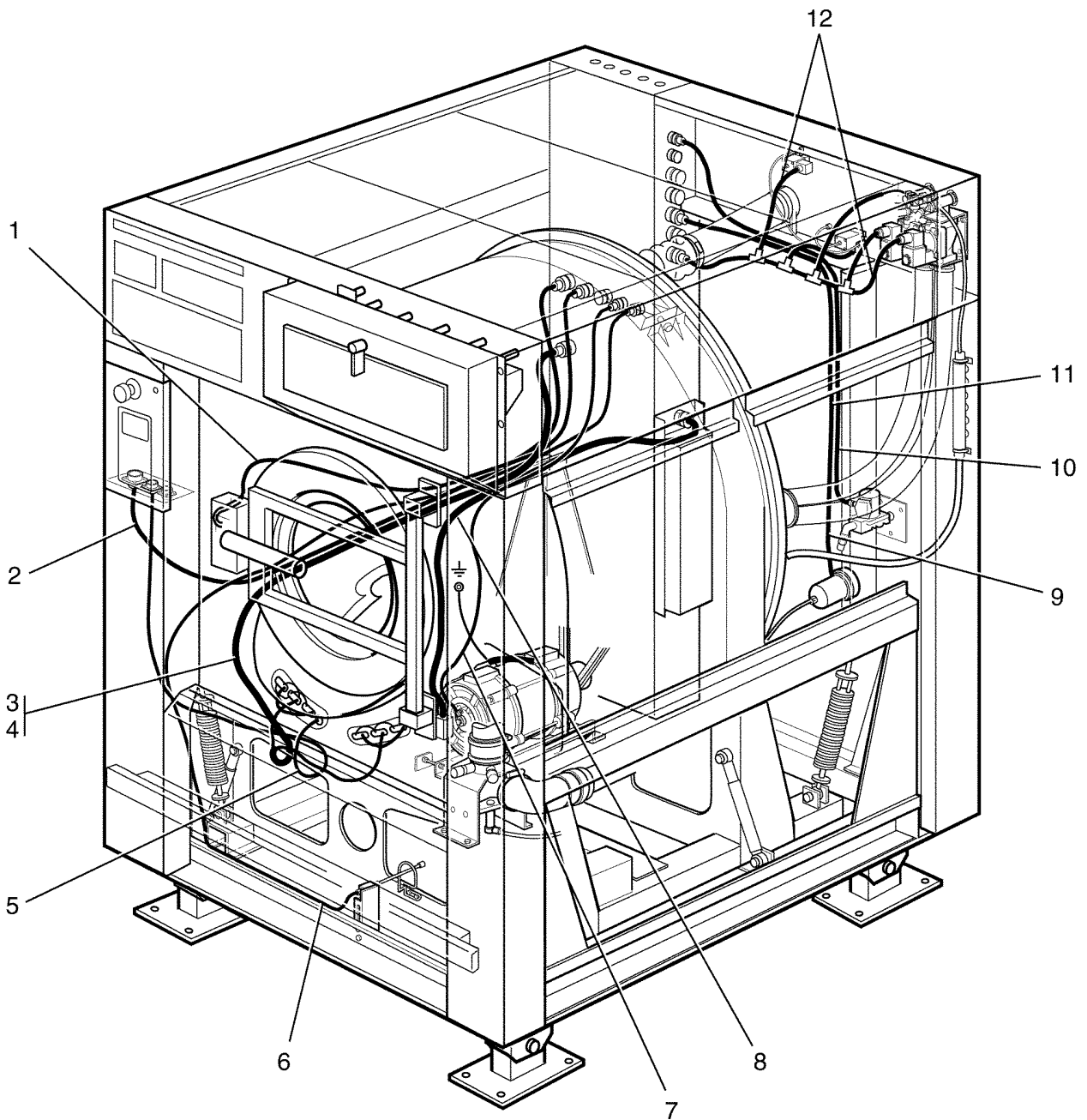
EX-100c

Spray components

Composants vaporisateur

Illustration Issue Month Year
Schéma Issue Month Year
101480 2 4 1998

| Item Article | Qua. Qua. | Art.No Réf. article | Description | Description | Info Info | Notes Remarques |
|-----------------|--------------|------------------------|-----------------|--------------------------|--------------|--------------------|
| 1 | 1 | 471 9883-02 | Nozzle | Tuyère | 1,2 | |
| 2 | | | | | | Not used |
| 3 | 1 | 471 9884-01 | Muff | Tubulure | 3 | |
| 4 | 1 | 740 4209-00 | O-ring | Joint torique | 1 | |
| 5 | 1 | 471 8690-21 | Angle connector | Raccord d'angle | 3 | 8/6 |
| 6 | 1 | 471 8143-01 | Tube | Tube | 1,2 | L=3000 |
| 7 | 2 | 762 1116-10 | Grommet | Oeillet | 3 | |
| 8 | 1 | 471 8688-14 | Nipple | Raccord | 3 | |
| 9 | 2 | 471 8636-20 | Nipple | Raccord | 3 | |
| 10 | 1 | 438 4125-01 | Filter | Filtre | 1 | |
| 11 | 2 | 740 4811-03 | O-ring | Joint torique | 1 | |
| 12 | 1 | 471 8690-28 | Angle connector | Raccord d'angle | 3 | |
| 13 | 2 | 471 7873-01 | Cable tie | Collier de serrage | 3 | |
| 14 | 10 | 471 8682-06 | Hose nipple | Mamelon de flexible | 3 | |
| 15 | 1 | 471 4672-08 | Sign | Signe | 3 | SPRAY CONNECTION |
| 16 | 1 | 438 6610-47 | Supply injector | Injecteur d'alimentation | 3 | 50Hz Complete |
| | 1 | 438 6610-48 | Supply injector | Injecteur d'alimentation | 3 | 60Hz Complete |
| 17 | 1 | 471 4672-16 | Sign | Signe | 3 | Aqua clean |
| 18 | 1 | 471 7762-01 | Sign | Signe | 3 | SWITCHES |
| 19 | | | | | | |



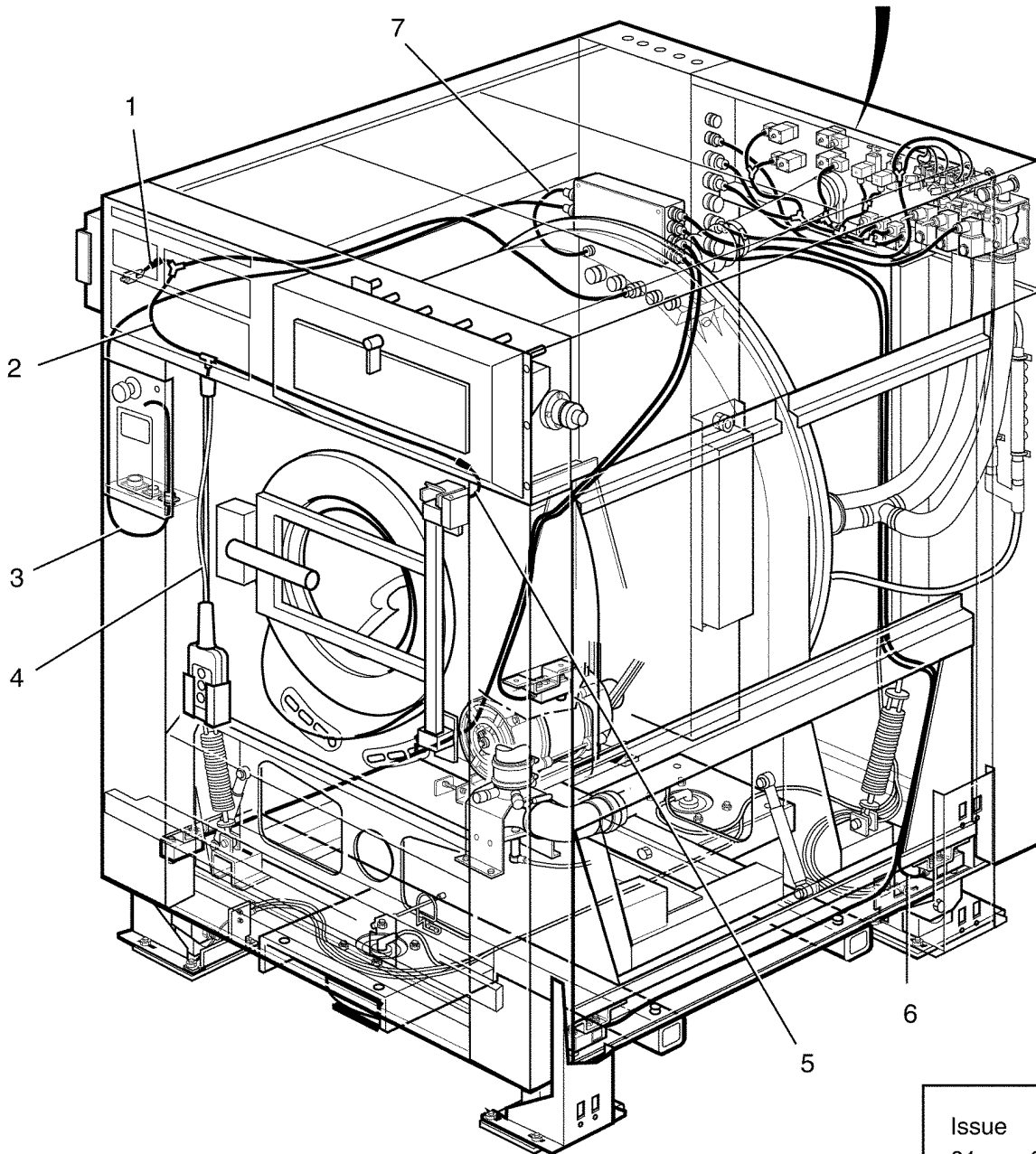
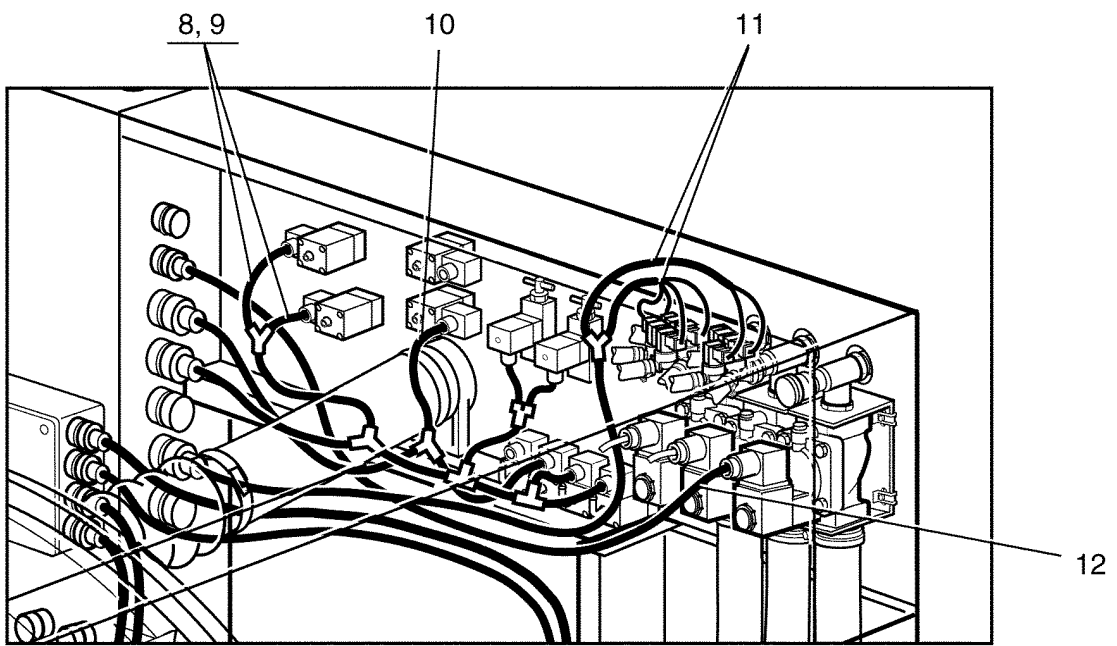
EX-100c

Cables

Câble

Illustration Issue Month Year
Schéma Issue Month Year
101683/1 1 3 1999

| Item Article | Qua. Qua. | Art.No Réf. article | Description | Description | Info Info | Notes Remarques |
|-----------------|--------------|------------------------|---------------|------------------|--------------|-------------------------------------|
| 1 | 1 | 438 7300-44 | Cables | Câble | 3 | Door lock X101-X101.1 |
| 2 | 1 | 438 7300-41 | Cable set | Jeu de câbles | 3 | X100-X200 |
| 3 | 1 | 438 7300-63 | Cables | Câble | 3 | Heating 400V |
| 4 | 1 | 438 7300-64 | Cables | Câble | 3 | Heating 230V |
| 5 | 1 | 438 7300-42 | Cable set | Jeu de câbles | 3 | Sensor, temp. X201-R1 |
| 6 | 1 | 438 7300-85 | Cables | Câble | 3 | Out of balance switch X104-S9 |
| 7 | 1 | 438 7300-72 | Speed control | Contrôle vitesse | 3 | X103-B41 |
| 8 | 1 | 438 7300-27 | Cables | Câble | 3 | Motor |
| 9 | 1 | 438 7300-69 | Cables | Câble | 3 | Oil pump X107.1-E20 |
| 10 | 1 | 438 7300-71 | Cable set | Jeu de câbles | 3 | Steam X111-Y51 |
| 11 | 1 | 438 7300-73 | Cables | Câble | 3 | Sensor, oil lubrication X107-X107.1 |
| 12 | 1 | 438 7300-70 | Cables | Câble | 3 | Inlet valves-Drain valve X105 |



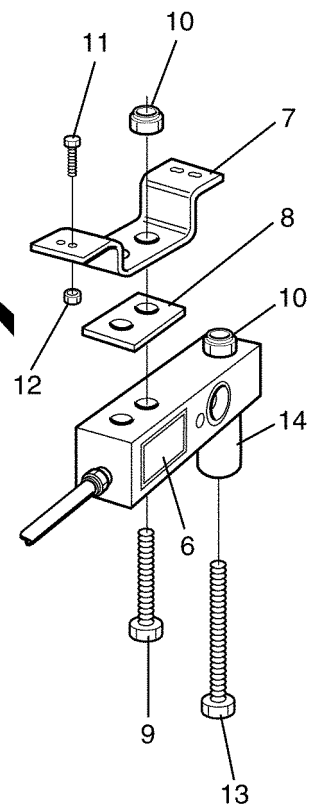
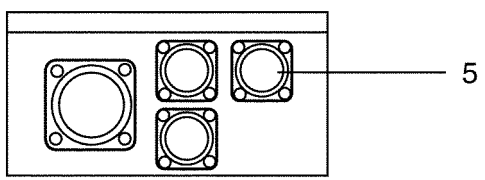
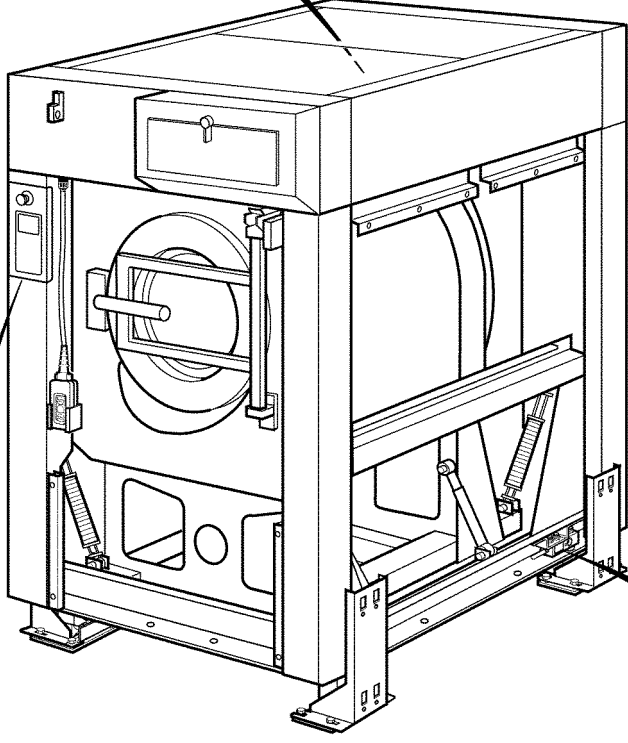
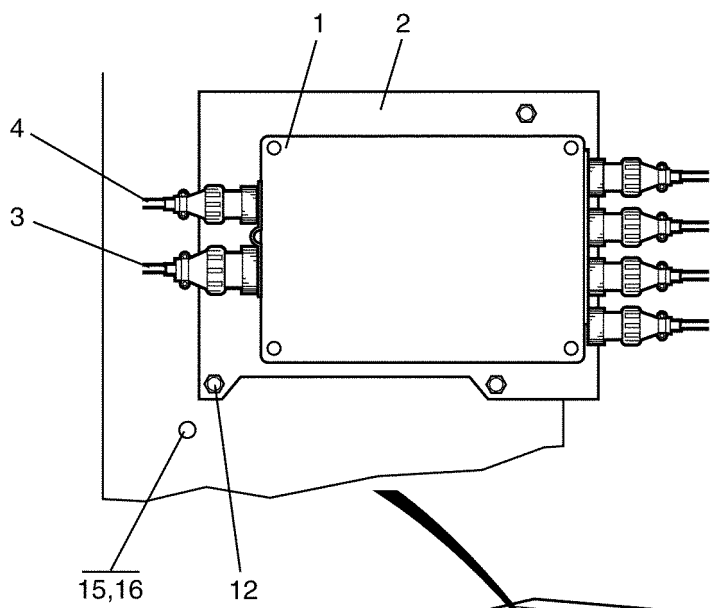
EX-100c

Kablage Option

Kablage Option

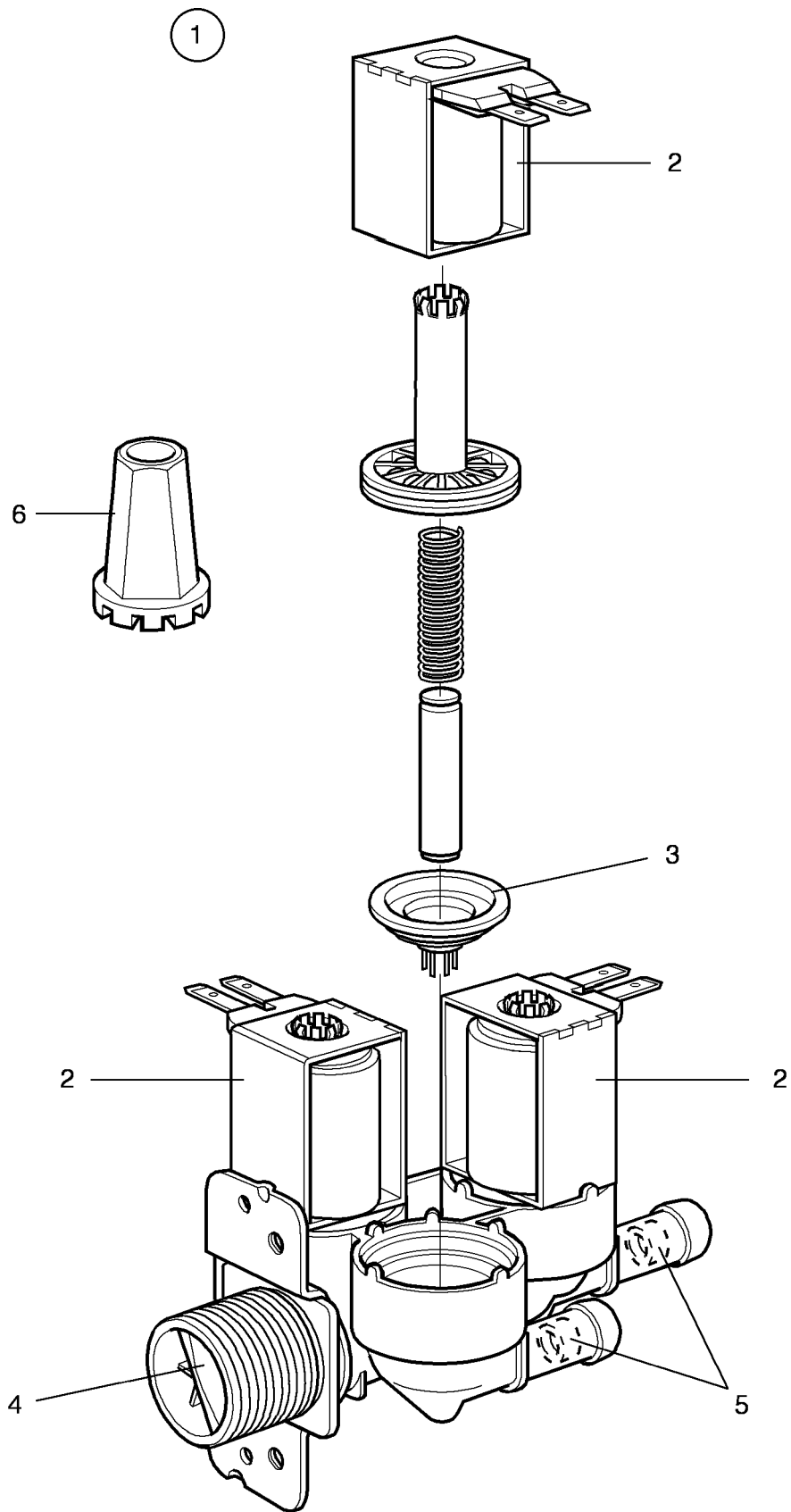
Illustration Issue Month Year
Schéma Issue Month Year
101684/1 1 3 1999

| Item Article | Qua. Qua. | Art.No Réf. article | Description | Description | Info Info | Notes Remarques |
|-----------------|--------------|------------------------|---------------------|-----------------|--------------|--|
| 1 | 1 | 438 7300-49 | Cables | Câble | 3 | Sensor, Hopper X102.3-S29 |
| 2 | 1 | 438 7300-47 | Cables | Câble | 3 | X102-X102.1, X102.2, X102.3 |
| 3 | 1 | 471 8822-22 | Cable | Câble | 3 | Signal X202-X401 |
| 4 | 1 | 471 8796-01 | Control for tilting | Bouton-poussoir | 3 | 3-button |
| 5 | 1 | 438 7300-48 | Cable set | Jeu de câbles | 3 | Sensor, dor lock incl. microswitch X102.2-S28A, S28B |
| 6 | 1 | 471 8822-11 | Load cell | Load cell | 1,2 | With cablage |
| 7 | 1 | 471 8822-21 | Cable | Câble | 3 | Voltage |
| 8 | 1 | 438 7300-76 | Cables | Câble | 3 | Tilting forward X108 |
| 9 | 1 | 438 7300-77 | Cables | Câble | 3 | Tilting forward/backward X108 |
| 10 | 1 | 438 7300-74 | Cables | Câble | 3 | Water reuse X109 |
| 11 | 1 | 438 7300-75 | Cables | Câble | 3 | Soap box X106 |
| 12 | 1 | 438 7300-78 | Cables | Câble | 3 | Cold hard water X110 |



| Issue | Month | Year |
|-------|-------|------|
| 05 | 08 | 99 |

| EX-100c | | | | | | | |
|-------------------------|--------------|------------------------|-----------------|---------------------|--------------|--------------------|-------------|
| Weighing device | | | | Illustration | Issue | Month | Year |
| Unité de balance | | | | Schéma | Issue | Month | Year |
| | | | | 101665/1 | 3 | 3 | 2004 |
| Item Article | Qua. Qua. | Art.No Réf. article | Description | Description | Info Info | Notes Remarques | |
| 1 | 1 | 471 8822-01 | Weighing device | Unité de balance | 1 | RS 232 interface | |
| 2 | 1 | 432 0468-01 | Mounting plate | Plaque de montage | 3 | | |
| 3 | 1 | 471 8822-22 | Cable | Câble | 1 | Signal | |
| 4 | 1 | 471 8822-21 | Cable | Câble | 1 | Voltage | |
| 5 | 1 | 438 7300-83 | Cable | Câble | 1 | | |
| 6 | 4 | 471 8822-11 | Load cell | Load cell | 1 | With cablage | |
| | 4 | 471 8822-12 | Load cell | Load cell | 1 | With cablage | |
| 7 | 4 | 432 0459-01 | Bracket | Support de montage | 3 | | |
| 8 | 4 | 432 0469-01 | Spacer washer | Rondelle écartement | 3 | | |
| 9 | 8 | 725 2544-51 | Screw | Vis | 3 | M12X60 | |
| 10 | 12 | 732 2122-01 | Locking nut | Contre-écrou | 3 | M12 | |
| 11 | 12 | 725 2453-51 | Screw | Vis | 3 | M8X25 | |
| 12 | 15 | 732 2118-01 | Locking nut | Contre-écrou | 3 | M8 | |
| 13 | 4 | 725 2548-71 | Screw | Vis | 3 | 12x80 | |
| 14 | 4 | 432 0470-01 | Spacer | Entretoise | 3 | | |
| 15 | 1 | 471 8780-01 | Screw fitting | Vis de raccord | 3 | 15,2 | |
| 16 | 1 | 471 8780-31 | Nut | Écrou | 3 | 15 | |



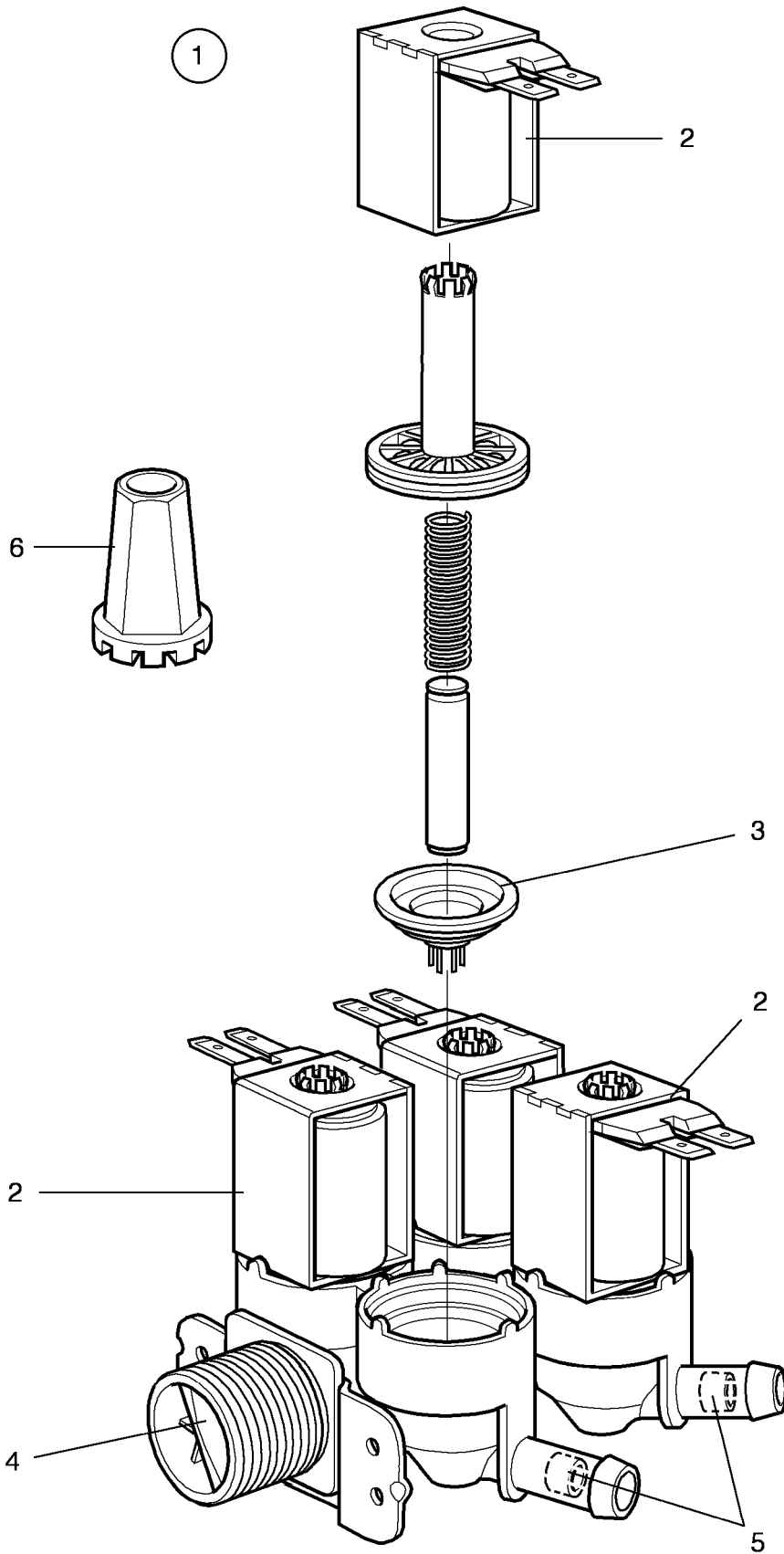
EX-100c

Inlet valve 3/4", 3-way

Soupape de admission 3/4", 3 voies

Illustration Issue Month Year
Schéma Issue Month Year
100046/3 4 9 1995

| Item Article | Qua. Qua. | Art.No Réf. article | Description | Description | Info Info | Notes Remarques |
|-----------------|--------------|------------------------|--------------------|---------------------|--------------|--|
| 1 | 1 | 471 8236-01 | Valve | Electrovanne | 1,2 | 208-240V 50Hz 3-way NITRIL COMPL. RESTRICTION 20/20/20L/MIN |
| | 1 | 471 8236-07 | Valve | Electrovanne | 1,2 | 60Hz 3-way NITRIL COMPL. RESTRICTION 20/20/20L/MIN |
| | 1 | 471 8236-02 | Valve | Electrovanne | 1,2 | 208-240V 50Hz 3-way NITRIL COMPL. RESTRICTION 5,5/20/20L/MIN |
| | 1 | 471 8236-08 | Valve | Electrovanne | 1,2 | 60Hz 3-way NITRIL COMPL. RESTRICTION 5,5/20/20L/MIN |
| | 1 | 471 8236-09 | Valve | Electrovanne | 1,2 | EPDM 208-240V 50Hz 3-way Complete RESTRICTION 5,5/20/20L/MIN |
| | 1 | 471 8236-03 | Valve | Electrovanne | 1,2 | EPDM 208-240V 60Hz 3-way USA COMPL. RESTRICTION 5,5/20/20L/MIN |
| | 1 | 471 8236-04 | Valve | Electrovanne | 1,2 | 120V 60Hz 3-way USA COMPL. RESTRICTION 5,5/20/20L/MIN |
| | 1 | 471 8236-05 | Valve | Electrovanne | 1,2 | EPDM 208-240V 60Hz 3-way USA COMPL. RESTRICTION 20/20/20L/MIN |
| | 1 | 471 8236-06 | Valve | Electrovanne | 1,2 | EPDM 120V 60Hz USA COMPL. RESTRICTION 20/20/20L/MIN |
| | 1 | 471 8236-12 | Valve | Electrovanne | 1,2 | 208-240V 50Hz 3-way NITRIL COMPL. RESTRICTION 5,5/20/2,5L/MIN |
| | 1 | 471 8236-13 | Valve | Electrovanne | 1,2 | EDPM 208-240V 60Hz 3-way Complete RESTRICTION 5,5/20/2,5L/MIN |
| | 1 | 471 8236-14 | Valve | Electrovanne | 1,2 | 208-240V 50Hz Complete Restriction 5/5/-l/min |
| | 1 | 471 8236-15 | Valve | Electrovanne | 1,2 | 208-240V 60Hz |
| | 2 | 3 | 471 6696-37 | •Coil | •Bobine | 1,2 |
| 3 | | 471 6696-33 | •Coil | •Bobine | 1,2 | 208-240V 60Hz |
| 3 | | 471 6696-71 | •Coil | •Bobine | 1,2 | 120V 50Hz |
| 3 | 3 | 471 6696-32 | •Coil | •Bobine | 1,2 | 120V 60Hz |
| | 3 | 471 8234-98 | •Diaphragm | •Diaphragme | 1,2 | NITRIL |
| 4 | 3 | 471 8234-92 | •Diaphragm | •Diaphragme | 1,2 | EPDM |
| | 1 | 471 8234-94 | •Filter | •Filtre | 1 | |
| 5 | 1 | 471 8234-95 | •Restrictor | •Réducteur de débit | 1 | 2,5l/min |
| | 1 | 471 8234-96 | •Restrictor | •Réducteur de débit | 1 | 5,5l/min |
| 6 | 1 | 471 8234-97 | •Restrictor | •Réducteur de débit | 1 | 10l/min |
| | 1 | 471 4792-01 | Tool | Outil | 1 | |



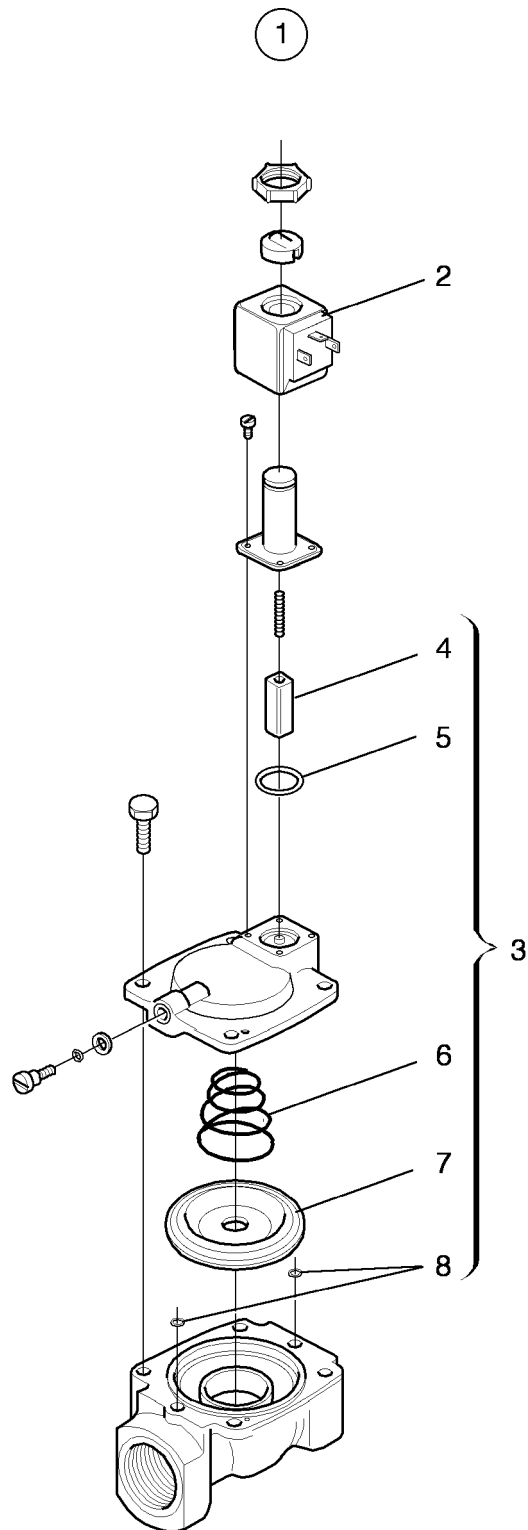
EX-100c

Inlet valve 3/4", 4-way

Soupape de admission 3/4", 4 voies

Illustration Issue Month Year
Schéma Issue Month Year
100515 5 9 2002

| Item Article | Qua. Qua. | Art.No Réf. article | Description | Description | Info Info | Notes Remarques |
|-----------------|--------------|------------------------|-------------|---------------------|--------------|--|
| 1 | 1 | 471 8240-01 | Valve | Electrovanne | 1,2 | 208-240V 50Hz COMPL. 4-WAY RESTRICTION 20/20/5/20L/MIN |
| | 1 | 471 8240-02 | Valve | Electrovanne | 1,2 | 208-240V 60Hz COMPL. 4-WAY RESTRICTION 20/20/5/20L/MIN |
| | 1 | 471 8240-03 | Valve | Electrovanne | 1,2 | 471 1766-01 COMPL.4-WAY 208-240V 50Hz RESTRICTION 20/20/5/25L/MIN |
| | 1 | 471 8240-04 | Valve | Electrovanne | 1,2 | 208-240V 60Hz 471 1766-02 RESTIRCTION 20/20/5/2, 5L/MIN |
| | 1 | 471 8240-61 | Valve | Electrovanne | 1,2 | 4-way, 208-240V 50/60Hz, BSP |
| | 1 | 471 8240-62 | Valve | Electrovanne | 1,2 | 60Hz |
| 2 | 4 | 471 6696-37 | •Coil | •Bobine | 1,2 | 208-240V 50Hz |
| | 4 | 471 6696-33 | •Coil | •Bobine | 1,2 | 208-240V 60Hz |
| 3 | 4 | 471 8234-92 | •Diaphragm | •Diaphragme | 1,2 | EPDM |
| 4 | 1 | 471 8234-94 | •Filter | •Filtre | 1 | |
| 5 | 1 | 471 8234-95 | •Restrictor | •Réducteur de débit | 1 | 2,5l/min |
| | 1 | 471 8234-96 | •Restrictor | •Réducteur de débit | 1 | 5,5l/min |
| | 1 | 471 8234-97 | •Restrictor | •Réducteur de débit | 1 | 10l/min |
| 6 | 1 | 471 4792-01 | Tool | Outil | 1 | |



EX-100c

Inlet valve 1/2", 3/4", 1", 1 1/4", 2"

Soupape de admission 1/2", 3/4", 1", 1 1/4", 2"

Illustration Issue Month Year
Schéma Issue Month Year
100568 4 3 2003

| Item Article | Qua. Qua. | Art.No Réf. article | Description | Description | Info Info | Notes Remarques | |
|-----------------|--------------|------------------------|--------------------|---------------------------|---------------------------|-----------------------------|--------------------|
| 1 | 1 | 471 8210-02 | Valve | Electrovanne | 1,2 | 1/2" 220-240V 50Hz Complete | |
| | 1 | 471 8210-01 | Valve | Soupape | 1,2 | 1/2" 208-230V 60Hz Complete | |
| | 1 | 471 8210-03 | Valve | Electrovanne | 1,2 | 1/2" 115V 60Hz Complete | |
| | 1 | 471 8210-12 | Valve | Electrovanne | 1,2 | 3/4" 220-240V 50Hz Complete | |
| | 1 | 471 8210-11 | Valve | Electrovanne | 1,2 | 3/4" 208-230V 60Hz Complete | |
| | 1 | 471 8210-22 | Valve | Electrovanne | 1,2 | 1" 220-240V 50Hz Complete | |
| | 1 | 471 8210-21 | Valve | Electrovanne | 1,2 | 1" 208-230V 60Hz Complete | |
| | 1 | 471 8210-32 | Valve | Electrovanne | 1,2 | 1 1/4" 50Hz Complete | |
| | 1 | 471 8210-31 | Valve | Electrovanne | 1,2 | 1 1/4" 60Hz Complete | |
| | 1 | 471 8210-52 | Valve | Electrovanne | 1,2 | 2", 50Hz Complete | |
| | 1 | 471 8210-51 | Valve | Electrovanne | 1,2 | 2", 60Hz Complete | |
| | 2 | 1 | 471 6657-15 | •Coil | •Bobine | 1,2 | 50Hz 220-240V 50Hz |
| | | 1 | 471 6657-16 | •Coil | •Bobine | 1,2 | 60Hz |
| | | 1 | 471 6657-17 | •Coil | •Bobine | 1,2 | 115V 60Hz |
| | 3 | 1 | 471 6657-18 | •Repair kit | •Kit de reconditionnement | 1,2 | 1/2" |
| 1 | | 471 6657-19 | •Repair kit | •Kit de reconditionnement | 1,2 | 3/4" | |
| 1 | | 471 6657-20 | •Repair kit | •Kit de reconditionnement | 1,2 | 1" | |
| 1 | | 471 6657-21 | •Repair kit | •Kit de reconditionnement | 1,2 | 1 1/4" | |
| 4 | 1 | 471 6695-95 | •Repair kit | •Kit de reconditionnement | 1,2 | 2" | |
| | 4 | | •Plunger | •Bobine mobile | | | |
| | 5 | | •O-ring | •Joint torique | | | |
| | 6 | | •Spring | •Ressort | | | |
| 7 | | •Diaphragm | •Diaphragme | | | | |
| 8 | | •O-ring | •Joint torique | | | | |

Numerical index/Numerical index

| Art.No/Réf. article | Page/Page | Art.No/Réf. article | Page/Page | Art.No/Réf. article | Page/Page | Art.No/Réf. article | Page/Page |
|---------------------|-----------|---------------------|-----------|---------------------|-----------|---------------------|-----------|
| 432 0005-01 | 11 | 432 0081-01 | 13 | 432 0457-01 | 45 | 438 4929-03 | 9 |
| 432 0008-01 | 11 | 432 0083-01 | 13 | 432 0459-01 | 89 | 438 4930-01 | 7 |
| 432 0010-01 | 11 | 432 0085-01 | 43 | 432 0464-01 | 55 | 438 4930-01 | 9 |
| 432 0015-01 | 43 | 432 0086-01 | 77 | 432 0465-03 | 55 | 438 4930-02 | 9 |
| 432 0016-01 | 43 | 432 0090-01 | 77 | 432 0468-01 | 89 | 438 4930-03 | 9 |
| 432 0017-01 | 11 | 432 0091-01 | 77 | 432 0469-01 | 89 | 438 4930-04 | 9 |
| 432 0019-01 | 11 | 432 0092-01 | 77 | 432 0470-01 | 89 | 438 4930-05 | 9 |
| 432 0021-01 | 11 | 432 0095-01 | 77 | 432 0473-01 | 55 | 438 4931-01 | 7 |
| 432 0022-01 | 43 | 432 0095-02 | 77 | 432 0476-01 | 69 | 438 4931-01 | 9 |
| 432 0023-01 | 11 | 432 0102-01 | 11 | 432 0477-01 | 69 | 438 4931-02 | 9 |
| 432 0028-01 | 33 | 432 0113-01 | 33 | 432 0800-01 | 31 | 438 4931-03 | 9 |
| 432 0028-01 | 35 | 432 0113-01 | 35 | 432 0800-02 | 31 | 438 4937-01 | 21 |
| 432 0029-01 | 33 | 432 0113-02 | 33 | 432 0800-03 | 31 | 438 4941-01 | 7 |
| 432 0029-01 | 35 | 432 0113-02 | 35 | 432 0800-04 | 31 | 438 4942-01 | 7 |
| 432 0030-01 | 13 | 432 0114-01 | 73 | 432 0800-05 | 31 | 438 4942-01 | 9 |
| 432 0031-01 | 13 | 432 0114-01 | 75 | 432 0800-06 | 31 | 438 4942-02 | 9 |
| 432 0032-01 | 49 | 432 0118-01 | 9 | 432 0800-07 | 31 | 438 4943-01 | 25 |
| 432 0032-01 | 51 | 432 0118-02 | 9 | 432 0800-08 | 31 | 438 4946-01 | 21 |
| 432 0034-01 | 33 | 432 0131-02 | 27 | 432 0800-09 | 31 | 438 4947-01 | 19 |
| 432 0034-01 | 35 | 432 0131-03 | 27 | 432 0800-10 | 31 | 438 4948-01 | 21 |
| 432 0034-02 | 33 | 432 0132-01 | 9 | 432 0800-11 | 31 | 438 4949-01 | 25 |
| 432 0034-02 | 35 | 432 0133-01 | 9 | 432 0800-12 | 31 | 438 4951-01 | 53 |
| 432 0035-01 | 57 | 432 0134-01 | 9 | 432 0800-13 | 31 | 438 4958-01 | 21 |
| 432 0035-01 | 67 | 432 0135-01 | 9 | 432 0800-14 | 31 | 438 4959-01 | 21 |
| 432 0036-01 | 25 | 432 0135-02 | 9 | 432 0800-15 | 31 | 438 4961-01 | 53 |
| 432 0037-01 | 77 | 432 0135-03 | 9 | 432 0800-16 | 31 | 438 4964-01 | 7 |
| 432 0038-01 | 7 | 432 0137-01 | 27 | 432 0800-17 | 31 | 438 4964-01 | 9 |
| 432 0039-01 | 7 | 432 0138-01 | 27 | 438 0127-01 | 63 | 438 4964-02 | 9 |
| 432 0039-02 | 7 | 432 0139-01 | 27 | 438 0127-01 | 65 | 438 4964-03 | 9 |
| 432 0039-02 | 9 | 432 0140-01 | 9 | 438 0145-14 | 63 | 438 4965-01 | 13 |
| 432 0039-02 | 51 | 432 0140-02 | 9 | 438 0145-14 | 65 | 438 4967-10 | 57 |
| 432 0039-03 | 9 | 432 0142-01 | 27 | 438 0268-01 | 23 | 438 4967-10 | 59 |
| 432 0043-01 | 49 | 432 0143-01 | 31 | 438 0299-01 | 27 | 438 4969-01 | 15 |
| 432 0044-01 | 21 | 432 0146-01 | 31 | 438 0363-01 | 15 | 438 4970-01 | 13 |
| 432 0045-01 | 21 | 432 0149-01 | 31 | 438 4125-01 | 83 | 438 4971-01 | 15 |
| 432 0046-01 | 51 | 432 0150-01 | 31 | 438 4381-01 | 45 | 438 4972-01 | 49 |
| 432 0047-01 | 51 | 432 0151-01 | 33 | 438 4511-01 | 13 | 438 4972-01 | 51 |
| 432 0052-01 | 57 | 432 0152-01 | 33 | 438 4516-01 | 73 | 438 4973-01 | 49 |
| 432 0052-01 | 61 | 432 0153-01 | 33 | 438 4516-01 | 75 | 438 4975-01 | 15 |
| 432 0052-10 | 59 | 432 0155-01 | 9 | 438 4541-01 | 55 | 438 4977-01 | 13 |
| 432 0052-10 | 61 | 432 0155-02 | 9 | 438 4542-01 | 15 | 438 4979-01 | 11 |
| 432 0052-11 | 59 | 432 0158-01 | 39 | 438 4832-01 | 33 | 438 4980-01 | 11 |
| 432 0054-01 | 69 | 432 0159-01 | 39 | 438 4832-01 | 35 | 438 4982-01 | 53 |
| 432 0054-02 | 69 | 432 0161-01 | 39 | 438 4886-02 | 37 | 438 4994-01 | 13 |
| 432 0058-01 | 63 | 432 0164-01 | 39 | 438 4893-01 | 41 | 438 4995-01 | 15 |
| 432 0058-01 | 65 | 432 0167-01 | 39 | 438 4894-01 | 41 | 438 4998-02 | 13 |
| 432 0060-01 | 73 | 432 0168-01 | 33 | 438 4895-02 | 41 | 438 4999-01 | 15 |
| 432 0060-01 | 75 | 432 0168-01 | 35 | 438 4896-01 | 41 | 438 6610-47 | 83 |
| 432 0061-01 | 73 | 432 0169-01 | 35 | 438 4899-01 | 73 | 438 6610-48 | 83 |
| 432 0061-01 | 75 | 432 0169-02 | 33 | 438 4899-01 | 75 | 438 7300-11 | 73 |
| 432 0062-01 | 73 | 432 0170-01 | 39 | 438 4900-01 | 7 | 438 7300-11 | 75 |
| 432 0062-01 | 75 | 432 0171-01 | 33 | 438 4901-01 | 7 | 438 7300-19 | 45 |
| 432 0063-01 | 73 | 432 0171-01 | 35 | 438 4904-01 | 7 | 438 7300-27 | 85 |
| 432 0063-01 | 75 | 432 0172-01 | 33 | 438 4904-01 | 9 | 438 7300-40 | 31 |
| 432 0064-01 | 71 | 432 0172-01 | 35 | 438 4905-01 | 7 | 438 7300-41 | 85 |
| 432 0067-01 | 53 | 432 0173-01 | 31 | 438 4906-01 | 19 | 438 7300-42 | 85 |
| 432 0073-01 | 19 | 432 0175-01 | 29 | 438 4912-01 | 9 | 438 7300-43 | 39 |
| 432 0074-01 | 67 | 432 0178-01 | 75 | 438 4912-02 | 9 | 438 7300-44 | 85 |
| 432 0075-01 | 77 | 432 0336-01 | 35 | 438 4914-02 | 19 | 438 7300-47 | 87 |
| 432 0075-02 | 77 | 432 0339-01 | 35 | 438 4921-01 | 53 | 438 7300-48 | 35 |
| 432 0076-01 | 77 | 432 0340-01 | 35 | 438 4924-01 | 53 | 438 7300-48 | 87 |
| 432 0077-01 | 77 | 432 0343-01 | 35 | 438 4925-01 | 49 | 438 7300-49 | 87 |
| 432 0077-02 | 77 | 432 0355-01 | 35 | 438 4925-01 | 51 | 438 7300-63 | 85 |
| 432 0078-01 | 77 | 432 0442-02 | 9 | 438 4929-01 | 7 | 438 7300-64 | 85 |
| 432 0079-01 | 77 | 432 0443-01 | 9 | 438 4929-01 | 9 | 438 7300-69 | 85 |
| 432 0080-01 | 77 | 432 0456-01 | 45 | 438 4929-02 | 9 | 438 7300-70 | 85 |

Numerical index/Numerical index

| Art.No/Réf. article | Page/Page | Art.No/Réf. article | Page/Page | Art.No/Réf. article | Page/Page | Art.No/Réf. article | Page/Page |
|---------------------|-----------|---------------------|-----------|---------------------|-----------|---------------------|-----------|
| 438 7300-71 | 85 | 471 4207-01 | 73 | 471 7830-01 | 27 | 471 8229-02 | 51 |
| 438 7300-72 | 85 | 471 4207-01 | 75 | 471 7837-01 | 31 | 471 8229-02 | 73 |
| 438 7300-73 | 85 | 471 4210-01 | 69 | 471 7837-30 | 31 | 471 8229-02 | 75 |
| 438 7300-74 | 87 | 471 4494-01 | 13 | 471 7837-40 | 31 | 471 8232-14 | 55 |
| 438 7300-75 | 87 | 471 4672-08 | 83 | 471 7837-50 | 31 | 471 8234-52 | 57 |
| 438 7300-76 | 87 | 471 4672-16 | 83 | 471 7837-60 | 31 | 471 8234-92 | 91 |
| 438 7300-77 | 87 | 471 4792-01 | 91 | 471 7855-02 | 49 | 471 8234-92 | 93 |
| 438 7300-78 | 87 | 471 4792-01 | 93 | 471 7855-02 | 51 | 471 8234-94 | 91 |
| 438 7300-83 | 89 | 471 4878-84 | 17 | 471 7858-04 | 71 | 471 8234-94 | 93 |
| 438 7300-85 | 85 | 471 5109-25 | 15 | 471 7858-05 | 57 | 471 8234-95 | 57 |
| 438 7300-86 | 23 | 471 5511-01 | 33 | 471 7858-05 | 67 | 471 8234-95 | 91 |
| 438 7950-01 | 29 | 471 5511-01 | 35 | 471 7867-01 | 49 | 471 8234-95 | 93 |
| 438 7950-02 | 29 | 471 5516-03 | 33 | 471 7873-01 | 83 | 471 8234-96 | 91 |
| 438 8102-02 | 49 | 471 5516-03 | 35 | 471 7876-01 | 39 | 471 8234-96 | 93 |
| 438 8102-02 | 51 | 471 5523-00 | 33 | 471 7911-01 | 23 | 471 8234-97 | 91 |
| 438 8102-04 | 73 | 471 5523-00 | 35 | 471 7912-01 | 23 | 471 8234-97 | 93 |
| 438 8102-04 | 75 | 471 5525-01 | 33 | 471 7958-01 | 17 | 471 8234-98 | 91 |
| 438 8152-01 | 29 | 471 5525-01 | 35 | 471 7958-01 | 19 | 471 8236-01 | 91 |
| 438 8152-01 | 31 | 471 5564-00 | 9 | 471 7958-01 | 27 | 471 8236-02 | 91 |
| 438 8152-02 | 29 | 471 5564-01 | 7 | 471 7976-01 | 39 | 471 8236-03 | 91 |
| 438 8152-03 | 29 | 471 5631-00 | 33 | 471 8117-10 | 57 | 471 8236-04 | 91 |
| 438 8152-03 | 31 | 471 5631-00 | 35 | 471 8117-11 | 71 | 471 8236-05 | 91 |
| 438 9550-01 | 25 | 471 6657-15 | 95 | 471 8118-01 | 31 | 471 8236-06 | 91 |
| 438 9550-01 | 27 | 471 6657-16 | 95 | 471 8118-06 | 49 | 471 8236-07 | 91 |
| 438 9550-03 | 25 | 471 6657-17 | 95 | 471 8118-09 | 49 | 471 8236-08 | 91 |
| 438 9550-04 | 27 | 471 6657-18 | 95 | 471 8126-07 | 59 | 471 8236-09 | 91 |
| 438 9555-01 | 27 | 471 6657-19 | 95 | 471 8126-23 | 55 | 471 8236-12 | 91 |
| 438 9636-02 | 21 | 471 6657-20 | 95 | 471 8128-55 | 49 | 471 8236-13 | 91 |
| 438 9636-03 | 21 | 471 6657-21 | 95 | 471 8128-55 | 51 | 471 8236-14 | 91 |
| 471 2032-39 | 57 | 471 6695-95 | 95 | 471 8128-56 | 49 | 471 8236-15 | 91 |
| 471 2068-48 | 41 | 471 6696-32 | 91 | 471 8140-10 | 71 | 471 8236-52 | 63 |
| 471 2075-79 | 13 | 471 6696-33 | 91 | 471 8140-11 | 71 | 471 8236-52 | 65 |
| 471 2075-80 | 37 | 471 6696-33 | 93 | 471 8140-12 | 71 | 471 8238-01 | 71 |
| 471 2095-32 | 49 | 471 6696-37 | 91 | 471 8140-13 | 71 | 471 8240-01 | 93 |
| 471 2264-03 | 27 | 471 6696-37 | 93 | 471 8143-01 | 83 | 471 8240-02 | 93 |
| 471 2265-69 | 27 | 471 6696-71 | 91 | 471 8159-06 | 71 | 471 8240-03 | 93 |
| 471 2312-01 | 37 | 471 7182-14 | 19 | 471 8164-00 | 27 | 471 8240-04 | 93 |
| 471 2401-52 | 49 | 471 7182-21 | 21 | 471 8164-00 | 31 | 471 8240-57 | 63 |
| 471 2416-83 | 51 | 471 7473-21 | 19 | 471 8164-00 | 41 | 471 8240-57 | 65 |
| 471 2417-19 | 15 | 471 7476-01 | 39 | 471 8164-00 | 49 | 471 8240-61 | 93 |
| 471 2418-14 | 33 | 471 7477-01 | 39 | 471 8164-01 | 69 | 471 8240-62 | 93 |
| 471 2418-14 | 35 | 471 7571-02 | 79 | 471 8164-01 | 71 | 471 8252-05 | 11 |
| 471 2436-02 | 67 | 471 7571-02 | 81 | 471 8174-01 | 69 | 471 8271-02 | 73 |
| 471 2440-39 | 67 | 471 7571-13 | 79 | 471 8192-01 | 13 | 471 8271-02 | 75 |
| 471 2440-40 | 27 | 471 7571-14 | 79 | 471 8196-01 | 73 | 471 8275-01 | 73 |
| 471 2449-70 | 37 | 471 7571-14 | 81 | 471 8196-01 | 75 | 471 8275-01 | 75 |
| 471 2449-94 | 67 | 471 7571-15 | 81 | 471 8210-01 | 95 | 471 8275-50 | 73 |
| 471 2449-95 | 27 | 471 7578-01 | 21 | 471 8210-02 | 95 | 471 8275-50 | 75 |
| 471 2456-71 | 49 | 471 7579-01 | 21 | 471 8210-03 | 95 | 471 8276-02 | 15 |
| 471 2460-99 | 67 | 471 7580-01 | 17 | 471 8210-11 | 95 | 471 8276-12 | 15 |
| 471 2461-04 | 67 | 471 7671-01 | 21 | 471 8210-12 | 95 | 471 8279-04 | 55 |
| 471 2461-25 | 33 | 471 7699-01 | 17 | 471 8210-21 | 95 | 471 8279-09 | 55 |
| 471 2461-25 | 35 | 471 7699-02 | 17 | 471 8210-22 | 95 | 471 8280-02 | 73 |
| 471 2461-27 | 33 | 471 7699-03 | 17 | 471 8210-31 | 57 | 471 8280-02 | 75 |
| 471 2461-27 | 35 | 471 7699-04 | 17 | 471 8210-31 | 59 | 471 8281-01 | 53 |
| 471 2461-40 | 33 | 471 7701-65 | 15 | 471 8210-31 | 95 | 471 8307-00 | 47 |
| 471 2461-40 | 35 | 471 7758-01 | 17 | 471 8210-32 | 57 | 471 8320-01 | 69 |
| 471 2461-55 | 37 | 471 7759-01 | 17 | 471 8210-32 | 59 | 471 8320-08 | 13 |
| 471 2461-56 | 37 | 471 7760-01 | 17 | 471 8210-32 | 95 | 471 8340-23 | 41 |
| 471 2461-57 | 37 | 471 7762-01 | 83 | 471 8210-51 | 95 | 471 8341-03 | 37 |
| 471 2841-01 | 71 | 471 7803-19 | 33 | 471 8210-52 | 95 | 471 8341-05 | 37 |
| 471 2903-01 | 49 | 471 7803-25 | 77 | 471 8229-01 | 49 | 471 8341-07 | 33 |
| 471 4005-62 | 73 | 471 7816-06 | 47 | 471 8229-01 | 51 | 471 8341-07 | 35 |
| 471 4005-62 | 75 | 471 7830-00 | 21 | 471 8229-01 | 73 | 471 8341-07 | 39 |
| 471 4009-60 | 13 | 471 7830-01 | 19 | 471 8229-01 | 75 | 471 8341-13 | 31 |
| 471 4074-01 | 27 | 471 7830-01 | 25 | 471 8229-02 | 49 | 471 8341-13 | 33 |

Numerical index/Numerical index

| Art.No/Réf. article | Page/Page | Art.No/Réf. article | Page/Page | Art.No/Réf. article | Page/Page | Art.No/Réf. article | Page/Page |
|---------------------|-----------|---------------------|-----------|---------------------|-----------|---------------------|-----------|
| 471 8341-13 | 37 | 471 8690-32 | 49 | 471 8822-22 | 87 | 471 9628-99 | 17 |
| 471 8341-17 | 33 | 471 8690-32 | 73 | 471 8822-22 | 89 | 471 9638-13 | 25 |
| 471 8341-22 | 33 | 471 8690-32 | 75 | 471 8859-01 | 27 | 471 9638-13 | 27 |
| 471 8341-24 | 37 | 471 8690-36 | 15 | 471 8859-07 | 19 | 471 9638-14 | 25 |
| 471 8341-24 | 39 | 471 8690-61 | 73 | 471 8859-07 | 27 | 471 9638-14 | 27 |
| 471 8341-44 | 77 | 471 8690-61 | 75 | 471 8977-25 | 17 | 471 9649-01 | 19 |
| 471 8341-46 | 77 | 471 8690-71 | 49 | 471 8983-31 | 19 | 471 9649-01 | 21 |
| 471 8344-22 | 37 | 471 8690-71 | 51 | 471 8984-01 | 43 | 471 9649-01 | 23 |
| 471 8344-22 | 41 | 471 8690-71 | 75 | 471 8985-01 | 15 | 471 9649-01 | 27 |
| 471 8344-24 | 39 | 471 8690-72 | 15 | 471 8993-01 | 31 | 471 9649-02 | 19 |
| 471 8344-24 | 69 | 471 8690-81 | 49 | 471 8994-01 | 17 | 471 9649-02 | 21 |
| 471 8344-26 | 41 | 471 8690-91 | 49 | 471 8995-11 | 27 | 471 9649-02 | 23 |
| 471 8344-28 | 33 | 471 8703-00 | 37 | 471 8995-12 | 27 | 471 9649-02 | 27 |
| 471 8344-28 | 45 | 471 8721-06 | 73 | 471 8995-13 | 27 | 471 9649-11 | 19 |
| 471 8344-28 | 69 | 471 8733-10 | 17 | 471 8997-03 | 31 | 471 9649-11 | 21 |
| 471 8344-33 | 13 | 471 8750-11 | 21 | 471 9004-75 | 37 | 471 9649-11 | 27 |
| 471 8345-23 | 39 | 471 8750-11 | 27 | 471 9004-75 | 41 | 471 9653-03 | 19 |
| 471 8348-17 | 69 | 471 8756-51 | 21 | 471 9037-73 | 53 | 471 9654-03 | 41 |
| 471 8362-01 | 31 | 471 8756-51 | 27 | 471 9074-04 | 11 | 471 9654-03 | 77 |
| 471 8362-10 | 31 | 471 8759-01 | 21 | 471 9202-32 | 49 | 471 9675-01 | 17 |
| 471 8362-20 | 31 | 471 8762-01 | 21 | 471 9202-32 | 51 | 471 9678-33 | 27 |
| 471 8362-30 | 31 | 471 8762-02 | 25 | 471 9202-32 | 75 | 471 9678-61 | 27 |
| 471 8362-40 | 31 | 471 8762-04 | 27 | 471 9202-33 | 49 | 471 9678-62 | 27 |
| 471 8362-50 | 31 | 471 8778-01 | 21 | 471 9202-33 | 51 | 471 9678-93 | 27 |
| 471 8362-60 | 31 | 471 8778-11 | 27 | 471 9202-33 | 75 | 471 9678-95 | 27 |
| 471 8409-05 | 13 | 471 8778-13 | 27 | 471 9203-62 | 19 | 471 9767-90 | 25 |
| 471 8409-05 | 55 | 471 8780-01 | 89 | 471 9203-62 | 21 | 471 9767-90 | 27 |
| 471 8454-01 | 31 | 471 8780-05 | 21 | 471 9203-62 | 25 | 471 9767-91 | 25 |
| 471 8502-14 | 39 | 471 8780-05 | 23 | 471 9204-93 | 9 | 471 9767-91 | 27 |
| 471 8576-00 | 47 | 471 8780-05 | 73 | 471 9209-24 | 33 | 471 9768-01 | 25 |
| 471 8576-03* | 11 | 471 8780-14 | 73 | 471 9209-24 | 35 | 471 9768-02 | 27 |
| 471 8576-04* | 11 | 471 8780-31 | 45 | 471 9219-38 | 55 | 471 9769-01 | 43 |
| 471 8577-02 | 33 | 471 8780-31 | 89 | 471 9221-11 | 37 | 471 9769-02 | 43 |
| 471 8577-02 | 69 | 471 8780-35 | 21 | 471 9226-97 | 25 | 471 9811-30 | 13 |
| 471 8610-02 | 51 | 471 8780-64 | 73 | 471 9228-97 | 33 | 471 9811-31 | 13 |
| 471 8613-03 | 49 | 471 8781-01 | 21 | 471 9228-97 | 35 | 471 9811-32 | 13 |
| 471 8613-04 | 51 | 471 8781-01 | 23 | 471 9228-98 | 33 | 471 9811-33 | 13 |
| 471 8613-05 | 49 | 471 8781-01 | 27 | 471 9228-98 | 35 | 471 9883-02 | 83 |
| 471 8614-04 | 71 | 471 8781-02 | 19 | 471 9228-98 | 77 | 471 9884-01 | 83 |
| 471 8626-03 | 51 | 471 8781-02 | 21 | 471 9529-07 | 21 | 472 5756-01 | 17 |
| 471 8626-03 | 73 | 471 8781-02 | 23 | 471 9529-10 | 19 | 472 5756-02 | 17 |
| 471 8626-03 | 75 | 471 8781-02 | 27 | 471 9529-10 | 27 | 472 5756-04 | 17 |
| 471 8628-21 | 67 | 471 8781-03 | 19 | 471 9550-14 | 21 | 472 5756-05 | 17 |
| 471 8628-21 | 71 | 471 8781-03 | 21 | 471 9550-15 | 19 | 472 5756-06 | 17 |
| 471 8636-20 | 83 | 471 8781-03 | 23 | 471 9550-18 | 19 | 472 5756-07 | 17 |
| 471 8641-01 | 73 | 471 8781-03 | 27 | 471 9550-19 | 21 | 472 5756-08 | 17 |
| 471 8641-01 | 75 | 471 8781-04 | 21 | 471 9550-21 | 27 | 472 5756-09 | 17 |
| 471 8641-01 | 77 | 471 8781-04 | 27 | 471 9550-22 | 27 | 472 5756-10 | 17 |
| 471 8651-50 | 57 | 471 8781-11 | 19 | 471 9560-01 | 15 | 472 5771-01 | 31 |
| 471 8651-50 | 67 | 471 8781-11 | 21 | 471 9578-50 | 43 | 472 6024-00 | 49 |
| 471 8665-04 | 71 | 471 8781-11 | 23 | 471 9608-00 | 45 | 472 6025-00 | 49 |
| 471 8673-01 | 59 | 471 8781-11 | 27 | 471 9625-02 | 33 | 472 6028-01 | 69 |
| 471 8673-01 | 61 | 471 8781-21 | 21 | 471 9625-02 | 37 | 472 6029-01 | 69 |
| 471 8682-04 | 67 | 471 8782-03 | 25 | 471 9625-03 | 39 | 472 6208-00 | 33 |
| 471 8682-06 | 83 | 471 8782-03 | 27 | 471 9625-03 | 77 | 472 6208-00 | 35 |
| 471 8688-13 | 15 | 471 8792-01 | 27 | 471 9625-50 | 37 | 472 6211-00 | 33 |
| 471 8688-14 | 83 | 471 8793-01 | 31 | 471 9628-17 | 17 | 472 6212-03 | 13 |
| 471 8690-04 | 71 | 471 8796-01 | 75 | 471 9628-19 | 17 | 472 6231-00 | 47 |
| 471 8690-21 | 83 | 471 8796-01 | 87 | 471 9628-21 | 17 | 472 6232-00 | 47 |
| 471 8690-22 | 49 | 471 8797-01 | 27 | 471 9628-22 | 31 | 472 6233-00 | 47 |
| 471 8690-22 | 51 | 471 8822-01 | 89 | 471 9628-32 | 17 | 472 6234-01 | 47 |
| 471 8690-22 | 73 | 471 8822-11 | 87 | 471 9628-32 | 31 | 472 6256-00 | 47 |
| 471 8690-22 | 75 | 471 8822-11 | 89 | 471 9628-33 | 17 | 472 6325-00 | 37 |
| 471 8690-28 | 83 | 471 8822-12 | 89 | 471 9628-33 | 31 | 472 6326-01 | 37 |
| 471 8690-31 | 73 | 471 8822-21 | 87 | 471 9628-90 | 31 | 472 6328-04 | 37 |
| 471 8690-31 | 75 | 471 8822-21 | 89 | 471 9628-94 | 17 | 472 6332-01 | 37 |

Numerical index/Numerical index

| Art.No/Réf. article | Page/Page | Art.No/Réf. article | Page/Page | Art.No/Réf. article | Page/Page | Art.No/Réf. article | Page/Page |
|---------------------|-----------|---------------------|-----------|---------------------|-----------|---------------------|-----------|
| 472 6345-01 | 71 | 725 2544-51 | 47 | 735 5852-00 | 69 | | |
| 472 6346-01 | 69 | 725 2544-51 | 89 | 735 9628-00 | 15 | | |
| 472 6363-05 | 69 | 725 2544-71 | 15 | 736 2119-11 | 71 | | |
| 472 6365-03 | 57 | 725 2548-51* | 11 | 736 2816-51 | 53 | | |
| 472 6365-03 | 59 | 725 2548-71 | 89 | 736 2816-51 | 57 | | |
| 472 6374-01 | 69 | 725 2558-51 | 15 | 736 2816-51 | 63 | | |
| 472 6375-02 | 59 | 725 2624-51 | 15 | 736 2816-51 | 65 | | |
| 472 6382-01 | 43 | 725 2636-51* | 11 | 736 2816-51 | 67 | | |
| 472 6396-01 | 69 | 725 5340-01 | 69 | 736 2816-51 | 71 | | |
| 472 6397-02 | 69 | 725 5453-01 | 77 | 736 2825-51 | 51 | | |
| 472 6810-01* | 11 | 725 6328-42 | 35 | 736 2825-51 | 57 | | |
| 472 6812-01* | 11 | 728 8362-11 | 33 | 736 2825-51 | 63 | | |
| 472 6814-01* | 11 | 728 8445-01 | 33 | 736 2825-51 | 65 | | |
| 472 6817-01* | 11 | 728 8445-01 | 35 | 736 2825-51 | 67 | | |
| 472 6818-03* | 11 | 731 2314-01 | 69 | 736 2831-51 | 57 | | |
| 472 6818-03 | 73 | 731 2316-01 | 33 | 736 2831-51 | 59 | | |
| 472 6818-03 | 75 | 731 2316-01 | 35 | 736 2831-51 | 61 | | |
| 472 6855-01 | 73 | 731 2316-01 | 77 | 736 2840-51 | 49 | | |
| 472 7206-01 | 49 | 731 2318-01 | 39 | 736 2840-51 | 63 | | |
| 472 7256-03 | 69 | 731 2318-01 | 47 | 736 2840-51 | 65 | | |
| 472 7260-02 | 69 | 731 2322-01 | 47 | 736 2846-51 | 49 | | |
| 472 7261-01 | 61 | 732 2110-01 | 33 | 736 2849-51 | 51 | | |
| 472 7264-01 | 21 | 732 2110-01 | 35 | 736 2855-51 | 49 | | |
| 472 7264-01 | 25 | 732 2110-01 | 37 | 736 2855-51 | 51 | | |
| 472 7264-01 | 27 | 732 2110-01 | 39 | 736 2855-51 | 53 | | |
| 472 7278-02 | 77 | 732 2112-01 | 41 | 738 6117-13 | 33 | | |
| 472 7286-01 | 73 | 732 2112-42 | 69 | 740 4206-00 | 49 | | |
| 472 7286-01 | 75 | 732 2114-92 | 37 | 740 4206-00 | 51 | | |
| 472 9087-01 | 51 | 732 2114-92 | 45 | 740 4206-00 | 75 | | |
| 472 9209-01 | 73 | 732 2116-01 | 45 | 740 4209-00 | 15 | | |
| 472 9209-01 | 75 | 732 2116-01 | 53 | 740 4209-00 | 83 | | |
| 472 9214-02 | 73 | 732 2116-01 | 77 | 740 4811-03 | 83 | | |
| 472 9214-02 | 75 | 732 2118-01 | 53 | 741 4102-20 | 75 | | |
| 472 9361-01 | 33 | 732 2118-01 | 77 | 741 5115-24 | 55 | | |
| 472 9373-01 | 33 | 732 2118-01 | 89 | 741 5115-24 | 57 | | |
| 472 9375-01 | 33 | 732 2120-01 | 11 | 741 5115-24 | 59 | | |
| 472 9375-05 | 35 | 732 2120-01 | 13 | 744 3117-06 | 57 | | |
| 472 9375-06 | 35 | 732 2120-01 | 33 | 744 3117-06 | 59 | | |
| 472 9388-04 | 73 | 732 2120-01 | 35 | 762 1116-10 | 83 | | |
| 472 9388-04 | 75 | 732 2122-01 | 15 | 762 1152-10 | 73 | | |
| 472 9913-22 | 13 | 732 2122-01 | 47 | 762 1152-10 | 75 | | |
| 720 1307-06 | 69 | 732 2122-01 | 89 | 762 1191-10 | 37 | | |
| 724 1236-42 | 37 | 732 2124-01* | 11 | 762 9105-05 | 37 | | |
| 724 1285-42 | 37 | 732 3116-14 | 33 | 762 9105-05 | 41 | | |
| 724 1295-01 | 41 | 732 3116-14 | 35 | 767 5103-18 | 25 | | |
| 725 2327-51 | 33 | 732 3116-14 | 77 | 767 5103-18 | 27 | | |
| 725 2364-42 | 35 | 734 1124-01 | 33 | 767 5104-18 | 25 | | |
| 725 2366-61 | 53 | 734 1124-01 | 39 | 767 5104-18 | 27 | | |
| 725 2370-61 | 45 | 734 1136-01 | 33 | 877 5211-08 | 57 | | |
| 725 2378-51 | 35 | 734 1146-09 | 39 | 877 5211-08 | 63 | | |
| 725 2378-51 | 77 | 734 1153-01 | 77 | 877 5211-08 | 65 | | |
| 725 2451-42 | 13 | 734 1153-09 | 33 | 877 5361-02 | 15 | | |
| 725 2451-42 | 37 | 734 1153-09 | 35 | | | | |
| 725 2451-51 | 9 | 734 1153-09 | 69 | | | | |
| 725 2453-51 | 89 | 734 1164-01 | 77 | | | | |
| 725 2455-51 | 77 | 734 1164-09 | 13 | | | | |
| 725 2459-51 | 15 | 734 1164-09 | 37 | | | | |
| 725 2461-51 | 39 | 734 1173-01 | 11 | | | | |
| 725 2463-51 | 77 | 734 1173-01 | 13 | | | | |
| 725 2493-51 | 11 | 734 1173-01 | 55 | | | | |
| 725 2501-51 | 11 | 734 1178-01 | 15 | | | | |
| 725 2501-81 | 13 | 734 1178-01 | 47 | | | | |
| 725 2509-51 | 55 | 734 1178-09 | 69 | | | | |
| 725 2518-51 | 13 | 734 1808-51 | 37 | | | | |
| 725 2536-42 | 33 | 735 3166-00 | 15 | | | | |
| 725 2536-42 | 35 | 735 3177-10 | 15 | | | | |

Numerical index/Numerical index

| Art.No/Réf. article | Page/Page | Art.No/Réf. article | Page/Page | Art.No/Réf. article | Page/Page | Art.No/Réf. article | Page/Page |
|---------------------|-----------|---------------------|-----------|---------------------|-----------|---------------------|-----------|
| | | | | | | | |

WASCOMAT

461 Doughty Blvd., Inwood, L.I., N.Y. 11096-0338

Telephone: 516-371-4400

Parts and Service FAX: 516-371-4029

Sales and Administration FAX: 516-371-4204