

EX-200c

Washer extractor

Laveuses essoreuses

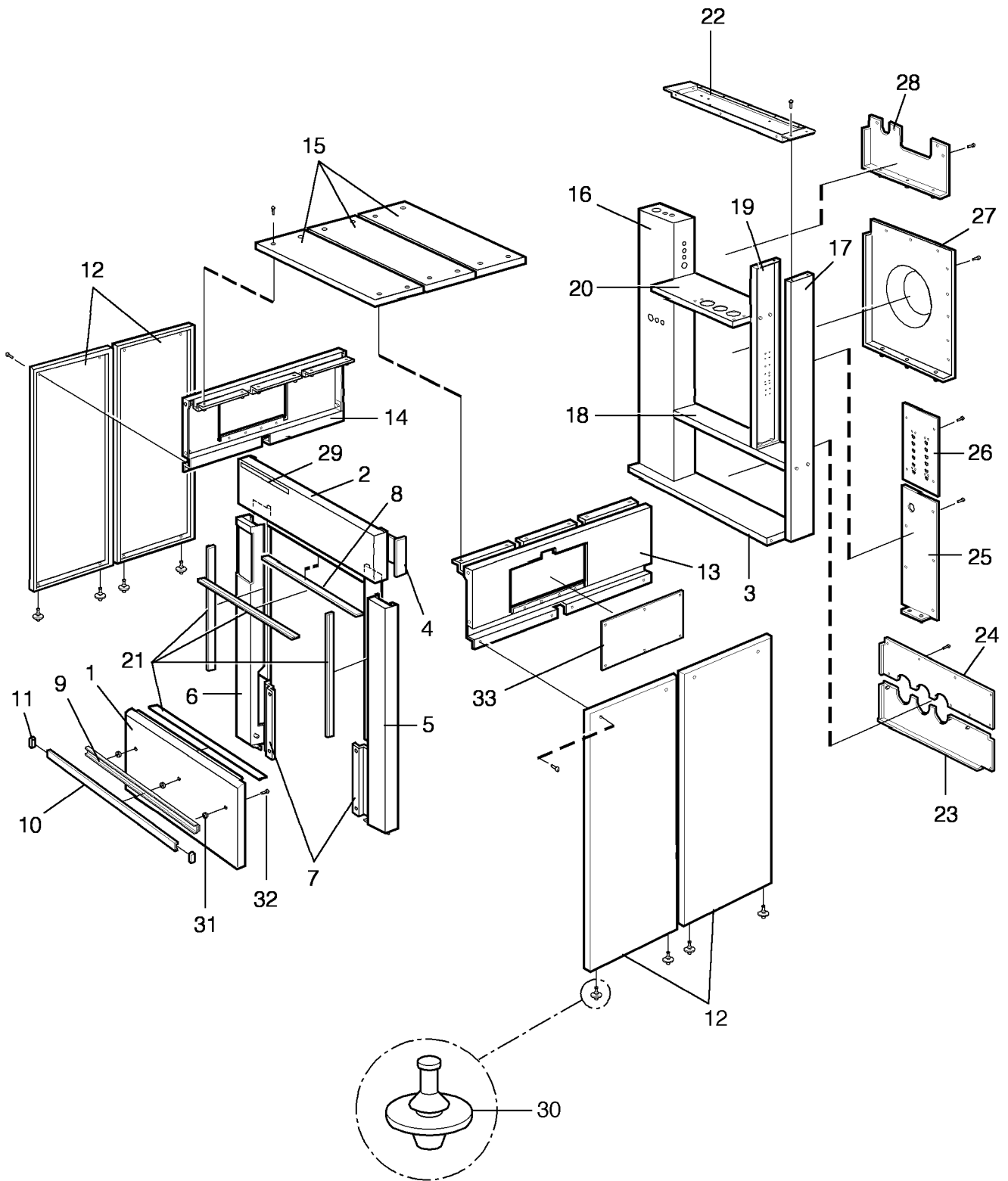
List of issues

EX-200c

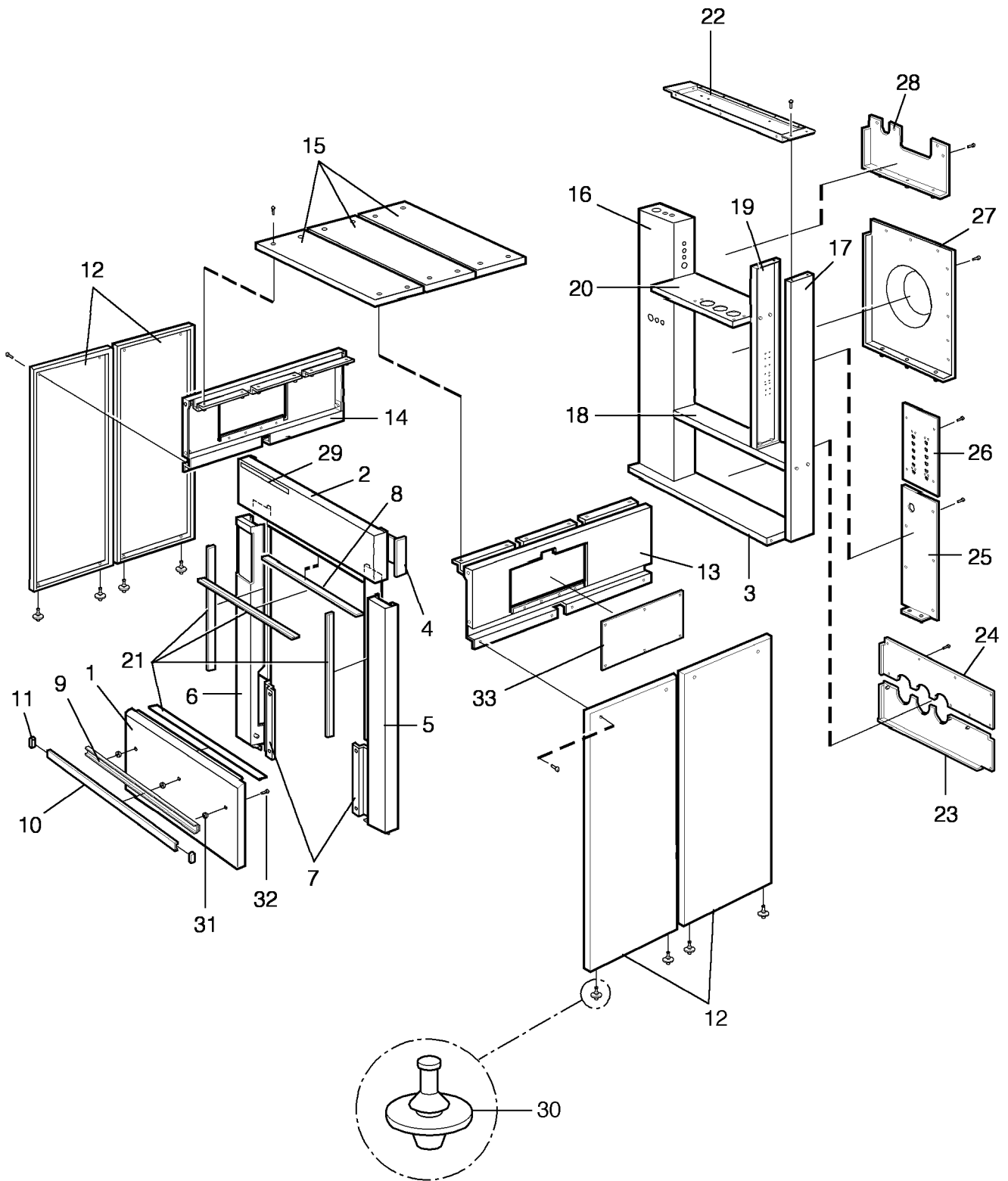
Illustration	Page	Table of contents
100423	29	Suspension
100425	31	Belt tensioner wash
100432	37	Clutch
101426	23	Door
101432	47	Drain valve
101481	9	Panels
101487	25	Door lock
101492	53	Steam components
101496	11	Frame
101497	27	Motors
101498	41	Out of balance switch
101616	19	Motor module
101618	15	Electric cabinet, front
101628	17	Electric cabinet, rear
101631	33	Belt tensioner centrifugal
101632	39	Switch for hydraulic coupling
101633	13	Inner and outer drum complete
101647	45	Drain valve and hoses
101721	49	Water alternatives
101722	51	Water connections
101724	59	Third water valve
101725	61	Drain valve and hoses, water recovery
101726	65	Insulation
101727	67	Weighing device
101728	55	Dispensing components
101729	57	Level tube and test tap
101730	63	Tilt, forward and forward/backward
101795	21	Relay box
102557	43	Lubrication

EX-200c

Table of contents	Table des matières	Page/Page
Panels	Plaques	9
Frame	Base	11
Inner and outer drum complete	Tambour intérieur et extérieur complet	13
Electric cabinet, front	Armoire électrique, avant	15
Electric cabinet, rear	Armoire électrique, arrière	17
Motor module	Motor module	19
Relay box	Relay box	21
Door	Plaque	23
Door lock	Serrure de porte	25
Motors	Moteurs	27
Suspension	Pied à ressorts	29
Belt tensioner wash	Tendeur de courroie de lavage	31
Belt tensioner centrifugal	Tendeur de courroie essorage	33
Clutch	Connexion	37
Switch for hydraulic coupling	Commutateur, connexion hydraulique	39
Out of balance switch	Commutateur asymétrique	41
Lubrication	Lubrification	43
Drain valve and hoses	Purgeur et flexible	45
Drain valve	Vanne de vidange	47
Water alternatives	Option eau	49
Water connections	Raccords d'eau	51
Steam components	Composant vapeur	53
Dispensing components	Distributeur de savon	55
Level tube and test tap	Tuyau de niveau et robinet de test	57
Third water valve	Soupapes vapeur et eau	59
Drain valve and hoses, water recovery	Purgeur et flexibles, recyclage	61
Tilt, forward and forward/backward	Basculement, avant et avant/arrière	63
Insulation	Isolation	65
Weighing device	Unité de balance	67



EX-200c				Illustration	Issue	Month	Year
Panels				Schéma	Issue	Month	Year
Plaques				101481/1	5	10	2000
Item	Qua.	Art.No	Description	Description	Info	Notes	
Article	Qua.	Réf. article			Info	Remarques	
1	1	432 0408-01	Front plate, lower	Tôle de façade inférieure	3		
2	1	432 0409-01	Front plate, upper	Tôle de façade supérieure	3		
	1	432 0409-02	Front plate, upper	Tôle de façade supérieure	3	Silver	
3	1	432 0407-01	Bottom shelf	Planche de fond	3		
4	2	432 0042-01	Cover plate	Plaque recouvrement	3		
	2	432 0042-02	Cover plate	Couvercle	3	Stainless	
	2	432 0042-03	Cover plate	Couvercle	3	Grey	
5	1	432 0400-01	Pillar	Montant	3	Right	
6	1	432 0401-01	Pillar	Montant	3	Left	
7	2	432 0442-01	Angular mounting plate	Equerre	3		
8	1	432 0404-01	Profile	Profilé	3	Upper	
9	1	471 5560-00	Profile	Profilé	3		
10	RQ	471 5564-00	Safety strip	Lame sécurité plomb	3		
11	2	471 9204-93	Sleeve	Manchon	3		
12	4	432 0405-01	Lower side panel	Panneau latéral inférieur	3	White	
	4	432 0405-02	Lower side panel	Panneau latéral inférieur	3	Stainless	
	4	432 0405-03	Lower side panel	Panneau latéral inférieur	3	Red	
	1	432 0405-04	Lower side panel with hole for level tube and test tap	Lower side panel with hole for level tube and test tap	3	White	
	1	432 0405-05	Lower side panel with hole for level tube and test tap	Lower side panel with hole for level tube and test tap	3	Stainless	
	1	432 0405-06	Lower side panel with hole for level tube and test tap	Lower side panel with hole for level tube and test tap	3	Red	
	1	432 0405-07	Lower side panel	Panneau latéral inférieur	3	Grey	
	1	432 0405-08	Lower side panel with hole for level tube and test tap	Lower side panel with hole for level tube and test tap	3	Grey	
13	1	432 0402-04	Top side panel	Panneau latéral supérieur	3	Right, white	
	1	432 0402-05	Top side panel	Panneau latéral supérieur	3	Right, stainless	
	1	432 0402-08	Top side panel	Panneau latéral supérieur	3	Right, grey	
14	1	432 0402-01	Top side panel	Panneau latéral supérieur	3	Left, white	
	1	432 0402-02	Top side panel	Panneau latéral supérieur	3	Left, stainless	
	1	432 0402-07	Top side panel	Panneau latéral supérieur	3	Left, grey	
15	3	432 0403-01	Top panel	Couvercle	3	White	
	3	432 0403-02	Top panel	Couvercle	3	Stainless	
	3	432 0403-04	Top panel	Couvercle	3	Grey	
16	1	432 0410-01	Electric cabinet	Passage de câbles	3		
	1	432 0410-03	Electric cabinet	Passage de câbles	3	Grey	
17	1	432 0426-01	Pillar	Montant	3	Rear White	
	1	432 0426-03	Pillar	Montant	3	Grey	
18	1	432 0430-01	Beam	Poutre	3		
	1	432 0430-03	Beam	Poutre	3	Grey	
19	1	432 0431-01	Beam	Poutre	3		
	1	432 0431-03	Beam	Poutre	3	Grey	
20	1	432 0429-01	Beam	Poutre	3	Upper	
	1	432 0429-03	Beam	Poutre	3	Grey	
21	RQ	438 4273-11	Rubber strip	Joint caoutchouc	3		
22	1	432 0428-01	Valve box	Valve box	3	White Rear	
	1	432 0428-03	Valve box	Valve box	3	Grey Rear	
23	1	432 0452-01	Cover plate	Plaque recouvrement	3	White	
	1	432 0452-03	Cover plate	Couvercle	3	Grey	
24	1	432 0453-01	Cover plate	Plaque recouvrement	3	White	
	1	432 0453-03	Cover plate	Couvercle	3	Grey	
25	1	432 0434-01	Cover plate	Plaque recouvrement	3	White	
	1	432 0434-03	Cover plate	Couvercle	3	Grey	
26	1	432 0436-01	Cover plate	Plaque recouvrement	3	White	
	1	432 0436-03	Cover plate	Couvercle	3	Grey	
27	1	432 0433-01	Cover plate	Plaque recouvrement	3	White	
	1	432 0433-03	Cover plate	Couvercle	3	Grey	
28	1	432 0432-01	Cover plate	Plaque recouvrement	3	White	



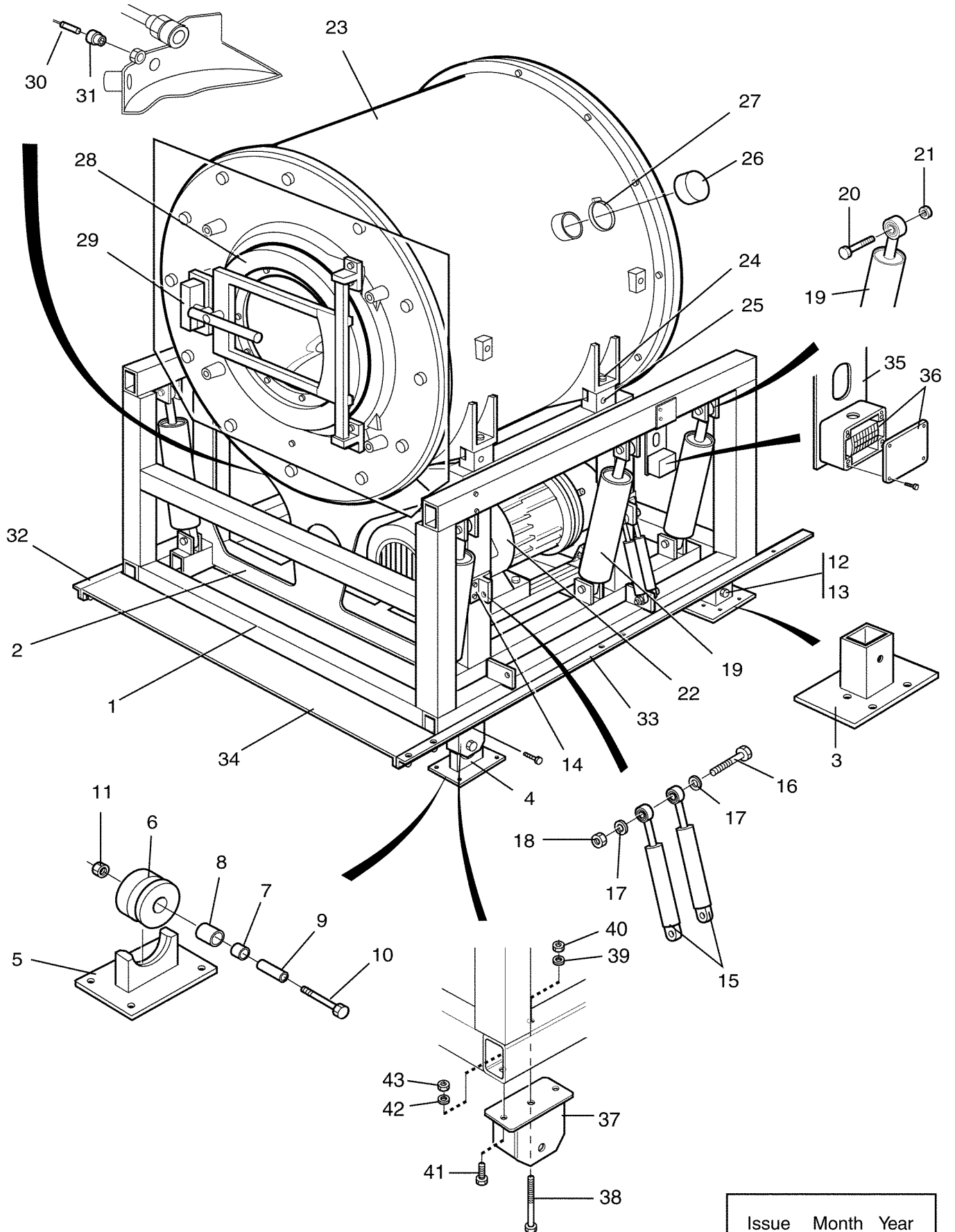
EX-200c

Panels

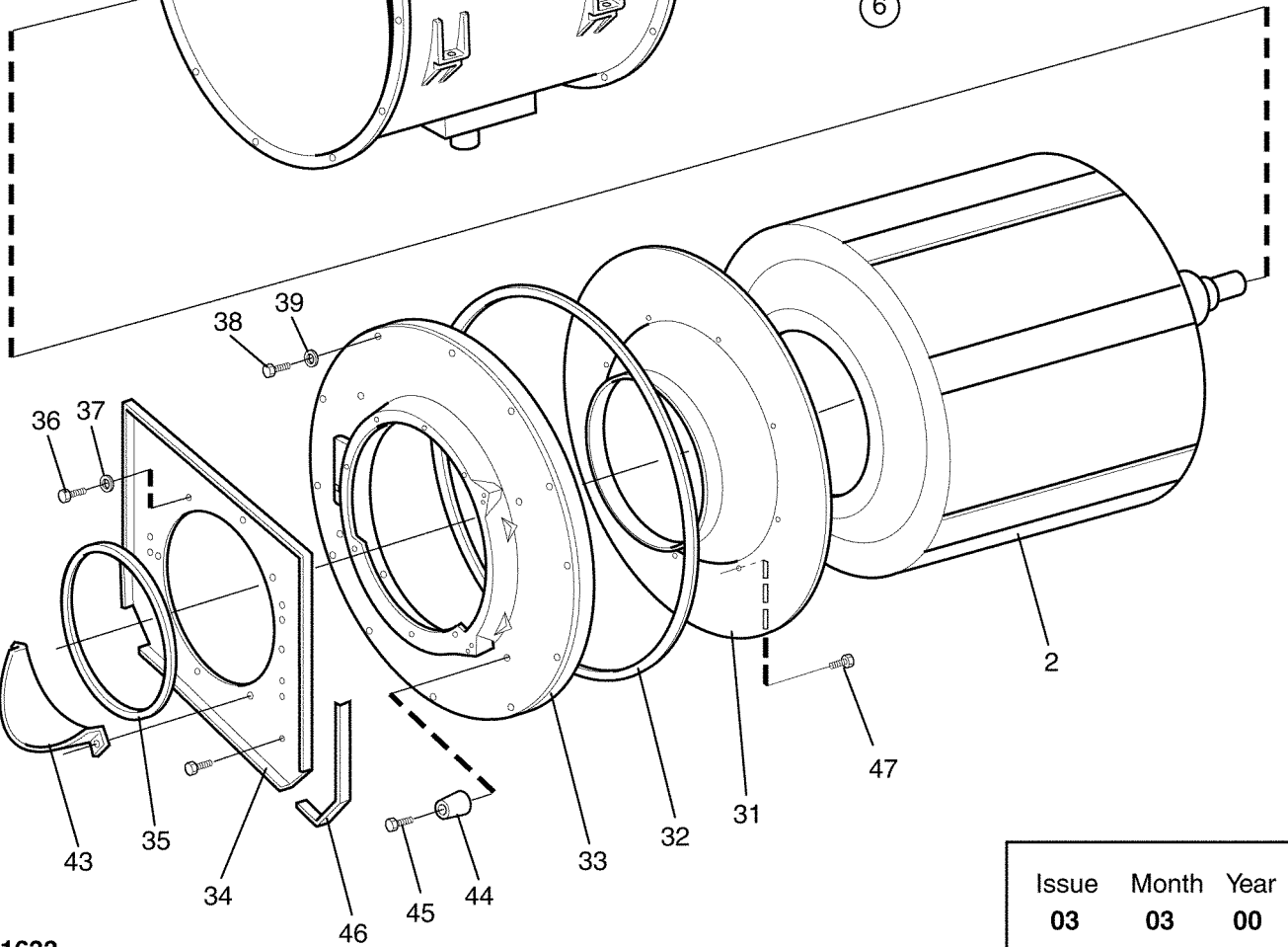
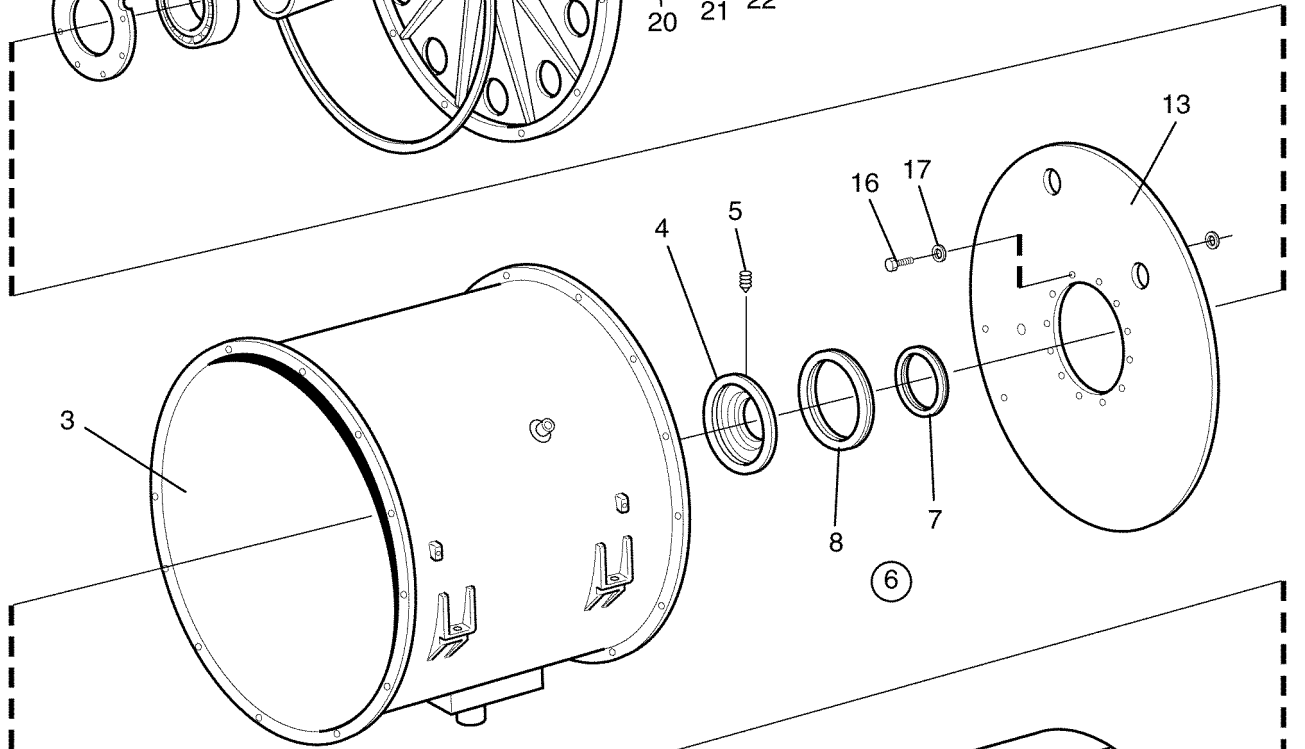
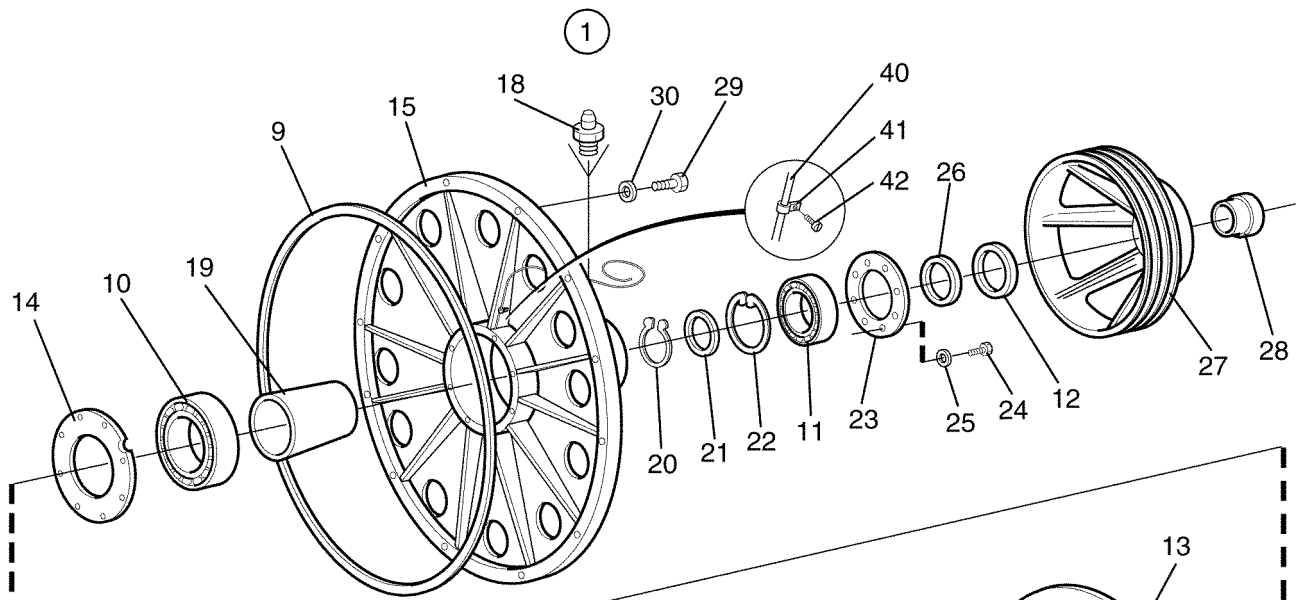
Plaques

Illustration Issue Month Year
Schéma Issue Month Year
101481/1 5 10 2000

Item Article	Qua. Qua.	Art.No Réf. article	Description	Description	Info Info	Notes Remarques
29	1	432 0432-03	Cover plate	Couvercle	3	Grey
	1	471 7714-01	Type plate	Numéro série plaque	3	FLE850MP
	1	471 7714-02	Type plate	Numéro série plaque	3	EX200c
30	21	432 0117-01	Rubber guide	Rubber guide	3	
31	3	432 0443-01	Spacer	Entretoise	3	
32	3	725 2451-51	Screw	Vis	3	M8X20
33	1	471 6843-01	Cover plate	Couvercle	3	
	1	471 6843-02	Cover plate	Couvercle	3	Stainless
	1	471 6843-04	Cover plate	Couvercle	3	Grey



EX-200c							
Frame				Illustration	Issue	Month	Year
Base				Schéma	Issue	Month	Year
				101496/1	7	1	2010
Item	Qua.	Art.No	Description	Description	Info	Notes	
Article	Qua.	Réf. article			Info	Remarques	
1	1	472 6921-04	Outer frame	Châssis extérieur	3		
2	1	472 6920-01	Inner frame	Inner frame	3		
3	RQ	472 6817-01	Foot	Pied	1		
4	RQ	472 6818-03	Foot	Pied	1	Complete	
5	RQ	472 6812-01	•Bracket	•Support de montage	1		
6	RQ	472 6810-01	•Wheel	•Roue	1		
7	RQ	471 8576-03	•Bushing	•Douille	1	20/28X20	
8	RQ	471 8576-04	•Bushing	•Douille	1	20/28X30	
9	RQ	472 6814-01	•Bushing	•Douille	1		
10	RQ	725 2640-51	•Screw	•Vis	3	M16X100	
11	RQ	732 2124-01	•Locking nut	•Contre-écrou	3	M16	
12	RQ	725 2636-51	Screw	Vis	3	M16X80	
13	RQ	732 2124-01	Locking nut	Contre-écrou	3	M16	
14	4	471 4641-26	Bracket	Support de montage	3		
15	8	471 9043-21	Shock absorber	Frotteurs	1,2		
16	8	725 2507-51	Screw	Vis	3	M10X80	
17	8	734 1173-01	Washer	Rondelle	3	BRB 10,5X21	
18	8	732 2120-01	Locking nut	Contre-écrou	3	M10	
19	6	471 4108-79	Spring strut	Pied à ressorts	1	See illustr. 100423	
20	12	725 2632-51	Screw	Vis	3	M16X60	
21	12	732 2124-01	Locking nut	Contre-écrou	3	M16	
22			Motors	Moteurs		See illustr. 101497	
23		472 6934-10	Drum	Tambour		See illustr. 101633	
24	4	725 2628-51	Screw	Vis	3	M16X40	
25	4	725 5493-01	Screw	Vis	3	M10X25	
26	1	471 2409-89	Hood	Capot	3		
27	1	736 2840-51	Hose clamp	Attache flexible	3	Ø50-63	
28	1	432 0034-01	Door	Plaque		See illustr. 101426	
29	1	432 0170-01	Door locking device	Serrure de porte		See illustr. 101487	
30	1	472 9913-22	Sensor	Capteur	1,2	Complete	
31	1	471 8192-01	•Bushing	•Douille	3		
32	1	432 0406-01	Angular support	Support angulaire	3	Right	
33	1	432 0406-02	Angular support	Support angulaire	3	Left	
34	1	432 0416-01	Shelf	Tablette	3	Front	
35	1	432 0422-01	Bracket	Pupitre	3		
36	1	432 0066-01	Connection box	Boîte de connexion	3		
37	RQ	432 0008-01	Foot	Pied	3	Upper part, fixed/tilting	
	RQ	432 0008-03	Foot	Pied	3	Upper part, weighing device	
38	4	725 2556-51	Screw	Vis	3	M12x120	
	4	725 2538-51	Screw	Vis	3	M12X35 Weighing device	
39	4	734 1178-01	Washer	Rondelle	3	BRB 13X24	
40	4	732 2222-01	Nut	Écrou	3		
41	4	725 2493-51	Screw	Vis	3	M10X25	
42	4	734 1173-01	Washer	Rondelle	3	BRB 10,5X21	
43	4	732 2120-01	Locking nut	Contre-écrou	3	M10	



Issue	Month	Year
03	03	00

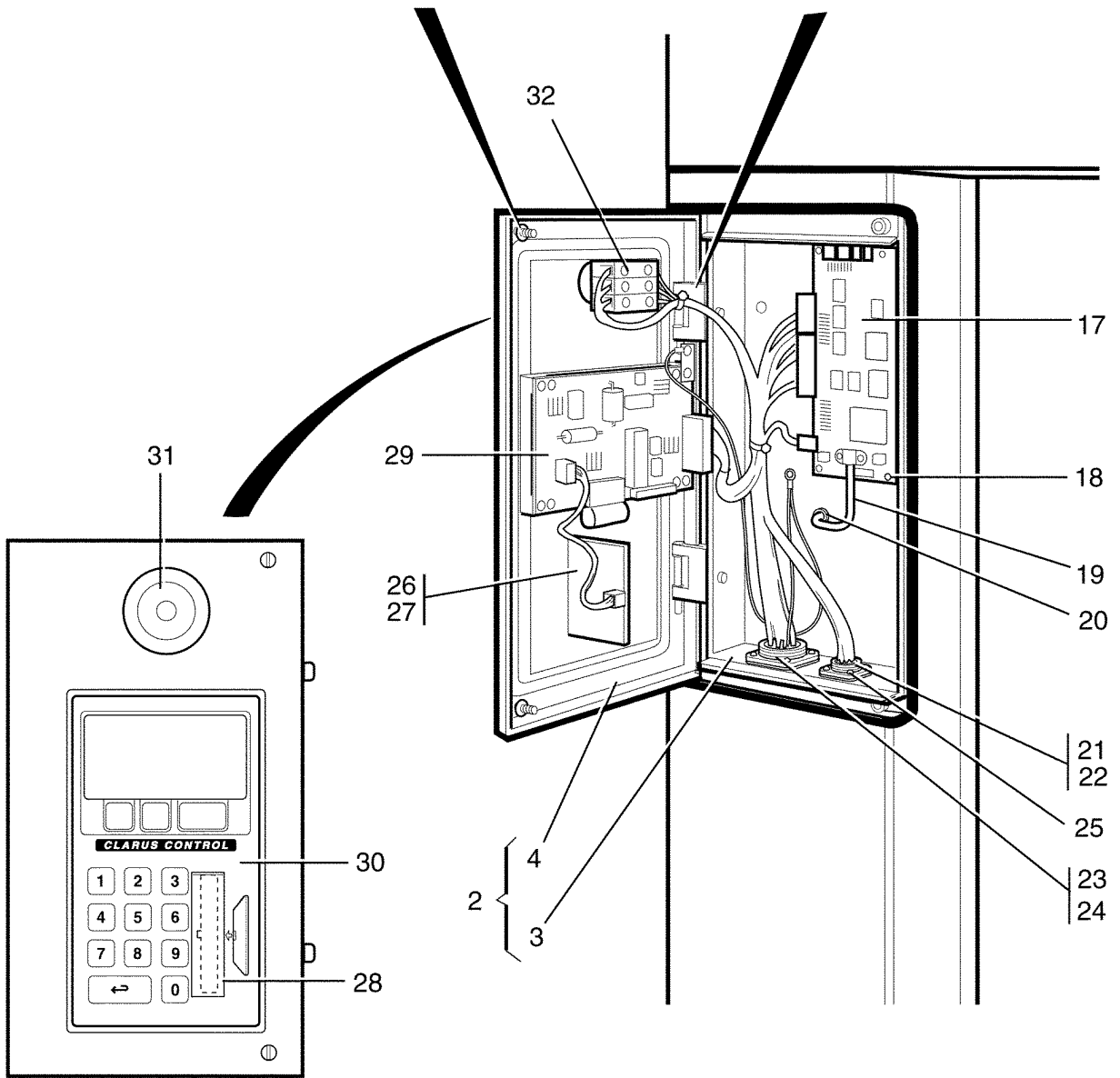
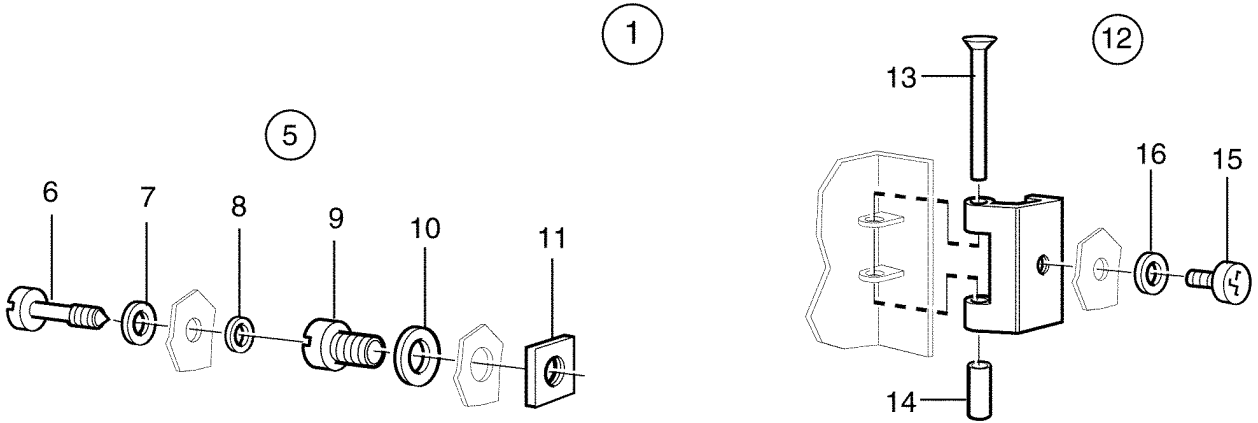
EX-200c

Inner and outer drum complete

Tambour intérieur et extérieur complet

Illustration Issue Month Year
Schéma Issue Month Year
101633/2 5 1 2010

Item Article	Qua. Qua.	Art.No Réf. article	Description	Description	Info Info	Notes Remarques
1	1	472 6934-10	Drum	Tambour	3	Complete
2	1	472 6927-01	•Inner drum	•Intérieur du tambour	3	
3	1	472 6936-07	•Outer drum	•Extérieur du tambour	3	
4	1	472 6916-01	•Bracket	•Pièce de retenue	1	
5	1	728 8362-01	•Screw	•Vis	3	SK6SS 6X8
6	1	471 6668-98	•Bearing set	•Jeu de coussinets	1	
7	1		••V-ring	••Anneau en forme de V		
8	1		••V-ring	••Anneau en forme de V		
9	1	471 8155-02	••Gasket	••Bande de garniture	1	
10	1		••Roller bearing	••Roulements à galets		
11	1		••Roller bearing	••Roulements à galets		
12	1		••V-ring	••Anneau en forme de V		
	RQ	874 7601-08	••Lubricating grease	••Lubrifiant solide		
13	1	472 6932-10	•Cover plate	•Plaque recouvrement	1	
14	1	472 6954-01	•Plate	•Plaque	3	
15	1	472 6908-01	•End piece	•Pignon	3	
16	8	725 2451-42	•Screw	•Vis	3	M8X20
17	16	734 1164-09	•Washer	•Rondelle	3	BRB 8,4X17
18	2	738 8810-01	•Nipple	•Raccord	1	
19	1	472 6930-01	•Sleeve	•Manchon	3	
20	1	735 3179-00	•C-clamp	•Presse à main	3	SGA16
21	1	472 6931-01	•Ring	•Anneau	3	
22	1	735 3187-10	•C-clamp	•Presse à main	3	SGH200
23	1	472 6929-01	•Bearing cover	•Chapeau de palier	3	
24	8	725 2491-51	•Screw	•Vis	3	M10X20
25	8	734 1173-09	•Washer	•Rondelle	3	BRB 10,5X21
26	1	471 8551-04	•Sleeve	•Manchon	1	
27	1	472 6909-01	•Pulley	•Poulie	1	
28	1	471 8552-00	•Bushing	•Douille	1	
29	12	725 2634-51	•Screw	•Vis	3	M16X70
30	12	734 1186-01	•Washer	•Rondelle	3	BRB 17X30
31	1	472 6910-01	•End piece	•Pignon	1	FRONT
32	1	471 8155-02	•Gasket	•Bande de garniture	1	
33	1	472 6917-10	•End piece	•Pignon	3	
34	1	472 6924-10	•Front panel	•Panneau avant	3	
35	1	471 2426-54	•Rubber strip	•Joint caoutchouc	1	
36	8	725 2451-42	•Screw	•Vis	3	M8X20
37	16	734 1164-09	•Washer	•Rondelle	3	BRB 8,4X17
38	12	725 2636-51	•Screw	•Vis	3	M16X80
39	12	734 1186-01	•Washer	•Rondelle	3	BRB 17X30
40	1	471 8625-02	•Pipe	•Tube	3	
41	2	471 4605-30	•Clamp	•Attache	3	
42	2	725 2325-51	•Screw	•Vis	3	M5X10
43	1	432 0030-01	Unloading plate	Unloading plate	3	
44	4	432 0465-04	Spacer	Entretoise	3	
45	4	725 2464-42	Screw	Vis	3	M8X65
46	RQ	438 4273-11	Rubber strip	Joint caoutchouc	3	
47	8	725 6491-42	Screw	Vis	3	M10X20



Issue	Month	Year
02	10	98

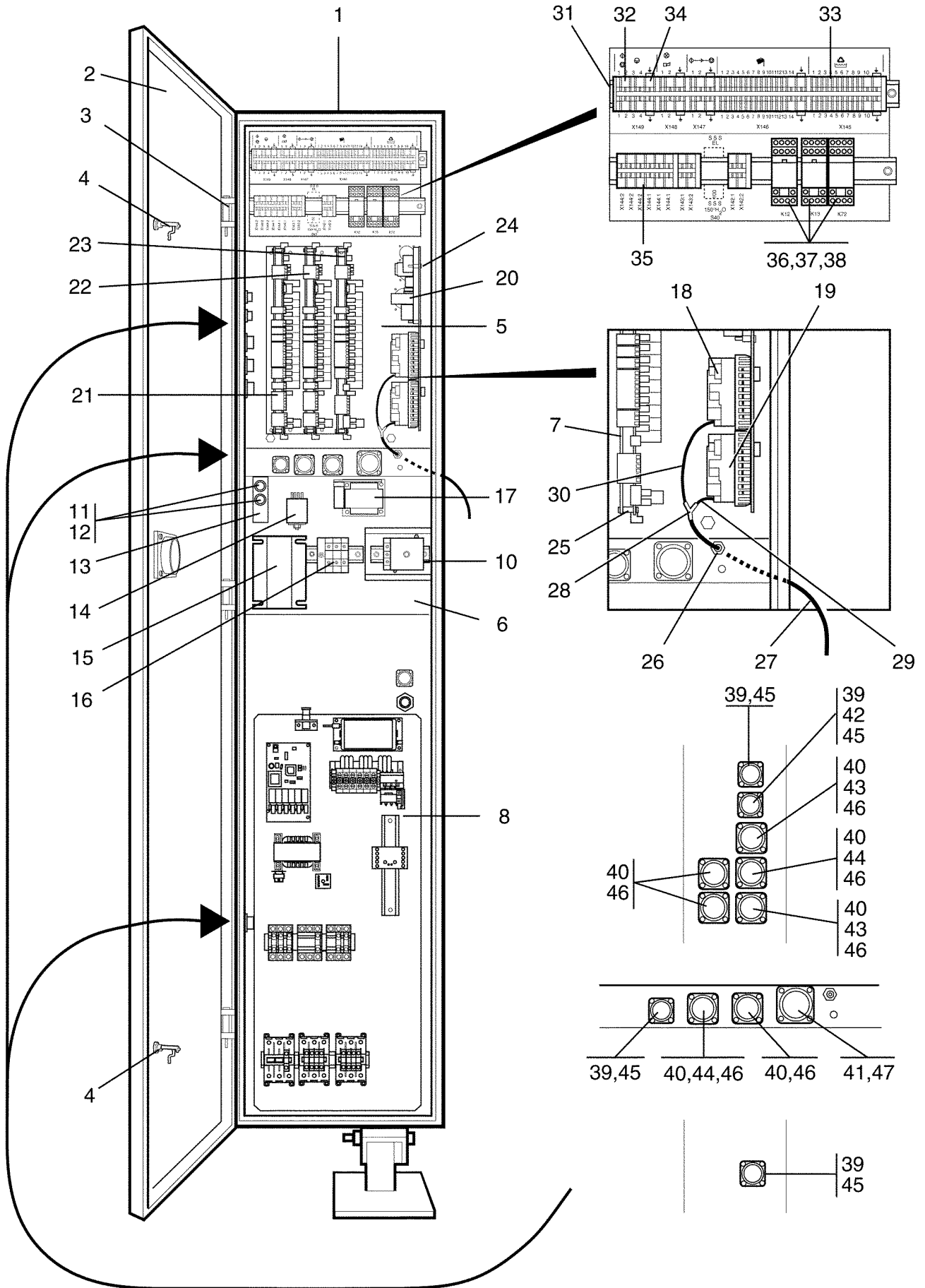
EX-200c

Electric cabinet, front

Armoire électrique, avant

Illustration Issue Month Year
Schéma Issue Month Year
101618/1 5 5 2004

Item Article	Qua. Qua.	Art.No Réf. article	Description	Description	Info Info	Notes Remarques
1	1		Plate	Plaque	3	
2	1	432 0173-01	•Box	•Boîtier	3	
3	1	432 0146-01	••Box	••Boîtier	3	
4	1	432 0143-01	••Door	••Porte	3	
5	2	471 8362-01	••Bracket	••Support de montage	3	
6	2	471 8362-10	•••Screw	•••Vis	3	
7	2	471 8362-20	•••Washer	•••Rondelle	3	
8	2	471 8362-30	•••Washer	•••Rondelle	3	
9	2	471 8362-40	•••Nut	•••Écrou	3	
10	2	471 8362-50	•••Washer	•••Rondelle	3	
11	2	471 8362-60	•••Nut	•••Écrou	3	
12	2	471 7837-01	••Hinge	••Charnière	3	
13	2	471 7837-30	•••Pin	•••Goupille/broche	3	
14	2	471 7837-40	•••Safety cover	•••Revêtement protection	3	
15	2	471 7837-50	•••Screw	•••Vis	3	
16	2	471 7837-60	•••Washer	•••Rondelle	3	
17	1	471 8993-01	Printed circuit board	Carte circuit	1,2	Not configured
	1	432 0801-01	Printed circuit board	Carte circuit	1,2	Steam heated, English
	1	432 0801-03	Printed circuit board	Carte circuit	1,2	Steam heated, Norwegian
	1	432 0801-04	Printed circuit board	Carte circuit	1,2	Steam heated, French
	1	432 0801-05	Printed circuit board	Carte circuit	1,2	Steam heated, Italian
	1	432 0801-06	Printed circuit board	Carte circuit	1,2	Steam heated, Danish
	1	432 0801-07	Printed circuit board	Carte circuit	1,2	Steam heated, Polish
	1	432 0801-08	Printed circuit board	Carte circuit	1,2	Steam heated, USA
	1	432 0801-09	Printed circuit board	Carte circuit	1,2	Steam heated, Dutch
	1	432 0801-10	Printed circuit board	Carte circuit	1,2	Steam heated, German
	1	432 0801-11	Printed circuit board	Carte circuit	1,2	Steam heated, Swedish
	1	432 0801-12	Printed circuit board	Carte circuit	1,2	Steam heated, Finnish
18	4	471 8341-13	Screw	Vis	3	MRT 4X10
19	1	471 8118-01	Hose	Flexible	1	L=1600
20	1	471 8164-00	Grommet	Oeillet	3	D7
21	1	438 7300-40	Cable set	Jeu de câbles	3	
22	1	438 8152-03	Gasket	Joint	3	4-pole AMP
23	1	438 8152-01	Gasket	Joint	3	37-pole AMP
24	1	438 8152-01	Gasket	Joint	3	37-pole AMP
25	8	471 8454-01	Rivet	Rivet	3	
26	1	471 8793-01	Card reader	Lecteur de carte	1	
27	1	432 0150-01	Bracket	Pièce de retenue	3	
28	1	432 0149-01	Rubber cap	Capuchon caoutchouc	3	
29	1	471 8997-03	Display	Affichage	1,2	
30	1	472 5771-01	Control panel	Pupitre de commande	1,2	FLE850MP
31	1	471 9628-22	Emergency stop	Arrêt d'urgence	1	-99/0000127
	1	471 9628-32	Emergency stop	Arrêt d'urgence	1	99/0000128-
32	1	471 9628-90	Socket	Bloc de connexion	1	-99/0000127
	1	471 9628-33	Contact block	Bloc de connexion	1	99/0000128-



Issue	Month	Year
01	06	99

EX-200c

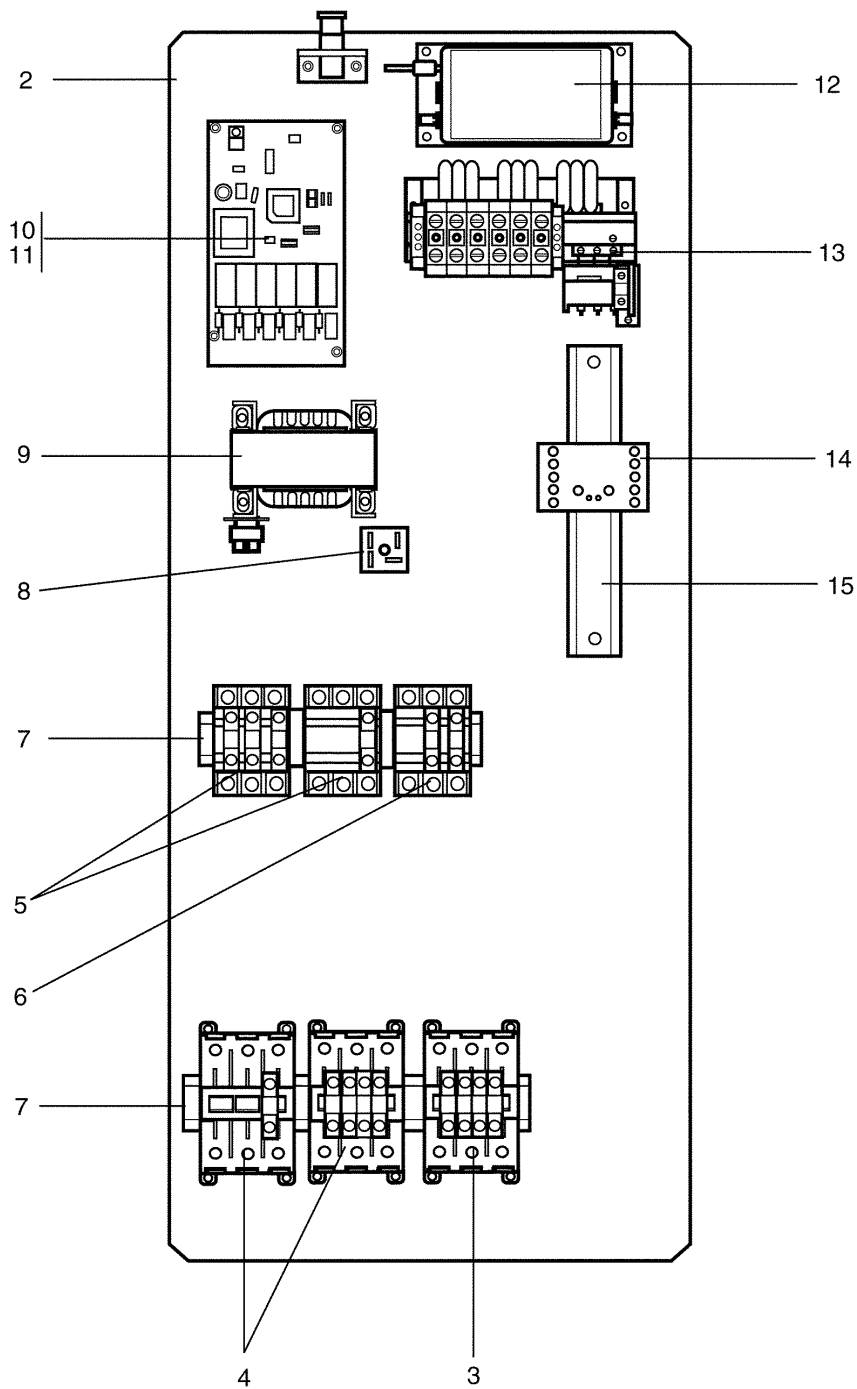
Electric cabinet, rear

Armoire électrique, arrière

Illustration Issue Month Year
Schéma Issue Month Year
101628/1 5 8 2006

Item Article	Qua. Qua.	Art.No Réf. article	Description	Description	Info Info	Notes Remarques
1	1		Electric cabinet	Passage de câbles	3	Complete
2	1	432 0414-01	•Door	•Porte	3	Complete
	1	432 0414-03	•Door	•Porte	3	Grey Complete
3	2	472 7264-01	••Hinged joint	••Assemblage articulé	3	
4	2	471 7830-01	••Lock	••Serrure	3	
5	1	432 0137-01	Component panel	Panneau composants	3	
6	1	432 0138-01	Component panel	Panneau composants	3	
7	4	432 0142-01	Bracket	Support de montage	3	
8	1		Motor module	Motor module		See illustr. 101616
9						Not used
10	1	471 9678-04	Main switch	Main switch	1,2	
	1	471 9678-33	Main switch	Main switch	1,2	380-480V
	1	471 9678-93	•Knob	•Bouton de porte	3	
	1	471 9678-62	Main switch	Main switch	1,2	200-240V
	1	471 9678-95	•Knob	•Bouton de porte	3	
	1	471 9678-01	Main switch	Main switch	1,2	
	1	471 9678-61	Main switch	Main switch	1,2	380-480V
	1	471 9678-95	•Knob	•Bouton de porte	3	
11	2	471 8750-11	Fuse	Porte-fusible	1,2	1,25A
12	2	471 8756-51	Insert	Insertion	1,2	5X20MM
13	1	471 4074-01	Fuse holder	Porte-fusible	1,2	
14	1	471 9529-10	Mains filter	Filtre de fillet	1,2	208-240V
15	1	471 9550-21	Transformer	Transformateur	1	200-415V, not 346V
	1	471 9550-22	Transformer	Transformateur	1	346,440,480V
16	1	471 8762-04	Terminal connection	Bloc de connexion	3	
17	1	471 8792-01	Transformer	Transformateur	1	
18	1	471 8859-07	Level control	Réglage de niveau	1,2	B1
19	1	471 8859-01	Level control	Réglage de niveau	1,2	B2
20	1	438 9555-01	Printed circuit board	Carte circuit	1,2	Door lock B31
21	1	471 8995-11	Printed circuit board	Carte circuit	1,2	I/O-card A3
22	1	471 8995-11	Printed circuit board	Carte circuit	1,2	I/O-card Not configured
	1	471 8995-12	Printed circuit board	Carte circuit	1,2	I/O-card A4
23	1	471 8995-11	Printed circuit board	Carte circuit	1,2	I/O-card Not configured
	1	471 8995-13	Printed circuit board	Carte circuit	1,2	I/O-card A5
24	4	471 7958-01	Support	Support	3	
25	12	438 0299-01	Spacer	Entretoise	3	
26	1	471 8164-00	Grommet	Oeillet	3	D7
27	1	471 2440-40	Hose	Flexible	1	L=1400
28	1	471 2265-69	T-pipe	Tube en T	3	
29	1	471 2449-95	Hose	Flexible	1	L=100
30	1	471 2264-03	Hose	Flexible	1	L=150
31	10	471 8781-11	Block	Cale	3	Orange
32	10	471 8781-01	Block	Cale	3	Grey
33	28	471 8781-02	Block	Cale	3	Orange
34	5	471 8781-03	Block	Cale	3	Yellow/Green
35	5	471 8781-04	Block	Cale	3	Orange
36	3	471 9649-01	Relay	Relais	1,2	
37	3	471 9649-02	Socket	Douille	1,2	
38	3	471 9649-11	Clamp	Bride de fixation	1,2	
39	5	438 8152-03	Gasket	Joint	3	4-pole AMP
40	7	438 8152-02	Gasket	Joint	3	14-pole AMP
41	1	438 8152-01	Gasket	Joint	3	37-pole AMP
42	1	438 7950-01	Cover washer	Rondelle protection	3	4-pole
43	2	438 7950-02	Cover washer	Rondelle protection	3	14-pole
44	2	432 0175-01	Cover washer	Rondelle protection	3	14-pole
45	5		AMP connector	AMP connector	3	4-pole
46	7		AMP connector	AMP connector	3	14-pole
47	1		AMP connector	AMP connector	3	37 pole

1



Issue	Month	Year
01	06	99

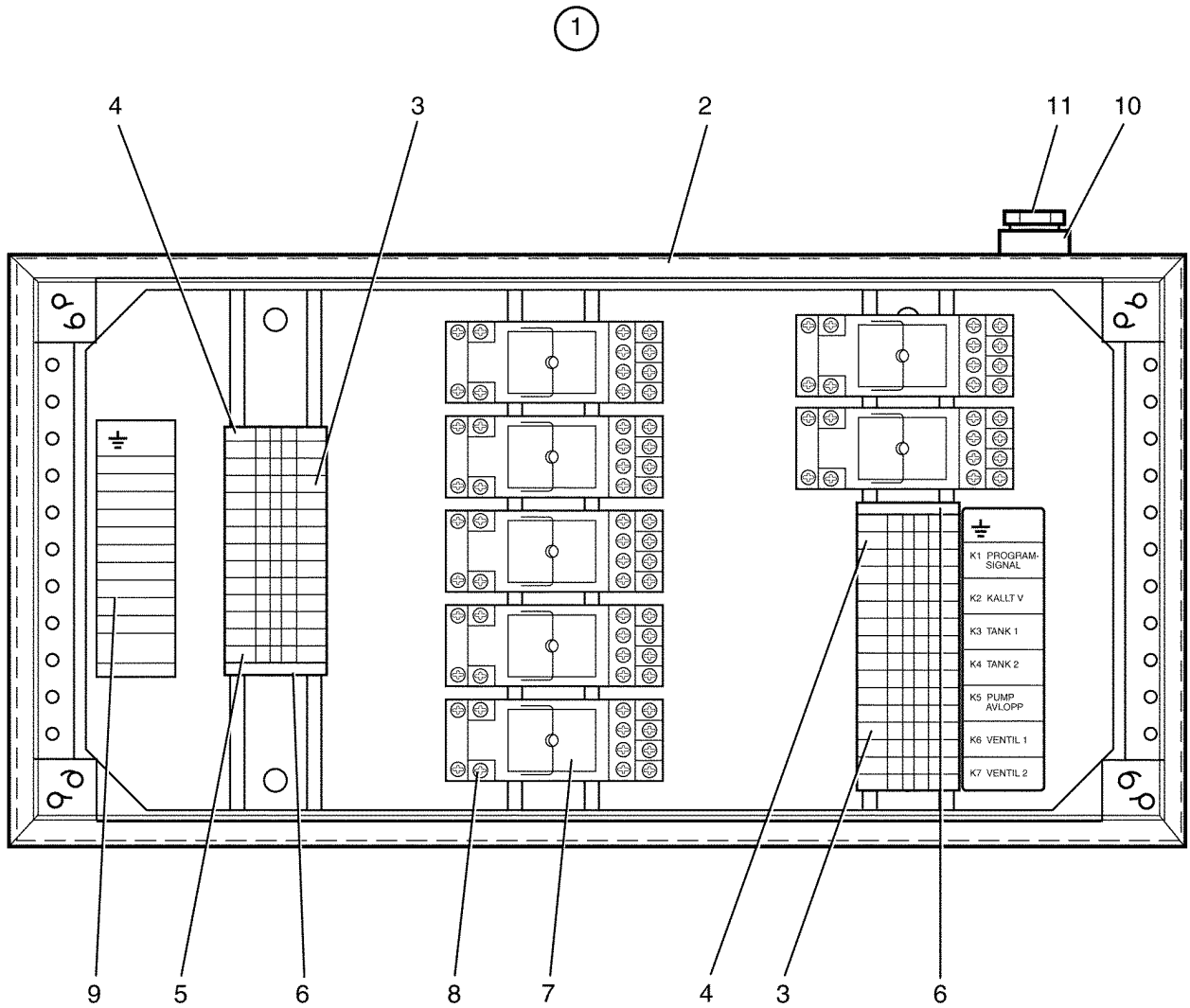
EX-200c

Motor module

Motor module

Illustration Issue Month Year
Schéma Issue Month Year
101616/1 2 10 1999

Item Article	Qua. Qua.	Art.No Réf. article	Description	Description	Info Info	Notes Remarques
1	1	432 0460-01	Motor module	Motor module	3	230V 50Hz Complete
	1	432 0460-03	Motor module	Motor module	3	230V 60Hz Complete
	1	432 0460-02	Motor module	Motor module	3	400V 50Hz Complete
	1	432 0460-04	Motor module	Motor module	3	400V 60Hz Complete
2	1	432 0461-01	•Component panel	•Panneau composants	3	
3	1	471 9638-14	•Contactor	•Relais	1,2	50Hz K2-45
	1	471 9638-13	•Contactor	•Relais	1,2	60Hz K2-45
	1	767 5104-12	•Contactor	•Relais	1,2	
4	1	767 5103-12	•Contactor	•Relais	3	60Hz
	2	471 9638-04	•Contactor	•Relais	1,2	K2-60A, 50Hz
	2	471 9638-03	•Contactor	•Relais	1,2	K2-60A, 60Hz
	2	767 5104-18	•Contactor	•Relais	1,2	K2-30A, 50Hz
5	2	767 5103-18	•Contactor	•Relais	1,2	K2-30A, 60Hz
	2	767 5104-12	•Contactor	•Relais	1,2	
6	1	767 5103-12	•Contactor	•Relais	1,2	60Hz
	1	767 5104-18	•Contactor	•Relais	1,2	K2-30A, 50Hz
7	1	767 5103-18	•Contactor	•Relais	1,2	K2-30A, 60Hz
	1	767 5104-12	•Contactor	•Relais	1,2	
	1	767 5103-12	•Contactor	•Relais	1,2	60Hz
8	RQ	471 7182-14	•Rail	•Support	3	
9	1	471 9577-01	•Rectifier	•Redresseur	1,2	
10	1	471 9550-05	•Transformer	•Transformateur	1	
11	1	471 8992-12	•Printed circuit board	•Carte circuit	1,2	
12	4	471 7958-01	•Support	•Support	3	
13	1	471 9529-06	•LC-filter	•Filtre LC	1	
14	1	471 9604-03	•Mains current breaker	•Disjoncteur	1	200-240V
	1	471 9604-00	•Mains current breaker	•Disjoncteur	1	380-415V
15	1	471 9751-01	•Soft start	•Démarrage en douceur	1	220V
	1	471 9751-02	•Soft start	•Démarrage en douceur	1	380V
15	1	471 7182-14	•Rail	•Support	3	



EX-200c

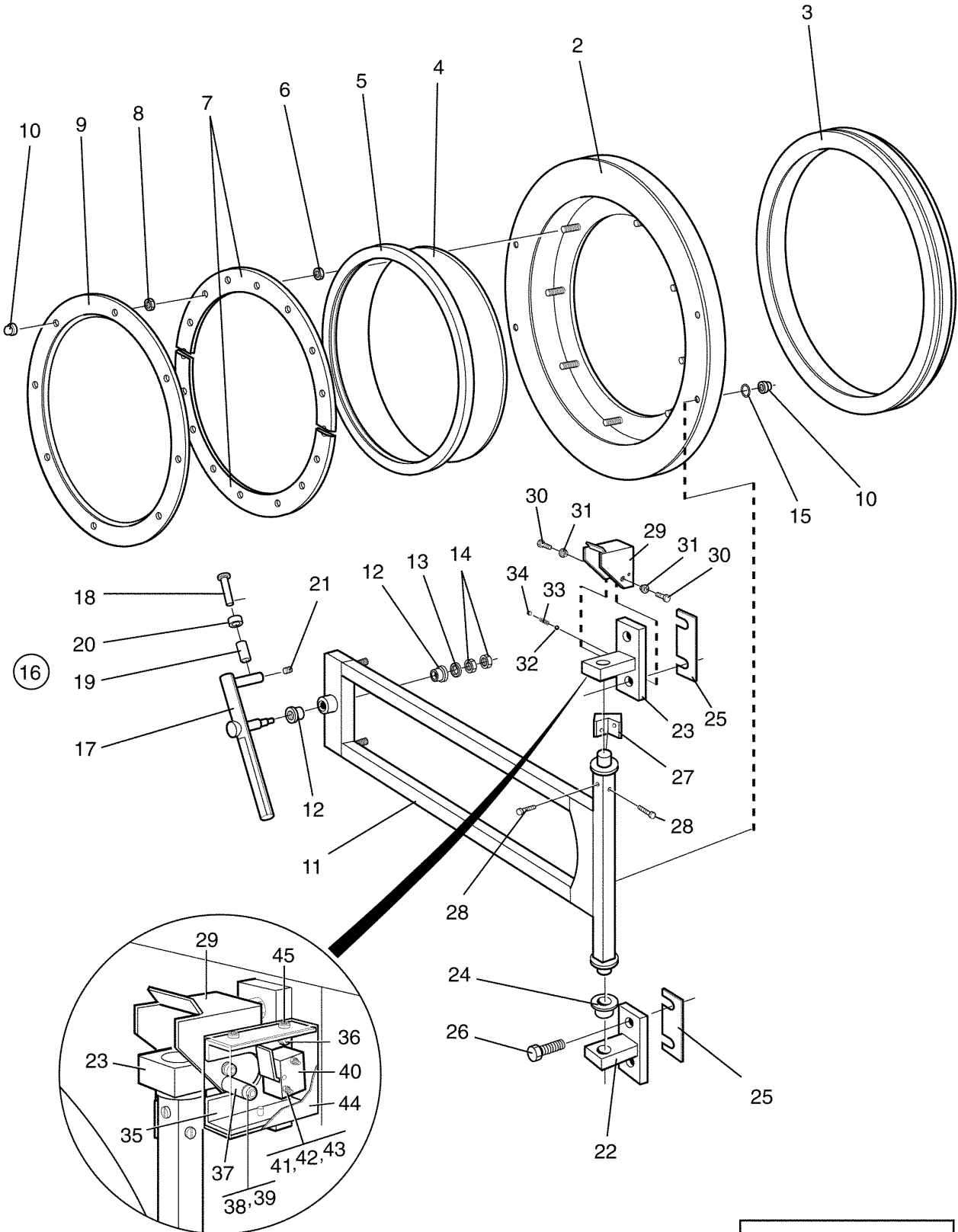
Relay box

Illustration Issue Month Year
Schéma Issue Month Year
101795/1 1 4 2000

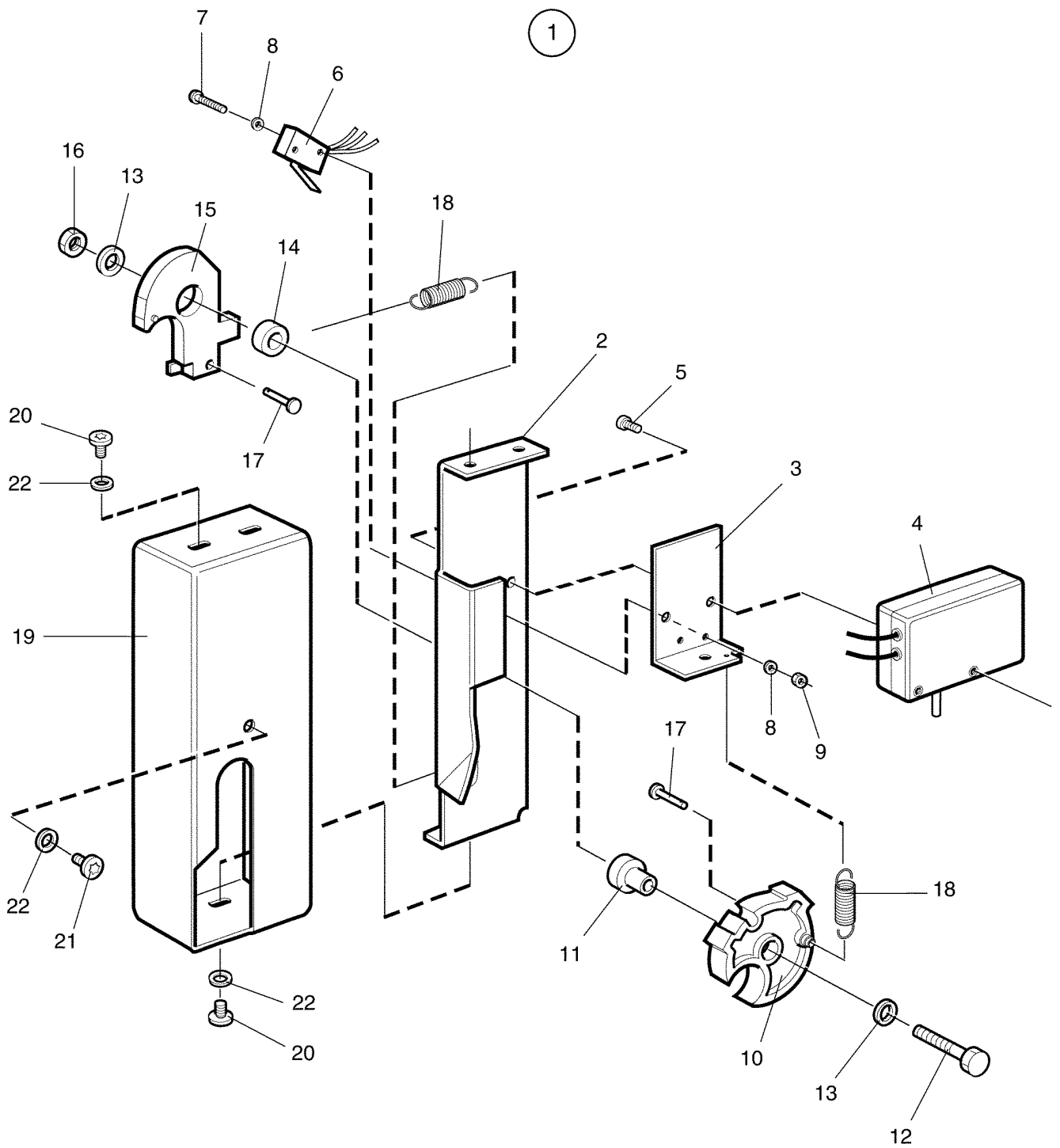
Relay box

Item Article	Qua. Qua.	Art.No Réf. article	Description	Description	Info Info	Notes Remarques
1	1	471 7912-01	Relay box	Relay box	3	Complete
2	1	471 7911-01	•Box	•Boîtier	3	
3	24	471 8781-02	•Block	•Cale	3	Orange
4	2	471 8781-03	•Block	•Cale	3	Yellow/Green
5	1	471 8781-01	•Block	•Cale	3	Grey
6	2	471 8781-11	•Block	•Cale	3	
7	7	471 9649-01	•Relay	•Relais	1,2	
8	7	471 9649-02	•Socket	•Douille	1,2	
9	1	438 0268-01	•Sign	•Signe	3	
10	2	471 8780-05	•Screw fitting	•Vis de raccord	3	
11	1	438 7300-86	•Cables	•Câble	3	

1



EX-200c				Illustration	Issue	Month	Year
Door				Schéma	Issue	Month	Year
Plaque				101426/1	2	10	2000
Item	Qua.	Art.No	Description	Description	Info	Notes	
Article	Qua.	Réf. article			Info	Remarques	
1	1	432 0034-01	Door	Plaque	3	Complete	
2	1	471 5516-03	•Door ring	•Anneau de la porte	3		
3	1	471 5631-00	•Door gasket	•Joint de porte	1,2		
4	1	432 0113-01	•Door glass	•Vitre de la porte	1,2		
5	1	471 5511-01	•Seal	•Joint	1		
6	16	471 5523-00	•Spacer	•Entretoise	3		
7	1	438 4832-01	•Washer	•Rondelle	3		
8	16	731 2316-01	•Nut	•Écrou	3	M6	
9	1	471 5525-01	•Ring	•Anneau	3		
10	16	732 3116-14	•Nut	•Écrou	3	M6	
11	1	472 6208-00	•Frame	•Châssis	3		
12	2	471 9228-98	•Bearing	•Coussinet	1		
13	1	471 2461-40	•Washer	•Rondelle	3		
14	1	732 2120-01	•Locking nut	•Contre-écrou	3	M10	
15	4	734 1153-09	•Washer	•Rondelle	3	BRB 6,4X12	
16	1	432 0029-01	•Handle	•Poignée	3	Complete FLE-MP	
17	1	432 0028-01	••Handle	••Poignée	3	FLE-MP	
18	1	471 2461-25	••Pin	••Goupille	1	FLE-MP	
19	1	471 2461-27	••Pipe	••Tube	3	FLE-MP	
20	1	471 9228-97	••Bearing	••Coussinet	3		
21	1	728 8445-01	••Screw	••Vis	3	SK6SS 8X10	
22	1	472 6211-00	Bracket	Support de montage	3		
23	1	472 9375-01	Hinge mounting	Montage de charnière	3		
24	2	471 9209-24	Bearing	Coussinet	1		
25	2	471 2418-14	Plate	Plaque	3		
26	4	725 2536-42	Screw	Vis	3	M12X30 SS	
27	1	472 9373-01	Door stop	Butée	3		
28	2	471 8344-28	Screw	Vis	3	M5X30	
29	1	472 9361-01	Cover	Couvercle	3		
30	2	725 2327-51	Screw	Vis	3	M5X12	
31	2	471 8577-02	Bushing	Douille	3		
32	1	738 6117-13	Ball	Bille	3		
33	1	471 7803-19	Spring	Ressort	3		
34	1	728 8362-11	Screw	Vis	3		
35	1	432 0151-01	Bracket	Support de montage	3		
36	2	471 8341-22	Screw	Vis	3	MRT 5X8	
37	1	432 0153-01	Pin	Goupille/broche	3		
38	1	471 8341-17	Screw	Vis	3	M4X25	
39	1	734 1136-01	Washer	Rondelle	3	BRB 4,3X9	
40	1	471 9625-02	Microswitch	Microrupteur	1,2		
41	2	471 8341-07	Screw	Vis	3	MRT 3X25	
42	2	734 1124-01	Washer	Rondelle	3	BRB 3X7	
43	2	732 2110-01	Locking nut	Contre-écrou	3	M3	
44	1	432 0152-01	Cover	Couvercle	3		
45	3	471 8341-13	Screw	Vis	3	MRT 4X10	



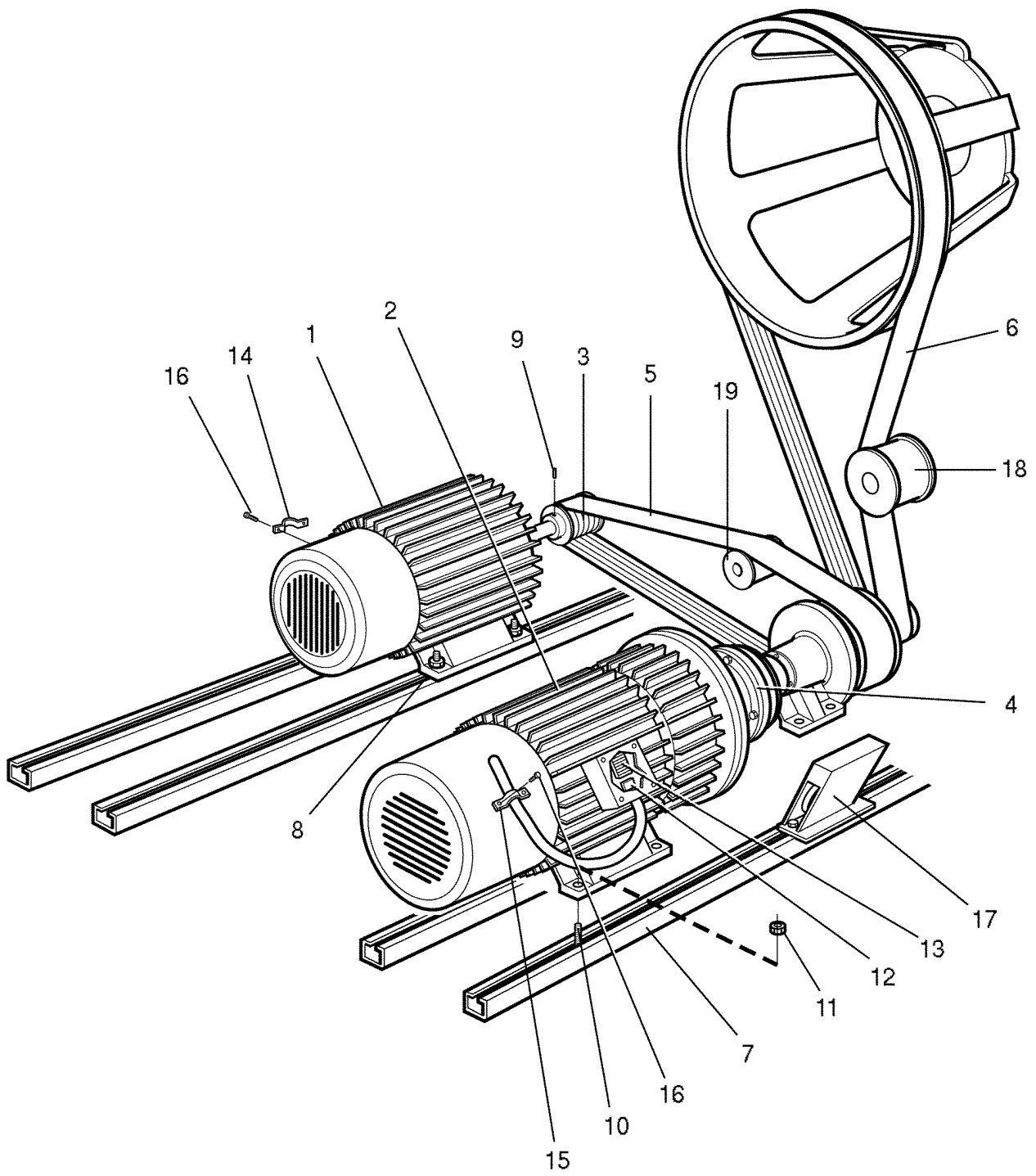
EX-200c

Door lock

Serrure de porte

Illustration Issue Month Year
Schéma Issue Month Year
101487/1 2 3 2000

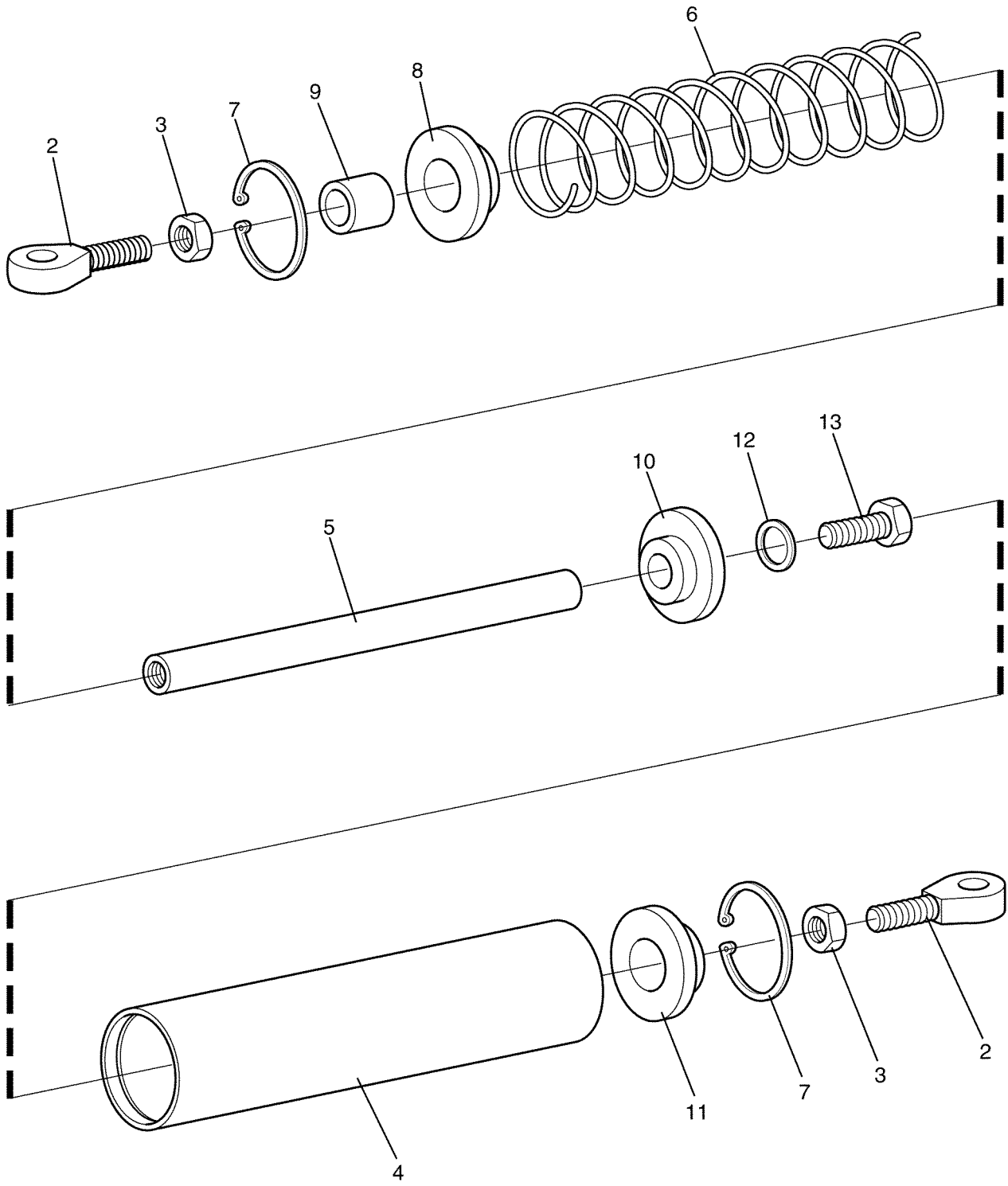
Item Article	Qua. Qua.	Art.No Réf. article	Description	Description	Info Info	Notes Remarques
1	1	432 0170-01	Door locking device	Serrure de porte	1	Complete
2	1	432 0158-01	•Bracket	•Pupitre	3	
3	1	432 0159-01	•Plate	•Plaque	3	
4	1	438 7300-43	•Actuator	•Actuateur	1,2	
5	2	471 8341-24	•Screw	•Vis	3	M5X12
6	1	471 9625-03	•Microswitch	•Microrupteur	1,2	
7	2	471 8341-07	•Screw	•Vis	3	MRT 3X25
8	2	734 1124-01	•Washer	•Rondelle	3	BRB 3X7
9	2	732 2110-01	•Locking nut	•Contre-écrou	3	M3
10	1	432 0161-01	•Wheel	•Roue	1	
11	1	471 7477-01	•Shaft	•Arbre	1	
12	1	725 2461-51	•Screw	•Vis	3	M8X50
13	2	471 8502-14	•Washer	•Rondelle	3	BRB 8,4X17
14	1	471 7476-01	•Bushing	•Douille	3	
15	1	432 0164-01	•Cam	•Came	1	
16	1	731 2318-01	•Nut	•Écrou	3	M8
17	2	471 7976-01	•Bolt	•Boulon	3	
18	2	471 7876-01	•Spring	•Ressort	1	
19	1	432 0167-01	•Cover	•Couvercle	3	
20	3	471 8344-24	•Screw	•Vis	3	M5X12
21	1	471 8345-23	•Screw	•Vis	3	5X10
22	4	734 1146-09	•Washer	•Rondelle	3	BRB 5,3X10



Issue	Month	Year
03	03	00

EX-200c					Illustration	Issue	Month	Year
Motors					Schéma	Issue	Month	Year
Moteurs					101497/1	1	6	1999
Item Article	Qua. Qua.	Art.No Réf. article	Description	Description	Info Info	Notes Remarques		
1	1	471 9228-37	Motor	Moteur	1,2	220V 3AC 50Hz		
	1	471 9223-93	Motor	Moteur	1,2	380-415V 3NAC 50Hz		
	1	471 9228-38	Motor	Moteur	1,2	208-240V 3AC 60Hz		
	1	471 9737-02	Motor	Moteur	1,2	380V 60Hz,		
2	1	471 9228-39	Motor	Moteur	1,2	220V 3AC 50Hz		
	1	471 9223-94	Motor	Moteur	1,2	380-415V 3NAC 50Hz		
	1	471 9228-40	Motor	Moteur	1,2	208-240V 3AC 60Hz		
	1	471 9737-01	Motor	Moteur	1,2	380V 60Hz,		
3	1	471 4231-01	Pulley	Poulie	1			
4	1	472 6914-03	Clutch	Connexion		50Hz		
	1	472 6914-04	Clutch	Connexion		60Hz		
5	1	471 7701-50	V-belt	Courroie trapézoïdale	1,2			
6	1	471 7702-50	V-belt	Courroie trapézoïdale	1,2			
7	2	471 4225-01	Motor mounting	Montage du moteur	3			
8	2	471 4225-02	Motor mounting	Montage du moteur	3			
9	1	728 8489-01	Screw	Vis	3	SK6SS M10X16		
10	8	725 2634-51	Screw	Vis	1	M16X70		
11	8	732 2124-01	Locking nut	Contre-écrou	1	M16		
12	1	762 7412-57	Terminal connection	Bloc de connexion	1			
13	2	762 7202-57	Terminal connection	Bloc de connexion	1	2-pole		
14	1	471 9004-75	Bracket	Support de montage	3			
15	1	471 9004-75	Bracket	Support de montage	3			
16	4	729 9342-61	Screw	Vis	3	4,2X13		
17	1	472 7946-02	Switch	Commutateur	1,2	Complete See illustr. 101632		
18	1	472 6902-02	Belt tensioner	Tendeur de courroie	1	50Hz See illustr. 101631		
	1	472 6902-03	Belt tensioner	Tendeur de courroie	1	60Hz See illustr. 101631		
19	1	472 6902-01	Belt tensioner	Tendeur de courroie	1	See illustr. 100425		

1



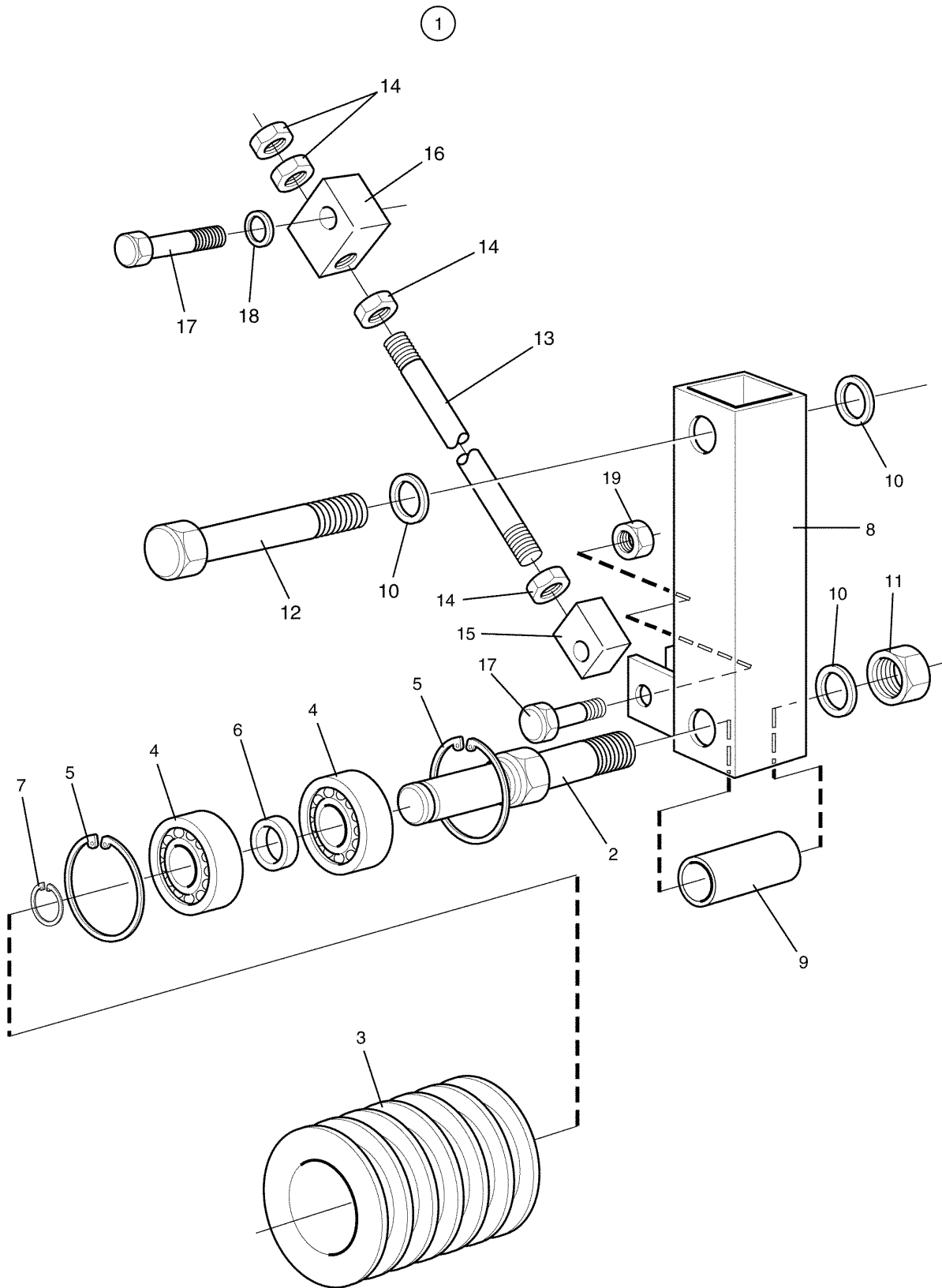
EX-200c

Suspension

Pied à ressorts

Illustration Issue Month Year
Schéma Issue Month Year
100423/1 2 10 1999

Item Article	Qua. Qua.	Art.No Réf. article	Description	Description	Info Info	Notes Remarques
1	1	471 4108-79	Spring strut	Pied à ressorts	1	Complete
2	2	471 9224-60	•Link head	•Tête de liaison	1	
3	2	731 2324-01	•Nut	•Écrou	3	M16
4	1	471 4310-94	•Cylinder	•Cylindre	3	
5	1	471 4310-95	•Shaft	•Arbre	3	
6	1	471 4309-56	•Spring	•Ressort	1	
7	2	735 3154-10	•C-clamp	•Presse à main	3	
8	1	471 4640-71	•End piece	•Pignon	3	
9	1	471 9228-49	•Bearing	•Coussinet	1	
10	1	471 4640-73	•Guide	•Guide	3	
11	1	471 4640-72	•End piece	•Pignon	3	
12	1	471 9018-59	•Washer	•Rondelle	3	
13	1	725 2624-51	•Screw	•Vis	3	M16X30



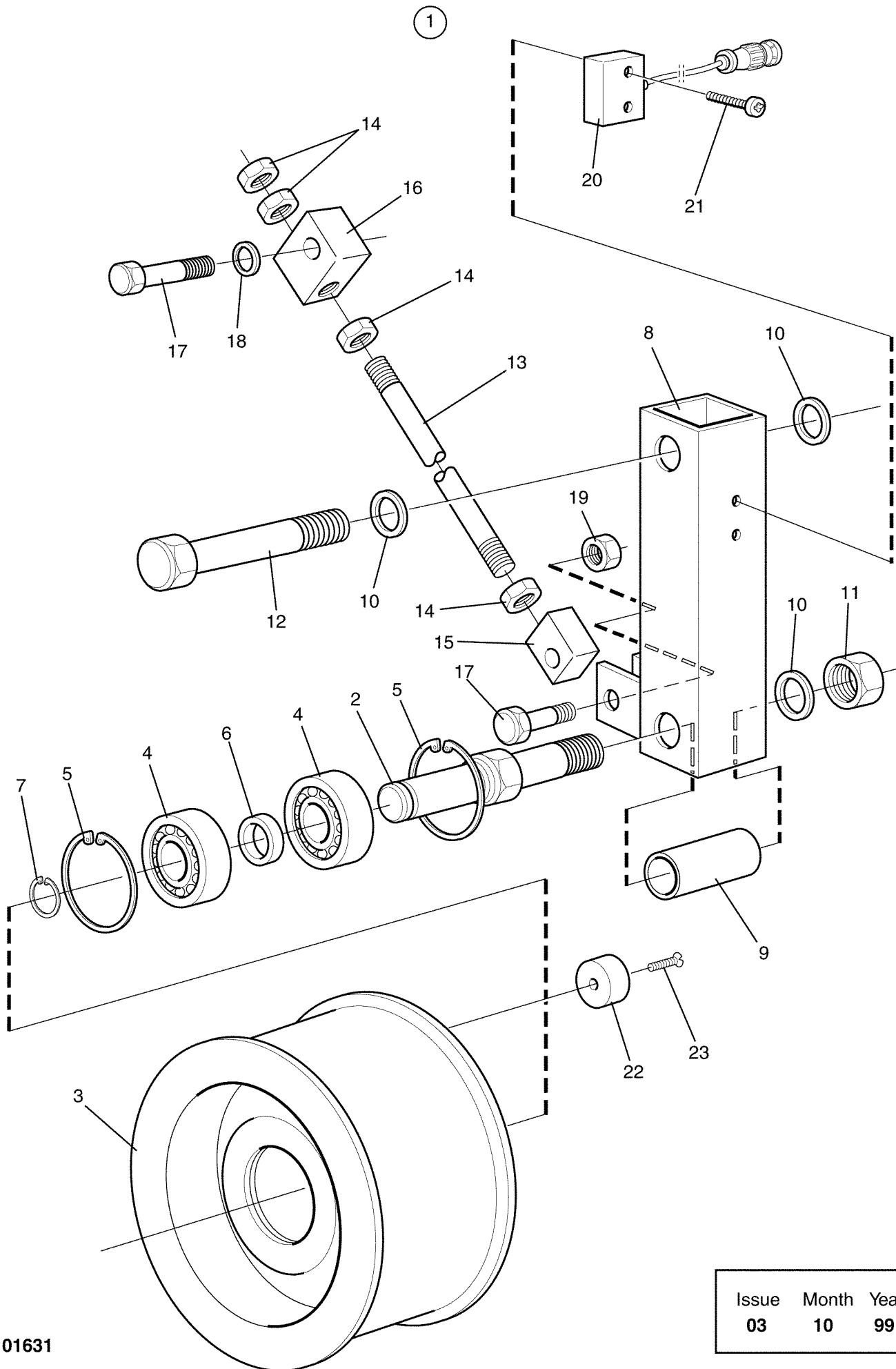
EX-200c

Belt tensioner wash

Tendeur de courroie de lavage

Illustration Issue Month Year
Schéma Issue Month Year
100425/1 1 6 1999

Item Article	Qua. Qua.	Art.No Réf. article	Description	Description	Info Info	Notes Remarques
1	1	472 6902-01	Belt tensioner	Tendeur de courroie	1	Complete
2	1	472 6903-01	•Shaft	•Arbre	3	
3	1	471 4232-01	•Pulley	•Poulie	1	
4	2	738 2104-03	•Bearing	•Coussinet	1	
5	1	735 3138-10	•Circlip	•Attache en forme C	3	SGH42
6	1	471 4634-37	•Spacer	•Entretoise	3	
7	1	735 3122-00	•C-clamp	•Presse à main	3	SGA20
8	1	472 6904-01	•Arm	•Bras	3	50Hz
9	2	472 6907-01	•Spacer	•Entretoise	3	
10	4	734 1186-01	•Washer	•Rondelle	3	BRB 17X30
11	1	732 2124-01	•Locking nut	•Contre-écrou	3	M16
12	1	725 2640-51	•Screw	•Vis	3	M16X100
13	1	471 2277-92	•Screw	•Vis	3	
14	4	731 2320-01	•Nut	•Écrou	3	M10
15	1	471 2277-91	•Bracket	•Support de montage	3	
16	1	471 2277-86	•Bracket	•Support de montage	3	
17	2	725 2497-51	•Screw	•Vis	3	M10X35
18	1	734 1173-01	•Washer	•Rondelle	3	BRB 10,5X21
19	1	731 2120-01	•Nut	•Écrou	3	M10



101631

Issue	Month	Year
03	10	99

EX-200c

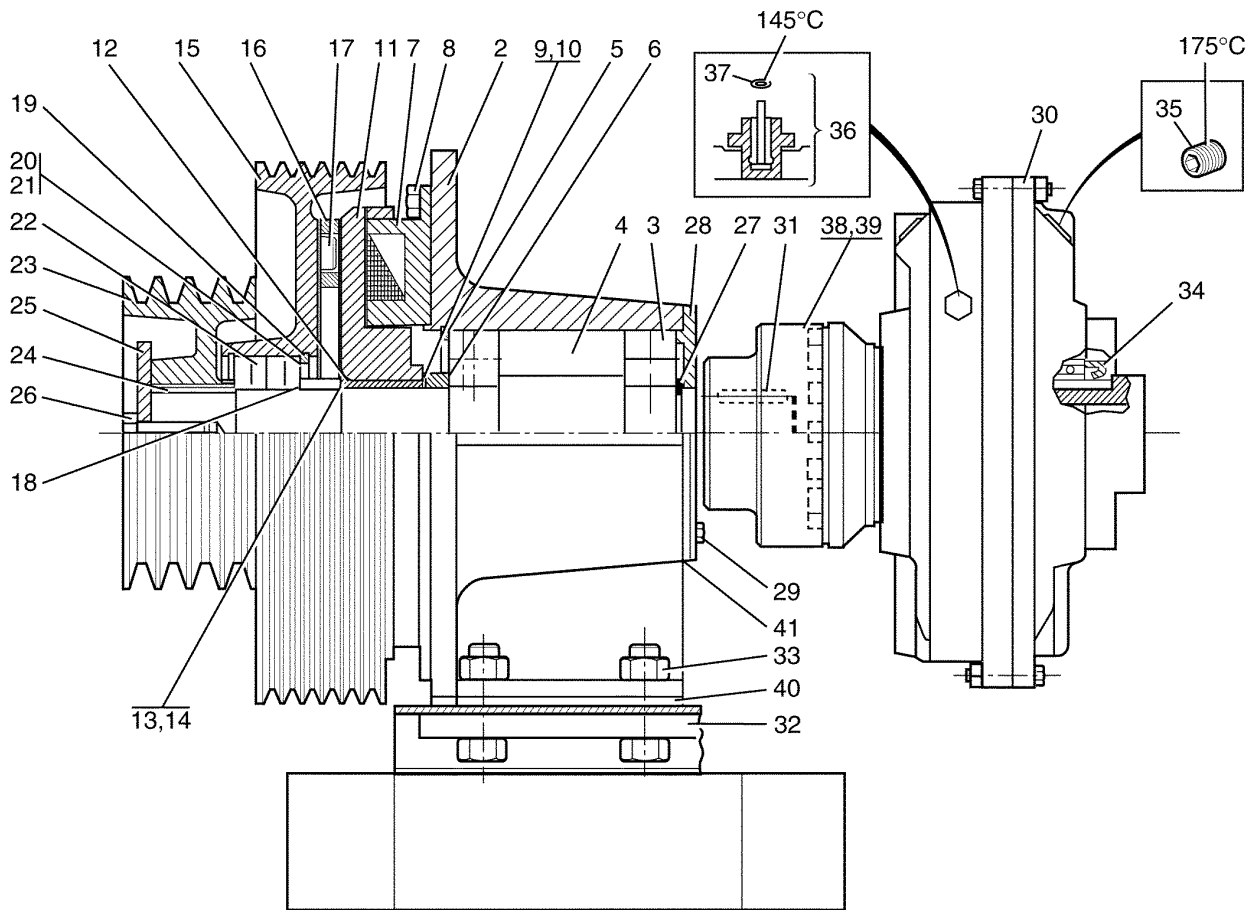
Belt tensioner centrifugal

Tendeur de courroie essorage

Illustration Issue Month Year
Schéma Issue Month Year
101631/1 4 11 2000

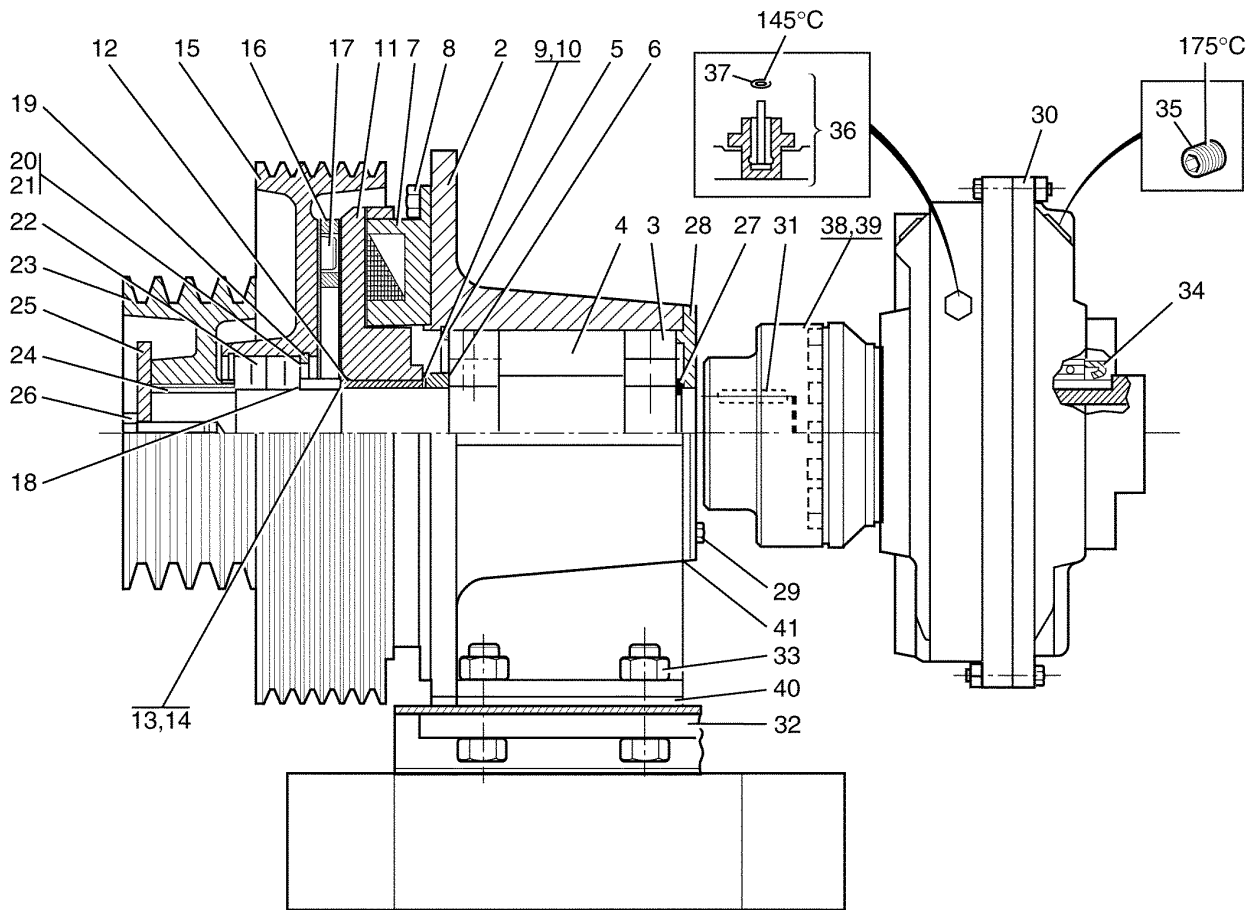
Item Article	Qua. Qua.	Art.No Réf. article	Description	Description	Info Info	Notes Remarques
1	1	472 6902-02	Belt tensioner	Tendeur de courroie	1	50Hz Complete
	1	472 6902-03	Belt tensioner	Tendeur de courroie	1	60Hz Complete
2	1	472 6903-01	•Shaft	•Arbre	3	
3	1	471 4234-01	•Pulley	•Poulie	1	
4	2	738 2304-33	•Ball bearing	•Roulement à billes	1	
5	2	735 3143-10	•C-clamp	•Presse à main	3	SGH52
6	1	471 4634-36	•Spacer	•Entretoise	3	
7	1	735 3122-00	•C-clamp	•Presse à main	3	SGA20
8	1	472 6904-01	•Arm	•Bras	3	50Hz
	1	472 6904-02	•Arm	•Bras	3	60Hz
9	2	472 6907-01	•Spacer	•Entretoise	3	
10	4	734 1186-01	•Washer	•Rondelle	3	BRB 17X30
11	1	732 2124-01	•Locking nut	•Contre-écrou	3	M16
12	1	725 2640-51	•Screw	•Vis	3	M16X100
13	1	471 2277-92	•Screw	•Vis	3	
14	4	731 2320-01	•Nut	•Écrou	3	M10
15	1	471 2277-91	•Bracket	•Support de montage	3	
16	1	471 2277-86	•Bracket	•Support de montage	3	
17	2	725 2497-51	•Screw	•Vis	3	M10X35
18	1	734 1173-01	•Washer	•Rondelle	3	BRB 10,5X21
19	1	731 2120-01	•Nut	•Écrou	3	M10
20	1	438 7300-72	Speed control	Contrôle vitesse	1,2	
21	2	471 8341-17	Screw	Vis	3	M4X25
22	2	471 9202-12	Magnet	Aimant	1,2	Blue
	1	471 9202-11	Magnet	Aimant	1,2	Red
23	1	471 8348-17	Screw	Vis	3	M4X20

1



EX-200c							
Clutch				Illustration	Issue	Month	Year
Connexion				Schéma	Issue	Month	Year
				100432/1	3	3	2000
Item	Qua.	Art.No	Description	Description	Info	Notes	
Article	Qua.	Réf. article			Info	Remarques	
1	1	472 6914-03	Clutch	Connexion	1	50Hz Complete -99/0000110 99/0000112-0000116 99/0000119-0000125	
	1	472 6914-05	Clutch	Connexion	1	50Hz Complete 99/0000111 99/0000117 99/0000118 99/0000126-	
	1	472 6914-04	Clutch	Connexion	1	60Hz Complete -99/0000110 99/0000112-0000116 99/0000119-0000125	
	1	472 6914-06	Clutch	Connexion	1	60Hz Complete 99/0000111 99/0000117 99/0000118 99/0000126-	
2	1	472 6892-01	•Bearing housing	•Logement de palier	3		
3	2	738 2311-34	•Ball bearing	•Roulement à billes	1		
4	1	471 4237-03	•Shaft	•Arbre	1		
5	1	735 3171-10	•C-clamp	•Presse à main		SGH120	
6	1	472 6893-01	•Spacer	•Entretoise	1		
7	1	471 9552-13	•Magnet	•Aimant	1,2		
8	4	725 5493-01	•Screw	•Vis	1	M10X25	
9	4	471 8519-03	•Washer	•Rondelle	1		
10	4	471 8519-04	•Washer	•Rondelle	1		
11	1	471 9552-12	•Rotor	•Rotor	1,2		
12	1	735 9561-00	•Wedge	•Poulie courroie V	1		
13	4	471 8519-05	•Washer	•Rondelle	1		
14	4	471 8519-06	•Washer	•Rondelle	1		
15	1	471 4235-01	•Pulley	•Poulie	1		
16	1	471 9552-11	•Pressure plate	•Plaque de pression	1,2		
17	4	471 8319-01	•Screw	•Vis	1	M12X25	
18	1	471 4633-86	•Spacer	•Entretoise	1		
19	2	735 3160-10	•C-clamp	•Presse à main	1	SGH90	
20	3	471 8519-01	•Washer	•Rondelle	1		
21	3	471 8519-02	•Washer	•Rondelle	1		
22	2	738 2210-18	•Ball bearing	•Roulement à billes	1,2		
23	1	471 4233-01	•Pulley	•Poulie	1	50Hz	
	1	471 4230-01	•Pulley	•Poulie	1	60Hz	
24	1	471 9219-52	•Wedge	•Poulie courroie V	1		
25	1	471 2417-19	•Washer	•Rondelle	1		
26	1	725 2540-51	•Screw	•Vis	1	M12X40	
27	1	735 3144-00	•C-clamp	•Presse à main	1	SgA55	
28	1	472 6891-01	•Bearing cover	•Chapeau de palier	3		
29	6	725 2368-51	•Screw	•Vis	1	M6X16	
30	1	471 9557-02	•Clutch	•Embrayage	1	-99/0000110 99/0000112- 0000116 99/0000119-0000125	
	1	471 9557-03	•Clutch	•Connexion	1	99/0000111 99/0000117 99/0000118 99/0000126-	
31	1	735 9435-01	•Wedge	•Poulie courroie V	1		
32	2	471 4225-03	•Bracket	•Support de montage	1		
33	6	732 2124-01	•Locking nut	•Contre-écrou	1	M16	
34	1	471 9557-51	•Gasket kit	•Pochette de joints	1		
35	1	471 8775-03	•Melt fuse	•Fusible	1	175°C	
36	1	471 8776-01	•Melt fuse	•Fusible	1		
	1	472 7963-01	•Tool	•Outil	1,2	TOOL FOR MELT FUSE	
37	1	471 8775-04	•Fuse	•Porte-fusible	1,2	145°C	
38	1	471 9557-53	•Clutch	•Embrayage	1,2		
39	1	471 6696-93	•Repair kit	•Kit de réparation	1		
40	RQ	471 9043-01	Washer	Rondelle	3		
41	RQ	471 8519-14	Spacer washer	Rondelle écartement	3		
42		874 6611-01	Hydraulic fluid	Huile hydraulique	1,2	2,7L SHELL TEGULA BP ENERGOL HLP65	

1



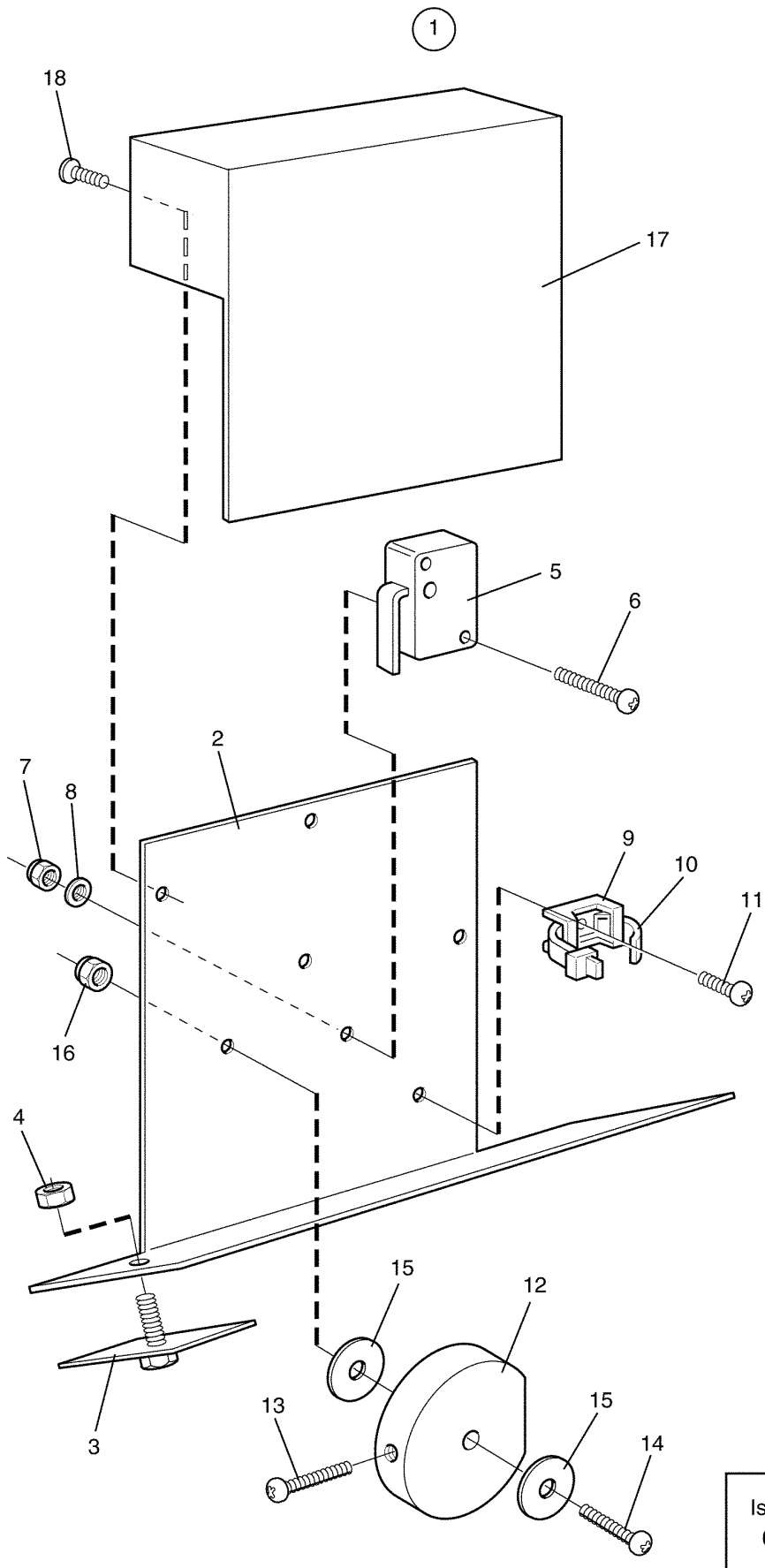
EX-200c

Clutch

Connexion

Illustration	Issue	Month	Year
Schéma	Issue	Month	Year
100432/1	3	3	2000

Item Article	Qua. Qua.	Art.No Réf. article	Description	Description	Info Info	Notes Remarques
						ESSO TERESSO N45 ARAL HTV



Issue	Month	Year
02	05	99

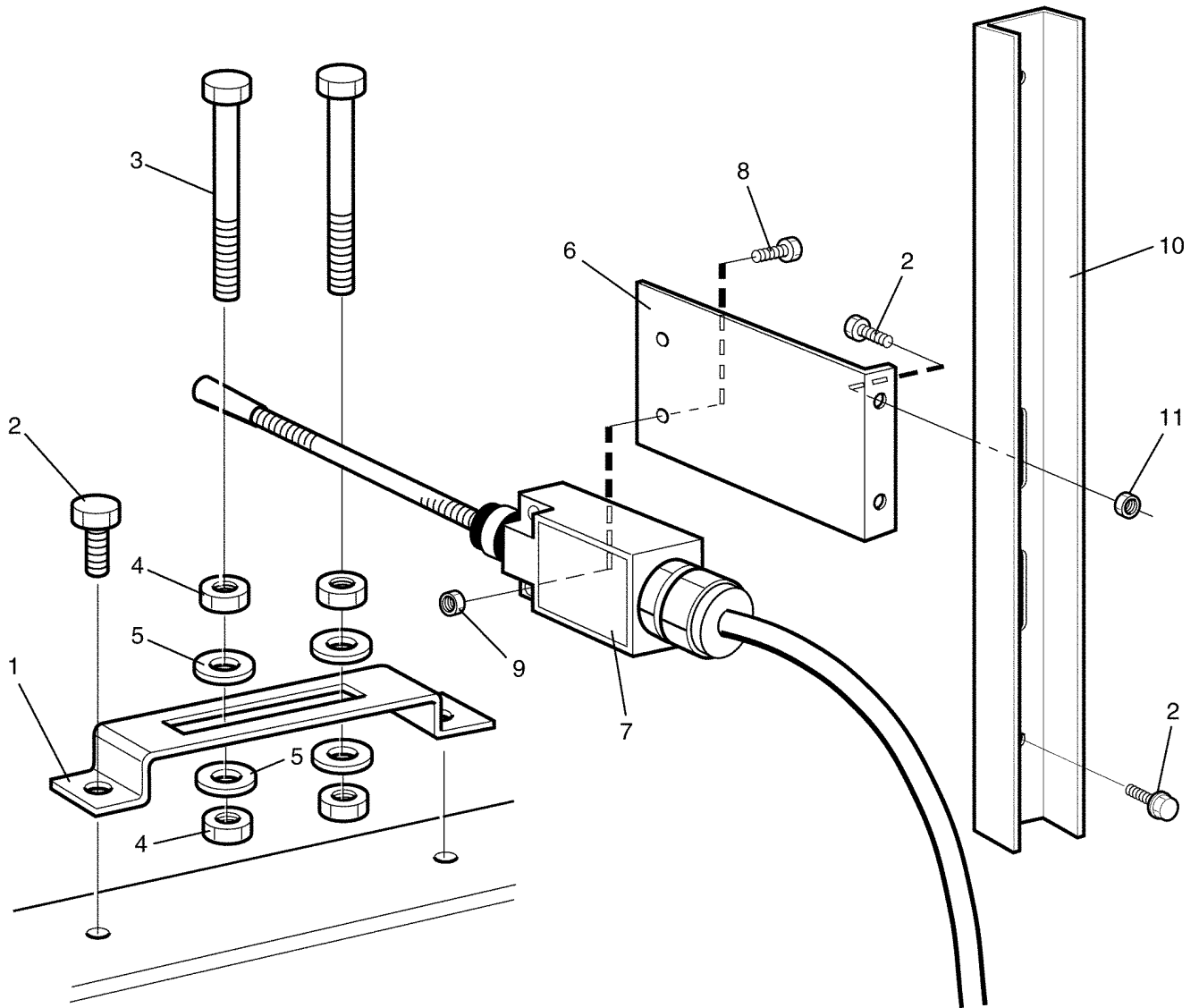
EX-200c

Switch for hydraulic coupling

Commutateur, connexion hydraulique

Illustration Issue Month Year
Schéma Issue Month Year
101632/1 2 7 1999

Item Article	Qua. Qua.	Art.No Réf. article	Description	Description	Info Info	Notes Remarques
1	1	472 7946-02	Switch	Commutateur	1,2	Complete
2	1	472 7948-01	•Plate	•Tableau	3	
3	2	472 7950-01	•Bracket	•Support de montage	3	
4	2	732 2116-01	•Locking nut	•Contre-écrou	3	M6
5	1	471 9625-03	•Microswitch	•Microrupteur	1,2	
6	2	471 8341-07	•Screw	•Vis	3	MRT 3X25
7	2	732 2110-01	•Locking nut	•Contre-écrou	3	M3
8	2	734 1124-01	•Washer	•Rondelle	3	BRB 3X7
9	1	471 9004-75	•Bracket	•Support de montage	3	
10	1	762 9105-05	•Cable strap	•Serre-câble	3	
11	1	471 8341-11	•Screw	•Vis	3	MRT 4X6
12	1	472 7947-02	•Pulley	•Roue	3	
13	1	471 8341-19	•Screw	•Vis	3	M4X40
14	1	471 8341-17	•Screw	•Vis	3	M4X25
15	2	734 1808-51	•Washer	•Rondelle	3	NB 5X16
16	1	732 2112-01	•Locking nut	•Contre-écrou	3	M4
17	1	472 7949-01	•Cover	•Couvercle	3	
18	3	471 8342-04	•Screw	•Vis	3	MRT-TT 3X12



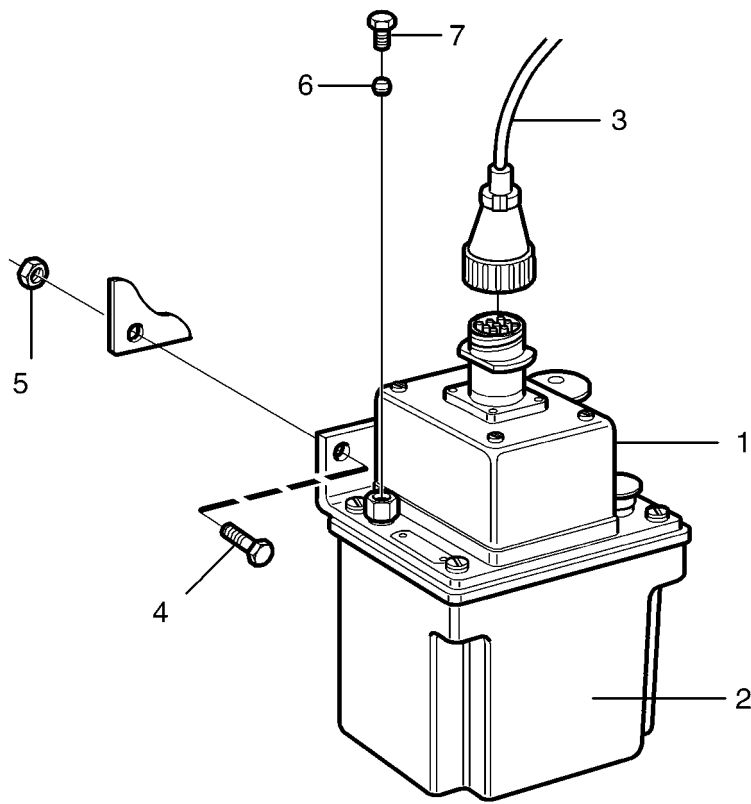
EX-200c

Out of balance switch

Commutateur asymétrique

Illustration Issue Month Year
Schéma Issue Month Year
101498/1 2 7 1999

Item Article	Qua. Qua.	Art.No Réf. article	Description	Description	Info Info	Notes Remarques
1	1	471 4641-10	Bracket	Support de montage	3	
2	2	725 2366-61	Screw	Vis	3	M6SF 6X12
3	1	725 2466-51	Screw	Vis	3	M8X75
4	4	732 2118-01	Locking nut	Contre-écrou	3	M8
5	4	471 8502-14	Washer	Rondelle	3	BRB 8,4X17
6	1	471 4641-08	Bracket	Support de montage	3	
7	1	471 9608-01	Out of balance switch	Commutateur asymétrique	1,2	
8	2	724 1337-01	Screw	Vis	3	M5X35
9	2	731 2314-01	Nut	Écrou	3	M5
10	1	472 6390-02	U-section	Fer en forme de U	3	
11	2	732 2116-01	Locking nut	Contre-écrou	3	M6



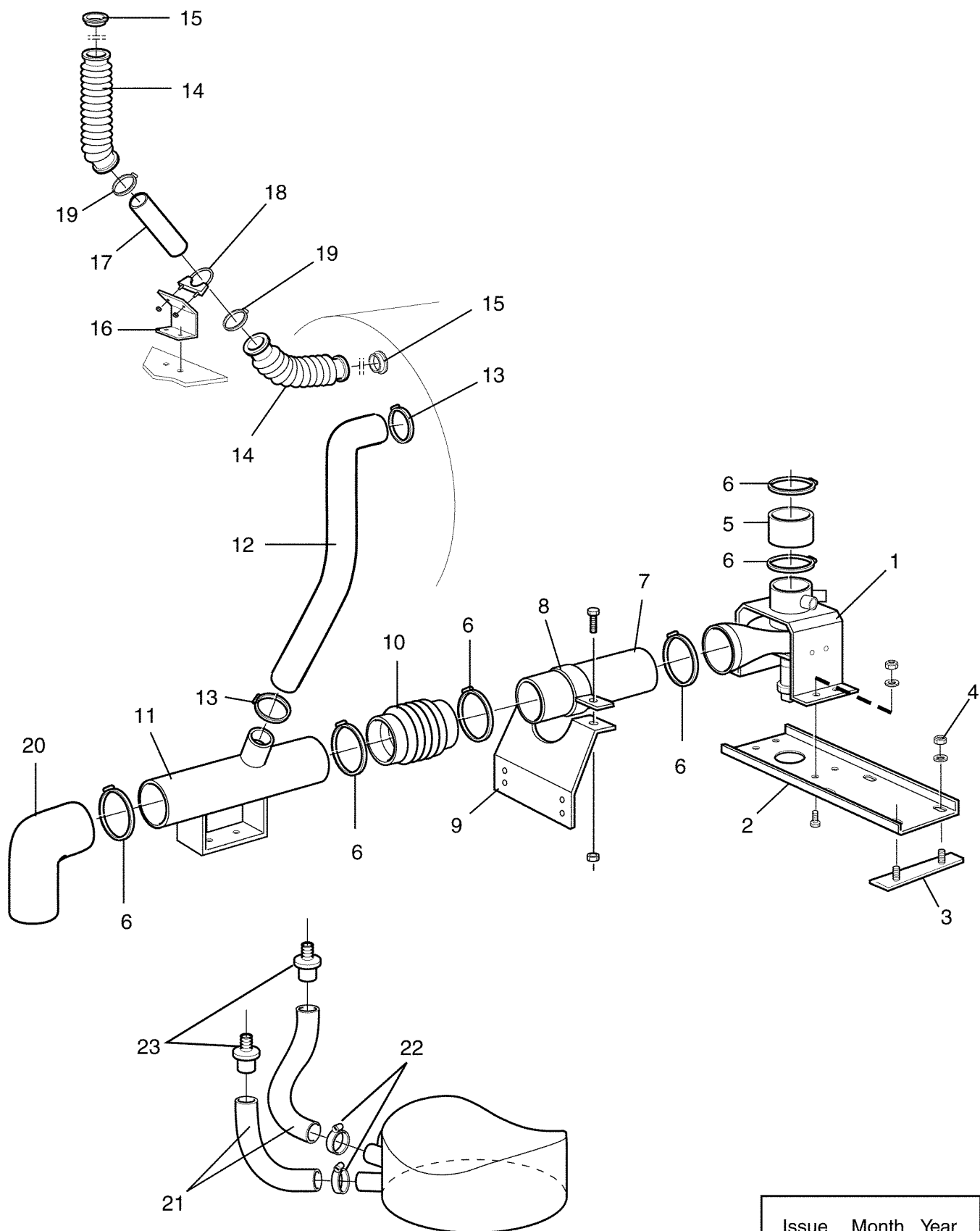
EX-200c

Lubrication

Lubrification

Illustration Issue Month Year
Schéma Issue Month Year
102557/1 1 2 2008

Item Article	Qua. Qua.	Art.No Réf. article	Description	Description	Info Info	Notes Remarques
1	1	471 8260-11	Pump	Pompe	1	50/60Hz
	1	471 6870-11	•Level control	•Réglage de niveau	1,2	
	1	471 8260-56	•Container	•Conteneur	1	
2	RQ	471 7433-01	Oil	Huile	1,2	
3	1	438 7300-93	Cable set	Jeu de câbles	3	
4	2	471 8341-24	Screw	Vis	3	M5X12
5	2	732 2114-01	Locking nut	Contre-écrou	3	M5
6	1	471 8260-91	Cone	Cône	3	
7	1	471 8260-90	Bushing	Douille	3	



101647

Issue	Month	Year
03	10	99

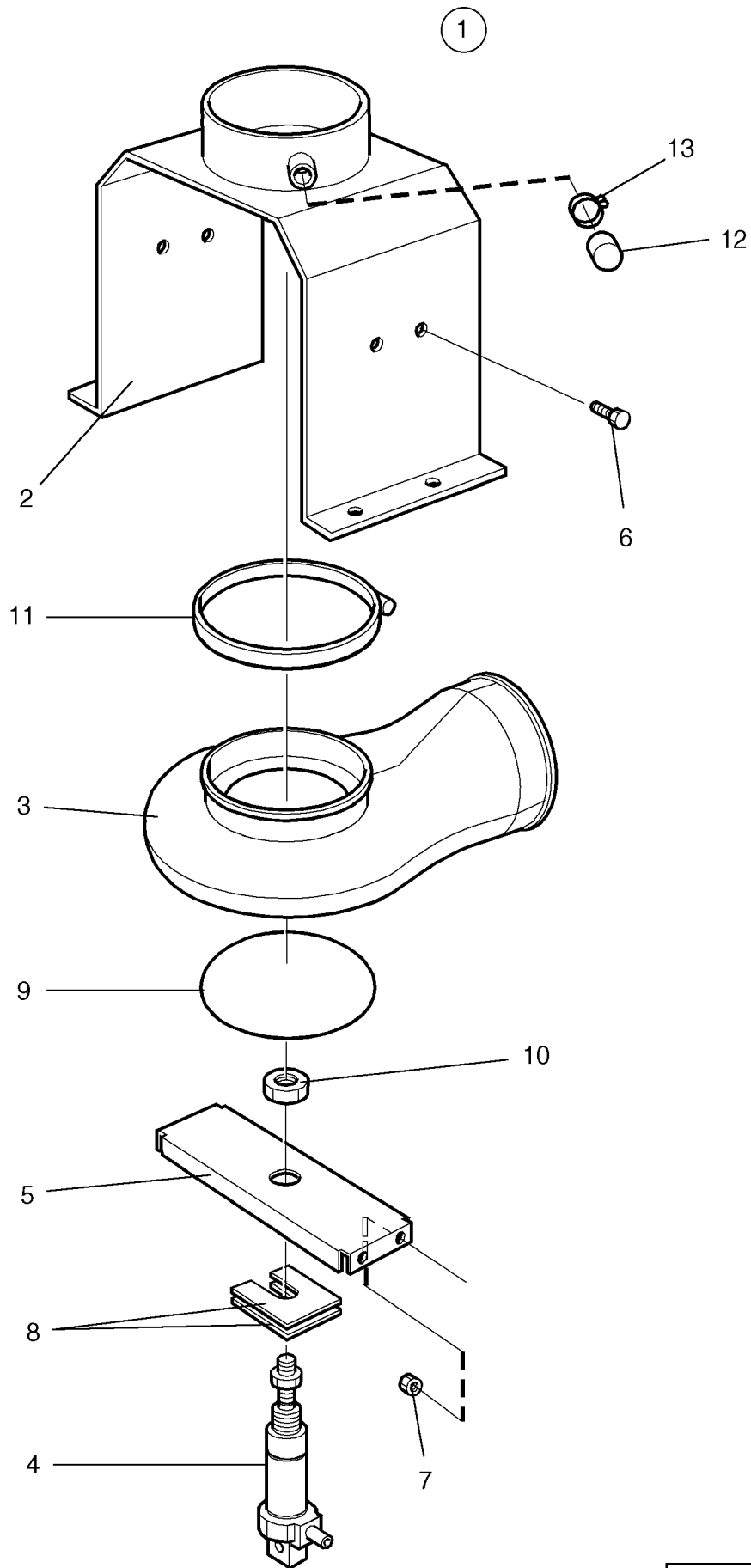
EX-200c

Drain valve and hoses

Purgeur et flexible

Illustration Issue Month Year
Schéma Issue Month Year
101647/1 3 10 1999

Item Article	Qua. Qua.	Art.No Réf. article	Description	Description	Info Info	Notes Remarques
1	1	438 4982-01	Drain valve	Vanne de vidange	1,2	See illustr. 101432
2	1	432 0478-01	Bracket	Support de montage	3	
3	2	471 4225-03	Bracket	Support de montage	3	
4	4	732 2124-01	Locking nut	Contre-écrou	3	M16
5	1	471 8128-55	Hose	Flexible	1,2	
6	6	736 2855-51	Hose clamp	Attache flexible	3	Ø138
7	1	471 8613-07	Drain pipe	Tuyau d'écoulement	3	
8	2	471 7855-02	Clamp	Attache	3	
9	1	432 0032-01	Bracket	Pièce de retenue	3	
10	1	438 4972-01	Hose	Flexible	1	
11	1	432 0486-01	Drain	Écoulement	3	
12	1	471 4005-90	Hose	Flexible	1,2	
13	2	736 2849-51	Hose clamp	Attache flexible	3	Ø77-93
14	2	472 6025-00	Hose	Flexible	1,2	
15	2	472 6024-00	Ring	Anneau	3	
16	1	432 0440-01	Bracket	Pièce de retenue	3	
17	1	471 8613-08	Pipe	Tube	3	
18	1	471 7858-07	Clamp	Attache	3	2"
19	2	736 2840-51	Hose clamp	Attache flexible	3	Ø50-63
20	1	432 0047-01	Hose	Flexible	3	
21	2	471 4391-01	Hose	Flexible	1	
22	2	736 2840-51	Hose clamp	Attache flexible	3	Ø50-63
23	2	471 2260-95	Nipple	Raccord	3	



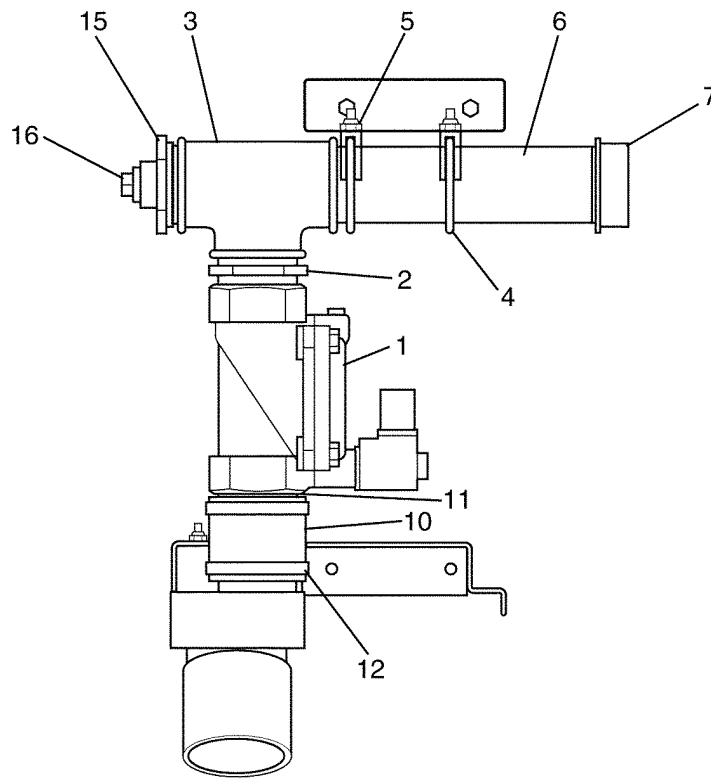
EX-200c

Drain valve

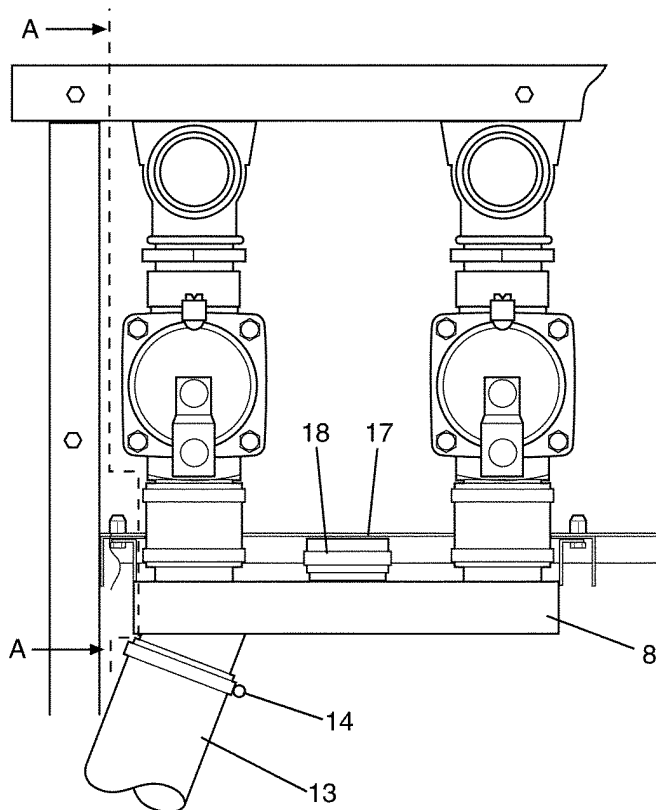
Vanne de vidange

Illustration Issue Month Year
Schéma Issue Month Year
101432/3 2 7 1999

Item Article	Qua. Qua.	Art.No Réf. article	Description	Description	Info Info	Notes Remarques
1	1	438 4982-01	Drain valve	Vanne de vidange	1	Complete
2	1	438 4951-01	•Housing	•Logement	3	
3	1	438 4921-01	•Hose	•Flexible	1,2	
4	1	471 8281-01	•Air cylinder	•Air cylinder	1,2	
5	1	438 4961-01	•Bracket	•Bride	3	
6	4	725 2366-61	•Screw	•Vis	3	M6SF 6X12
7	4	732 2116-01	•Locking nut	•Contre-écrou	3	M6
8	2	432 0067-01	•Washer	•Rondelle	3	
9	2	438 4924-01	•Pressure plate	•Plaque de pression	3	
10	1	732 2118-01	•Locking nut	•Contre-écrou	3	M8
11	1		•	•	3	
12	1	471 9037-73	•Sleeve	•Manchon	3	
13	1	736 2816-51	•Hose clamp	•Attache flexible	3	Ø13-19



Snitt A - A



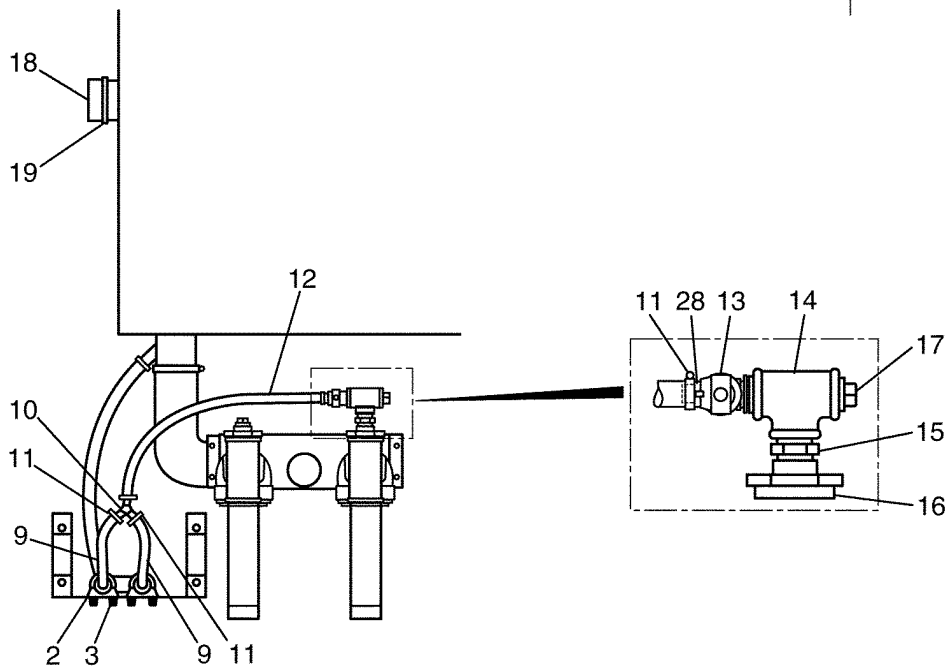
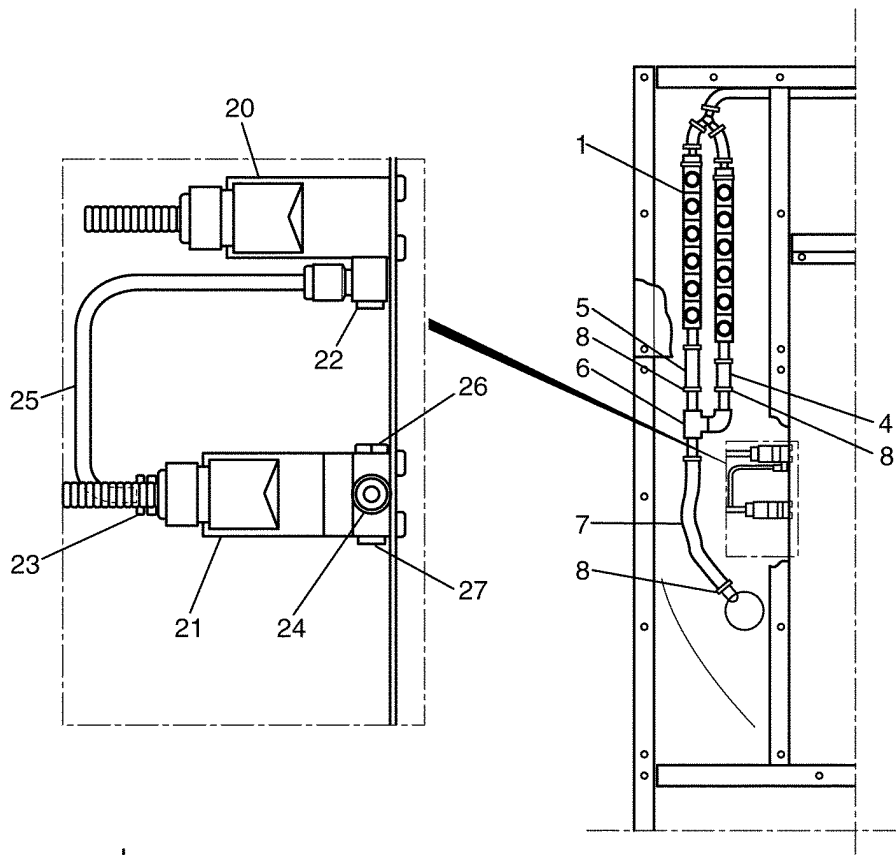
EX-200c

Water alternatives

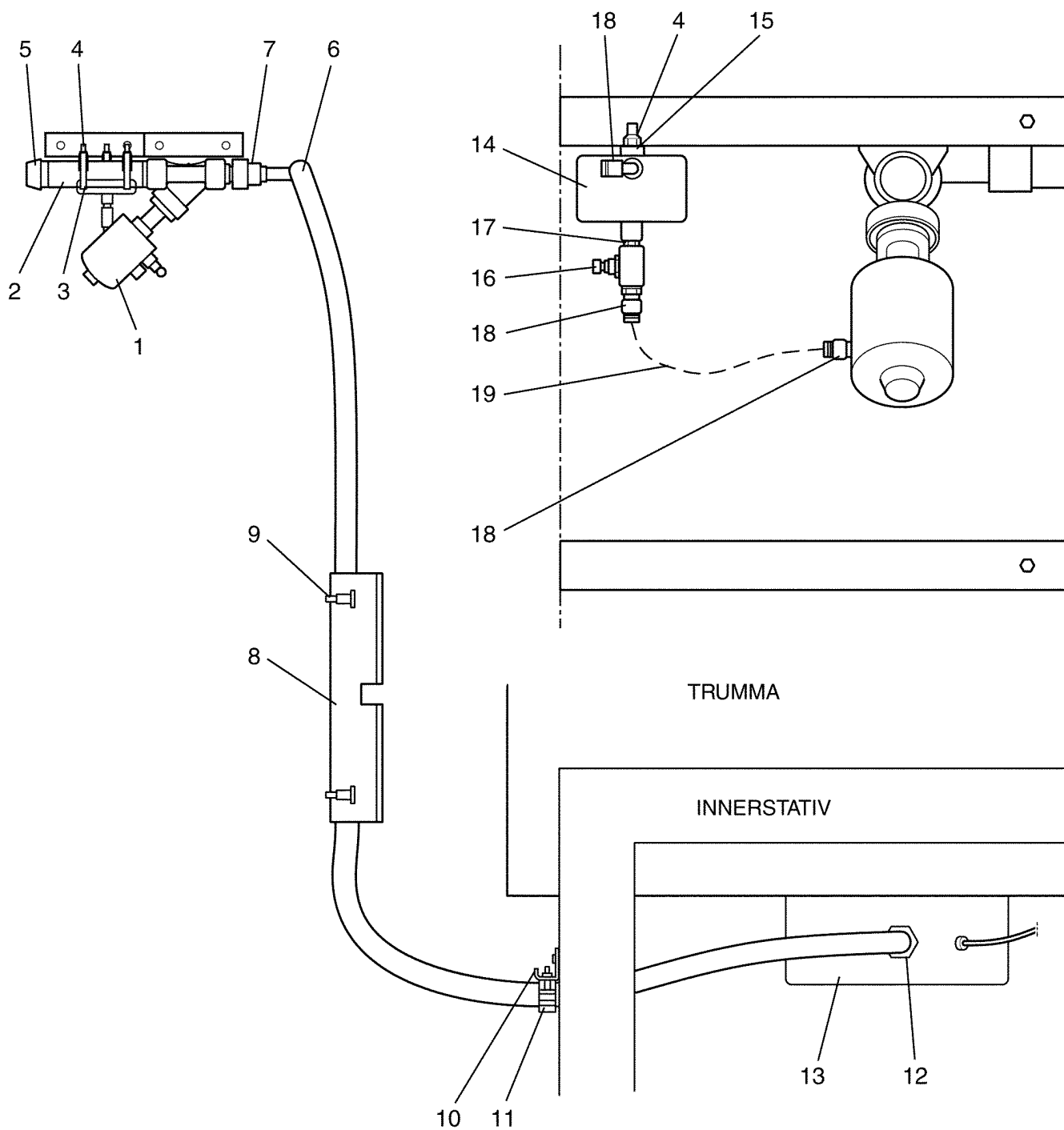
Option eau

Illustration Issue Month Year
Schéma Issue Month Year
101721/1 2 4 2000

Item Article	Qua. Qua.	Art.No Réf. article	Description	Description	Info Info	Notes Remarques
1	2	471 8210-52	Valve	Electrovanne	1,2	2", 50Hz See group 8125
	2	471 8210-51	Valve	Electrovanne	1,2	2", 60Hz See group 8125
2	2	471 8629-07	Muff	Tubulure	3	
3	2	471 8603-11	T-pipe	Tube en T	3	2"
4	4	471 7858-07	Clamp	Attache	3	2"
5	8	732 2118-01	Locking nut	Contre-écrou	3	M8
6	2	471 8608-11	Nipple pipe	Tuyau raccordement	3	
7	2	471 8657-06	Plug	Fiche	3	
8	1	432 0438-01	Inlet	Admission	3	
9						Not used
10	2	471 8128-21	Hose	Flexible	1,2	2"
11	2	472 6837-01	Pipe	Tube	3	2"
12	4	736 2843-51	Hose clamp	Attache flexible	3	Ø63-73
13	1	471 4835-01	Drain hose	Flexible de vidange	1,2	Ø75
14	2	736 2849-51	Hose clamp	Attache flexible	3	Ø77-93
15	1	471 8604-01	Bushing	Douille	3	
16	RQ	741 5115-00	Plug	Fiche	3	
17	1	471 2409-89	Hood	Capot	3	
18	1	736 2840-51	Hose clamp	Attache flexible	3	Ø50-63



EX-200c						Illustration	Issue	Month	Year
Water connections						Schéma	Issue	Month	Year
Raccords d'eau						101722/2	4	10	2000
Item	Qua.	Art.No	Description	Description	Info	Notes			
Article	Qua.	Réf. article			Info	Remarques			
1	2	432 0035-01	Tube	Tube	3				
2	4	471 7858-05	Clamp	Attache	3				
3	8	732 2118-01	Locking nut	Contre-écrou	3	M8			
4	1	471 2436-02	Hose	Flexible	1,2				
5	1	471 2461-04	Hose	Flexible	1,2				
6	1	432 0074-01	T-pipe	Tube en T	3				
7	1	471 8117-04	Hose	Flexible	1,2				
8	6	736 2825-51	Hose clamp	Attache flexible	3	Ø32			
9	2	471 2449-94	Hose	Flexible	1,2				
10	1	471 8628-21	Y-pipe	Collecteur	3				
11	6	736 2816-51	Hose clamp	Attache flexible	3	Ø13-19			
12	1	471 2430-78	Hose	Flexible	1,2	L=1050			
13	1	471 8234-52	Valve	Electrovanne	1,2	1-way, 208-240V 50/60Hz, BSP			
14	1	742 5115-11	T-pipe	Tube en T	3				
15	1	741 3115-11	Nipple	Raccord	3				
16	1	471 8604-01	Bushing	Douille	3				
17	1	741 5115-00	Plug	Fiche	3				
18	1	471 2409-89	Hood	Capot	3				
19	1	736 2840-51	Hose clamp	Attache flexible	3	Ø50-63			
20	1	471 9202-32	Solenoid valve	Electrovanne	1,2	50Hz			
	1	471 9202-33	Solenoid valve	Electrovanne	1,2	60Hz			
21	1	471 8229-01	Valve	Electrovanne	1,2	50Hz			
	1	471 8229-02	Valve	Electrovanne	1,2	60Hz			
22	1	471 8690-22	Angle connector	Raccord d'angle	3	6/4			
23	1	471 8690-71	Connection	Embrayage	3				
24	1	471 8690-22	Angle connector	Raccord d'angle	3	6/4			
25	1	471 2453-45	Pipe	Tube	1,2	6X4X250			
26	1	471 8690-81	Plug	Fiche	3				
27	1	471 8626-03	Nipple	Raccord	3				
28	1	471 8234-95	Restrictor	Réducteur de débit	3				



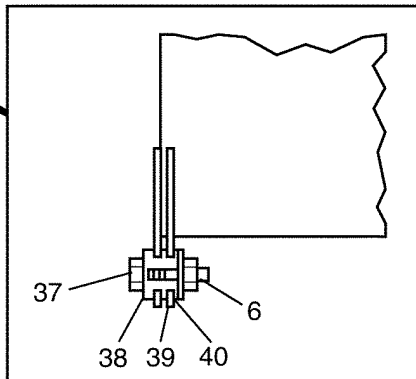
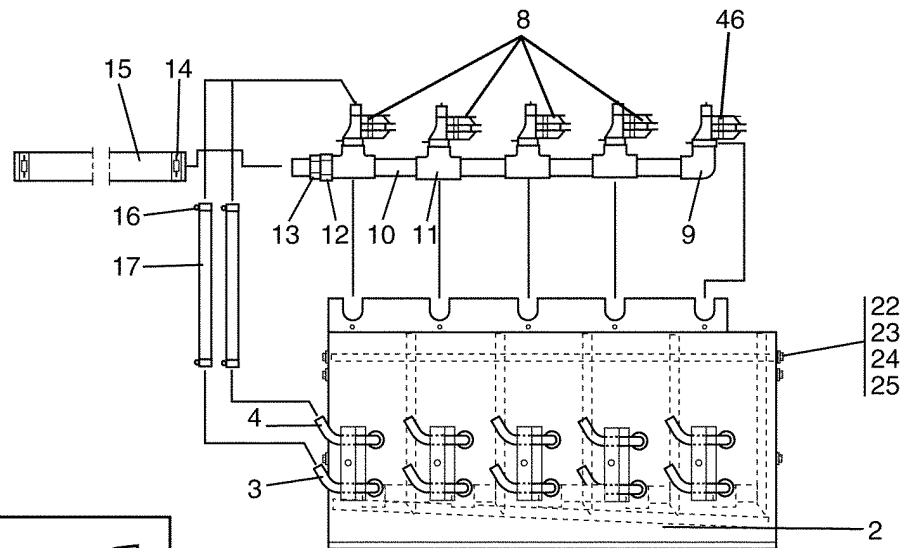
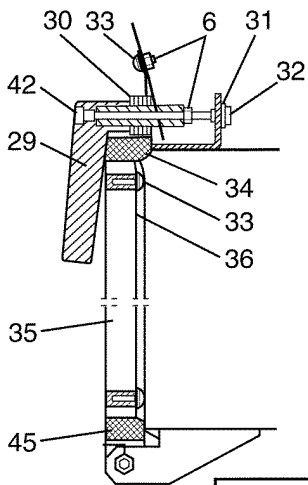
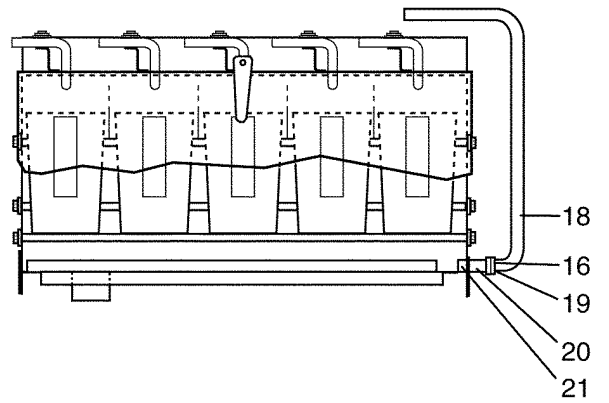
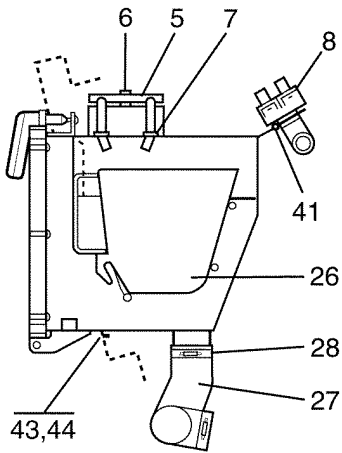
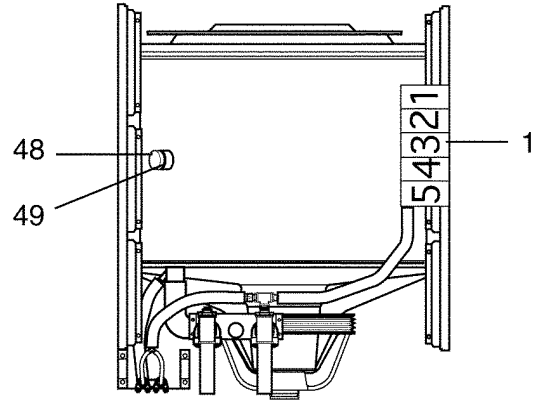
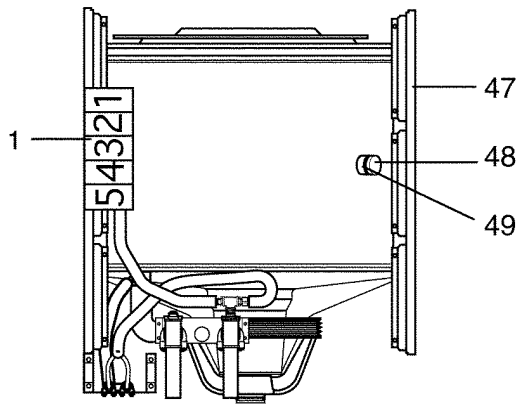
EX-200c

Steam components

Composant vapeur

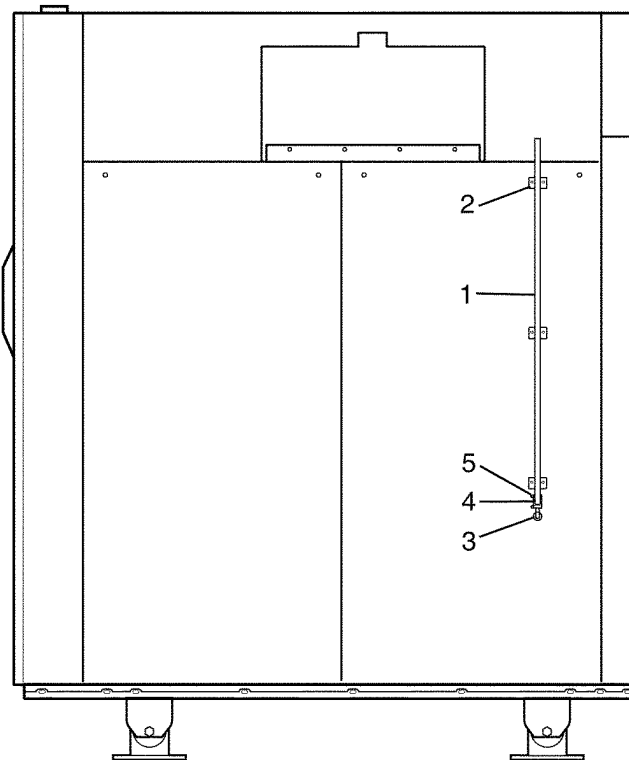
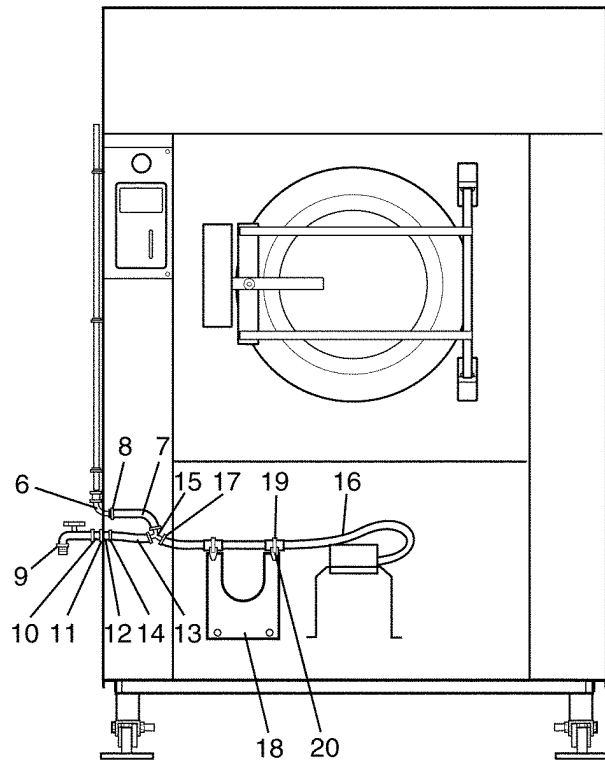
Illustration Issue Month Year
Schéma Issue Month Year
101492/1 2 10 1999

Item Article	Qua. Qua.	Art.No Réf. article	Description	Description	Info Info	Notes Remarques
1	1	471 8232-12	Valve	Electrovanne	1,2	
2	1	471 8604-04	Pipe	Tube	3	
3	2	471 7858-03	Clamp	Attache	3	
4	7	732 2118-01	Locking nut	Contre-écrou	3	M8
5	1	471 8657-05	Plug	Fiche	3	
6	1	471 8126-24	Steam hose	Tuyau flexible de vapeur	1,2	
7	1	471 9228-03	Nipple	Raccord	3	1 1/4"
8	1	432 0437-01	Bracket	Support de montage	3	
9	3	736 2831-51	Hose clamp	Attache flexible	3	Ø36-42
10	1	471 4641-15	Angle	Coude	3	
11	1	471 7855-01	Clamp	Attache	3	
12	1	471 5617-00	Injector	Injecteur	1,2	1 1/4"
13	1	741 5217-25	Plug	Fiche	3	
14	1	472 6835-01	Container	Conteneur	3	
15	6	471 8502-14	Washer	Rondelle	3	BRB 8,4X17
16	1	471 8222-02	Valve	Electrovanne	1	
17	1	741 3109-21	Nipple	Raccord	3	
18	3	471 8690-22	Angle connector	Raccord d'angle	3	6/4
19	RQ	471 4647-83	Hose	Flexible	1	D6X1X750



Issue	Month	Year
03	03	00

EX-200c					Illustration	Issue	Month	Year
Dispensing components					Schéma	Issue	Month	Year
Distributeur de savon					101728/1	5	10	2000
Item	Qua.	Art.No	Description	Description	Info	Notes		
Article	Qua.	Réf. article			Info	Remarques		
1	1	471 4052-03	Detergent container	Compartiment à savon	3			
2	1	471 4050-01	•Container	•Conteneur	3			
3	5	471 4045-01	•Pipe	•Tube	3			
4	5	471 4044-01	•Pipe	•Tube	3			
5	5	471 4041-01	•Bracket	•Support de montage	3			
6	12	731 2314-92	•Nut	•Écrou	3	M5 SS		
7	11	471 8164-01	•Grommet	•Oeillet	1	D11		
8	4	471 8235-51	•Valve	•Electrovanne	1,2	2-way, 208-240V 50/60Hz, BSP See group 8116		
9	1	471 8632-05	•Elbow pipe	•Tube en V	3			
10	4	471 4215-01	•Pipe	•Tube	3			
11	4	471 8634-05	•T-pipe	•Tube en T	3			
12	1	471 8631-04	•Muff	•Tubulure	3			
13	1	471 8614-02	•Hose nipple	•Mamelon de flexible	3	R3/4" R 3/4		
14	2	736 2825-51	•Hose clamp	•Attache flexible	3	Ø32 32		
15	1	471 8116-03	•Hose	•Flexible	1	L=1450 L-1000		
16	20	736 2816-51	•Hose clamp	•Attache flexible	3	Ø13-19 20		
17	10	471 2413-33	•Hose	•Flexible	1			
18	1	471 2429-80	•Hose	•Flexible	1			
19	1	471 9075-57	•Connection	•Embrayage	3			
20	1	471 9063-05	•Muff	•Tubulure	3			
21	1	471 8643-01	•Nozzle	•Tuyère	1			
22	3	471 4039-02	•Shaft	•Arbre	3			
23	6	471 8517-01	•Washer	•Rondelle	3			
24	6	734 1164-09	•Washer	•Rondelle	3	BRB 8,4X17		
25	6	731 2318-42	•Nut	•Écrou	3	M8SS		
26	5	471 4103-19	•Cup	•Godet	1			
27	1	471 4051-01	•Hose	•Flexible	1			
28	2	736 2840-51	•Hose clamp	•Attache flexible	3	Ø50-63 65		
29	1	472 6030-01	•Handle	•Poignée	1	Complete		
30	4	734 1178-09	•Washer	•Rondelle	3	BRB 13X24		
31	1	471 8577-02	•Bushing	•Douille	1			
32	1	724 1335-01	•Screw	•Vis	3	M5X30		
33	4	471 8344-24	•Screw	•Vis	3	M5X12		
34	1	471 8174-02	•Rubber strip	•Joint caoutchouc	1			
35	1	471 4211-02	•Door	•Plaque	3			
36	1	471 4212-01	•Door	•Plaque	3			
37	2	724 1331-42	•Screw	•Vis	3	M5X20		
38	2	734 1146-01	•Washer	•Rondelle	3	BRB 5,3X10		
39	2	734 1173-09	•Washer	•Rondelle	3	BRB 10,5X21		
40	2	471 8576-01	•Bearing bushing	•Douille de palier	3			
41	5	724 1285-42	•Screw	•Vis	3	M4X6		
42	1	725 5340-01	•Screw	•Vis	3	M5X45		
43	4	471 8344-13	•Screw	•Vis	3	M4X10		
44	4	732 2312-42	•Nut	•Écrou	3	M4		
45	1	471 9203-62	•Gasket	•Bande de garniture	3			
46	1	471 8236-57	Valve	Electrovanne	3	3-way, 208-240V 50/60Hz, BSP See group 8117		
47	1	472 6843-01	Cover plate	Plaque recouvrement	3	White		
48	1	471 2409-89	Hood	Capot	3			
49	1	736 2840-51	Hose clamp	Attache flexible	3	Ø50-63		



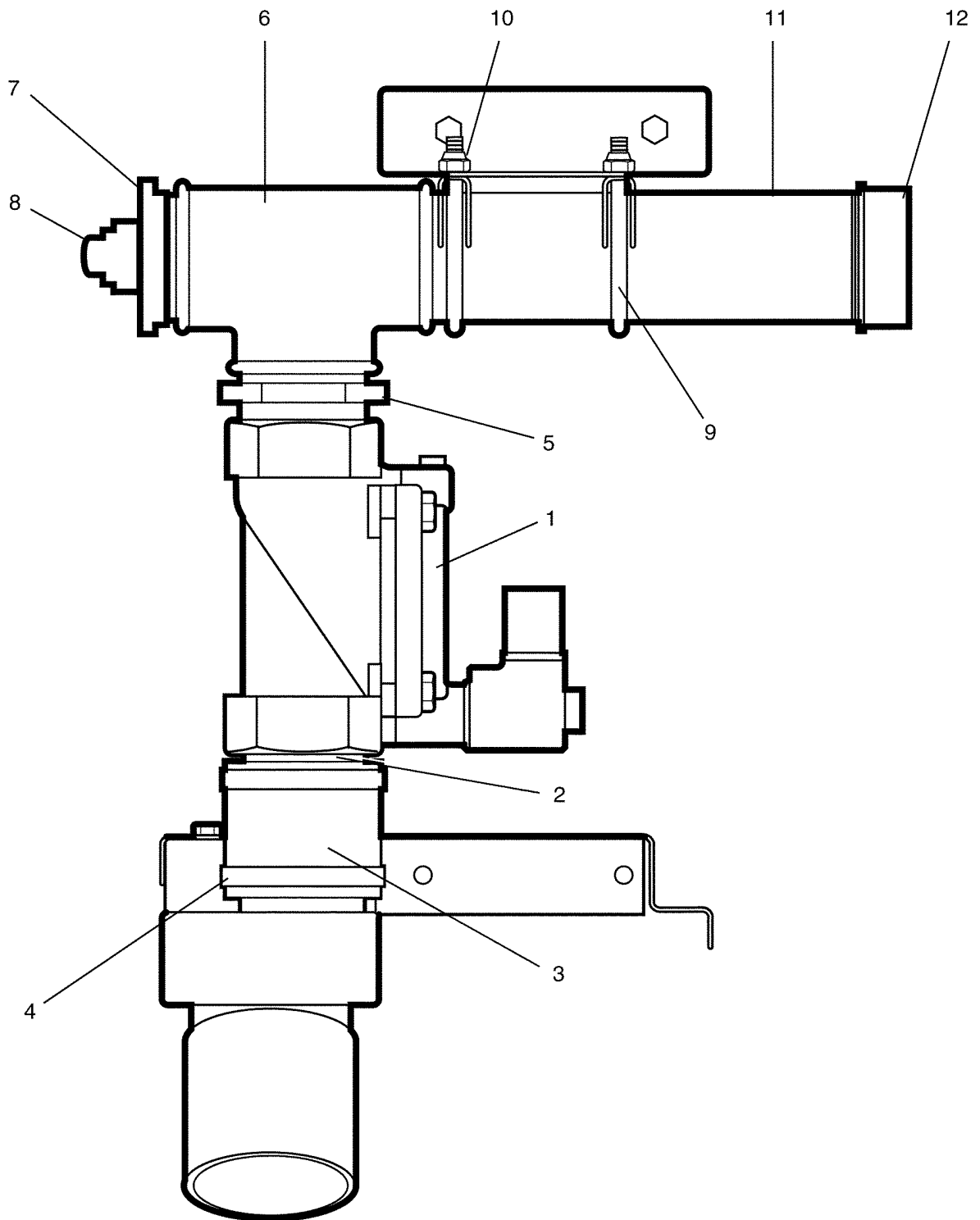
EX-200c

Level tube and test tap

Tuyau de niveau et robinet de test

Illustration Issue Month Year
Schéma Issue Month Year
101729/1 3 10 1999

Item Article	Qua. Qua.	Art.No Réf. article	Description	Description	Info Info	Notes Remarques
1	1	471 8665-03	Glass gauge	Tube à niveau d'eau	1	
2	3	471 2841-01	Bracket	Support de montage	3	
3	4	471 8164-01	Grommet	Oeillet	3	
4	RQ	471 8140-13	Hose	Flexible	1	PER 1M
5	2	736 2119-11	Hose clamp	Attache flexible	3	
6	1	472 6345-01	Elbow	Tube coudé	3	
7	1	471 8140-11	Hose	Flexible	1	
8	2	736 2816-51	Hose clamp	Attache flexible	3	Ø13-19
9	1	471 8238-01	Tap	Robinet	3	
10	1	471 8690-04	Muff	Tubulure	3	
11	1	471 8159-06	Gasket	Joint	3	
12	1	471 8614-04	Hose nipple	Mamelon de flexible	3	
13	1	471 8140-12	Hose	Flexible	1	
14	2	736 2816-51	Hose clamp	Attache flexible	3	Ø13-19
15	1	471 8628-21	Y-pipe	Collecteur	3	
16	1	471 8140-10	Hose	Flexible	1	
17	2	736 2816-51	Hose clamp	Attache flexible	3	Ø13-19
18	1	432 0064-01	Bracket	Support de montage	3	
19	2	471 8117-11	Hose	Flexible	1	
20	2	471 7858-04	Clamp	Attache	3	



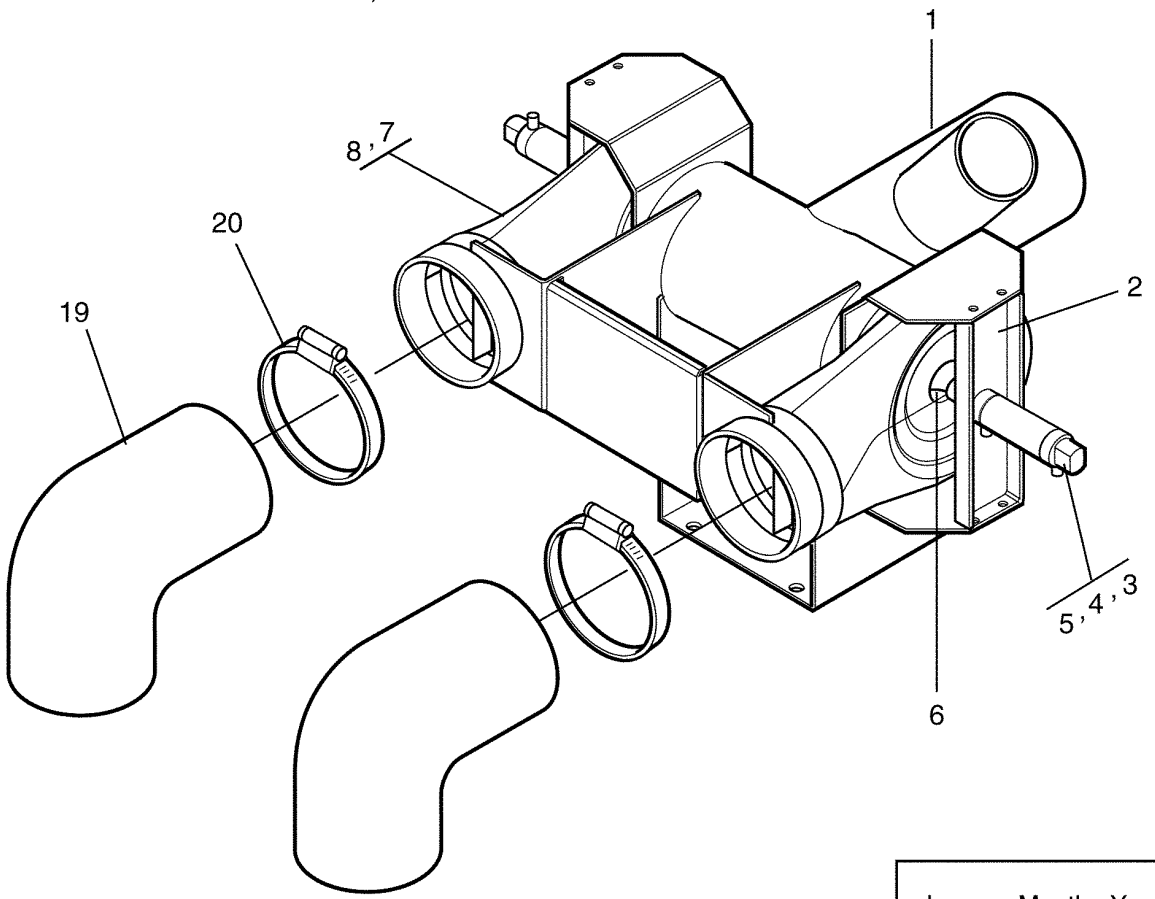
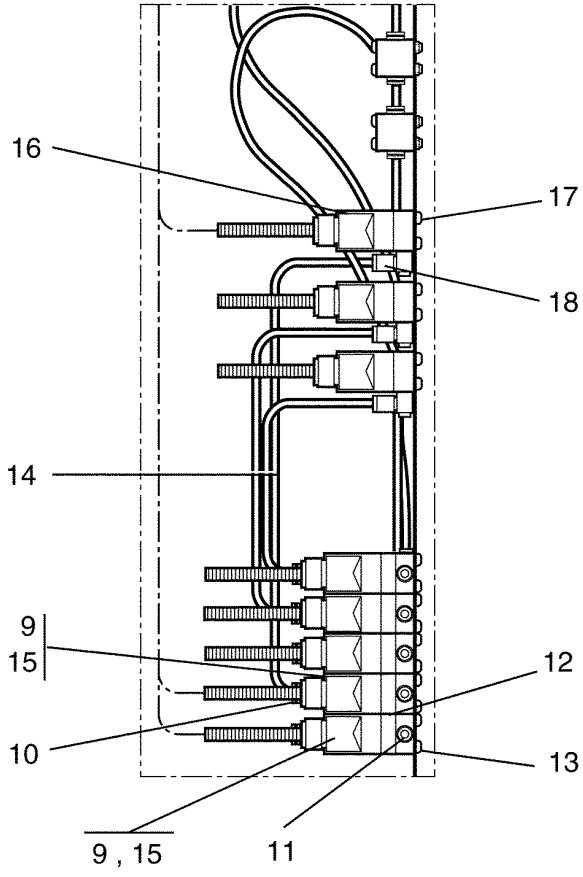
EX-200c

Third water valve

Soupapes vapeur et eau

Illustration Issue Month Year
Schéma Issue Month Year
101724/1 2 4 2000

Item Article	Qua. Qua.	Art.No Réf. article	Description	Description	Info Info	Notes Remarques
1	1	471 8210-52	Valve	Electrovanne	1,2	2", 50Hz
	1	471 8210-51	Valve	Electrovanne	1,2	2", 60Hz
2	1	472 6837-01	Pipe	Tube	3	2"
3	1	471 8128-21	Hose	Flexible	1	2"
4	2	736 2843-51	Hose clamp	Attache flexible	3	Ø63-73
5	1	472 6830-03	Bracket	Support	3	
6	2	725 2368-51	Screw	Vis	3	M6X16
7	2	732 2116-01	Locking nut	Contre-écrou	3	M6
8	1	471 8629-07	Muff	Tubulure	3	
9	1	471 8603-11	T-pipe	Tube en T	3	2"
10	1	471 8604-01	Bushing	Douille	3	
11	1	741 5115-00	Plug	Fiche	3	
12	2	471 7858-07	Clamp	Attache	3	2"
13	4	732 2118-01	Locking nut	Contre-écrou	3	M8
14	1	471 8608-11	Nipple pipe	Tuyau raccordement	3	
15	1	471 8657-06	Plug	Fiche	3	



Issue	Month	Year
01	08	99

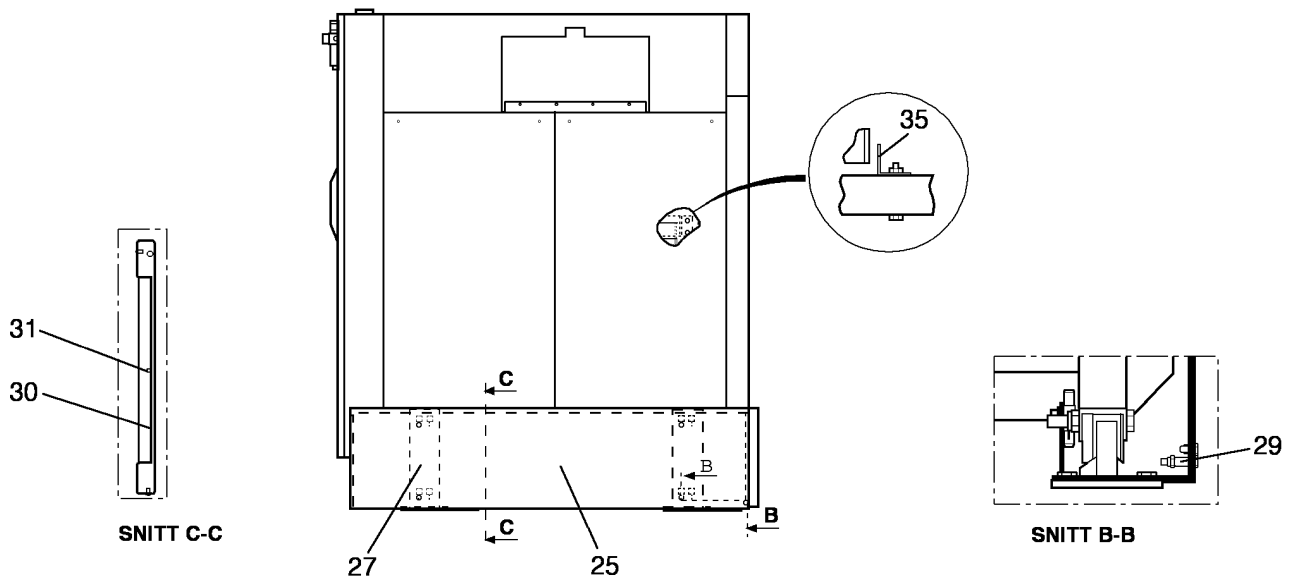
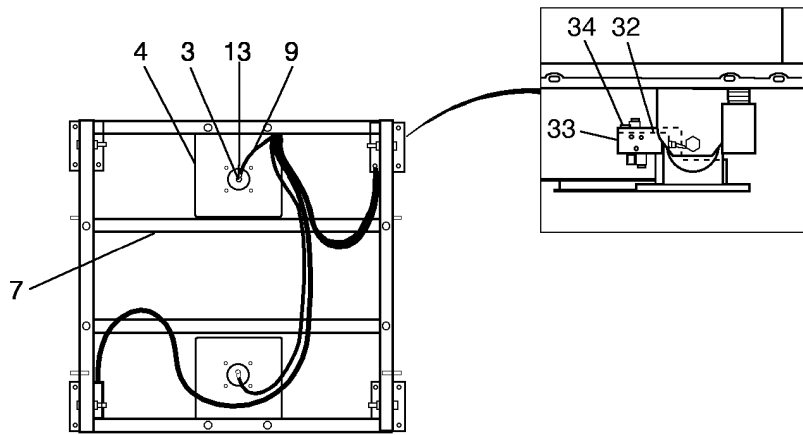
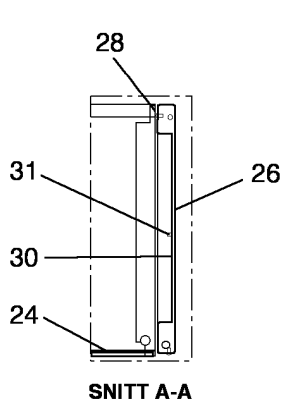
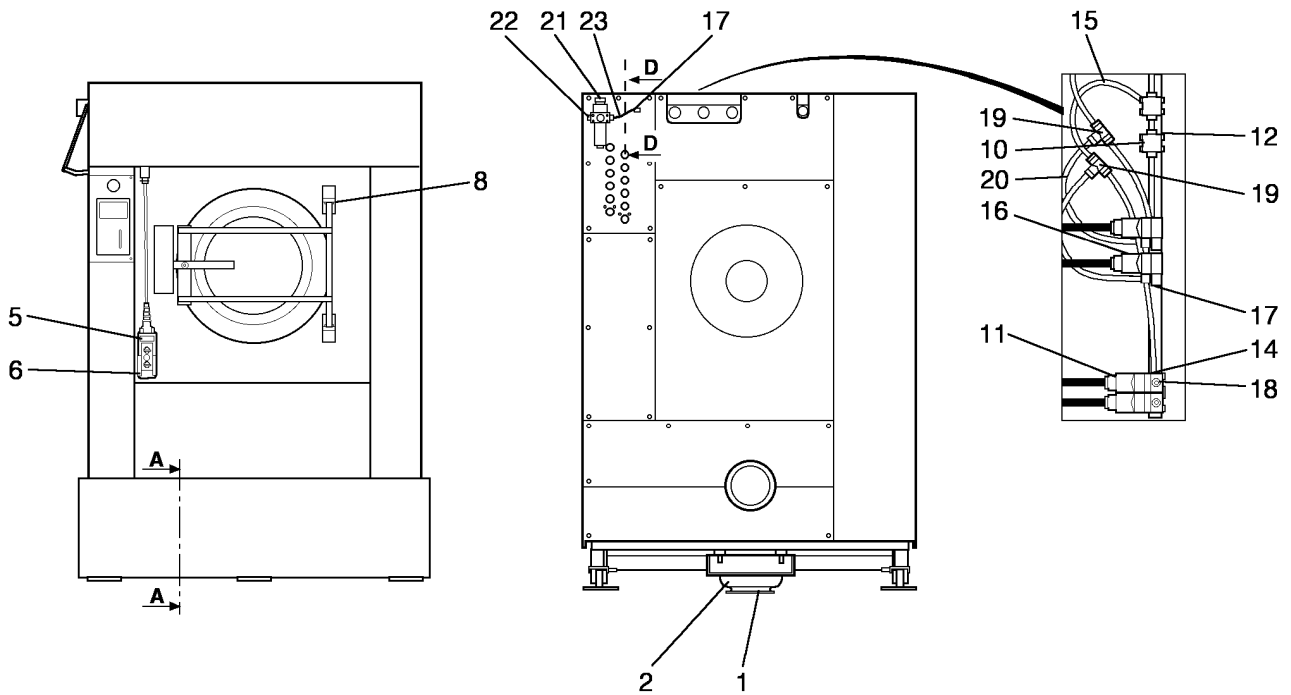
EX-200c

Drain valve and hoses, water recovery

Purgeur et flexibles, recyclage

Illustration Issue Month Year
Schéma Issue Month Year
101725/1 2 12 1999

Item Article	Qua. Qua.	Art.No Réf. article	Description	Description	Info Info	Notes Remarques
1	1	432 0484-01	Connection	Connexion	3	
2	1	438 4961-01	Bracket	Bride	3	
3	2	471 8281-01	Air cylinder	Air cylinder	1,2	
4	4	432 0067-01	Washer	Rondelle	3	
5	2	732 2118-01	Locking nut	Contre-écrou	3	M8
6	2	438 4924-01	Pressure plate	Plaque de pression	3	
7	2	438 4921-01	Hose	Flexible	1	
8	4	736 2855-51	Hose clamp	Attache flexible	3	Ø138
9	2	471 8229-01	Valve	Electrovanne	1,2	50Hz
	2	471 8229-02	Valve	Electrovanne	1,2	60Hz
10	1	471 8690-71	Connection	Embrayage	3	
11	2	471 8690-22	Angle connector	Raccord d'angle	3	6/4
12	2	471 8626-03	Nipple	Raccord	3	
13	4	471 8341-24	Screw	Vis	3	M5X12
14	1	438 8102-03	Hose	Flexible	1	
15	2	438 8102-02	Hose	Flexible	1	
16	1	471 9202-32	Solenoid valve	Electrovanne	1,2	50Hz
	1	471 9202-33	Solenoid valve	Electrovanne	1,2	60Hz
17	2	471 8341-13	Screw	Vis	3	MRT 4X10
18	1	471 8690-22	Angle connector	Raccord d'angle	3	6/4
19	1	432 0047-01	Hose	Flexible	1	
20	1	736 2855-51	Hose clamp	Attache flexible	3	Ø138



Issue	Month	Year
03	11	00

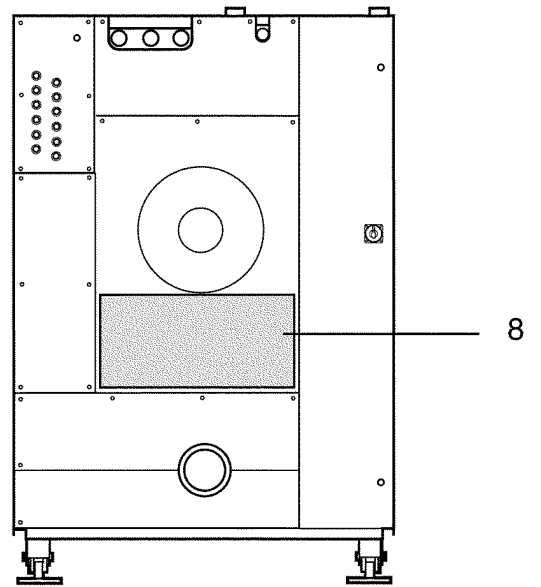
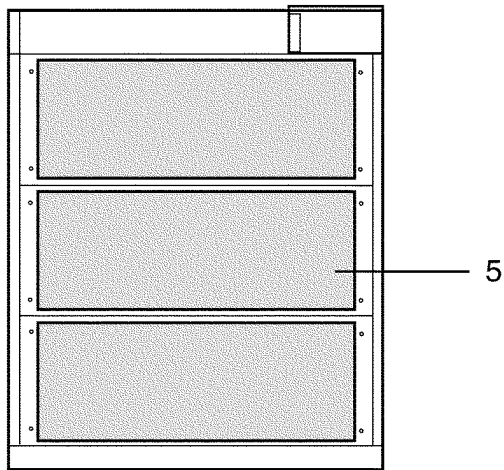
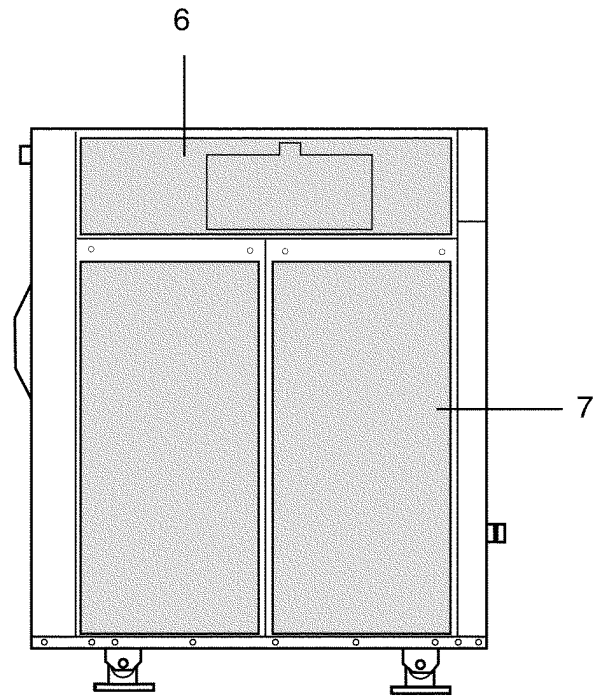
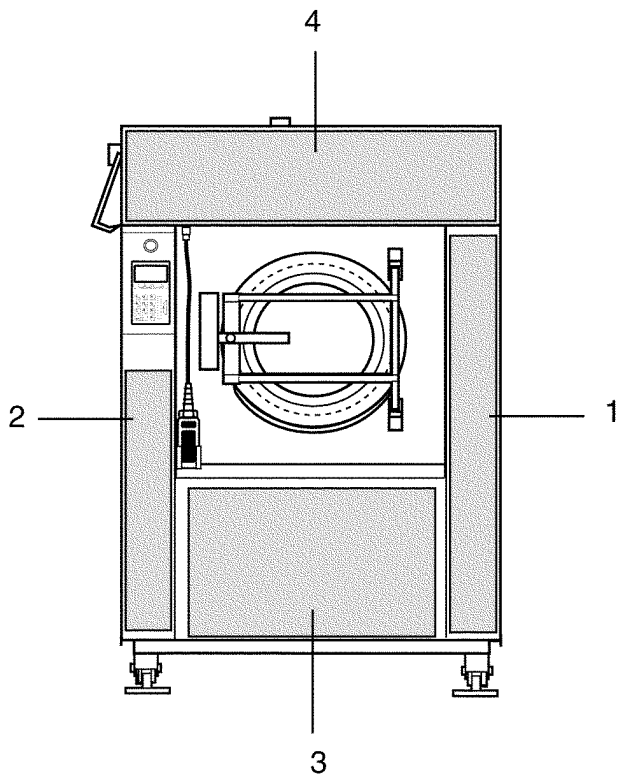
EX-200c

Tilt, forward and forward/backward

Basculement, avant et avant/arrière

Illustration Issue Month Year
Schéma Issue Month Year
101730/1 3 3 2000

Item Article	Qua. Qua.	Art.No Réf. article	Description	Description	Info Info	Notes Remarques
1	RQ	471 4207-01	Plate	Tableau	3	
2	RQ	471 8271-02	Cylinder	Cylindre	1	
3	RQ	471 8690-22	Angle connector	Raccord d'angle	1	6/4
4	RQ	471 4005-62	Mounting plate	Plaque de montage	3	
5	1	471 8796-01	Control for tilting	Bouton-poussoir	1	3-button
6	1	432 0178-01	Bracket	Pièce de retenue	3	
7	RQ	472 7286-01	Beam	Poutre	3	
8	1	472 9388-04	Door locking device	Dispositif fermeture de porte	3	
9	RQ	438 8102-02	Hose	Flexible	1	
10	RQ	438 4516-01	Pressure sensor	Capteur de pression	1	
11	RQ	471 8229-01	Valve	Electrovanne	1,2	50Hz
	RQ	471 8229-02	Valve	Electrovanne	1,2	60Hz
12	RQ	471 8690-61	Y-pipe	Collecteur	3	
13	RQ	741 4102-20	Bushing	Douille	3	
14	RQ	471 8626-03	Nipple	Raccord	1	
15	RQ	438 8102-05	Hose	Flexible	1	PER 5M
16	RQ	471 9202-32	Solenoid valve	Electrovanne	1,2	50Hz
	RQ	471 9202-33	Solenoid valve	Electrovanne	1,2	60Hz
17	RQ	471 8690-22	Angle connector	Raccord d'angle	1	6/4
18	RQ	471 8690-32	Connection	Embrayage	1	
19	RQ	471 8690-51	T-coupling	Raccord en T	3	
20	RQ	471 2453-45	Pipe	Tube	1	6X4X250
21	1	471 8203-01	Regulator	Régulateur	3	
22	1	471 8690-31	Connection	Embrayage	1	
23	1	438 8102-03	Hose	Flexible	1	
24	4	472 9214-02	Plate	Plaque	3	
25	2	432 0424-01	Side cover	Protection latérale	3	
26	1	432 0423-01	Front panel	Panneau avant	3	
27	4	432 0062-01	Pillar	Montant	3	
28	2	471 8196-01	Plug	Fiche	3	
29	2	472 9209-01	Pin	Goupille	3	
30	3	432 0114-01	Plate	Plaque	3	
31	9	471 8641-01	Plug	Fiche	3	
32	RQ	471 8282-01	Valve	Electrovanne	1	
33	RQ	438 4899-01	Bracket	Pièce de retenue	3	
34	RQ	471 8690-22	Angle connector	Raccord d'angle	3	6/4
35	RQ	472 7956-01	Angle	Coude	3	



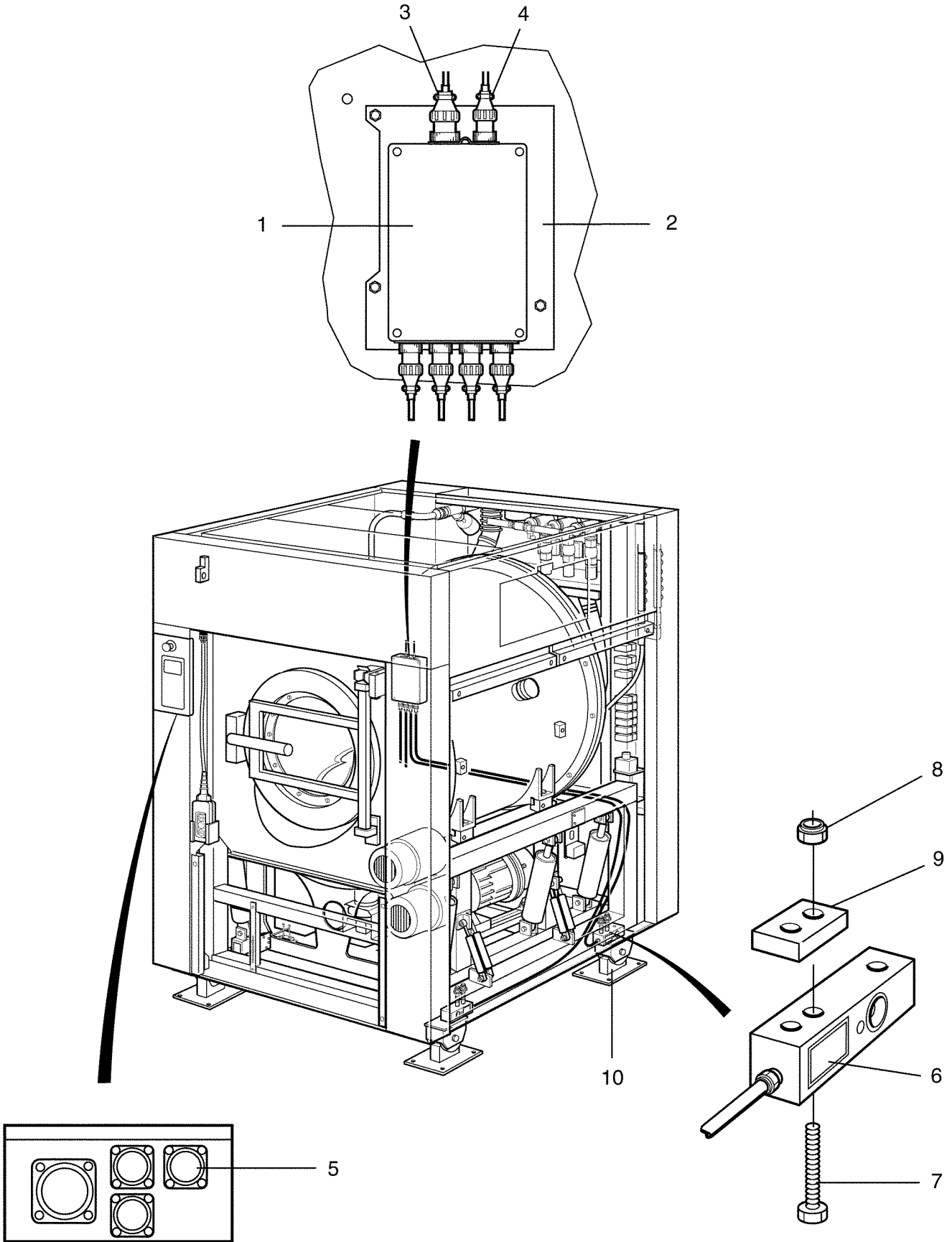
EX-200c

Insulation

Isolation

Illustration Issue Month Year
Schéma Issue Month Year
101726 2 10 1999

Item Article	Qua. Qua.	Art.No Réf. article	Description	Description	Info Info	Notes Remarques
1	1	471 7535-01	Shock absorber mat	Tapis amortisseur chocs	3	
2	1	471 7535-02	Shock absorber mat	Tapis amortisseur chocs	3	
3	1	471 7535-03	Shock absorber mat	Tapis amortisseur chocs	3	
4	2	471 7535-04	Shock absorber mat	Tapis amortisseur chocs	3	
5	3	471 7535-05	Shock absorber mat	Tapis amortisseur chocs	3	
6	2	471 7535-06	Shock absorber mat	Tapis amortisseur chocs	3	
7	4	471 7535-07	Shock absorber mat	Tapis amortisseur chocs	3	
8	1	471 7535-08	Shock absorber mat	Tapis amortisseur chocs	3	



Issue	Month	Year
01	08	99

EX-200c

Weighing device

Unité de balance

Illustration	Issue	Month	Year
Schéma	Issue	Month	Year
101727/1	2	10	1999

Item Article	Qua. Qua.	Art.No Réf. article	Description	Description	Info Info	Notes Remarques
1	1	471 8822-01	Weighing device	Unité de balance	1	RS 232 interface
	1	471 8822-05	Weighing device	Unité de balance	1	4-20mA interface
2	1	432 0468-01	Mounting plate	Plaque de montage	3	
3	1	471 8822-22	Cable	Câble	1	Signal
4	1	471 8822-21	Cable	Câble	1	Voltage
5	1	438 7300-83	Cable	Câble	1	
6	4	471 8822-11	Load cell	Load cell	1	With cablage
7	8	725 2561-51	Screw	Vis	3	M12X160
8	8	732 2122-01	Locking nut	Contre-écrou	3	M12
9	12	432 0493-01	Washer	Rondelle	3	
10	4		Foot	Pied		See illustr. 101496

Numerical index/Numerical index

Art.No/Réf. article	Page/Page	Art.No/Réf. article	Page/Page	Art.No/Réf. article	Page/Page	Art.No/Réf. article	Page/Page
432 0008-01	11	432 0408-01	7	438 4899-01	63	471 4050-01	55
432 0008-03	11	432 0409-01	7	438 4921-01	47	471 4051-01	55
432 0028-01	23	432 0409-02	7	438 4921-01	61	471 4052-03	55
432 0029-01	23	432 0410-01	7	438 4924-01	47	471 4074-01	17
432 0030-01	13	432 0410-03	7	438 4924-01	61	471 4103-19	55
432 0032-01	45	432 0414-01	17	438 4951-01	47	471 4108-79	11
432 0034-01	11	432 0414-03	17	438 4961-01	47	471 4108-79	29
432 0034-01	23	432 0416-01	11	438 4961-01	61	471 4207-01	63
432 0035-01	51	432 0422-01	11	438 4972-01	45	471 4211-02	55
432 0042-01	7	432 0423-01	63	438 4982-01	45	471 4212-01	55
432 0042-02	7	432 0424-01	63	438 4982-01	47	471 4215-01	55
432 0042-03	7	432 0426-01	7	438 7300-40	15	471 4225-01	27
432 0047-01	45	432 0426-03	7	438 7300-43	25	471 4225-02	27
432 0047-01	61	432 0428-01	7	438 7300-72	33	471 4225-03	35
432 0062-01	63	432 0428-03	7	438 7300-83	67	471 4225-03	45
432 0064-01	57	432 0429-01	7	438 7300-86	21	471 4230-01	35
432 0066-01	11	432 0429-03	7	438 7300-93	43	471 4231-01	27
432 0067-01	47	432 0430-01	7	438 7950-01	17	471 4232-01	31
432 0067-01	61	432 0430-03	7	438 7950-02	17	471 4233-01	35
432 0074-01	51	432 0431-01	7	438 8102-02	61	471 4234-01	33
432 0113-01	23	432 0431-03	7	438 8102-02	63	471 4235-01	35
432 0114-01	63	432 0432-01	7	438 8102-03	61	471 4237-03	35
432 0117-01	9	432 0432-03	9	438 8102-03	63	471 4309-56	29
432 0137-01	17	432 0433-01	7	438 8102-05	63	471 4310-94	29
432 0138-01	17	432 0433-03	7	438 8152-01	15	471 4310-95	29
432 0142-01	17	432 0434-01	7	438 8152-01	17	471 4391-01	45
432 0143-01	15	432 0434-03	7	438 8152-02	17	471 4605-30	13
432 0146-01	15	432 0436-01	7	438 8152-03	15	471 4633-86	35
432 0149-01	15	432 0436-03	7	438 8152-03	17	471 4634-36	33
432 0150-01	15	432 0437-01	53	438 9555-01	17	471 4634-37	31
432 0151-01	23	432 0438-01	49	471 2260-95	45	471 4640-71	29
432 0152-01	23	432 0440-01	45	471 2264-03	17	471 4640-72	29
432 0153-01	23	432 0442-01	7	471 2265-69	17	471 4640-73	29
432 0158-01	25	432 0443-01	9	471 2277-86	31	471 4641-08	41
432 0159-01	25	432 0452-01	7	471 2277-86	33	471 4641-10	41
432 0161-01	25	432 0452-03	7	471 2277-91	31	471 4641-15	53
432 0164-01	25	432 0453-01	7	471 2277-91	33	471 4641-26	11
432 0167-01	25	432 0453-03	7	471 2277-92	31	471 4647-83	53
432 0170-01	11	432 0460-01	19	471 2277-92	33	471 4835-01	49
432 0170-01	25	432 0460-02	19	471 2409-89	11	471 5511-01	23
432 0173-01	15	432 0460-03	19	471 2409-89	49	471 5516-03	23
432 0175-01	17	432 0460-04	19	471 2409-89	51	471 5523-00	23
432 0178-01	63	432 0461-01	19	471 2409-89	55	471 5525-01	23
432 0400-01	7	432 0465-04	13	471 2413-33	55	471 5560-00	7
432 0401-01	7	432 0468-01	67	471 2417-19	35	471 5564-00	7
432 0402-01	7	432 0478-01	45	471 2418-14	23	471 5617-00	53
432 0402-02	7	432 0484-01	61	471 2426-54	13	471 5631-00	23
432 0402-04	7	432 0486-01	45	471 2429-80	55	471 6668-98	13
432 0402-05	7	432 0493-01	67	471 2430-78	51	471 6696-93	35
432 0402-07	7	432 0801-01	15	471 2436-02	51	471 6843-01	9
432 0402-08	7	432 0801-03	15	471 2440-40	17	471 6843-02	9
432 0403-01	7	432 0801-04	15	471 2449-94	51	471 6843-04	9
432 0403-02	7	432 0801-05	15	471 2449-95	17	471 6870-11	43
432 0403-04	7	432 0801-06	15	471 2453-45	51	471 7182-14	19
432 0404-01	7	432 0801-07	15	471 2453-45	63	471 7433-01	43
432 0405-01	7	432 0801-08	15	471 2461-04	51	471 7476-01	25
432 0405-02	7	432 0801-09	15	471 2461-25	23	471 7477-01	25
432 0405-03	7	432 0801-10	15	471 2461-27	23	471 7535-01	65
432 0405-04	7	432 0801-11	15	471 2461-40	23	471 7535-02	65
432 0405-05	7	432 0801-12	15	471 2841-01	57	471 7535-03	65
432 0405-06	7	438 0268-01	21	471 4005-62	63	471 7535-04	65
432 0405-07	7	438 0299-01	17	471 4005-90	45	471 7535-05	65
432 0405-08	7	438 4273-11	7	471 4039-02	55	471 7535-06	65
432 0406-01	11	438 4273-11	13	471 4041-01	55	471 7535-07	65
432 0406-02	11	438 4516-01	63	471 4044-01	55	471 7535-08	65
432 0407-01	7	438 4832-01	23	471 4045-01	55	471 7701-50	27

Numerical index/Numerical index

Art.No/Réf. article	Page/Page	Art.No/Réf. article	Page/Page	Art.No/Réf. article	Page/Page	Art.No/Réf. article	Page/Page
471 7702-50	27	471 8260-91	43	471 8625-02	13	471 9043-21	11
471 7714-01	9	471 8271-02	63	471 8626-03	51	471 9063-05	55
471 7714-02	9	471 8281-01	47	471 8626-03	61	471 9075-57	55
471 7803-19	23	471 8281-01	61	471 8626-03	63	471 9202-11	33
471 7830-01	17	471 8282-01	63	471 8628-21	51	471 9202-12	33
471 7837-01	15	471 8319-01	35	471 8628-21	57	471 9202-32	51
471 7837-30	15	471 8341-07	23	471 8629-07	49	471 9202-32	61
471 7837-40	15	471 8341-07	25	471 8629-07	59	471 9202-32	63
471 7837-50	15	471 8341-07	39	471 8631-04	55	471 9202-33	51
471 7837-60	15	471 8341-11	39	471 8632-05	55	471 9202-33	61
471 7855-01	53	471 8341-13	15	471 8634-05	55	471 9202-33	63
471 7855-02	45	471 8341-13	23	471 8641-01	63	471 9203-62	55
471 7858-03	53	471 8341-13	61	471 8643-01	55	471 9204-93	7
471 7858-04	57	471 8341-17	23	471 8657-05	53	471 9209-24	23
471 7858-05	51	471 8341-17	33	471 8657-06	49	471 9219-52	35
471 7858-07	45	471 8341-17	39	471 8657-06	59	471 9223-93	27
471 7858-07	49	471 8341-19	39	471 8665-03	57	471 9223-94	27
471 7858-07	59	471 8341-22	23	471 8690-04	57	471 9224-60	29
471 7876-01	25	471 8341-24	25	471 8690-22	51	471 9228-03	53
471 7911-01	21	471 8341-24	43	471 8690-22	53	471 9228-37	27
471 7912-01	21	471 8341-24	61	471 8690-22	61	471 9228-38	27
471 7958-01	17	471 8342-04	39	471 8690-22	63	471 9228-39	27
471 7958-01	19	471 8344-13	55	471 8690-31	63	471 9228-40	27
471 7976-01	25	471 8344-24	25	471 8690-32	63	471 9228-49	29
471 8116-03	55	471 8344-24	55	471 8690-51	63	471 9228-97	23
471 8117-04	51	471 8344-28	23	471 8690-61	63	471 9228-98	23
471 8117-11	57	471 8345-23	25	471 8690-71	51	471 9529-06	19
471 8118-01	15	471 8348-17	33	471 8690-71	61	471 9529-10	17
471 8126-24	53	471 8362-01	15	471 8690-81	51	471 9550-05	19
471 8128-21	49	471 8362-10	15	471 8750-11	17	471 9550-21	17
471 8128-21	59	471 8362-20	15	471 8756-51	17	471 9550-22	17
471 8128-55	45	471 8362-30	15	471 8762-04	17	471 9552-11	35
471 8140-10	57	471 8362-40	15	471 8775-03	35	471 9552-12	35
471 8140-11	57	471 8362-50	15	471 8775-04	35	471 9552-13	35
471 8140-12	57	471 8362-60	15	471 8776-01	35	471 9557-02	35
471 8140-13	57	471 8454-01	15	471 8780-05	21	471 9557-03	35
471 8155-02	13	471 8502-14	25	471 8781-01	17	471 9557-51	35
471 8159-06	57	471 8502-14	41	471 8781-01	21	471 9557-53	35
471 8164-00	15	471 8502-14	53	471 8781-02	17	471 9577-01	19
471 8164-00	17	471 8517-01	55	471 8781-02	21	471 9604-00	19
471 8164-01	55	471 8519-01	35	471 8781-03	17	471 9604-03	19
471 8164-01	57	471 8519-02	35	471 8781-03	21	471 9608-01	41
471 8174-02	55	471 8519-03	35	471 8781-04	17	471 9625-02	23
471 8192-01	11	471 8519-04	35	471 8781-11	17	471 9625-03	25
471 8196-01	63	471 8519-05	35	471 8781-11	21	471 9625-03	39
471 8203-01	63	471 8519-06	35	471 8792-01	17	471 9628-22	15
471 8210-51	49	471 8519-14	35	471 8793-01	15	471 9628-32	15
471 8210-51	59	471 8551-04	13	471 8796-01	63	471 9628-33	15
471 8210-52	49	471 8552-00	13	471 8822-01	67	471 9628-90	15
471 8210-52	59	471 8576-01	55	471 8822-05	67	471 9638-03	19
471 8222-02	53	471 8576-03	11	471 8822-11	67	471 9638-04	19
471 8229-01	51	471 8576-04	11	471 8822-21	67	471 9638-13	19
471 8229-01	61	471 8577-02	23	471 8822-22	67	471 9638-14	19
471 8229-01	63	471 8577-02	55	471 8859-01	17	471 9649-01	17
471 8229-02	51	471 8603-11	49	471 8859-07	17	471 9649-01	21
471 8229-02	61	471 8603-11	59	471 8992-12	19	471 9649-02	17
471 8229-02	63	471 8604-01	49	471 8993-01	15	471 9649-02	21
471 8232-12	53	471 8604-01	51	471 8995-11	17	471 9649-11	17
471 8234-52	51	471 8604-01	59	471 8995-12	17	471 9678-01	17
471 8234-95	51	471 8604-04	53	471 8995-13	17	471 9678-04	17
471 8235-51	55	471 8608-11	49	471 8997-03	15	471 9678-33	17
471 8236-57	55	471 8608-11	59	471 9004-75	27	471 9678-61	17
471 8238-01	57	471 8613-07	45	471 9004-75	39	471 9678-62	17
471 8260-11	43	471 8613-08	45	471 9018-59	29	471 9678-93	17
471 8260-56	43	471 8614-02	55	471 9037-73	47	471 9678-95	17
471 8260-90	43	471 8614-04	57	471 9043-01	35	471 9737-01	27

Numerical index/Numerical index

Art.No/Réf. article	Page/Page	Art.No/Réf. article	Page/Page	Art.No/Réf. article	Page/Page	Art.No/Réf. article	Page/Page
471 9737-02	27	472 7949-01	39	732 2110-01	25	736 2831-51	53
471 9751-01	19	472 7950-01	39	732 2110-01	39	736 2840-51	11
471 9751-02	19	472 7956-01	63	732 2112-01	39	736 2840-51	45
472 5771-01	15	472 7963-01	35	732 2114-01	43	736 2840-51	49
472 6024-00	45	472 9209-01	63	732 2116-01	39	736 2840-51	51
472 6025-00	45	472 9214-02	63	732 2116-01	41	736 2840-51	55
472 6030-01	55	472 9361-01	23	732 2116-01	47	736 2843-51	49
472 6208-00	23	472 9373-01	23	732 2116-01	59	736 2843-51	59
472 6211-00	23	472 9375-01	23	732 2118-01	41	736 2849-51	45
472 6345-01	57	472 9388-04	63	732 2118-01	47	736 2849-51	49
472 6390-02	41	472 9913-22	11	732 2118-01	49	736 2855-51	45
472 6810-01	11	724 1285-42	55	732 2118-01	51	736 2855-51	61
472 6812-01	11	724 1331-42	55	732 2118-01	53	738 2104-03	31
472 6814-01	11	724 1335-01	55	732 2118-01	59	738 2210-18	35
472 6817-01	11	724 1337-01	41	732 2118-01	61	738 2304-33	33
472 6818-03	11	725 2325-51	13	732 2120-01	11	738 2311-34	35
472 6830-03	59	725 2327-51	23	732 2120-01	23	738 6117-13	23
472 6835-01	53	725 2366-61	41	732 2122-01	67	738 8810-01	13
472 6837-01	49	725 2366-61	47	732 2124-01	11	741 3109-21	53
472 6837-01	59	725 2368-51	35	732 2124-01	27	741 3115-11	51
472 6843-01	55	725 2368-51	59	732 2124-01	31	741 4102-20	63
472 6891-01	35	725 2451-42	13	732 2124-01	33	741 5115-00	49
472 6892-01	35	725 2451-51	9	732 2124-01	35	741 5115-00	51
472 6893-01	35	725 2461-51	25	732 2124-01	45	741 5115-00	59
472 6902-01	27	725 2464-42	13	732 2222-01	11	741 5217-25	53
472 6902-01	31	725 2466-51	41	732 2312-42	55	742 5115-11	51
472 6902-02	27	725 2491-51	13	732 3116-14	23	762 7202-57	27
472 6902-02	33	725 2493-51	11	734 1124-01	23	762 7412-57	27
472 6902-03	27	725 2497-51	31	734 1124-01	25	762 9105-05	39
472 6902-03	33	725 2497-51	33	734 1124-01	39	767 5103-12	19
472 6903-01	31	725 2507-51	11	734 1136-01	23	767 5103-18	19
472 6903-01	33	725 2536-42	23	734 1146-01	55	767 5104-12	19
472 6904-01	31	725 2538-51	11	734 1146-09	25	767 5104-18	19
472 6904-01	33	725 2540-51	35	734 1153-09	23	874 6611-01	35
472 6904-02	33	725 2556-51	11	734 1164-09	13	874 7601-08	13
472 6907-01	31	725 2561-51	67	734 1164-09	55		
472 6907-01	33	725 2624-51	29	734 1173-01	11		
472 6908-01	13	725 2628-51	11	734 1173-01	31		
472 6909-01	13	725 2632-51	11	734 1173-01	33		
472 6910-01	13	725 2634-51	13	734 1173-09	13		
472 6914-03	27	725 2634-51	27	734 1173-09	55		
472 6914-03	35	725 2636-51	11	734 1178-01	11		
472 6914-04	27	725 2636-51	13	734 1178-09	55		
472 6914-04	35	725 2640-51	11	734 1186-01	13		
472 6914-05	35	725 2640-51	31	734 1186-01	31		
472 6914-06	35	725 2640-51	33	734 1186-01	33		
472 6916-01	13	725 5340-01	55	734 1808-51	39		
472 6917-10	13	725 5493-01	11	735 3122-00	31		
472 6920-01	11	725 5493-01	35	735 3122-00	33		
472 6921-04	11	725 6491-42	13	735 3138-10	31		
472 6924-10	13	728 8362-01	13	735 3143-10	33		
472 6927-01	13	728 8362-11	23	735 3144-00	35		
472 6929-01	13	728 8445-01	23	735 3154-10	29		
472 6930-01	13	728 8489-01	27	735 3160-10	35		
472 6931-01	13	729 9342-61	27	735 3171-10	35		
472 6932-10	13	731 2120-01	31	735 3179-00	13		
472 6934-10	11	731 2120-01	33	735 3187-10	13		
472 6934-10	13	731 2314-01	41	735 9435-01	35		
472 6936-07	13	731 2314-92	55	735 9561-00	35		
472 6954-01	13	731 2316-01	23	736 2119-11	57		
472 7264-01	17	731 2318-01	25	736 2816-51	47		
472 7286-01	63	731 2318-42	55	736 2816-51	51		
472 7946-02	27	731 2320-01	31	736 2816-51	55		
472 7946-02	39	731 2320-01	33	736 2816-51	57		
472 7947-02	39	731 2324-01	29	736 2825-51	51		
472 7948-01	39	732 2110-01	23	736 2825-51	55		

Numerical index/Numerical index

Art.No/Réf. article	Page/Page	Art.No/Réf. article	Page/Page	Art.No/Réf. article	Page/Page	Art.No/Réf. article	Page/Page

WASCOMAT

461 Doughty Blvd., Inwood, L.I., N.Y. 11096-0338

Telephone: 516-371-4400

Parts and Service FAX: 516-371-4029

Sales and Administration FAX: 516-371-4204