

---

EX-200, EX-200 HI-TEK

Washer extractor  
Laveuses essoreuses

---

## List of issues

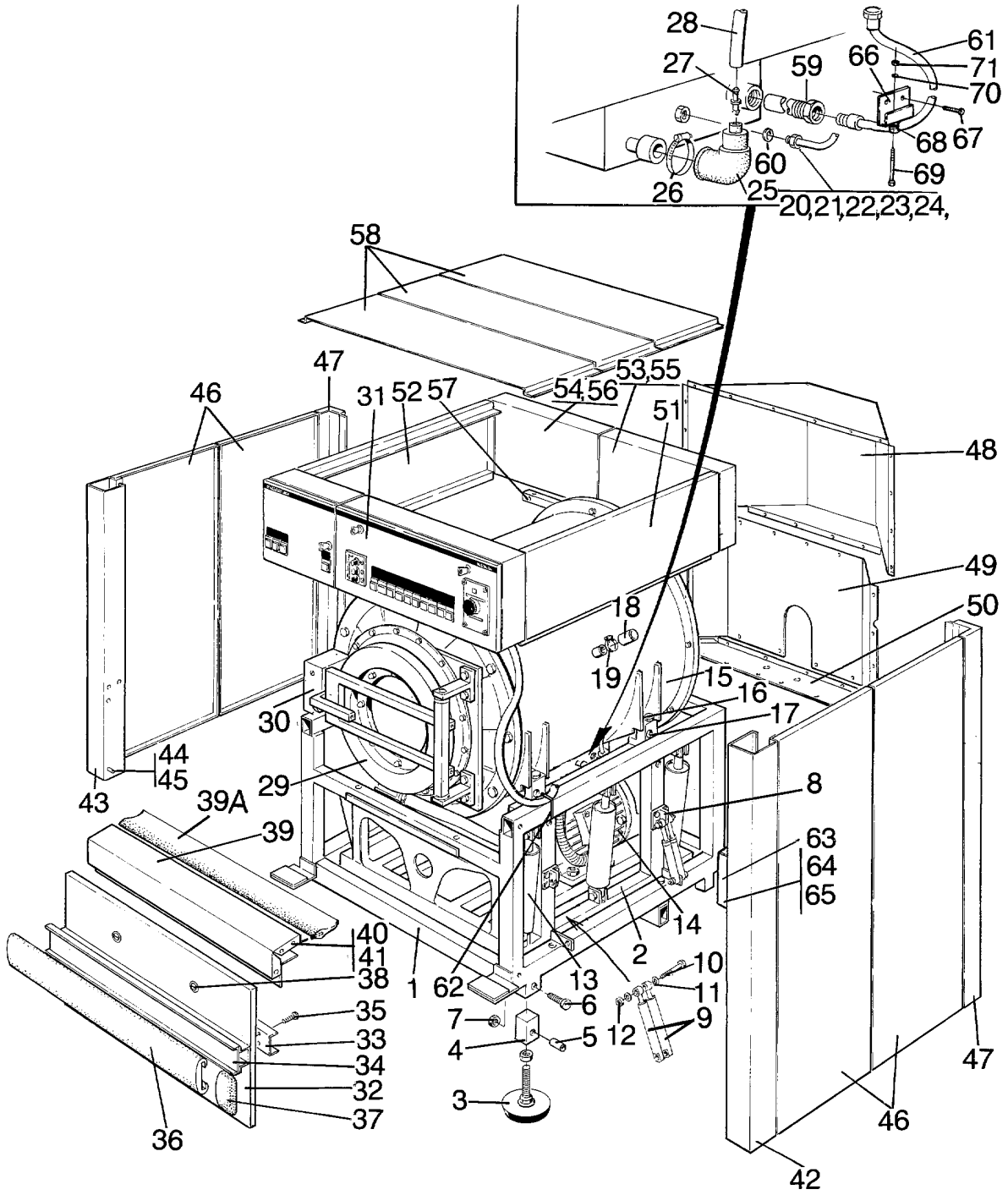
Group  
Groupe  
**US15**

### EX-200,EX-200 HI-TEK

Illustration	Page	Table of contents
100044	115	Inlet valve 3/4", single
100045	117	Inlet valve 3/4", 2-way
100246	65	Drain valve
100248	71	Electrically heated, part 1
100249	73	Electrically heated, part 2
100363	111	Pressure amplifier
100418	9	Main exploded view
100419	13	Main exploded view
100420	15	Outer frame and feet
100421	17	Inner and outer drum complete
100423	21	Suspension
100424	23	Motors
100425	25	Belt tensioner wash
100426	27	Belt tensioner centrifugal
100431	29	Clutch
100432	31	Clutch
100433	33	Switch for hydraulic coupling
100434	35	Door
100435	37	Out of balance switch
100436	41	Control unit
100437	45	Control unit
100438	51	Steam and water valves
100439	55	Steam and water valves
100440	61	Dispensing components
100441	63	Drain valve
100442	67	Component box
100443	75	Tilting device
100444	77	Tilting device, forward
100445	79	Tilting device, forward and backward
100446	81	Control unit
100447	83	Third water valve
100448	85	Motor brake
100449	87	Motor brake
100450	89	Time relay for detergent
100451	91	Switches
100452	93	Voltage control
100453	95	Voltage control
100454	97	Water and heat recovery
100455	103	Lubrication, v-ring
100480	49	Control unit MP
100481	59	Steam heated
100482	57	Water valves, electrically heated
100483	101	Water recovery with pump
100484	105	Drum rotation with open door
100485	107	Side outlet
100486	109	Sound and heat insulating
100563	113	Drain valve
100574	121	Steam inlet valve
100577	125	Solenoid valve
100590	127	Wash motor
100591	129	Extract motor
100605	131	Card programmer
100611	135	Pump
100628	137	Door lock
100798	119	Inlet valve 3/4", 2-way
100806	123	Control valve
100826	133	Memory cartridge complete
101465	19	Control panel

## EX-200,EX-200 HI-TEK

Table of contents	Table des matières	Page/Page
Main exploded view	Vue éclatée principale	9
Main exploded view	Vue éclatée principale	13
Outer frame and feet	Base externe et pieds	15
Inner and outer drum complete	Tambour intérieur et extérieur complet	17
Control panel	Pignon arrière avec tambour intérieur	19
Suspension	Pied à ressorts	21
Motors	Moteurs	23
Belt tensioner wash	Tendeur de courroie de lavage	25
Belt tensioner centrifugal	Tendeur de courroie essorage	27
Clutch	Connexion	29
Clutch	Connexion	31
Switch for hydraulic coupling	Commutateur, connexion hydraulique	33
Door	Plaque	35
Out of balance switch	Commutateur asymétrique	37
*Control unit	Unité de commande	41
*Control unit	Unité de commande	45
Control unit MP	Unité de commande MP	49
Steam and water valves	Soupapes vapeur et eau	51
Steam and water valves	Soupapes vapeur et eau	55
Water valves, electrically heated	Soupapes eau, chauffage électrique	57
Steam heated	Vapeur	59
Dispensing components	Distributeur de savon	61
Drain valve	Purgeur	63
Drain valve	Purgeur	65
Component box	Boîtier de l'appareil	67
Electrically heated, part 1	Chauffage électrique, partie 1	71
Electrically heated, part 2	Chauffage électrique, partie 2	73
Tilting device	Unité basculement	75
Tilting device, forward	Basculement avant	77
Tilting device, forward and backward	Basculement avant et arrière	79
Control unit	Organe de direction	81
Third water valve	Soupapes vapeur et eau	83
Motor brake	Frein moteur	85
Motor brake	Frein moteur	87
Time relay for detergent	Relais temporisé pour savon	89
Switches	Groupe de boutons	91
Voltage control	Réglage de la tension	93
Voltage control	Réglage de la tension	95
Water and heat recovery	Récupération chauffage et eau	97
Water recovery with pump	Récupération eau avec pompe	101
Lubrication, v-ring	Lubrification, joint trapézoïdal	103
Drum rotation with open door	Rotation du tambour avec plaque ouverte	105
Side outlet	Déversoir latéral	107
Sound and heat insulating	Isolation sonore et thermique	109
Pressure amplifier	Pompe refoulante auxiliaire	111
Drain valve	Purgeur	113
Inlet valve 3/4", single	Soupape de admission 3/4", simple	115
Inlet valve 3/4", 2-way	Soupape de admission 3/4", 2 voies	117
Inlet valve 3/4", 2-way	Soupape de admission 3/4", 2 voies	119
Steam inlet valve	Soupape	121
Control valve	Soupape	123
Solenoid valve	Electrovanne	125
Wash motor	Moteur de lavage	127
Extract motor	Moteur	129
Card programmer	Programmeur cartes	131
Memory cartridge complete	Cassette de mémoire complet	133
Pump	Pompe	135
Door lock	Serrure de porte	137



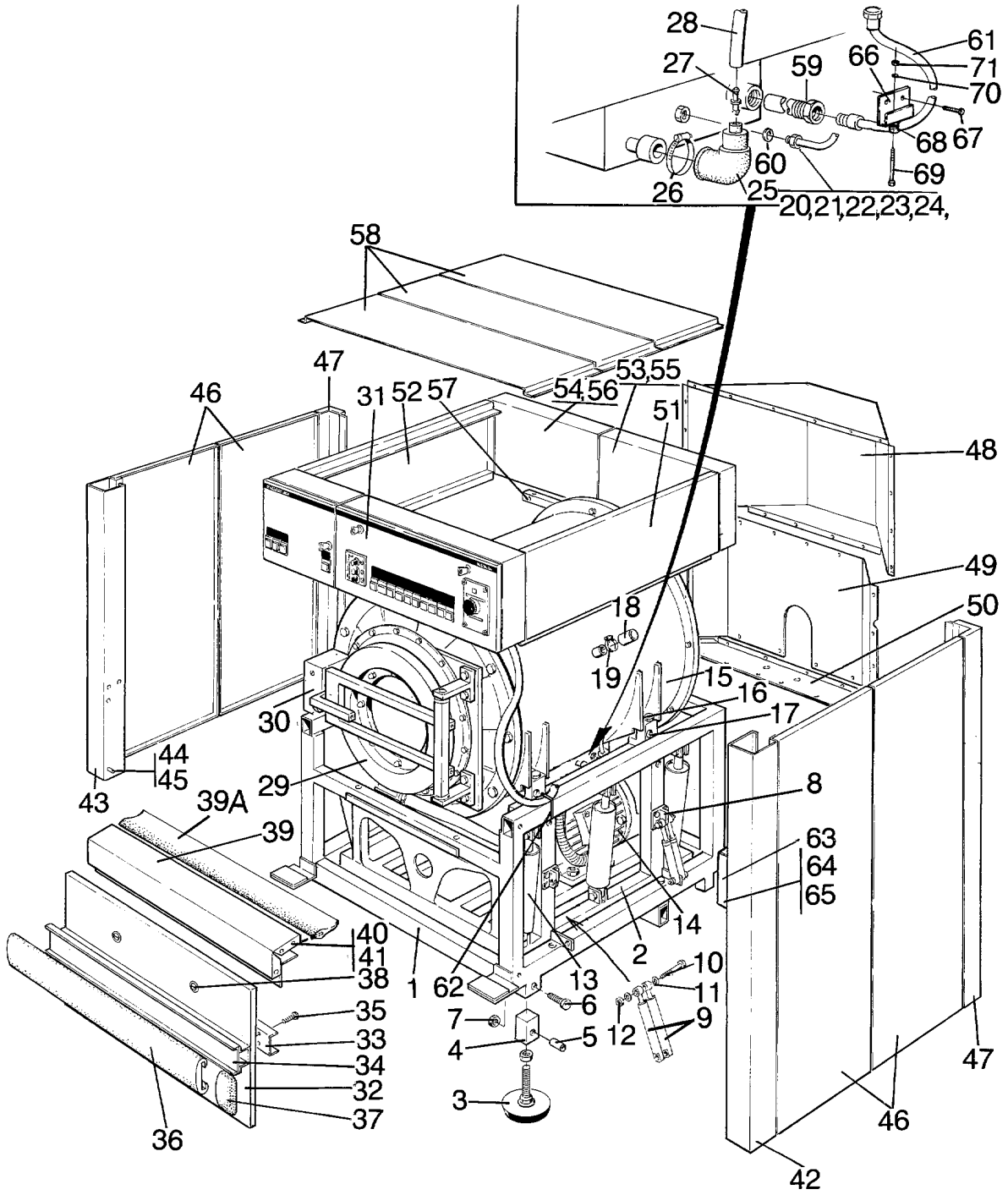
**EX-200 HI-TEK,EX-200 -83/1060**

**Main exploded view**

**Vue éclatée principale**

Illustration Issue Month Year  
Schéma Issue Month Year  
**100418 3 11 2000**

Item Article	Qua Qua	Art.No Réf. article	Description	Description	Info Info	Notes Remarques
1	1	472 6921-01	Frame	Base	3	-83/1030
	1		Frame	Base	3	See illustr. 100420 83/1031-
2	1	472 6920-01	Inner frame	Inner frame	3	
3	4	471 4309-54	Foot	Pied	1	-83/1030
4	2	471 4309-55	Leg	Pied	3	-83/1030
5	2	471 4634-09	Bearing	Coussinet	3	-83/1030
6	2	725 2636-51	Screw	Vis	3	M16X80 -83/1030
7	2	732 2124-01	Locking nut	Contre-écrou	3	M16 -83/1030
8	4	471 4641-26	Bracket	Support de montage	3	
9	8	472 9901-06	Shock absorber	Amortisseur	1,2	Kit
10	8	725 2507-51	Screw	Vis	3	M10X80
11	8	471 9073-59	Washer	Rondelle	3	TBR SB 13X36
12	8	732 2120-01	Locking nut	Contre-écrou	3	M10
13	6		Spring strut	Pied à ressorts		See illustr. 100423
14			Motor	Moteur		See illustr. 100424
15			Drum	Tambour		See illustr. 100421
16	4	725 2628-51	Screw	Vis	3	M16X40
17	4	725 5493-01	Screw	Vis	3	M10X25
18	1	471 2409-89	Hood	Capot	3	
19	1	736 2840-51	Hose clamp	Attache flexible	3	Ø50-63
20	1	471 8806-61	Sensor unit	Bloc de détection	1	For thermostat Not used
21						
22	1	471 8636-01	Nipple	Raccord		Not used
23						Not used
24						Not used
25	1	471 2095-32	Air chamber	Chambre à air	1	
26	1	736 2840-51	Hose clamp	Attache flexible	3	Ø50-63
27	1	471 2401-52	Nipple	Raccord	3	
28	1	471 4647-78	Hose	Flexible	1,2	
29	1		Door	Plaque		See illustr. 100434
30	1		Door locking device	Serrure de porte		See group US8707
31	1		Control unit	Unité de contrôle		See illustr. 100436
32	1	471 4108-78	Door	Plaque	3	
33	1	471 4108-10	Profile	Profilé	3	
34	1	471 5560-00	Profile	Profilé	3	
35	10	729 9342-61	Screw	Vis	3	4,2X13
36	1	471 5564-00	Safety strip	Lame sécurité plomb	3	
37	2	471 9204-93	Sleeve	Manchon	1	
38	2	471 8302-01	Lock	Serrure	1	
39	1	471 4310-90	Protection panel	Plaque protectrice	3	
39A	1	471 8176-02	Cover	Couvercle	1	83/1031-
40	6	725 2368-51	Screw	Vis	3	M6X16
41	6	731 2318-40	Nut	Écrou	3	M8
42	1	471 4006-01	Pillar	Montant	3	Stainless Right
43	1	471 4006-02	Pillar	Montant	3	Stainless Left
44	2	724 1321-42	Screw	Vis	3	M5X6
45	2	471 2411-27	Nut	Écrou	3	
46	4	471 4005-96	Side panel	Panneau latéral	3	White
	4	471 4243-01	Side panel	Panneau latéral	3	Yellow
47	2	471 4005-99	Pillar	Montant	3	White Rear
	2	471 4245-01	Pillar	Montant	3	Yellow Rear
48	1	472 6950-01	Cover plate	Plaque recouvrement	3	
49	1	472 6951-01	Cover plate	Plaque recouvrement	3	
50	1	472 6946-01	Plate	Plaque	3	
51	1	471 4005-95	Side panel	Panneau latéral	3	White Right, upper
	1	471 4244-01	Side panel	Panneau latéral	3	Yellow Right, upper
52	1	471 4007-15	Side panel	Panneau latéral	3	White Left, upper
	1	471 4248-01	Side panel	Panneau latéral	3	Yellow Left, upper
53	1	471 4108-57	Cover	Couvercle	3	White



Issue	Month	Year
01	05	88

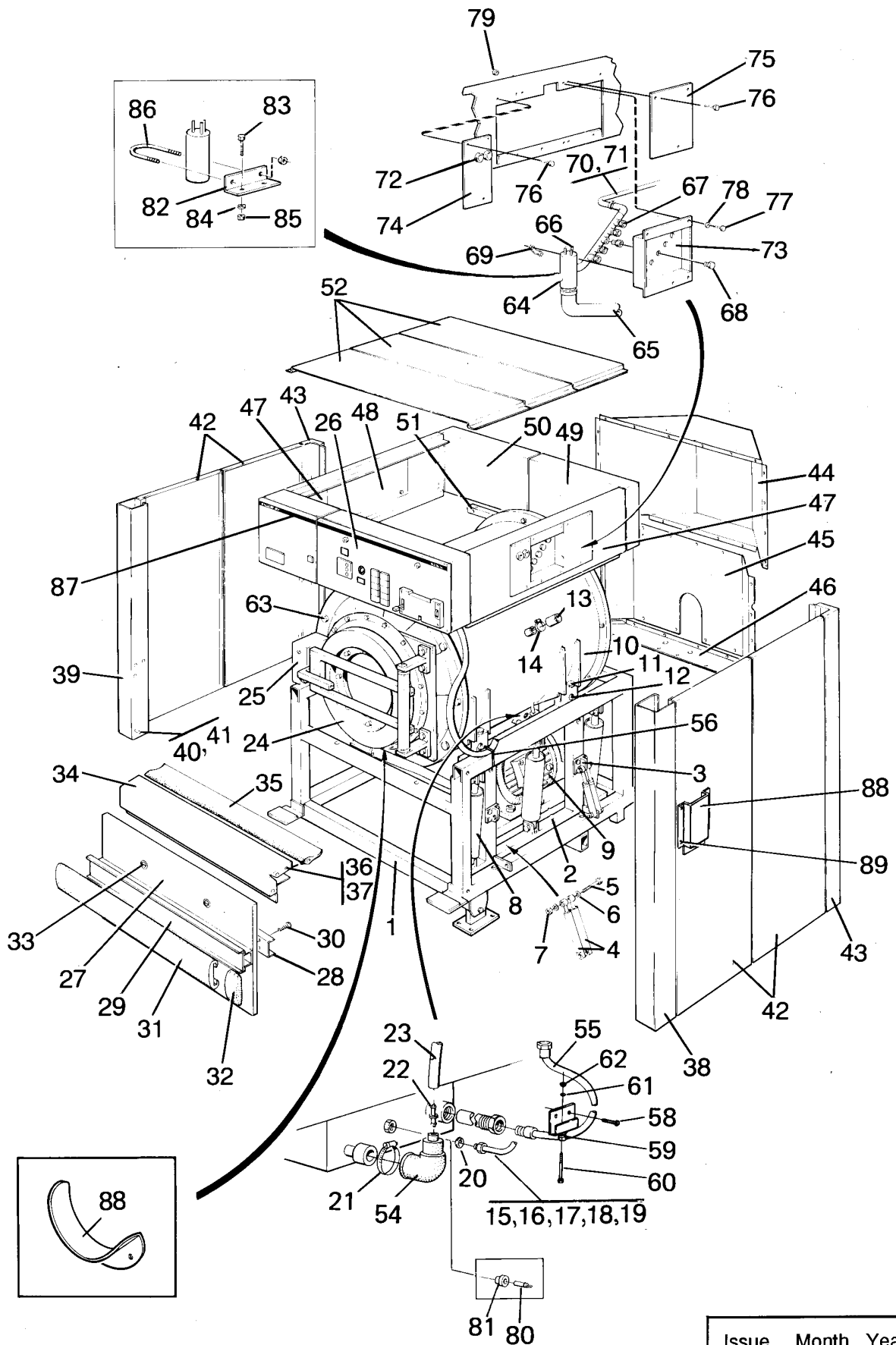
**EX-200 HI-TEK,EX-200 -83/1060**

**Main exploded view**

**Vue éclatée principale**

Illustration Issue Month Year  
Schéma Issue Month Year  
**100418 3 11 2000**

Item Article	Qua Qua	Art.No Réf. article	Description	Description	Info Info	Notes Remarques
<b>54</b>	1	<b>471 4242-01</b>	Cover	Couvercle	3	Yellow
	1	<b>471 4091-01</b>	Cover plate	Plaque recouvrement	3	White
	1	<b>471 4091-02</b>	Cover plate	Plaque recouvrement	3	Yellow
<b>55</b>	1	<b>471 4240-02</b>	Box	Boîtier	3	White
	1	<b>471 4240-03</b>	Box	Boîtier	3	Yellow
<b>56</b>	1	<b>471 4250-02</b>	Box	Boîtier	3	White See illustr. 100442
	1	<b>471 4250-03</b>	Box	Boîtier	3	Yellow See illustr. 100442
<b>57</b>	1	<b>472 6945-01</b>	Bracket	Pupitre	3	
<b>58</b>	3	<b>471 4108-02</b>	Top panel	Couvercle	3	White
	3	<b>471 4241-01</b>	Top panel	Couvercle	3	Yellow
<b>59</b>	1	<b>471 5617-00</b>	Injector	Injecteur	1	1 1/4"
<b>60</b>	1	<b>740 4805-03</b>	O-ring	Joint torique	1	
<b>61</b>	1	<b>471 8126-04</b>	Hose	Flexible	1,2	
<b>62</b>	1	<b>736 2849-51</b>	Hose clamp	Attache flexible	3	Ø77-93
<b>63</b>	1	<b>471 2436-58</b>	Card box	Caisse en carton	3	
<b>64</b>	4	<b>724 1289-42</b>	Screw	Vis	3	M4X10
<b>65</b>	4	<b>732 2112-01</b>	Locking nut	Contre-écrou	3	M4
<b>66</b>	1	<b>471 4641-15</b>	Angle	Coude	3	
<b>67</b>	2	<b>725 2366-61</b>	Screw	Vis	3	M6SF 6X12
<b>68</b>	1	<b>471 7855-01</b>	Clamp	Attache	3	
<b>69</b>	2	<b>725 2466-51</b>	Screw	Vis	3	M8X75
<b>70</b>	2	<b>734 1164-01</b>	Washer	Rondelle	3	8,4X17
<b>71</b>	2	<b>732 2118-01</b>	Locking nut	Contre-écrou	3	M8



Issue	Month	Year
05	02	95



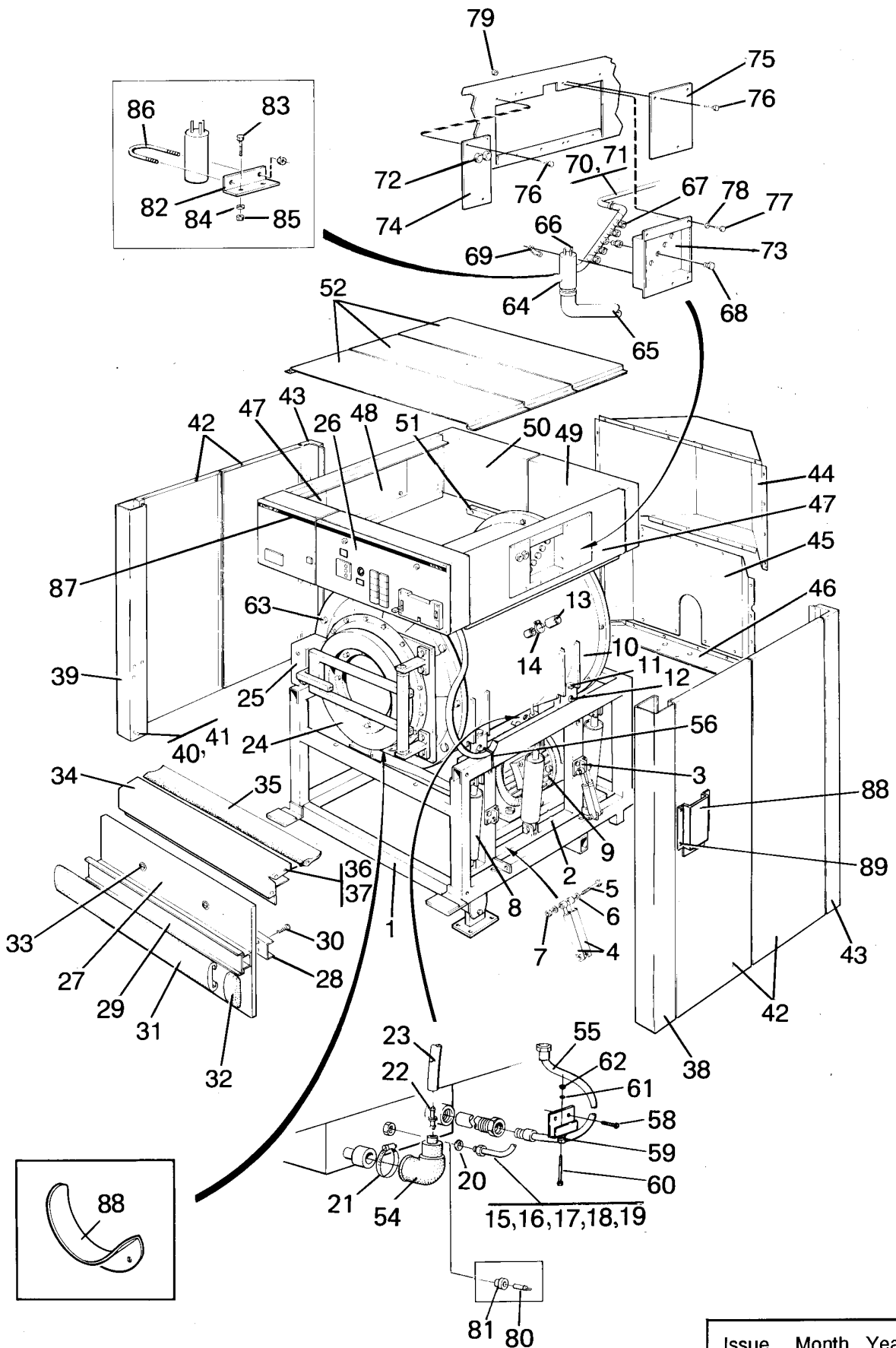
**EX-200 HI-TEK,EX-200 83/1061-**

**Main exploded view**

**Vue éclatée principale**

Illustration Issue Month Year  
Schéma Issue Month Year  
**100419 3 11 2000**

Item Article	Qua Qua	Art.No Réf. article	Description	Description	Info Info	Notes Remarques
<b>1</b>	1 1	<b>472 6921-01</b> <b>472 6921-02</b>	Frame Frame	Base Base	3 3	See illustr. 100420 HONG KONG, . See illustr. 100420
<b>2</b>	2	<b>472 6920-01</b>	Inner frame	Inner frame	3	
<b>3</b>	4	<b>471 4641-26</b>	Bracket	Support de montage	3	
<b>4</b>	1	<b>472 9901-06</b>	Shock absorber	Amortisseur	1,2	Kit
<b>5</b>	8	<b>725 2507-51</b>	Screw	Vis	3	M10X80
<b>6</b>	8	<b>471 9073-59</b>	Washer	Rondelle	3	TBR SB 13X36
<b>7</b>	8	<b>732 2120-01</b>	Locking nut	Contre-écrou	3	M10
<b>8</b>	6		Spring strut	Pied à ressorts		See illustr. 100423
<b>9</b>			Motor	Moteur		See illustr. 100424
<b>10</b>			Drum	Tambour		INNER,UPPER See illustr. 100421
<b>11</b>	4	<b>725 2628-51</b>	Screw	Vis	3	M16X40
<b>12</b>	4	<b>725 5493-01</b>	Screw	Vis	3	M10X25
<b>13</b>	1	<b>471 2409-89</b>	Hood	Capot	3	
<b>14</b>	1	<b>736 2840-51</b>	Hose clamp	Attache flexible	3	Ø50-63
<b>15</b>	1	<b>471 8806-61</b>	Sensor unit	Bloc de détection	1	
<b>16</b>	1	<b>471 6664-33</b>	Kit	Kit	1	Thermostat -88/1436
<b>17</b>	1	<b>471 2416-41</b>	•Nipple	•Raccord		-88/1436
<b>18</b>	1	<b>471 2416-43</b>	•Cone	•Cône		-88/1436
<b>19</b>	1	<b>471 2416-42</b>	•Nipple	•Raccord		-88/1436
<b>20</b>	1	<b>740 4805-03</b>	•O-ring	•Joint torique		-88/1436
<b>21</b>	1	<b>736 2840-51</b>	Hose clamp	Attache flexible	3	Ø50-63
<b>22</b>	1	<b>471 2401-52</b>	Nipple	Raccord	3	
<b>23</b>	1	<b>471 4647-78</b>	Hose	Flexible	1,2	
<b>24</b>	1		Door	Plaque		See illustr. 100434
<b>25</b>	1		Door locking device	Serrure de porte		See group US8707
<b>26</b>	1		Control unit	Unité de contrôle		See illustr. 100437
<b>27</b>	1	<b>471 4108-78</b>	Door	Plaque	3	
<b>28</b>	1	<b>471 4108-10</b>	Profile	Profilé	3	
<b>29</b>	1	<b>471 5560-00</b>	Profile	Profilé	3	
<b>30</b>	10	<b>729 9342-61</b>	Screw	Vis	3	4,2X13
<b>31</b>	1	<b>471 5564-00</b>	Safety strip	Lame sécurité plomb	3	
<b>32</b>	2	<b>471 9204-93</b>	Sleeve	Manchon	3	
<b>33</b>	2	<b>471 8302-01</b>	Lock	Serrure	1	
<b>34</b>	1	<b>471 4310-90</b>	Protection panel	Plaque protectrice	3	
<b>35</b>	1	<b>471 8176-02</b>	Cover	Couvercle	1	
<b>36</b>	6	<b>725 2368-51</b>	Screw	Vis	3	M6X16
<b>37</b>	6	<b>731 2316-01</b>	Nut	Écrou	3	M6
<b>38</b>	1	<b>471 4006-02</b>	Pillar	Montant	3	Stainless Right
<b>39</b>	1	<b>471 4006-02</b>	Pillar	Montant	3	Stainless Left
<b>40</b>	2	<b>724 1321-42</b>	Screw	Vis	3	M5X6
<b>41</b>	2	<b>471 2411-27</b>	Nut	Écrou	3	
<b>42</b>	4	<b>471 4005-96</b>	Side panel	Panneau latéral	3	White
	4	<b>471 4243-02</b>	Side panel	Panneau latéral	3	Stainless
<b>43</b>	2	<b>471 4005-99</b>	Pillar	Montant	3	White
<b>44</b>	1	<b>472 6950-01</b>	Cover plate	Plaque recouvrement	3	
<b>45</b>	1	<b>472 6951-01</b>	Cover plate	Plaque recouvrement	3	
<b>46</b>	1	<b>472 6946-01</b>	Plate	Plaque	3	
<b>47</b>	2	<b>471 4007-15</b>	Side panel	Panneau latéral	3	White Upper
	2	<b>471 4248-02</b>	Side panel	Panneau latéral	3	Stainless Upper
<b>48</b>	1	<b>472 6843-01</b>	Cover plate	Plaque recouvrement	3	White
<b>49</b>	1		Valve	Soupape		STEAM-WATER See illustr. 100439
<b>50</b>	1		Box	Boîtier		See illustr. 100442
<b>51</b>	1	<b>472 6945-01</b>	Bracket	Pupitre	3	
<b>52</b>	3	<b>471 4108-02</b>	Top panel	Couvercle	3	White
	3	<b>471 4241-01</b>	Top panel	Couvercle	3	Yellow



Issue	Month	Year
05	02	95

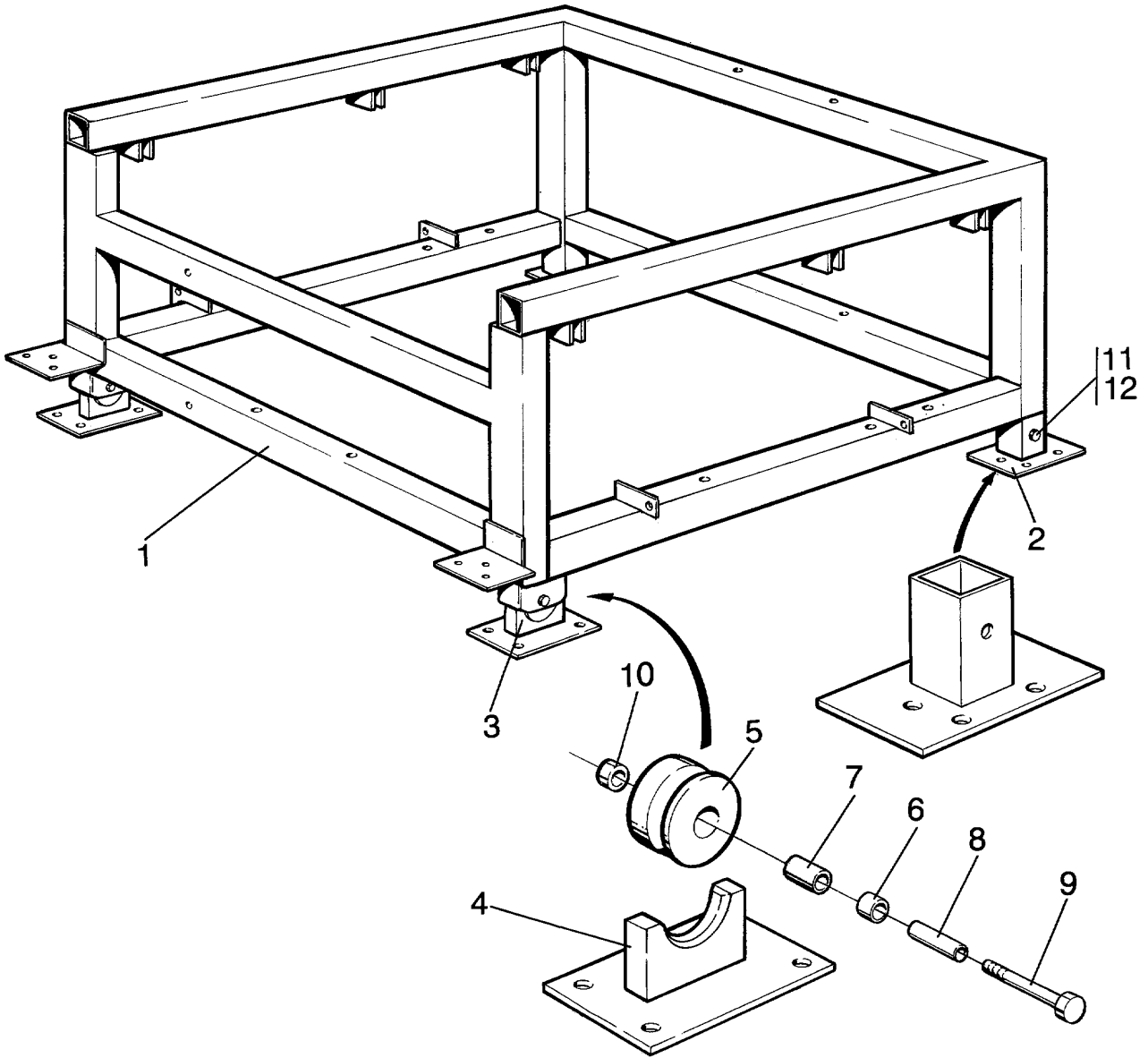
**EX-200 HI-TEK,EX-200 83/1061-**

**Main exploded view**

**Vue éclatée principale**

Illustration Issue Month Year  
Schéma Issue Month Year  
**100419 3 11 2000**

Item Article	Qua Qua	Art.No Réf. article	Description	Description	Info Info	Notes Remarques
53	1	471 5617-00	Injector	Injecteur	1	1 1/4"
54	1	471 2095-32	Air chamber	Chambre à air	1	
55	1	471 8126-04	Hose	Flexible	1,2	
56	1	736 2849-51	Hose clamp	Attache flexible	3	Ø77-93
57	1	471 4641-15	Angle	Coude	3	
58	2	725 2366-61	Screw	Vis	3	M6SF 6X12
59	1	471 7855-01	Clamp	Attache	3	
60	2	725 2466-51	Screw	Vis	3	M8X75
61	2	734 1164-01	Washer	Rondelle	3	8,4X17
62	2	732 2118-01	Locking nut	Contre-écrou	3	M8
63	5	471 2416-83	Hood	Capot	3	
64	1	472 6844-01	Pipe	Tube	3	SUPPLY WITH ITEM 66
65	1	471 4051-01	Hose	Flexible	1	
66	1	471 8656-02	Hose connection	Connexion flexible	3	SUPPLY WITH ITEM 64
67	5	471 8623-01	Connection	Embrayage	3	1/2"
68	5	471 8651-50	Plug	Fiche	3	
69	2	471 7858-04	Clamp	Attache	3	
70	1	471 8116-01	Hose	Flexible	1	DS
71	2	736 2816-51	Hose clamp	Attache flexible	3	Ø13-19
72	2	762 1209-10	Grommet	Oeillet	3	
73	1	472 6842-01	Mounting plate	Plaque de montage	3	
74	1	472 6841-01	Cover	Couvercle	3	
75	1	472 6840-01	Cover plate	Plaque recouvrement	3	
76	6	729 5410-01	Screw	Vis	3	RXS B10X13
77	4	724 1289-01	Screw	Vis	3	M4X10
78	4	734 1136-01	Washer	Rondelle	3	BRB 4,3X9
79	4	731 2312-01	Nut	Écrou	3	M4
80	1	472 9913-22	Sensor	Capteur	1,2	Complete
81	1	471 8192-01	•Bushing	•Douille	1	88/1437-
82	1	472 7971-01	Bracket	Pièce de retenue	3	
83	2	725 2366-51	Screw	Vis	3	M6X12
84	2	734 1153-09	Washer	Rondelle	3	BRB 6,4X12
85	2	731 2316-01	Nut	Écrou	3	M6
86	1	471 7858-07	Clamp	Attache	3	2"
87	1	471 7626-74			1	WASCOMAT EX-200
	1	471 7639-15			1	WASCOMAT EXTRACT-O-MATIC EX-200 HI-TEK
88	1	472 7945-01	Card box	Caisse en carton	3	
89	5	471 8340-12	Screw	Vis	3	RTS 3,5X9,5



**EX-200 HI-TEK,EX-200 83/1061-**

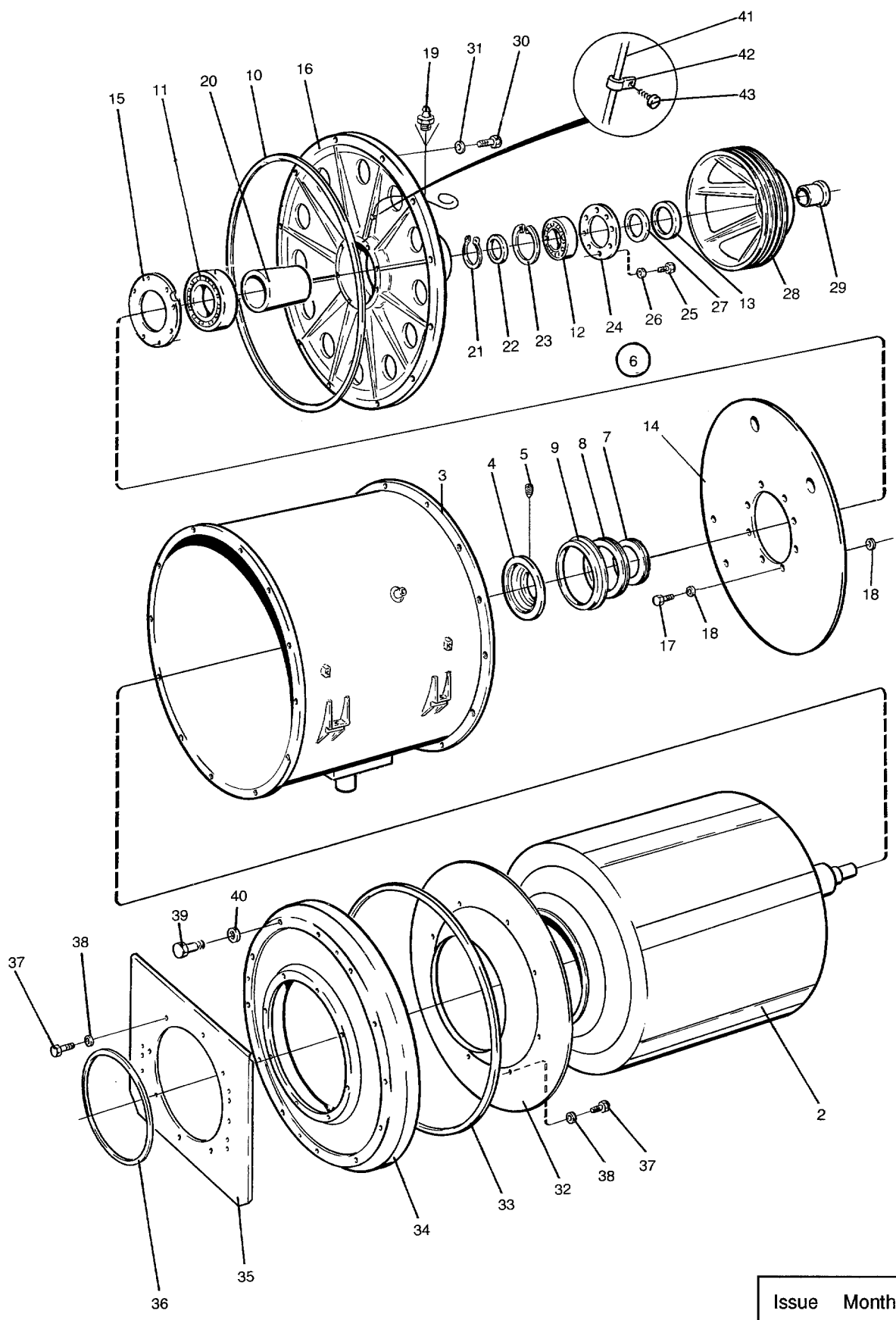
**Outer frame and feet**

**Base externe et pieds**

Illustration	Issue	Month	Year
Schéma	Issue	Month	Year
<b>100420</b>	<b>1</b>	<b>5</b>	<b>1988</b>

Item Article	Qua Qua	Art.No Réf. article	Description	Description	Info Info	Notes Remarques
<b>1</b>	1	<b>472 6921-01</b>	Frame	Base	3	
	1	<b>472 6921-02</b>	Frame	Base	3	HONG KONG
<b>2</b>	RQ	<b>472 6817-01</b>	Foot	Pied	1	
<b>3</b>	RQ	<b>472 6818-01</b>	Foot	Pied	1	
<b>4</b>	RQ	<b>472 6812-01</b>	•Bracket	•Support de montage	1	Foot
<b>5</b>	RQ	<b>472 6810-01</b>	•Wheel	•Roue	1	
<b>6</b>	RQ	<b>471 8576-03</b>	•Bushing	•Douille	1	20/28X20
<b>7</b>	RQ	<b>471 8576-04</b>	•Bushing	•Douille	1	20/28X30
<b>8</b>	RQ	<b>472 6814-01</b>	•Bushing	•Douille	1	
<b>9</b>	RQ	<b>725 2636-51</b>	•Screw	•Vis	3	M16X80
<b>10</b>	RQ	<b>732 2124-01</b>	•Locking nut	•Contre-écrou	3	M16
<b>11</b>	RQ	<b>725 2636-51</b>	Screw	Vis	3	M16X80
<b>12</b>	RQ	<b>732 2124-01</b>	Locking nut	Contre-écrou	3	M16

1



100421

Issue	Month	Year
01	05	88

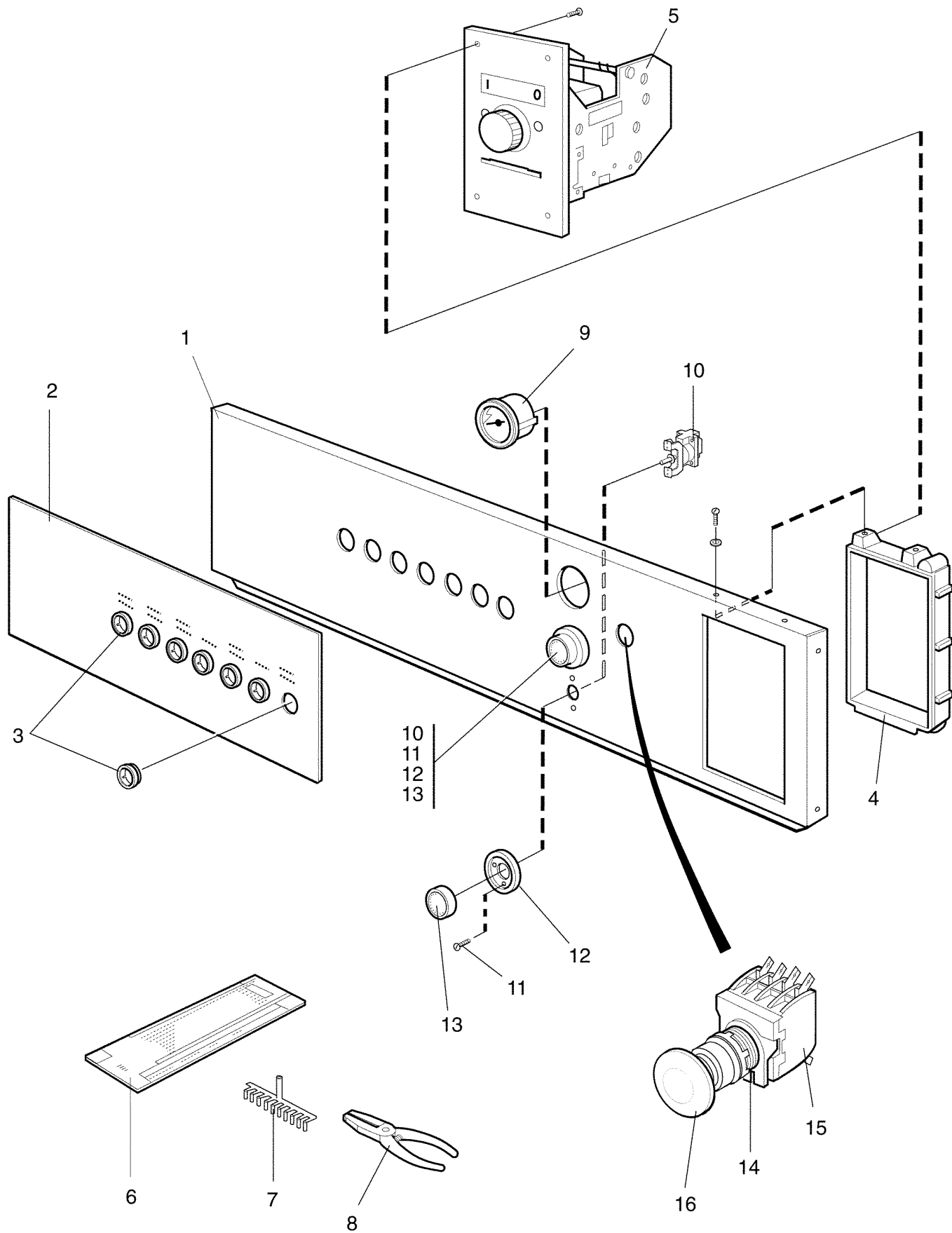
**EX-200 HI-TEK,EX-200 83/1061-**

**Inner and outer drum complete**

**Tambour intérieur et extérieur complet**

Illustration Issue Month Year  
Schéma Issue Month Year  
**100421 4 3 1993**

Item Article	Qua Qua	Art.No Réf. article	Description	Description	Info Info	Notes Remarques
1	1	472 6934-01	Drum	Tambour	3	COMPLETE,DS
	1	472 6934-02	Drum	Tambour	3	EI.
2	1	472 6927-01	•Inner drum	•Intérieur du tambour	3	
3	1	472 6936-01	•Outer drum	•Extérieur du tambour	3	-87/1328
	1	472 6936-05	•Outer drum	•Extérieur du tambour	3	DS 87/1329-
	1	472 6936-06	•Outer drum	•Extérieur du tambour	3	EI. 87/1329-
4	1	472 6916-01	•Bracket	•Pièce de retenue	1	
5	1	728 8362-01	•Screw	•Vis	3	SK6SS 6X8
6	1	471 6668-98	•Bearing set	•Jeu de coussinets	1	
7	1		••V-ring	••Anneau en forme de V		
8	1		••V-ring	••Anneau en forme de V		
9	1		••Seal	••Joint		-82/1010
10	1	471 8155-02	••Gasket	••Bande de garniture	3	
11	1		••Roller bearing	••Roulements à galets		
12	1		••Roller bearing	••Roulements à galets		
13	1		••V-ring	••Anneau en forme de V		
	RQ	874 7601-08	••Lubricating grease	••Lubrifiant solide		
14	1	472 6932-01	•Cover plate	•Plaque recouvrement	1	-83/1060
	1	472 6932-02	•Cover plate	•Plaque recouvrement	1	83/1061-
15	1	472 6954-01	•Plate	•Plaque	3	
16	1	472 6908-01	•End piece	•Pignon	3	
17	8	725 2451-42	•Screw	•Vis	3	M8X20
18	16	734 1164-09	•Washer	•Rondelle	3	BRB 8,4X17
19	2	738 8810-01	•Nipple	•Raccord	1	
20	1	472 6930-01	•Sleeve	•Manchon	3	
21	1	735 3179-00	•C-clamp	•Presse à main	3	SGA16
22	1	472 6931-01	•Ring	•Anneau	3	
23	1	735 3187-10	•C-clamp	•Presse à main	3	SGH200
24	1	472 6929-01	•Bearing cover	•Chapeau de palier	3	
25	8	725 2491-51	•Screw	•Vis	3	M10X20
26	8	734 1173-09	•Washer	•Rondelle	3	BRB 10,5X21
27	1	471 8551-04	•Sleeve	•Manchon	1	
28	1	472 6909-01	•Pulley	•Poulie	1	
29	1	471 8552-00	•Bushing	•Douille	1	
30	12	725 2632-51	•Screw	•Vis	3	M16X60
31	12	734 1186-01	•Washer	•Rondelle	3	BRB 17X30
32	1	472 6910-01	•End piece	•Pignon	1	FRONT
33	1	471 8155-02	•Gasket	•Bande de garniture	1	
34	1	472 6917-01	•End piece	•Pignon	3	FRONT
35	1	472 6924-01	•Front panel	•Panneau avant	3	
36	1	471 2426-54	•Rubber strip	•Joint caoutchouc	1	
37	8	725 2451-42	•Screw	•Vis	3	M8X20 -82/1010
	8	725 6491-42	•Screw	•Vis	3	M10X20 82/1011-
38	16	734 1164-09	•Washer	•Rondelle	3	BRB 8,4X17
39	12	725 2636-51	•Screw	•Vis	3	M16X80
40	12	734 1186-01	•Washer	•Rondelle	3	BRB 17X30
41	1	471 8625-02	•Pipe	•Tube	3	
42	2	471 4605-30	•Clamp	•Attache	3	
43	2	725 2325-51	•Screw	•Vis	3	M5X10





**EX-200**

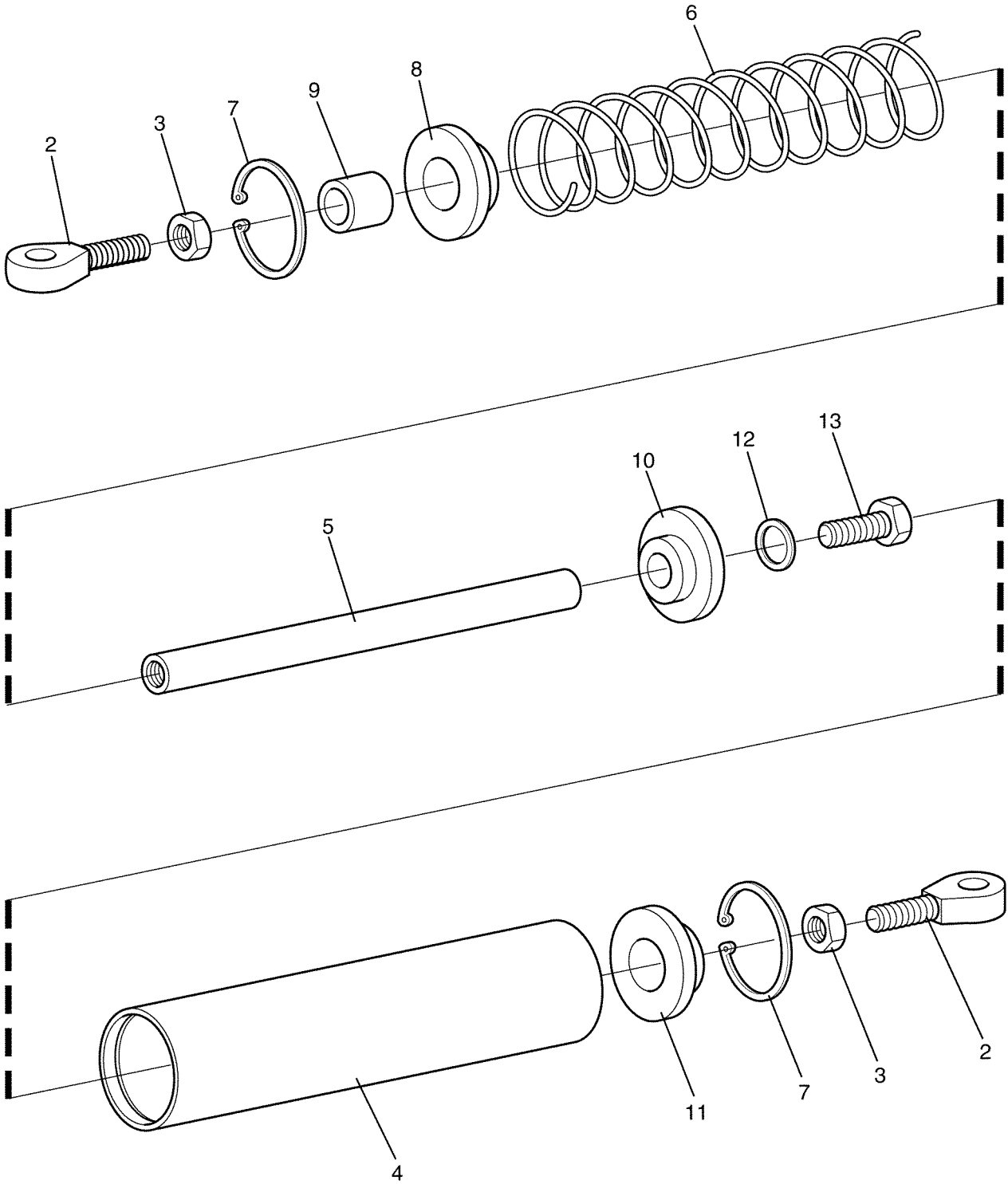
**Control panel**

**Pignon arrière avec tambour intérieur**

Illustration Issue Month Year  
Schéma Issue Month Year  
**101465 1 3 1997**

Item Article	Qua Qua	Art.No Réf. article	Description	Description	Info Info	Notes Remarques
<b>1</b>	1	<b>471 4782-79</b>	Control panel	Pupitre de commande	3	Non-heated
	1	<b>471 4782-39</b>	Control panel	Pupitre de commande	3	Black NON-HEATED,USA
	1	<b>471 4782-81</b>	Control panel	Pupitre de commande	3	HEATED
	1	<b>471 4782-85</b>	Control panel	Pupitre de commande	3	Red HEATED
<b>2</b>	1	<b>471 4527-70</b>	User instructions	Instruction de fonctionnement	3	Silver SYMBOLS
	1	<b>471 4527-78</b>	User instructions	Instruction de fonctionnement	3	ENGLISH, SILVER USA
	1	<b>471 4722-03</b>	User instructions	Instruction de fonctionnement	3	English Nyborg
<b>3</b>	7	<b>472 6079-00</b>	Grommet	Oeillet	3	French
<b>4</b>	1	<b>471 4705-02</b>	Frame	Châssis	3	
<b>5</b>	1		Card programmer	Programmateur cartes		50Hz See group US8337
<b>6</b>	1	<b>471 8955-01</b>	Program card	Carte programme	1,2	80 STEPS
	1	<b>471 9219-16</b>	Program card	Carte programme	1,2	120 STEPS
<b>7</b>	1	<b>471 6654-10</b>	Pin	Goupille	1	SET OF 10 PCS
<b>8</b>	1	<b>471 8961-01</b>	Pliers	Pince	1	
<b>9</b>	1	<b>471 8810-02</b>	Thermometer	Thermomètre	1,2	
<b>10</b>	2	<b>471 8804-02</b>	Thermostat	Thermostat	1,2	
<b>11</b>	4	<b>471 8341-11</b>	Screw	Vis	3	MRT 4X6
<b>12</b>	2	<b>471 8804-71</b>	Scale	Échelle	1	
<b>13</b>	2	<b>471 8804-51</b>	Handwheel	Bouton	1	
<b>14</b>	1	<b>471 9628-18</b>	Emergency stop	Arrêt d'urgence	1	
<b>15</b>	1	<b>471 9628-95</b>	Socket	Bloc de connexion	1	
<b>16</b>	1	<b>471 9628-08</b>	Lamp	Ampoule	1	230V

1



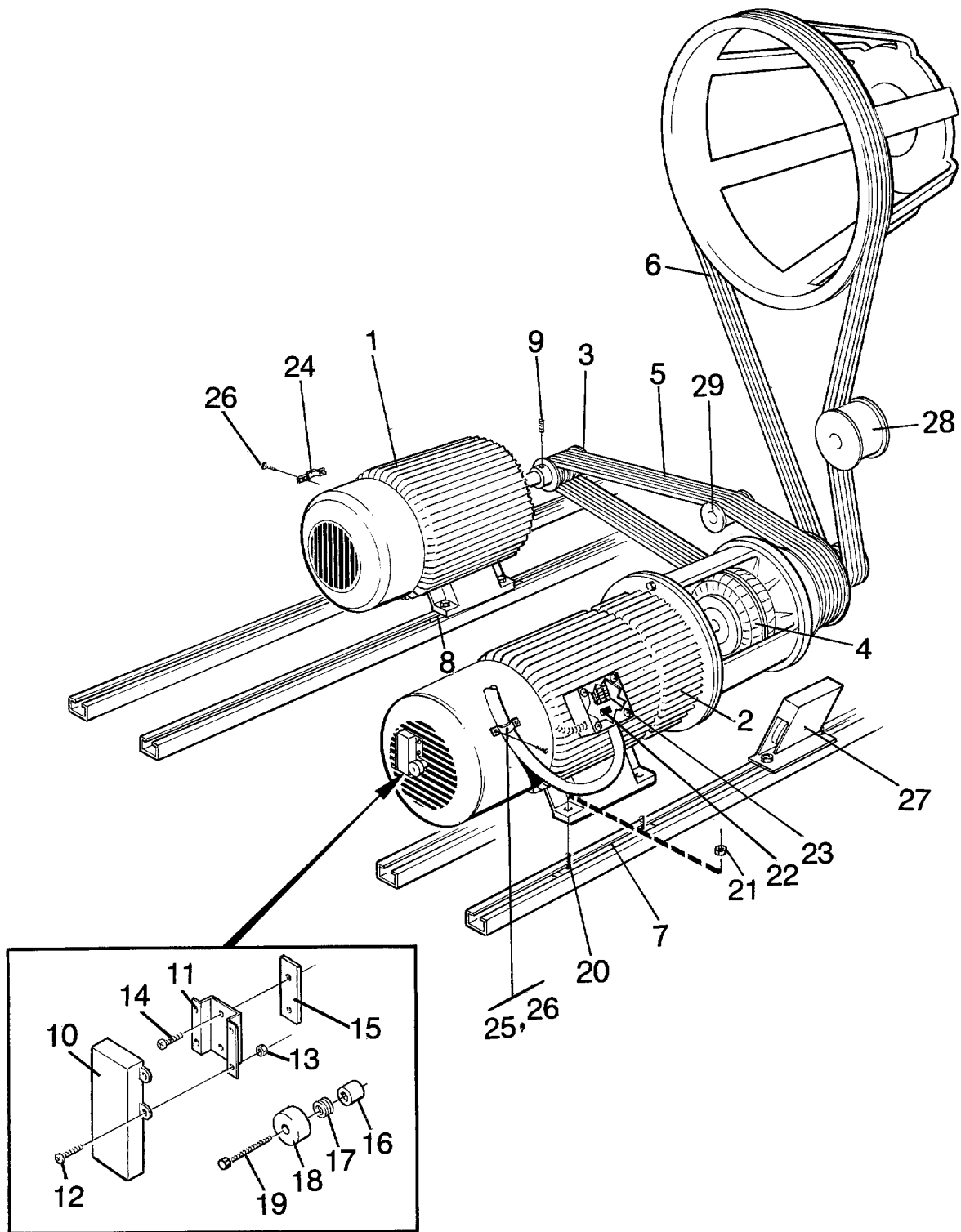
**EX-200,EX-200 HI-TEK**

**Suspension**

**Pied à ressorts**

Illustration Issue Month Year  
Schéma Issue Month Year  
**100423/1 1 5 1988**

Item Article	Qua Qua	Art.No Réf. article	Description	Description	Info Info	Notes Remarques
<b>1</b>	1	<b>471 4108-79</b>	Spring strut	Pied à ressorts	1	Complete
<b>2</b>	2	<b>471 9224-60</b>	•Link head	•Tête de liaison	1	
<b>3</b>	2	<b>731 2324-01</b>	•Nut	•Écrou	3	M16
<b>4</b>	1	<b>471 4310-94</b>	•Cylinder	•Cylindre	3	
<b>5</b>	1	<b>471 4310-95</b>	•Shaft	•Arbre	3	
<b>6</b>	1	<b>471 4309-56</b>	•Spring	•Ressort	1	
<b>7</b>	2	<b>735 3154-11</b>	•C-clamp	•Presse à main	3	SGH75
<b>8</b>	1	<b>471 4640-71</b>	•End piece	•Pignon	3	
<b>9</b>	1	<b>471 9228-49</b>	•Bearing	•Coussinet	1	
<b>10</b>	1	<b>471 4640-73</b>	•Guide	•Guide	3	
<b>11</b>	1	<b>471 4640-72</b>	•End piece	•Pignon	3	
<b>12</b>	1	<b>471 9018-59</b>	•Washer	•Rondelle	3	
<b>13</b>	1	<b>725 2624-51</b>	•Screw	•Vis	3	M16X30



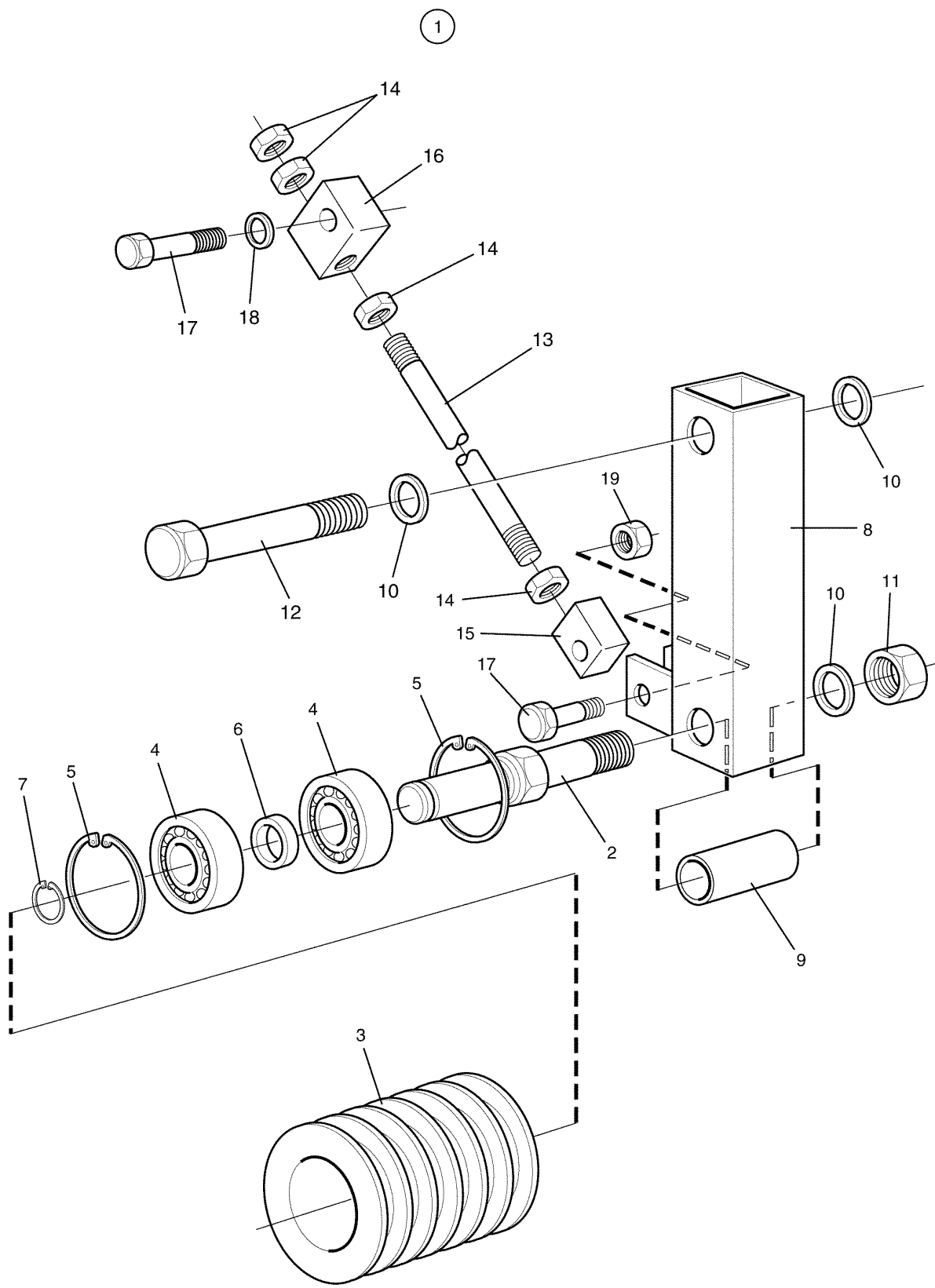
**EX-200,EX-200 HI-TEK**

**Motors**

**Moteurs**

Illustration Issue Month Year  
Schéma Issue Month Year  
**100424 2 9 1991**

Item Article	Qua Qua	Art.No Réf. article	Description	Description	Info Info	Notes Remarques
<b>1</b>	1	<b>471 9228-37</b>	Motor	Moteur	1,2	220V 3AC 50Hz
	1	<b>471 9223-93</b>	Motor	Moteur	1,2	380-415V 3NAC 50Hz
	1	<b>471 9228-38</b>	Motor	Moteur	1,2	208-240V 3AC 60Hz
	1	<b>471 9737-02</b>	Motor	Moteur	1,2	380V 60Hz,
<b>2</b>	1	<b>471 9228-39</b>	Motor	Moteur	1,2	220V 3AC 50Hz
	1	<b>471 9223-94</b>	Motor	Moteur	1,2	380-415V 3NAC 50Hz
	1	<b>471 9228-40</b>	Motor	Moteur	1,2	208-240V 3AC 60Hz
	1	<b>471 9737-01</b>	Motor	Moteur	1,2	380V 60Hz,
<b>3</b>	1	<b>471 4231-01</b>	Pulley	Poulie	1	
<b>4</b>	1	<b>472 6914-01</b>	Connection	Embrayage		50Hz -85/1180
	1	<b>472 6914-02</b>	Connection	Embrayage		60Hz -85/1180
	1	<b>472 6914-03</b>	Clutch	Connexion		50Hz 85/1181-
	1	<b>472 6914-04</b>	Clutch	Connexion		60Hz 85/1181-
<b>5</b>	1	<b>471 7701-50</b>	V-belt	Courroie trapézoïdale	1,2	
<b>6</b>	1	<b>471 7702-50</b>	V-belt	Courroie trapézoïdale	1,2	
<b>7</b>	2	<b>471 4225-01</b>	Motor mounting	Montage du moteur	3	
<b>8</b>	2	<b>471 4225-02</b>	Motor mounting	Montage du moteur	3	
<b>9</b>	1	<b>728 8489-01</b>	Screw	Vis	3	SK6SS M10X16
<b>10</b>	1	<b>471 9578-12</b>	Speed control	Contrôle vitesse	1,2	
	1	<b>471 9578-13</b>	Speed control	Contrôle vitesse	1,2	
<b>11</b>	1	<b>472 6939-01</b>	Bracket	Support de montage	3	
<b>12</b>	4	<b>724 1289-01</b>	Screw	Vis	3	M4X10
<b>13</b>	4	<b>732 2112-01</b>	Locking nut	Contre-écrou	3	M4
<b>14</b>	2	<b>724 1323-01</b>	Screw	Vis	3	M5X8
<b>15</b>	1	<b>472 6940-01</b>	Washer	Rondelle	3	
<b>16</b>	1	<b>471 4227-01</b>	Spacer	Entretoise	3	
<b>17</b>	RQ	<b>734 1164-01</b>	Washer	Rondelle	3	8,4X17
<b>18</b>	1	<b>471 9578-50</b>	Magnet	Aimant	1,2	
<b>19</b>	1	<b>725 2463-51</b>	Screw	Vis	3	M8X60
<b>20</b>	8	<b>725 2634-51</b>	Screw	Vis	1	M16X70
<b>21</b>	8	<b>732 2124-01</b>	Locking nut	Contre-écrou	1	M16
<b>22</b>	1	<b>762 7412-57</b>	Terminal connection	Bloc de connexion	1	
<b>23</b>	2	<b>762 7202-57</b>	Terminal connection	Bloc de connexion	1	2-pole
<b>24</b>	1	<b>471 9004-75</b>	Bracket	Support de montage	3	
<b>25</b>	1	<b>471 9004-75</b>	Bracket	Support de montage	3	
<b>26</b>	4	<b>729 9342-61</b>	Screw	Vis	3	4,2X13
<b>27</b>	1	<b>472 7946-01</b>	Switch	Commutateur	1,2	Complete 85/1181-
<b>28</b>	1	<b>472 6902-02</b>	Belt tensioner	Tendeur de courroie	1	50Hz See illustr. 100426
	1	<b>472 6902-03</b>	Belt tensioner	Tendeur de courroie	1	60Hz See illustr. 100426
<b>29</b>	1	<b>472 6902-01</b>	Belt tensioner	Tendeur de courroie	1	See illustr. 100425



Issue	Month	Year
02	05	99

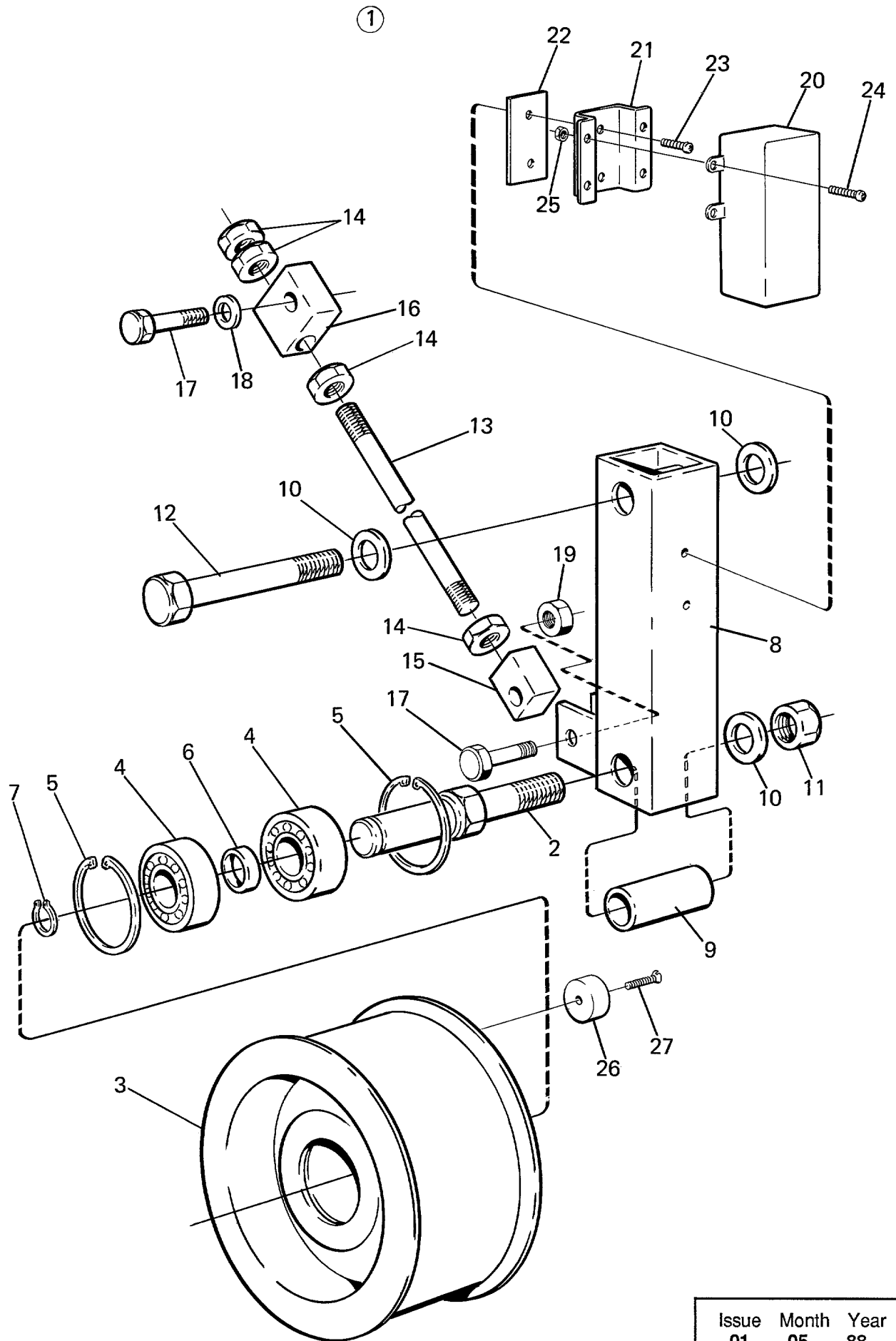
**EX-200,EX-200 HI-TEK**

**Belt tensioner wash**

**Tendeur de courroie de lavage**

Illustration Issue Month Year  
Schéma Issue Month Year  
**100425/1 1 5 1988**

Item Article	Qua Qua	Art.No Réf. article	Description	Description	Info Info	Notes Remarques
<b>1</b>	1	<b>472 6902-01</b>	Belt tensioner	Tendeur de courroie	1	Complete
<b>2</b>	1	<b>472 6903-01</b>	•Shaft	•Arbre	3	
<b>3</b>	1	<b>471 4232-01</b>	•Pulley	•Poulie	1	
<b>4</b>	2	<b>738 2104-03</b>	•Bearing	•Coussinet	1	
<b>5</b>	2	<b>735 3138-10</b>	•Circlip	•Attache en forme C	3	SGH42 -88/1436
	1	<b>735 3138-10</b>	•Circlip	•Attache en forme C	3	SGH42 88/1437-
<b>6</b>	1	<b>471 4634-37</b>	•Spacer	•Entretoise	3	
<b>7</b>	1	<b>735 3122-00</b>	•C-clamp	•Presse à main	3	SGA20
<b>8</b>	1	<b>472 6904-01</b>	•Arm	•Bras	3	50Hz
<b>9</b>	2	<b>472 6907-01</b>	•Spacer	•Entretoise	3	
<b>10</b>	4	<b>734 1186-01</b>	•Washer	•Rondelle	3	BRB 17X30
<b>11</b>	1	<b>732 2124-01</b>	•Locking nut	•Contre-écrou	3	M16
<b>12</b>	1	<b>725 2640-51</b>	•Screw	•Vis	3	M16X100
<b>13</b>	1	<b>471 2277-92</b>	•Screw	•Vis	3	
<b>14</b>	4	<b>731 2320-01</b>	•Nut	•Écrou	3	M10
<b>15</b>	1	<b>471 2277-91</b>	•Bracket	•Support de montage	3	
<b>16</b>	1	<b>471 2277-86</b>	•Bracket	•Support de montage	3	
<b>17</b>	2	<b>725 2497-51</b>	•Screw	•Vis	3	M10X35
<b>18</b>	1	<b>734 1173-01</b>	•Washer	•Rondelle	3	BRB 10,5X21
<b>19</b>	1	<b>731 2120-01</b>	•Nut	•Écrou	3	M10



100426

Issue	Month	Year
01	05	88



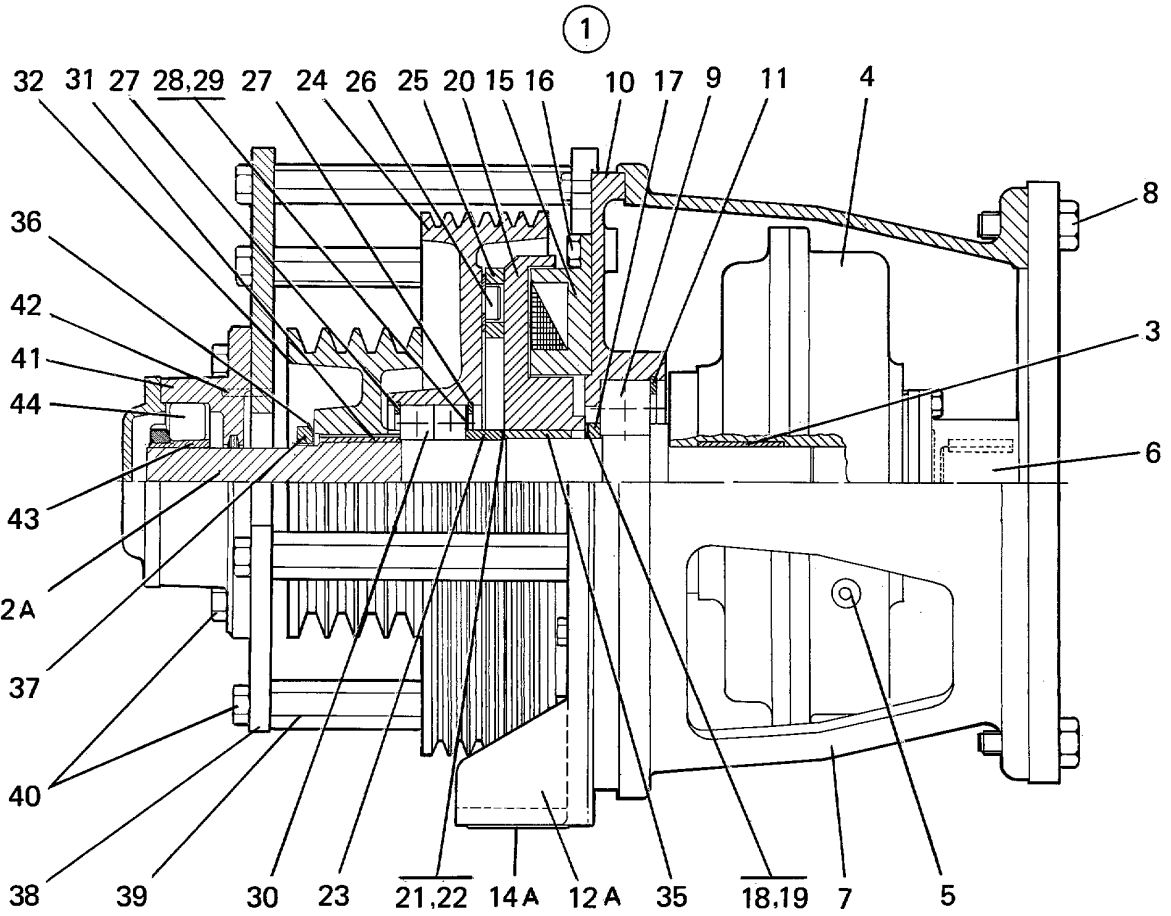
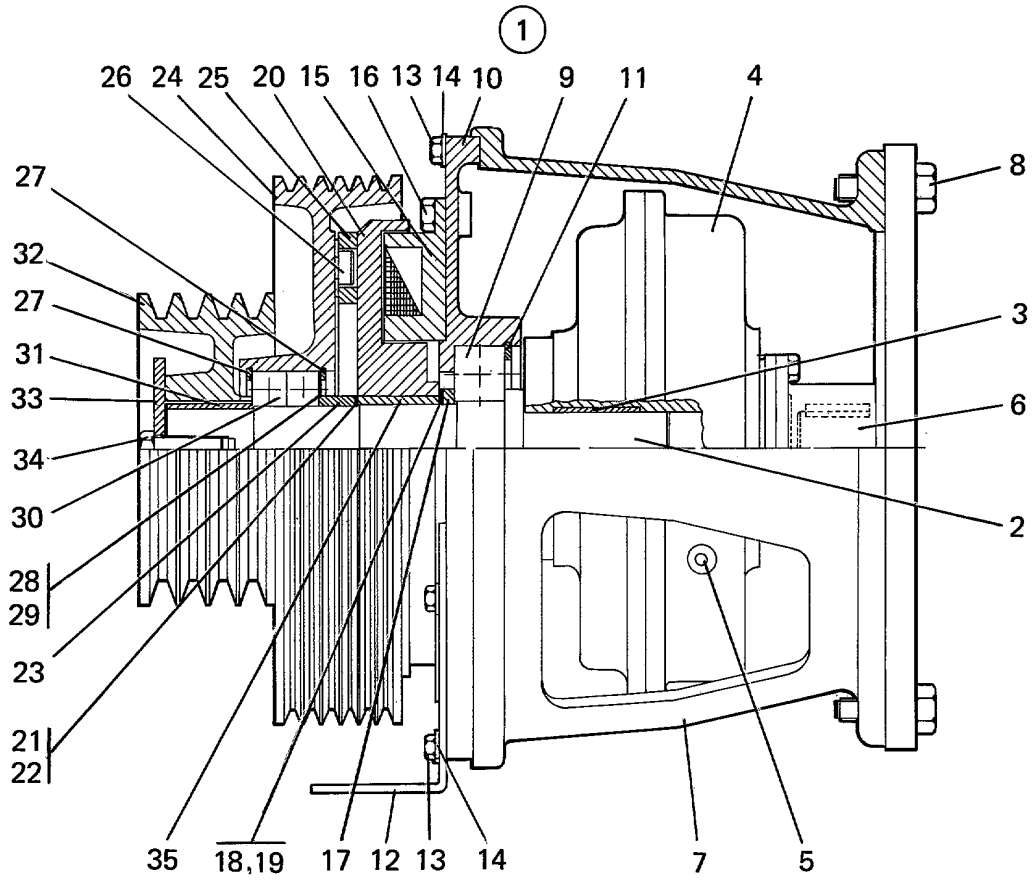
**EX-200,EX-200 HI-TEK**

**Belt tensioner centrifugal**

**Tendeur de courroie essorage**

Illustration Issue Month Year  
Schéma Issue Month Year  
**100426 1 5 1988**

Item Article	Qua Qua	Art.No Réf. article	Description	Description	Info Info	Notes Remarques
1	1	472 6902-02	Belt tensioner	Tendeur de courroie	1	50Hz Complete
	1	472 6902-03	Belt tensioner	Tendeur de courroie	1	60Hz Complete
2	1	472 6903-01	•Shaft	•Arbre	3	
3	1	471 4234-01	•Pulley	•Poulie	1	
4	2	738 2304-33	•Ball bearing	•Roulement à billes	1	
5	2	735 3143-10	•C-clamp	•Presse à main	3	SGH52
6	1	471 4634-36	•Spacer	•Entretoise	3	
7	1	735 3122-00	•C-clamp	•Presse à main	3	SGA20
8	1	472 6904-01	•Arm	•Bras	3	50Hz
	1	472 6904-02	•Arm	•Bras	3	60Hz
9	2	472 6907-01	•Spacer	•Entretoise	3	
10	4	734 1186-01	•Washer	•Rondelle	3	BRB 17X30
11	1	732 2124-01	•Locking nut	•Contre-écrou	3	M16
12	1	725 2640-51	•Screw	•Vis	3	M16X100
13	1	471 2277-92	•Screw	•Vis	3	
14	4	731 2320-01	•Nut	•Écrou	3	M10
15	1	471 2277-91	•Bracket	•Support de montage	3	
16	1	471 2277-86	•Bracket	•Support de montage	3	
17	2	725 2497-51	•Screw	•Vis	3	M10X35
18	1	734 1173-01	•Washer	•Rondelle	3	BRB 10,5X21
19	1	731 2120-01	•Nut	•Écrou	3	M10
20	1	471 9578-12	Speed control	Contrôle vitesse	1,2	WITH MOTORBRAKE
	1	471 9578-13	Speed control	Contrôle vitesse	1,2	
21	1	472 6939-01	Bracket	Support de montage	3	
22	1	472 6940-01	Washer	Rondelle	3	
23	2	724 1323-01	Screw	Vis	3	M5X8
24	4	724 1289-42	Screw	Vis	3	M4X10
25	4	732 2112-01	Locking nut	Contre-écrou	3	M4
26	2	471 9202-12	Magnet	Aimant	1,2	Blue
27	1	724 3295-61	Screw	Vis	3	M4X20



Issue	Month	Year
02	04	90

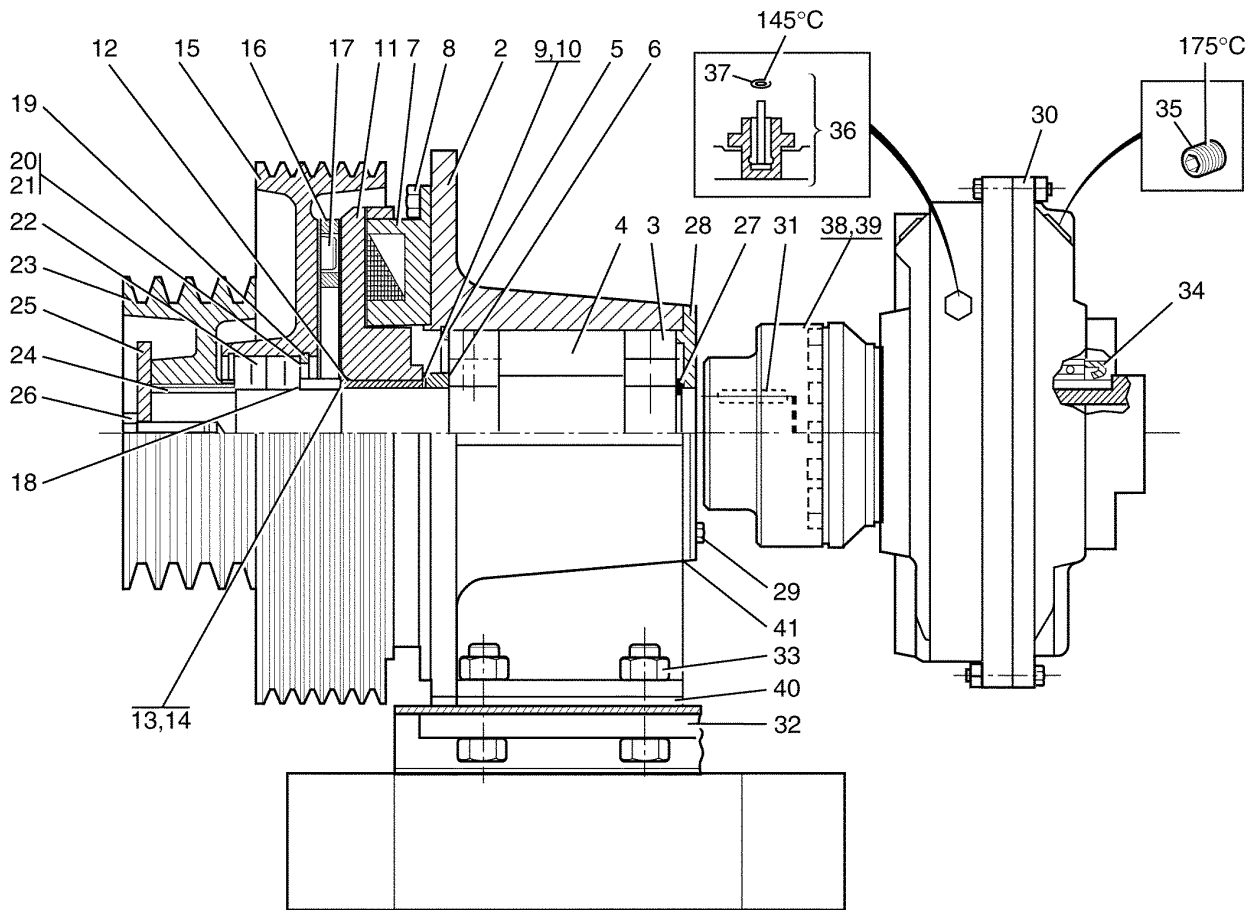
**EX-200 HI-TEK,EX-200 -85/1180**

**Clutch  
Connexion**

Illustration Issue Month Year  
Schéma Issue Month Year  
**100431 3 9 1991**

Item Article	Qua Qua	Art.No Réf. article	Description	Description	Info Info	Notes Remarques
<b>1</b>		<b>472 6914-01</b>	Connection	Embrayage	1	50Hz Complete
		<b>472 6914-02</b>	Connection	Embrayage	1	60Hz Complete
<b>2</b>	1	<b>471 4237-01</b>	•Shaft	•Arbre	3	
<b>3</b>	1	<b>735 9435-01</b>	•Wedge	•Poulie courroie V	3	
<b>4</b>	1	<b>471 9557-01</b>	•Connection	•Embrayage	1	
<b>5</b>	1	<b>471 8775-02</b>	•Fuse	•Porte-fusible	1,2	145°C
<b>6</b>	1	<b>472 6915-01</b>	•Disc	•Disque	3	
<b>7</b>	1	<b>472 6912-01</b>	•Housing	•Logement	3	
<b>8</b>	4	<b>725 2628-51</b>	•Screw	•Vis	3	M16X40
<b>9</b>	1		•Ball bearing	•Roulement à billes	1	
<b>10</b>	1	<b>471 4238-02</b>	•Cover	•Couvercle	3	
<b>11</b>	1	<b>735 3171-10</b>	•C-clamp	•Presse à main	3	SGH120
<b>12</b>	1	<b>472 6913-01</b>	•Bracket	•Support de montage	3	
<b>13</b>	6	<b>725 2459-51</b>	•Screw	•Vis	3	M8X40
<b>14</b>	6	<b>734 1164-01</b>	•Washer	•Rondelle	3	8,4X17
<b>15</b>	1	<b>471 9552-13</b>	•Magnet	•Aimant	1,2	
<b>16</b>	4	<b>725 2491-51</b>	•Screw	•Vis	3	M10X20
<b>17</b>	1	<b>471 4633-87</b>	•Spacer	•Entretoise	3	
<b>18</b>	4	<b>471 8519-03</b>	•Washer	•Rondelle	3	
<b>19</b>	4	<b>471 8519-04</b>	•Washer	•Rondelle	3	
<b>20</b>	1	<b>471 9552-12</b>	•Rotor	•Rotor	1,2	
<b>21</b>	4	<b>471 8519-03</b>	•Washer	•Rondelle	3	
<b>22</b>	4	<b>471 8519-06</b>	•Washer	•Rondelle	3	
<b>23</b>	1	<b>471 4633-86</b>	•Spacer	•Entretoise	3	
<b>24</b>	1	<b>471 4235-01</b>	•Pulley	•Poulie	3	
<b>25</b>	1	<b>471 9552-11</b>	•Pressure plate	•Plaque de pression	1	
<b>26</b>	4	<b>471 8319-01</b>	•Screw	•Vis	3	M12X25
<b>27</b>	2	<b>735 3160-10</b>	•C-clamp	•Presse à main	3	SGH90
<b>28</b>	3	<b>471 8519-01</b>	•Washer	•Rondelle	3	
<b>29</b>	3	<b>471 8519-02</b>	•Washer	•Rondelle	3	
<b>30</b>	2		•Ball bearing	•Roulement à billes	1	
<b>31</b>	1	<b>471 9219-52</b>	•Wedge	•Poulie courroie V	3	
<b>32</b>	1	<b>471 4233-01</b>	•Pulley	•Poulie	3	50Hz
	1	<b>471 4230-01</b>	•Pulley	•Poulie	1	60Hz
<b>33</b>	1	<b>471 2417-19</b>	•Washer	•Rondelle	3	
<b>34</b>	1	<b>471 9076-01</b>	•Wedge	•Poulie courroie V	3	M12X40
<b>35</b>	1	<b>735 9561-00</b>	•Wedge	•Poulie courroie V	3	
	RQ	<b>874 6611-01</b>	Hydraulic fluid	Huile hydraulique	1,2	1,9L SHELL TEGULA 32 BP ENERGOL HLP 65 ESSO TERESSO N45 ARAL HTV

1



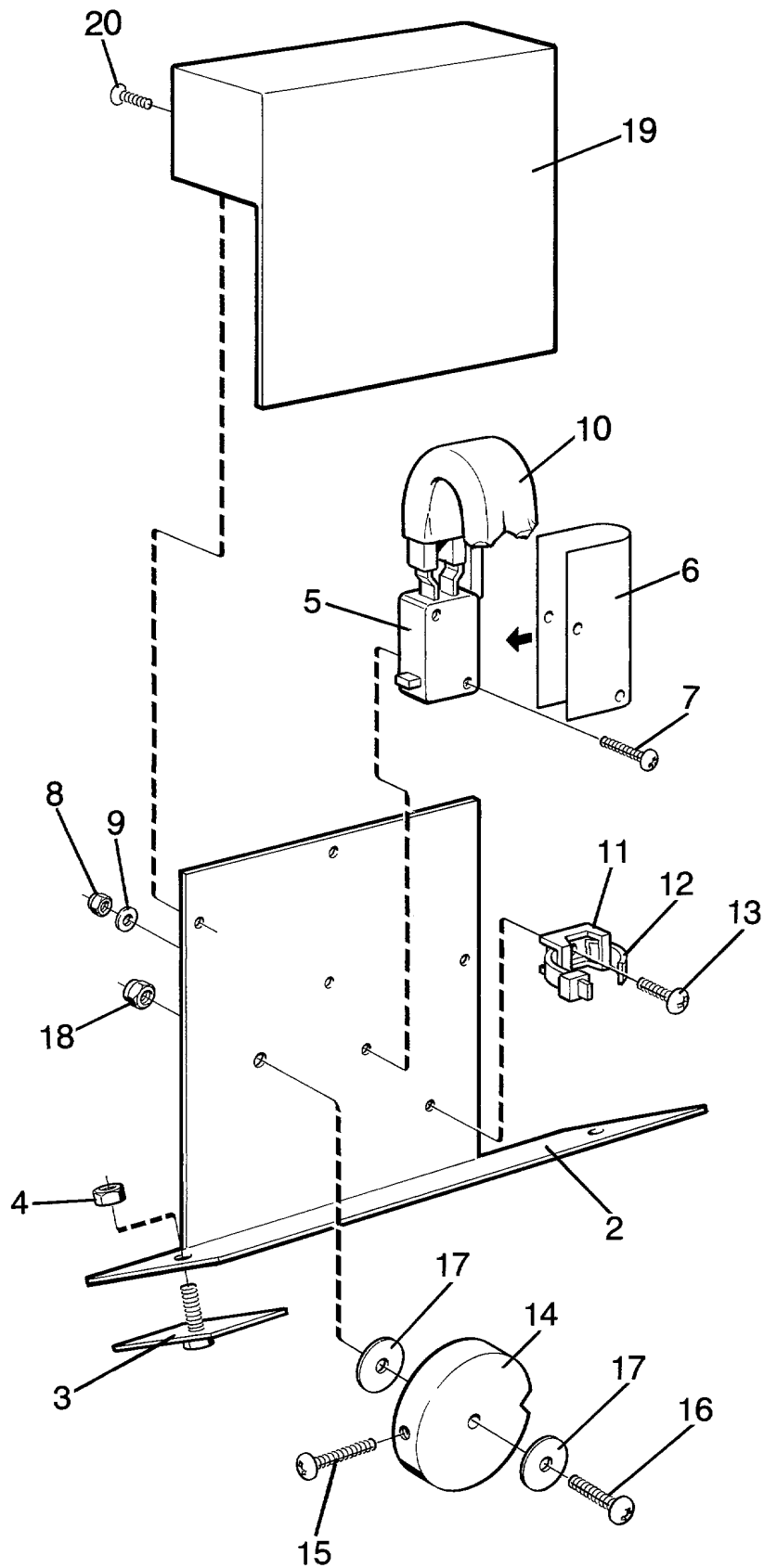
**EX-200 HI-TEK,EX-200 85/1181-**

**Clutch  
Connexion**

Illustration Issue Month Year  
Schéma Issue Month Year  
**100432/1 3 3 1993**

Item Article	Qua Qua	Art.No Réf. article	Description	Description	Info Info	Notes Remarques
1	1	472 6914-03	Clutch	Connexion	1	50Hz Complete
	1	472 6914-04	Clutch	Connexion	1	60Hz Complete
2	1	472 6892-01	•Bearing housing	•Logement de palier	3	
3	2	738 2311-34	•Ball bearing	•Roulement à billes	1	
4	1	471 4237-03	•Shaft	•Arbre	1	
5	1	735 3171-10	•C-clamp	•Presse à main		SGH120
6	1	472 6893-01	•Spacer	•Entretoise	1	
7	1	471 9552-13	•Magnet	•Aimant	1,2	
8	4	725 2491-51	•Screw	•Vis	1	M10X20
9	4	471 8519-03	•Washer	•Rondelle	1	
10	4	471 8519-04	•Washer	•Rondelle	1	
11	1	471 9552-12	•Rotor	•Rotor	1,2	
12	1	735 9561-00	•Wedge	•Poulie courroie V	1	
13	4	471 8519-05	•Washer	•Rondelle	1	
14	4	471 8519-06	•Washer	•Rondelle	1	
15	1	471 4235-01	•Pulley	•Poulie	1	
16	1	471 9552-11	•Pressure plate	•Plaque de pression	1,2	
17	4	471 8319-01	•Screw	•Vis	1	M12X25
18	1	471 4633-86	•Spacer	•Entretoise	1	
19	2	735 3160-10	•C-clamp	•Presse à main	1	SGH90
20	3	471 8519-01	•Washer	•Rondelle	1	
21	3	471 8519-02	•Washer	•Rondelle	1	
22	2	738 2210-18	•Ball bearing	•Roulement à billes	1,2	
23	1	471 4233-01	•Pulley	•Poulie	1	50Hz
	1	471 4230-01	•Pulley	•Poulie	1	60Hz
24	1	471 9219-52	•Wedge	•Poulie courroie V	1	
25	1	471 2417-19	•Washer	•Rondelle	1	
26	1	725 2540-51	•Screw	•Vis	1	M12X40
27	1	735 3144-00	•C-clamp	•Presse à main	1	SgA55
28	1	472 6891-01	•Bearing cover	•Chapeau de palier	3	
29	6	725 2368-51	•Screw	•Vis	1	M6X16
30	1	471 9557-02	•Clutch	•Embrayage	1	
31	1	735 9435-01	•Wedge	•Poulie courroie V	1	
32	2	471 4225-03	•Bracket	•Support de montage	1	
33	6	732 2124-01	•Locking nut	•Contre-écrou	1	M16
34	1	471 9557-51	•Gasket kit	•Pochette de joints	1	
35	1	471 8775-03	•Melt fuse	•Fusible	1	175°C
36	1	471 8776-01	•Melt fuse	•Fusible	1	
37	1	471 8775-04	•Fuse	•Porte-fusible	1,2	145°C
38	1	471 9557-53	•Clutch	•Embrayage	1,2	
39	1	471 6696-93	•Repair kit	•Kit de réparation	1	12 PCS RUBBER SPRING
40	RQ	471 9043-01	Washer	Rondelle	3	
41	RQ	071 8519-14			3	

1



Issue	Month	Year
01	05	88

**EX-200 HI-TEK,EX-200 85/1181-**

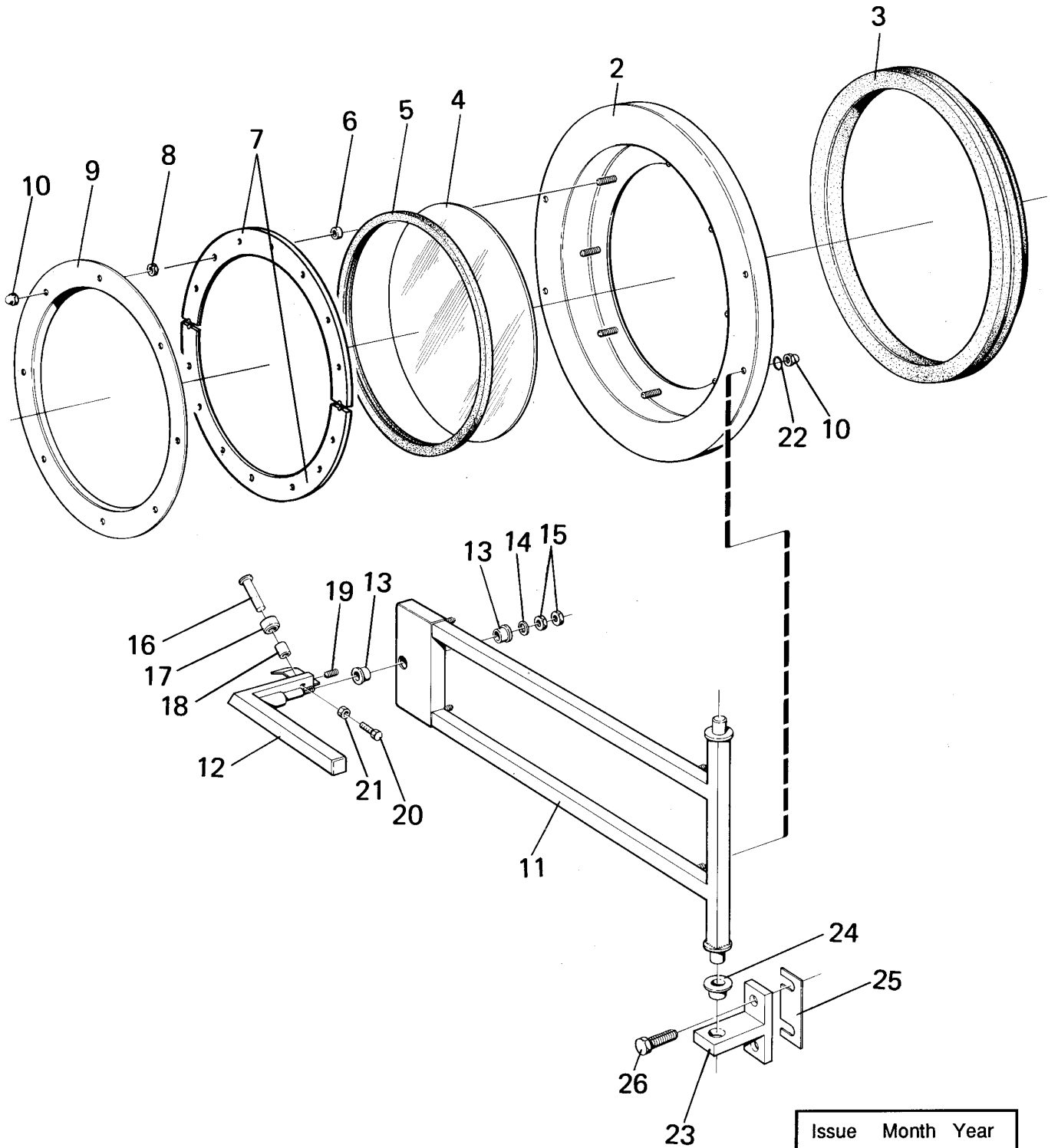
**Switch for hydraulic coupling**

**Commutateur, connexion hydraulique**

Illustration Issue Month Year  
Schéma Issue Month Year  
**100433 5 1 2003**

Item Article	Qua Qua	Art.No Réf. article	Description	Description	Info Info	Notes Remarques
<b>1</b>	1	<b>472 7946-01</b>	Switch	Commutateur	1,2	Complete
<b>2</b>	1	<b>472 7948-01</b>	•Plate	•Tableau	3	
<b>3</b>	2	<b>472 7950-01</b>	•Bracket	•Support de montage	3	
<b>4</b>	2	<b>732 2116-01</b>	•Locking nut	•Contre-écrou	3	M6
<b>5</b>	1	<b>472 9904-86</b>	•Micro switch	•Micro-interrupteur	1,2	
<b>6</b>	1	<b>472 9764-01</b>	•	•	3	
<b>7</b>	2	<b>724 1230-01</b>	•Screw	•Vis	3	M3X20
<b>8</b>	2	<b>732 2110-01</b>	•Locking nut	•Contre-écrou	3	M3
<b>9</b>	1	<b>734 1124-01</b>	•Washer	•Rondelle	3	BRB 3X7
<b>10</b>	1	<b>471 4081-12</b>	•Cable set	•Jeu de câbles	3	
<b>11</b>	1	<b>471 9004-75</b>	Bracket	Support de montage	3	
<b>1</b>	1	<b>762 9105-05</b>	•Cable strap	•Serre-câble	3	
<b>13</b>	1	<b>724 1285-01</b>	•Screw	•Vis	3	M4X6
<b>14</b>	1	<b>472 7947-01</b>	•Pulley	•Roue	3	
<b>15</b>	1	<b>725 1299-01</b>	•Screw	•Vis	3	M4X30
<b>16</b>	1	<b>724 1295-01</b>	•Screw	•Vis	3	M4X20
<b>17</b>	2	<b>734 1808-51</b>	•Washer	•Rondelle	3	NB 5X16
<b>18</b>	1	<b>732 2112-01</b>	•Locking nut	•Contre-écrou	3	M4
<b>19</b>	1	<b>472 7949-01</b>	•Cover	•Couvercle	3	
<b>20</b>	3	<b>724 1220-61</b>	•Screw	•Vis	3	M3X6

1





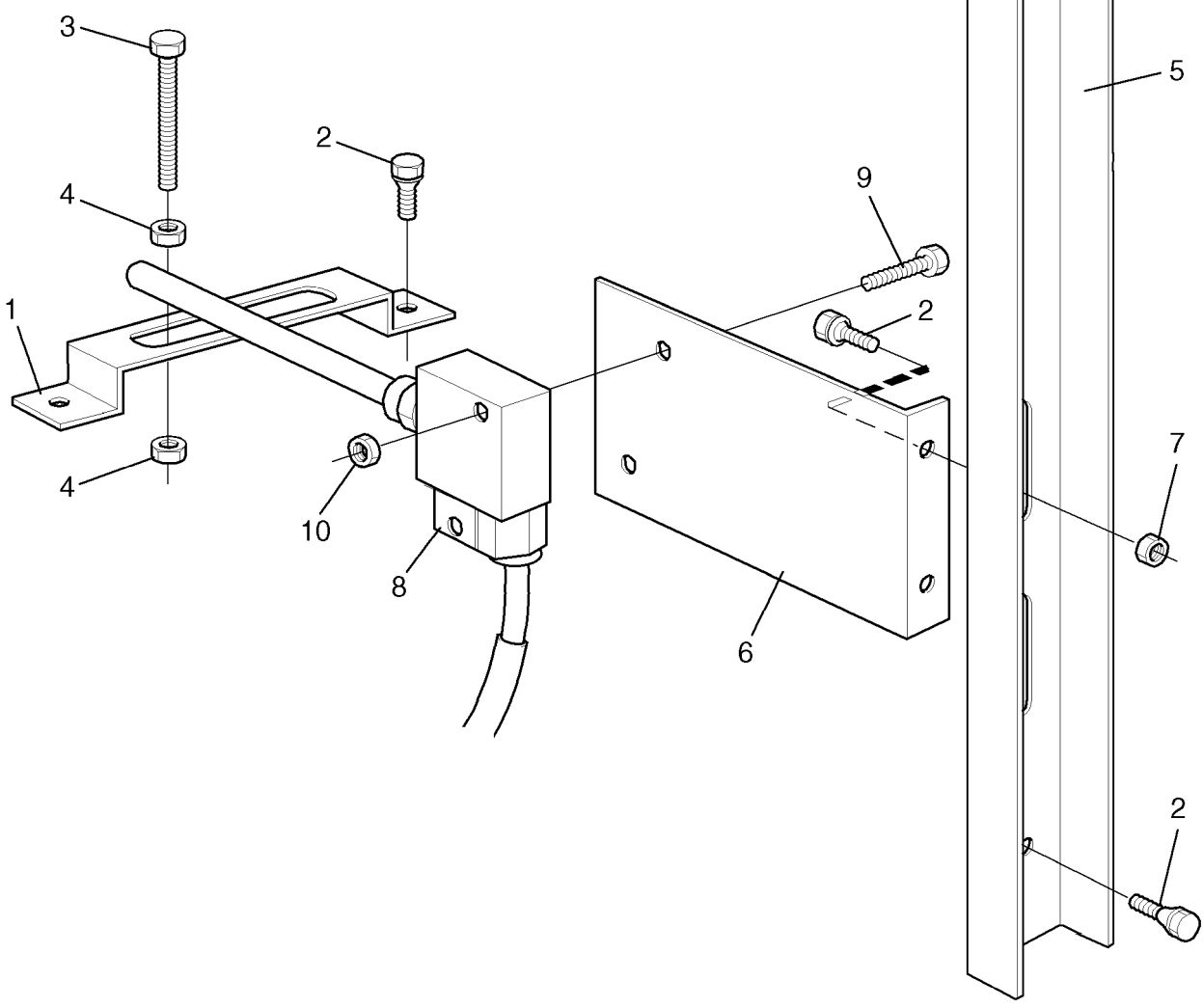
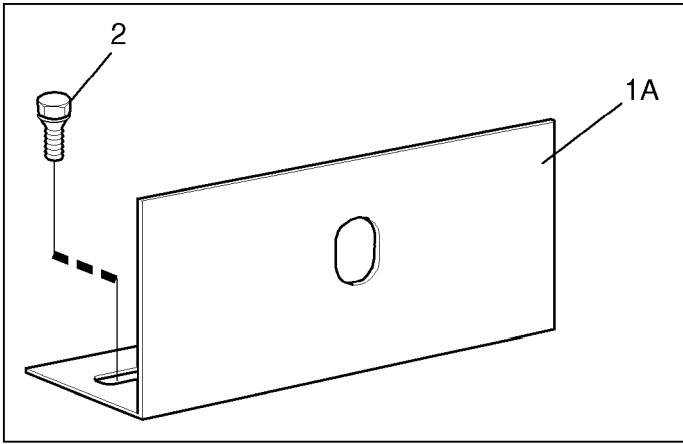
**EX-200 HI-TEK,EX-200 85/1181-**

**Door**

**Plaque**

Illustration Issue Month Year  
Schéma Issue Month Year  
**100434 2 4 1995**

Item Article	Qua Qua	Art.No Réf. article	Description	Description	Info Info	Notes Remarques
1	1	471 2461-24	Door	Plaque	3	Complete
2	1	471 5516-00	•Door ring	•Anneau de la porte	3	
3	1	471 5631-00	•Door gasket	•Joint de la porte	1,2	
4	1	471 4605-14	•Door glass	•Vitre de la porte	1,2	
5	1	471 5511-01	•Seal	•Joint	1,2	
6	8	471 5523-00	•Spacer	•Entretoise	3	
7	2	438 4832-01	•Washer	•Rondelle	3	
8	8	731 2316-42	•Nut	•Écrou	3	M6
9	1	471 5525-00	•Ring	•Anneau	3	
10	12	732 3116-14	•Nut	•Écrou	3	M6
11	1	471 2461-34	•Bracket	•Pupitre	1	
12	1	471 2461-28	•Handle	•Poignée	1	
13	2	471 9228-98	•Bearing	•Coussinet	1	
14	1	471 2461-40	•Washer	•Rondelle	3	
15	2	731 2320-42	•Nut	•Écrou	3	M10
16	1	471 2461-25	•Pin	•Goupille	3	
17	1	471 9228-97	•Bearing	•Coussinet	1,2	
18	1	471 2461-27	•Pipe	•Tube	3	
19	1	728 8445-01	•Screw	•Vis	3	SK6SS 8X10
20	1	725 2327-42	•Screw	•Vis	3	M5X12
21	1	731 2314-42	•Nut	•Écrou	3	M4
22	4	734 1153-09	•Washer	•Rondelle	3	BRB 6,4X12
23	2	471 2461-41	Bracket	Support de montage	1	
24	2	471 9209-24	Bearing	Coussinet	1,2	
25	RQ	471 2418-14	Plate	Plaque	3	
26	4	725 2542-42	Screw	Vis	3	M12X50



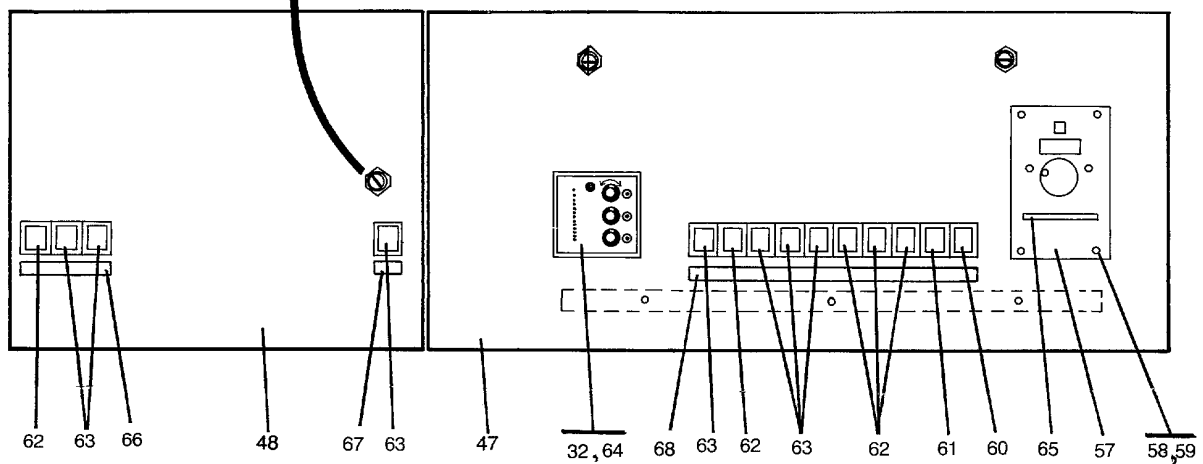
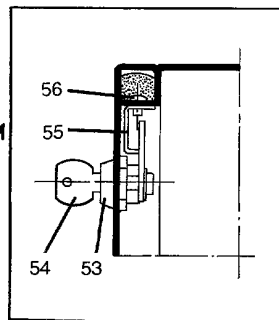
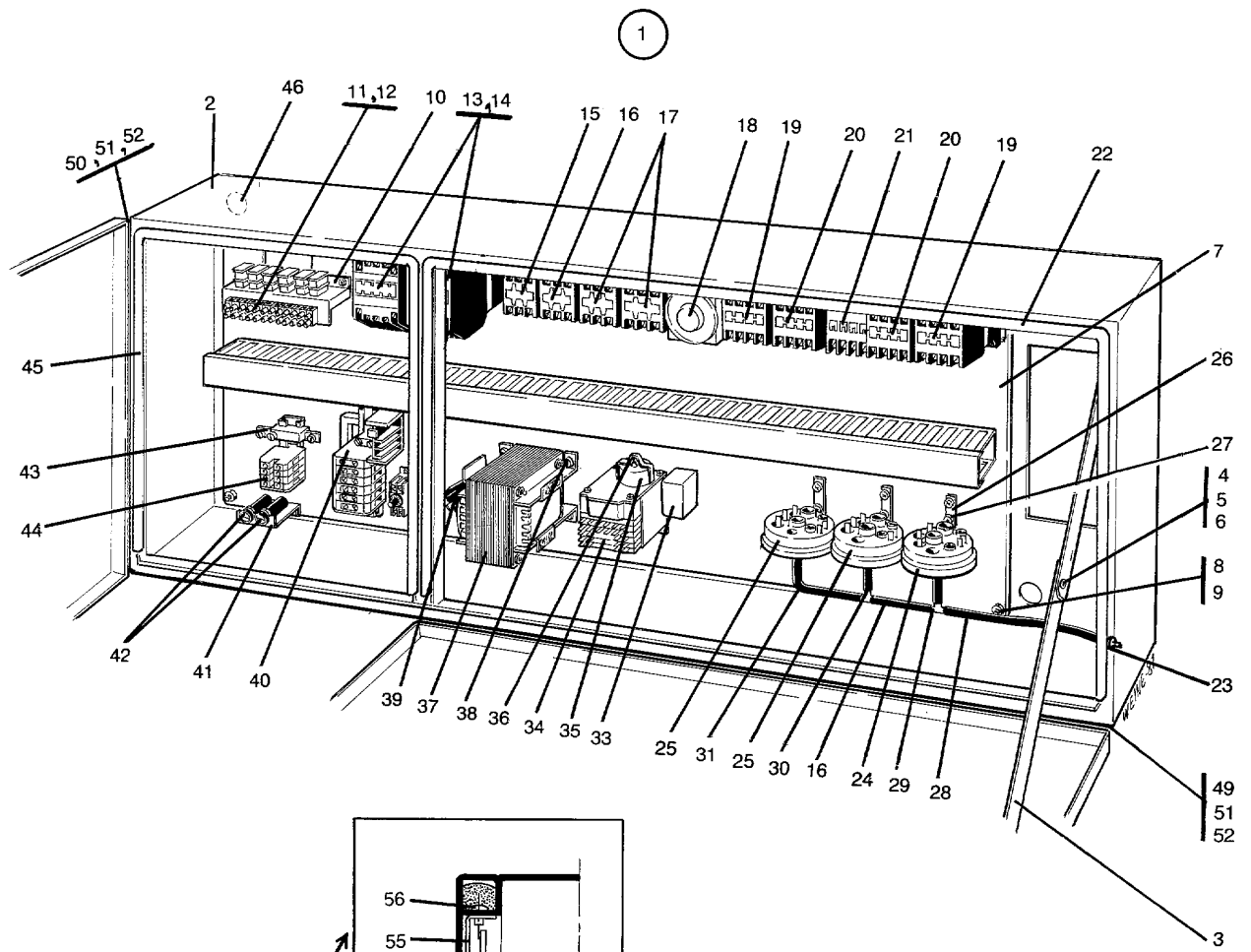
**EX-200,EX-200 HI-TEK**

**Out of balance switch**

**Commutateur asymétrique**

Illustration Issue Month Year  
Schéma Issue Month Year  
**100435/2 2 4 2001**

Item Article	Qua Qua	Art.No Réf. article	Description	Description	Info Info	Notes Remarques
<b>1</b>	1	<b>471 4641-10</b>	Bracket	Support de montage	3	
<b>1A</b>	1	<b>432 5099-01</b>	Angle	Coude	3	
<b>2</b>	6	<b>725 2366-61</b>	Screw	Vis	3	M6SF 6X12
<b>3</b>	2	<b>725 2466-51</b>	Screw	Vis	3	M8X75
<b>4</b>	4	<b>732 2118-01</b>	Locking nut	Contre-écrou	3	M8
<b>5</b>	1	<b>472 6390-02</b>	U-section	Fer en forme de U	3	
<b>6</b>	1	<b>471 4641-08</b>	Bracket	Support de montage	3	
<b>7</b>	2	<b>732 2116-01</b>	Locking nut	Contre-écrou	3	M6
<b>8</b>	1	<b>471 9069-87</b>	Safety switch	Disjoncteur protection	1,2	
<b>9</b>	2	<b>724 1337-01</b>	Screw	Vis	3	M5X35
<b>10</b>	2	<b>731 2314-01</b>	Nut	Écrou	3	M5



Issue	Month	Year
01	05	88

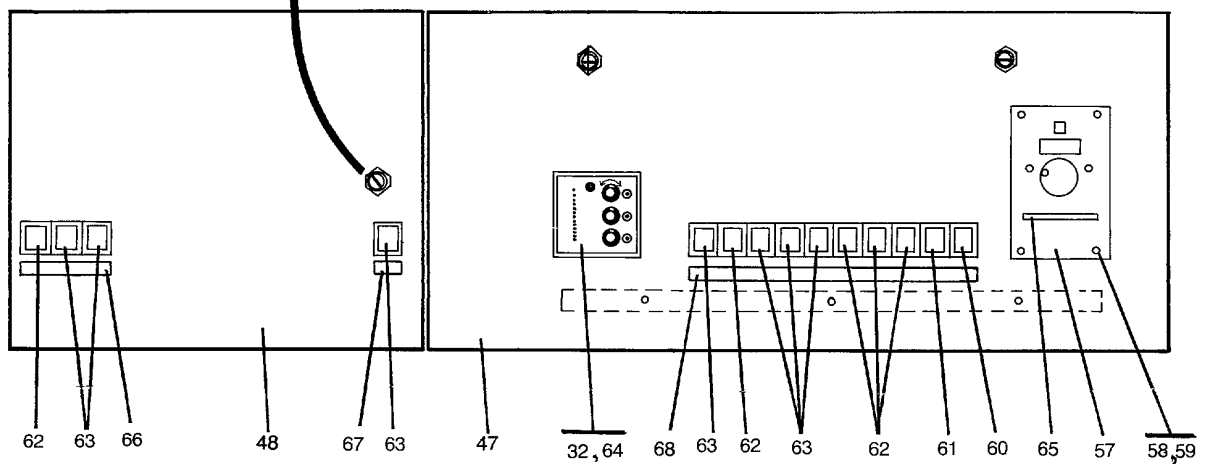
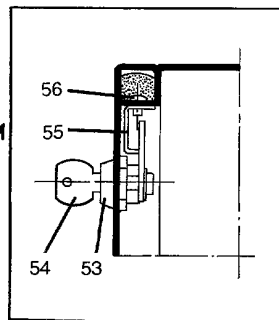
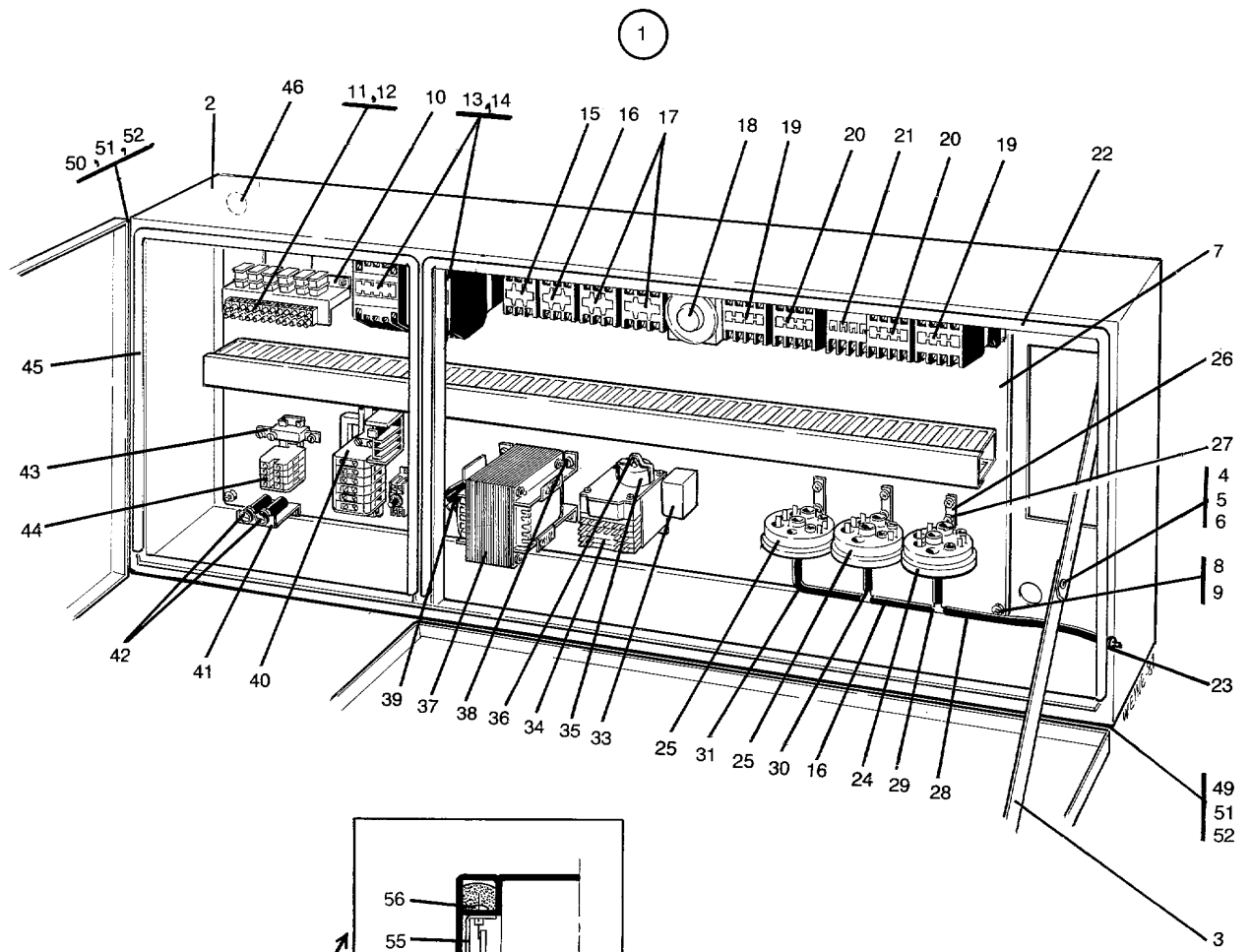
**EX-200 HI-TEK,EX-200 -83/1060**

**Control unit**

**Unité de commande**

Illustration Issue Month Year  
Schéma Issue Month Year  
**100436 3 9 2005**

Item Article	Qua Qua	Art.No Réf. article	Description	Description	Info Info	Notes Remarques
<b>1</b>	1	<b>471 4075-05</b>	Control unit	Unité de contrôle	3	208-240V 3AC 60Hz Complete
	1	<b>471 4075-06</b>	Control unit	Unité de contrôle	3	220V 3AC 50Hz Complete
	1	<b>471 4075-07</b>	Control unit	Unité de contrôle	3	380-415V 3NAC 50Hz Complete
<b>2</b>	1	<b>471 4066-01</b>	•Control box	•Boîtier de contrôle	3	
<b>3</b>	4	<b>471 4636-13</b>	•Brace	•Montant	3	
<b>4</b>	6	<b>724 1222-01</b>	•Screw	•Vis	3	M3X8
<b>5</b>	6	<b>471 9008-98</b>	•Washer	•Rondelle	3	4,3X8
<b>6</b>	6	<b>732 2110-01</b>	•Locking nut	•Contre-écrou	3	M3
<b>7</b>	1	<b>471 4067-01</b>	•Mounting plate	•Plaque de montage	3	
<b>8</b>	6	<b>725 2374-51</b>	•Screw	•Vis	3	M6X30
<b>9</b>	12	<b>731 1216-01</b>	•Nut	•Écrou	3	M6
<b>10</b>	1	<b>471 4068-01</b>	•Rail	•Support	3	
<b>11</b>	1	<b>762 7212-55</b>	•Terminal connection	•Bloc de connexion	3	
<b>12</b>	2	<b>724 1293-01</b>	•Screw	•Vis	3	M4X16
<b>13</b>	2	<b>472 9902-78</b>	•Contactor	•Relais	1,2	50Hz 220-240V 50Hz
	2	<b>472 9902-77</b>	•Contactor	•Relais	1,2	60Hz
<b>14</b>	8	<b>471 9103-08</b>	•Screw	•Vis	3	RXS-B8X16
<b>15</b>	1	<b>471 9606-01</b>	•Contactor	•Relais	1,2	50Hz
	1	<b>471 9606-00</b>	•Contactor	•Relais	1,2	60Hz
<b>16</b>	1	<b>767 5132-10</b>	•Contactor	•Relais	1,2	220V 1AC 50Hz 220-240V 50Hz
	1	<b>767 5131-10</b>	•Contactor	•Relais	1,2	208-230V 60Hz
<b>17</b>	2	<b>767 5112-10</b>	•Contactor	•Relais	1,2	220V 1AC 50Hz 220-240V 50Hz
	2	<b>767 5111-10</b>	•Contactor	•Relais	1,2	208-230V 60Hz
<b>18</b>	1	<b>471 9226-97</b>	•Time relay	•Relais temporisé	1,2	50/60Hz
<b>19</b>	2	<b>767 5131-00</b>	•Contactor	•Relais	1,2	50Hz 220-240V 50Hz
	2	<b>767 5132-00</b>	•Contactor 60Hz	•Relais,60Hz	1,2	60Hz
<b>20</b>	2	<b>767 5122-00</b>	•Contactor	•Relais	1,2	50Hz 220-240V 50Hz
	2	<b>767 5121-00</b>	•Contactor	•Relais	1,2	220/380V 60Hz
<b>21</b>	1	<b>767 5152-00</b>	•Contactor	•Relais	1,2	50Hz 220-240V 50Hz
	1	<b>767 5151-00</b>	•Contactor 60Hz	•Relais,60Hz	1,2	208-230V 60Hz
<b>22</b>	1	<b>471 4640-54</b>	•Rubber strip	•Joint caoutchouc	3	
<b>23</b>	1	<b>471 2462-35</b>	•Nipple	•Raccord	3	
<b>24</b>	1	<b>471 8860-08</b>	•Level control	•Réglage de niveau	1,2	LOW/HIGH
<b>25</b>	2	<b>471 8860-11</b>	•Level control	•Réglage de niveau	1,2	
<b>26</b>	3	<b>471 2413-19</b>	•Angle	•Coude	3	
<b>27</b>	3	<b>729 5279-01</b>	•Screw	•Vis	3	RXS B6X9,5
<b>28</b>	1	<b>471 2564-18</b>	•Hose	•Flexible	1	
<b>29</b>	2	<b>471 2265-69</b>	•T-pipe	•Tube en T	3	
<b>30</b>	2	<b>471 2464-19</b>	•Hose	•Flexible	1	
<b>31</b>	1	<b>471 2264-03</b>	•Hose	•Flexible	1	L=150
<b>* 32</b>	1	<b>472 9901-99</b>	•Thermostat	•Thermostat	1,2	
<b>33</b>	1	<b>471 9651-50</b>	•Buzzer	•Console	3	208-240V
<b>34</b>	1	<b>471 2422-19</b>	•Reverser	•Inverseur	1,2	50Hz
	1	<b>471 2422-20</b>	•Reverser	•Inverseur	1,2	60Hz
<b>35</b>	1	<b>471 9056-91</b>	••Motor	••Moteur	1,2	OLD TIMER 220V 50Hz
	1	<b>471 9056-92</b>	••Motor	••Moteur	1,2	OLD TIMER 208-240V 60Hz
<b>36</b>	1	<b>471 6536-78</b>	••Clamp	••Bride de fixation	3	
<b>37</b>	1	<b>471 9550-05</b>	•Transformer	•Transformateur	1	
<b>38</b>	4	<b>729 5342-01</b>	•Screw	•Vis	3	
<b>39</b>	1	<b>471 9577-01</b>	•Rectifier	•Redresseur	1,2	
<b>40</b>	1	<b>471 9604-00</b>	•Mains current breaker	•Disjoncteur	1	380-415V
	1	<b>471 9604-03</b>	•Mains current breaker	•Disjoncteur	1	200-240V
<b>41</b>	1	<b>471 4074-01</b>	•Fuse holder	•Porte-fusible	1	
<b>42</b>	2	<b>471 8750-12</b>	•Fuse	•Porte-fusible	1,2	1,6A 50Hz 1,6A FOR 50Hz
	2	<b>471 9027-86</b>	•Fuse	•Porte-fusible	1,2	1,6A 60Hz 1,5A FOR 60Hz
<b>43</b>	1	<b>471 7110-80</b>	•Ground connection	•Connexion à la masse	3	220V 3AC
	1	<b>471 7119-10</b>	•Ground connection	•Connexion à la masse	3	380-415V 3NAC
<b>44</b>	1	<b>471 8702-00</b>	•	•	3	



Issue	Month	Year
01	05	88

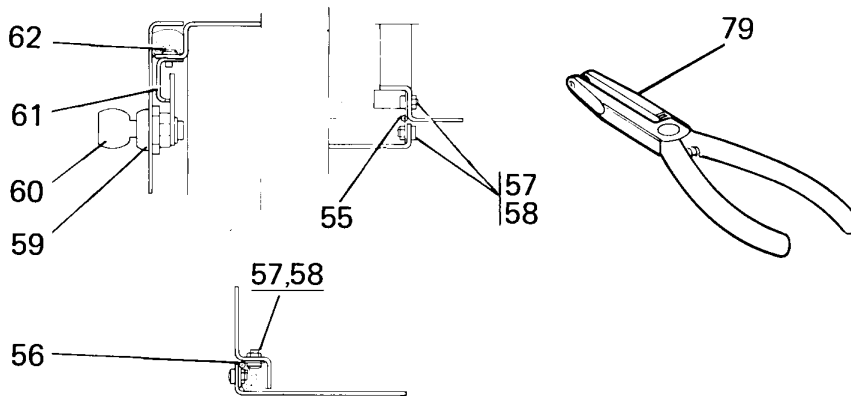
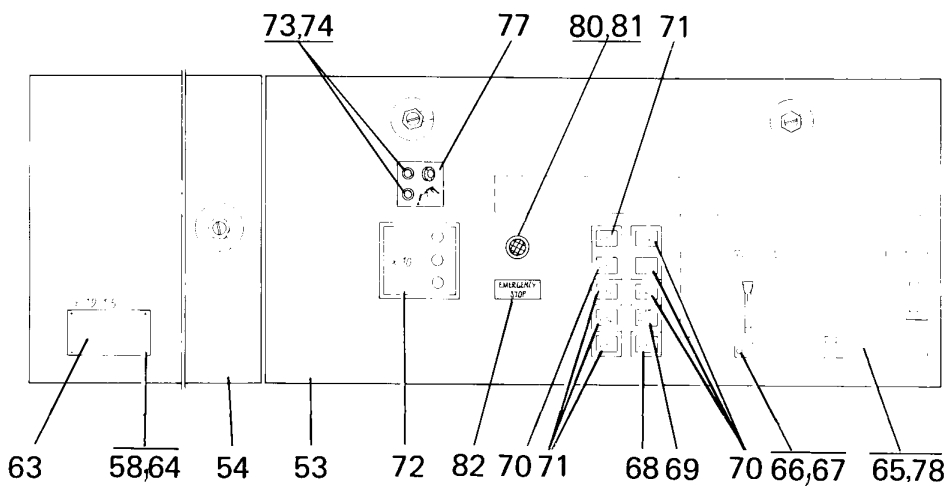
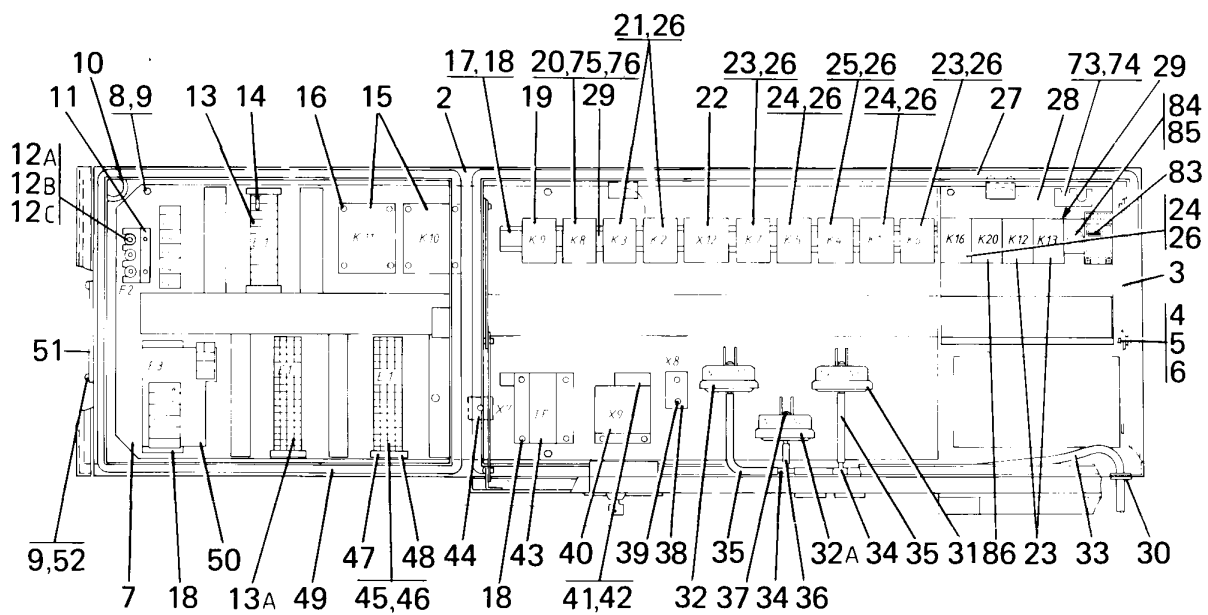
**EX-200 HI-TEK,EX-200 -83/1060**

**Control unit**

**Unité de commande**

Illustration Issue Month Year  
Schéma Issue Month Year  
**100436 3 9 2005**

Item Article	Qua Qua	Art.No Réf. article	Description	Description	Info Info	Notes Remarques
45	1	762 7105-80	•Ground connection	•Connexion à la masse	3	
46	1	471 8174-02	•Rubber strip	•Joint caoutchouc	3	
47	1	762 1209-10	•Grommet	•Oeillet	3	
48	1	471 4070-01	•Door	•Plaque	3	
49	1	471 4071-01	•Door	•Plaque	3	
50	1	471 4640-94	•Hinge	•Charnière	3	
51	1	471 4636-58	•Hinge	•Charnière	3	
52	RQ	724 1289-01	•Screw	•Vis	3	M4X10
53	RQ	731 2312-01	•Nut	•Écrou	3	M4
54	3	471 7826-10	•Lock	•Serrure	1	
55	2	471 7826-20	•Key	•Touche	1,2	FH025
56	3	471 4636-14	•Lock catch	•Ergot de verrouillage	3	
57	6	724 3287-01	•Screw	•Vis	3	M4X8
58	1	471 9219-15	•Card programmer	•Programmeur cartes	1,2	50Hz See group US8337
59	1	471 9223-72	•Card programmer	•Programmeur cartes	1,2	60Hz See group US8337
60	4	724 1329-01	•Screw	•Vis	3	M5X16
61	4	732 2114-01	•Locking nut	•Contre-écrou	3	M5
62	1	471 9226-65	•Pushbutton	•Bouton-poussoir	1,2	
63	1	471 9226-67	•Pushbutton	•Bouton-poussoir	1,2	Yellow
64	5	471 9226-66	•Pushbutton	•Bouton-poussoir	1,2	
65	7	471 9226-68	•Pushbutton	•Bouton-poussoir	1,2	
66	1	471 8806-50	Bracket	Support de montage	3	For thermostat
67	1	471 8955-01	Program card	Carte programme	1	80 STEPS
68	1	471 9219-16	Program card	Carte programme	1	120 STEPS
	1	471 7608-01	Sign	Signe	3	Swedish
	1	471 7608-02	Sign	Signe	3	English
	1	471 7608-03	Sign	Signe	3	ITALIEN
	1	471 7608-04	Sign	Signe	3	Danish
	1	471 7608-05	Sign	Signe	3	Norwegian
	1	471 7608-06	Sign	Signe	3	Finnish
	1	471 7608-07	Sign	Signe	3	Dutch
	1	471 7608-08	Sign	Signe	3	French
	1	471 7608-09	Sign	Signe	3	Spanish
	1	471 7608-10	Sign	Signe	3	German
	1	471 7607-01	Sign	Signe	3	Swedish
	1	471 7607-02	Sign	Signe	3	English
	1	471 7607-03	Sign	Signe	3	ITALIEN
	1	471 7607-04	Sign	Signe	3	Danish
	1	471 7607-05	Sign	Signe	3	Norwegian
	1	471 7607-06	Sign	Signe	3	Finnish
	1	471 7607-07	Sign	Signe	3	Dutch
	1	471 7607-08	Sign	Signe	3	French
	1	471 7607-09	Sign	Signe	3	Spanish
	1	471 7607-10	Sign	Signe	3	German
	1	471 7609-01	Sign	Signe	3	Swedish
	1	471 7609-02	Sign	Signe	3	English
	1	471 7609-03	Sign	Signe	3	German
	1	471 7609-04	Sign	Signe	3	ITALIEN
	1	471 7609-05	Sign	Signe	3	Danish
	1	471 7609-06	Sign	Signe	3	Norwegian
	1	471 7609-07	Sign	Signe	3	Finnish
	1	471 7609-08	Sign	Signe	3	Dutch
	1	471 7609-09	Sign	Signe	3	French
	1	471 7609-10	Sign	Signe	3	Spanish





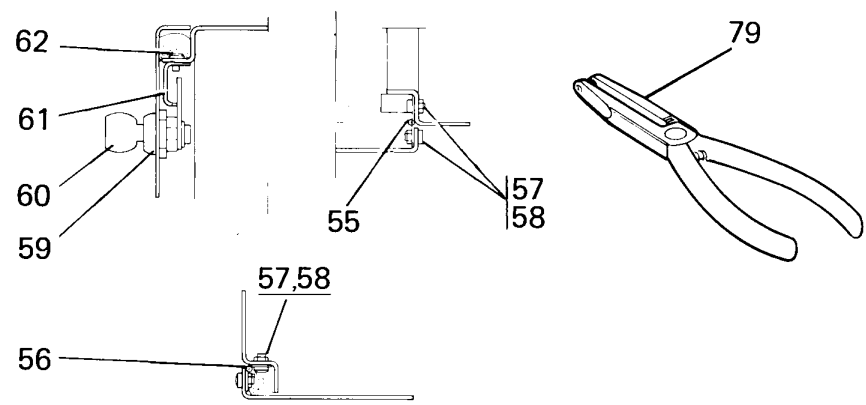
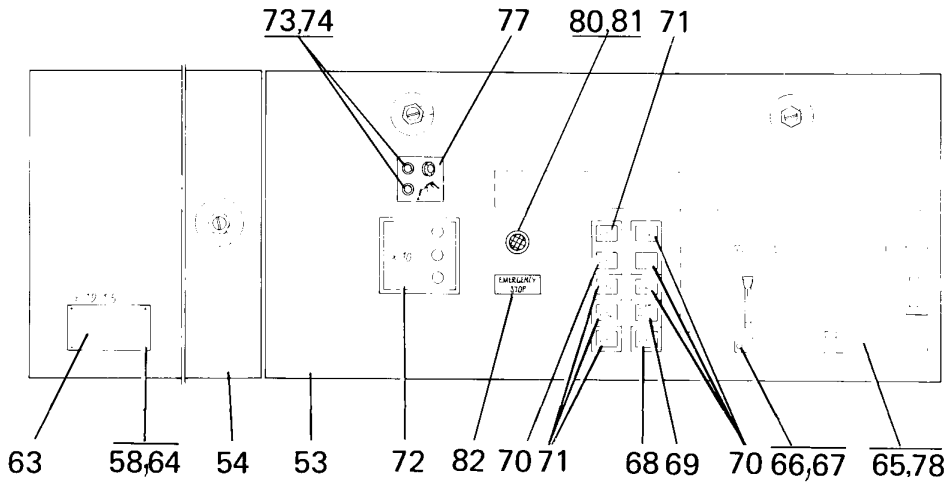
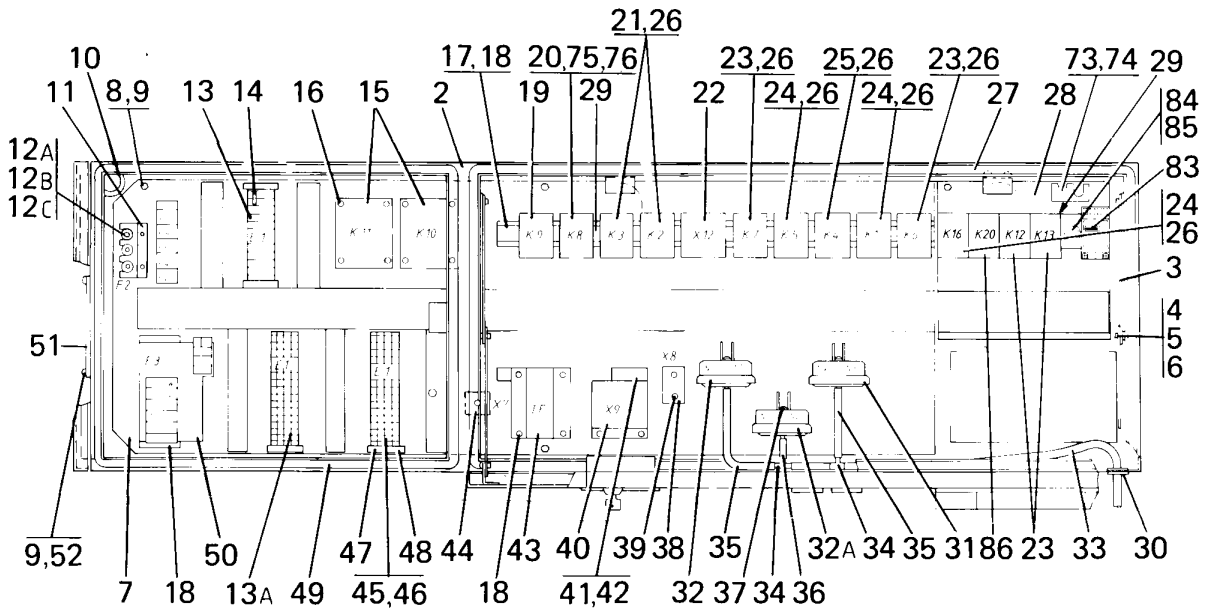
**EX-200 HI-TEK,EX-200 83/1061-**

**Control unit**

**Unité de commande**

Illustration Issue Month Year  
Schéma Issue Month Year  
**100437 2 9 1991**

Item Article	Qua Qua	Art.No Réf. article	Description	Description	Info Info	Notes Remarques
<b>1</b>	1	<b>471 4075-21</b>	Control unit	Unité de contrôle	1	380-415V 3AC 50Hz Complete
	1	<b>471 4075-22</b>	Control unit	Unité de contrôle	1	208-240V 3AC 60Hz Complete
	1	<b>471 4075-23</b>	Control unit	Unité de contrôle	1	220V 3AC 50Hz
<b>2</b>	1	<b>471 4066-02</b>	•Control box	•Boîtier de contrôle	3	Brown -87/1332
	1	<b>471 4066-03</b>	•Control box	•Boîtier de contrôle	3	Grey 87/1333-
<b>3</b>	4	<b>471 4636-13</b>	•Brace	•Montant	3	
<b>4</b>	6	<b>724 1222-01</b>	•Screw	•Vis	3	M3X8
<b>5</b>	6	<b>471 9008-98</b>	•Washer	•Rondelle	3	4,3X8
<b>6</b>	6	<b>732 2110-01</b>	•Locking nut	•Contre-écrou	3	M3
<b>7</b>	1	<b>471 4069-02</b>	•Plate	•Plaque	3	
<b>8</b>	6	<b>725 2374-51</b>	•Screw	•Vis	3	M6X30
<b>9</b>	14	<b>731 2316-01</b>	•Nut	•Écrou	3	M6
<b>10</b>	1	<b>762 1209-10</b>	•Grommet	•Oeillet	3	
<b>11</b>	2	<b>471 4074-01</b>	•Fuse holder	•Porte-fusible	1	
<b>12</b>	2	<b>471 8750-12</b>	•Fuse	•Porte-fusible	1,2	1,6A 50Hz
	2	<b>471 9027-86</b>	•Fuse	•Porte-fusible	1,2	1,6A 60Hz
<b>13</b>	1	<b>472 6847-03</b>	•Rail	•Support	3	
<b>13A</b>	8	<b>729 7342-01</b>	•Screw	•Vis	3	KFXS 4,2X13
<b>14</b>	1	<b>762 7137-90</b>	•Bridge connection	•Montage en pont	3	
<b>15</b>	2	<b>472 9902-78</b>	•Contactor	•Relais	1,2	50Hz HIGH EXTRACTION
	2	<b>472 9902-77</b>	•Contactor	•Relais	1,2	60Hz HIGH EXTRACTION
<b>16</b>	8	<b>729 5344-01</b>	•Screw	•Vis	3	RXS B8X16
<b>17</b>	1	<b>472 6848-02</b>	•Rail	•Support	3	
<b>18</b>	RQ	<b>729 5342-01</b>	•Screw	•Vis	3	
<b>19</b>	1	<b>767 5102-20</b>	•Contactor	•Relais	1,2	50Hz LOW EXTRACTION
	1	<b>767 5101-20</b>	•Contactor	•Relais	1,2	60Hz LOW EXTRACTION
<b>20</b>	1	<b>438 9636-02</b>	•Contactor	•Relais	1,2	50Hz 50Hz,distribution
	1	<b>438 9636-03</b>	•Contactor	•Relais	1,2	60Hz 60Hz,distribution
<b>21</b>	2	<b>438 9636-02</b>	•Contactor	•Relais	1,2	50Hz Wash
	2	<b>438 9636-03</b>	•Contactor	•Relais	1,2	60Hz Wash
<b>22</b>	1	<b>471 9226-97</b>	•Time relay	•Relais temporisé	1,2	50/60Hz
<b>23</b>	2	<b>767 5131-00</b>	•Contactor	•Relais	1,2	50Hz
	2	<b>767 5132-00</b>	•Contactor 60Hz	•Relais,60Hz	1,2	60Hz
<b>24</b>	3	<b>767 5122-00</b>	•Contactor	•Relais	1,2	50Hz
	3	<b>767 5121-00</b>	•Contactor	•Relais	1,2	STOP,TIMER=K16 220/380V 60Hz STOP,TIMER=K16
<b>25</b>	1	<b>767 5152-00</b>	•Contactor	•Relais	1,2	50Hz
	1	<b>767 5151-00</b>	•Contactor 60Hz	•Relais,60Hz	1,2	208-230V 60Hz
<b>26</b>						Not used
<b>27</b>	1	<b>471 4640-54</b>	•Rubber strip	•Joint caoutchouc	3	
<b>28</b>	1	<b>472 6854-01</b>	•Plate	•Plaque	3	
<b>29</b>	1	<b>472 6848-03</b>	•Rail	•Support	3	
<b>30</b>	1	<b>762 1182-10</b>	•Grommet	•Oeillet	3	Ø22,2MM
<b>31</b>	1	<b>471 8860-08</b>	•Level control	•Réglage de niveau	1,2	N3+LOW LEVEL N4+HIGH LEVEL N1+LOADING N6+EXTRACTION N2+DOOR LOCK N5+DRAIN
<b>32</b>	1	<b>471 8860-11</b>	•Level control	•Réglage de niveau		
<b>32A</b>	1	<b>471 8860-11</b>	•Level control	•Réglage de niveau		
<b>33</b>	1	<b>471 2464-18</b>	•Hose	•Flexible	1	L=280
<b>34</b>	2	<b>471 2265-69</b>	•T-pipe	•Tube en T	3	
<b>35</b>	2	<b>471 2264-03</b>	•Hose	•Flexible	1	L=150
<b>36</b>	2	<b>471 2464-19</b>	•Hose	•Flexible	1	
<b>37</b>	3	<b>729 5279-01</b>	•Screw	•Vis	3	RXS B6X9,5
<b>38</b>	1	<b>471 9651-50</b>	•Buzzer	•Console	3	208-240V
<b>39</b>	2	<b>729 5225-01</b>	•Screw	•Vis	3	RXS B4X9,5
<b>40</b>	1	<b>471 2422-19</b>	•Reverser	•Inverseur	1,2	50Hz



**EX-200 HI-TEK,EX-200 83/1061-**

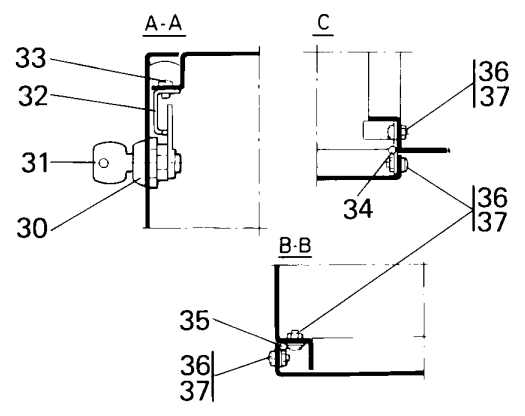
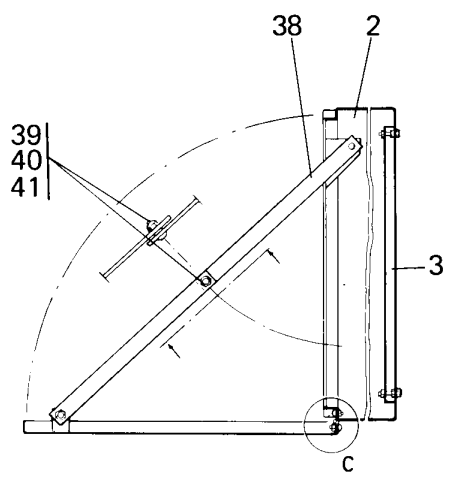
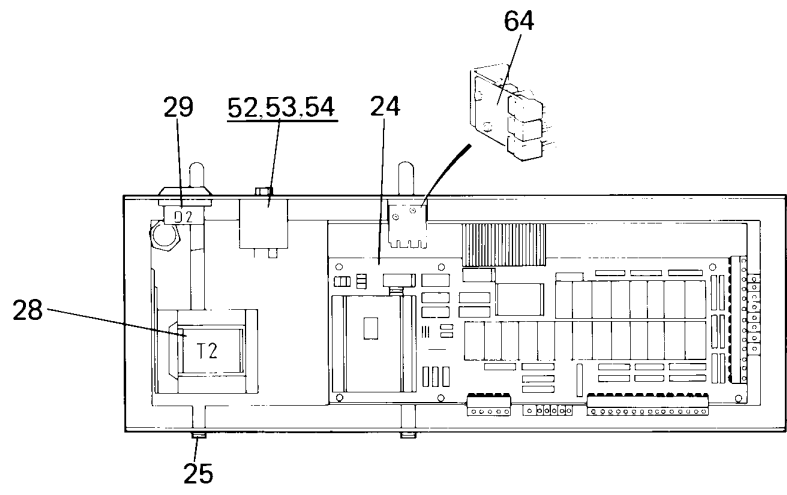
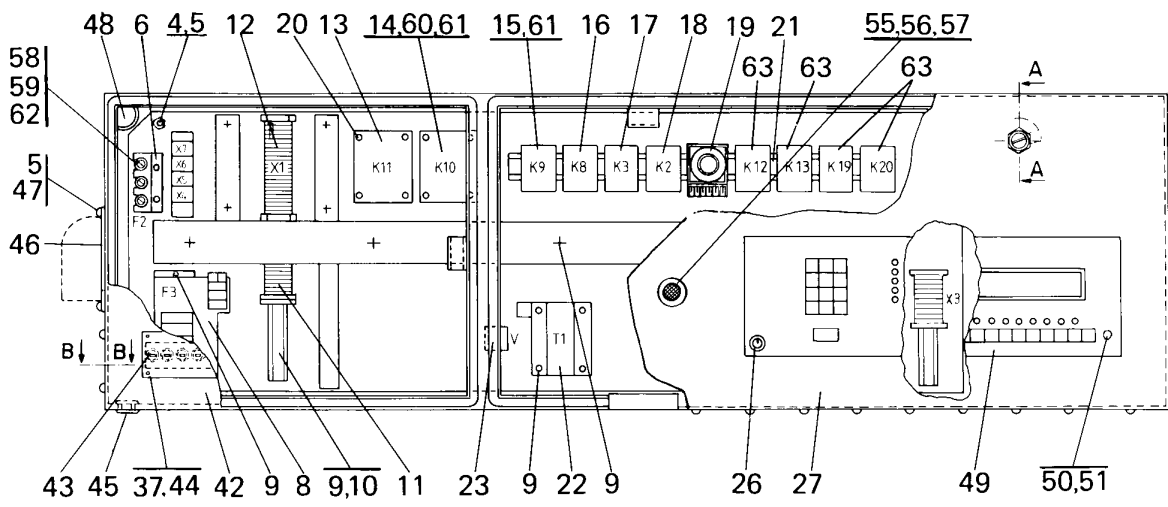
**Control unit**

**Unité de commande**

Illustration Issue Month Year  
Schéma Issue Month Year  
**100437 2 9 1991**

Item Article	Qua Qua	Art.No Réf. article	Description	Description	Info Info	Notes Remarques
<b>41</b>	1	<b>471 2422-20</b>	•Reverser	•Inverseur	1,2	60Hz
	1	<b>471 9056-91</b>	••Motor	••Moteur	1,2	OLD TIMER 220V 50Hz
	1	<b>471 9056-92</b>	••Motor	••Moteur	1,2	OLD TIMER 208-240V 60Hz
<b>42</b>	1	<b>471 6536-78</b>	••Clamp	••Bride de fixation	3	
<b>43</b>	1	<b>471 9550-05</b>	•Transformer	•Transformateur	1	
<b>44</b>	1	<b>471 9577-01</b>	•Rectifier	•Redresseur	1,2	
<b>45</b>	RQ	<b>762 7102-05</b>	•Terminal connection	•Bloc de connexion	1,2	
<b>46</b>	2	<b>472 6848-02</b>	•Rail	•Support	3	
<b>47</b>	4	<b>762 7121-80</b>	•Ground connection	•Connexion à la masse	3	380V,415V
<b>48</b>	6	<b>762 7116-90</b>	•End plate	•Panneau arrière	3	-84/1070
<b>49</b>	1	<b>471 8174-02</b>	•Rubber strip	•Joint caoutchouc	3	
<b>50</b>	1	<b>471 9604-00</b>	•Mains current breaker	•Disjoncteur	1	380-415V
	1	<b>471 9604-03</b>	•Mains current breaker	•Disjoncteur	1	200-240V
<b>51</b>	1	<b>472 6851-01</b>	•Cover plate	•Plaque recouvrement	3	Brown -89/1332
	1	<b>472 6851-03</b>	•Cover plate	•Plaque recouvrement	3	Grey 87/1333-
<b>52</b>	4	<b>724 1368-42</b>	•Screw	•Vis	3	M6X16
<b>53</b>	1	<b>471 4070-02</b>	•Door	•Plaque	3	Brown -87/1332
	1	<b>471 4070-03</b>	•Door	•Plaque	3	Grey 87/1333-
<b>54</b>	1	<b>471 4071-02</b>	•Door	•Plaque	3	Brown -87/1332
	1	<b>471 4071-03</b>	•Door	•Plaque	3	Grey 87/1333-
<b>55</b>	1	<b>471 4640-94</b>	•Hinge	•Charnière	3	
<b>56</b>	1	<b>471 4636-58</b>	•Hinge	•Charnière	3	
<b>57</b>	17	<b>724 1289-01</b>	•Screw	•Vis	3	M4X10
<b>58</b>	27	<b>731 2312-01</b>	•Nut	•Écrou	3	M4
<b>59</b>	3	<b>471 7826-10</b>	•Lock	•Serrure	1	
	3	<b>471 7826-99</b>	••Nut	••Écrou	1	
<b>60</b>	3	<b>471 7826-20</b>	•Key	•Touche	1,2	FH025
<b>61</b>	3	<b>471 4636-14</b>	•Lock catch	•Ergot de verrouillage	3	
<b>62</b>	6	<b>724 3287-01</b>	•Screw	•Vis	3	M4X8
<b>63</b>	1	<b>472 6853-01</b>	•Cover plate	•Plaque recouvrement	3	Brown -87/1332
	1	<b>472 6853-04</b>	•Cover plate	•Plaque recouvrement	3	Black 87/1333-
<b>64</b>	4	<b>724 1293-40</b>	•Screw	•Vis	3	MRX M4X16
<b>65</b>	1	<b>471 8965-01</b>	•Program mechanism	•Minuterie	1,2	50Hz
	1	<b>471 8965-02</b>	•Program mechanism	•Minuterie	1,2	60Hz 83
<b>66</b>	4	<b>724 1228-42</b>	•Screw	•Vis	3	M6X16
<b>67</b>	4	<b>732 2110-01</b>	•Locking nut	•Contre-écrou	3	M3
<b>68</b>	1	<b>471 9226-65</b>	•Pushbutton	•Bouton-poussoir	1,2	
<b>69</b>	1	<b>471 9226-67</b>	•Pushbutton	•Bouton-poussoir	1,2	Yellow
<b>70</b>	4	<b>471 9226-66</b>	•Pushbutton	•Bouton-poussoir	1,2	
<b>71</b>	4	<b>471 9226-68</b>	•Pushbutton	•Bouton-poussoir	1,2	
* <b>72</b>	1	<b>472 9901-99</b>	•Thermostat	•Thermostat	1,2	
<b>73</b>	2	<b>763 1101-03</b>	•Pilot lamp	•Lampe témoin	1,2	220V
<b>74</b>	2	<b>763 1802-01</b>	•Glass	•Verre	1,2	Red
<b>75</b>	1	<b>767 5101-92</b>	•Auxiliary contact	•Contact de secours	1,2	HN10 Green
<b>76</b>	1	<b>767 5102-92</b>	•Auxiliary contact	•Contact de secours	1,2	HN01 Red
<b>77</b>	1	<b>472 9835-01</b>	•Sign	•Signe	3	91/1662-
<b>78</b>	1	<b>471 8955-02</b>	Program card	Carte programme	1	
	1	<b>471 8961-02</b>	Pliers	Pince	1	
<b>79</b>	1	<b>471 8961-02</b>	Pliers	Pince	1	

①



Issue	Month	Year
05	02	95

**EX-200 HI-TEK,EX-200 83/1061-**

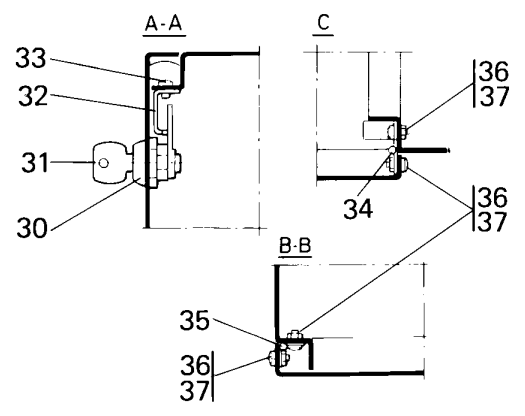
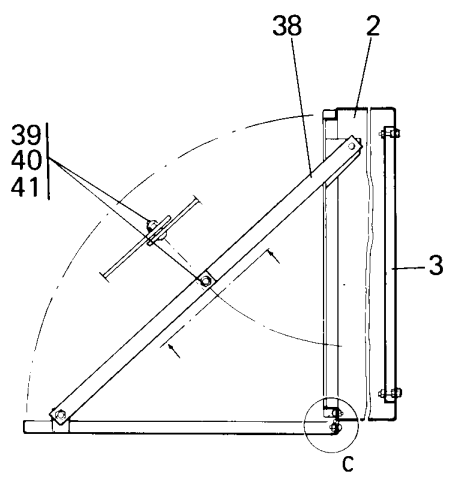
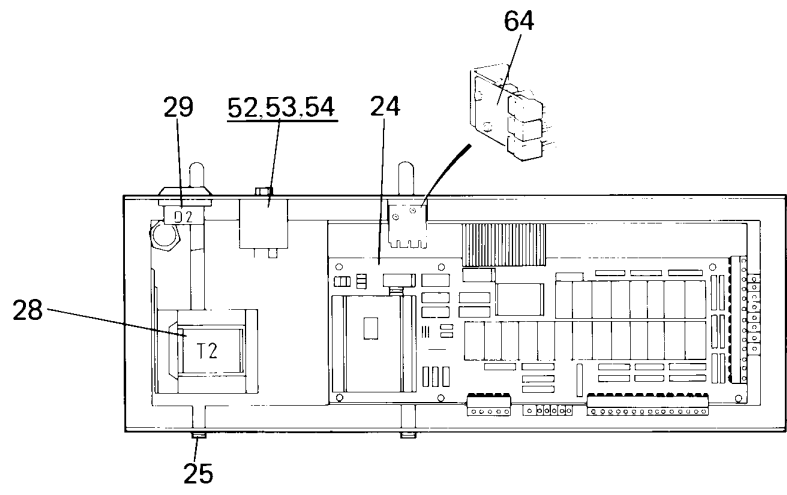
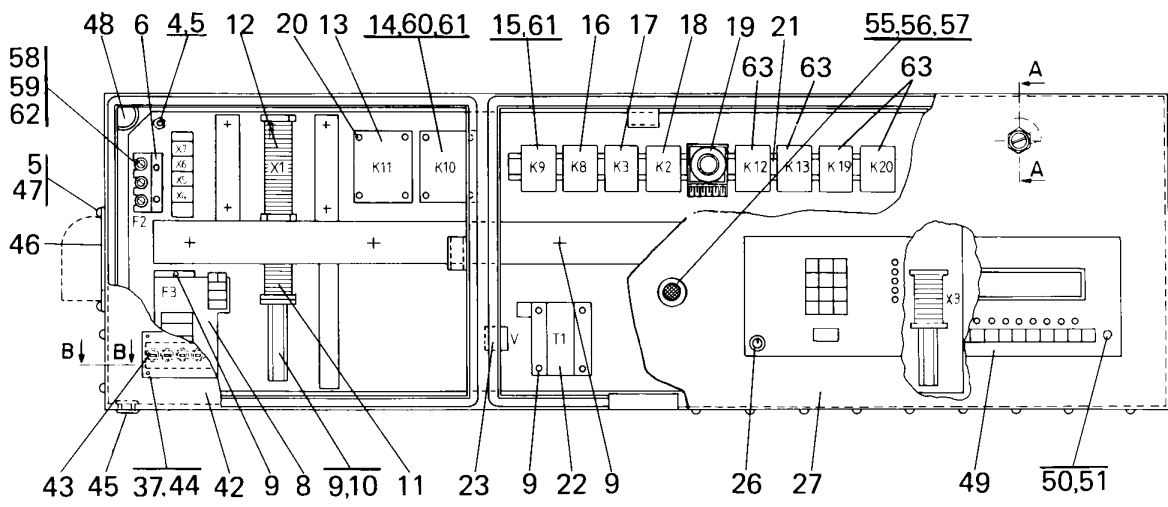
**Control unit MP**

**Unité de commande MP**

Illustration Issue Month Year  
Schéma Issue Month Year  
**100480 7 9 1991**

Item Article	Qua Qua	Art.No Réf. article	Description	Description	Info Info	Notes Remarques
1	1	471 4075-11	Control unit	Unité de contrôle	3	380-415V 50Hz 3NAC Complete
	1	471 4075-12	Control unit	Unité de contrôle	3	208-240V 60Hz 3AC Complete
2	1	471 4066-03	•Control box	•Boîtier de contrôle	3	Grey
3	1	471 4069-02	•Plate	•Plaque	3	
4	6	725 2374-51	•Screw	•Vis	3	M6X30
5	6	731 2316-01	•Nut	•Écrou	3	M6
6	2	471 4074-01	•Fuse holder	•Porte-fusible	1	
7	2	471 8750-12	•Fuse	•Porte-fusible	1,2	1,6A 50Hz
	2	471 9027-86	•Fuse	•Porte-fusible	1,2	1,6A 60Hz
8	1	471 9604-00	•Mains current breaker	•Disjoncteur	1,2	380-415V
	1	471 9604-03	•Mains current breaker	•Disjoncteur	1,2	200-240V
9	23	729 5342-01	•Screw	•Vis	3	
10	3	472 6847-03	•Rail	•Support	3	
11	2	762 7117-10	•Terminal connection	•Bloc de connexion	3	380V 2,5-10MM <sup>2</sup> ,3-POLE
12	1	762 7137-90	•Bridge connection	•Montage en pont	3	
13	1	472 9902-78	•Contactor	•Relais	1,2	50Hz
	1	472 9902-77	•Contactor	•Relais	1,2	60Hz
14	1	472 9902-78	•Contactor	•Relais	1,2	50Hz
	1	472 9902-77	•Contactor	•Relais	1,2	60Hz
15	1	767 5102-20	•Contactor	•Relais	1,2	50Hz
	1	767 5101-20	•Contactor	•Relais	1,2	60Hz
16	1	438 9636-02	•Contactor	•Relais	1,2	50Hz
	1	438 9636-03	•Contactor	•Relais	1,2	60Hz
17	1	438 9636-02	•Contactor	•Relais	1,2	50Hz
	1	438 9636-03	•Contactor	•Relais	1,2	60Hz
18	1	438 9636-02	•Contactor	•Relais	1,2	50Hz
	1	438 9636-03	•Contactor	•Relais	1,2	60Hz
19	1	438 9636-02	•Contactor	•Relais	1,2	50Hz
	1	438 9636-03	•Contactor	•Relais	1,2	60Hz
20	8	729 5344-01	•Screw	•Vis	3	RXS B8X16
21	1	472 6848-02	•Rail	•Support	3	
22	1	471 9550-05	•Transformer	•Transformateur	1,2	
23	1	471 9577-01	•Rectifier	•Redresseur	1,2	
24	1	471 8977-01	•Printed circuit board	•Circuit imprimé	1,2	88/1477-
	1	471 8977-04	•Printed circuit board	•Circuit imprimé	1,2	-88/1476
25	2	471 4586-01	•Lock plate	•Gâche de serrure	3	
26	1	471 4878-84	•Switch	•Commutateur	1,2	Complete
	1	471 8733-10	•Key	•Touche	1	
27	1	471 4070-04	•Door	•Plaque	3	Black
28	1	471 9550-15	•Transformer	•Transformateur	1,2	208/220/240/480V
29	1	471 9653-03	•Buzzer	•Console	1,2	
30	3	471 7826-10	•Lock	•Serrure	1,2	
31	3	471 7826-20	•Key	•Touche	1,2	FH025
32	3	471 4636-14	•Lock catch	•Ergot de verrouillage	3	
33	6	724 3289-01	•Screw	•Vis	3	M4X10
34	1	471 4636-58	•Hinge	•Charnière	3	
35	1	471 4640-94	•Hinge	•Charnière	3	
36	17	724 1289-01	•Screw	•Vis	3	M4X10
37	21	731 2312-01	•Nut	•Écrou	3	M4
38	4	471 4636-13	•Brace	•Montant	3	
39	6	724 1222-01	•Screw	•Vis	3	M3X8
40	6	471 9088-98	•Washer	•Rondelle	3	
41	6	732 2110-01	•Locking nut	•Contre-écrou	3	M3
42	1	471 4071-03	•Door	•Plaque	3	Grey
43	1	472 6853-04	•Cover plate	•Plaque recouvrement	3	Black
44	4	724 1293-42	•Screw	•Vis	3	M4X16
45	2	762 1182-10	•Grommet	•Oeillet	3	Ø22,2MM
46	1	472 6851-03	•Cover plate	•Plaque recouvrement	3	Grey

①



Issue	Month	Year
05	02	95

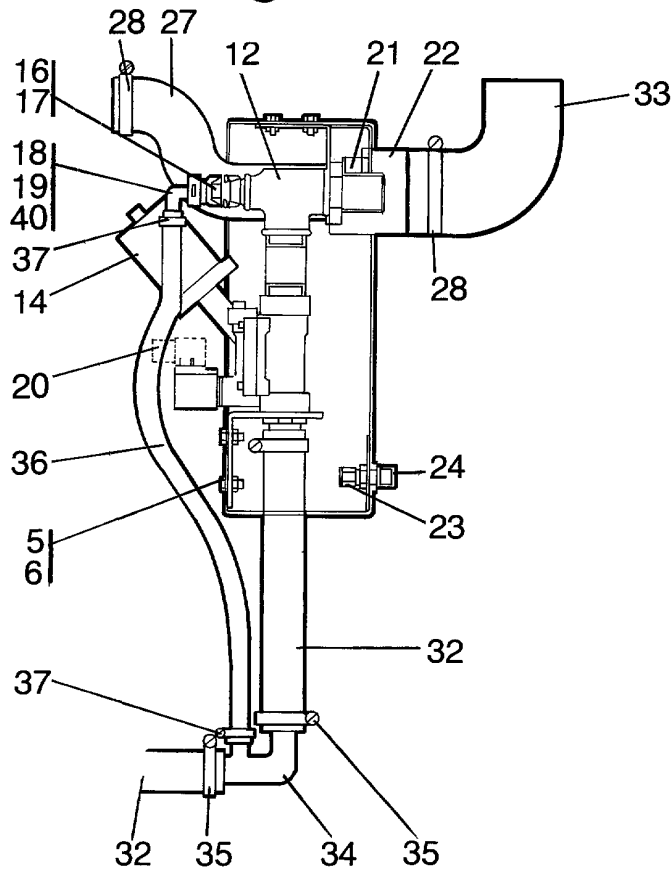
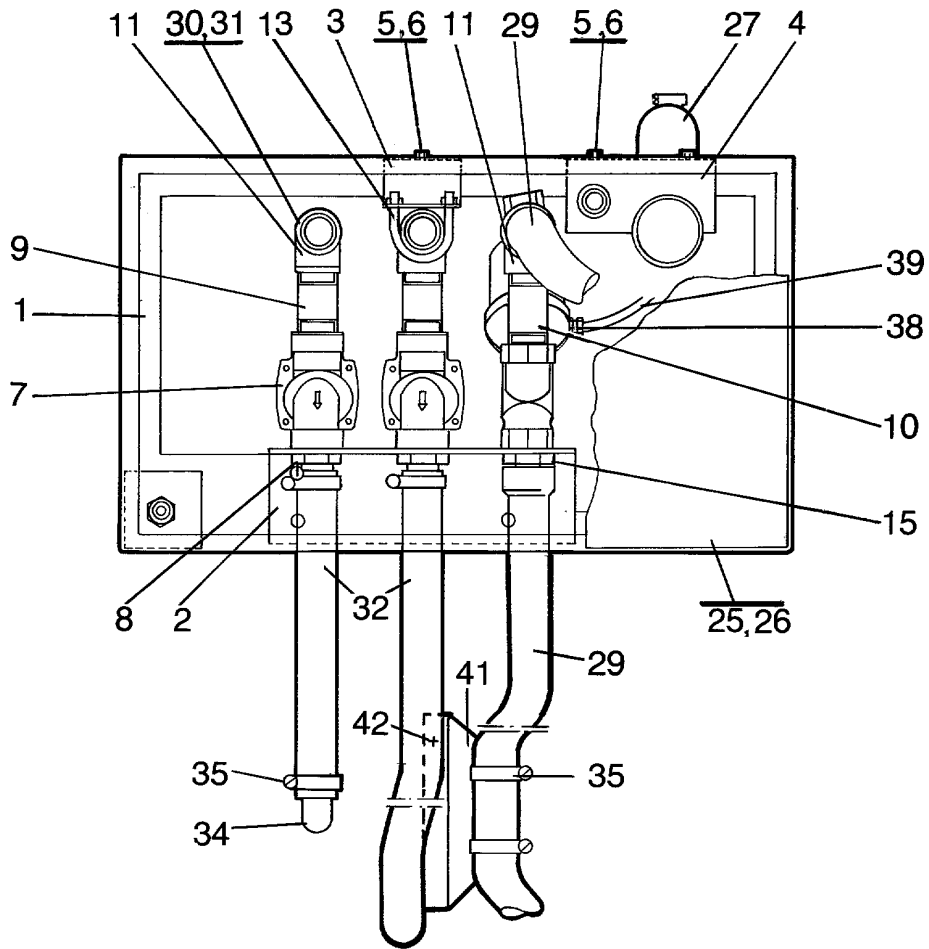
**EX-200 HI-TEK,EX-200 83/1061-**

**Control unit MP**

**Unité de commande MP**

Illustration	Issue	Month	Year
Schéma	Issue	Month	Year
<b>100480</b>	<b>7</b>	<b>9</b>	<b>1991</b>

Item Article	Qua Qua	Art.No Réf. article	Description	Description	Info Info	Notes Remarques
<b>47</b>	4	<b>724 1368-42</b>	•Screw	•Vis	3	M6X16
<b>48</b>	1	<b>762 1209-10</b>	•Grommet	•Oeillet	3	
<b>49</b>	1	<b>471 4783-01</b>	•Panel sign	•Voyant du tableau	3	English -89/1552
	1	<b>472 5756-01</b>	•Panel sign	•Voyant du tableau	3	English 89/1553-
	1	<b>471 4783-08</b>	•Panel sign	•Voyant du tableau	3	French -89/1552
	1	<b>472 5756-08</b>	•Panel sign	•Voyant du tableau	3	French 89/1553-
<b>50</b>	1	<b>471 7963-01</b>	•Safety cover	•Revêtement protection	3	
<b>51</b>	1		Memory cartridge	Cassette de mémoire	3	SEE See group US8342
<b>52</b>	1	<b>471 9529-10</b>	Mains filter	Filtre de filet	1	208-240V 380-415V 3NAC 50Hz
	1	<b>471 9529-03</b>	Mains filter	Filtre de filet	1	380-500V 3AC 50Hz
<b>53</b>	2	<b>724 1224-01</b>	Screw	Vis	3	MRX 3X10
<b>54</b>	2	<b>731 2310-01</b>	Nut	Écrou	3	M3



Issue	Month	Year
01	05	88



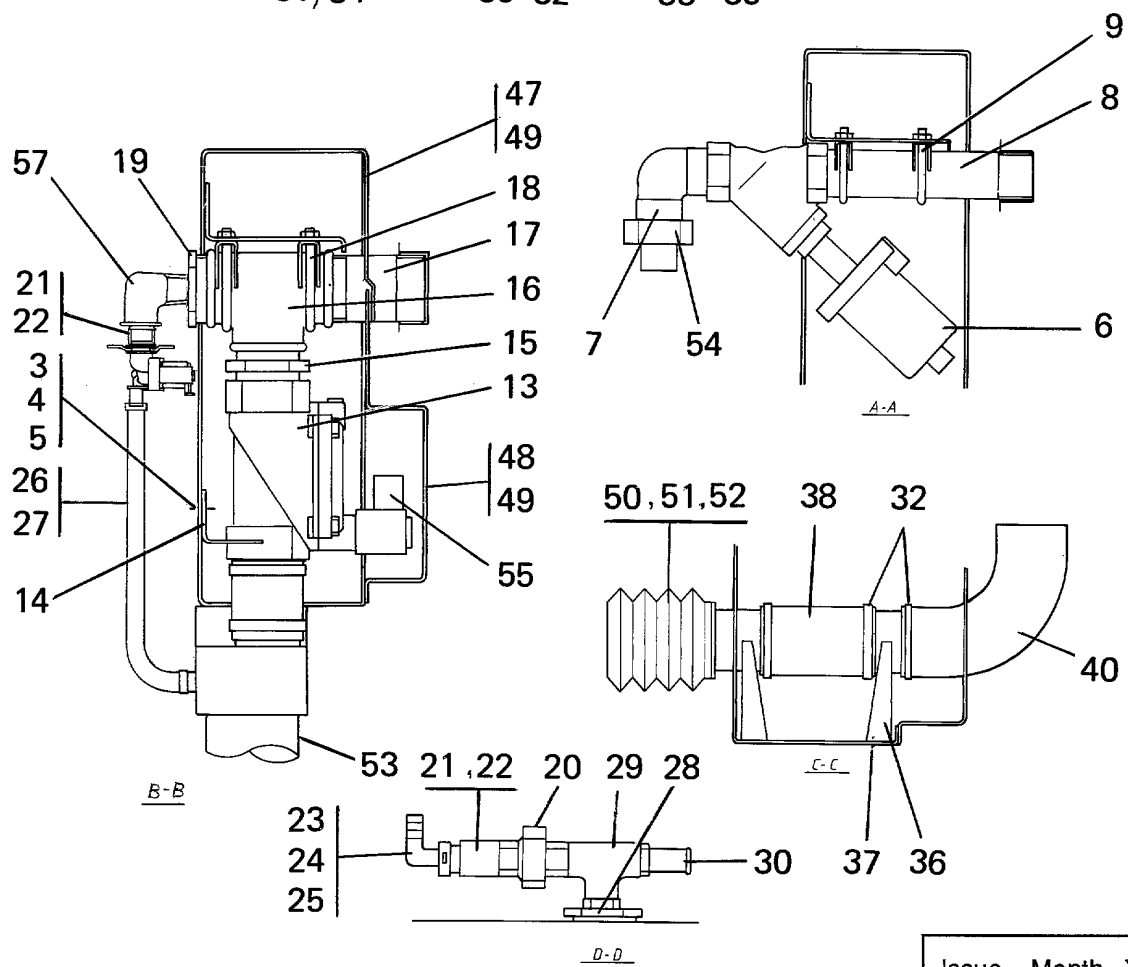
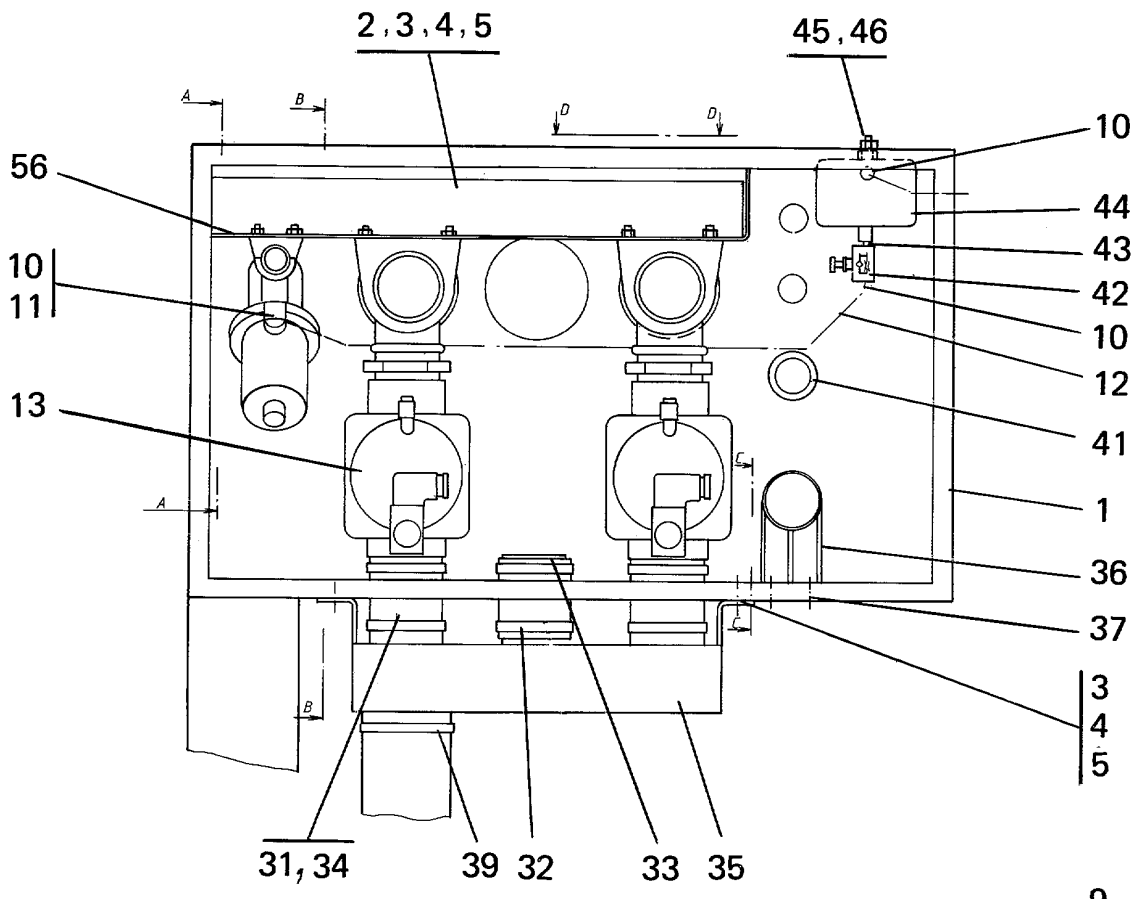
**EX-200 HI-TEK,EX-200 -83/1060**

**Steam and water valves**

**Souppes vapeur et eau**

Illustration Issue Month Year  
Schéma Issue Month Year  
**100438 1 5 1988**

Item Article	Qua Qua	Art.No Réf. article	Description	Description	Info Info	Notes Remarques
1	1	471 4310-67	Container	Conteneur	3	White
	1	471 4246-01	Container	Conteneur	3	Yellow
2	1	471 4310-66	Angle	Coude	3	
3	1	471 4205-01	Valve mounting	Montage des soupapes	3	
4	1	471 4309-84	Connection	Flexible caoutchouc	3	
5	8	725 2449-51	Screw	Vis	3	M8X16
6	8	731 2318-01	Nut	Écrou	3	M8
7	2	471 8210-32	Valve	Souppes	1,2	1 1/4" 50Hz See group US8116
	2	471 8210-31	Valve	Souppes	1,2	1 1/4" 60Hz See group US8116
8	2	471 8614-00	Hose nipple	Mamelon de flexible	3	
9	2	471 8608-01	Nipple pipe	Tuyau raccordement	3	
10	4	471 8608-02	Nipple pipe	Tuyau raccordement	3	
11	2	471 9209-74	Elbow pipe	Tube en V	3	
12	1	471 8603-01	T-pipe	Tube en T	3	
13	1	471 2468-99	Clamp	Attache	3	
14	1	471 9041-80	Valve	Souppes	1,2	50/60Hz
15	1	471 9228-03	Nipple	Raccord	3	1 1/4"
16	1	471 8234-02	Valve	Souppes	1,2	50Hz 1-way See group US8110
	1	471 8234-05	Valve	Souppes	1,2	60Hz 1-way See group US8110
17	1	471 6900-68	•Restrictor	•Réducteur de débit	3	20L/MIN
18	1	471 9010-73	Nut	Écrou	3	DN15
19	1	471 2265-74	Gasket	Joint	3	
20	1	471 8210-90	Connector	Connexion	3	
21	1	471 2075-27	Hose nipple	Mamelon de flexible	3	
22	1	471 9054-29	Muff	Tubulure	3	
23	1	471 9062-94	Connection	Embrayage	3	-83/1030
24	1	471 9226-04	Bushing	Douille	3	-83/1030
25	1	471 4108-57	Cover	Couvercle	3	White
	1	471 4242-01	Cover	Couvercle	3	Yellow
26	10	471 9100-49	Screw	Vis	3	RX5X6
27	1	471 4107-99	Hose	Flexible	1	
28	3	736 2849-51	Hose clamp	Attache flexible	3	Ø77-93
29	2	471 8126-04	Hose	Flexible	1	
30	2	471 9228-41	Hose	Flexible	1	
31	6	471 9228-03	Nipple	Raccord	3	1 1/4"
32	2	472 6969-01	Hose	Flexible	1	
33	1	471 4835-02	Hose	Flexible	1	
34	1	471 4203-01	Angle	Coude	3	
35	6	736 2831-51	Hose clamp	Attache flexible	3	Ø36-42
36	1	471 8116-01	Hose	Flexible	1	
37	2	736 2828-51	Hose clamp	Attache flexible	3	
38	1	471 9062-94	Connection	Embrayage	3	83/1031-
39	1	471 4647-82	Hose	Flexible	1	83/1031-
40	1	471 9009-38	Hose sleeve	Manchon	3	
41	1	472 6819-01	Bracket	Support de montage	3	83/1031-
42	2	725 2366-61	••Screw	••Vis	3	M6SF 6X12 83/1031-



Issue	Month	Year
02	04	91

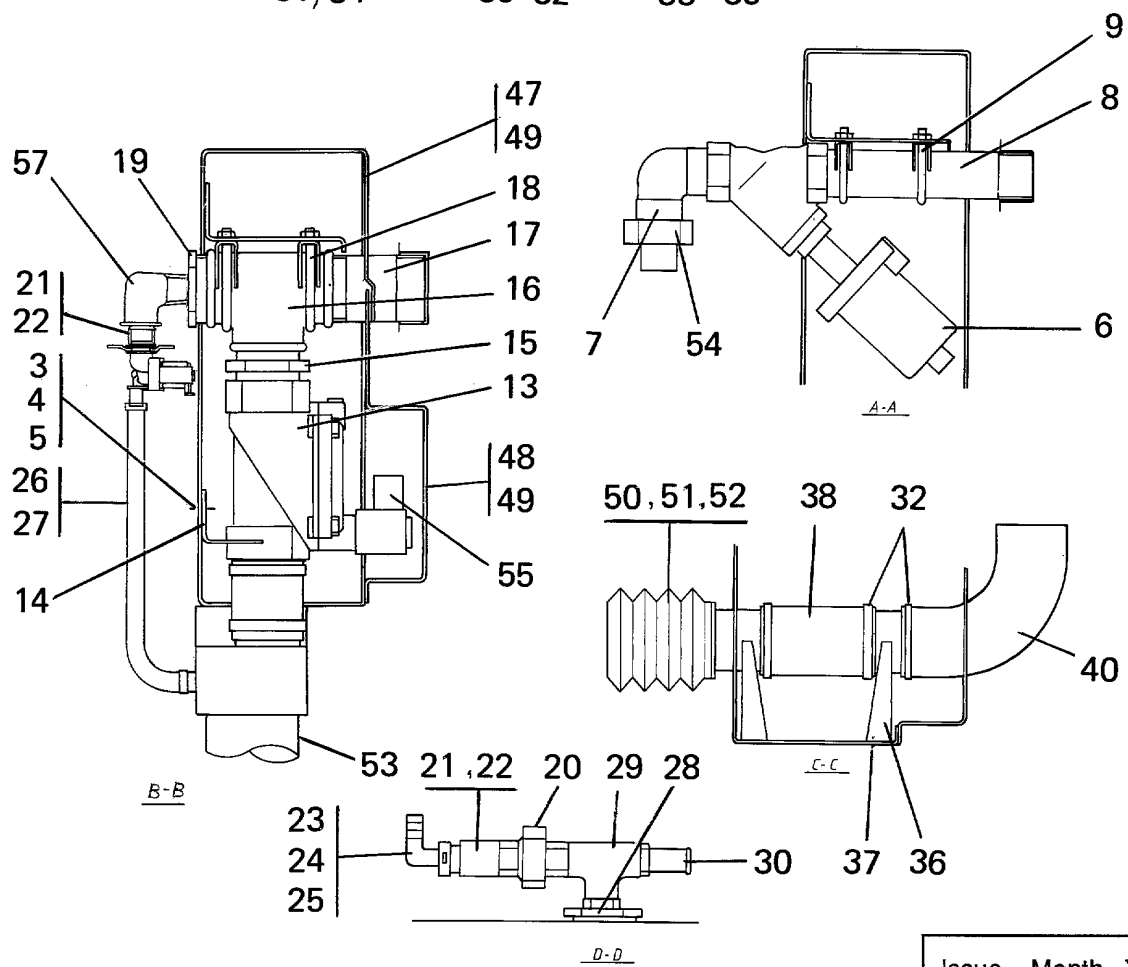
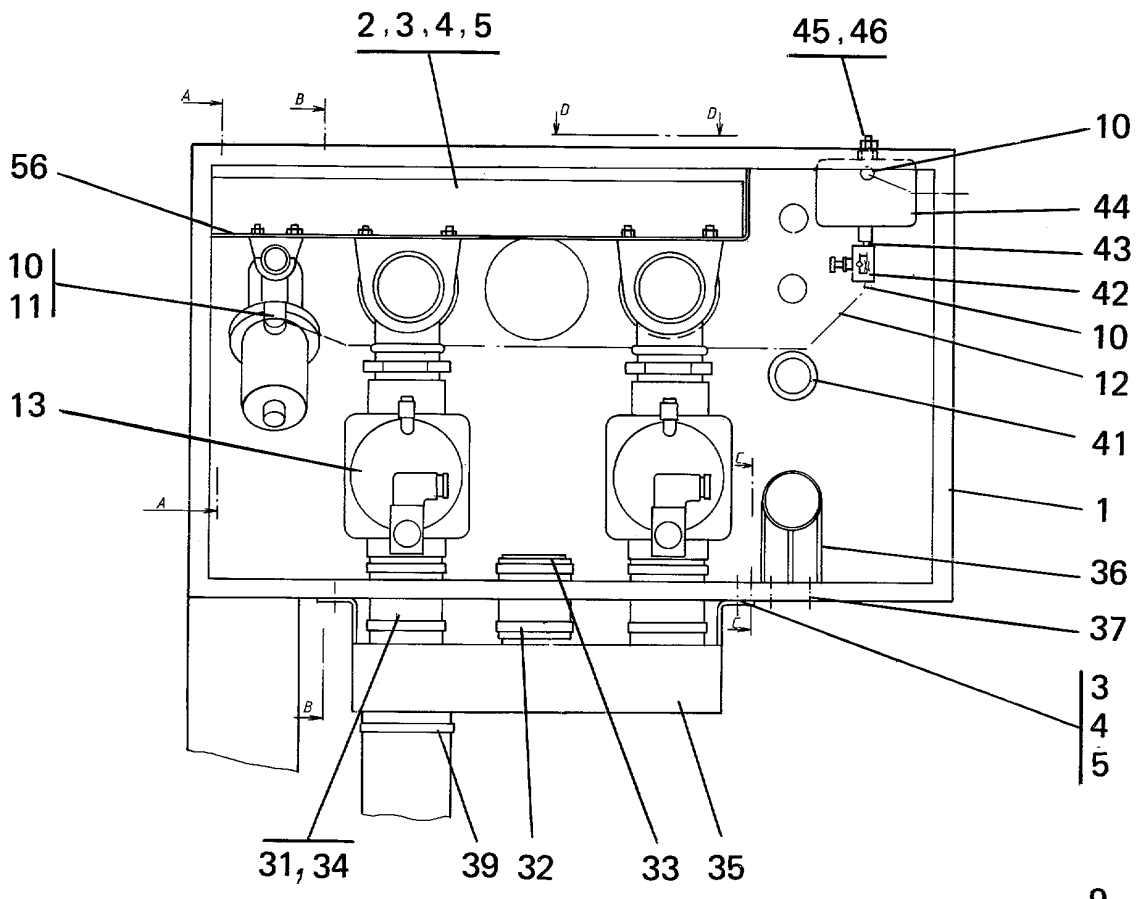
**EX-200 HI-TEK,EX-200 83/1061-**

**Steam and water valves**

**Souppes vapeur et eau**

Illustration Issue Month Year  
Schéma Issue Month Year  
**100439 2 4 1991**

Item Article	Qua Qua	Art.No Réf. article	Description	Description	Info Info	Notes Remarques
1	1	472 6825-01	Container	Conteneur	3	
2	1	472 6826-01	Mounting plate	Plaque de montage	3	
3	12	725 2368-51	Screw	Vis	3	M6X16
4	12	734 1153-01	Washer	Rondelle	3	BRB 6,4X12
5	12	731 2316-01	Nut	Écrou	3	M6
6	1	471 9041-80	Valve	Souppes	1,2	50/60Hz
7	1	471 9209-46	Elbow pipe	Tube en V	3	1 1/4"
8	1	471 2468-98	Pipe	Tube	3	
9	2	471 7858-03	Clamp	Attache	3	
10	3	471 9062-93	Angle connector	Raccord d'angle	3	
11	1	741 4102-20	Bushing	Douille	3	
12	1	471 4647-83	Hose	Flexible	3	D6X1X750
13	2	471 8210-52	Valve	Souppes	1,2	2", 50Hz See group US8116
	2	471 8210-51	Valve	Souppes	1,2	2", 60Hz See group US8116
14	2	472 6830-02	Angle	Coude	3	
15	2	471 8629-07	Muff	Tubulure	3	
16	2	471 8603-11	T-pipe	Tube en T	3	2"
17	2	471 8620-27	Nipple pipe	Tuyau raccordement	3	
18	4	471 7858-02	Clamp	Attache	3	
19	2	471 8604-01	Bushing	Douille	3	
20	1	471 8649-01	Connection	Embrayage	3	
21	2	471 8234-02	Valve	Souppes	1,2	50Hz 1-way See group US8110
	2	471 8234-05	Valve	Souppes	1,2	60Hz 1-way See group US8110
22	2	471 6900-68	Restrictor	Réducteur de débit	1,2	
23						Not used
24						Not used
25						Not used
26	1	471 2409-93	Hose	Flexible	3	
27	2	736 2819-51	Hose clamp	Attache flexible	3	
28	1	741 3115-11	Nipple	Raccord	3	
29	1	742 5115-11	T-pipe	Tube en T	3	
30	1	471 8614-02	Hose nipple	Mamelon de flexible	3	R3/4"
31	2	471 8128-21	Hose	Flexible	3	2"
32	3	736 2840-51	Hose clamp	Attache flexible	3	Ø50-63
33	1	471 2409-89	Hood	Capot	3	
34	2	472 6837-01	Pipe	Tube	3	2"
35	1	472 6827-01	Box	Boîtier	3	
36	2	471 2903-01	Joint piece	Raccord	3	
37	4	729 5410-01	Screw	Vis	3	RXS B10X13
38	1	471 8128-31	Hose	Flexible	3	
39	6	736 2843-51	Hose clamp	Attache flexible	3	Ø63-73
40	1	472 7206-01	Hose	Flexible	3	
41	1	762 1209-10	Grommet	Oeillet	3	
42	1	471 8222-01	Valve	Souppes	1,2	
43	1	741 3109-21	Nipple	Raccord	3	
44	1	472 6835-01	Container	Conteneur	3	
45	1	734 1164-01	Washer	Rondelle	3	8,4X17
46	1	731 2318-01	Nut	Écrou	3	M8
47	1	472 6838-01	Cover plate	Plaque recouvrement	3	
48	1	472 6839-01	Cover plate	Plaque recouvrement	3	
49	9	725 2364-61	Screw	Vis	3	M6SF 6X10
50	1	472 6025-00	Hose	Flexible	1	
51	1	472 6024-00	Ring	Anneau	3	
52	2	736 2840-51	Hose clamp	Attache flexible	3	Ø50-63
53	1	471 4835-01	Drain hose	Flexible de vidange	1	Ø75
54	1	471 9228-03	Nipple	Raccord	3	1 1/4" 1 1/4"
55	2	471 8210-90	Connector	Connexion	3	



Issue	Month	Year
02	04	91

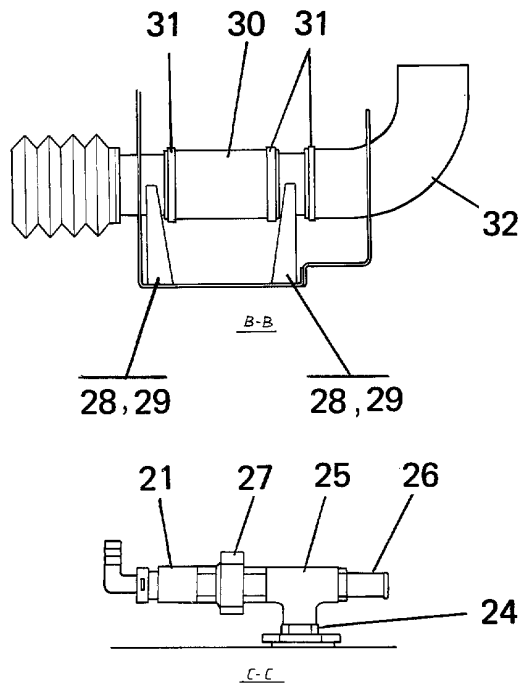
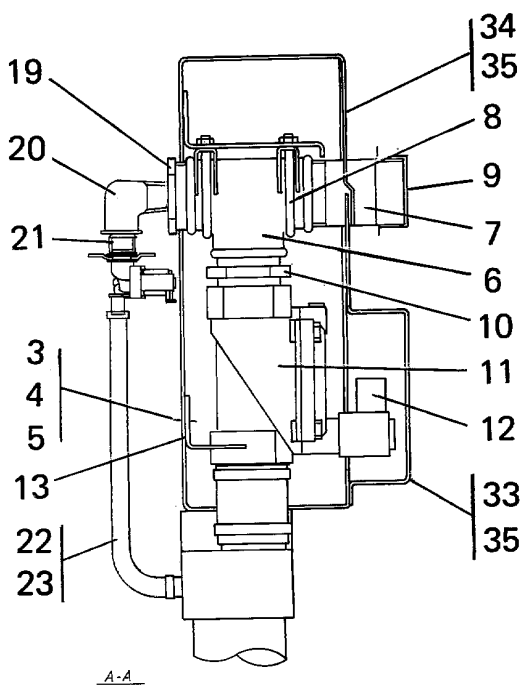
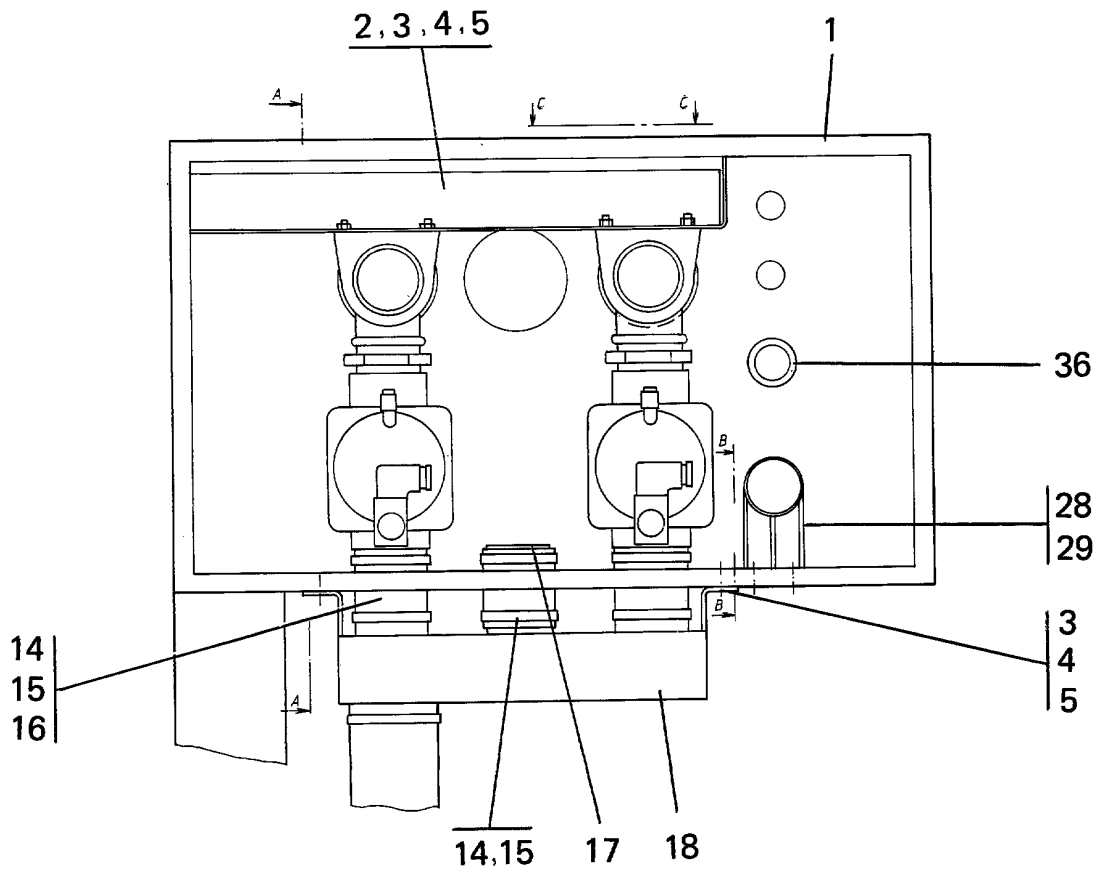
**EX-200 HI-TEK,EX-200 83/1061-**

**Steam and water valves**

**Soupapes vapeur et eau**

Illustration	Issue	Month	Year
Schéma	Issue	Month	Year
<b>100439</b>	<b>2</b>	<b>4</b>	<b>1991</b>

Item Article	Qua Qua	Art.No Réf. article	Description	Description	Info Info	Notes Remarques
<b>56</b>	4	<b>471 9019-34</b>	Washer	Rondelle	3	TBRSB 8,4X26
<b>57</b>	1	<b>471 9030-35</b>	Elbow pipe	Tube en V	3	3/4"



Issue	Month	Year
01	05	88

**EX-200 HI-TEK,EX-200 83/1061-**

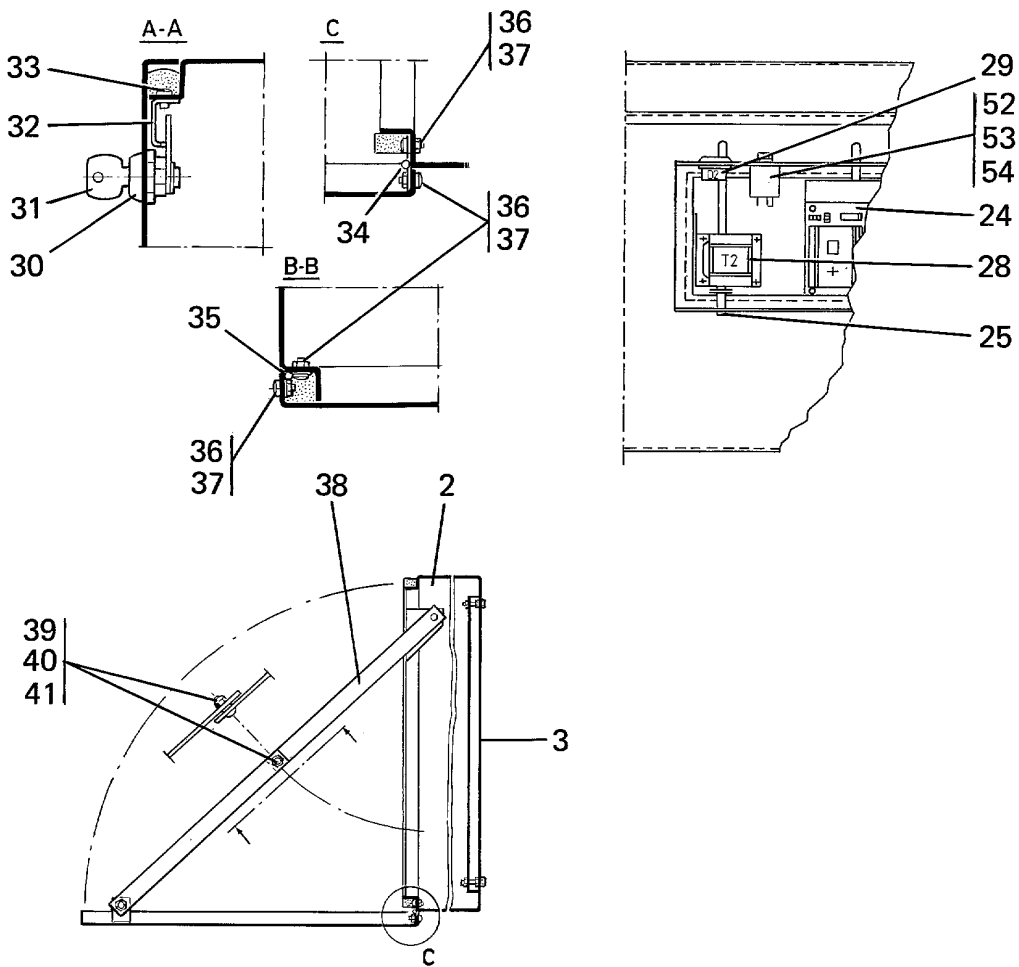
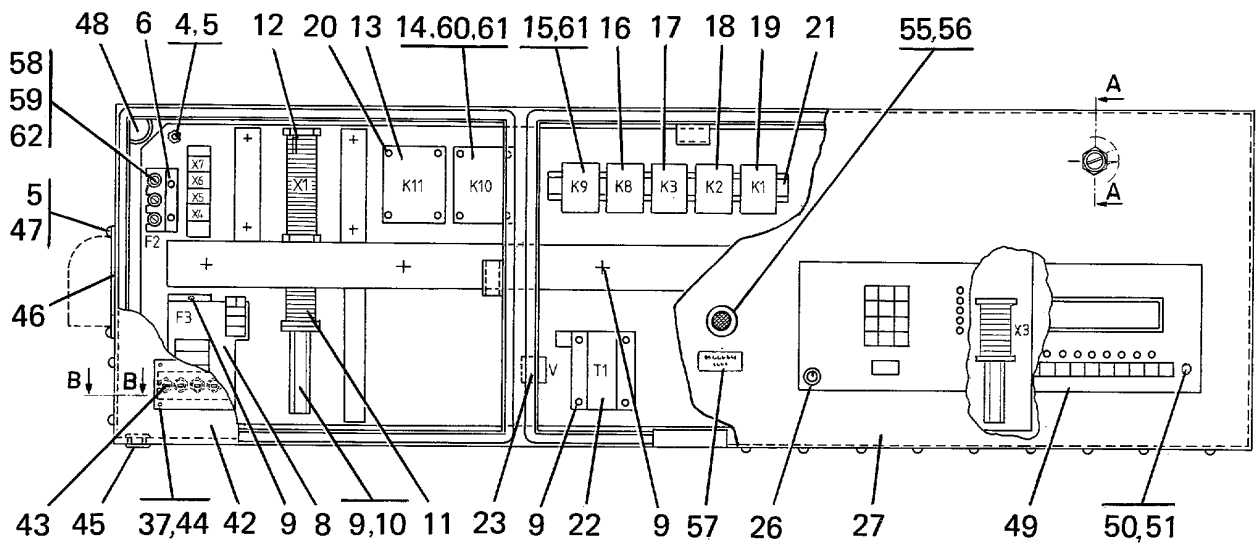
**Water valves, electrically heated**

**Soupapes eau, chauffage électrique**

Illustration Issue Month Year  
Schéma Issue Month Year  
**100482 1 5 1988**

Item Article	Qua Qua	Art.No Réf. article	Description	Description	Info Info	Notes Remarques
1	1	472 6825-01	Container	Conteneur	3	
2	1	472 6826-01	Mounting plate	Plaque de montage	3	
3	12	725 2368-51	Screw	Vis	3	M6X16
4	12	734 1153-01	Washer	Rondelle	3	BRB 6,4X12
5	12	731 2316-01	Nut	Écrou	3	M6
6	2	471 8603-11	T-pipe	Tube en T	3	2"
7	2	471 8620-27	Nipple pipe	Tuyau raccordement	3	
8	4	471 7858-02	Clamp	Attache	3	
9	2	471 8657-06	Plug	Fiche	3	
10	2	471 8629-07	Muff	Tubulure	3	
11	2	471 8210-52	Valve	Soupape	1,2	2", 50Hz See group US8116
	2	471 8210-51	Valve	Soupape	1,2	2", 60Hz See group US8116
12	2	471 8210-90	Connector	Connexion	3	
13	2	472 6830-02	Angle	Coude	3	
14	3	471 8128-21	Hose	Flexible	1,2	2"
15	2	472 6837-01	Pipe	Tube	3	2"
16	6	736 2843-51	Hose clamp	Attache flexible	3	Ø63-73
17	1	472 6833-01	Hood	Capot	3	
18	1	472 6827-01	Box	Boîtier	3	
19	2	471 8604-01	Bushing	Douille	3	
20	1	471 9030-35	Elbow pipe	Tube en V	3	3/4"
21	2	471 8234-02	Valve	Soupape	1,2	50Hz 1-way See group US8110
	2	471 8234-05	Valve	Soupape	1,2	60Hz 1-way See group US8110
22	1	471 2409-93	Hose	Flexible	3	
23	2	736 2819-51	Hose clamp	Attache flexible	3	
24	1	741 3115-11	Nipple	Raccord	3	
25	1	742 5115-11	T-pipe	Tube en T	3	
26	1	471 8614-02	Hose nipple	Mamelon de flexible	3	R3/4"
27	3	471 8649-01	Connection	Embrayage	3	
28	2	471 2903-01	Joint piece	Raccord	3	
29	4	729 5410-01	Screw	Vis	3	RXS B10X13
30	1	471 8128-31	Hose	Flexible	1,2	
31	3	736 2840-51	Hose clamp	Attache flexible	3	Ø50-63
32	1	472 7206-01	Hose	Flexible	1,2	
33	1	472 6839-01	Cover plate	Plaque recouvrement	3	
34	1	472 6838-01	Cover plate	Plaque recouvrement	3	
35	9	725 2364-61	Screw	Vis	3	M6SF 6X10
36	1	762 1209-10	Grommet	Oeillet	3	

1





**EX-200,EX-200 HI-TEK**

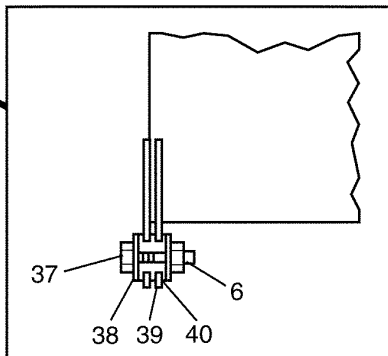
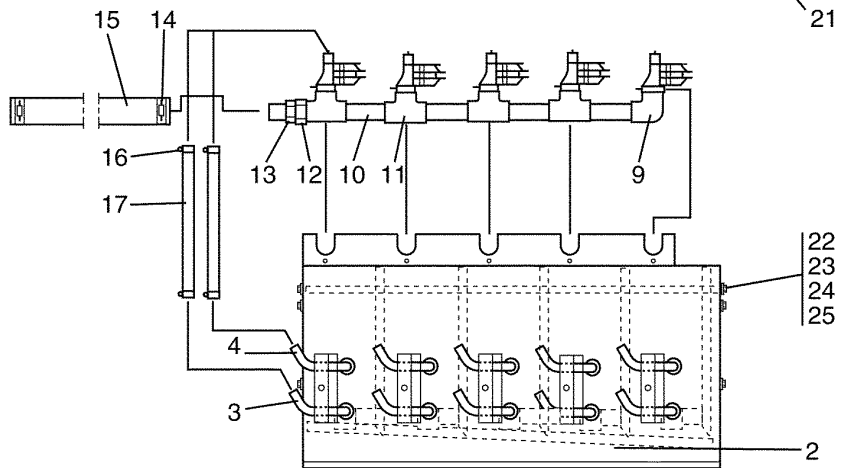
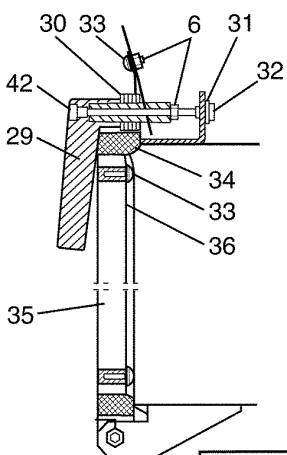
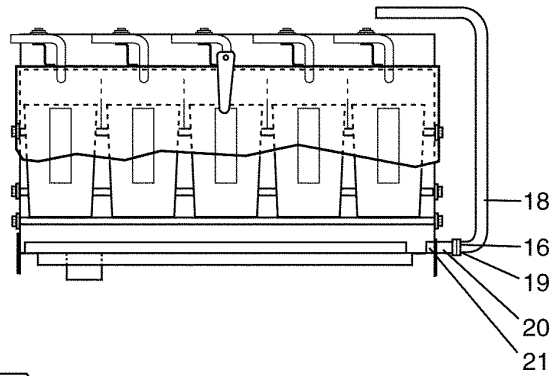
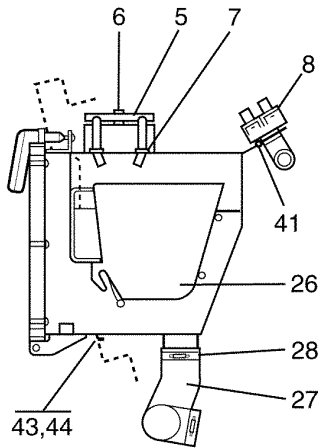
**Steam heated**

**Vapeur**

Illustration Issue Month Year  
Schéma Issue Month Year  
**100481 1 5 1988**

Item Article	Qua Qua	Art.No Réf. article	Description	Description	Info Info	Notes Remarques
1	1	472 6825-01	Container	Conteneur	3	
2	1	472 6826-01	Mounting plate	Plaque de montage	3	
3	17	725 2368-51	Screw	Vis	3	M6X16
4	17	731 2316-01	Nut	Écrou	3	M6
5	1	471 8608-06	Pipe	Tube	3	
6	2	471 7858-03	Clamp	Attache	3	
7	1	471 8657-05	Plug	Fiche	3	
8	1	742 1117-20	Angle	Coude	3	
9	1	471 9228-03	Nipple	Raccord	3	1 1/4"
10	1		Hose	Flexible		
11	3	471 8608-09	Nipple pipe	Tuyau raccordement	3	
12	6	471 7858-02	Clamp	Attache	3	
13	3	471 8657-06	Plug	Fiche	3	
14	3	471 8603-11	T-pipe	Tube en T	3	2"
15	3	471 8604-01	Bushing	Douille	3	
16	3	741 5115-00	Plug	Fiche	3	
17	1	472 6827-01	Box	Boîtier	3	
18	1	471 9037-73	Sleeve	Manchon	3	
19	1	736 2819-51	Hose clamp	Attache flexible	3	
20	1	471 8608-10	Nipple pipe	Tuyau raccordement	3	
21	1	472 9201-01	Bracket	Support de montage	3	
22	2	471 7858-04	Clamp	Attache	3	
23	1	742 5115-11	T-pipe	Tube en T	3	
24	1	471 8614-02	Hose nipple	Mamelon de flexible	3	R3/4"
25	1	471 8234-02	Valve	Soupape	1,2	50Hz 1-way
	1	471 8234-05	Valve	Soupape	1,2	60Hz 1-way
26	2	471 2903-01	Joint piece	Raccord	3	
27	4	729 5410-01	Screw	Vis	3	RXS B10X13
28	1	471 8128-31	Hose	Flexible	1,2	
29	3	736 2840-51	Hose clamp	Attache flexible	3	Ø50-63
30	1	472 7206-01	Hose	Flexible	1,2	
31	3	471 8620-27	Nipple pipe	Tuyau raccordement	3	
32	3	471 8128-19	Hose	Flexible	1,2	
33	6	736 2843-51	Hose clamp	Attache flexible	3	Ø63-73
34	1	472 6838-01	Cover plate	Plaque recouvrement	3	
35	1	472 6839-01	Cover plate	Plaque recouvrement	3	
36	9	725 2364-61	Screw	Vis	3	M6SF 6X10

①



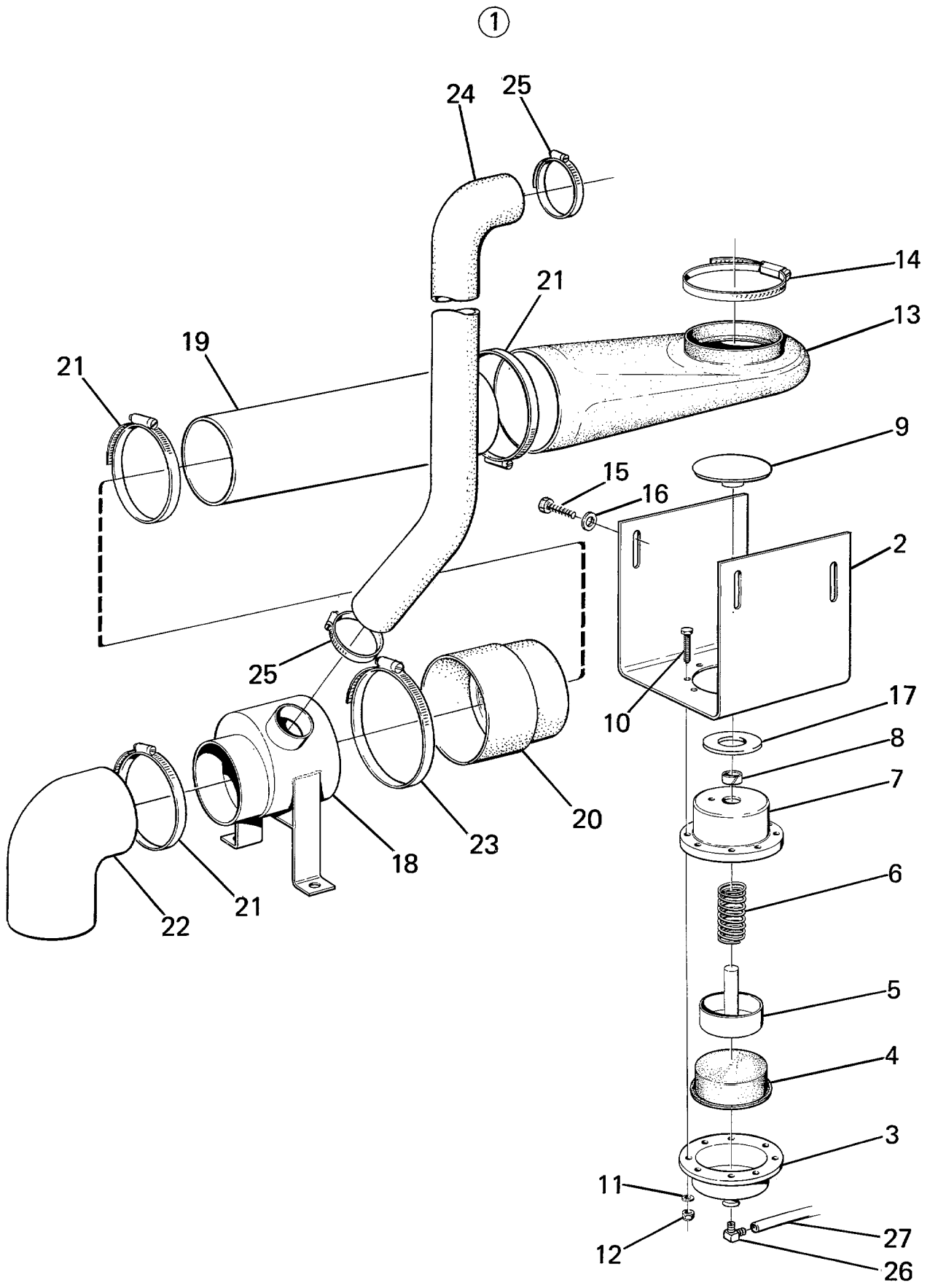
**EX-200,EX-200 HI-TEK**

**Dispensing components**

**Distributeur de savon**

Illustration Issue Month Year  
Schéma Issue Month Year  
**100440/1 1 5 1988**

Item Article	Qua Qua	Art.No Réf. article	Description	Description	Info Info	Notes Remarques
1	1	471 4052-01	Detergent container	Compartment à savon	3	50Hz
	1	471 4052-02	Detergent container	Compartment à savon	3	60Hz
2	1	471 4050-01	•Container	•Conteneur	3	
3	5	471 4045-01	•Pipe	•Tube	3	
4	5	471 4044-01	•Pipe	•Tube	3	
5	5	471 4041-01	•Bracket	•Support de montage	3	
6	12	731 2314-92	•Nut	•Écrou	3	M5 SS
7	11	471 8164-01	•Grommet	•Oeillet	1	D11
8	5	471 8235-01	•Valve	•Soupape	1,2	See group US8111
	5	471 8235-09	•Valve	•Soupape	1,2	208-240V 60Hz 2-way See group US8111
9	1	471 8632-05	•Elbow pipe	•Tube en V	3	
10	4	471 4215-01	•Pipe	•Tube	3	
11	4	471 8634-05	•T-pipe	•Tube en T	3	
12	1	471 8631-04	•Muff	•Tubulure	3	
13	1	471 8614-02	•Hose nipple	•Mamelon de flexible	3	R3/4"
14	2	736 2825-51	•Hose clamp	•Attache flexible	3	Ø32 32
15	1	471 8116-03	•Hose	•Flexible	1	L=1450 L-1000
16	20	736 2816-51	•Hose clamp	•Attache flexible	3	Ø13-19 20
17	10	471 2413-33	•Hose	•Flexible	1	
18	1	471 2429-80	•Hose	•Flexible	1	
19	1	471 9075-57	•Connection	•Embrayage	3	
20	1	471 9063-05	•Muff	•Tubulure	3	
21	1	471 8643-01	•Nozzle	•Tuyère	1	
22	3	471 4039-02	•Shaft	•Arbre	3	
23	6	471 8517-01	•Washer	•Rondelle	3	
24	6	734 1164-09	•Washer	•Rondelle	3	BRB 8,4X17
25	6	731 2318-42	•Nut	•Écrou	3	M8SS
26	5	471 4103-19	•Cup	•Godet	1	
27	1	471 4051-01	•Hose	•Flexible	1	
28	2	736 2840-51	•Hose clamp	•Attache flexible	3	Ø50-63 65
29	1	472 6030-01	•Handle	•Poignée	1	Complete
30	4	734 1178-09	•Washer	•Rondelle	3	BRB 13X24
31	1	471 8577-02	•Bushing	•Douille	1	
32	1	724 1335-01	•Screw	•Vis	3	M5X30
33	4	724 1323-42	•Screw	•Vis	3	M5X8
34	1	471 8174-02	•Rubber strip	•Joint caoutchouc	1	
35	1	471 4211-02	•Door	•Plaque	3	
36	1	471 4212-01	•Door	•Plaque	3	
37	2	724 1331-42	•Screw	•Vis	3	M5X20
38	2	734 1146-01	•Washer	•Rondelle	3	BRB 5,3X10
39	2	734 1173-09	•Washer	•Rondelle	3	BRB 10,5X21
40	2	471 8576-01	•Bearing bushing	•Douille de palier	3	
41	5	724 1285-42	•Screw	•Vis	3	M4X6
42	1	725 5340-01	•Screw	•Vis	3	M5X45
43	4	724 1289-42	•Screw	•Vis	3	M4X10
44	4	732 2312-42	•Nut	•Écrou	3	M4



Issue	Month	Year
01	05	88

**EX-200 HI-TEK,EX-200 -87/1329**

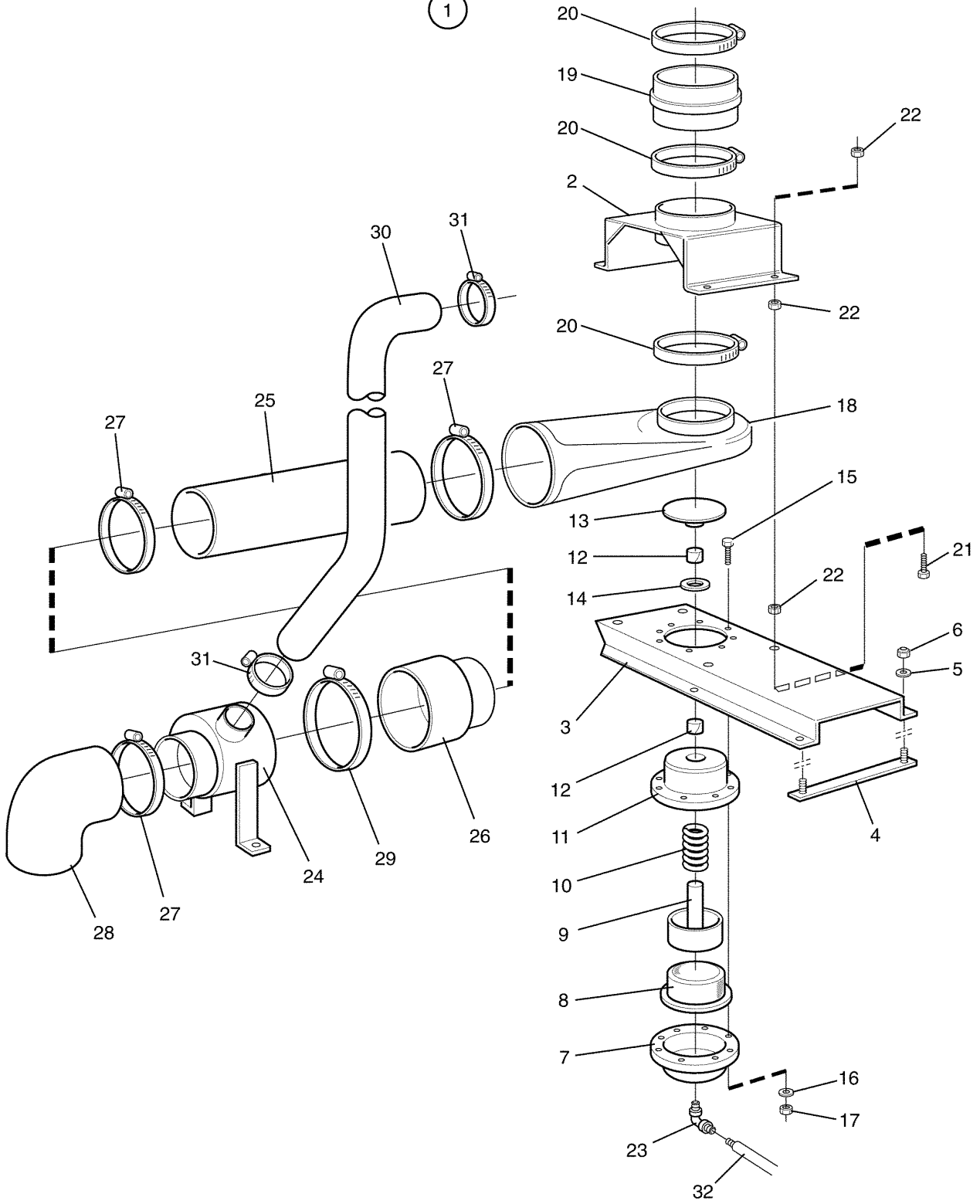
**Drain valve**

**Purgeur**

Illustration Issue Month Year  
Schéma Issue Month Year  
**100441 1 5 1988**

Item Article	Qua Qua	Art.No Réf. article	Description	Description	Info Info	Notes Remarques
1	1	471 4107-90	Drain valve	Purgeur	1	Complete
2	1	471 2417-29	•Bracket	•Pièce de retenue	3	
3	1	471 2417-21	•Cover	•Couvercle	1	
4	1	471 9065-37	•Diaphragm	•Diaphragme	1,2	
5	1	471 4023-00	•Piston	•Piston	1	
6	1	471 2417-25	•Spring	•Ressort	1	
7	1	471 4024-00	•Cylinder	•Cylindre	1	
8	1	471 8575-00	•Bearing	•Coussinet	1,2	
9	1	471 4021-00	•Plate	•Tableau	1,2	
10	8	725 2374-51	•Screw	•Vis	3	M6X30
11	8	734 1153-01	•Washer	•Rondelle	3	BRB 6,4X12
12	8	732 2116-01	•Locking nut	•Contre-écrou	3	M6
13	1	471 4005-75	•Hose	•Flexible	1,2	
14	1	736 2855-51	•Hose clamp	•Attache flexible	1	Ø138
15	4	725 2455-51	•Screw	•Vis	3	M8X30
16	4	471 9019-34	•Washer	•Rondelle	3	TBRBSB 8,4X26
17	1	471 8159-01	Gasket	Joint	1	
18	1	472 6952-01	Connection	Flexible caoutchouc	3	
19	1	471 4634-52	Drain pipe	Tuyau d'écoulement	3	
20	1	471 4107-82	Pipe	Tube	1	
21	3	471 9219-86	Hose clamp	Attache flexible	3	
22	1	471 4005-76	Hose	Flexible	1	
23	1	736 2867-51	Hose clamp	Attache flexible	3	
24	1	471 4005-90	Hose	Flexible	1	
25	2	736 2849-51	Hose clamp	Attache flexible	3	Ø77-93
26	1	471 9062-93	Angle connector	Raccord d'angle	3	
27	1	471 4647-80	Hose	Flexible	3	

1



**EX-200 HI-TEK,EX-200 87/1328-**

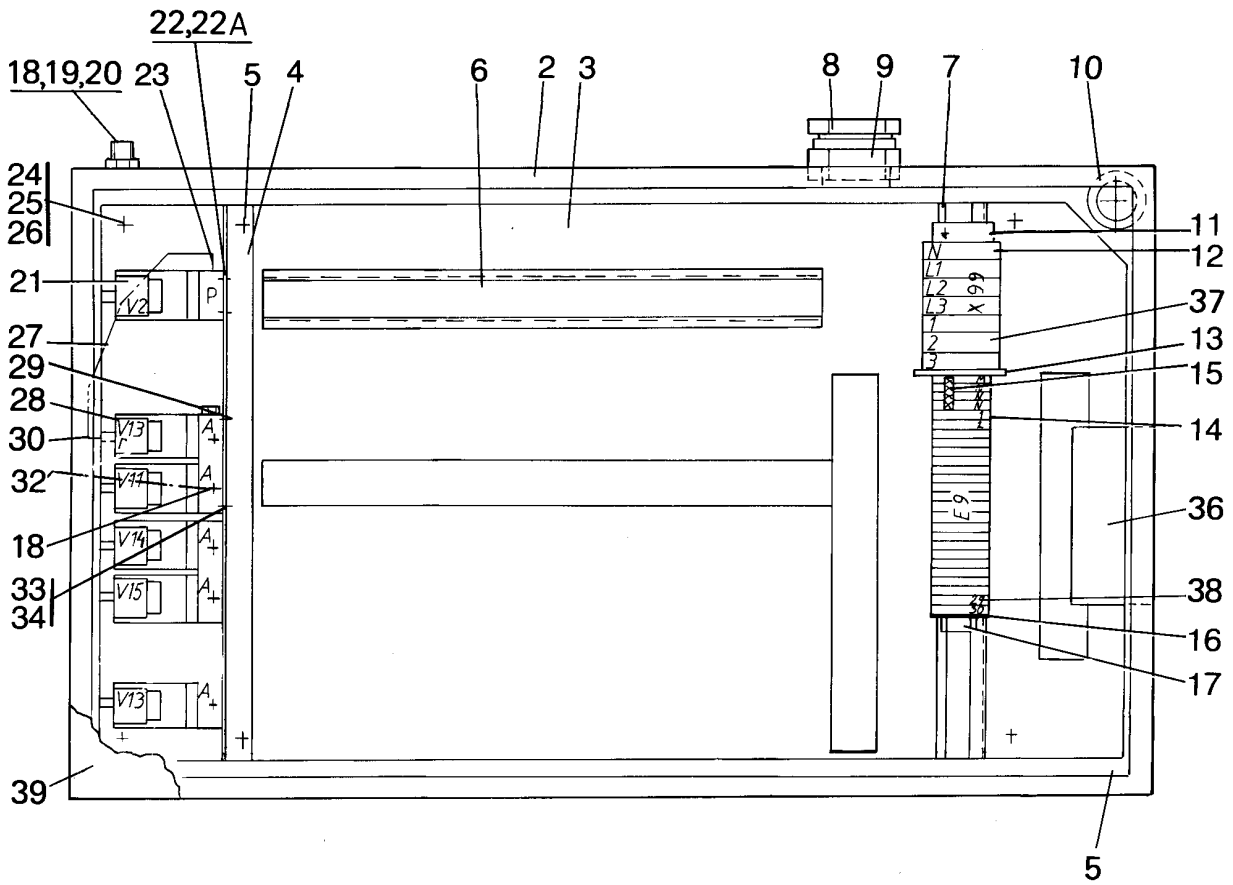
**Drain valve**

**Purgeur**

Illustration Issue Month Year  
Schéma Issue Month Year  
**100246/1 2 5 1998**

Item Article	Qua Qua	Art.No Réf. article	Description	Description	Info Info	Notes Remarques
1	1	472 9076-01	Drain valve	Purgeur	1	Complete
2	1	472 9072-01	•Clamp	•Bride de fixation	3	
3	1	472 9075-01	•Bracket	•Pupitre	3	
4	2	472 9073-01	•Bracket	•Support de montage	3	
5	4	734 1178-01	•Washer	•Rondelle	3	BRB 13X24
6	4	732 2122-01	•Locking nut	•Contre-écrou	3	M12
7	1	471 2417-21	•Cover	•Couvercle	1	
8	1	471 9065-37	•Diaphragm	•Diaphragme	1,2	
9	1	471 4023-00	•Piston	•Piston	1	
10	1	471 2417-25	•Spring	•Ressort	1	
11	1	471 4024-00	•Cylinder	•Cylindre	1	
12	2	471 8575-00	•Bearing	•Coussinet	1,2	
13	1	471 4021-00	•Plate	•Tableau	1,2	
14	1	471 8159-01	•Gasket	•Joint	1	
15	8	725 2374-51	•Screw	•Vis	3	M6X30
16	8	734 1153-01	•Washer	•Rondelle	3	BRB 6,4X12
17	8	732 2116-01	•Locking nut	•Contre-écrou	3	M6
18	1	471 4005-75	•Hose	•Flexible	1,2	
19	1	472 9070-01	•Hose	•Flexible	1,2	
20	3	736 2855-51	•Hose clamp	•Attache flexible	3	Ø138
21	4	725 2461-51	•Screw	•Vis	3	M8X50
22	12	731 2318-01	•Nut	•Écrou	3	M8
23	1	471 8690-22	•Angle connector	•Raccord d'angle	3	
24	1	472 6952-01	Connection	Flexible caoutchouc	3	
25	1	471 4634-52	Drain pipe	Tuyau d'écoulement	3	
26	1	471 4107-82	Pipe	Tube	1	
27	3	471 9219-86	Hose clamp	Attache flexible	3	
28	1	471 4005-76	Hose	Flexible	1	
29	1	736 2867-51	Hose clamp	Attache flexible	3	
30	1	471 4005-90	Hose	Flexible	1	
31	2	736 2849-51	Hose clamp	Attache flexible	3	Ø77-93
32	1	471 4647-80	Hose	Flexible	3	

1





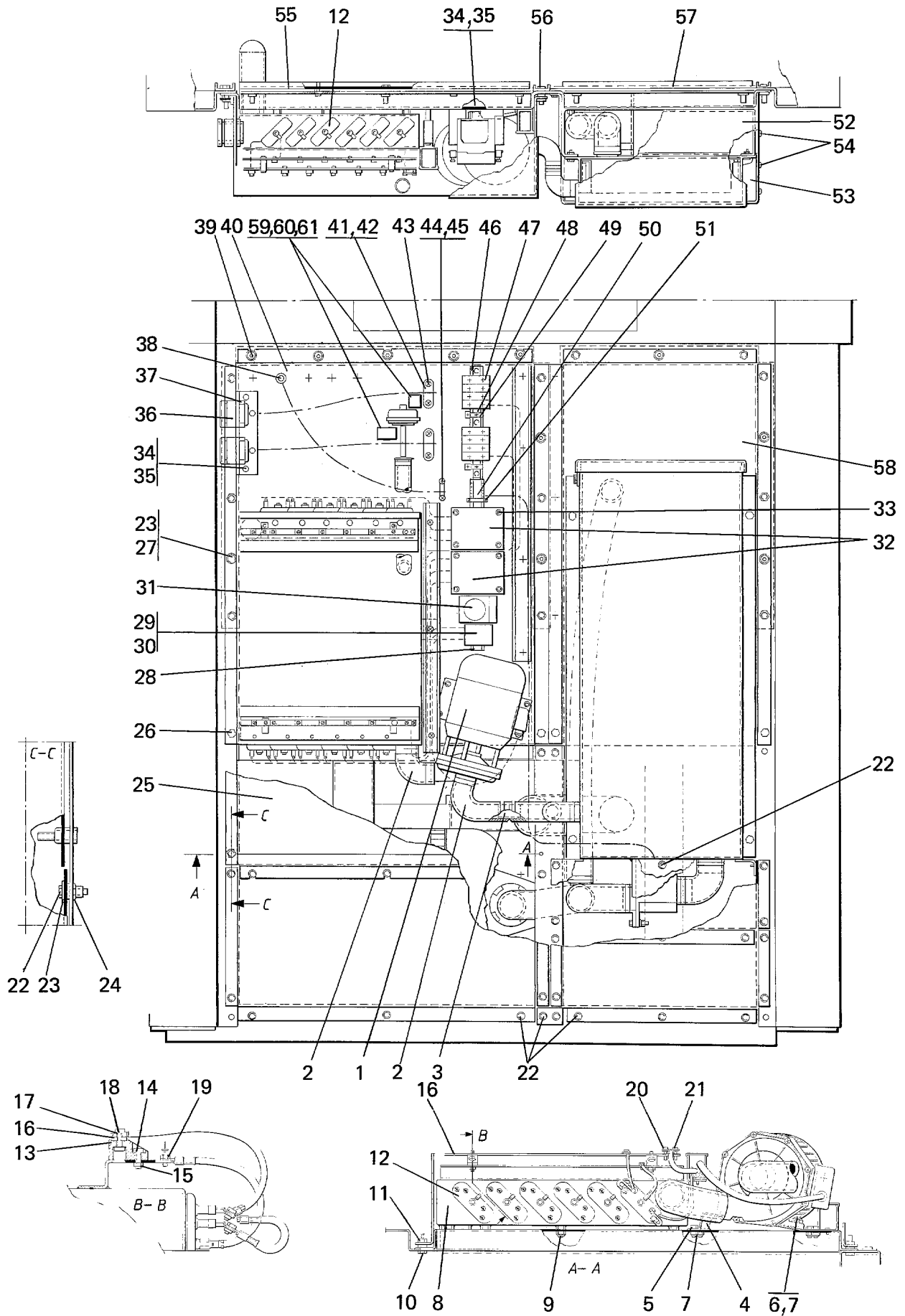
**EX-200 HI-TEK,EX-200 83/1061-**

**Component box**

**Boîtier de l'appareil**

Illustration Issue Month Year  
Schéma Issue Month Year  
**100442 2 5 1998**

Item Article	Qua Qua	Art.No Réf. article	Description	Description	Info Info	Notes Remarques
1	1	472 6850-01	Container	Conteneur	3	50Hz
	1	472 6850-02	Container	Conteneur	3	60Hz
2	1	472 6849-01	•Container	•Conteneur	3	White -84/1100
	1	472 6824-01	•Component box	•Boîtier de composants	3	White 84/1101-
3	1	472 6846-01	•Plate	•Plaque	3	
4	1	472 6845-01	•Bracket	•Support de montage	3	
5	RQ	729 5342-01	•Screw	•Vis	3	
6	1	472 6848-01	•Rail	•Support	3	L=360
7	1	472 6847-01	•Rail	•Support	3	
8	1	762 2114-05	•Sleeve	•Manchon	3	
9	1	471 8780-37	•Nut	•Écrou	3	
10	2	762 1209-10	•Grommet	•Oeillet	3	
11	2	762 7121-80	•Ground connection	•Connexion à la masse	3	380V,415V
12	1	471 8702-01	•Terminal connection	•Bloc de connexion	3	
13	1	762 7120-90	•Plate	•Tableau	3	
14	34	762 7102-05	•Terminal connection	•Bloc de connexion	3	
15	1	762 7137-90	•Bridge connection	•Montage en pont	3	
16	1	762 7116-90	•End plate	•Panneau arrière	3	
17	1	762 7145-90	•End support	•Support	3	
18	4	471 9062-94	•Connection	•Embrayage	3	
19	1	471 9226-04	•Bushing	•Douille	3	
20	1	471 4647-83	•Hose	•Flexible	3	D6X1X750
21	1	471 9202-32	•Solenoid valve	•Électrovanne	1,2	50Hz
	1	471 9202-33	•Solenoid valve	•Électrovanne	1,2	60Hz
22	6	724 1289-01	•Screw	•Vis	3	M4X10
23	1	471 9062-93	•Angle connector	•Raccord d'angle	3	
24	4	725 2372-51	•Screw	•Vis	3	M6X25
25	4	734 1153-01	•Washer	•Rondelle	3	BRB 6,4X12
26	4	731 2216-01	•Nut	•Écrou	3	M6
27	1	471 2453-45	•Pipe	•Tube	3	6X4X250
28	1	471 9043-04	•Solenoid valve	•Électrovanne	1,2	50Hz
	1	471 9067-46	•Solenoid valve	•Électrovanne	1,2	60Hz
29	1	741 5109-25	•Plug	•Fiche	3	
30	1	471 9062-92	•Angle connector	•Raccord d'angle	3	
31						Not used
32	1	471 4640-43	•Pipe	•Tube	3	6X4X500
33	2	724 1327-01	•Screw	•Vis	3	M5X12
34	4	734 1808-51	•Washer	•Rondelle	3	NB 5X16
35	1	471 4640-00	•Bracket	•Support de montage	3	
36	1	471 4091-01	Cover plate	Plaque recouvrement	3	White



100248

Issue	Month	Year
03	05	90

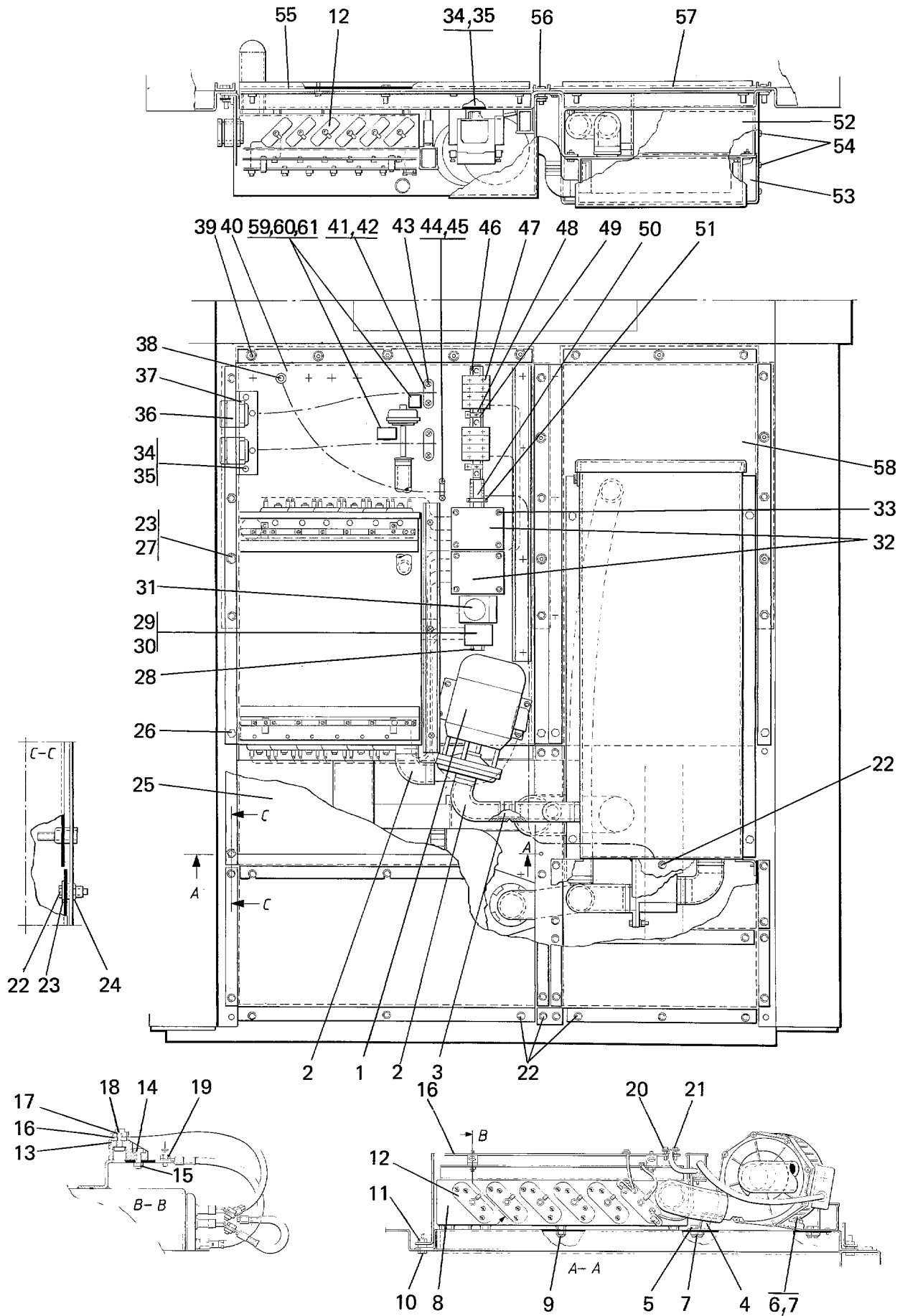
**EX-200 HI-TEK,EX-200 83/1061-**

**Electrically heated, part 1**

**Chauffage électrique, partie 1**

Illustration Issue Month Year  
Schéma Issue Month Year  
**100248 2 5 1998**

Item Article	Qua Qua	Art.No Réf. article	Description	Description	Info Info	Notes Remarques
1	1	471 9223-03	Pump	Pompe	1	380-415V, 50Hz
2	4	471 2260-05	Hose	Flexible	1	
3	2	471 4013-01	Pipe	Tube	3	
4	1	472 9014-01	Bracket	Pupitre	3	
5	4	725 2368-51	Screw	Vis	3	M6X16
6	4	734 1153-09	Washer	Rondelle	3	BRB 6,4X12
7	8	732 2116-01	Locking nut	Contre-écrou	3	M6
8	1	472 9023-01	Heating box	Boîtier du chauffage	3	
9	5	732 2118-01	Locking nut	Contre-écrou	3	M8
10	2	725 2455-51	Screw	Vis	3	M8X30
11	22	731 2318-01	Nut	Écrou	3	M8
12	12	471 9809-04	Heating element	Élément chauffant	1,2	6KW 220V
13	4	762 7103-92			1,2	
14	4	724 1293-01	Screw	Vis	3	M4X16
15	4	732 2112-01	Locking nut	Contre-écrou	3	M4
16	1	885 4158-00	Rail	Support	3	
17	12	762 7104-92	Clamp	Attache serre-joint	3	
18	16	723 2325-31	Screw	Vis	3	M5X10
19	RQ	725 2285-42	Screw	Vis	3	M4X6
20	2	762 7105-92			3	
21	4	723 2328-31	Screw	Vis	3	M5X14
22	RQ	725 2364-51	Screw	Vis	3	M6X10
23	RQ	471 8502-05	Washer	Rondelle	3	NB 6x22
24	2	733 1842-51	Nut	Écrou	3	M6
25	1	472 9005-01	Safety lid	Couvercle protection	3	
26	4	725 2449-51	Screw	Vis	3	M8X16
27	9	725 2366-61	Screw	Vis	3	M6SF 6X12
28	1	472 9026-01	Rail	Support	3	
29	1	767 5122-00	Contacteur	Relais	1,2	50Hz 220-240V 50Hz
30						Not used
31	1	471 9226-97	Time relay	Relais temporisé	1,2	50/60Hz
32	2	767 5103-66	Contacteur	Relais	1,2	50Hz 220-240V 50Hz
33	8	724 1335-01	Screw	Vis	3	M5X30
34	9	725 2327-51	Screw	Vis	3	M5X12
35	9	732 2114-01	Locking nut	Contre-écrou	3	M5
36	2	762 2114-05	Sleeve	Manchon	3	
37	2	471 8780-37	Nut	Écrou	3	
38	1	762 1152-10	Grommet	Oeillet	3	
39	3	734 1164-01	Washer	Rondelle	3	8,4X17
40	1	472 9001-02	Mounting plate	Plaque de montage	3	
41	2	471 7859-01			3	
42	2	471 7859-11	Clamp	Attache	3	
43	4	471 8300-09	Screw	Vis	3	M4X80
44	2	471 9006-61	Cable clamp	Fixation câbles	3	
45	2	724 1303-01	Screw	Vis	3	M4X40
46	1	472 9027-01	Rail	Support	3	
47	3	471 2461-75	Terminal connection	Bloc de connexion	1	208-240V
48	3	762 7146-90	End support	Support	1	
49	2	762 7110-80	Ground connection	Connexion à la masse	1	
50	2	762 7111-10	Terminal connection	Bloc de connexion	1	3 Phase
51	1	762 7105-80	Ground connection	Connexion à la masse	1	
52	1	472 9044-01	Cover plate	Plaque recouvrement	3	
53	2	472 9045-01	Cover plate	Plaque recouvrement	3	
54	6	729 5342-01	Screw	Vis	3	
55	1	472 9009-01	Bracket	Support de montage	3	
56	3	472 9009-02	Bracket	Support de montage	3	
57	1	472 9009-03	Bracket	Support de montage	3	
58	1	472 9002-01	Mounting plate	Plaque de montage	3	
59	2	471 8800-05	Thermostat	Thermostat	3	



100248

Issue	Month	Year
03	05	90

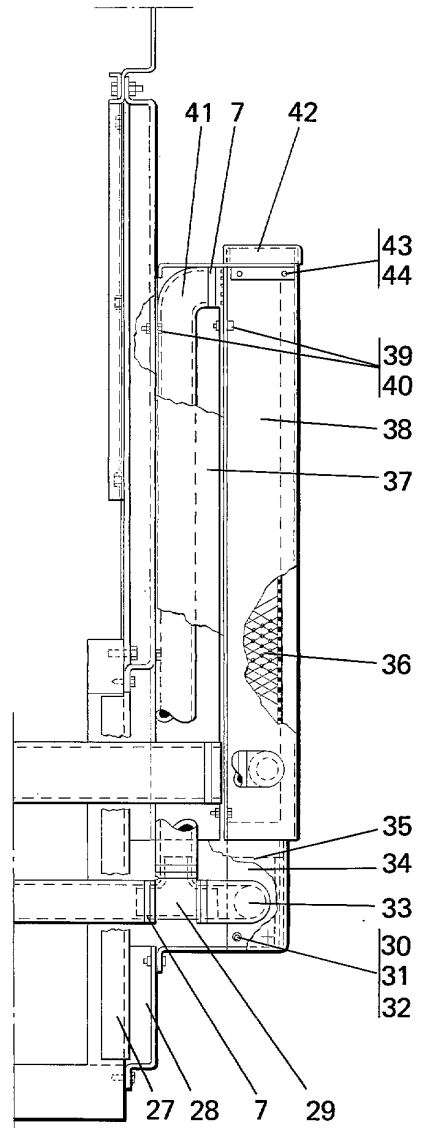
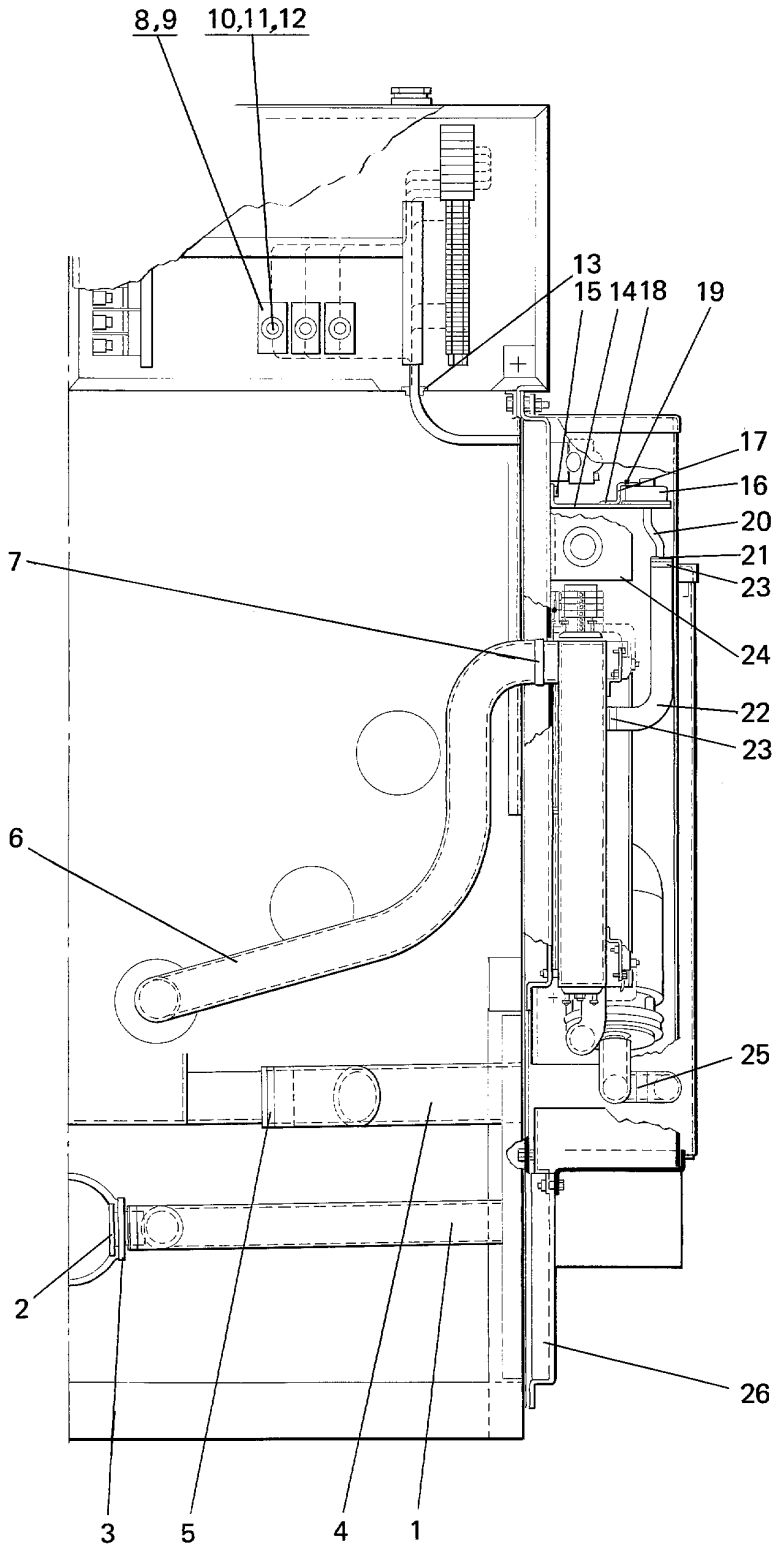
**EX-200 HI-TEK,EX-200 83/1061-**

**Electrically heated, part 1**

**Chauffage électrique, partie 1**

Illustration	Issue	Month	Year
Schéma	Issue	Month	Year
<b>100248</b>	<b>2</b>	<b>5</b>	<b>1998</b>

Item Article	Qua Qua	Art.No Réf. article	Description	Description	Info Info	Notes Remarques
<b>60</b>	2	<b>472 9818-01</b>	Clamp	Attache	3	
<b>61</b>	4	<b>724 1285-01</b>	Screw	Vis	3	M4X6



Issue	Month	Year
01	05	88

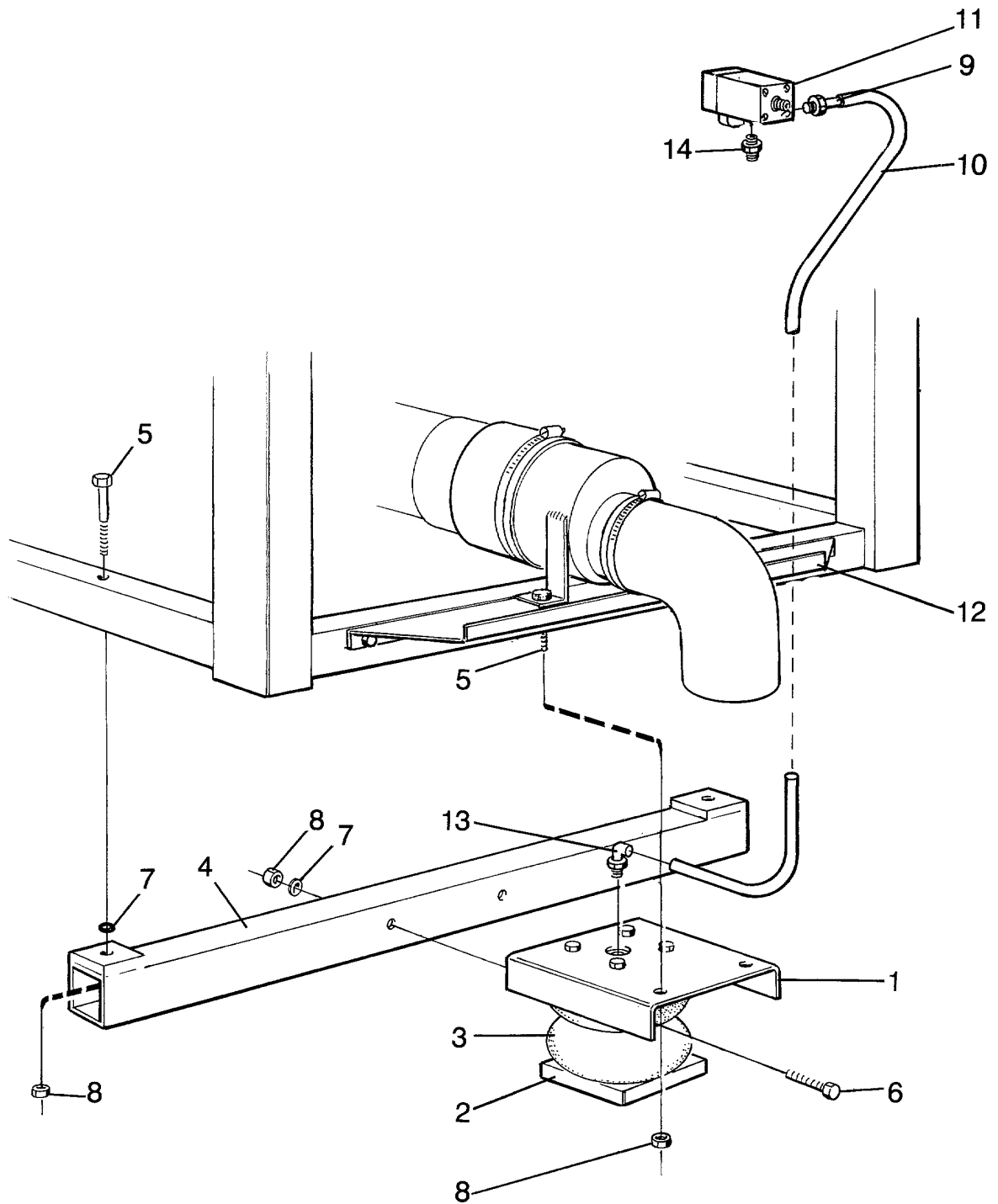
**EX-200,EX-200 HI-TEK**

**Electrically heated, part 2**

**Chauffage électrique, partie 2**

Illustration Issue Month Year  
Schéma Issue Month Year  
**100249 3 8 1997**

Item Article	Qua Qua	Art.No Réf. article	Description	Description	Info Info	Notes Remarques
1	1	472 9047-01	Hose	Flexible	1,2	
2	1	438 4101-01	Nipple	Raccord	3	
3	1	438 4100-01	Nut	Écrou	3	
4	1	472 9046-01	Hose	Flexible	1,2	
5	2	736 2849-51	Hose clamp	Attache flexible	1,2	Ø77-93
6	1	472 9048-01	Hose	Flexible	1,2	
7	10	736 2840-51	Hose clamp	Attache flexible	1,2	Ø50-63
8	3	471 8751-01			1	
9	6	724 1293-01	Screw	Vis	3	M4X16
10	3	471 8751-51			1	
11	3	471 8751-77	Fuse	Porte-fusible	1,2	6A
12	3	471 8751-25	Hood	Capot	3	25A
13	1	762 1152-10	Grommet	Oeillet	3	
14	1	472 9016-01	Bracket	Pupitre	3	
15	2	724 1293-01	Screw	Vis	3	M4X16
16	1	471 8860-11	Level control	Réglage de niveau	1,2	
17	1	472 9017-01	Clamp	Attache	3	
18	1	729 5342-01	Screw	Vis	3	
19	1	729 5279-01	Screw	Vis	3	RXS B6X9,5
20	1	471 2440-36	Hose	Flexible	1,2	L=90
21	1	471 2260-95	Nipple	Raccord	3	
22	1	471 4391-01	Hose	Flexible	1,2	
23	2	736 2828-51	Hose clamp	Attache flexible	1,2	
24	1	472 9003-01	Bracket	Pupitre	3	
25	8	736 2837-51	Hose clamp	Attache flexible	1,2	Ø48-54
26	1	472 9013-02	Cover plate	Plaque recouvrement	3	
27	1	472 9004-02	Brace	Montant	3	
28	1	472 9012-02	Cover plate	Plaque recouvrement	3	
29	1	472 9028-01	T-pipe	Tube en T	3	
30	RQ	725 2364-51	Screw	Vis	3	M6X10
31	RQ	471 8502-05	Washer	Rondelle	3	NB 6x22
32	2	731 2316-01	Nut	Écrou	3	M6
33	1	471 4388-02	Hose	Flexible	1,2	
34	1	471 9219-65	Drain valve	Purgeur	1,2	50/60Hz See group US8102
35	1	472 9011-01	Cover	Couvercle	3	
36	1	471 4374-01	Strainer	Filtre	1,2	
37	2	472 9008-01	Mounting plate	Plaque de montage	3	
38	1	472 9018-01	Strainer housing	Logement du filtre	3	
39	8	725 2449-51	Screw	Vis	3	M8X16
40	8	731 2318-01	Nut	Écrou	3	M8
41	1	471 4388-03	Hose	Flexible	1,2	
42	1	471 4375-01	Cover	Couvercle	3	
43	2	724 1289-42	Screw	Vis	3	M4X10
44	2	731 2312-42	Nut	Écrou	3	M4





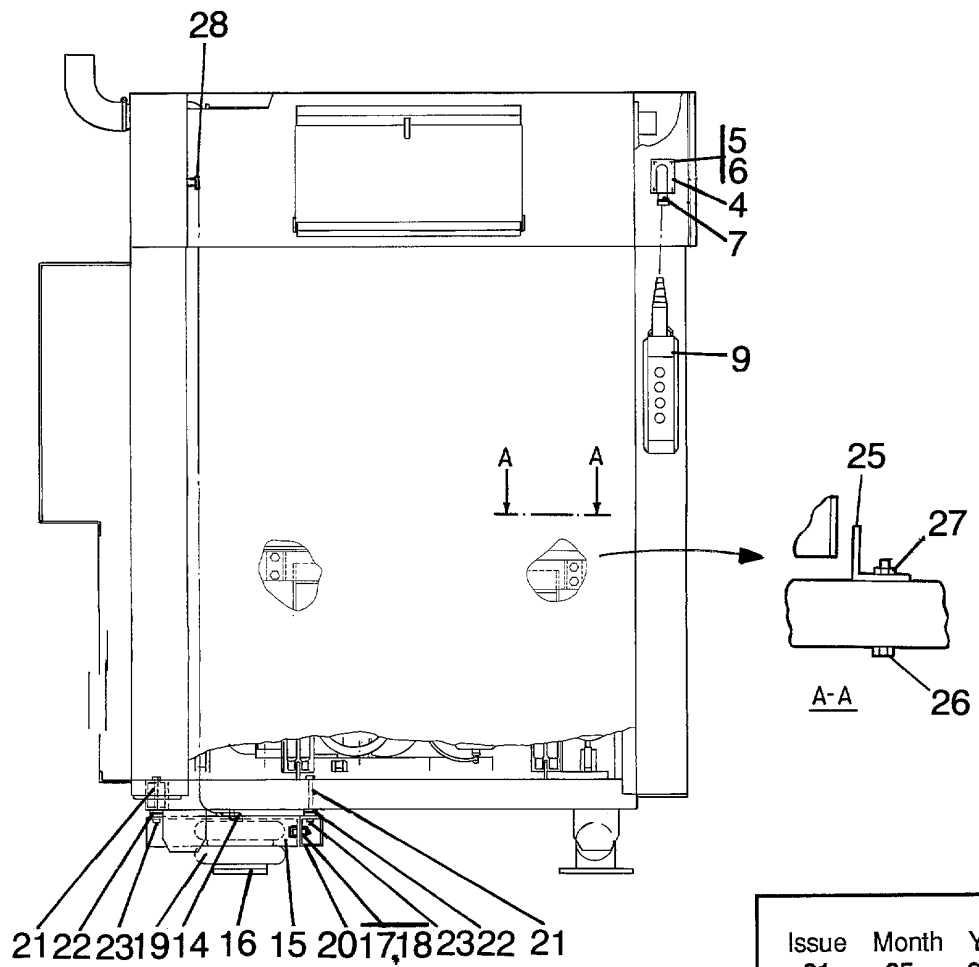
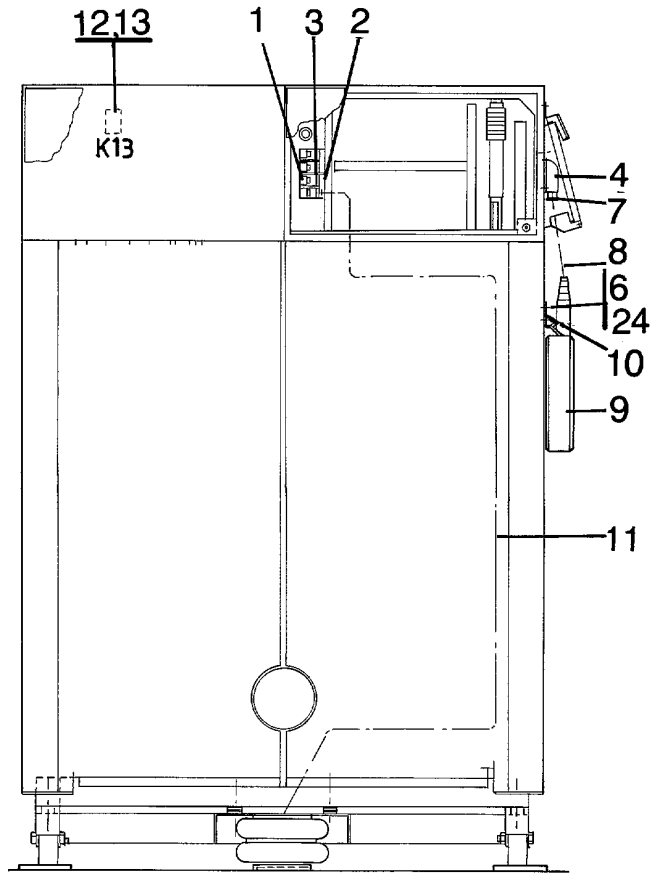
**EX-200 HI-TEK,EX-200 -83/1060**

**Tilting device**

**Unité basculement**

Illustration	Issue	Month	Year
Schéma	Issue	Month	Year
<b>100443</b>	<b>1</b>	<b>5</b>	<b>1988</b>

Item Article	Qua Qua	Art.No Réf. article	Description	Description	Info Info	Notes Remarques
1	1	471 4005-62	Mounting plate	Plaque de montage	3	
2	1	471 4207-01	Plate	Tableau	3	
3	1	471 8271-02	Cylinder	Cylindre	1	
4	1	471 4639-83	Beam	Poutre	3	
5	4	471 9046-39	Screw	Vis	3	M12X130
6	2	725 2540-51	Screw	Vis	3	M12X40
7	16	471 9073-59	Washer	Rondelle	3	TBRSB 13X36
8	6	732 2122-01	Locking nut	Contre-écrou	3	M12
9	1	471 9062-94	Connection	Embrayage	3	
10	1	471 4647-80	Hose	Flexible	1	
11	1	471 9043-03	Solenoid valve	Électrovanne	1,2	220V 50Hz
	1	471 9214-69	Solenoid valve	Électrovanne	1,2	220V 60Hz
12	1	472 6946-01	Plate	Plaque	3	
13	1	471 9062-92	Angle connector	Raccord d'angle	3	
14	1	471 3109-22	Nipple	Raccord	3	



Issue	Month	Year
01	05	88

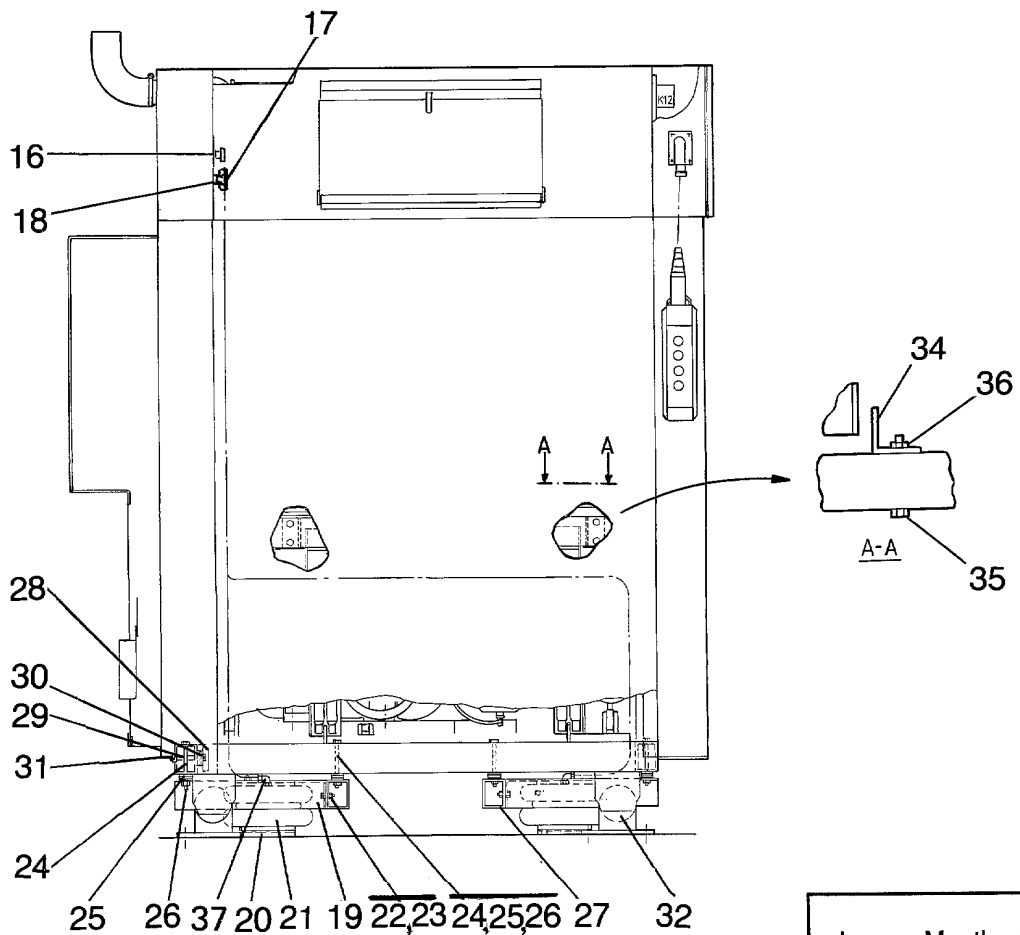
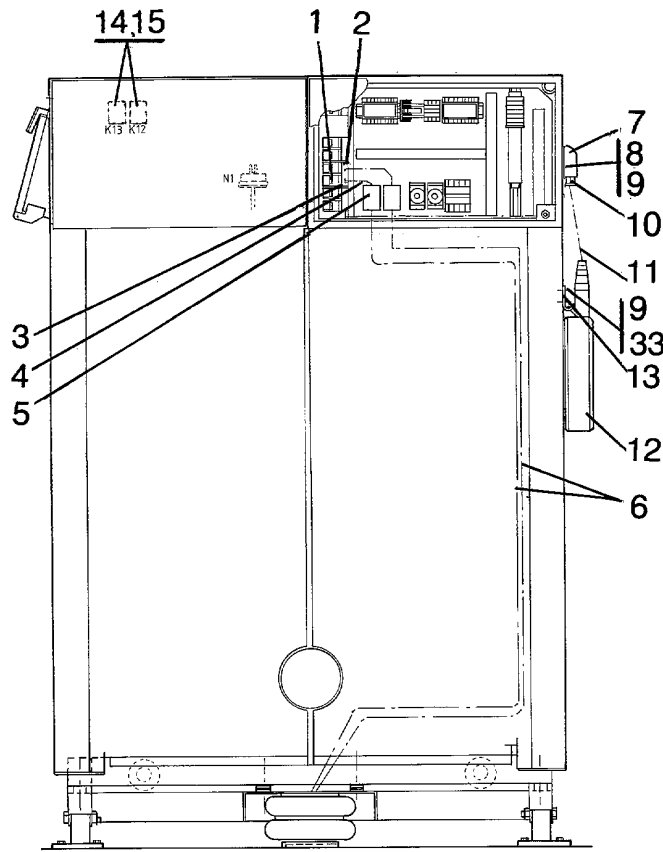
**EX-200 HI-TEK,EX-200 -83/1060**

**Tilting device, forward**

**Basculement avant**

Illustration Issue Month Year  
Schéma Issue Month Year  
**100444 1 5 1988**

Item Article	Qua Qua	Art.No Réf. article	Description	Description	Info Info	Notes Remarques
		<b>988 8011-01</b>	Tilting device	Unité de décharge		50Hz FORWARD,COMPL,STD
		<b>988 8011-02</b>	Tilting device	Unité de décharge		60Hz COMPL,STD
		<b>988 8011-09</b>	Tilting device	Unité de décharge		50Hz COMPL,MP
<b>1</b>	1	<b>471 9043-04</b>	Solenoid valve	Électrovanne	1,2	50Hz
	1	<b>471 9067-46</b>	Solenoid valve	Électrovanne	1,2	60Hz
<b>2</b>	2	<b>724 1289-01</b>	Screw	Vis	3	M4X10
<b>3</b>	1	<b>471 8626-03</b>	Nipple	Raccord	3	
<b>4</b>	1	<b>472 6852-02</b>	Cover	Couvercle	3	Brown
	1	<b>472 6852-04</b>	Cover	Couvercle	3	Black
<b>5</b>	4	<b>725 2370-42</b>	Screw	Vis	3	M6X20
<b>6</b>	6	<b>731 2316-01</b>	Nut	Écrou	3	M6
<b>7</b>	1	<b>762 2111-05</b>	Sleeve	Manchon	3	
<b>8</b>	1	<b>471 7253-01</b>	Cable	Câble	3	
<b>9</b>	1	<b>471 8721-01</b>	Control for tilting	Bouton-poussoir	1	
<b>10</b>	1	<b>472 6855-01</b>	Hook	Crochet	3	
<b>11</b>	1	<b>471 4647-80</b>	Hose	Flexible	3	
<b>12</b>	1	<b>767 5131-00</b>	Contacteur	Relais	1,2	50Hz
	1	<b>767 5132-00</b>	Contacteur 60Hz	Relais,60Hz	1,2	60Hz
<b>13</b>						Not used
<b>14</b>	1	<b>471 9062-93</b>	Angle connector	Raccord d'angle	3	
<b>15</b>	1	<b>471 4005-62</b>	Mounting plate	Plaque de montage	3	
<b>16</b>	1	<b>471 4207-01</b>	Plate	Tableau	3	
<b>17</b>	2	<b>725 2540-51</b>	Screw	Vis	3	M12X40
<b>18</b>	2	<b>732 2122-01</b>	Locking nut	Contre-écrou	3	M12
<b>19</b>	1	<b>471 8271-02</b>	Cylinder	Cylindre	1	
<b>20</b>	1	<b>471 4639-83</b>	Beam	Poutre	3	
<b>21</b>	4	<b>725 2558-51</b>	Screw	Vis	3	M12X130
<b>22</b>	16	<b>471 9073-59</b>	Washer	Rondelle	3	TBRSB 13X36
<b>23</b>	4	<b>732 2122-01</b>	Locking nut	Contre-écrou	3	M12
<b>24</b>	2	<b>723 5368-42</b>	Screw	Vis	3	M6X16
<b>25</b>	2	<b>472 7956-01</b>	Angle	Coude	3	
<b>26</b>	4	<b>725 2466-51</b>	Screw	Vis	3	M8X75
<b>27</b>	4	<b>732 2118-01</b>	Locking nut	Contre-écrou	3	M8
<b>28</b>	2	<b>471 9062-94</b>	Connection	Embrayage	3	



Issue	Month	Year
01	05	88

**EX-200,EX-200 HI-TEK**

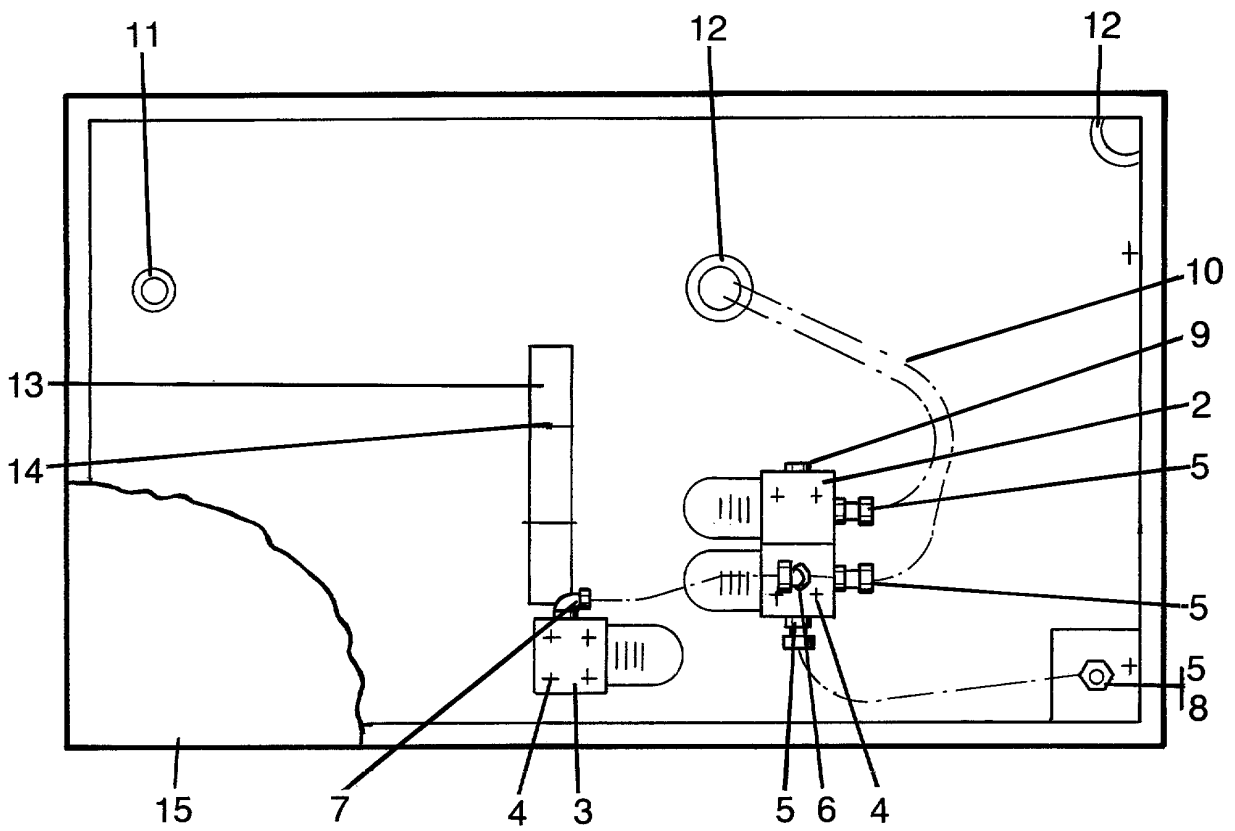
**Tilting device, forward and backward**

**Basculement avant et arrière**

Illustration Issue Month Year  
Schéma Issue Month Year  
**100445 1 5 1988**

Item Article	Qua Qua	Art.No Réf. article	Description	Description	Info Info	Notes Remarques
		<b>988 0111-03</b>	Tilting device	Unité de décharge		50Hz Complete
		<b>988 0111-04</b>	Tilting device	Unité de décharge		60Hz Complete
<b>1</b>	1	<b>471 9043-04</b>	Solenoid valve	Électrovanne	1,2	50Hz
	1	<b>471 9067-46</b>	Solenoid valve	Électrovanne	1,2	60Hz
<b>2</b>	2	<b>724 1289-01</b>	Screw	Vis	3	M4X10
<b>3</b>	1	<b>471 8626-03</b>	Nipple	Raccord	3	
<b>4</b>	2	<b>471 4635-75</b>	Pipe	Tube	3	
<b>5</b>	2	<b>438 4516-01</b>	Pressure sensor	Capteur de pression	1	
<b>6</b>	2	<b>471 4647-80</b>	Hose	Flexible	3	
<b>7</b>	1	<b>472 6852-02</b>	Cover	Couvercle	3	Brown
	1	<b>472 6852-04</b>	Cover	Couvercle	3	Black
<b>8</b>	4	<b>725 2370-42</b>	Screw	Vis	3	M6X20
<b>9</b>	6	<b>731 2316-01</b>	Nut	Écrou	3	M6
<b>10</b>	1	<b>762 2111-05</b>	Sleeve	Manchon	3	
<b>11</b>	1	<b>471 7253-01</b>	Cable	Câble	3	
<b>12</b>	1	<b>471 8721-01</b>	Control for tilting	Bouton-poussoir	1	
<b>13</b>	1	<b>472 6855-01</b>	Hook	Crochet	3	
<b>14</b>	2	<b>767 5131-00</b>	Contactactor	Relais	1,2	50Hz
	2	<b>767 5132-00</b>	Contactactor 60Hz	Relais,60Hz	1,2	60Hz
<b>15</b>						Not used
<b>16</b>	2	<b>471 9062-94</b>	Connection	Embrayage	3	
<b>17</b>	2	<b>471 8601-00</b>	T-coupling	Raccord en T	3	
<b>18</b>	2	<b>741 4102-20</b>	Bushing	Douille	3	
<b>19</b>	2	<b>471 4005-62</b>	Mounting plate	Plaque de montage	3	
<b>20</b>	2	<b>471 4207-01</b>	Plate	Tableau	3	
<b>21</b>	2	<b>471 8271-02</b>	Cylinder	Cylindre	1	
<b>22</b>	4	<b>725 2540-51</b>	Screw	Vis	3	M12X40
<b>23</b>	4	<b>732 2122-01</b>	Locking nut	Contre-écrou	3	M12
<b>24</b>	8	<b>725 2558-51</b>	Screw	Vis	3	M12X130
<b>25</b>	32	<b>471 9073-59</b>	Washer	Rondelle	3	TBRBSB 13X36
<b>26</b>	8	<b>732 2122-01</b>	Locking nut	Contre-écrou	3	M12
<b>27</b>	2	<b>471 4639-83</b>	Beam	Poutre	3	
<b>28</b>						Not used
<b>29</b>						Not used
<b>30</b>						Not used
<b>31</b>						Not used
<b>32</b>	2	<b>472 6818-01</b>	Foot	Pied	3	See illustr. 100420
<b>33</b>	2	<b>724 5368-42</b>	Screw	Vis	3	M6X16
<b>34</b>	4	<b>472 7956-01</b>	Angle	Coude	3	
<b>35</b>	8	<b>725 2466-51</b>	Screw	Vis	3	M8X75
<b>36</b>	8	<b>732 2118-01</b>	Locking nut	Contre-écrou	3	M8
<b>37</b>	1	<b>471 9062-93</b>	Angle connector	Raccord d'angle	3	

1



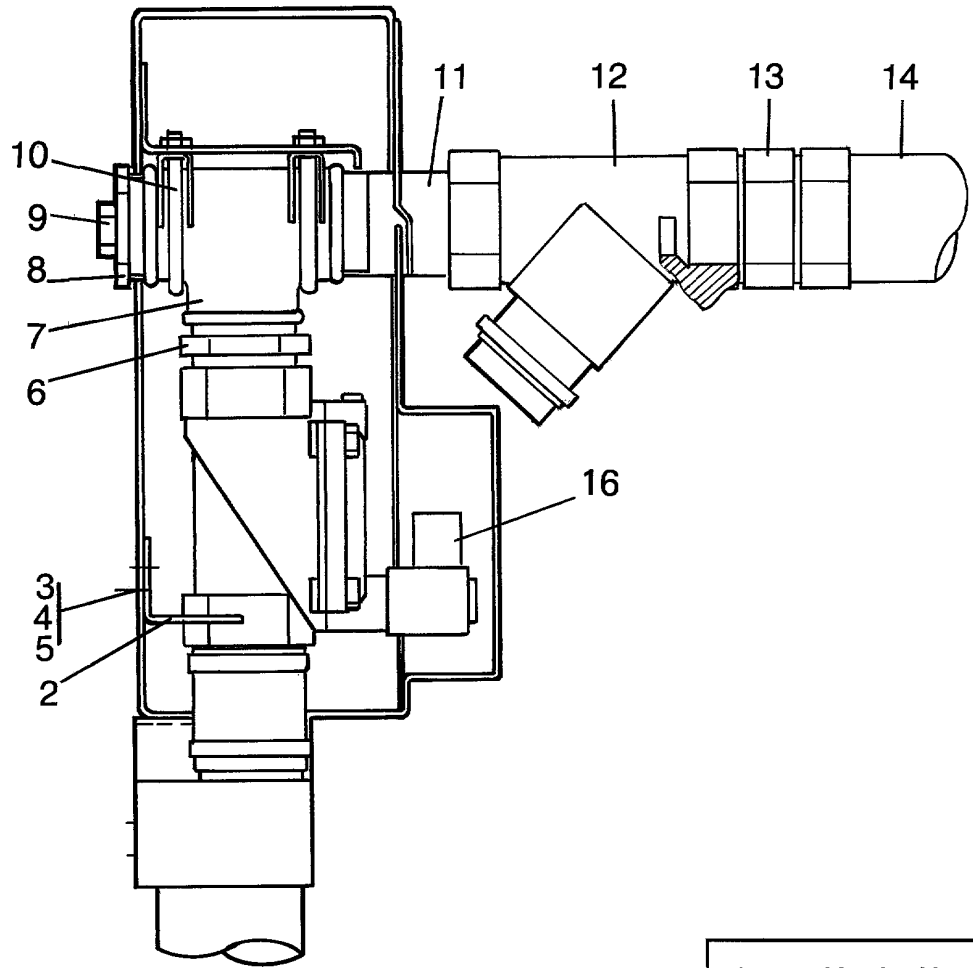
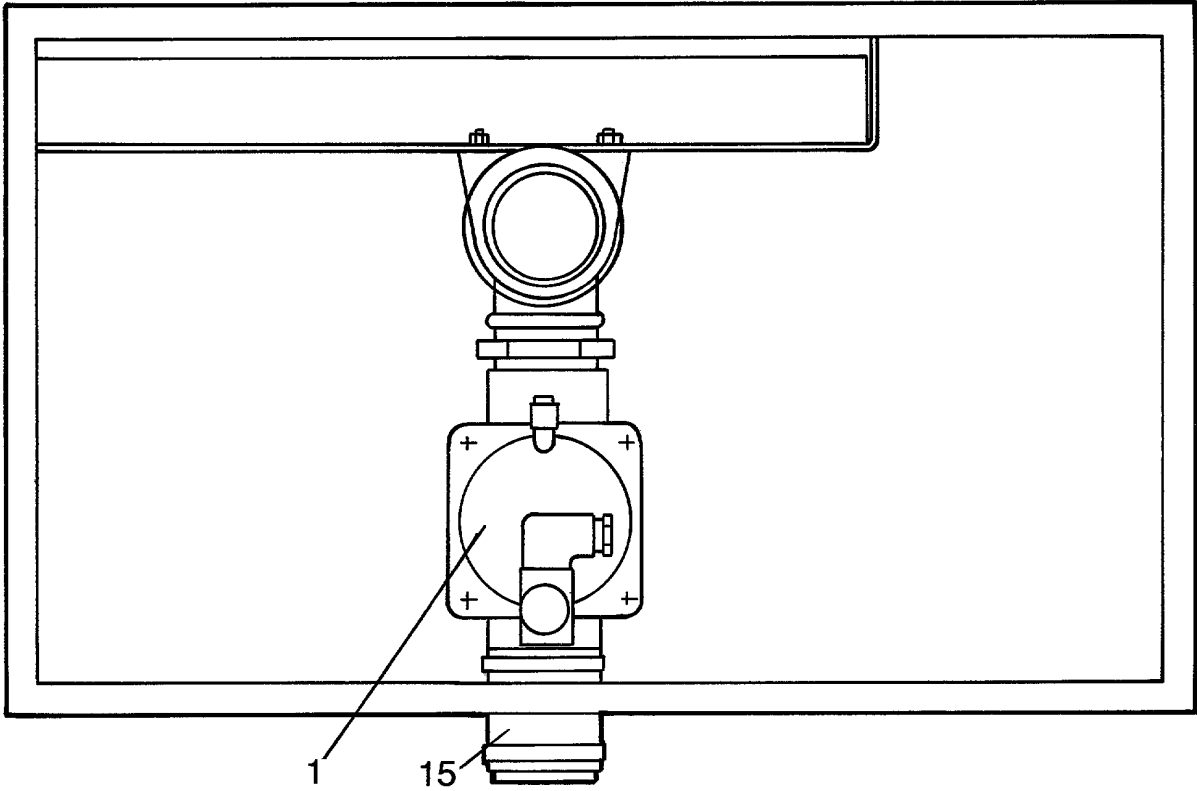
**EX-200 HI-TEK,EX-200 -83/1060**

**Control unit**

**Organe de direction**

Illustration Issue Month Year  
Schéma Issue Month Year  
**100446 1 5 1988**

Item Article	Qua Qua	Art.No Réf. article	Description	Description	Info Info	Notes Remarques
<b>1</b>	1	<b>472 6943-01</b>	Control unit	Unité de commande	3	50Hz Complete
	1	<b>472 6943-02</b>	Control unit	Unité de commande	3	60Hz Complete
<b>2</b>	1	<b>471 9043-04</b>	•Solenoid valve	•Électrovanne	1,2	50Hz
	1	<b>471 9067-46</b>	•Solenoid valve	•Électrovanne	1,2	60Hz
<b>3</b>	1	<b>471 9202-32</b>	•Solenoid valve	•Électrovanne	1,2	50Hz
	1	<b>471 9202-33</b>	•Solenoid valve	•Électrovanne	1,2	60Hz
<b>4</b>	6	<b>724 1289-01</b>	•Screw	•Vis	3	M4X10
<b>5</b>	4	<b>471 9062-94</b>	•Connection	•Embrayage	3	
<b>6</b>	1	<b>471 9062-92</b>	•Angle connector	•Raccord d'angle	3	
<b>7</b>	1	<b>471 9062-93</b>	•Angle connector	•Raccord d'angle	3	
<b>8</b>	1	<b>471 9226-04</b>	•Bushing	•Douille	3	
<b>9</b>	1	<b>471 9063-58</b>	•Plug	•Fiche	3	
<b>10</b>	RQ	<b>471 4647-83</b>	•Hose	•Flexible	3	D6X1X750
<b>11</b>		<b>762 1182-10</b>	•Grommet	•Oeillet	3	Ø22,2MM
<b>12</b>	2	<b>762 1209-10</b>	•Grommet	•Oeillet	3	
<b>13</b>	1	<b>762 7212-57</b>	•Terminal connection	•Bloc de connexion	3	
<b>14</b>	2	<b>724 1228-01</b>	•Screw	•Vis	3	M3X16
<b>15</b>	1	<b>471 4091-01</b>	Cover plate	Plaque recouvrement	3	White
	1	<b>471 4091-02</b>	Cover plate	Plaque recouvrement	3	Yellow





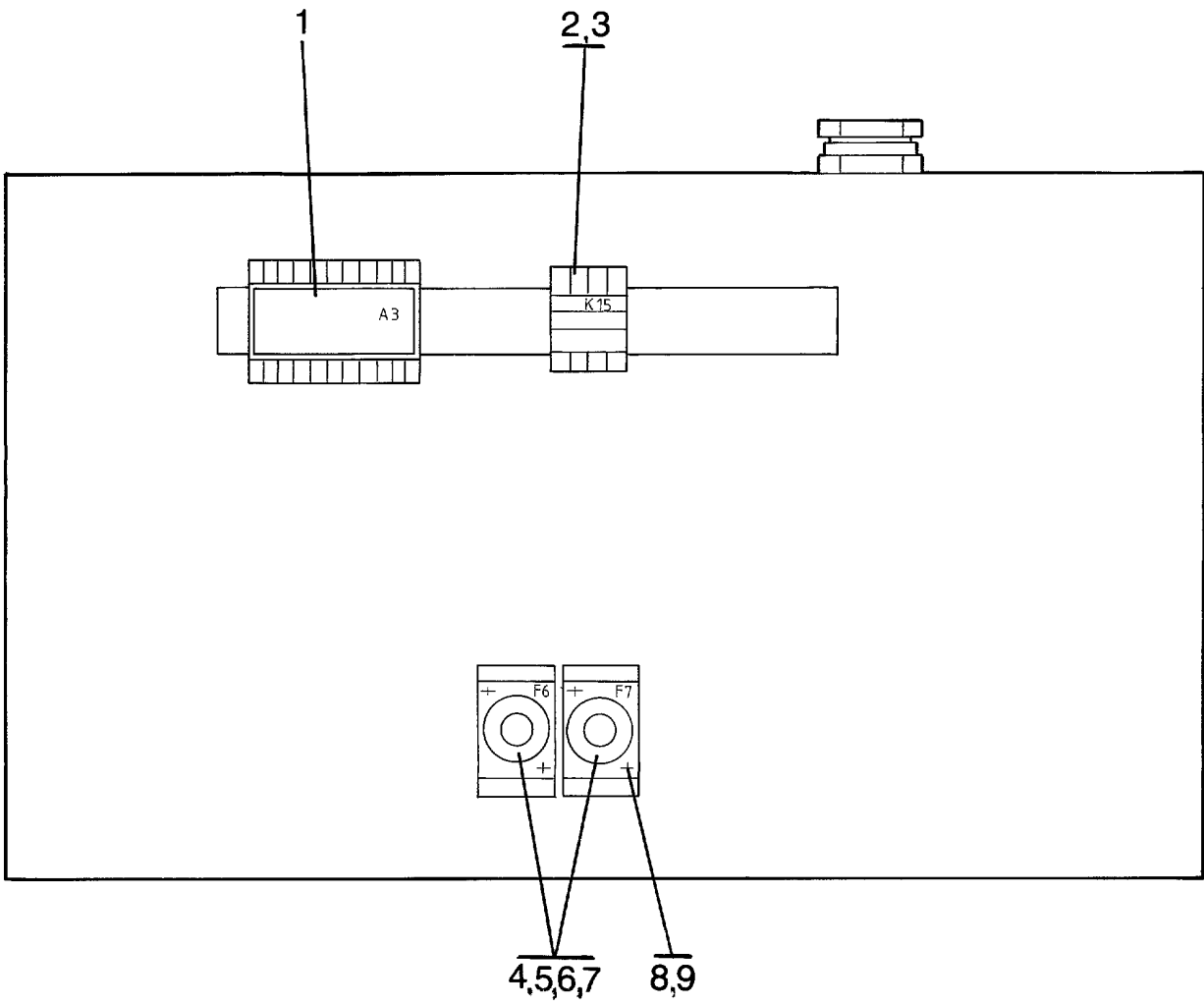
**EX-200 HI-TEK,EX-200 83/1061-**

**Third water valve**

**Soupapes vapeur et eau**

Illustration Issue Month Year  
Schéma Issue Month Year  
**100447 1 5 1988**

Item Article	Qua Qua	Art.No Réf. article	Description	Description	Info Info	Notes Remarques
		<b>988 8017-01</b>	Valve	Soupape		50Hz Complete
		<b>988 8017-02</b>	Valve	Soupape		60Hz Complete
<b>1</b>	1	<b>471 8210-52</b>	Valve	Soupape	1,2	2", 50Hz See group US8116
		<b>471 8210-51</b>	Valve	Soupape	1,2	2", 60Hz See group US8116
<b>2</b>	1	<b>472 6830-02</b>	Angle	Coude	3	
<b>3</b>	2	<b>725 2368-51</b>	Screw	Vis	3	M6X16
<b>4</b>	2	<b>734 1153-01</b>	Washer	Rondelle	3	BRB 6,4X12
<b>5</b>	2	<b>731 2316-01</b>	Nut	Écrou	3	M6
<b>6</b>	1	<b>471 8629-07</b>	Muff	Tubulure	3	
<b>7</b>	1	<b>471 8603-11</b>	T-pipe	Tube en T	3	2"
<b>8</b>	1	<b>471 8604-01</b>	Bushing	Douille	3	
<b>9</b>	1	<b>741 5115-00</b>	Plug	Fiche	3	
<b>10</b>	2	<b>471 7858-02</b>	Clamp	Attache	3	
<b>11</b>	1	<b>471 8620-27</b>	Nipple pipe	Tuyau raccordement	3	
<b>12</b>	1	<b>744 3119-06</b>	Filter	Filtre	1	2"
<b>13</b>	4	<b>471 8624-02</b>	Nipple	Raccord	3	2"
<b>14</b>	1	<b>471 8126-05</b>	Hose	Flexible	3	
<b>15</b>	1	<b>472 6837-01</b>	Pipe	Tube	3	2"
<b>16</b>	1	<b>471 8210-90</b>	Connector	Connexion	3	



**EX-200 HI-TEK,EX-200 -85/1190**

**Motor brake**

**Frein moteur**

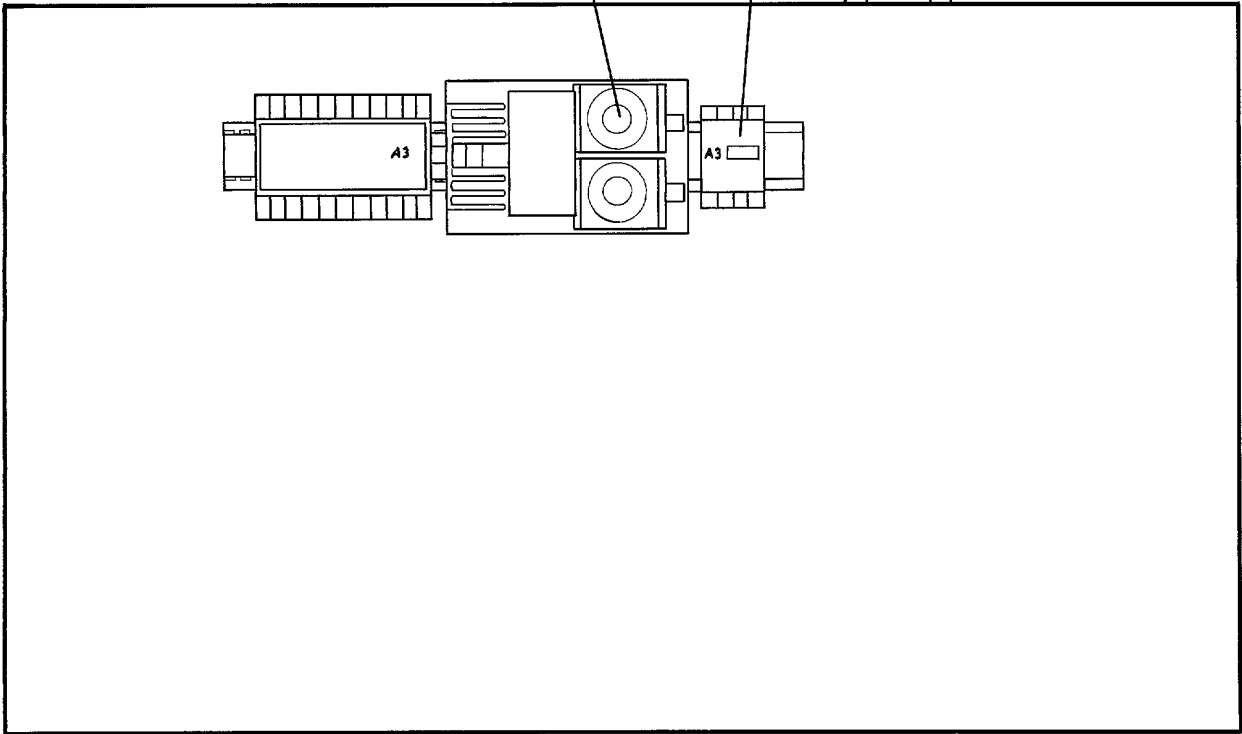
Illustration Issue Month Year  
Schéma Issue Month Year  
**100448 1 5 1988**

Item Article	Qua Qua	Art.No Réf. article	Description	Description	Info Info	Notes Remarques
<b>1</b>	1	<b>471 9750-01</b>	Brake unit	Organe de freinage	1	380/220V
	1	<b>471 9750-03</b>	Brake unit	Organe de freinage	1	415V
<b>2</b>	1	<b>472 9902-78</b>	Contacteur	Relais	1,2	50Hz
	1	<b>472 9902-77</b>	Contacteur	Relais	1,2	60Hz
<b>3</b>						Not used
<b>4</b>	2	<b>471 8751-02</b>			1,2	
<b>5</b>	2	<b>471 8751-52</b>	Insert	Insertion	3	50A
<b>6</b>	2	<b>471 8751-76</b>			1,2	
<b>7</b>	2	<b>471 8751-26</b>	Hood	Capot	3	63A
<b>8</b>	4	<b>729 5348-04</b>	Screw	Vis	3	RXS B8X25
<b>9</b>	4	<b>734 1136-01</b>	Washer	Rondelle	3	BRB 4,3X9

1

2,3

4



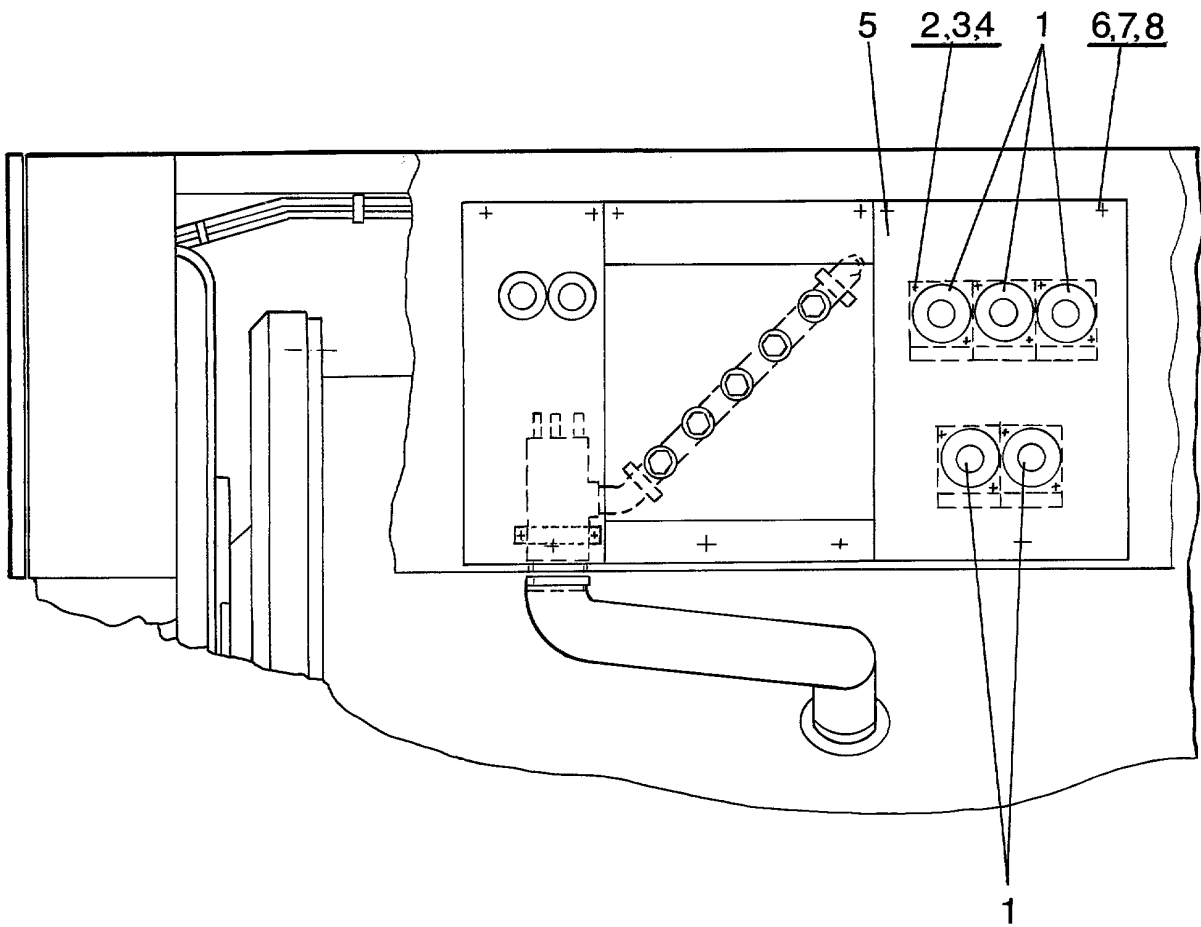
**EX-200 HI-TEK,EX-200 85/1191-**

**Motor brake**

**Frein moteur**

Illustration	Issue	Month	Year
Schéma	Issue	Month	Year
<b>100449</b>	<b>1</b>	<b>5</b>	<b>1988</b>

Item Article	Qua Qua	Art.No Réf. article	Description	Description	Info Info	Notes Remarques
<b>1</b>	1	<b>988 8013-01</b>	Motor brake	Frein moteur		208-415V
	1	<b>988 8013-03</b>	Motor brake	Frein moteur		420-500V
	1	<b>988 8013-08</b>	Motor brake	Frein moteur		208-415V,MP
	1	<b>988 8013-09</b>	Motor brake	Frein moteur		420-500V,MP
<b>2</b>	1	<b>471 9750-10</b>	Motor brake	Frein moteur	1	208-415V Complete
	2	<b>471 9750-11</b>	Motor brake	Frein moteur	1	420-500V Complete
<b>3</b>		<b>471 9750-98</b>	•Fuse	•Porte-fusible	1,2	
<b>4</b>	1	<b>471 9750-99</b>	•Contactor	•Relais	1,2	Not used



Issue	Month	Year
01	05	88

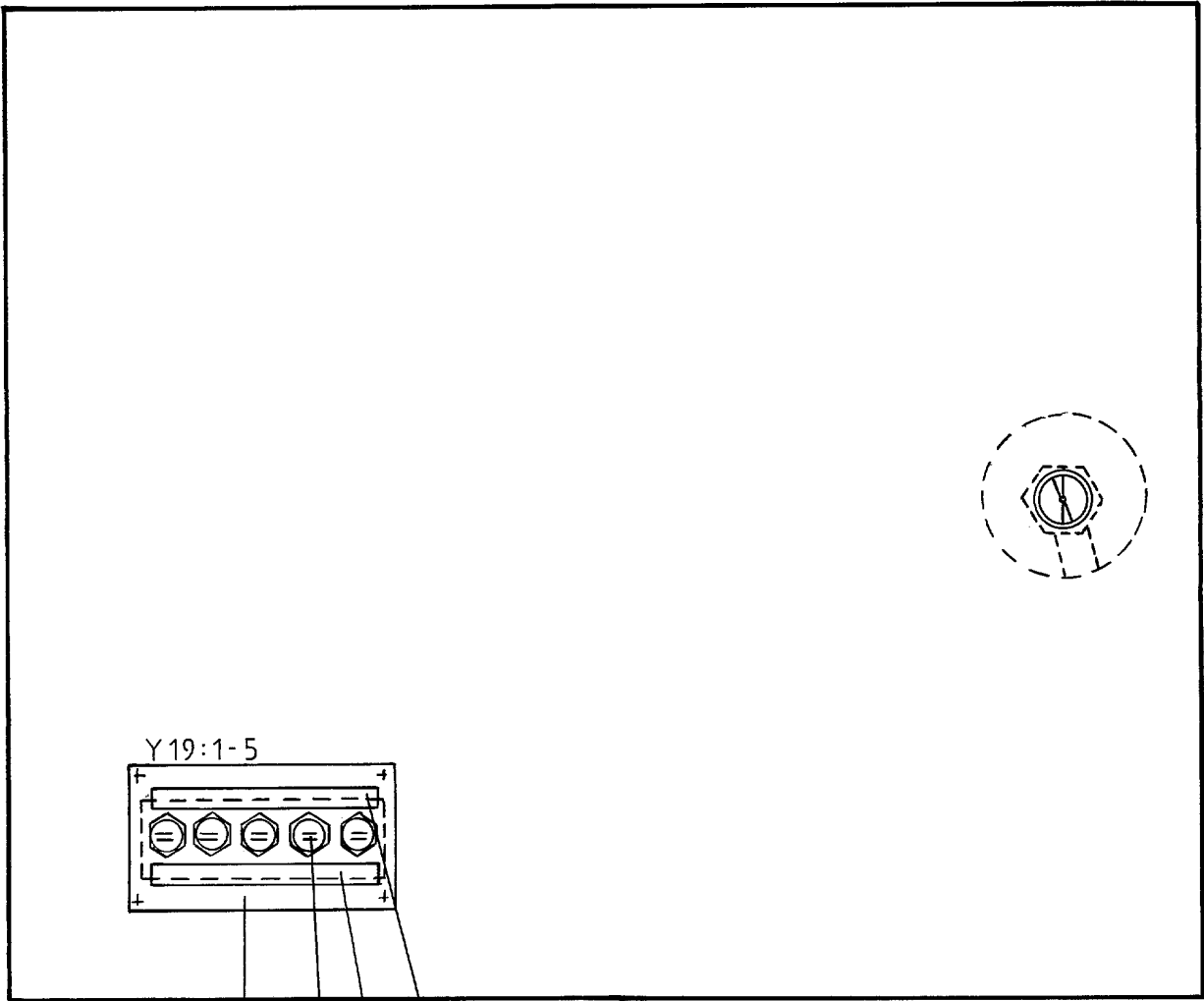
**EX-200 HI-TEK,EX-200 85/1191-**

**Time relay for detergent**

**Relais temporisé pour savon**

Illustration	Issue	Month	Year
Schéma	Issue	Month	Year
<b>100450</b>	<b>1</b>	<b>5</b>	<b>1988</b>

Item Article	Qua Qua	Art.No Réf. article	Description	Description	Info Info	Notes Remarques
<b>1</b>	5	<b>988 8010-03</b>	Time relay	Relais temporisé		COMPL.FOR DETERGENT
<b>2</b>	10	<b>471 9226-97</b>	Time relay	Relais temporisé	1,2	50/60Hz
<b>3</b>	20	<b>724 1226-01</b>	Screw	Vis	3	M3X12
<b>4</b>	10	<b>734 1124-01</b>	Washer	Rondelle	3	BRB 3X7
<b>5</b>	1	<b>732 2110-01</b>	Locking nut	Contre-écrou	3	M3
<b>6</b>	3	<b>472 6840-02</b>	Cover plate	Plaque recouvrement	3	
<b>7</b>	6	<b>725 2364-51</b>	Screw	Vis	3	M6X10
<b>8</b>	3	<b>734 1153-01</b>	Washer	Rondelle	3	BRB 6,4X12
		<b>732 2116-01</b>	Locking nut	Contre-écrou	3	M6



4 1 3 2



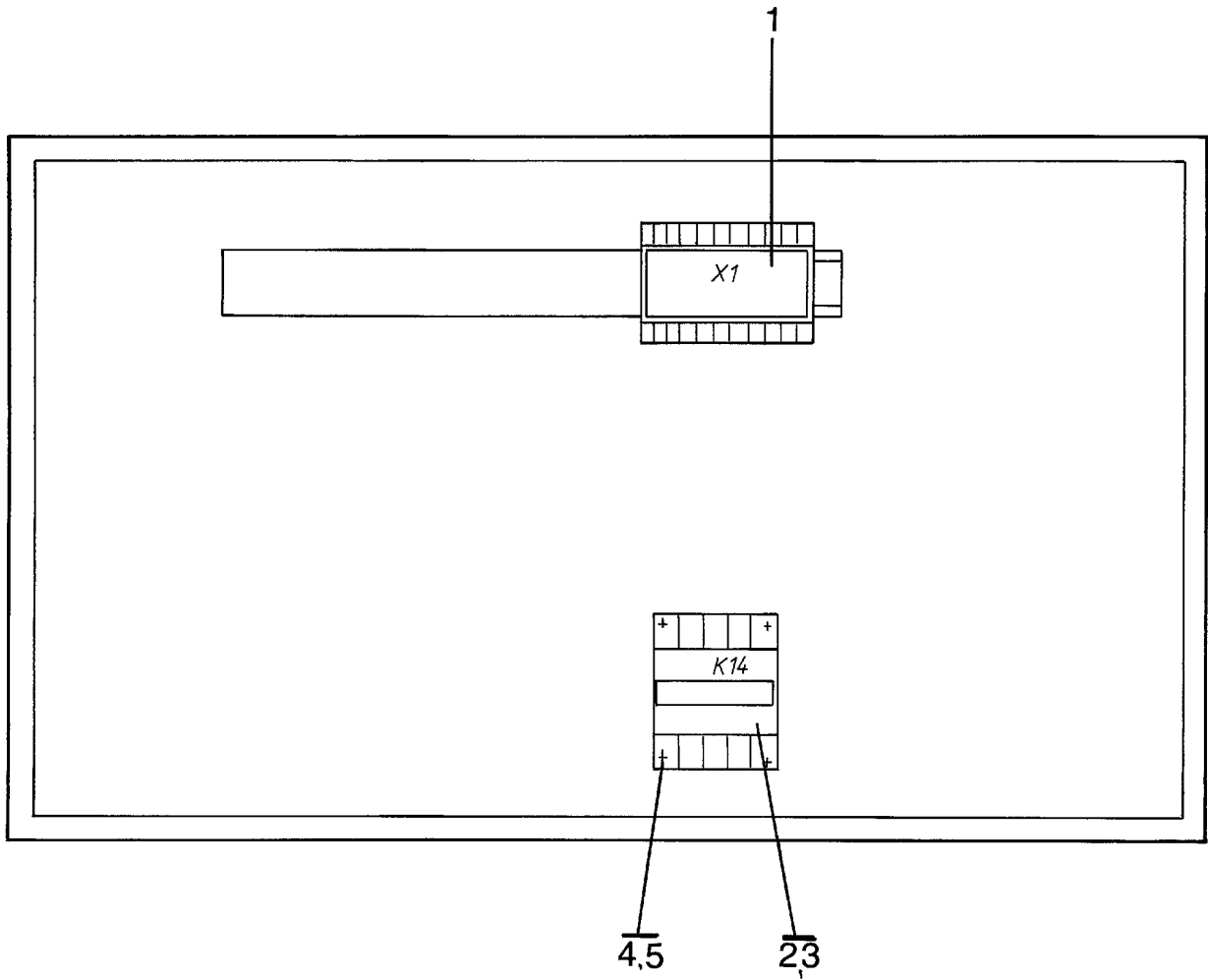
**EX-200,EX-200 HI-TEK**

**Switches**

**Groupe de boutons**

Illustration	Issue	Month	Year
Schéma	Issue	Month	Year
<b>100451</b>	<b>2</b>	<b>9</b>	<b>1989</b>

Item Article	Qua Qua	Art.No Réf. article	Description	Description	Info Info	Notes Remarques
<b>1</b>	5	<b>988 8010-04</b>	Button pad	Groupe de boutons		Complete
<b>2</b>	1	<b>471 9037-49</b>	Switch	Commutateur	1,2	
<b>3</b>	1	<b>471 4353-01</b>	Sign	Signe	3	
<b>3</b>	1	<b>471 4353-02</b>	Sign	Signe	3	
<b>4</b>	1	<b>472 6853-02</b>	Cover plate	Plaque recouvrement	3	Brown -87/1332
	1	<b>472 6853-03</b>	Cover plate	Plaque recouvrement	3	Black 87/1333-
	1	<b>472 6853-04</b>	Cover plate	Plaque recouvrement	3	Black 87/1333-



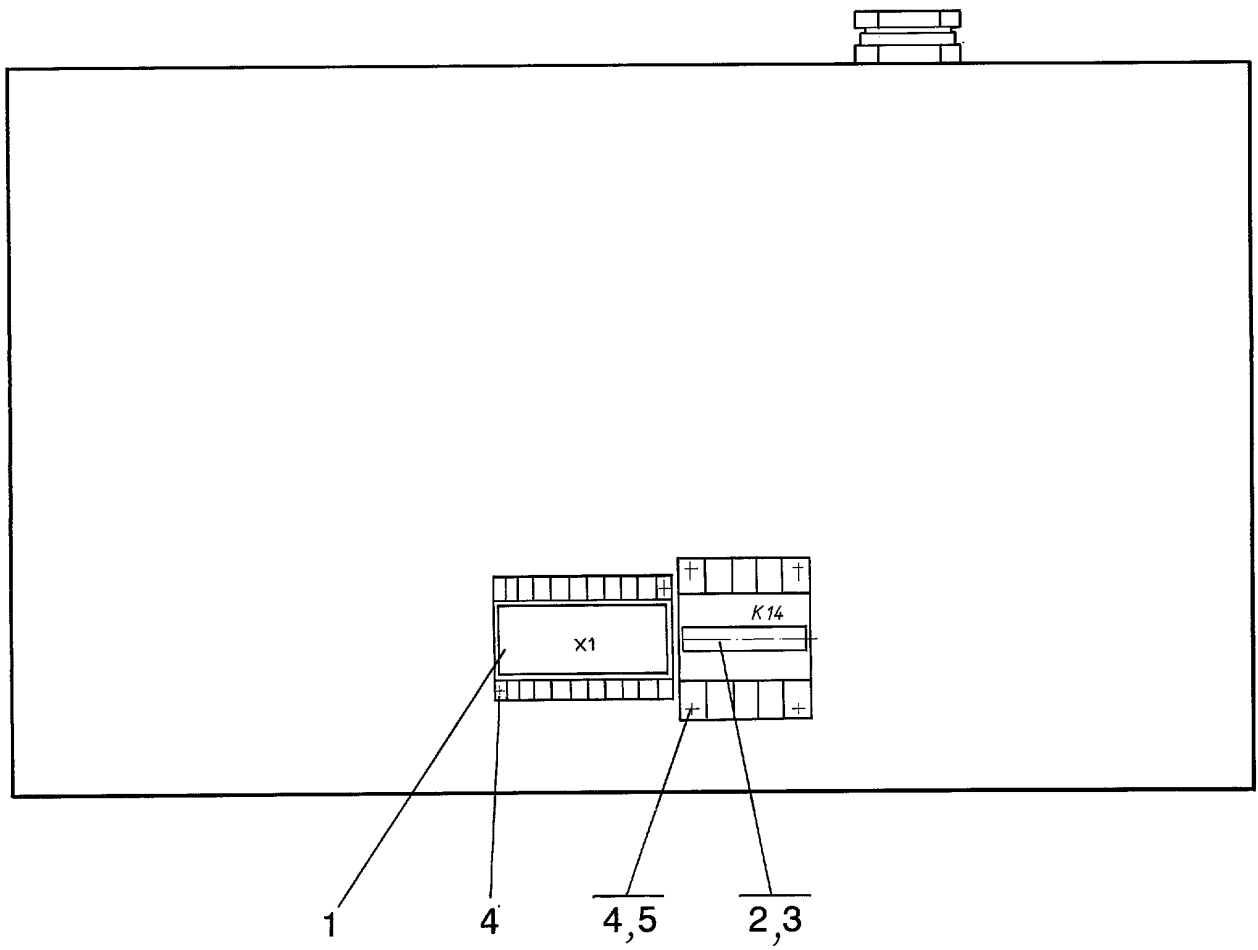
**EX-200,EX-200 HI-TEK**

**Voltage control**

**Réglage de la tension**

Illustration Issue Month Year  
Schéma Issue Month Year  
**100452 1 5 1988**

Item Article	Qua Qua	Art.No Réf. article	Description	Description	Info Info	Notes Remarques
<b>1</b>	1	<b>471 9581-02</b>	Voltage control	Réglage de la tension	1,2	220V
	1	<b>471 9581-01</b>	Voltage control	Réglage de la tension	1,2	380V
	1	<b>471 9581-03</b>	Voltage control	Réglage de la tension	1,2	415V
<b>2</b>	1	<b>472 9902-78</b>	Contactor	Relais	1,2	50Hz
	1	<b>472 9902-77</b>	Contactor	Relais	1,2	60Hz
<b>3</b>						Not used
<b>4</b>	4	<b>729 5348-01</b>	Screw	Vis	3	RXS B8X25
<b>5</b>	4	<b>734 1146-01</b>	Washer	Rondelle	3	BRB 5,3X10



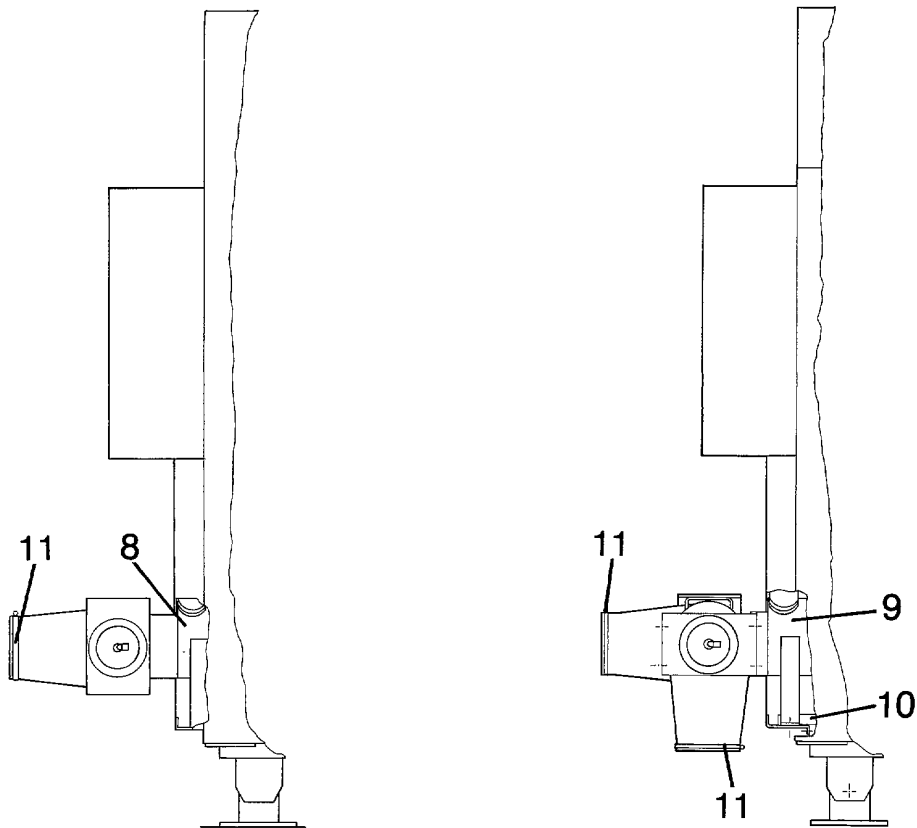
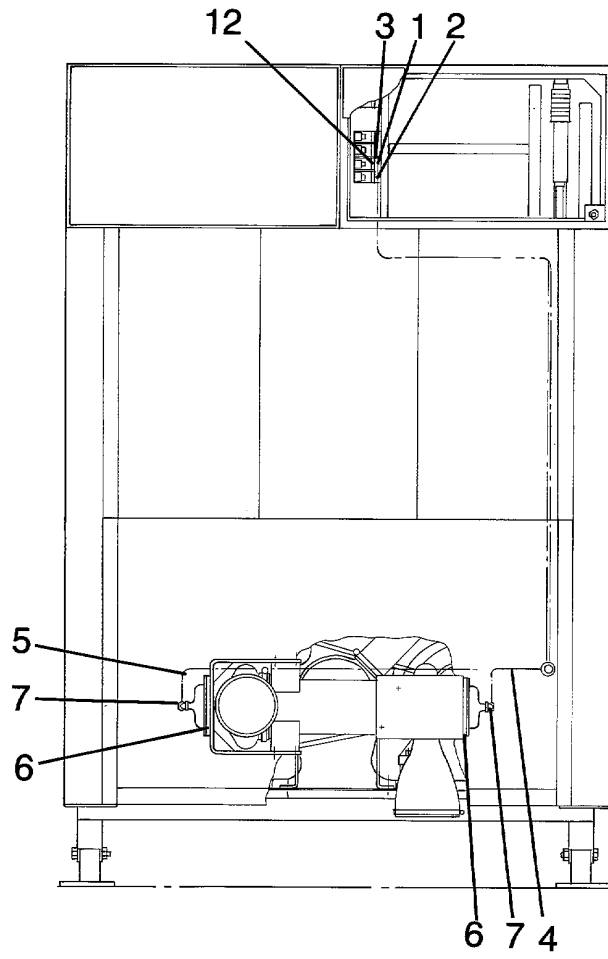
**EX-200,EX-200 HI-TEK**

**Voltage control**

**Réglage de la tension**

Illustration Issue Month Year  
Schéma Issue Month Year  
**100453 2 10 1990**

Item Article	Qua Qua	Art.No Réf. article	Description	Description	Info Info	Notes Remarques
<b>1</b>	1	<b>988 8016-01</b>	Voltage control	Réglage de la tension		380V 50Hz Complete
	1	<b>988 8016-02</b>	Voltage control	Réglage de la tension		220V 50Hz Complete
	1	<b>988 8016-03</b>	Voltage control	Réglage de la tension		220V 60Hz Complete
	1	<b>988 8016-04</b>	Voltage control	Réglage de la tension		415V 50Hz Complete
	1	<b>988 8016-09</b>	Voltage control	Réglage de la tension		208V 60Hz Complete
	1	<b>988 8016-10</b>	Voltage control	Réglage de la tension		240V 60Hz Complete
	1	<b>988 8016-11</b>	Voltage control	Réglage de la tension		440V 60Hz Complete
	1	<b>471 9581-02</b>	•Voltage control	•Réglage de la tension	1,2	220V
	1	<b>471 9581-01</b>	•Voltage control	•Réglage de la tension	1,2	380V
	1	<b>471 9581-03</b>	•Voltage control	•Réglage de la tension	1,2	415V
	1	<b>471 9581-04</b>	•Voltage control	•Réglage de la tension	1,2	208V
<b>2</b>	1	<b>471 9581-05</b>	•Voltage control	•Réglage de la tension	1,2	240V
	1	<b>471 9581-06</b>	•Voltage control	•Réglage de la tension	1,2	440V
<b>3</b>	1	<b>472 9902-78</b>	•Contactor	•Relais	1,2	50Hz
	1	<b>472 9902-77</b>	•Contactor	•Relais	1,2	60Hz
<b>4</b>	6	<b>729 5348-01</b>	•Screw	•Vis	3	Not used RXS B8X25
<b>5</b>	4	<b>734 1146-01</b>	•Washer	•Rondelle	3	BRB 5,3X10



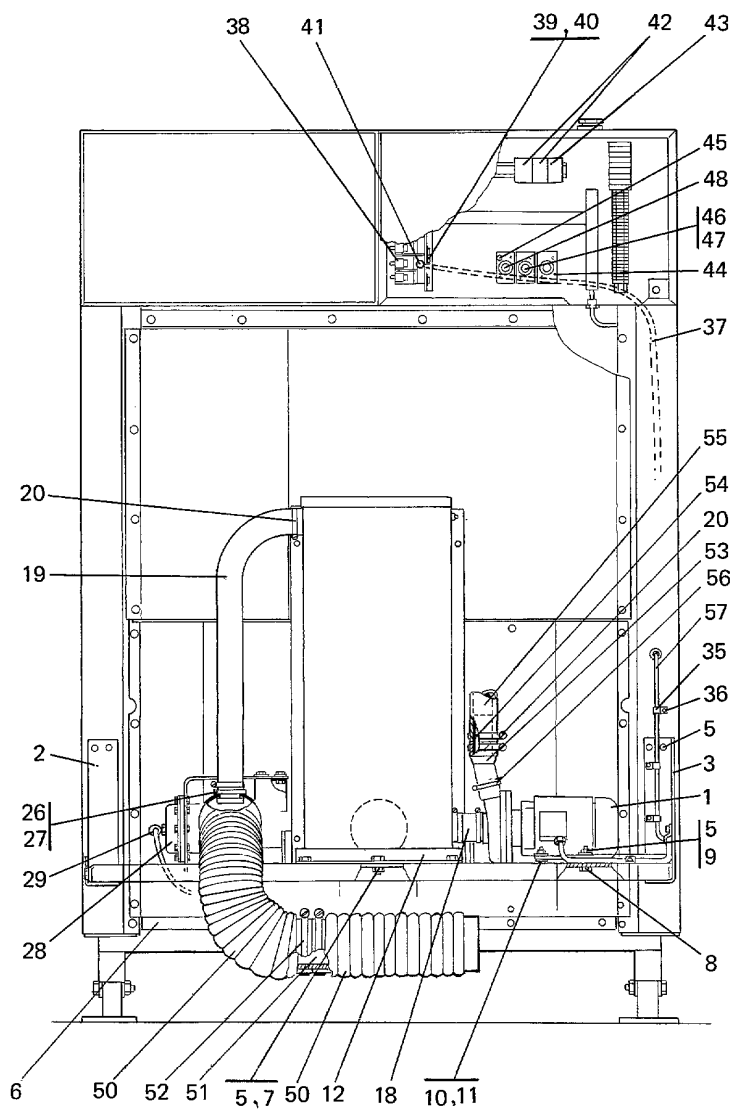
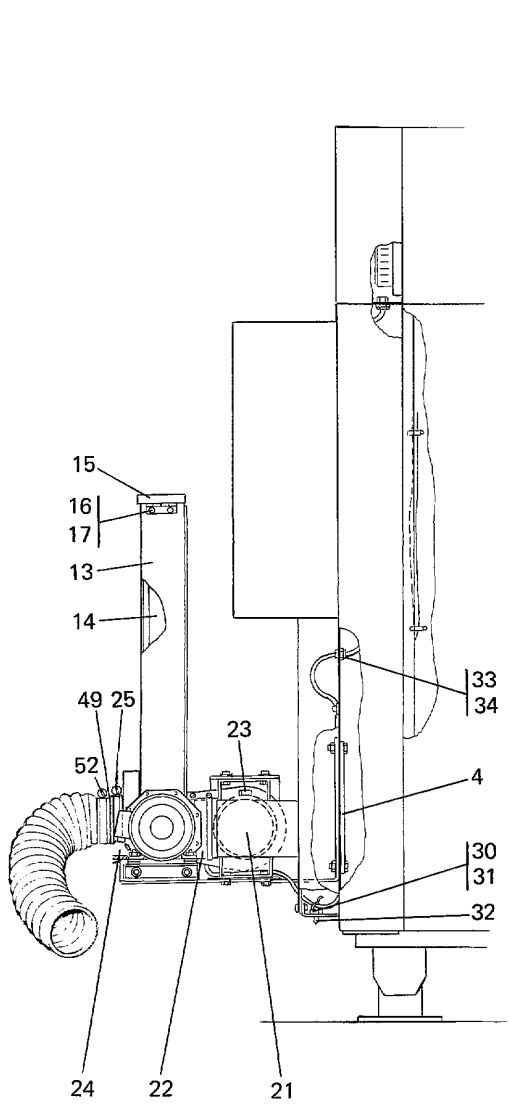
**EX-200,EX-200 HI-TEK**

**Water and heat recovery**

**Récupération chauffage et eau**

Illustration Issue Month Year  
Schéma Issue Month Year  
**100454 1 5 1988**

Item Article	Qua Qua	Art.No Réf. article	Description	Description	Info Info	Notes Remarques
		<b>988 8012-01</b>	Recovery	Récupération		220V 50Hz COMPL 2OUTLETBACKWARD
		<b>988 8012-02</b>	Recovery	Récupération		220V 60Hz COMPL 2OUTLETBACKWARD
		<b>988 8012-03</b>	Recovery	Récupération		220V 50Hz COMPL 1OUTLETBACKWARD 1 OUTLET DOWNWARD
		<b>988 8012-04</b>	Recovery	Récupération		220V 60Hz COMPL 1OUTLETBACKWARD 1 OUTLET DOWNWARD
		<b>988 8012-11</b>	Recovery	Récupération		220V 50Hz COMPL.MP 2 OUTLETS BACKWARD
		<b>988 8012-17</b>	Recovery	Récupération		220V 60Hz COMPL.MP 2 OUTLETS BACKWARD
		<b>988 8012-13</b>	Recovery	Récupération		220V 50Hz COMPL.MP 1 OUTLET BACKWARD, DOWNWARD
		<b>988 8012-14</b>	Recovery	Récupération		220V 60Hz COMPL.MP 1 OUTLET BACKWARD, DOWNWARD
<b>1</b>	1	<b>471 9043-04</b>	Solenoid valve	Électrovanne	1,2	50Hz
	1	<b>471 9067-46</b>	Solenoid valve	Électrovanne	1,2	60Hz
<b>2</b>	2	<b>724 1327-01</b>	Screw	Vis	3	M5X12
<b>3</b>	1	<b>471 8626-03</b>	Nipple	Raccord	3	
<b>4</b>	1	<b>471 4647-80</b>	Hose	Flexible	3	
<b>5</b>	1	<b>471 2464-58</b>	Hose	Flexible	3	
<b>6</b>	2	<b>471 4107-90</b>	Drain valve	Purgeur	1,2	See illustr. 100246, 100441
<b>7</b>	2	<b>471 9062-93</b>	Angle connector	Raccord d'angle	3	
<b>8</b>	1	<b>472 6983-01</b>	Drain	Écoulement	3	2-way
<b>9</b>	1	<b>472 6983-02</b>	Drain	Écoulement	3	2-way
<b>10</b>	2	<b>472 6857-01</b>	Support	Support	3	
<b>11</b>	2	<b>471 9219-86</b>	Hose clamp	Attache flexible	3	
<b>12</b>	2	<b>471 9062-94</b>	Connection	Embrayage	3	85/1191-



100483

Issue	Month	Year
01	05	88



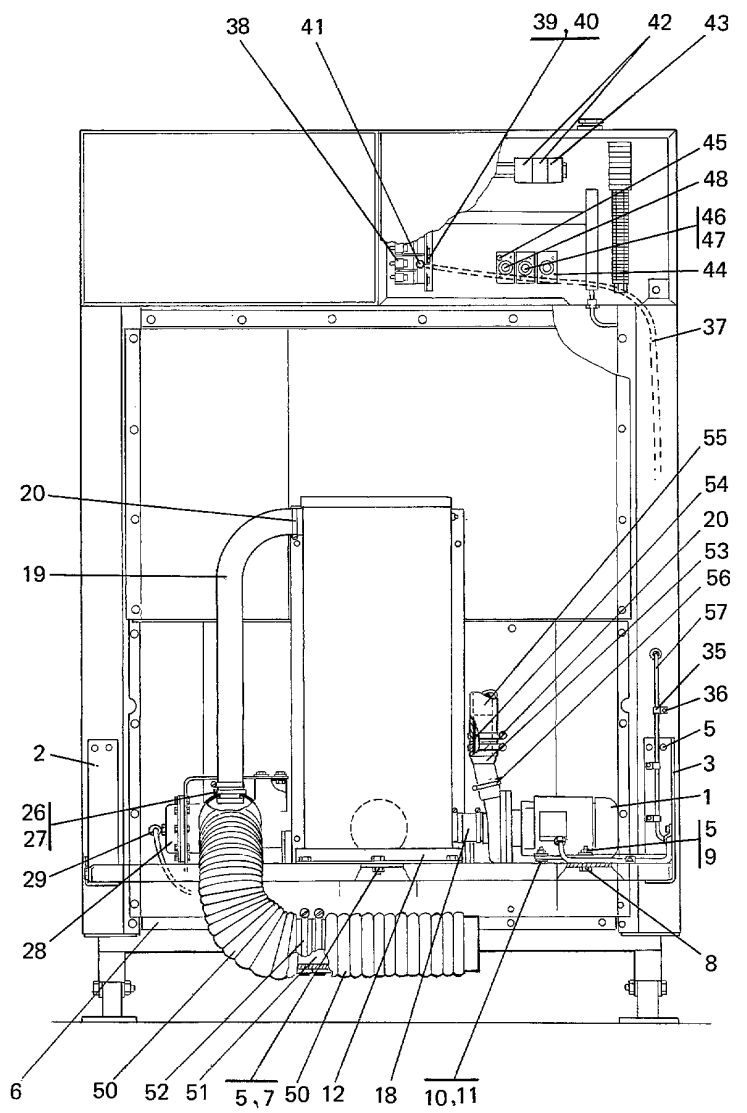
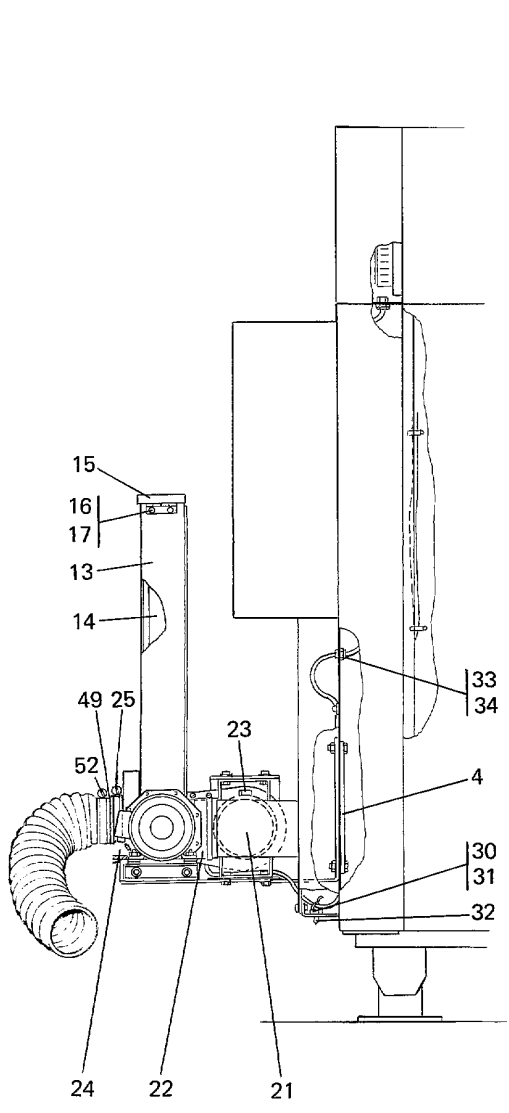
**EX-200,EX-200 HI-TEK**

**Water recovery with pump**

**Récupération eau avec pompe**

Illustration Issue Month Year  
Schéma Issue Month Year  
**100483 3 5 1998**

Item Article	Qua Qua	Art.No Réf. article	Description	Description	Info Info	Notes Remarques
		<b>988 8012-09</b>	Recovery	Récupération		380/220V 50Hz Complete 1 OUTLET WITH PUMP,VALVE
<b>1</b>	1	<b>471 8265-09</b>	Pump	Pompe	1,2	
<b>2</b>	1	<b>471 9096-01</b>	Bracket	Pupitre	3	
<b>3</b>	1	<b>471 9096-02</b>	Bracket	Pupitre	3	
<b>4</b>	4	<b>471 2418-42</b>	Bracket	Support de montage	3	
<b>5</b>	19	<b>732 2118-01</b>	Locking nut	Contre-écrou	3	M8
<b>6</b>	1	<b>472 9097-02</b>	Beam	Poutre	3	
<b>7</b>	11	<b>725 2453-51</b>	Screw	Vis	3	M8X25
<b>8</b>	4	<b>725 2459-51</b>	Screw	Vis	3	M8X40
<b>9</b>	4	<b>734 1164-01</b>	Washer	Rondelle	3	8,4X17
<b>10</b>	4	<b>471 9073-59</b>	Washer	Rondelle	3	TBR SB 13X36
<b>11</b>	8	<b>471 9019-34</b>	Washer	Rondelle	3	TBR SB 8,4X26
<b>12</b>	1	<b>472 9099-01</b>	Bracket	Support de montage	3	
<b>13</b>	1	<b>472 9093-01</b>	Strainer housing	Logement du filtre	3	
<b>14</b>	1	<b>471 4374-01</b>	Strainer	Filtre	1,2	
<b>15</b>	1	<b>471 4375-01</b>	Cover	Couvercle	3	
<b>16</b>	2	<b>724 1289-42</b>	Screw	Vis	3	M4X10
<b>17</b>	2	<b>731 2312-42</b>	Nut	Écrou	3	M4
<b>18</b>	1	<b>471 8128-41</b>	Hose	Flexible	1,2	L=90, 1 1/2"
<b>19</b>	1	<b>471 4387-01</b>	Hose	Flexible	1,2	
<b>20</b>	6	<b>736 2840-51</b>	Hose clamp	Attache flexible	3	Ø50-63
<b>21</b>	1	<b>472 6983-03</b>	Drain	Écoulement	3	
<b>22</b>	1	<b>472 9070-01</b>	Hose	Flexible	1,2	
<b>23</b>	3	<b>736 2855-51</b>	Hose clamp	Attache flexible	3	Ø138
<b>24</b>	1	<b>471 2683-01</b>	Pipe	Tube	3	
<b>25</b>	2	<b>471 9219-86</b>	Hose clamp	Attache flexible	3	
<b>26</b>	1	<b>438 4101-01</b>	Nipple	Raccord	3	
<b>27</b>	1	<b>438 4100-01</b>	Nut	Écrou	3	
<b>28</b>	1	<b>471 2417-20</b>	Drain valve, complete	Soupape de vidange, complet	1,2	
<b>29</b>	1	<b>471 8690-22</b>	Angle connector	Raccord d'angle	3	
<b>30</b>	6	<b>471 9004-75</b>	Bracket	Support de montage	3	
<b>31</b>	6	<b>762 9105-05</b>	Cable strap	Serre-câble	3	
<b>32</b>	2	<b>729 5340-01</b>	Screw	Vis	3	RXS B8X9,5
<b>33</b>	2	<b>471 8753-20</b>	Screw fitting	Vis de raccord	3	
<b>34</b>	2	<b>732 9809-13</b>	Nut	Écrou	3	
<b>35</b>	6	<b>762 9163-60</b>	Clamp	Attache	3	
<b>36</b>	6	<b>724 1289-01</b>	Screw	Vis	3	M4X10
<b>37</b>	RQ	<b>471 2464-58</b>	Hose	Flexible	1,2	
<b>38</b>	1	<b>471 9043-04</b>	Solenoid valve	Électrovanne	1,2	50Hz
<b>39</b>	4	<b>724 1327-01</b>	Screw	Vis	3	M5X12
<b>40</b>	4	<b>734 1808-51</b>	Washer	Rondelle	3	NB 5X16
<b>41</b>	1	<b>471 9062-94</b>	Connection	Embrayage	3	
<b>42</b>	2	<b>767 5122-00</b>	Contacteur	Relais	1,2	50Hz
<b>43</b>	1	<b>471 9226-97</b>	Time relay	Relais temporisé	1,2	50/60Hz
<b>44</b>	3	<b>471 8751-01</b>			3	
<b>45</b>	6	<b>724 1293-01</b>	Screw	Vis	3	M4X16
<b>46</b>	3	<b>471 0751-77</b>	Fuse	Porte-fusible	1,2	6A
<b>47</b>	3	<b>471 8751-51</b>			3	
<b>48</b>	3	<b>471 8751-25</b>	Hood	Capot	3	25A
<b>49</b>	1	<b>472 9205-02</b>	Joint pipe	Tuyau de connexion	3	
<b>50</b>	2	<b>472 6373-01</b>	Hose	Flexible	1	
<b>51</b>	1	<b>472 9207-02</b>	Pipe	Tube	3	
<b>52</b>	3	<b>736 2855-51</b>	Hose clamp	Attache flexible	3	Ø138
<b>53</b>	1	<b>472 9204-01</b>	Hose	Flexible	1	
<b>54</b>	1	<b>471 4013-01</b>	Pipe	Tube	3	
<b>55</b>	1	<b>471 8109-01</b>	Hose	Flexible	1	
<b>56</b>	1	<b>736 2837-51</b>	Hose clamp	Attache flexible	3	Ø48-54



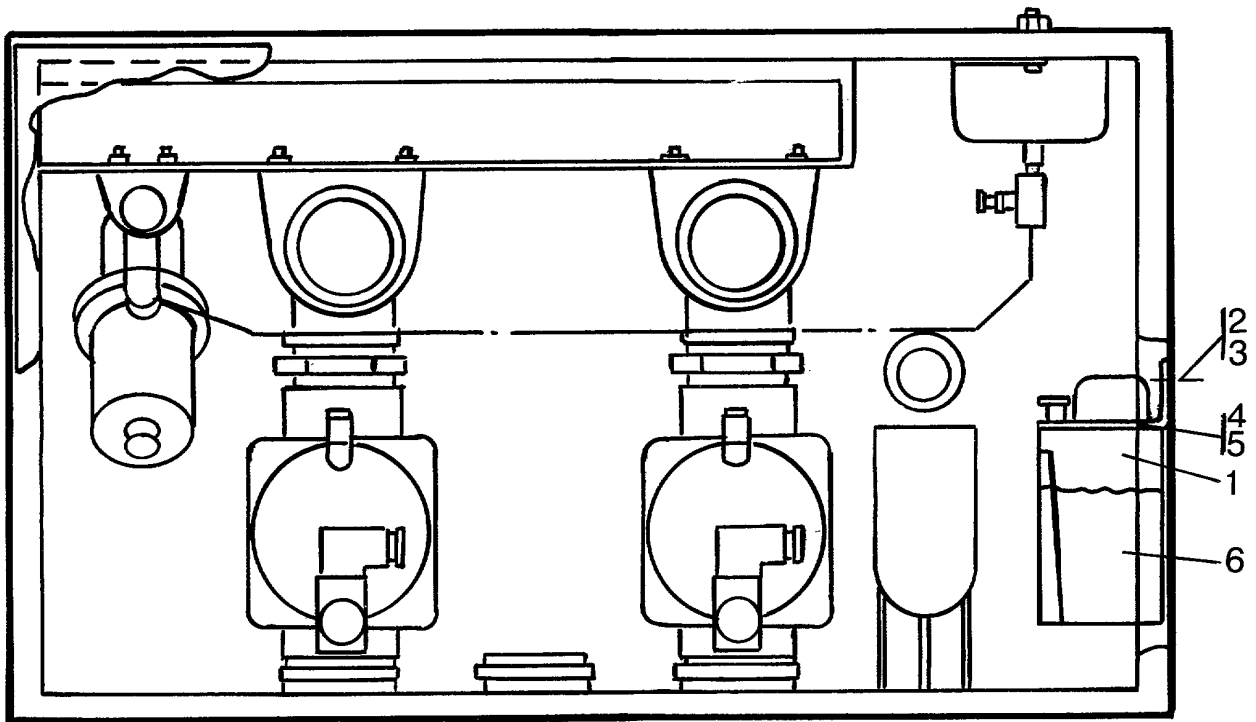
**EX-200,EX-200 HI-TEK**

**Water recovery with pump**

**Récupération eau avec pompe**

Illustration	Issue	Month	Year
Schéma	Issue	Month	Year
<b>100483</b>	<b>3</b>	<b>5</b>	<b>1998</b>

Item Article	Qua Qua	Art.No Réf. article	Description	Description	Info Info	Notes Remarques
<b>57</b>	1	<b>471 7260-02</b>	Cable	Câble	3	



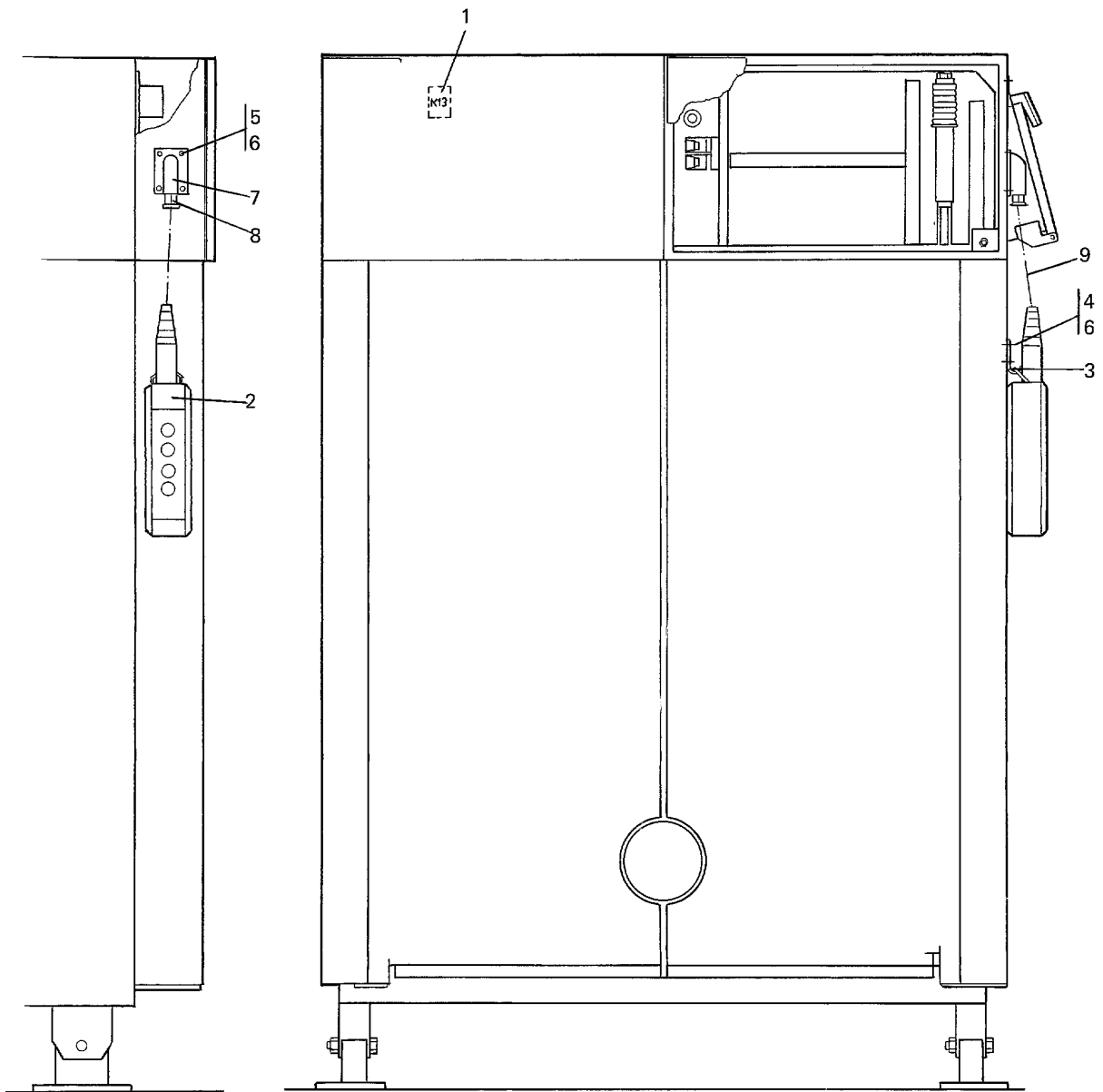
**EX-200 HI-TEK,EX-200 83/1061-**

**Lubrication, v-ring**

**Lubrication, joint trapézoïdal**

Illustration Issue Month Year  
Schéma Issue Month Year  
**100455 3 4 1993**

Item Article	Qua Qua	Art.No Réf. article	Description	Description	Info Info	Notes Remarques
<b>1</b>	1	<b>988 8014-01</b>	V-ring	Anneau en forme de V		STD
	1	<b>988 8014-03</b>	V-ring	Anneau en forme de V		MP
	1	<b>471 8260-01</b>	Pump	Pompe	1	50Hz
	1	<b>471 8260-02</b>	Pump	Pompe	1	60Hz
	1	<b>471 6870-11</b>	•Level control	•Réglage de niveau	1,2	
	1	<b>471 8260-56</b>	•Container	•Conteneur	1	
<b>2</b>	2	<b>725 2370-51</b>	Screw	Vis	3	M6X20
<b>3</b>	2	<b>731 2316-01</b>	Nut	Écrou	3	M6
<b>4</b>	1	<b>471 8260-91</b>	Cone	Cône		
<b>5</b>	1	<b>471 8260-90</b>	Bushing	Douille	3	
<b>6</b>	RQ	<b>874 6611-00</b>	Oil	Huile	3	



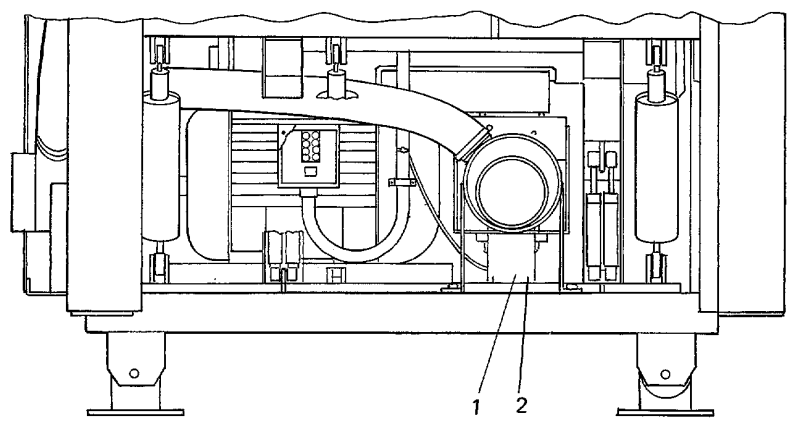
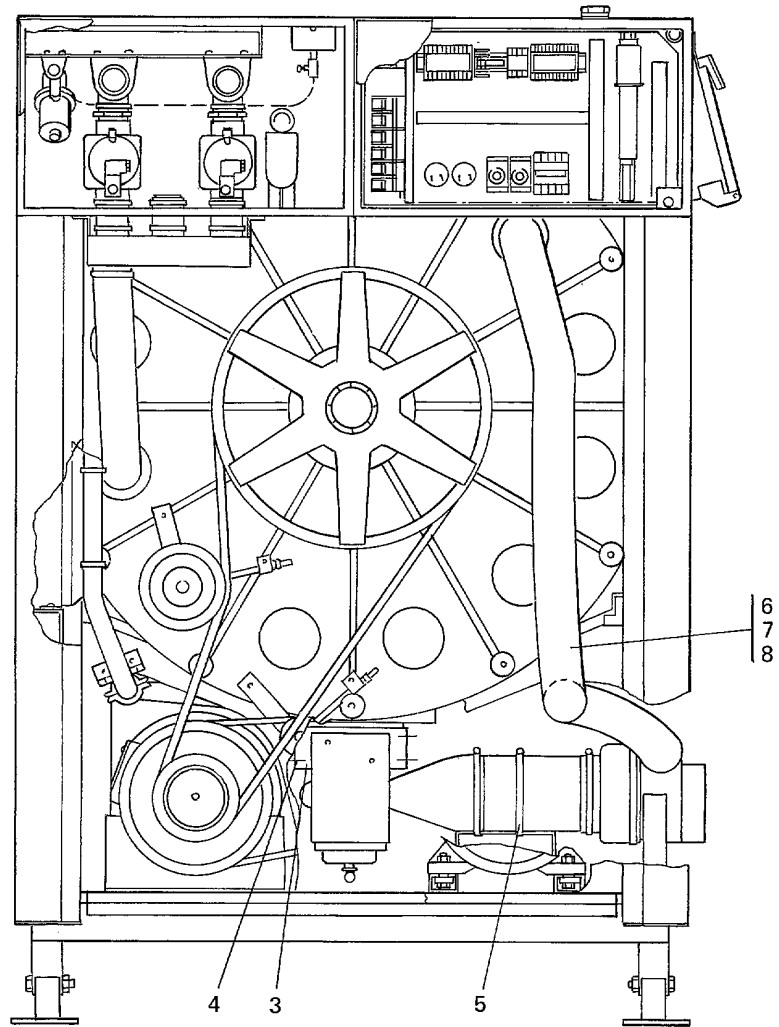
**EX-200 HI-TEK,EX-200 83/1061-**

**Drum rotation with open door**

**Rotation du tambour avec plaque ouverte**

Illustration	Issue	Month	Year
Schéma	Issue	Month	Year
<b>100484</b>	<b>1</b>	<b>5</b>	<b>1988</b>

Item Article	Qua Qua	Art.No Réf. article	Description	Description	Info Info	Notes Remarques
		<b>988 8011-05</b>	Door	Plaque		220V 50Hz Complete
		<b>988 8011-06</b>	Door	Plaque		220V 60Hz Complete
<b>1</b>	<b>1</b>	<b>767 5131-00</b>	Contactactor	Relais	1,2	50Hz
		<b>767 5132-00</b>	Contactactor 60Hz	Relais,60Hz	1,2	60Hz
<b>2</b>	<b>1</b>	<b>471 8721-01</b>	Control for tilting	Bouton-poussoir	1,2	
<b>3</b>	<b>1</b>	<b>472 6855-01</b>	Hook	Crochet	3	
<b>4</b>	<b>2</b>	<b>724 1368-42</b>	Screw	Vis	3	M6X16
<b>5</b>	<b>2</b>	<b>725 2370-42</b>	Screw	Vis	3	M6X20
<b>6</b>	<b>6</b>	<b>731 2316-01</b>	Nut	Écrou	3	M6
<b>7</b>	<b>1</b>	<b>472 6852-04</b>	Cover	Couvercle	3	Black
<b>8</b>	<b>1</b>	<b>762 2111-05</b>	Sleeve	Manchon	3	
<b>9</b>	<b>1</b>	<b>471 7253-01</b>	Cable	Câble	1,2	





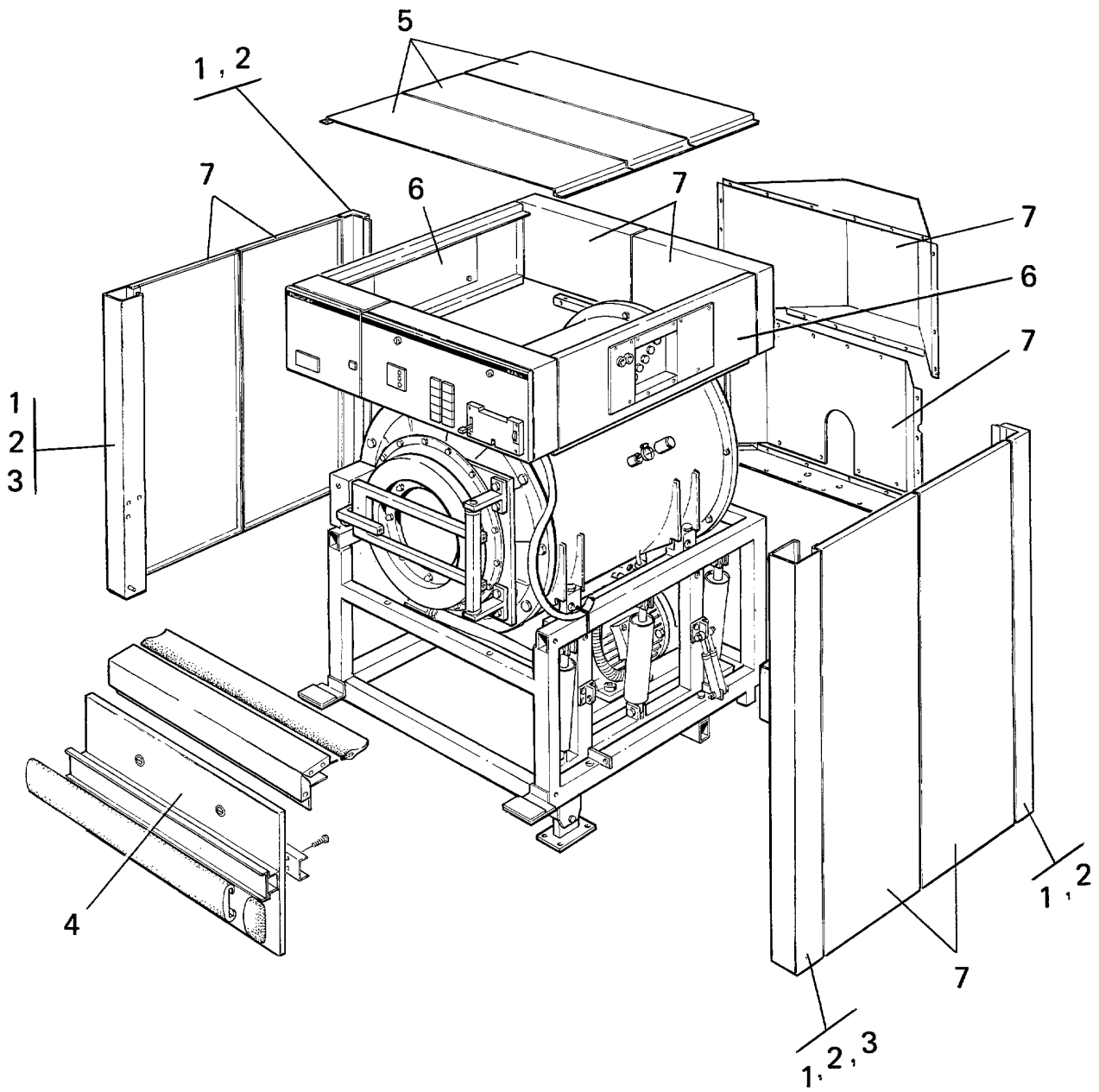
**EX-200,EX-200 HI-TEK**

**Side outlet**

**Déversoir latéral**

Illustration Issue Month Year  
Schéma Issue Month Year  
**100485 1 5 1988**

Item Article	Qua Qua	Art.No Réf. article	Description	Description	Info Info	Notes Remarques
		<b>988 8010-06</b>	Drain	Écoulement		220V 50/60Hz OUTLET ON THE LEFT SIDE
<b>1</b>	1	<b>472 7964-01</b>	Bracket	Pièce de retenue	3	
<b>2</b>	4	<b>725 2364-61</b>	Screw	Vis	3	M6SF 6X10
<b>3</b>	1	<b>472 7965-01</b>	Adapter	Adaptateur	3	
<b>4</b>	4	<b>725 2455-51</b>	Screw	Vis	3	M8X30
<b>5</b>	1	<b>471 9219-86</b>	Hose clamp	Attache flexible	3	
<b>6</b>	1	<b>471 4005-90</b>	Hose	Flexible	1,2	
<b>7</b>	1	<b>471 2417-38</b>	Pipe	Tube	3	
<b>8</b>	4	<b>736 2849-51</b>	Hose clamp	Attache flexible	3	Ø77-93



**EX-200,EX-200 HI-TEK**

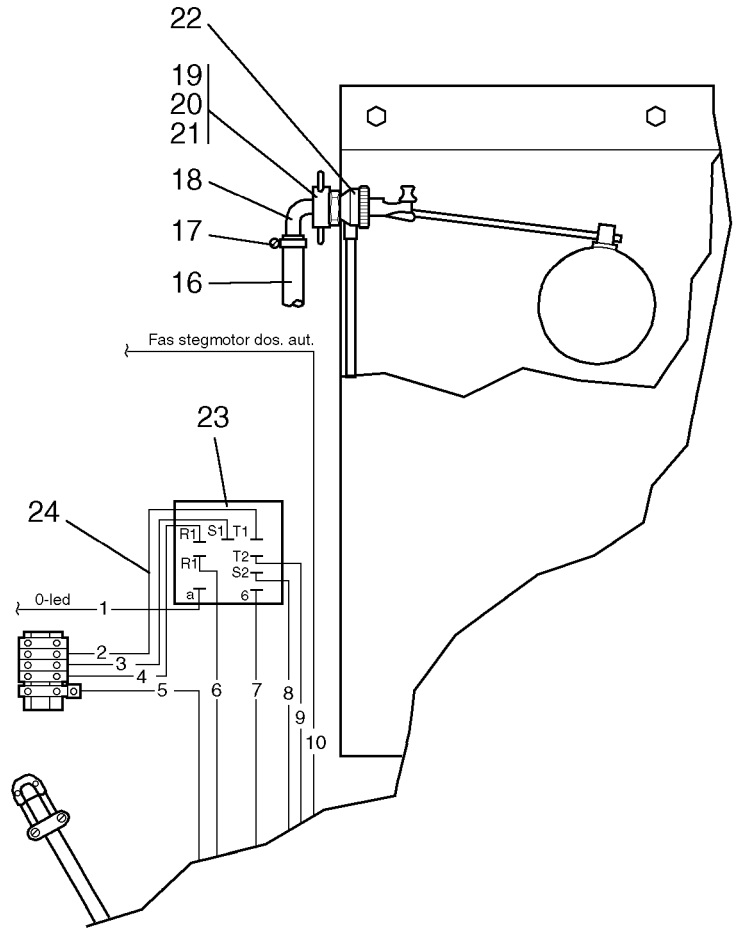
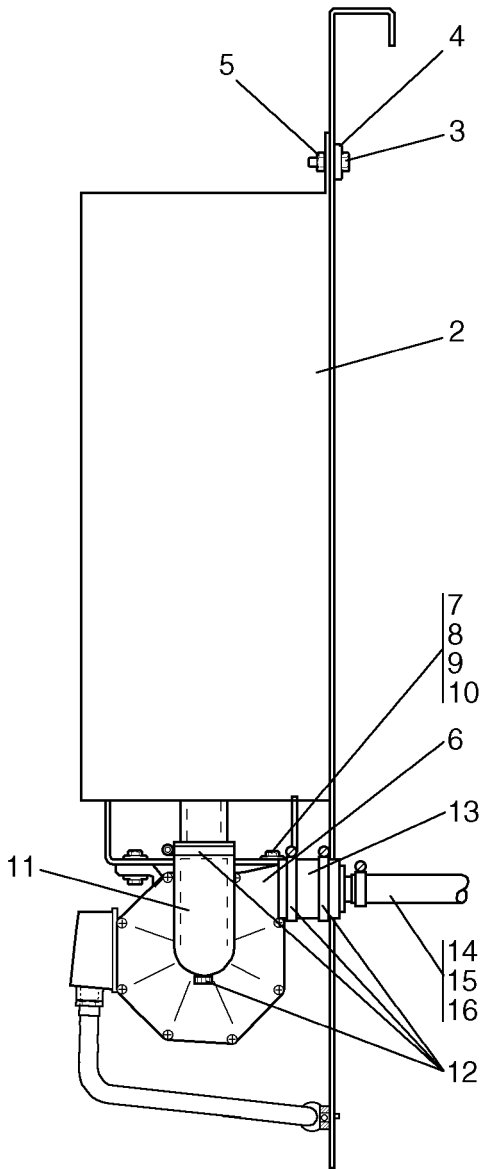
**Sound and heat insulating**

**Isolation sonore et thermique**

Illustration	Issue	Month	Year
Schéma	Issue	Month	Year
<b>100486</b>	<b>2</b>	<b>2</b>	<b>1992</b>

Item Article	Qua Qua	Art.No Réf. article	Description	Description	Info Info	Notes Remarques
		<b>988 8015-01</b>	Insulation	Isolation		
<b>1</b>	4	<b>472 6385-01</b>	Shock absorber mat	Tapis amortisseur chocs	3	L=1450 B=90
<b>2</b>	4	<b>472 6385-02</b>	Shock absorber mat	Tapis amortisseur chocs	3	L=1450 B=120
<b>3</b>	2	<b>472 6385-03</b>	Shock absorber mat	Tapis amortisseur chocs	3	L=1450 B=140
<b>4</b>	1	<b>472 6385-04</b>	Shock absorber mat	Tapis amortisseur chocs	3	L=1080 B=490
<b>5</b>	3	<b>472 6385-05</b>	Shock absorber mat	Tapis amortisseur chocs	3	L=1200 B=395
<b>6</b>	2	<b>472 6385-06</b>	Shock absorber mat	Tapis amortisseur chocs	3	L=1200 B=405
<b>7</b>	6	<b>472 6385-07</b>	Shock absorber mat	Tapis amortisseur chocs	3	L=1400 B=590

1



**EX-200,EX-200 HI-TEK**

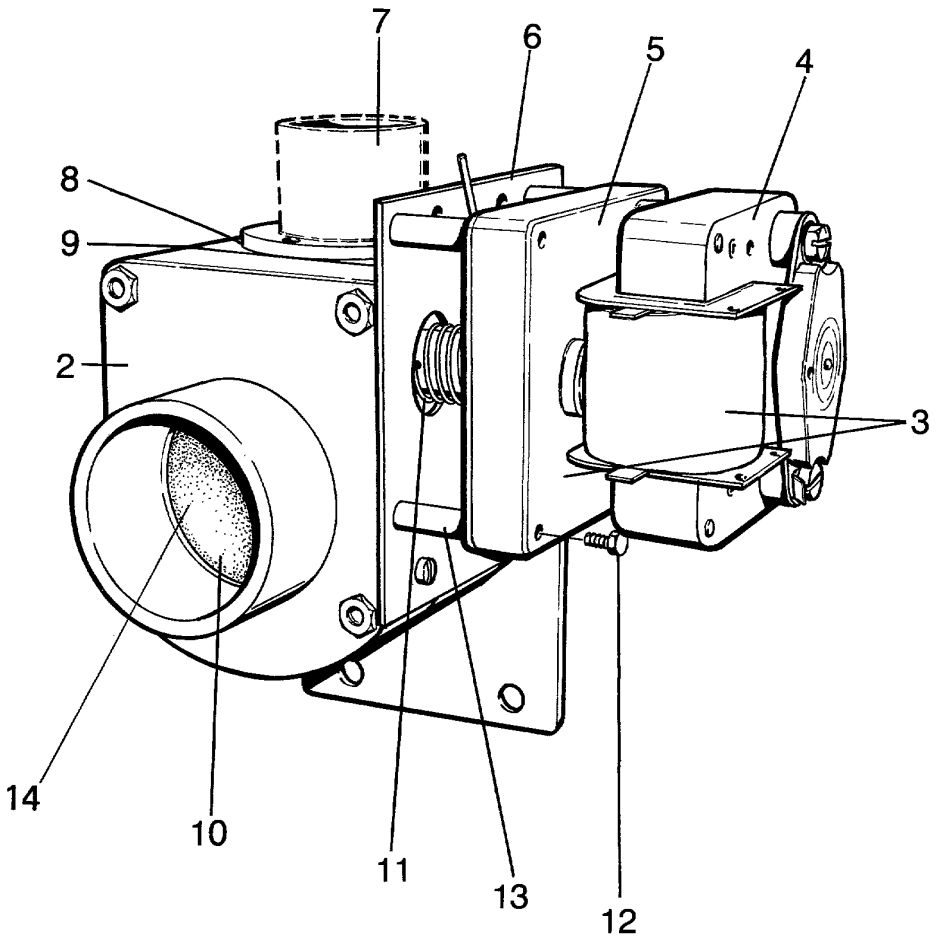
**Pressure amplifier**

**Pompe refulante auxiliaire**

Illustration Issue Month Year  
Schéma Issue Month Year  
**100363 5 2 1993**

Item Article	Qua Qua	Art.No Réf. article	Description	Description	Info Info	Notes Remarques
<b>1</b>	1	<b>471 1612-01</b>	Auxiliary pressure pump	Pompe refulement	3	Complete
<b>2</b>	1	<b>471 4018-00</b>	•Container	•Conteneur	3	
<b>3</b>	3	<b>725 2451-51</b>	•Screw	•Vis	3	M8X20
<b>4</b>	3	<b>471 9019-34</b>	•Washer	•Rondelle	3	TBR5B 8,4X26
<b>5</b>	3	<b>732 2118-01</b>	•Locking nut	•Contre-écrou	3	M8
<b>6</b>	1	<b>471 9223-03</b>	•Pump	•Pompe	1,2	380-415V, 50Hz See group US8610
<b>7</b>	4	<b>725 2372-51</b>	•Screw	•Vis	3	M6X25
<b>8</b>	8	<b>471 9018-51</b>	•Washer	•Rondelle	3	
<b>9</b>	4	<b>734 1153-01</b>	•Washer	•Rondelle	3	BRB 6,4X12
<b>10</b>	4	<b>732 2116-01</b>	•Locking nut	•Contre-écrou	3	M6
<b>11</b>	1	<b>471 2260-05</b>	•Hose	•Flexible	1	
<b>12</b>	4	<b>736 2837-51</b>	•Hose clamp	•Attache flexible	3	Ø48-54 56
<b>13</b>	1	<b>471 2464-17</b>	•Hose	•Flexible	3	
<b>14</b>	1	<b>471 4012-01</b>	•Manifold	•Collecteur	3	FLE403
<b>15</b>	1	<b>471 4012-02</b>	•Manifold	•Collecteur	3	FLE804
<b>16</b>	1	<b>471 8116-09</b>	•Hose	•Flexible	3	L=2900
<b>17</b>	2	<b>471 9228-69</b>	•Hose clamp	•Attache flexible	3	13-24
<b>18</b>	1	<b>471 9009-38</b>	•Hose sleeve	•Manchon	3	15
<b>19</b>	1	<b>471 9010-73</b>	•Nut	•Écrou	3	DN15
<b>20</b>	1	<b>471 2261-49</b>	•Gasket	•Joint	1	
<b>21</b>	1	<b>741 4114-20</b>	•Bushing	•Douille	3	R 3/4"/1/2"
<b>22</b>	1	<b>471 8247-01</b>	•Valve	•Soupape	1	
<b>23</b>	1	<b>438 9636-03</b>	•Contactor	•Relais	1,2	60Hz
<b>24</b>	1	<b>471 4641-76</b>	•Cable set	•Jeu de câbles	3	

1



Issue	Month	Year
02	10	90

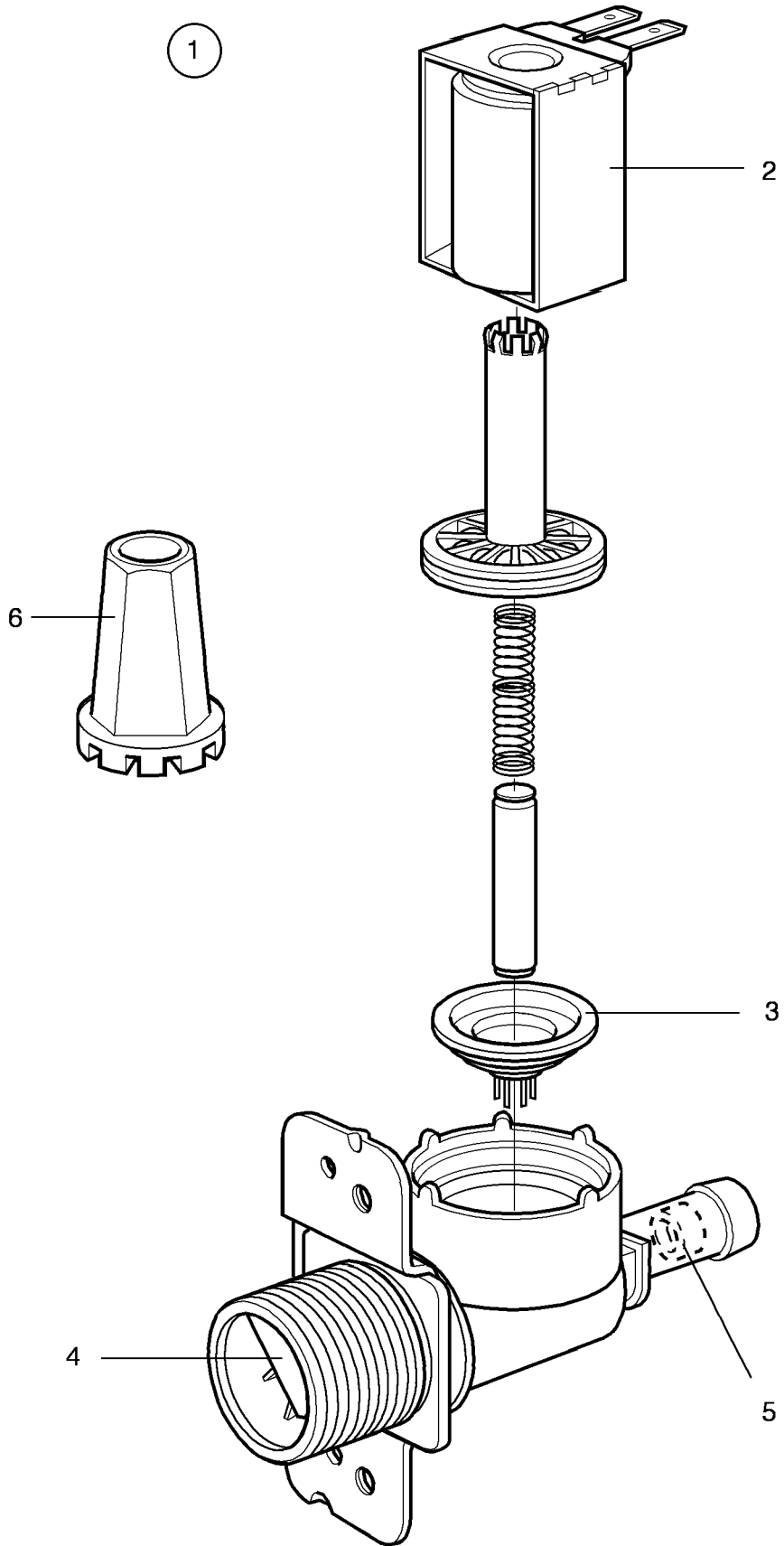
**EX-200,EX-200 HI-TEK**

**Drain valve**

**Purgeur**

Illustration Issue Month Year  
Schéma Issue Month Year  
**100563 3 10 1990**

Item Article	Qua Qua	Art.No Réf. article	Description	Description	Info Info	Notes Remarques
<b>1</b>	1	<b>471 9219-63</b>	Drain valve	Purgeur	1	70,185-242V 50/60Hz El.heated, 185-242V
<b>2</b>	1	<b>471 6753-59</b>	•Valve housing	•Compartiment soupapes	1	70
<b>3</b>	1	<b>471 6753-58</b>	•Motor	•Moteur	1	50/60Hz With gear
<b>4</b>	1	<b>471 6654-20</b>	••Motor	••Moteur	1	
<b>5</b>	1	<b>471 6654-22</b>	••Gear	••Engrenage	1	
<b>6</b>	1	<b>471 6654-14</b>	•Mounting plate	•Plaque de montage	3	
<b>7</b>	1	<b>471 6654-13</b>	•Muff	•Tubulure	3	70
<b>8</b>	1	<b>471 6653-02</b>	•Gasket	•Joint	3	70
<b>9</b>	1	<b>471 6653-01</b>	•Gasket	•Joint	1	
<b>10</b>	1	<b>471 6653-03</b>	•Cover	•Couvercle	1	With plate
<b>11</b>	1	<b>471 6654-28</b>	•Spring	•Ressort	1	
<b>12</b>	4	<b>471 6654-16</b>	•Screw	•Vis	3	
<b>13</b>	4	<b>471 6654-15</b>	•Spacer	•Entretoise	3	
<b>14</b>	1	<b>471 6675-23</b>	Spring	Ressort	1	





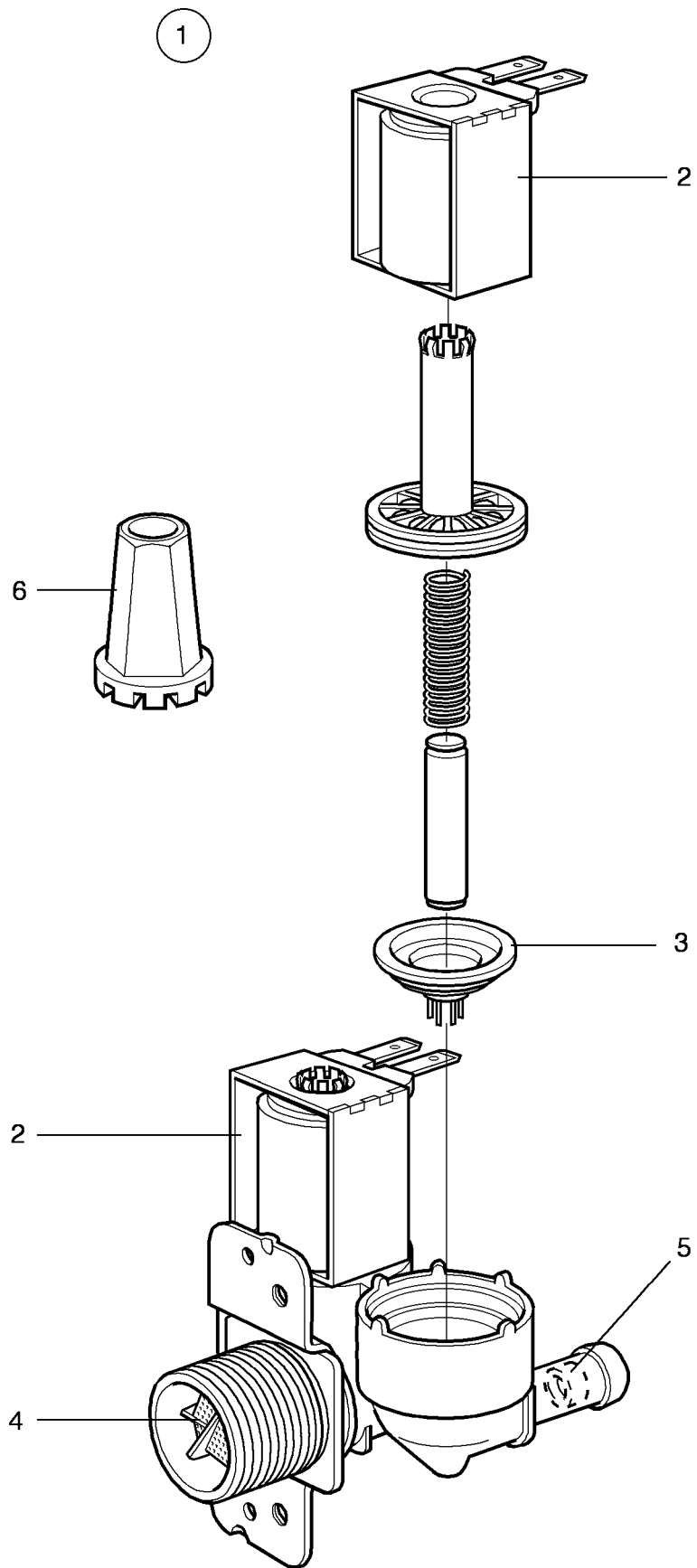
**EX-200,EX-200 HI-TEK**

**Inlet valve 3/4", single**

**Soupape de admission 3/4", simple**

Illustration Issue Month Year  
Schéma Issue Month Year  
**100044 3 8 1991**

Item Article	Qua Qua	Art.No Réf. article	Description	Description	Info Info	Notes Remarques
<b>1</b>	1	<b>471 8234-01</b>	Valve	Soupape	1,2	208-240V 50Hz 1-way NITRIL COMPL. Restriction 5,5l/min
	1	<b>471 8234-04</b>	Valve	Soupape	1,2	208-240V 60Hz 1-way NITRIL COMPL. Restriction 5,5l/min
	1	<b>471 8234-02</b>	Valve	Soupape	1,2	50Hz 1-way NITRIL COMPL. RESTRICTION 20L/MIN
	1	<b>471 8234-05</b>	Valve	Soupape	1,2	60Hz 1-way NITRIL COMPL. RESTRICTION 20L/MIN
	1	<b>471 8234-08</b>	Valve	Soupape	1,2	EDPM 208-240V 60Hz Complete RESTRICTION 2,5L/MIN
	1	<b>471 8234-09</b>	Valve	Soupape	1,2	EPDM 208-240V 60Hz 1-way RESTRICTION 2,5L/MIN
<b>2</b>	1	<b>471 6696-37</b>	•Coil	•Bobine	1,2	208-240V 50Hz
	1	<b>471 6696-33</b>	•Coil	•Bobine	1,2	208-240V 60Hz
<b>3</b>	1	<b>471 8234-98</b>	•Diaphragm	•Diaphragme	1,2	NITRIL
	1	<b>471 8234-92</b>	•Diaphragm	•Diaphragme	1,2	EPDM
<b>4</b>	1	<b>471 8234-94</b>	•Filter	•Filtre	1	
<b>5</b>	1	<b>471 8234-95</b>	•Restrictor	•Réducteur de débit	1	2,5l/min
	1	<b>471 8234-96</b>	•Restrictor	•Réducteur de débit	1	5,5l/min
<b>6</b>	1	<b>471 4792-01</b>	Tool	Outil	1	



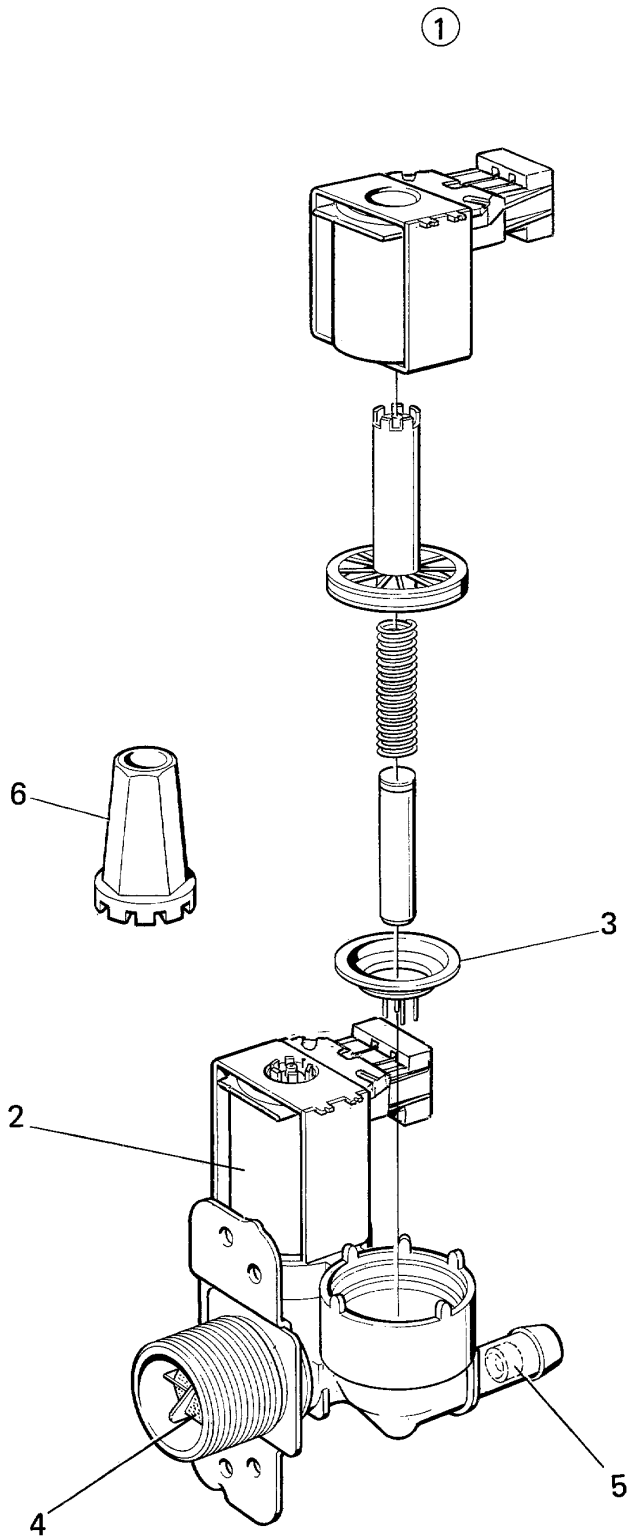
**EX-200,EX-200 HI-TEK**

**Inlet valve 3/4", 2-way**

**Soupape de admission 3/4", 2 voies**

Illustration Issue Month Year  
Schéma Issue Month Year  
**100045 3 8 1991**

Item Article	Qua Qua	Art.No Réf. article	Description	Description	Info Info	Notes Remarques
<b>1</b>	1	<b>471 8235-01</b>	Valve	Soupape	1,2	NITRIL COMPL. RESTRICTION 20/20L/MIN
	1	<b>471 8235-09</b>	Valve	Soupape	1,2	208-240V 60Hz 2-way NITRIL COMPL. RESTRICTION 20/20L/MIN
	1	<b>471 8235-02</b>	Valve	Soupape	1,2	208-240V 50Hz 2-way NITRIL COMPL. RESTRICTION 5,5/20L/MIN
	1	<b>471 8235-02</b>	Valve	Soupape	1,2	208-240V 50Hz 2-way NITRIL COMPL. RESTRICTION 5,5/20L/MIN
	1	<b>471 8235-03</b>	Valve	Soupape	1,2	208-240V 50Hz NITRIL COMPL. RESTRICTION 20/2,5L/MIN
	1	<b>471 8235-12</b>	Valve	Soupape	1,2	208-240V 60Hz NITRIL COMPL. RESTRICTION 20/2,5L/MIN
	1	<b>471 8235-11</b>	Valve	Soupape	1,2	EPDM 208-240V 50Hz 2-way Complete RESTRICTION 20/20L/MIN
	1	<b>471 8235-04</b>	Valve	Soupape	1,2	EPDM 208-240V 60Hz 2-way USA COMPL. RESTRICTION 20/20L/MIN
	1	<b>471 8235-05</b>	Valve	Soupape	1,2	EPDM 208-240V 60Hz 2-way USA COMPL. RESTRICTION 5,5/20L/MIN
	1	<b>471 8235-06</b>	Valve	Soupape	1,2	EPDM 120V 60Hz Complete RESTRICTION 5,5/20L/MIN
	1	<b>471 8235-07</b>	Valve	Soupape	1,2	2-WAY, 120V 60Hz USA COMPL. RESTRICTION 20/20L/MIN
	1	<b>471 8235-15</b>	Valve	Soupape	1,2	NITRIL 120V 60Hz 2-way Complete RESTRICTION 20/20L/MIN
	1	<b>471 8235-14</b>	Valve	Soupape	1,2	NITRIL 120V 60Hz 2-way Complete RESTRICTION 5,5/20L/MIN
	1	<b>471 8235-08</b>	Valve	Soupape	1,2	208-240V 50Hz NITRIL COMPL. RESTRICTION 5,5/20L/MIN
	1	<b>471 8235-13</b>	Valve	Soupape	1,2	208-240V 60Hz 2-way NITRIL COMPL. RESTRICTION 5,5/10L/MIN
1	<b>471 8235-20</b>	Valve	Soupape	1,2	NITRIL 120V 50Hz 2-way Complete RESTRICTION 20/20L/MIN	
1	<b>471 8235-21</b>	Valve	Soupape	1,2	NITRIL 120V 50Hz 2-way Complete RESTRICTION 5,5/20L/MIN	
<b>2</b>	2	<b>471 6696-37</b>	•Coil	•Bobine	1,2	208-240V 50Hz
	2	<b>471 6696-33</b>	•Coil	•Bobine	1,2	208-240V 60Hz
	2	<b>471 6696-32</b>	•Coil	•Bobine	1,2	120V 60Hz
<b>3</b>	2	<b>471 8234-98</b>	•Diaphragm	•Diaphragme	1,2	NITRIL
	2	<b>471 8234-92</b>	•Diaphragm	•Diaphragme	1,2	EPDM
<b>4</b>	1	<b>471 8234-94</b>	•Filter	•Filtre	1	
<b>5</b>	1	<b>471 8234-95</b>	•Restrictor	•Réducteur de débit	1	2,5l/min
	1	<b>471 8234-96</b>	•Restrictor	•Réducteur de débit	1	5,5l/min
	1	<b>471 8234-97</b>	•Restrictor	•Réducteur de débit	1	10l/min
<b>6</b>	1	<b>471 4792-01</b>	Tool	Outil	1	



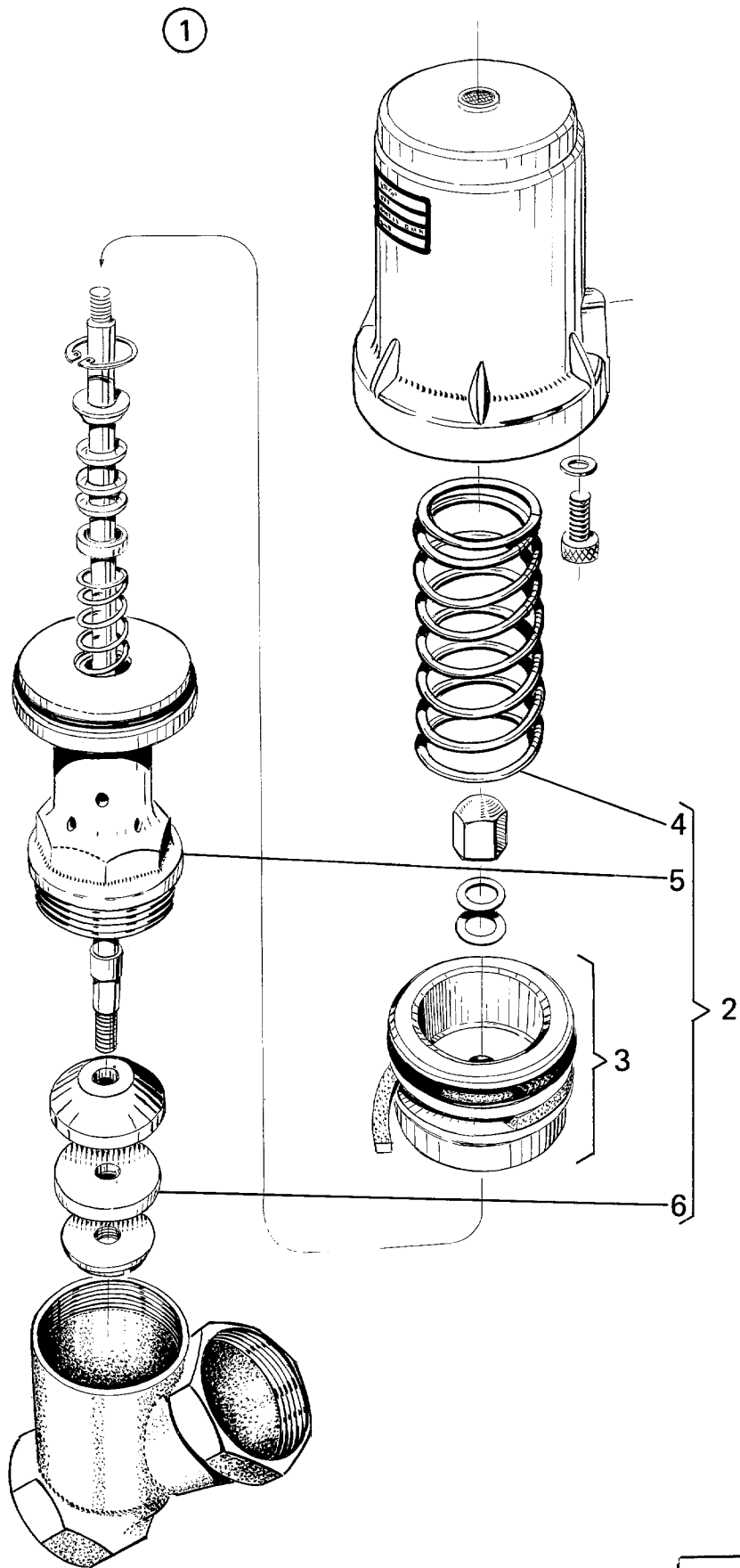
**EX-200,EX-200 HI-TEK**

**Inlet valve 3/4", 2-way**

**Soupape de admission 3/4", 2 voies**

Illustration Issue Month Year  
Schéma Issue Month Year  
**100798/1 4 10 2002**

Item Article	Qua Qua	Art.No Réf. article	Description	Description	Info Info	Notes Remarques
<b>1</b>	1	<b>471 8235-51</b>	Valve	Soupape	1,2	208-240V
	1	<b>471 8235-54</b>	Valve	Soupape	1,2	240V 60Hz 2-way USA
	1	<b>471 8235-57</b>	Valve	Soupape	1,2	120V 60Hz 2-way USA
<b>2</b>	1	<b>471 6860-15</b>	•Coil	•Bobine	1,2	120V Green
	1	<b>471 6860-16</b>	•Coil	•Bobine	1,2	120V Orange
	1	<b>471 6860-17</b>	•Coil	•Bobine	1,2	120V White
	1	<b>471 6860-18</b>	•Coil	•Bobine	1,2	208-240V Green
	1	<b>471 6860-19</b>	•Coil	•Bobine	1,2	208-240V Orange
	1	<b>471 6860-20</b>	•Coil	•Bobine	1,2	208-240V White
	1	<b>471 8234-98</b>	•Diaphragm	•Diaphragme	1,2	NITRIL
<b>3</b>	1	<b>471 8234-92</b>	•Diaphragm	•Diaphragme	1,2	EPDM
	1	<b>471 8234-94</b>	•Filter	•Filtre	1	
<b>4</b>	1	<b>471 8234-95</b>	•Restrictor	•Réducteur de débit	3	2,5l/min
<b>5</b>	1	<b>471 8234-96</b>	•Restrictor	•Réducteur de débit	3	5,5l/min
<b>6</b>	1	<b>471 4792-01</b>	Tool	Outil	3	



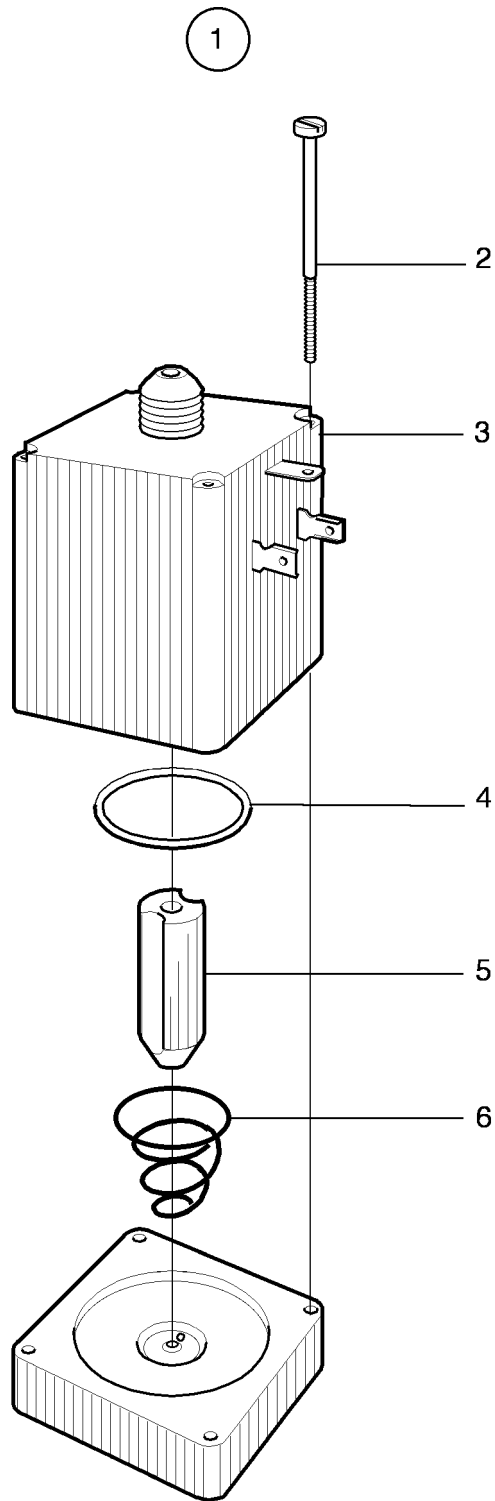
**EX-200**

**Steam inlet valve**

**Soupape**

Illustration Issue Month Year  
Schéma Issue Month Year  
**100574 1 3 1990**

Item Article	Qua Qua	Art.No Réf. article	Description	Description	Info Info	Notes Remarques
<b>1</b>	1	<b>471 9041-80</b>	Valve	Soupape	1,2	50/60Hz Complete
<b>2</b>	1	<b>471 9062-05</b>	Valve	Soupape	1,2	Complete
<b>3</b>	1	<b>471 6903-83</b>	•Repair kit	•Kit reconditionnement	1,2	
<b>4</b>	1		••Piston	••Piston	3	Complete
<b>5</b>	1		••Spring	••Ressort	3	
<b>6</b>	1		••O-ring	••Joint torique	3	
			••Seal	••Joint	3	





**EX-200**

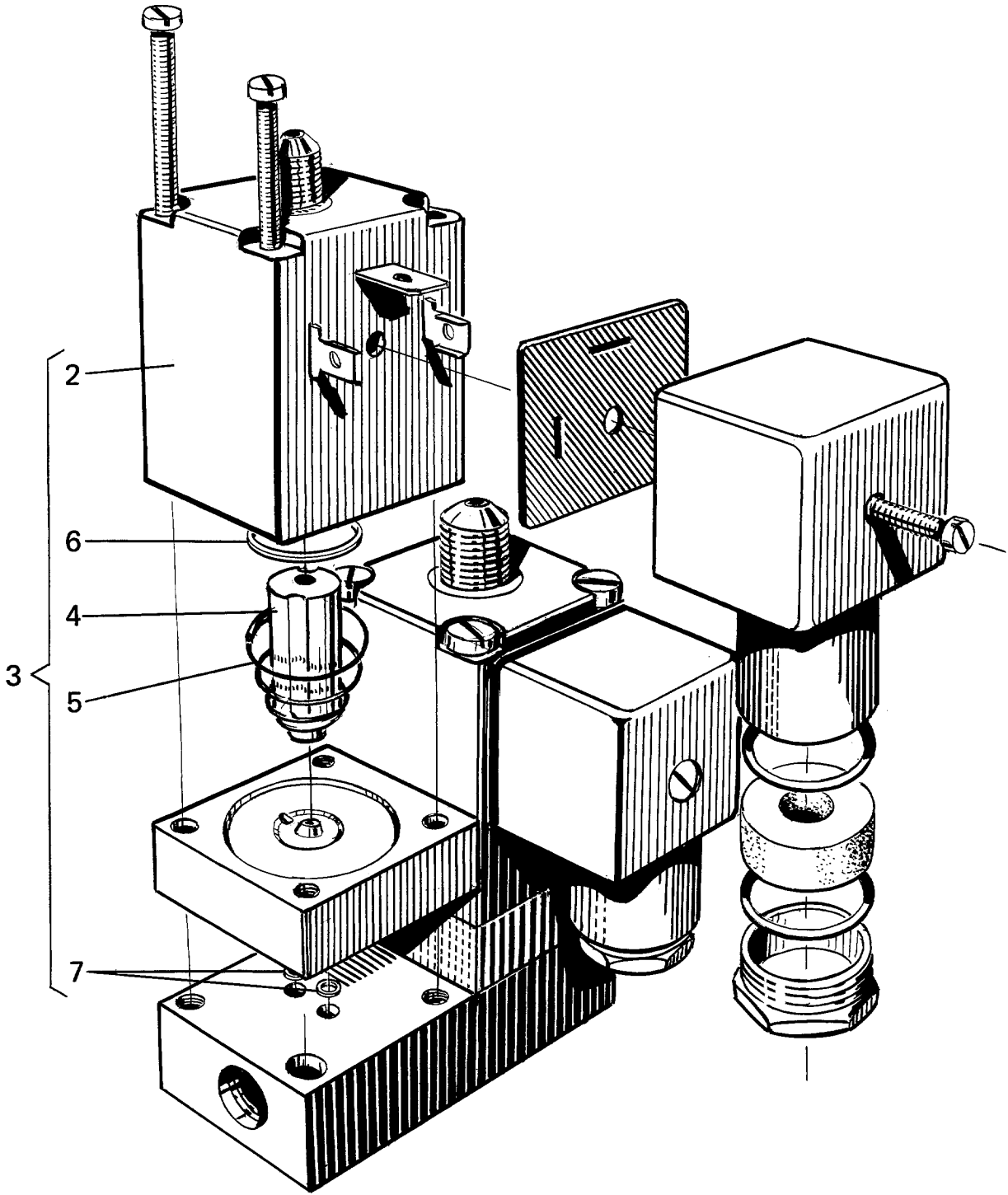
**Control valve**

**Soupape**

Illustration Issue Month Year  
Schéma Issue Month Year  
**100806/2 1 3 1990**

Item Article	Qua Qua	Art.No Réf. article	Description	Description	Info Info	Notes Remarques
<b>1</b>	1	<b>471 9202-32</b>	Solenoid valve	Électrovanne	1,2	50Hz
	1	<b>471 9202-33</b>	Solenoid valve	Électrovanne	1,2	60Hz
<b>2</b>	4	<b>471 6900-77</b>	•Screw	•Vis	3	
<b>3</b>	1	<b>471 6900-78</b>	•Coil	•Bobine	1,2	50Hz
	1	<b>471 6900-79</b>	•Coil	•Bobine	1,2	208-240V 60Hz
<b>4</b>	1	<b>471 6900-80</b>	•O-ring	•Joint torique	1,2	
<b>5</b>	1	<b>471 6900-82</b>	•Plunger	•Bobine mobile	1	
<b>6</b>	1	<b>471 6900-87</b>	•Valve housing	•Compartiment soupapes	3	

①



**EX-200**

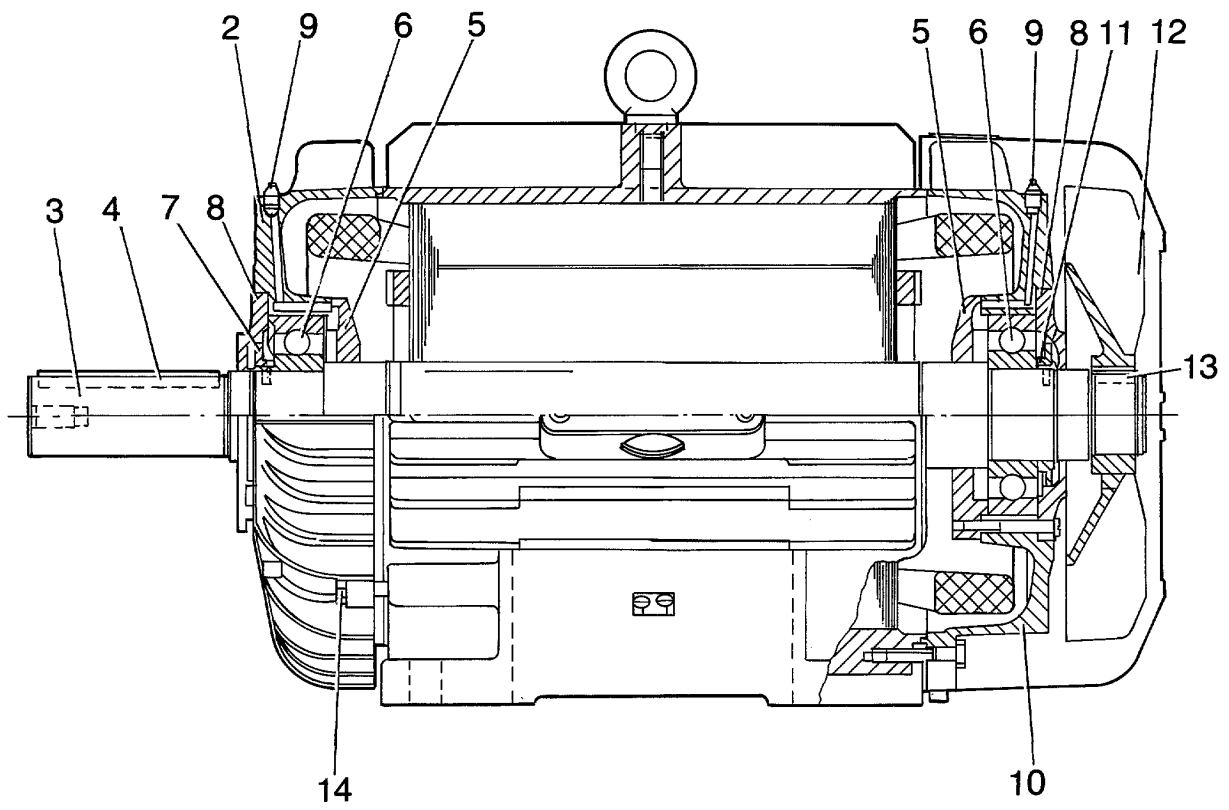
**Solenoid valve**

**Electrovanne**

Illustration Issue Month Year  
Schéma Issue Month Year  
**100577 1 3 1990**

Item Article	Qua Qua	Art.No Réf. article	Description	Description	Info Info	Notes Remarques
<b>1</b>	1	<b>471 9043-03</b>	Solenoid valve	Électrovanne	1,2	220V 50Hz
	1	<b>471 9214-69</b>	Solenoid valve	Électrovanne	1,2	220V 60Hz
	1	<b>471 9043-04</b>	Solenoid valve	Électrovanne	1,2	50Hz
	1	<b>471 9067-46</b>	Solenoid valve	Électrovanne	1,2	60Hz
	1	<b>471 9042-46</b>	Solenoid valve	Électrovanne	1,2	220V 50Hz
	1	<b>471 9214-74</b>	Solenoid valve	Électrovanne	1,2	220V 60Hz
	<b>2</b>	1	<b>471 6903-80</b>	•Coil	•Bobine	1,2
1		<b>471 6903-81</b>	•Coil	•Bobine	1,2	60Hz
<b>3</b>	1	<b>471 6903-82</b>	•Repair kit	•Kit reconditionnement	1,2	
<b>4</b>	1		••Plunger	••Bobine mobile	3	
<b>5</b>	1		••Spring	••Ressort	3	
<b>6</b>	1		••O-ring	••Joint torique	3	
<b>7</b>	1		••O-ring	••Joint torique	3	

1



**EX-200**

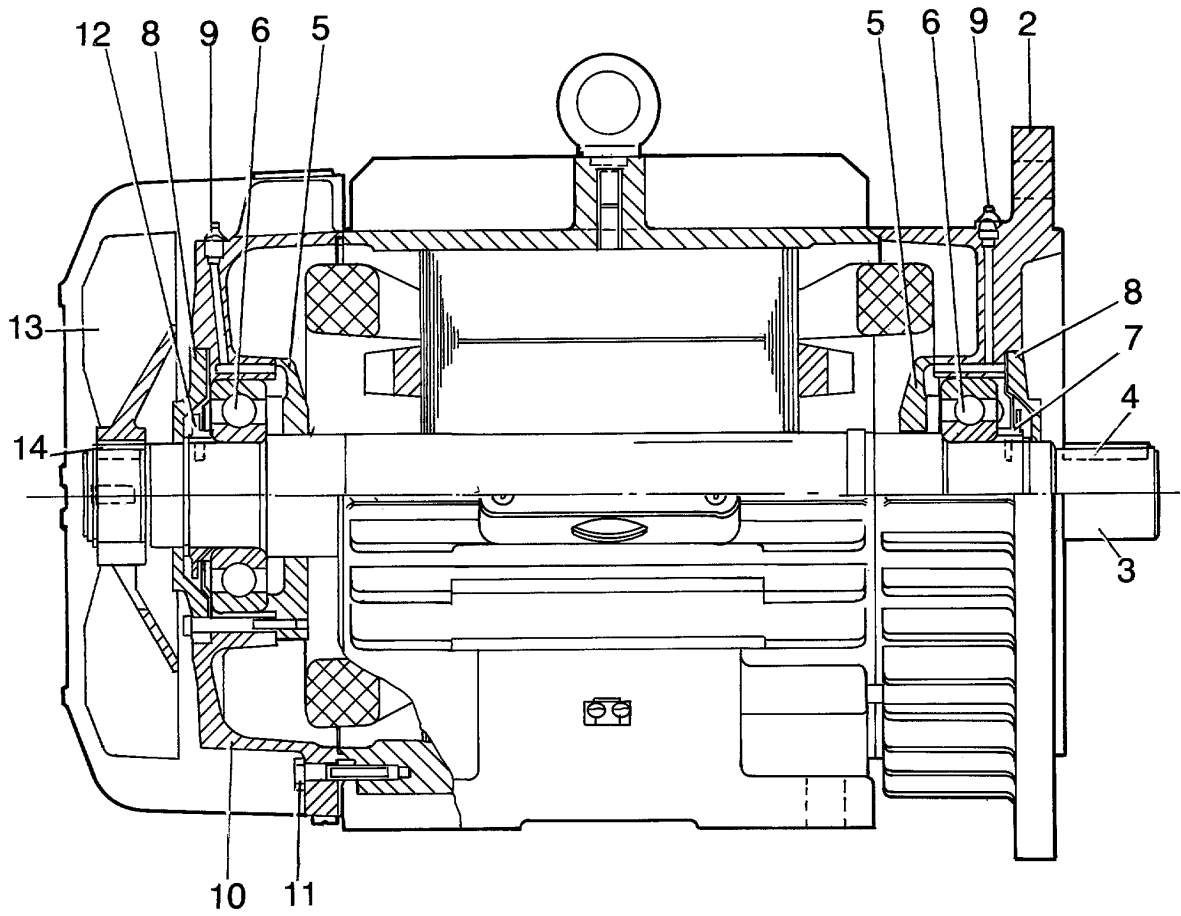
**Wash motor**

**Moteur de lavage**

Illustration Issue Month Year  
Schéma Issue Month Year  
**100590 3 9 1991**

Item Article	Qua Qua	Art.No Réf. article	Description	Description	Info Info	Notes Remarques
<b>1</b>	1	<b>471 9228-37</b>	Motor	Moteur	1	220V 3AC 50Hz
	1	<b>471 9223-93</b>	Motor	Moteur	1	380-415V 3NAC 50Hz
	1	<b>471 9228-38</b>	Motor	Moteur	1	208-240V 3AC 60Hz
	1	<b>471 9737-01</b>	Motor	Moteur	1	380V 60Hz,
<b>2</b>	1	<b>471 6684-49</b>	•Plastic bushing	•Douille en plastique	3	
<b>3</b>	1	<b>471 6684-85</b>	•Shaft	•Arbre	3	
<b>4</b>	1	<b>471 6684-86</b>	•Wedge	•Poulie courroie V	3	
<b>5</b>	2	<b>471 6684-84</b>	•Bearing cover	•Chapeau de palier	3	
<b>6</b>	2	<b>738 2310-30</b>	•Ball bearing	•Roulement à billes	1	
<b>7</b>	1	<b>471 6684-82</b>	•Ring	•Anneau	3	
<b>8</b>	2	<b>471 6684-83</b>	•Bearing cover	•Chapeau de palier	3	
<b>9</b>	2	<b>738 8820-01</b>	•Nipple	•Raccord	3	
<b>10</b>	1	<b>471 6684-80</b>	•End shield	•Flasque du moteur	3	
<b>11</b>	1	<b>471 6684-81</b>	•Ring	•Anneau	3	
<b>12</b>	1	<b>471 6684-88</b>	•Fan	•Ventilateur	1	
<b>13</b>	1	<b>471 6684-87</b>	•Wedge	•Poulie courroie V	1	
<b>14</b>	4	<b>725 2499-51</b>	•Screw	•Vis	3	M8X40

1



**EX-200**

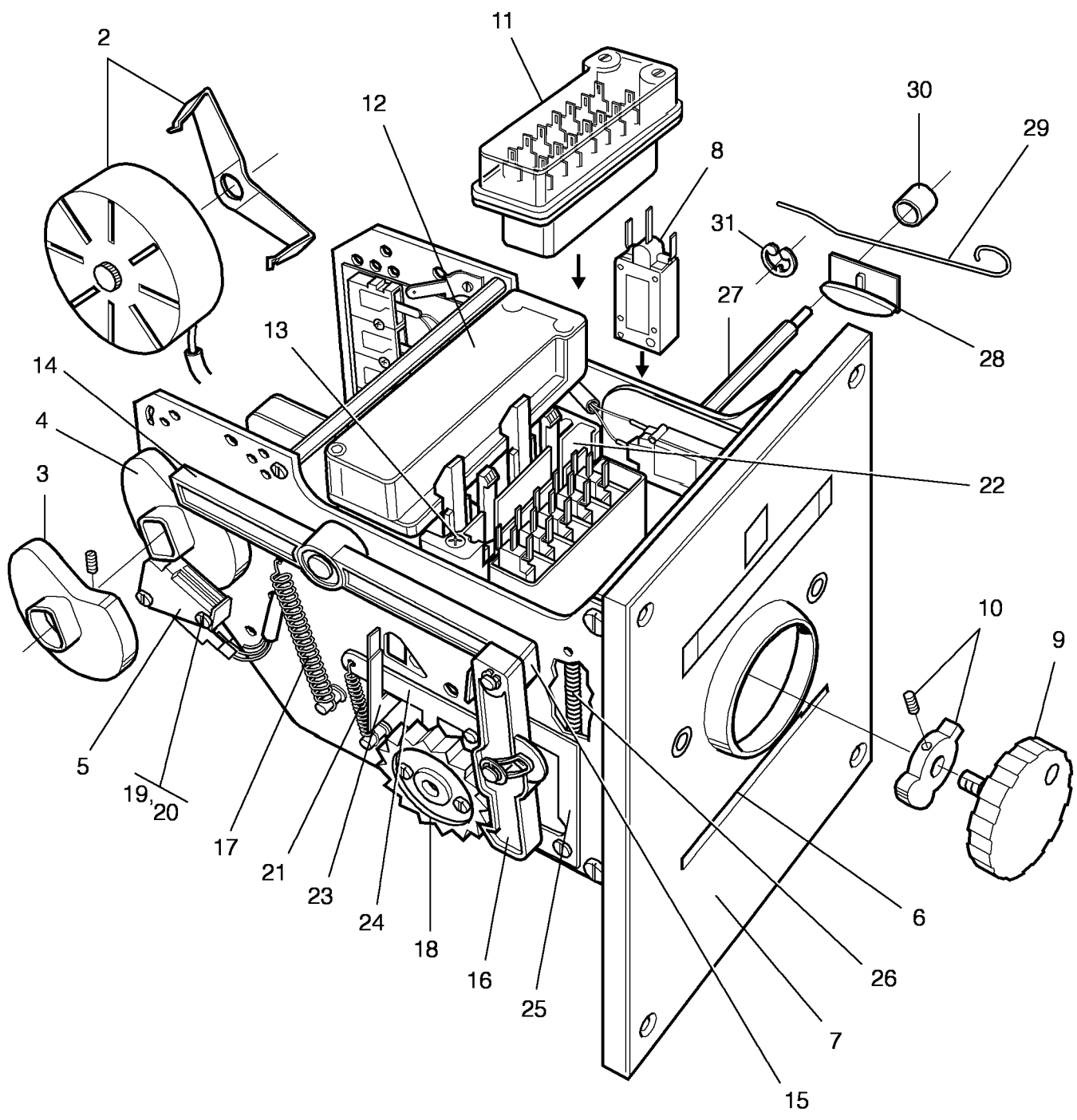
**Extract motor**

**Moteur**

Illustration Issue Month Year  
Schéma Issue Month Year  
**100591 2 4 1990**

Item Article	Qua Qua	Art.No Réf. article	Description	Description	Info Info	Notes Remarques
<b>1</b>	1	<b>471 9228-39</b>	Motor	Moteur	1	220V 3AC 50Hz
	1	<b>471 9223-94</b>	Motor	Moteur	1	380-415V 3NAC 50Hz
	1	<b>471 9228-40</b>	Motor	Moteur	1	208-240V 3AC 60Hz
	1	<b>471 9737-02</b>	Motor	Moteur	1	380V 60Hz,
<b>2</b>	1	<b>471 6684-89</b>	•End shield	•Flasque du moteur	3	
<b>3</b>	1	<b>471 6684-90</b>	•Shaft	•Arbre	3	
<b>4</b>	1	<b>471 6684-91</b>	•Wedge	•Poulie courroie V	3	
<b>5</b>	2	<b>471 6684-84</b>	•Bearing cover	•Chapeau de palier	3	
<b>6</b>	2	<b>738 2310-30</b>	•Ball bearing	•Roulement à billes	1	
<b>7</b>	1	<b>471 6684-82</b>	•Ring	•Anneau	3	
<b>8</b>	2	<b>471 6684-83</b>	•Bearing cover	•Chapeau de palier	3	
<b>9</b>	2	<b>738 8820-64</b>	•Nipple	•Raccord	3	
<b>10</b>	1	<b>471 6684-80</b>	•End shield	•Flasque du moteur	3	
<b>11</b>	4	<b>725 2459-51</b>	•Screw	•Vis	3	M8X40
<b>12</b>	1	<b>471 6684-81</b>	•Ring	•Anneau	3	
<b>13</b>	1	<b>471 6684-88</b>	•Fan	•Ventilateur	3	
<b>14</b>	1	<b>471 6684-87</b>	•Wedge	•Poulie courroie V	3	

1





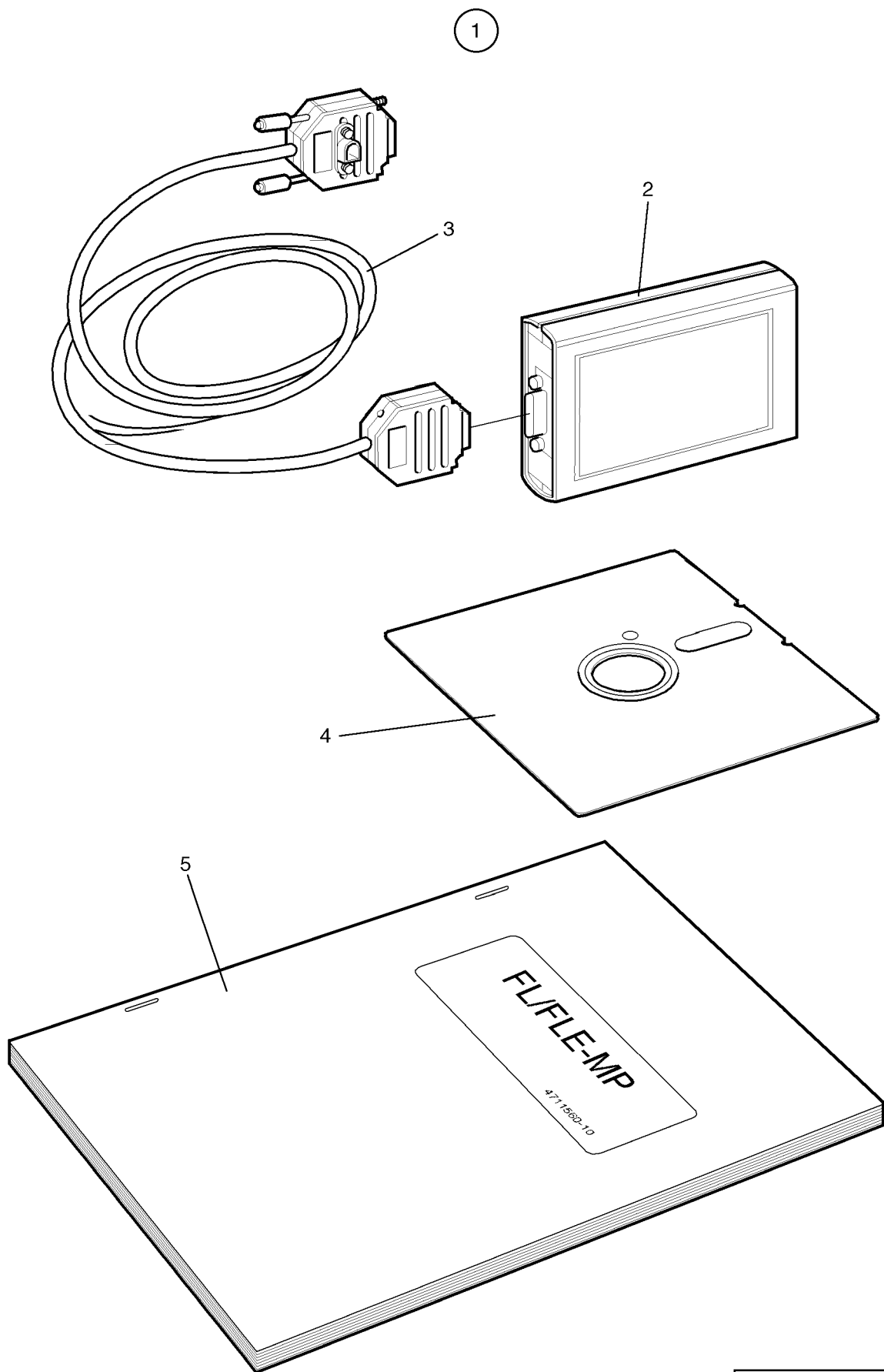
**EX-200,EX-200 HI-TEK**

**Card programmer**

**Programmateur cartes**

Illustration Issue Month Year  
Schéma Issue Month Year  
**100605/3 3 2 2003**

Item Article	Qua Qua	Art.No Réf. article	Description	Description	Info Info	Notes Remarques
			12 Track	12 Canaux		
			16 Track	16 Canaux		
<b>1</b>	1	<b>471 9207-07</b>	Card programmer	Programmateur cartes	1,2	50Hz Complete
	1	<b>471 9207-08</b>	Card programmer	Programmateur cartes	1,2	60Hz Complete
<b>2</b>	1	<b>471 6753-60</b>	•Motor	•Moteur	1,2	50Hz With gear
	1	<b>471 6753-61</b>	•Motor	•Moteur	1,2	60Hz With gear
<b>3</b>	1	<b>471 9044-86</b>	•Disc	•Disque	1	60 SEC
<b>4</b>	1	<b>471 9044-83</b>	•Disc	•Disque	1	30 SEC
<b>5</b>	1	<b>471 6527-30</b>	•Microswitch	•Microrupteur	1,2	
<b>6</b>	1	<b>471 9008-30</b>	•Program card	•Carte programme	1,2	80 STEPS
	1	<b>471 9200-78</b>	•Program card	•Carte programme	1,2	120 STEPS
<b>7</b>	1	<b>471 6753-79</b>	•Front panel	•Panneau avant	1	
<b>8</b>	12	<b>471 6527-12</b>	•Microswitch	•Microrupteur	1,2	
<b>9</b>	1	<b>471 6754-63</b>	•Knob	•Bouton	1	
<b>10</b>	1	<b>471 6754-64</b>	•Frame	•Châssis	1	WITH SCREW
<b>11</b>	1	<b>471 6527-10</b>	•Connector	•Connexion	3	FRONT
<b>12</b>	1	<b>471 6527-11</b>	•Connector	•Connexion	3	Rear
<b>13</b>	2	<b>471 9017-12</b>	•Screw	•Vis	3	
<b>14</b>	1	<b>471 6527-24</b>	•Arm	•Bras	1	
<b>15</b>	1	<b>471 6527-22</b>	•Washer	•Rondelle	3	
<b>16</b>	1	<b>471 6527-21</b>	•Arm	•Bras	1	
<b>17</b>	1	<b>471 6527-29</b>	•Spring	•Ressort	1	
<b>18</b>	2	<b>471 6527-26</b>	•Wheel	•Roue	1	
<b>19</b>	2	<b>471 6527-32</b>	•Screw	•Vis	3	
<b>20</b>	2	<b>471 9015-65</b>	•Nut	•Écrou	3	M3
<b>21</b>	1	<b>471 6527-28</b>	•Spring	•Ressort	1	
<b>22</b>	1	<b>471 6901-54</b>	•Cover	•Couvercle	3	
<b>23</b>	1	<b>471 6527-38</b>	•Spring clips	•Brides de ressort	3	
<b>24</b>	1	<b>471 6257-35</b>	•Catch	•Attache	3	Complete
<b>25</b>	1	<b>471 6527-34</b>	•Arm	•Bras	3	
<b>26</b>	1	<b>471 6527-20</b>	•Spring	•Ressort	1	
<b>27</b>	1	<b>471 6654-00</b>	•Roller	•Galet	3	
<b>28</b>	2	<b>471 6653-30</b>	•Bearing cage	•Cage de palier	3	
<b>29</b>	2	<b>471 6653-31</b>	•Spring	•Ressort	1	
<b>30</b>	2	<b>471 6653-32</b>	•Bearing	•Coussinet	3	
<b>31</b>	1	<b>735 3110-21</b>	C-clamp	Presse à main	3	
	1	<b>471 6666-96</b>	Test card	Carte d'essai	3	Not shown
	1	<b>471 8961-02</b>	Pliers	Pince	1	Not shown
	RQ	<b>471 6654-10</b>	Pin	Goupille	1	Not shown



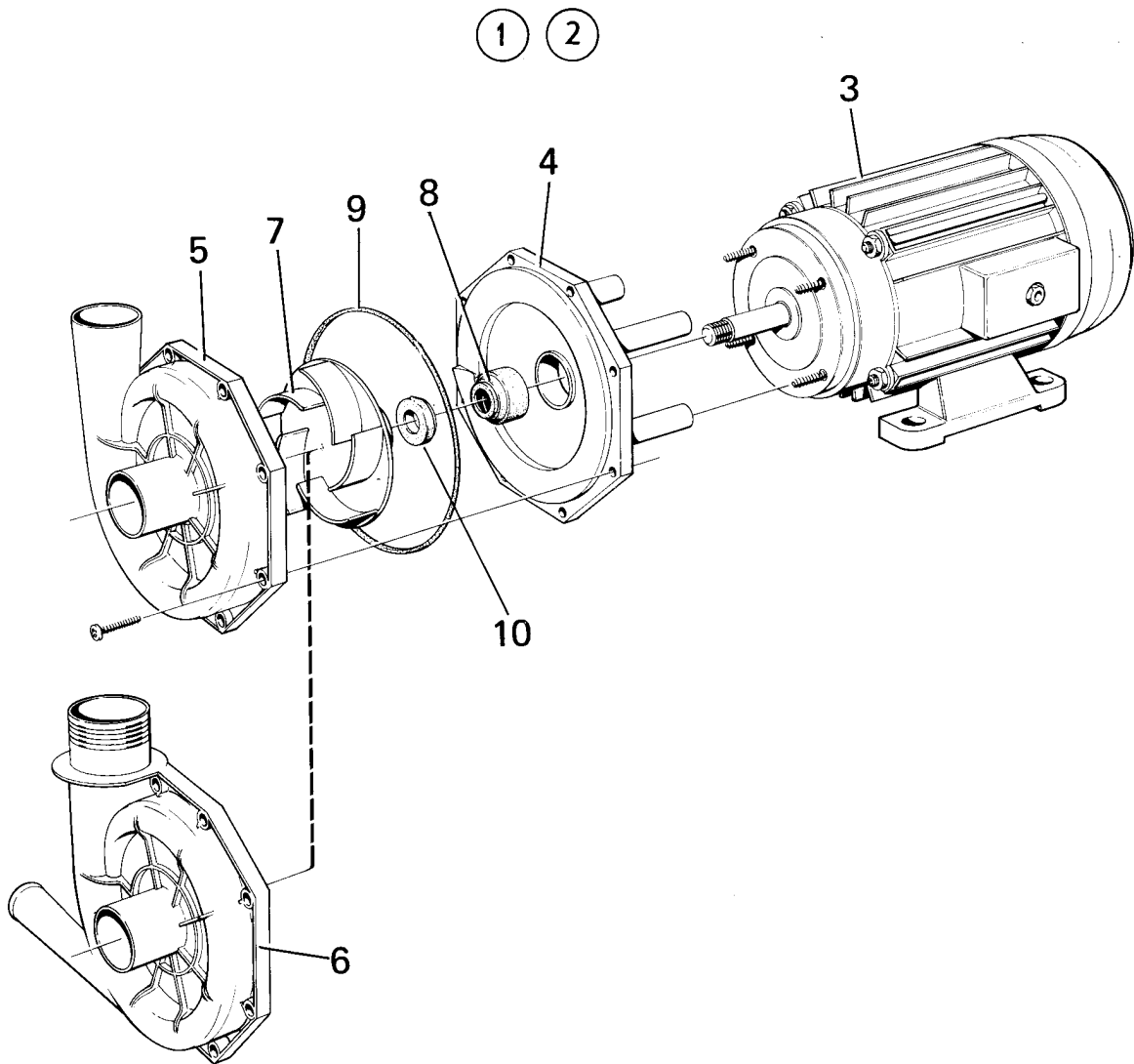
**EX-200,EX-200 HI-TEK**

**Memory cartridge complete**

**Cassette de mémoire complet**

Illustration Issue Month Year  
Schéma Issue Month Year  
**100826 4 1 1992**

Item Article	Qua Qua	Art.No Réf. article	Description	Description	Info Info	Notes Remarques
<b>1</b>	1	<b>472 9900-27</b>	Memory cartridge	Cassette de mémoire	3	Swedish
	1	<b>472 9900-28</b>	Memory cartridge	Cassette de mémoire	3	English
	1	<b>472 9900-29</b>	Memory cartridge	Cassette de mémoire	3	German
	1	<b>472 9900-30</b>	Memory cartridge	Cassette de mémoire	3	French
	1	<b>472 9900-31</b>	Memory cartridge	Cassette de mémoire	3	Norwegian
	1	<b>472 9900-52</b>	Memory cartridge	Cassette de mémoire	3	Danish
	1	<b>472 9900-53</b>	Memory cartridge	Cassette de mémoire	3	Spanish
	1	<b>472 9900-54</b>	Memory cartridge	Cassette de mémoire	3	Finnish
	1	<b>472 9900-76</b>	Memory cartridge	Cassette de mémoire	3	Dutch
	<b>2</b>	1	<b>471 8980-01</b>	•Cassette	•Cassette	3
<b>3</b>	1	<b>471 7468-01</b>	•Cable	•Câble	3	
<b>4</b>	1	<b>471 9533-02</b>	•Diskette	•Disquette	3	
<b>5</b>	1	<b>471 1560-10</b>	•Instruction manual	•Manuel d'utilisation	3	Swedish
	1	<b>471 1560-11</b>	•Instruction manual	•Manuel d'utilisation	3	English
	1	<b>471 1560-12</b>	•Instruction manual	•Manuel d'utilisation	3	German
	1	<b>471 1560-13</b>	•Instruction manual	•Manuel d'utilisation	3	French
	1	<b>471 1560-14</b>	•Instruction manual	•Manuel d'utilisation	3	Spanish
	1	<b>471 1560-15</b>	•Instruction manual	•Manuel d'utilisation	3	Danish
	1	<b>471 1560-16</b>	•Instruction manual	•Manuel d'utilisation	3	Finnish
	1	<b>471 1560-17</b>	•Instruction manual	•Manuel d'utilisation	3	Norwegian
	1	<b>471 1560-18</b>	•Instruction manual	•Manuel d'utilisation	3	Dutch



**EX-200,EX-200 HI-TEK**

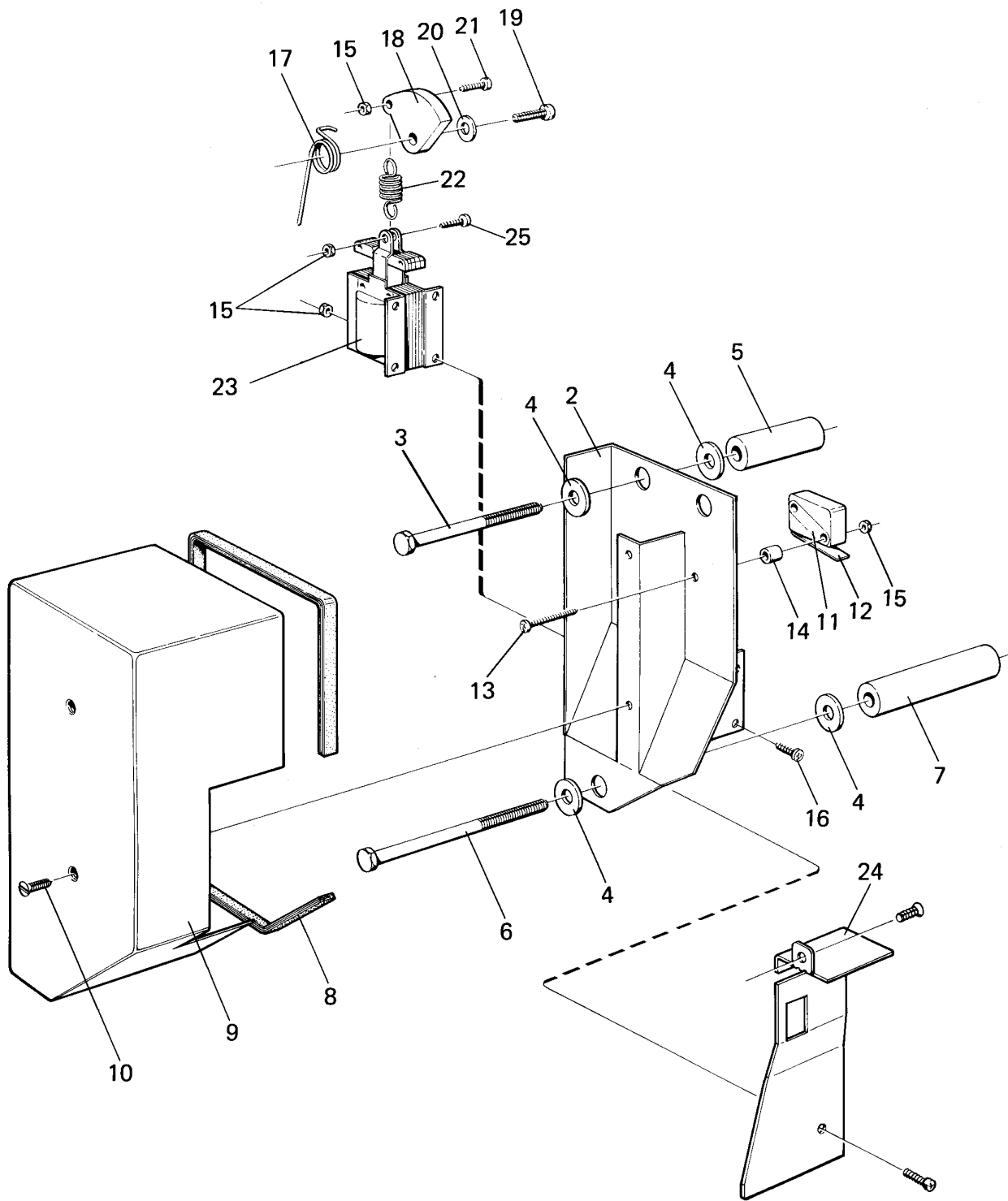
**Pump**

**Pompe**

Illustration Issue Month Year  
Schéma Issue Month Year  
**100611 3 9 1990**

Item Article	Qua Qua	Art.No Réf. article	Description	Description	Info Info	Notes Remarques
<b>1</b>	1	<b>471 9223-03</b>	Pump	Pompe	1,2	380-415V, 50Hz COMPL. 1-OUTLET
<b>3</b>	1	<b>471 9223-50</b>	Pump	Pompe	1,2	60Hz COMPL. 1-OUTLET
	1		•Motor	•Moteur	1,2	380V 50Hz
	1		•Motor	•Moteur	1,2	380V 50Hz
<b>4</b>	1	<b>471 6600-12</b>	•Pump housing	•Boîtier de pompe	1,2	
<b>5</b>	1	<b>471 6600-13</b>	•Pump housing	•Boîtier de pompe	1,2	
<b>7</b>	1	<b>471 6531-32</b>	•Pump wheel	•Roue de la pompe	1,2	
<b>8</b>	1	<b>471 6536-43</b>	•Seal	•Joint	1,2	GASKET
<b>9</b>	1	<b>471 6606-88</b>	•O-ring	•Joint torique	1,2	
<b>10</b>	1	<b>463 9736-08</b>	Ring	Anneau	3	

1



100628

Issue	Month	Year
02	01	96

**EX-200 HI-TEK,EX-200 76/1466-**

**Door lock**

**Serrure de porte**

Illustration Issue Month Year  
Schéma Issue Month Year  
**100628 7 3 1993**

Item Article	Qua Qua	Art.No Réf. article	Description	Description	Info Info	Notes Remarques
1	1	471 2461-65	Door locking device	Serrure de porte	3	50/60Hz Complete
2	1	471 2461-45	•Bracket	•Pupitre	3	
3	2	471 9102-53	•Screw	•Vis	3	M8X75
4	18	471 2262-84	•Washer	•Rondelle	3	
5	2	471 2461-52	•Spacer	•Entretoise	3	
6	1	725 2471-51	•Screw	•Vis	3	M8X100
7	1	471 2461-53	•Spacer	•Entretoise	3	
8	1	471 2461-63	•Gasket	•Bande de garniture	1	
9	1	471 2461-60	•Cover	•Couvercle	3	
10	2	471 9221-46	•Screw	•Vis	3	KFXB 8X19
11	1	471 9625-02	•Microswitch	•Microrupteur	1,2	FLE403 87/03241-
	1	471 9221-13	•Microswitch	•Microrupteur	1,2	FLE403 -87/03240
12	1	471 9626-50	•Arm	•Bras	1,2	FLE403 -87/03240
13	2	471 9100-00	•Screw	•Vis	3	RX 3X30
14	2	471 2461-54	•Spacer	•Entretoise	3	FLE403 -87/03240
15	8	732 2110-01	•Locking nut	•Contre-écrou	3	M3
16	5	471 9017-11	•Screw	•Vis	3	MRX 3X10
17	1	471 2461-57	•Torsion spring	•Ressort rotatif	1	
18	1	471 2461-55	•Catch	•Dispositif blocage	1	
19	1	724 1327-42	•Screw	•Vis	3	M5X12
20	1	734 1808-51	•Washer	•Rondelle	3	NB 5X16
21	1	724 1228-01	•Screw	•Vis	3	M3X16
22	1	471 2461-56	•Tensioner spring	•Ressort tendeur	1	
23	1	471 9221-11	•Coil	•Bobine	1,2	50/60Hz

Numerical index/Numerical index

Art.No/Réf. article	Page/Page	Art.No/Réf. article	Page/Page	Art.No/Réf. article	Page/Page	Art.No/Réf. article	Page/Page
071 8519-14	31	471 2417-29	63	471 4012-01	111	471 4108-78	11
432 5099-01	37	471 2417-38	107	471 4012-02	111	471 4108-79	21
438 4100-01	73	471 2418-14	35	471 4013-01	69	471 4203-01	51
438 4100-01	99	471 2418-42	99	471 4013-01	99	471 4205-01	51
438 4101-01	73	471 2422-19	39	471 4018-00	111	471 4207-01	75
438 4101-01	99	471 2422-19	43	471 4021-00	63	471 4207-01	77
438 4516-01	79	471 2422-20	39	471 4021-00	65	471 4207-01	79
438 4832-01	35	471 2422-20	45	471 4023-00	63	471 4211-02	61
438 9636-02	43	471 2426-54	17	471 4023-00	65	471 4212-01	61
438 9636-02	47	471 2429-80	61	471 4024-00	63	471 4215-01	61
438 9636-03	43	471 2436-58	9	471 4024-00	65	471 4225-01	23
438 9636-03	47	471 2440-36	73	471 4039-02	61	471 4225-02	23
438 9636-03	111	471 2453-45	67	471 4041-01	61	471 4225-03	31
463 9736-08	135	471 2461-24	35	471 4044-01	61	471 4227-01	23
471 0751-77	99	471 2461-25	35	471 4045-01	61	471 4230-01	29
471 1560-10	133	471 2461-27	35	471 4050-01	61	471 4230-01	31
471 1560-11	133	471 2461-28	35	471 4051-01	13	471 4231-01	23
471 1560-12	133	471 2461-34	35	471 4051-01	61	471 4232-01	25
471 1560-13	133	471 2461-40	35	471 4052-01	61	471 4233-01	29
471 1560-14	133	471 2461-41	35	471 4052-02	61	471 4233-01	31
471 1560-15	133	471 2461-45	137	471 4066-01	39	471 4234-01	27
471 1560-16	133	471 2461-52	137	471 4066-02	43	471 4235-01	29
471 1560-17	133	471 2461-53	137	471 4066-03	43	471 4235-01	31
471 1560-18	133	471 2461-54	137	471 4066-03	47	471 4237-01	29
471 1612-01	111	471 2461-55	137	471 4067-01	39	471 4237-03	31
471 2075-27	51	471 2461-56	137	471 4068-01	39	471 4238-02	29
471 2095-32	7	471 2461-57	137	471 4069-02	43	471 4240-02	9
471 2095-32	13	471 2461-60	137	471 4069-02	47	471 4240-03	9
471 2260-05	69	471 2461-63	137	471 4070-01	41	471 4241-01	9
471 2260-05	111	471 2461-65	137	471 4070-02	45	471 4241-01	11
471 2260-95	73	471 2461-75	69	471 4070-03	45	471 4242-01	9
471 2261-49	111	471 2462-35	39	471 4070-04	47	471 4242-01	51
471 2262-84	137	471 2464-17	111	471 4071-01	41	471 4243-01	7
471 2264-03	39	471 2464-18	43	471 4071-02	45	471 4243-02	11
471 2264-03	43	471 2464-19	39	471 4071-03	45	471 4244-01	7
471 2265-69	39	471 2464-19	43	471 4071-03	47	471 4245-01	7
471 2265-69	43	471 2464-58	97	471 4074-01	39	471 4246-01	51
471 2265-74	51	471 2464-58	99	471 4074-01	43	471 4248-01	7
471 2277-86	25	471 2468-98	53	471 4074-01	47	471 4248-02	11
471 2277-86	27	471 2468-99	51	471 4075-05	39	471 4250-02	9
471 2277-91	25	471 2564-18	39	471 4075-06	39	471 4250-03	9
471 2277-91	27	471 2683-01	99	471 4075-07	39	471 4309-54	7
471 2277-92	25	471 2903-01	53	471 4075-11	47	471 4309-55	7
471 2277-92	27	471 2903-01	57	471 4075-12	47	471 4309-56	21
471 2401-52	7	471 2903-01	59	471 4075-21	43	471 4309-84	51
471 2401-52	11	471 3109-22	75	471 4075-22	43	471 4310-66	51
471 2409-89	7	471 4005-62	75	471 4075-23	43	471 4310-67	51
471 2409-89	11	471 4005-62	77	471 4081-12	33	471 4310-90	7
471 2409-89	53	471 4005-62	79	471 4091-01	9	471 4310-90	11
471 2409-93	53	471 4005-75	63	471 4091-01	67	471 4310-94	21
471 2409-93	57	471 4005-75	65	471 4091-01	81	471 4310-95	21
471 2411-27	7	471 4005-76	63	471 4091-02	9	471 4353-01	91
471 2411-27	11	471 4005-76	65	471 4091-02	81	471 4353-02	91
471 2413-19	39	471 4005-90	63	471 4103-19	61	471 4374-01	73
471 2413-33	61	471 4005-90	65	471 4107-82	63	471 4374-01	99
471 2416-41	11	471 4005-90	107	471 4107-82	65	471 4375-01	73
471 2416-42	11	471 4005-95	7	471 4107-90	63	471 4375-01	99
471 2416-43	11	471 4005-96	7	471 4107-90	97	471 4387-01	99
471 2416-83	13	471 4005-96	11	471 4107-99	51	471 4388-02	73
471 2417-19	29	471 4005-99	7	471 4108-02	9	471 4388-03	73
471 2417-19	31	471 4005-99	11	471 4108-02	11	471 4391-01	73
471 2417-20	99	471 4006-01	7	471 4108-10	7	471 4527-70	19
471 2417-21	63	471 4006-02	7	471 4108-10	11	471 4527-78	19
471 2417-21	65	471 4006-02	11	471 4108-57	7	471 4586-01	47
471 2417-25	63	471 4007-15	7	471 4108-57	51	471 4605-14	35
471 2417-25	65	471 4007-15	11	471 4108-78	7	471 4605-30	17



Numerical index/Numerical index

Art.No/Réf. article	Page/Page	Art.No/Réf. article	Page/Page	Art.No/Réf. article	Page/Page	Art.No/Réf. article	Page/Page
471 4633-86	29	471 5523-00	35	471 6684-88	127	471 7609-02	41
471 4633-86	31	471 5525-00	35	471 6684-88	129	471 7609-03	41
471 4633-87	29	471 5560-00	7	471 6684-89	129	471 7609-04	41
471 4634-09	7	471 5560-00	11	471 6684-90	129	471 7609-05	41
471 4634-36	27	471 5564-00	7	471 6684-91	129	471 7609-06	41
471 4634-37	25	471 5564-00	11	471 6696-32	117	471 7609-07	41
471 4634-52	63	471 5617-00	9	471 6696-33	115	471 7609-08	41
471 4634-52	65	471 5617-00	13	471 6696-33	117	471 7609-09	41
471 4635-75	79	471 5631-00	35	471 6696-37	115	471 7609-10	41
471 4636-13	39	471 6257-35	131	471 6696-37	117	471 7626-74	13
471 4636-13	43	471 6527-10	131	471 6696-93	31	471 7639-15	13
471 4636-13	47	471 6527-11	131	471 6753-58	113	471 7701-50	23
471 4636-14	41	471 6527-12	131	471 6753-59	113	471 7702-50	23
471 4636-14	45	471 6527-20	131	471 6753-60	131	471 7826-10	41
471 4636-14	47	471 6527-21	131	471 6753-61	131	471 7826-10	45
471 4636-58	41	471 6527-22	131	471 6753-79	131	471 7826-10	47
471 4636-58	45	471 6527-24	131	471 6754-63	131	471 7826-20	41
471 4636-58	47	471 6527-26	131	471 6754-64	131	471 7826-20	45
471 4639-83	75	471 6527-28	131	471 6860-15	119	471 7826-20	47
471 4639-83	77	471 6527-29	131	471 6860-16	119	471 7826-99	45
471 4639-83	79	471 6527-30	131	471 6860-17	119	471 7855-01	9
471 4640-00	67	471 6527-32	131	471 6860-18	119	471 7855-01	13
471 4640-43	67	471 6527-34	131	471 6860-19	119	471 7858-02	53
471 4640-54	39	471 6527-38	131	471 6860-20	119	471 7858-02	57
471 4640-54	43	471 6531-32	135	471 6870-11	103	471 7858-02	59
471 4640-71	21	471 6536-43	135	471 6900-68	51	471 7858-02	83
471 4640-72	21	471 6536-78	39	471 6900-68	53	471 7858-03	53
471 4640-73	21	471 6536-78	45	471 6900-77	123	471 7858-03	59
471 4640-94	41	471 6600-12	135	471 6900-78	123	471 7858-04	13
471 4640-94	45	471 6600-13	135	471 6900-79	123	471 7858-04	59
471 4640-94	47	471 6606-88	135	471 6900-80	123	471 7858-07	13
471 4641-08	37	471 6653-01	113	471 6900-82	123	471 7859-01	69
471 4641-10	37	471 6653-02	113	471 6900-87	123	471 7859-11	69
471 4641-15	9	471 6653-03	113	471 6901-54	131	471 7963-01	49
471 4641-15	13	471 6653-30	131	471 6903-80	125	471 8109-01	99
471 4641-26	7	471 6653-31	131	471 6903-81	125	471 8116-01	13
471 4641-26	11	471 6653-32	131	471 6903-82	125	471 8116-01	51
471 4641-76	111	471 6654-00	131	471 6903-83	121	471 8116-03	61
471 4647-78	7	471 6654-10	19	471 7110-80	39	471 8116-09	111
471 4647-78	11	471 6654-10	131	471 7119-10	39	471 8126-04	9
471 4647-80	63	471 6654-13	113	471 7253-01	77	471 8126-04	13
471 4647-80	65	471 6654-14	113	471 7253-01	79	471 8126-04	51
471 4647-80	75	471 6654-15	113	471 7253-01	105	471 8126-05	83
471 4647-80	77	471 6654-16	113	471 7260-02	101	471 8128-19	59
471 4647-80	79	471 6654-20	113	471 7468-01	133	471 8128-21	53
471 4647-80	97	471 6654-22	113	471 7607-01	41	471 8128-21	57
471 4647-82	51	471 6654-28	113	471 7607-02	41	471 8128-31	53
471 4647-83	53	471 6664-33	11	471 7607-03	41	471 8128-31	57
471 4647-83	67	471 6666-96	131	471 7607-04	41	471 8128-31	59
471 4647-83	81	471 6668-98	17	471 7607-05	41	471 8128-41	99
471 4705-02	19	471 6675-23	113	471 7607-06	41	471 8155-02	17
471 4722-03	19	471 6684-49	127	471 7607-07	41	471 8159-01	63
471 4782-39	19	471 6684-80	127	471 7607-08	41	471 8159-01	65
471 4782-79	19	471 6684-80	129	471 7607-09	41	471 8164-01	61
471 4782-81	19	471 6684-81	127	471 7607-10	41	471 8174-02	41
471 4782-85	19	471 6684-81	129	471 7608-01	41	471 8174-02	45
471 4783-01	49	471 6684-82	127	471 7608-02	41	471 8174-02	61
471 4783-08	49	471 6684-82	129	471 7608-03	41	471 8176-02	7
471 4792-01	115	471 6684-83	127	471 7608-04	41	471 8176-02	11
471 4792-01	117	471 6684-83	129	471 7608-05	41	471 8192-01	13
471 4792-01	119	471 6684-84	127	471 7608-06	41	471 8210-31	51
471 4835-01	53	471 6684-84	129	471 7608-07	41	471 8210-32	51
471 4835-02	51	471 6684-85	127	471 7608-08	41	471 8210-51	53
471 4878-84	47	471 6684-86	127	471 7608-09	41	471 8210-51	57
471 5511-01	35	471 6684-87	127	471 7608-10	41	471 8210-51	83
471 5516-00	35	471 6684-87	129	471 7609-01	41	471 8210-52	53

Numerical index/Numerical index

Art.No/Réf. article	Page/Page	Art.No/Réf. article	Page/Page	Art.No/Réf. article	Page/Page	Art.No/Réf. article	Page/Page
471 8210-52	57	471 8271-02	77	471 8634-05	61	471 9006-61	69
471 8210-52	83	471 8271-02	79	471 8636-01	7	471 9008-30	131
471 8210-90	51	471 8300-09	69	471 8643-01	61	471 9008-98	39
471 8210-90	53	471 8302-01	7	471 8649-01	53	471 9008-98	43
471 8210-90	57	471 8302-01	11	471 8649-01	57	471 9009-38	51
471 8210-90	83	471 8319-01	29	471 8651-50	13	471 9009-38	111
471 8222-01	53	471 8319-01	31	471 8656-02	13	471 9010-73	51
471 8234-01	115	471 8340-12	13	471 8657-05	59	471 9010-73	111
471 8234-02	51	471 8341-11	19	471 8657-06	57	471 9015-65	131
471 8234-02	53	471 8502-05	69	471 8657-06	59	471 9017-11	137
471 8234-02	57	471 8502-05	73	471 8690-22	65	471 9017-12	131
471 8234-02	59	471 8517-01	61	471 8690-22	99	471 9018-51	111
471 8234-02	115	471 8519-01	29	471 8702-00	39	471 9018-59	21
471 8234-04	115	471 8519-01	31	471 8702-01	67	471 9019-34	55
471 8234-05	51	471 8519-02	29	471 8721-01	77	471 9019-34	63
471 8234-05	53	471 8519-02	31	471 8721-01	79	471 9019-34	99
471 8234-05	57	471 8519-03	29	471 8721-01	105	471 9019-34	111
471 8234-05	59	471 8519-03	31	471 8733-10	47	471 9027-86	39
471 8234-05	115	471 8519-04	29	471 8750-12	39	471 9027-86	43
471 8234-08	115	471 8519-04	31	471 8750-12	43	471 9027-86	47
471 8234-09	115	471 8519-05	31	471 8750-12	47	471 9030-35	55
471 8234-92	115	471 8519-06	29	471 8751-01	73	471 9030-35	57
471 8234-92	117	471 8519-06	31	471 8751-01	99	471 9037-49	91
471 8234-92	119	471 8551-04	17	471 8751-02	85	471 9037-73	59
471 8234-94	115	471 8552-00	17	471 8751-25	73	471 9041-80	51
471 8234-94	117	471 8575-00	63	471 8751-25	99	471 9041-80	53
471 8234-94	119	471 8575-00	65	471 8751-26	85	471 9041-80	121
471 8234-95	115	471 8576-01	61	471 8751-51	73	471 9042-46	125
471 8234-95	117	471 8576-03	15	471 8751-51	99	471 9043-01	31
471 8234-95	119	471 8576-04	15	471 8751-52	85	471 9043-03	75
471 8234-96	115	471 8577-02	61	471 8751-76	85	471 9043-03	125
471 8234-96	117	471 8601-00	79	471 8751-77	73	471 9043-04	67
471 8234-96	119	471 8603-01	51	471 8753-20	99	471 9043-04	77
471 8234-97	117	471 8603-11	53	471 8775-02	29	471 9043-04	79
471 8234-98	115	471 8603-11	57	471 8775-03	31	471 9043-04	81
471 8234-98	117	471 8603-11	59	471 8775-04	31	471 9043-04	97
471 8234-98	119	471 8603-11	83	471 8776-01	31	471 9043-04	99
471 8235-01	61	471 8604-01	53	471 8780-37	67	471 9043-04	125
471 8235-01	117	471 8604-01	57	471 8780-37	69	471 9044-83	131
471 8235-02	117	471 8604-01	59	471 8800-05	69	471 9044-86	131
471 8235-03	117	471 8604-01	83	471 8804-02	19	471 9046-39	75
471 8235-04	117	471 8608-01	51	471 8804-51	19	471 9054-29	51
471 8235-05	117	471 8608-02	51	471 8804-71	19	471 9056-91	39
471 8235-06	117	471 8608-06	59	471 8806-50	41	471 9056-91	45
471 8235-07	117	471 8608-09	59	471 8806-61	7	471 9056-92	39
471 8235-08	117	471 8608-10	59	471 8806-61	11	471 9056-92	45
471 8235-09	61	471 8614-00	51	471 8810-02	19	471 9062-05	121
471 8235-09	117	471 8614-02	53	471 8860-08	39	471 9062-92	67
471 8235-11	117	471 8614-02	57	471 8860-08	43	471 9062-92	75
471 8235-12	117	471 8614-02	59	471 8860-11	39	471 9062-92	81
471 8235-13	117	471 8614-02	61	471 8860-11	43	471 9062-93	53
471 8235-14	117	471 8620-27	53	471 8860-11	73	471 9062-93	63
471 8235-15	117	471 8620-27	57	471 8955-01	19	471 9062-93	67
471 8235-20	117	471 8620-27	59	471 8955-01	41	471 9062-93	77
471 8235-21	117	471 8620-27	83	471 8955-02	45	471 9062-93	79
471 8235-51	119	471 8623-01	13	471 8961-01	19	471 9062-93	81
471 8235-54	119	471 8624-02	83	471 8961-02	45	471 9062-93	97
471 8235-57	119	471 8625-02	17	471 8961-02	131	471 9062-94	51
471 8247-01	111	471 8626-03	77	471 8965-01	45	471 9062-94	67
471 8260-01	103	471 8626-03	79	471 8965-02	45	471 9062-94	75
471 8260-02	103	471 8626-03	97	471 8977-01	47	471 9062-94	77
471 8260-56	103	471 8629-07	53	471 8977-04	47	471 9062-94	79
471 8260-90	103	471 8629-07	57	471 8980-01	133	471 9062-94	81
471 8260-91	103	471 8629-07	83	471 9004-75	23	471 9062-94	97
471 8265-09	99	471 8631-04	61	471 9004-75	33	471 9062-94	99
471 8271-02	75	471 8632-05	61	471 9004-75	99	471 9063-05	61

Numerical index/Numerical index

Art.No/Réf. article	Page/Page	Art.No/Réf. article	Page/Page	Art.No/Réf. article	Page/Page	Art.No/Réf. article	Page/Page
471 9063-58	81	471 9223-94	129	471 9581-05	95	472 6837-01	53
471 9065-37	63	471 9224-60	21	471 9581-06	95	472 6837-01	57
471 9065-37	65	471 9226-04	51	471 9604-00	39	472 6837-01	83
471 9067-46	67	471 9226-04	67	471 9604-00	45	472 6838-01	53
471 9067-46	77	471 9226-04	81	471 9604-00	47	472 6838-01	57
471 9067-46	79	471 9226-65	41	471 9604-03	39	472 6838-01	59
471 9067-46	81	471 9226-65	45	471 9604-03	45	472 6839-01	53
471 9067-46	97	471 9226-66	41	471 9604-03	47	472 6839-01	57
471 9067-46	125	471 9226-66	45	471 9606-00	39	472 6839-01	59
471 9069-87	37	471 9226-67	41	471 9606-01	39	472 6840-01	13
471 9073-59	7	471 9226-67	45	471 9625-02	137	472 6840-02	89
471 9073-59	11	471 9226-68	41	471 9626-50	137	472 6841-01	13
471 9073-59	75	471 9226-68	45	471 9628-08	19	472 6842-01	13
471 9073-59	77	471 9226-97	39	471 9628-18	19	472 6843-01	11
471 9073-59	79	471 9226-97	43	471 9628-95	19	472 6844-01	13
471 9073-59	99	471 9226-97	69	471 9651-50	39	472 6845-01	67
471 9075-57	61	471 9226-97	89	471 9651-50	43	472 6846-01	67
471 9076-01	29	471 9226-97	99	471 9653-03	47	472 6847-01	67
471 9088-98	47	471 9228-03	51	471 9737-01	23	472 6847-03	43
471 9096-01	99	471 9228-03	53	471 9737-01	127	472 6847-03	47
471 9096-02	99	471 9228-03	59	471 9737-02	23	472 6848-01	67
471 9100-00	137	471 9228-37	23	471 9737-02	129	472 6848-02	43
471 9100-49	51	471 9228-37	127	471 9750-01	85	472 6848-02	45
471 9102-53	137	471 9228-38	23	471 9750-03	85	472 6848-02	47
471 9103-08	39	471 9228-38	127	471 9750-10	87	472 6848-03	43
471 9200-78	131	471 9228-39	23	471 9750-11	87	472 6849-01	67
471 9202-12	27	471 9228-39	129	471 9750-98	87	472 6850-01	67
471 9202-32	67	471 9228-40	23	471 9750-99	87	472 6850-02	67
471 9202-32	81	471 9228-40	129	471 9809-04	69	472 6851-01	45
471 9202-32	123	471 9228-41	51	472 5756-01	49	472 6851-03	45
471 9202-33	67	471 9228-49	21	472 5756-08	49	472 6851-03	47
471 9202-33	81	471 9228-69	111	472 6024-00	53	472 6852-02	77
471 9202-33	123	471 9228-97	35	472 6025-00	53	472 6852-02	79
471 9204-93	7	471 9228-98	35	472 6030-01	61	472 6852-04	77
471 9204-93	11	471 9529-03	49	472 6079-00	19	472 6852-04	79
471 9207-07	131	471 9529-10	49	472 6373-01	99	472 6852-04	105
471 9207-08	131	471 9533-02	133	472 6385-01	109	472 6853-01	45
471 9209-24	35	471 9550-05	39	472 6385-02	109	472 6853-02	91
471 9209-46	53	471 9550-05	45	472 6385-03	109	472 6853-03	91
471 9209-74	51	471 9550-05	47	472 6385-04	109	472 6853-04	45
471 9214-69	75	471 9550-15	47	472 6385-05	109	472 6853-04	47
471 9214-69	125	471 9552-11	29	472 6385-06	109	472 6853-04	91
471 9214-74	125	471 9552-11	31	472 6385-07	109	472 6854-01	43
471 9219-15	41	471 9552-12	29	472 6390-02	37	472 6855-01	77
471 9219-16	19	471 9552-12	31	472 6810-01	15	472 6855-01	79
471 9219-16	41	471 9552-13	29	472 6812-01	15	472 6855-01	105
471 9219-52	29	471 9552-13	31	472 6814-01	15	472 6857-01	97
471 9219-52	31	471 9557-01	29	472 6817-01	15	472 6891-01	31
471 9219-63	113	471 9557-02	31	472 6818-01	15	472 6892-01	31
471 9219-65	73	471 9557-51	31	472 6818-01	79	472 6893-01	31
471 9219-86	63	471 9557-53	31	472 6819-01	51	472 6902-01	23
471 9219-86	65	471 9577-01	39	472 6824-01	67	472 6902-01	25
471 9219-86	97	471 9577-01	45	472 6825-01	53	472 6902-02	23
471 9219-86	99	471 9577-01	47	472 6825-01	57	472 6902-02	27
471 9219-86	107	471 9578-12	23	472 6825-01	59	472 6902-03	23
471 9221-11	137	471 9578-12	27	472 6826-01	53	472 6902-03	27
471 9221-13	137	471 9578-13	23	472 6826-01	57	472 6903-01	25
471 9221-46	137	471 9578-13	27	472 6826-01	59	472 6903-01	27
471 9223-03	69	471 9578-50	23	472 6827-01	53	472 6904-01	25
471 9223-03	111	471 9581-01	93	472 6827-01	57	472 6904-01	27
471 9223-03	135	471 9581-01	95	472 6827-01	59	472 6904-02	27
471 9223-50	135	471 9581-02	93	472 6830-02	53	472 6907-01	25
471 9223-72	41	471 9581-02	95	472 6830-02	57	472 6907-01	27
471 9223-93	23	471 9581-03	93	472 6830-02	83	472 6908-01	17
471 9223-93	127	471 9581-03	95	472 6833-01	57	472 6909-01	17
471 9223-94	23	471 9581-04	95	472 6835-01	53	472 6910-01	17

Numerical index/Numerical index

Art.No/Réf. article	Page/Page	Art.No/Réf. article	Page/Page	Art.No/Réf. article	Page/Page	Art.No/Réf. article	Page/Page
472 6912-01	29	472 7964-01	107	472 9902-78	85	725 1299-01	33
472 6913-01	29	472 7965-01	107	472 9902-78	93	725 2285-42	69
472 6914-01	23	472 7971-01	13	472 9902-78	95	725 2325-51	17
472 6914-01	29	472 9001-02	69	472 9904-86	33	725 2327-42	35
472 6914-02	23	472 9002-01	69	472 9913-22	13	725 2327-51	69
472 6914-02	29	472 9003-01	73	723 2325-31	69	725 2364-51	69
472 6914-03	23	472 9004-02	73	723 2328-31	69	725 2364-51	73
472 6914-03	31	472 9005-01	69	723 5368-42	77	725 2364-51	89
472 6914-04	23	472 9008-01	73	724 1220-61	33	725 2364-61	53
472 6914-04	31	472 9009-01	69	724 1222-01	39	725 2364-61	57
472 6915-01	29	472 9009-02	69	724 1222-01	43	725 2364-61	59
472 6916-01	17	472 9009-03	69	724 1222-01	47	725 2364-61	107
472 6917-01	17	472 9011-01	73	724 1224-01	49	725 2366-51	13
472 6920-01	7	472 9012-02	73	724 1226-01	89	725 2366-61	9
472 6920-01	11	472 9013-02	73	724 1228-01	81	725 2366-61	13
472 6921-01	7	472 9014-01	69	724 1228-01	137	725 2366-61	37
472 6921-01	11	472 9016-01	73	724 1228-42	45	725 2366-61	51
472 6921-01	15	472 9017-01	73	724 1230-01	33	725 2366-61	69
472 6921-02	11	472 9018-01	73	724 1285-01	33	725 2368-51	7
472 6921-02	15	472 9023-01	69	724 1285-01	71	725 2368-51	11
472 6924-01	17	472 9026-01	69	724 1285-42	61	725 2368-51	31
472 6927-01	17	472 9027-01	69	724 1289-01	13	725 2368-51	53
472 6929-01	17	472 9028-01	73	724 1289-01	23	725 2368-51	57
472 6930-01	17	472 9044-01	69	724 1289-01	41	725 2368-51	59
472 6931-01	17	472 9045-01	69	724 1289-01	45	725 2368-51	69
472 6932-01	17	472 9046-01	73	724 1289-01	47	725 2368-51	83
472 6932-02	17	472 9047-01	73	724 1289-01	67	725 2370-42	77
472 6934-01	17	472 9048-01	73	724 1289-01	77	725 2370-42	79
472 6934-02	17	472 9070-01	65	724 1289-01	79	725 2370-42	105
472 6936-01	17	472 9070-01	99	724 1289-01	81	725 2370-51	103
472 6936-05	17	472 9072-01	65	724 1289-01	99	725 2372-51	67
472 6936-06	17	472 9073-01	65	724 1289-42	9	725 2372-51	111
472 6939-01	23	472 9075-01	65	724 1289-42	27	725 2374-51	39
472 6939-01	27	472 9076-01	65	724 1289-42	61	725 2374-51	43
472 6940-01	23	472 9093-01	99	724 1289-42	73	725 2374-51	47
472 6940-01	27	472 9097-02	99	724 1289-42	99	725 2374-51	63
472 6943-01	81	472 9099-01	99	724 1293-01	39	725 2374-51	65
472 6943-02	81	472 9201-01	59	724 1293-01	69	725 2449-51	51
472 6945-01	9	472 9204-01	99	724 1293-01	73	725 2449-51	69
472 6945-01	11	472 9205-02	99	724 1293-01	99	725 2449-51	73
472 6946-01	7	472 9207-02	99	724 1293-40	45	725 2451-42	17
472 6946-01	11	472 9764-01	33	724 1293-42	47	725 2451-51	111
472 6946-01	75	472 9818-01	71	724 1295-01	33	725 2453-51	99
472 6950-01	7	472 9835-01	45	724 1303-01	69	725 2455-51	63
472 6950-01	11	472 9900-27	133	724 1321-42	7	725 2455-51	69
472 6951-01	7	472 9900-28	133	724 1321-42	11	725 2455-51	107
472 6951-01	11	472 9900-29	133	724 1323-01	23	725 2459-51	29
472 6952-01	63	472 9900-30	133	724 1323-01	27	725 2459-51	99
472 6952-01	65	472 9900-31	133	724 1323-42	61	725 2459-51	129
472 6954-01	17	472 9900-52	133	724 1327-01	67	725 2461-51	65
472 6969-01	51	472 9900-53	133	724 1327-01	97	725 2463-51	23
472 6983-01	97	472 9900-54	133	724 1327-01	99	725 2466-51	9
472 6983-02	97	472 9900-76	133	724 1327-42	137	725 2466-51	13
472 6983-03	99	472 9901-06	7	724 1329-01	41	725 2466-51	37
472 7206-01	53	472 9901-06	11	724 1331-42	61	725 2466-51	77
472 7206-01	57	472 9901-99*	39	724 1335-01	61	725 2466-51	79
472 7206-01	59	472 9901-99*	45	724 1335-01	69	725 2471-51	137
472 7945-01	13	472 9902-77	39	724 1337-01	37	725 2491-51	17
472 7946-01	23	472 9902-77	43	724 1368-42	45	725 2491-51	29
472 7946-01	33	472 9902-77	47	724 1368-42	49	725 2491-51	31
472 7947-01	33	472 9902-77	85	724 1368-42	105	725 2497-51	25
472 7948-01	33	472 9902-77	93	724 3287-01	41	725 2497-51	27
472 7949-01	33	472 9902-77	95	724 3287-01	45	725 2499-51	127
472 7950-01	33	472 9902-78	39	724 3289-01	47	725 2507-51	7
472 7956-01	77	472 9902-78	43	724 3295-61	27	725 2507-51	11
472 7956-01	79	472 9902-78	47	724 5368-42	79	725 2540-51	31

Numerical index/Numerical index

Art.No/Réf. article	Page/Page	Art.No/Réf. article	Page/Page	Art.No/Réf. article	Page/Page	Art.No/Réf. article	Page/Page
725 2540-51	75	731 2316-01	53	734 1124-01	33	736 2837-51	73
725 2540-51	77	731 2316-01	57	734 1124-01	89	736 2837-51	99
725 2540-51	79	731 2316-01	59	734 1136-01	13	736 2837-51	111
725 2542-42	35	731 2316-01	73	734 1136-01	85	736 2840-51	7
725 2558-51	77	731 2316-01	77	734 1146-01	61	736 2840-51	11
725 2558-51	79	731 2316-01	79	734 1146-01	93	736 2840-51	53
725 2624-51	21	731 2316-01	83	734 1146-01	95	736 2840-51	57
725 2628-51	7	731 2316-01	103	734 1153-01	53	736 2840-51	59
725 2628-51	11	731 2316-01	105	734 1153-01	57	736 2840-51	61
725 2628-51	29	731 2316-42	35	734 1153-01	63	736 2840-51	73
725 2632-51	17	731 2318-01	51	734 1153-01	65	736 2840-51	99
725 2634-51	23	731 2318-01	53	734 1153-01	67	736 2843-51	53
725 2636-51	7	731 2318-01	65	734 1153-01	83	736 2843-51	57
725 2636-51	15	731 2318-01	69	734 1153-01	89	736 2843-51	59
725 2636-51	17	731 2318-01	73	734 1153-01	111	736 2849-51	9
725 2640-51	25	731 2318-40	7	734 1153-09	13	736 2849-51	13
725 2640-51	27	731 2318-42	61	734 1153-09	35	736 2849-51	51
725 5340-01	61	731 2320-01	25	734 1153-09	69	736 2849-51	63
725 5493-01	7	731 2320-01	27	734 1164-01	9	736 2849-51	65
725 5493-01	11	731 2320-42	35	734 1164-01	13	736 2849-51	73
725 6491-42	17	731 2324-01	21	734 1164-01	23	736 2849-51	107
728 8362-01	17	732 2110-01	33	734 1164-01	29	736 2855-51	63
728 8445-01	35	732 2110-01	39	734 1164-01	53	736 2855-51	65
728 8489-01	23	732 2110-01	43	734 1164-01	69	736 2855-51	99
729 5225-01	43	732 2110-01	45	734 1164-01	99	736 2867-51	63
729 5279-01	39	732 2110-01	47	734 1164-09	17	736 2867-51	65
729 5279-01	43	732 2110-01	89	734 1164-09	61	738 2104-03	25
729 5279-01	73	732 2110-01	137	734 1173-01	25	738 2210-18	31
729 5340-01	99	732 2112-01	9	734 1173-01	27	738 2304-33	27
729 5342-01	39	732 2112-01	23	734 1173-09	17	738 2310-30	127
729 5342-01	43	732 2112-01	27	734 1173-09	61	738 2310-30	129
729 5342-01	47	732 2112-01	33	734 1178-01	65	738 2311-34	31
729 5342-01	67	732 2112-01	69	734 1178-09	61	738 8810-01	17
729 5342-01	69	732 2114-01	41	734 1186-01	17	738 8820-01	127
729 5342-01	73	732 2114-01	69	734 1186-01	25	738 8820-64	129
729 5344-01	43	732 2116-01	33	734 1186-01	27	740 4805-03	9
729 5344-01	47	732 2116-01	37	734 1808-51	33	740 4805-03	11
729 5348-01	93	732 2116-01	63	734 1808-51	67	741 3109-21	53
729 5348-01	95	732 2116-01	65	734 1808-51	99	741 3115-11	53
729 5348-04	85	732 2116-01	69	734 1808-51	137	741 3115-11	57
729 5410-01	13	732 2116-01	89	735 3110-21	131	741 4102-20	53
729 5410-01	53	732 2116-01	111	735 3122-00	25	741 4102-20	79
729 5410-01	57	732 2118-01	9	735 3122-00	27	741 4114-20	111
729 5410-01	59	732 2118-01	13	735 3138-10	25	741 5109-25	67
729 7342-01	43	732 2118-01	37	735 3143-10	27	741 5115-00	59
729 9342-61	7	732 2118-01	69	735 3144-00	31	741 5115-00	83
729 9342-61	11	732 2118-01	77	735 3154-11	21	742 1117-20	59
729 9342-61	23	732 2118-01	79	735 3160-10	29	742 5115-11	53
731 1216-01	39	732 2118-01	99	735 3160-10	31	742 5115-11	57
731 2120-01	25	732 2118-01	111	735 3171-10	29	742 5115-11	59
731 2120-01	27	732 2120-01	7	735 3171-10	31	744 3119-06	83
731 2216-01	67	732 2120-01	11	735 3179-00	17	762 1152-10	69
731 2310-01	49	732 2122-01	65	735 3187-10	17	762 1152-10	73
731 2312-01	13	732 2122-01	75	735 9435-01	29	762 1182-10	43
731 2312-01	41	732 2122-01	77	735 9435-01	31	762 1182-10	47
731 2312-01	45	732 2122-01	79	735 9561-00	29	762 1182-10	81
731 2312-01	47	732 2124-01	7	735 9561-00	31	762 1209-10	13
731 2312-42	73	732 2124-01	15	736 2816-51	13	762 1209-10	41
731 2312-42	99	732 2124-01	23	736 2816-51	61	762 1209-10	43
731 2314-01	37	732 2124-01	25	736 2819-51	53	762 1209-10	49
731 2314-42	35	732 2124-01	27	736 2819-51	57	762 1209-10	53
731 2314-92	61	732 2124-01	31	736 2819-51	59	762 1209-10	57
731 2316-01	11	732 2312-42	61	736 2825-51	61	762 1209-10	67
731 2316-01	13	732 3116-14	35	736 2828-51	51	762 1209-10	81
731 2316-01	43	732 9809-13	99	736 2828-51	73	762 2111-05	77
731 2316-01	47	733 1842-51	69	736 2831-51	51	762 2111-05	79

Numerical index/Numerical index

Art.No/Réf. article	Page/Page	Art.No/Réf. article	Page/Page	Art.No/Réf. article	Page/Page	Art.No/Réf. article	Page/Page
762 2111-05	105	885 4158-00	69				
762 2114-05	67	988 0111-03	79				
762 2114-05	69	988 0111-04	79				
762 7102-05	45	988 8010-03	89				
762 7102-05	67	988 8010-04	91				
762 7103-92	69	988 8010-06	107				
762 7104-92	69	988 8011-01	77				
762 7105-80	41	988 8011-02	77				
762 7105-80	69	988 8011-05	105				
762 7105-92	69	988 8011-06	105				
762 7110-80	69	988 8011-09	77				
762 7111-10	69	988 8012-01	97				
762 7116-90	45	988 8012-02	97				
762 7116-90	67	988 8012-03	97				
762 7117-10	47	988 8012-04	97				
762 7120-90	67	988 8012-09	99				
762 7121-80	45	988 8012-11	97				
762 7121-80	67	988 8012-13	97				
762 7137-90	43	988 8012-14	97				
762 7137-90	47	988 8012-17	97				
762 7137-90	67	988 8013-01	87				
762 7145-90	67	988 8013-03	87				
762 7146-90	69	988 8013-08	87				
762 7202-57	23	988 8013-09	87				
762 7212-55	39	988 8014-01	103				
762 7212-57	81	988 8014-03	103				
762 7412-57	23	988 8015-01	109				
762 9105-05	33	988 8016-01	95				
762 9105-05	99	988 8016-02	95				
762 9163-60	99	988 8016-03	95				
763 1101-03	45	988 8016-04	95				
763 1802-01	45	988 8016-09	95				
767 5101-20	43	988 8016-10	95				
767 5101-20	47	988 8016-11	95				
767 5101-92	45	988 8017-01	83				
767 5102-20	43	988 8017-02	83				
767 5102-20	47						
767 5102-92	45						
767 5103-66	69						
767 5111-10	39						
767 5112-10	39						
767 5121-00	39						
767 5121-00	43						
767 5122-00	39						
767 5122-00	43						
767 5122-00	69						
767 5122-00	99						
767 5131-00	39						
767 5131-00	43						
767 5131-00	77						
767 5131-00	79						
767 5131-00	105						
767 5131-10	39						
767 5132-00	39						
767 5132-00	43						
767 5132-00	77						
767 5132-00	79						
767 5132-00	105						
767 5132-10	39						
767 5151-00	39						
767 5151-00	43						
767 5152-00	39						
767 5152-00	43						
874 6611-00	103						
874 6611-01	29						
874 7601-08	17						

Numerical index/Numerical index

Art.No/Réf. article Page/Page Art.No/Réf. article Page/Page Art.No/Réf. article Page/Page Art.No/Réf. article Page/Page

--	--	--	--

## **WASCOMAT**

461 Doughty Blvd., Inwood, L.I., N.Y. 11096-0338

Telephone: 516-371-4400

Parts and Service FAX: 516-371-4029

Sales and Administration FAX: 516-371-4204