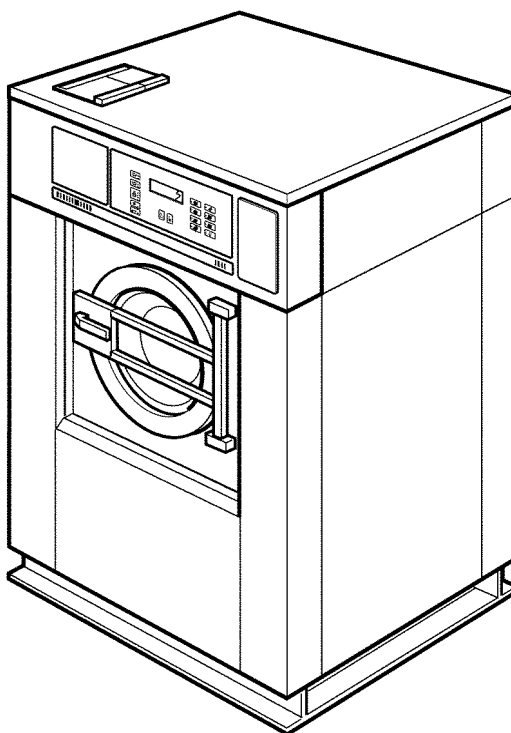


**WASCOMAT**

Spare Parts Catalogue

Catalogue de pièces de rechange

---



EX30S,EX30

---



## List of issues

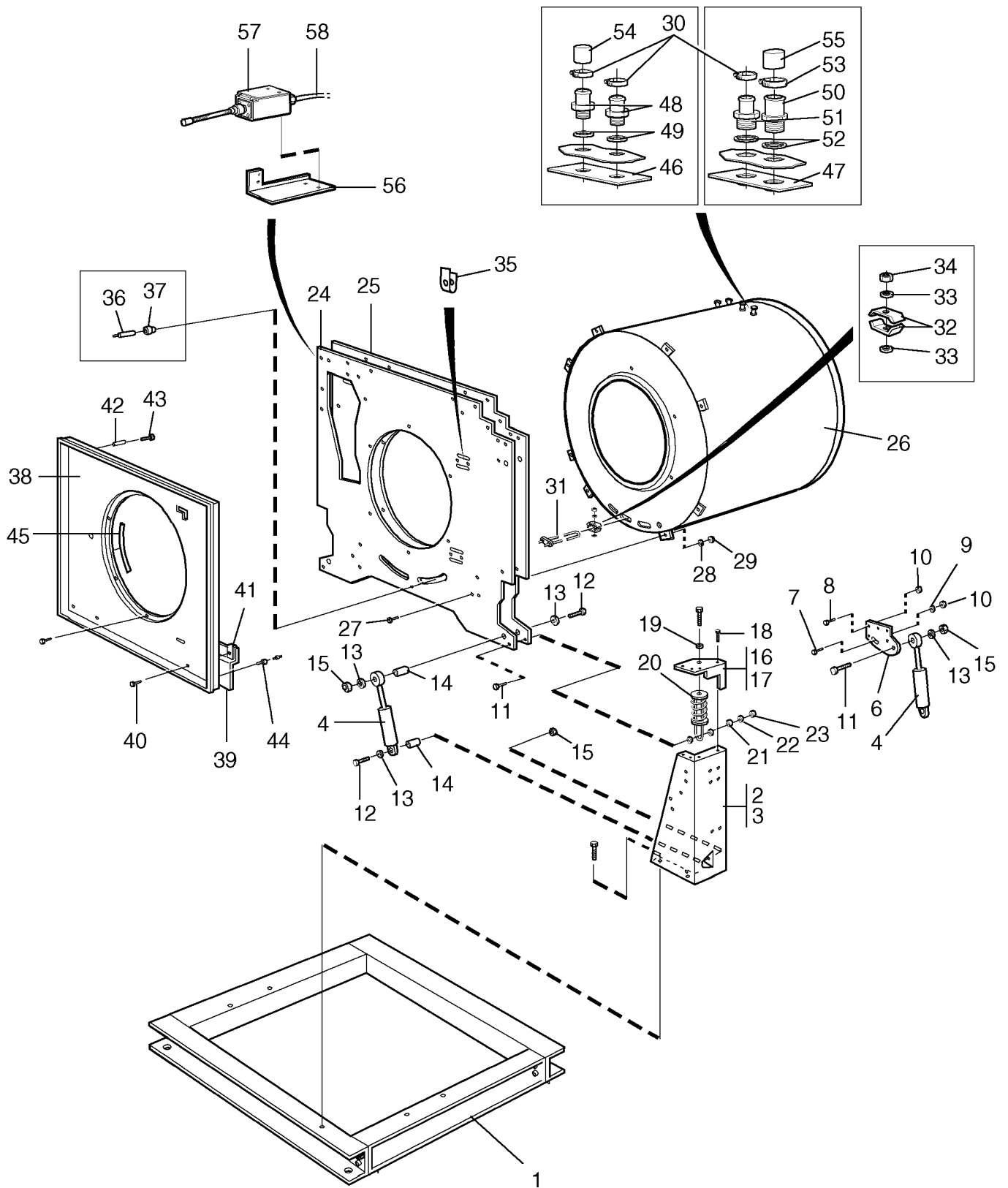
**EX30,EX30 Aqua Clean,EX30 DBS,EX30S,EX30S DBS,EX30S Mop Master**

Illustration	Page	Table of contents
101346	15	Suspension
101356	31	Coin meter components
101398	55	Level tube and test tap
101486	19	Inner drum with balancing
101624	25	Control panel
101627	41	Water connections
101634	33	Control unit
101635	35	Control unit
101636	45	Electric components
101637	49	Door locking device
101638	29	Control panel
101640	47	Door locking system
101641	23	Motor bracket and motors
101642	39	Drain valve and hoses
101643	9	Base and outer drum
101648	13	Lining and top panel
101649	21	Door and hinged joint
101651	43	Electric components
101652	51	Steam components
101653	53	Spray system
101654	27	Control panel
101655	17	Back plate with inner drum
101659	37	Motor control
101666	57	Weighing device



## **EX30,EX30 Aqua Clean,EX30 DBS,EX30S,EX30S DBS,EX30S Mop Master**

Table of contents	Table des matières	Page/Page
Base and outer drum	Base et tambour externe	9
Lining and top panel	Panneau frontal avec pupitre de commande	13
Suspension	Amortisseur	15
Back plate with inner drum	Pignon arrière avec tambour intérieur	17
Inner drum with balancing	Tambour intérieur avec équilibrage	19
Door and hinged joint	Assemblage articulé et plaque	21
Motor bracket and motors	Support moteur et moteurs	23
*Control panel	Pupitre de commande	25
Control panel	Pupitre de commande	27
Control panel	Pupitre de commande	29
Coin meter components	Composants monnayeur	31
Control unit	Unité de contrôle	33
Control unit	Unité de contrôle	35
Motor control	Contrôle du moteur	37
Drain valve and hoses	Purgeur et flexible	39
Water connections	Raccords d'eau	41
Electric components	Composants électriques	43
Electric components	Composants électriques	45
Door locking system	Serrure de porte	47
Door locking device	Serrure de porte	49
Steam components	Composant vapeur	51
Spray system	Assemblage articulé et plaque	53
Level tube and test tap	Tuyau de niveau et robinet de test	55
Weighing device	Unité de balance	57



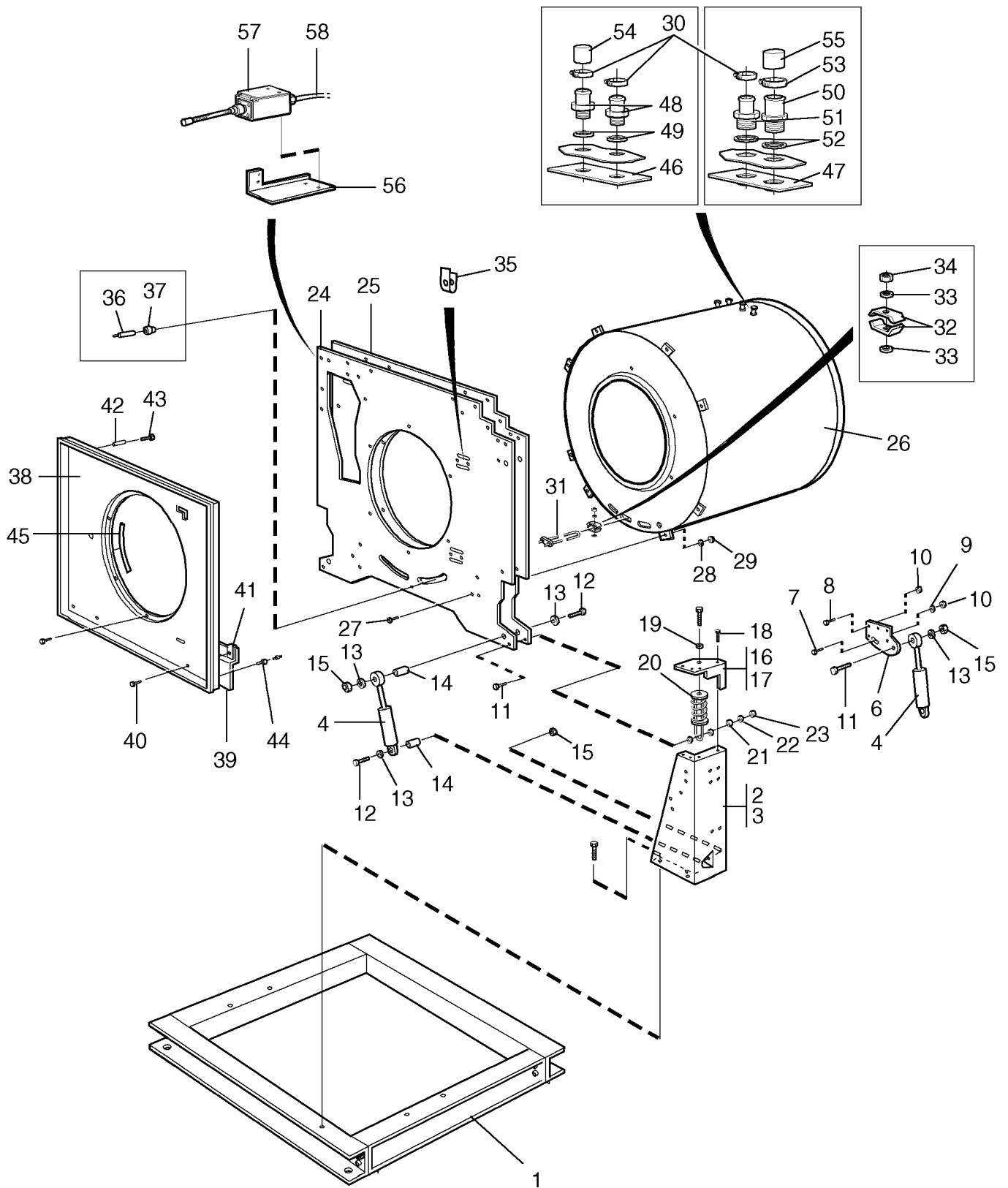
**EX30,EX30 Aqua Clean,EX30 DBS,EX30S,EX30S DBS,EX30S Mop Master**

**Base and outer drum**

Illustration Issue Month Year  
Schéma Issue Month Year  
**101643/4 6 9 2002**

**Base et tambour externe**

Item Article	Quantity Quantité	Art.No Réf. article	Description	Description	Info Info	Notes Remarques
			EX30S,EX30S DBS,EX30S Mop Master			
			EX30,EX30 Aqua Clean,EX30 DBS			
1	1	432 0535-01	Frame	Base		
2	2	472 6457-01	Support leg	Pied de soutien	3	Left
3	2	472 6457-02	Support leg	Pied de soutien	3	Right
4	4	471 8252-05	Shock absorber	Amortisseur	1,2	
5						Not used
6	2	472 6612-04	Bracket	Support de montage	3	
7	10	725 2495-51	Screw	Vis	3	M6S 10X30
8	6	725 2493-51	Screw	Vis	3	M10X25
9	16	734 1173-01	Washer	Rondelle	3	BRB 10,5X21
10	16	732 2120-01	Locking nut	Contre-écrou	3	M10
11	4	725 2501-51	Screw	Vis	3	M10X50
12	8	725 2505-51	Screw	Vis	3	M10X70
13	8	734 1173-01	Washer	Rondelle	3	BRB 10,5X21
14	4	472 6008-01	Spacer	Entretoise	3	
15	13	732 2120-01	Locking nut	Contre-écrou	3	M10
16	2	472 6458-01	Cover	Couvercle	3	Left
17	2	472 6458-02	Cover	Couvercle	3	Right
18	RQ	725 2366-61	Screw	Vis	3	M6SF 6X12
19	4	472 6580-02	Bushing	Douille	3	
20	4		Suspension unit	Organe de suspension	1	See illustr. 101346
21	4	472 6008-02	Spacer	Entretoise	3	
22	8	471 7807-01	Washer	Rondelle	3	28X10,2
23	4	732 2120-01	Locking nut	Contre-écrou	3	M10
24	1	432 0533-01	End piece	Pignon	3	Front
25	1	432 0534-01	End piece	Pignon	3	Rear
26	1	432 0516-01	Outer drum	Extérieur du tambour	1	El.
	1	432 0516-02	Outer drum	Extérieur du tambour	1	Steam
	1	432 0516-03	Outer drum	Tambour extérieur	1	Berendsen Steam
	1	432 0516-04	Outer drum	Extérieur du tambour	1	Berendsen El.
27	8	725 2453-51	Screw	Vis	3	M8X25
28	8	732 2118-01	Locking nut	Contre-écrou	3	M8
29	8	471 8502-06	Washer	Rondelle	3	Ø8,4X16X3
30	3	736 2816-51	Hose clamp	Attache flexible	3	Ø13-19
31	3	471 9811-11	Heating element	Élément chauffant	1,2	230V 4KW
	3	471 9811-13	Heating element	Élément chauffant	1,2	240V 4kW
	3	471 9811-17	Heating element	Élément chauffant	1,2	4KW 277V
	1	471 9803-10	Heating element	Élément chauffant	1,2	4KW 230V MOP
32	6	472 6581-03	Clamp	Attache	3	
	1	438 4277-01	Clamp	Attache	3	MOP
33	6	734 1146-09	Washer	Rondelle	3	BRB 5,3X10
34	3	732 2114-92	Locking nut	Contre-écrou	3	M5
35	4	471 7864-01	Clip	Colliers de serrage	3	M6
36	1	472 9913-22	Sensor	Capteur	1	Complete
37	1	471 8192-01	Bushing	Douille	1	
38	1	472 9141-11	Trim panel	Panneau d'habillage	3	Stainless
	1	472 9141-12	Trim panel	Panneau d'habillage	3	Red
	1	472 9141-13	Trim panel	Panneau d'habillage	3	Blue
39	1	472 6150-01	Cover	Couvercle	1	
40	2	471 8343-22	Screw	Vis		RTS 4,2X9,5
41	2	733 7821-41	Clip	Colliers de serrage	3	
42	4	471 8619-03	Spacer	Entretoise	3	
43	4	471 8344-26	Screw	Vis	3	M5X20
44	4	472 6083-00	Rubber cushion	Butoir en caoutchouc	3	
45	1	471 2076-71	Strip	Ruban	1	L=1100
46	1	472 6502-01	Mounting plate	Plaque de montage	3	
47	1	472 6502-02	Mounting plate	Plaque de montage	3	
48	2	471 9075-57	Connection	Embrayage	3	





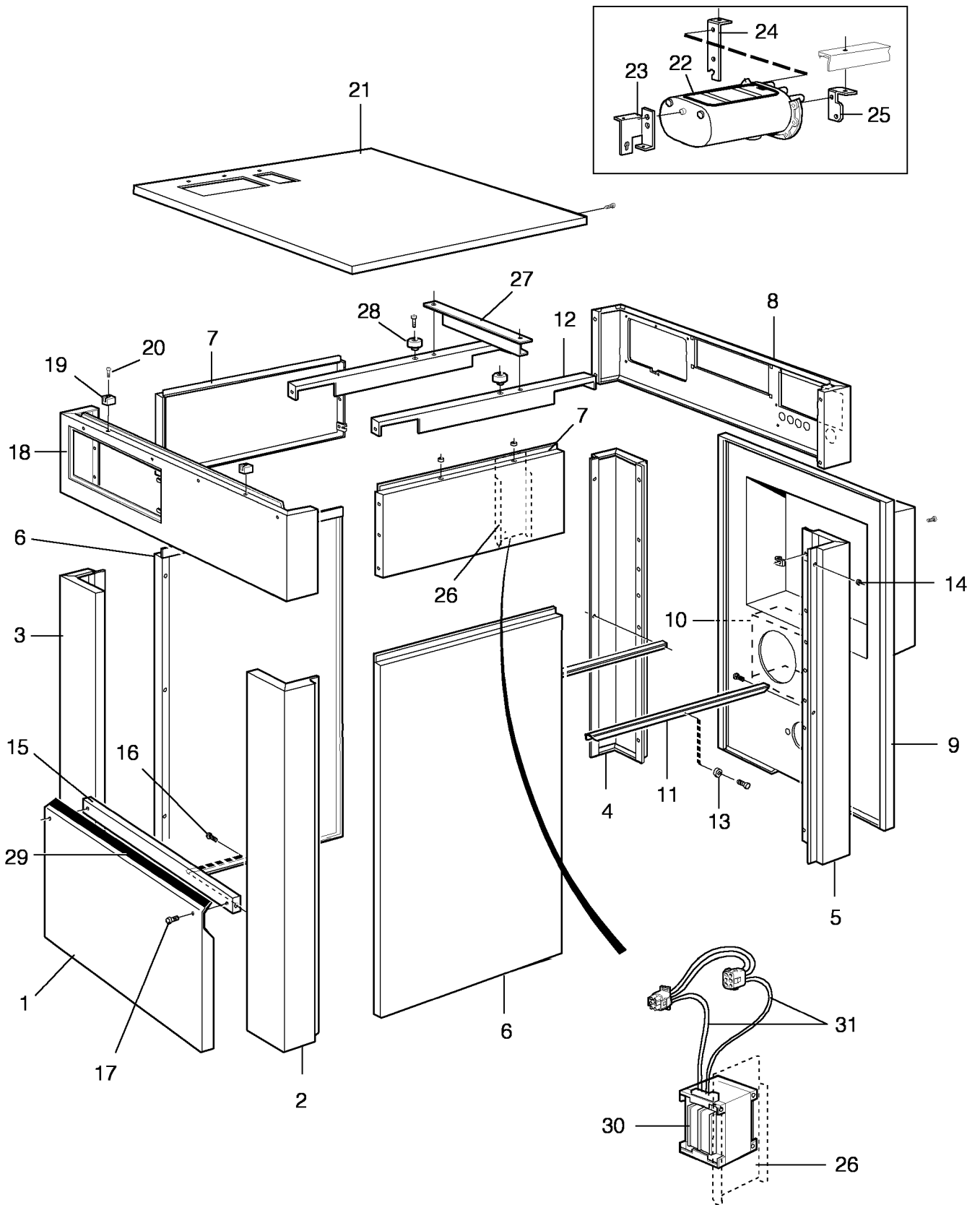
**EX30,EX30 Aqua Clean,EX30 DBS,EX30S,EX30S DBS,EX30S Mop Master**

**Base and outer drum**

Illustration Issue Month Year  
Schéma Issue Month Year  
**101643/4 6 9 2002**

**Base et tambour externe**

Item Article	Quantity Quantité	Art.No Réf. article	Description	Description	Info Info	Notes Remarques
			EX30S,EX30S DBS,EX30S Mop Master			
			EX30,EX30 Aqua Clean,EX30 DBS			
<b>49</b>	2 2	<b>734 1178-09</b>	Washer	Rondelle	3	BRB 13X24
<b>50</b>	1 1	<b>471 8614-04</b>	Hose nipple	Mamelon de flexible	3	
<b>51</b>	1 1	<b>471 8623-01</b>	Connection	Embrayage	3	1/2"
<b>52</b>	2 2	<b>471 8159-06</b>	Gasket	Joint	3	
<b>53</b>	1 1	<b>736 2825-51</b>	Hose clamp	Attache flexible	3	Ø32
<b>54</b>	RQ RQ	<b>471 9037-73</b>	Sleeve	Manchon	3	
<b>55</b>	RQ RQ	<b>471 2416-83</b>	Hood	Capot	3	
<b>56</b>	1 1	<b>432 0522-01</b>	Bracket	Pupitre	3	
<b>57</b>	1 1	<b>471 9608-01</b>	Out of balance switch	Commutateur asymétrique	1,2	
<b>58</b>	1 1	<b>432 0550-49</b>	Cable set	Jeu de câbles	3	



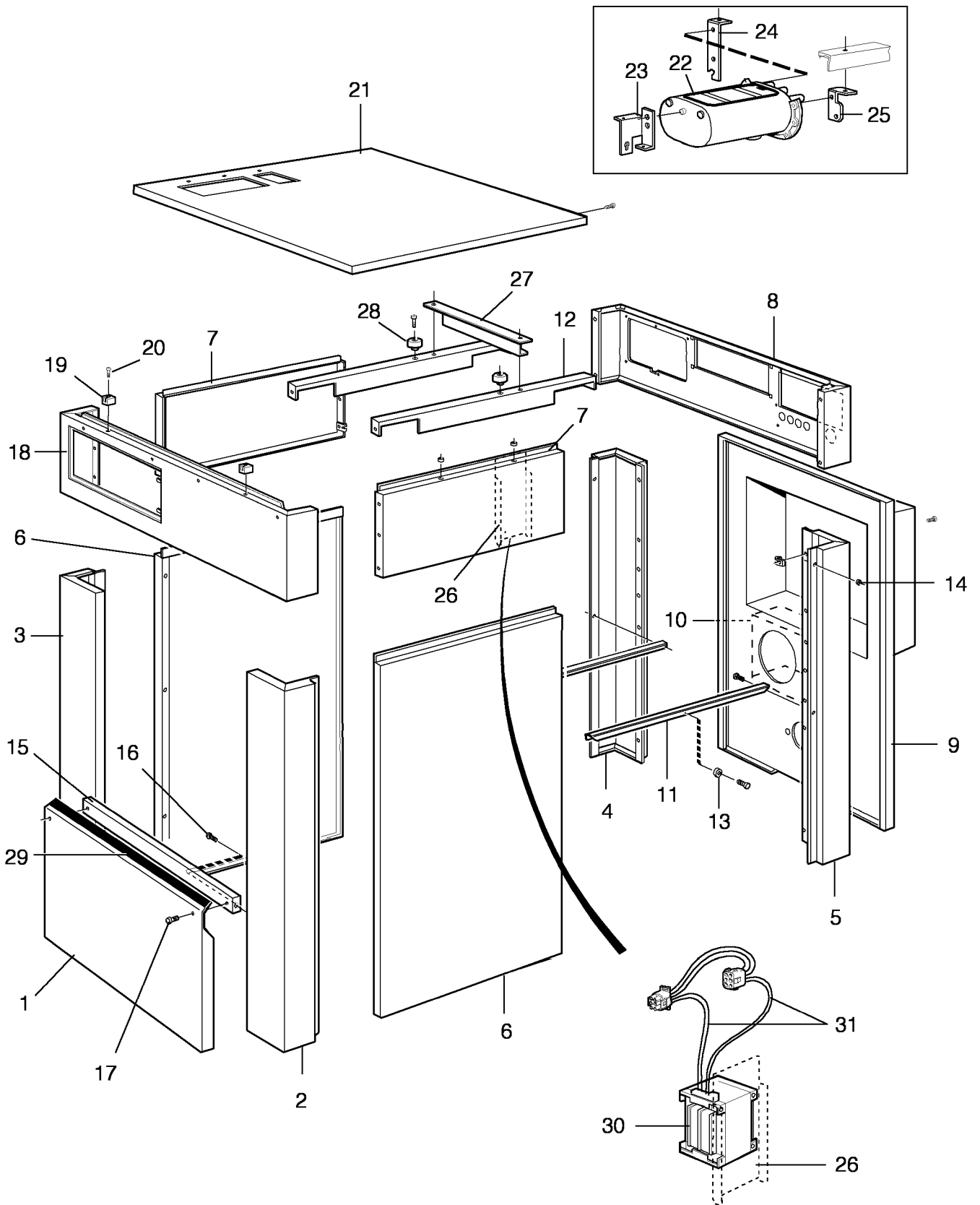
**EX30,EX30 Aqua Clean,EX30 DBS,EX30S,EX30S DBS,EX30S Mop Master**

**Lining and top panel**

Illustration Issue Month Year  
Schéma Issue Month Year  
**101648/2 6 9 2002**

**Panneau frontal avec pupitre de commande**

Item Article	Quantity Quantité	Art.No Réf. article	Description	Description	Info Info	Notes Remarques
			EX30S,EX30S DBS,EX30S Mop Master			
			EX30,EX30 Aqua Clean,EX30 DBS			
1	1	472 9904-55	Front plate	Panneau avant	3	Stainless
	1	472 9904-56	Front plate	Panneau avant	3	Stainless Zanussi
	1	472 9904-57	Front plate	Panneau avant	3	Red
	1	472 9904-58	Front plate	Panneau avant	3	Blue
2	1	472 9146-01	Side post	Montant	1	Front,right,stainless
	1	472 9146-05	Side post	Montant	1	Front,right,red
	1	472 9146-09	Side post	Montant	1	Front,right,blue
3	1	472 9146-02	Side post	Montant	1	Front,left,stainless
	1	472 9146-06	Side post	Montant	1	Front,left,red
	1	472 9146-10	Side post	Montant	1	Front,left,blue
4	1	472 9147-01	Side post	Montant	1	Rear,left,white
	1	472 9147-03	Side post	Montant	1	Rear,left,red
5	1	472 9147-02	Side post	Montant	1	Rear,right,white
	1	472 9147-04	Side post	Montant	1	Rear,right,red
6	2	472 9159-01	Side panel	Panneau latéral	3	White
	2	472 9159-04	Side panel	Panneau latéral	3	Stainless
	2	472 9159-02	Side panel	Panneau latéral	3	Red
	2	472 9159-03	Side panel	Panneau latéral	3	Beige
	1	472 9159-13	Side panel	Panneau latéral	3	White,right,with test tap
	1	472 9159-14	Side panel	Panneau latéral	3	White,left,with test tap
7	2	432 0626-01	Brace bracket	Support de montant	3	White
	2	432 0626-02	Brace bracket	Support de montant	3	Red
	2	432 0626-03	Brace bracket	Support de montant	3	Beige
	2	432 0626-04	Brace bracket	Support de montant	3	Stainless
8	1	432 0628-01	Brace bracket	Support de montant	3	White
	1	432 0628-02	Brace bracket	Support de montant	3	Red
	1	432 0628-03	Brace bracket	Support de montant	3	Beige
9	1	432 0627-03	Rear panel	Panneau arrière	3	EL, H W
	1	432 0627-04	Rear panel	Panneau arrière	3	DS
10	1	438 4268-01	Cover	Couvercle	3	DS
11	2	438 4123-01	Brace	Montant	3	
12	2	432 0625-01	Brace	Montant	3	
13	2	471 8149-01	Rubber buffer	Anneau caoutchouc	3	
14	8	471 8196-01	Plug	Fiche	3	
15	1	438 4269-01	Brace	Montant	3	
16	4	471 8341-44	Screw	Vis	3	MRT 6X12
17	3	471 8344-33	Screw	Vis	3	M6X10
18	1	432 0520-01	Front panel	Panneau avant	3	Black MP
	1	432 0520-02	Front panel	Panneau avant	3	Black FC
	1	432 0520-03	Front panel	Panneau avant	3	Silver
	1	432 0520-04	Front panel	Panneau avant	3	MOP Black
	1	432 0520-05	Front panel	Panneau avant	3	Black
19	2	438 5335-01	Guide	Guide	3	
20	2	471 8341-46	Screw	Vis	3	MRT6X16
21	1	432 0519-01	Top panel	Couvercle	1	Without coin meter
	1	432 0519-02	Top panel	Couvercle	1	With coin meter
	1	432 0519-03	Top panel	Panneau supérieur	1	Liquid, without coin meter
	1	432 0519-04	Top panel	Panneau supérieur	1	Liquid, with coin meter
22	1		Detergent container	Compartiment à savon		1F-2H See group 8802
23	1	432 0630-01	Support	Support	3	
24	1	438 5226-01	Bracket	Support de montage	3	Left
25	1	438 0151-01	Bracket	Support de montage	3	Right
26	1	432 0644-01	Mounting plate	Plaque de montage	3	
27	1	432 0642-01	Brace	Montant	3	
28	2	471 8149-11	Rubber buffer	Anneau caoutchouc	3	
29	1	432 2164-05	Rubber strip	Joint caoutchouc	3	
30	1	471 9550-14	Transformer	Transformateur	1	200V



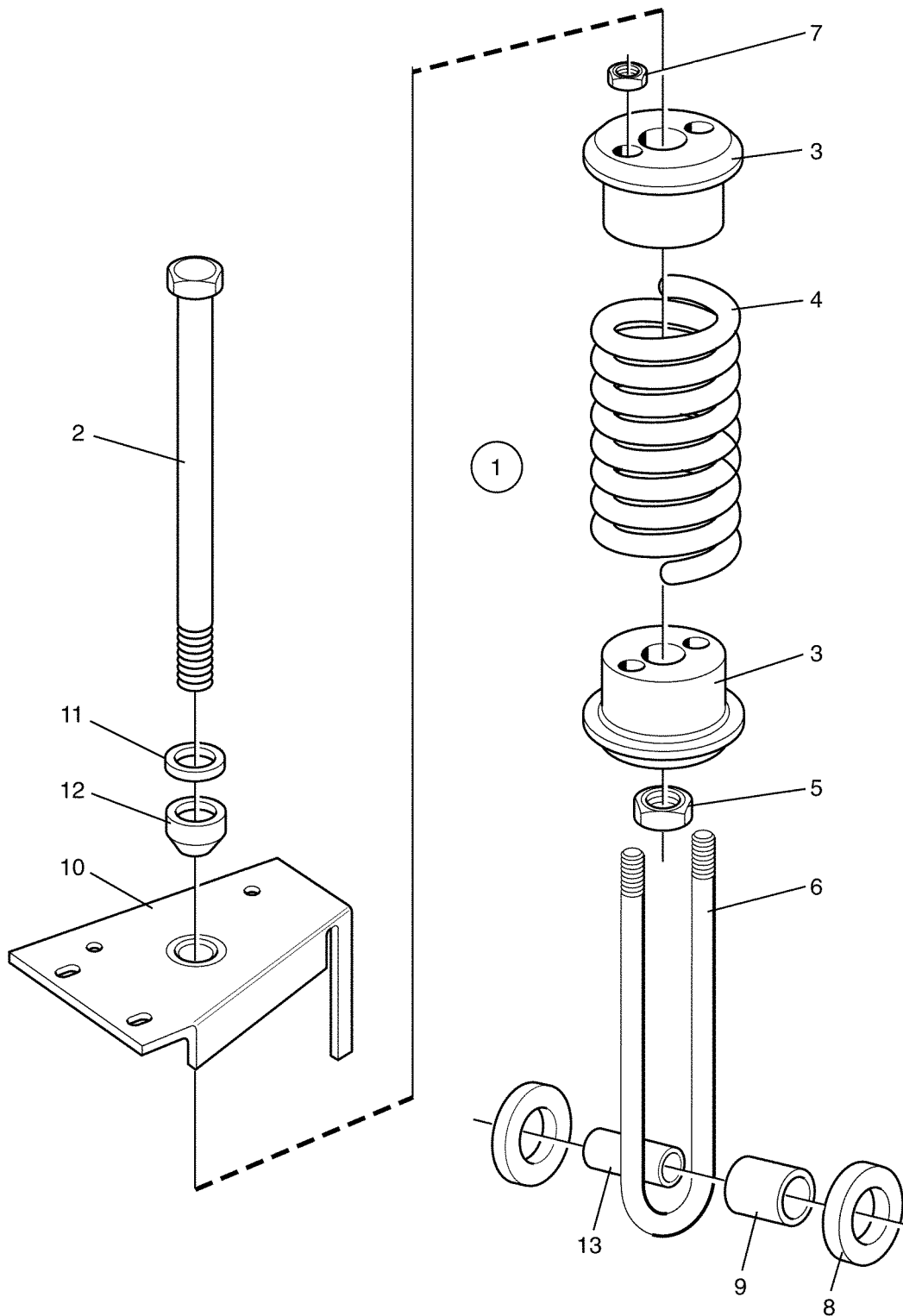
**EX30,EX30 Aqua Clean,EX30 DBS,EX30S,EX30S DBS,EX30S Mop Master**

**Lining and top panel**

**Panneau frontal avec pupitre de commande**

Illustration	Issue	Month	Year
Schéma	Issue	Month	Year
<b>101648/2</b>	<b>6</b>	<b>9</b>	<b>2002</b>

Item Article	Quantity Quantité	Art.No Réf. article	Description	Description	Info Info	Notes Remarques
<b>31</b>	1	1	EX30S,EX30S DBS,EX30S Mop Master EX30,EX30 Aqua Clean,EX30 DBS <b>471 9550-19</b> Transformer	Transformateur	1	346,380,440,480V
	1	1	<b>432 0550-04</b> Cable set	Jeu de câbles	3	



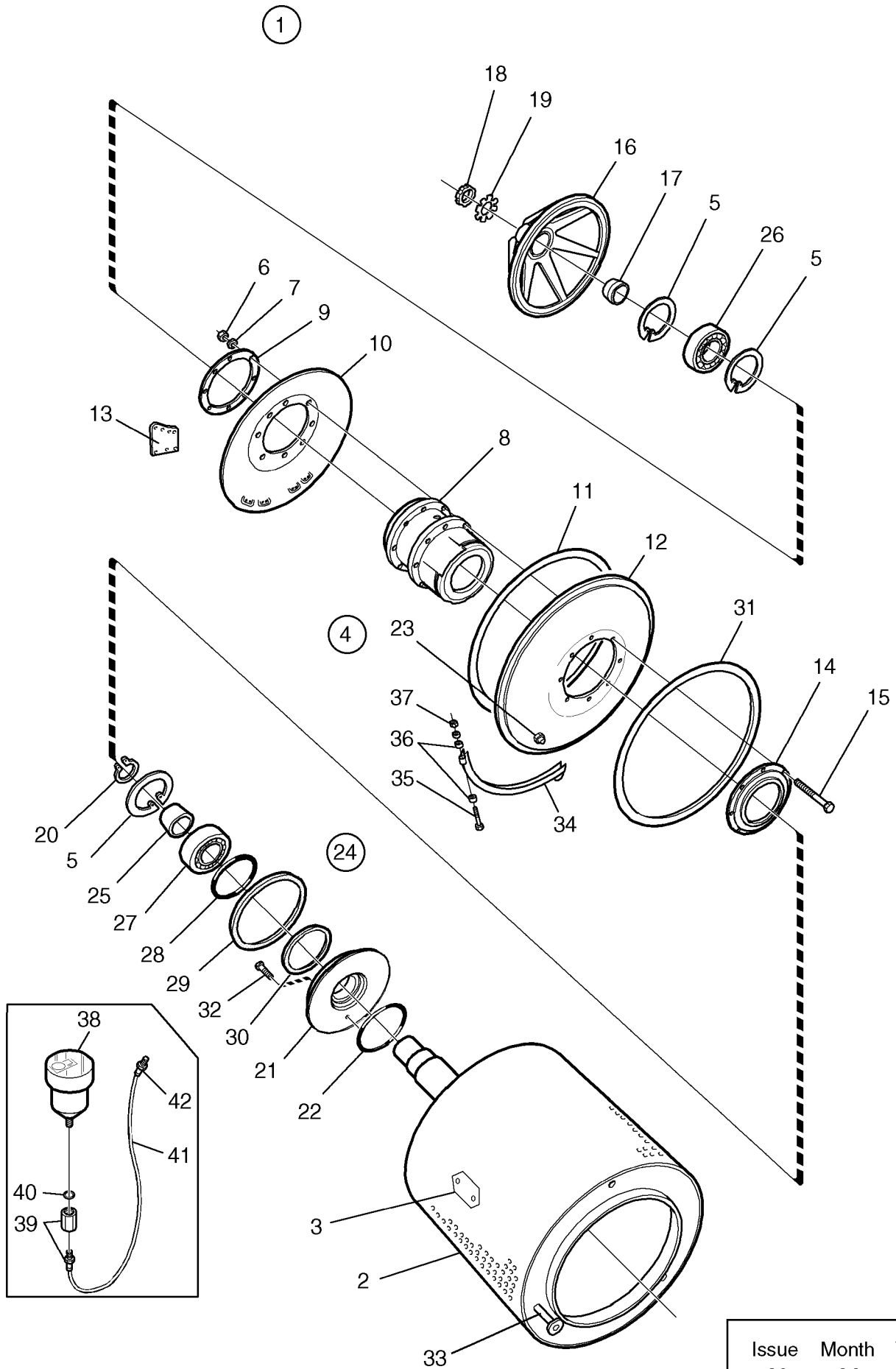
**EX30,EX30 Aqua Clean,EX30 DBS,EX30S,EX30S DBS,EX30S Mop Master**

**Suspension**

Illustration Issue Month Year  
Schéma Issue Month Year  
**101346/1 2 4 2001**

**Amortisseur**

Item Article	Quantity Quantité	Art.No Réf. article	Description	Description	Info Info	Notes Remarques
			EX30S,EX30S DBS,EX30S Mop Master			
			EX30,EX30 Aqua Clean,EX30 DBS			
<b>1</b>	1	<b>472 7661-02</b>	Suspension unit	Organe de suspension	1	Compl.
<b>2</b>	1	<b>471 8356-07</b>	•Screw	•Vis	3	M10x200
<b>3</b>	2	<b>472 6592-02</b>	•Guide bushing	•Douille de contrôle	3	
<b>4</b>	1	<b>471 7816-01</b>	•Spring	•Ressort	3	
<b>5</b>	1	<b>732 2120-01</b>	•Locking nut	•Contre-écrou	3	M10
<b>6</b>	1	<b>471 8308-09</b>	•Clamp	•Bride de fixation	3	
<b>7</b>	2	<b>731 2318-01</b>	•Nut	•Écrou	3	M8
<b>8</b>	2	<b>472 6009-02</b>	•Spacer	•Entretoise	3	
<b>9</b>	1	<b>471 8576-02</b>	•Bushing	•Douille	1	
<b>10</b>	2	<b>472 6458-01</b>	•Cover	•Couvercle	3	Left front and right rear
	2	<b>472 6458-02</b>	•Cover	•Couvercle	3	Right front and left rear
<b>11</b>	1	<b>734 1173-01</b>	•Washer	•Rondelle	3	BRB 10,5X21
<b>12</b>	1	<b>472 6580-02</b>	•Bushing	•Douille	3	
<b>13</b>	1	<b>472 6008-02</b>	Spacer	Entretoise	3	





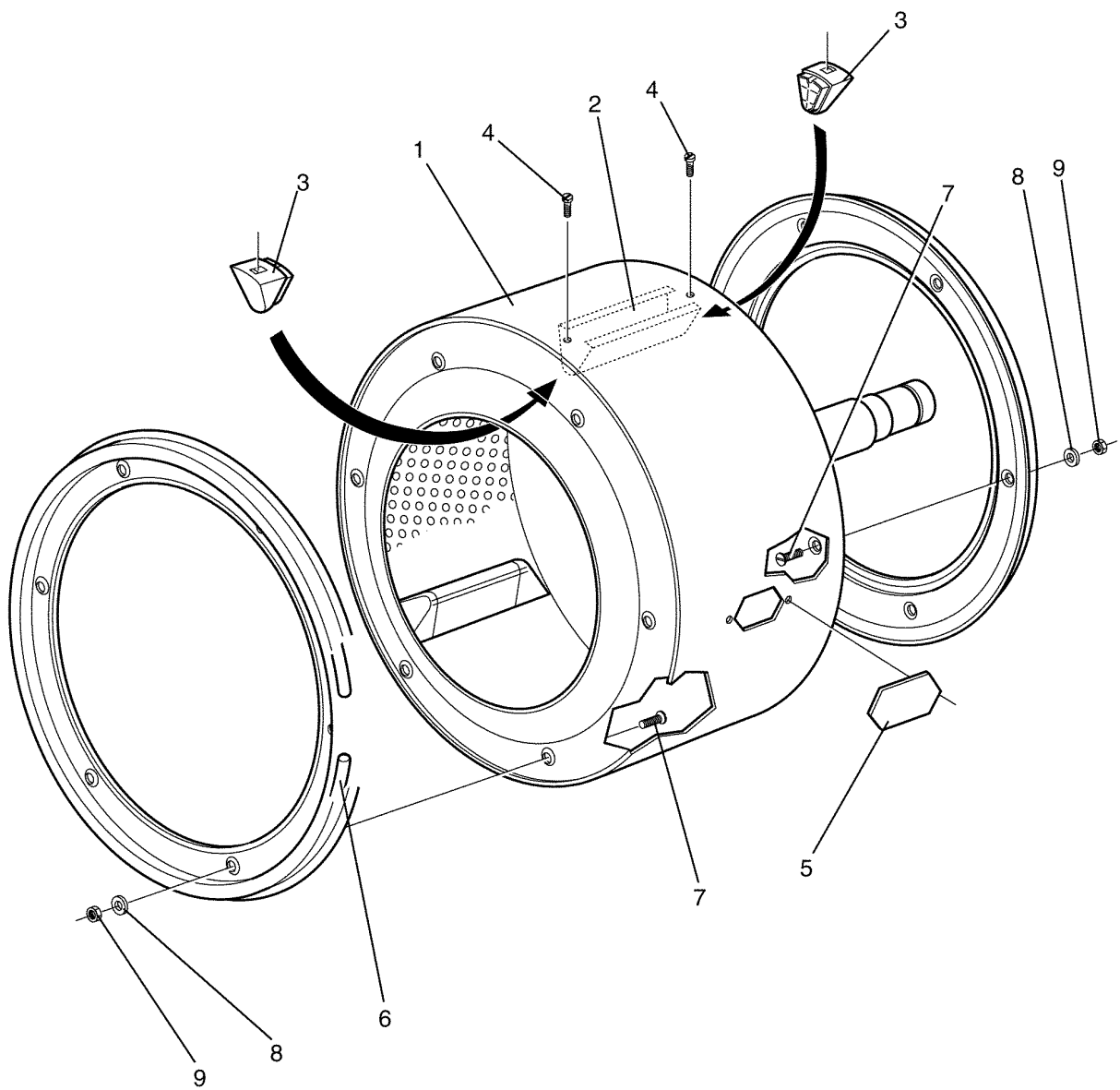
**EX30,EX30 Aqua Clean,EX30 DBS,EX30S,EX30S DBS,EX30S Mop Master**

**Back plate with inner drum**

**Pignon arrière avec tambour intérieur**

Illustration Issue Month Year  
Schéma Issue Month Year  
**101655/3 4 3 2001**

Item Article	Quantity Quantité	Art.No Réf. article	Description	Description	Info Info	Notes Remarques
			EX30S,EX30S DBS,EX30S Mop Master			
			EX30,EX30 Aqua Clean,EX30 DBS			
1	1	472 9912-07	Back plate	Pignon arrière	1	Complete
	1	472 9912-09	Back plate	Pignon arrière	1	MOP MASTER Complete
	1	472 9912-08	Back plate	Pignon arrière	1	DBS
2	1	472 6604-01	•Inner drum	•Intérieur du tambour	1	EI/DS
	1	472 6604-06	•Inner drum	•Intérieur du tambour	1	DBS See illustr. 101486
	1	472 6604-07	•Inner drum	•Intérieur du tambour	1	MOP MASTER
	1	472 6604-03	•Inner drum	•Intérieur du tambour	1	HW
3	1	472 9768-01	•Door	•Plaque	3	
4	1	472 9903-64	•Back plate	•Pignon arrière	1	
5	3	735 3168-10	••C-clamp	••Presse à main	3	SGH110
6	8	732 2120-01	••Locking nut	••Contre-écrou	3	M10
7	8	734 1173-01	••Washer	••Rondelle	3	BRB 10,5X21
8	1		••Bearing housing	••Logement de palier	3	Oil lubrication
9	1		••Washer	••Rondelle	3	
10	1		••Back plate	••Pignon arrière	3	
11	1		••Ring	••Anneau	3	
12	1		••Back plate	••Pignon arrière	3	
13	2		••Bracket	••Support de montage	3	
14	1	472 6609-02	••Hood	••Capot	3	
15	8	725 2521-51	••Screw	••Vis	3	M10X170
16	1	472 6632-03	••Pulley	••Poulie	1	
17	1	471 8551-02	••Sleeve	••Manchon	3	Compl.
18	1		•••Nut	•••Écrou	3	KM10
19	1		•••Lock washer	•••Rondelle d'arrêt	1	
20	1	735 3147-40	••C-clamp	••Presse à main	3	SW60
21	1	472 6644-02	••Bracket	••Pièce de retenue	3	
22	1	472 6511-02	••O-ring	••Joint torique	3	
23	1	741 6113-20	••Hood	••Capot	3	
24	1	472 9901-19	••Repair kit	••Kit reconditionnement	3	
25	1		•••Ring	•••Anneau		
26	1		•••Ball bearing	•••Roulement à billes		
27	1		•••Bearing	•••Coussinet		
28	1		•••O-ring	•••Joint torique		
29	1		•••V-ring	•••Anneau en forme de V		
30	1		•••V-ring	•••Anneau en forme de V		
31	1		•••Seal	•••Joint		
32	1	471 8311-00	••Screw	••Vis	3	M6SFTT 5X16
33	3	471 8310-02	Screw	Vis	3	
34	3	472 6149-05	Tension strap	Extenseur	3	
35	3	471 9222-59	Screw	Vis	3	M8X140
36	6	734 1164-01	Washer	Rondelle	3	8,4X17
37	3	732 2118-01	Locking nut	Contre-écrou	3	M8
38	1	471 8276-02	Pump	Pompe	1,2	
39	1	471 8690-72	Nipple	Raccord	3	Complete
40	1	740 4209-00	O-ring	Joint torique	3	
41	1	471 8139-08	Hose	Flexible	1	L=1100
42	1	471 8688-03	Nipple	Raccord	3	1/8"



101486

Issue	Month	Year
01	09	97

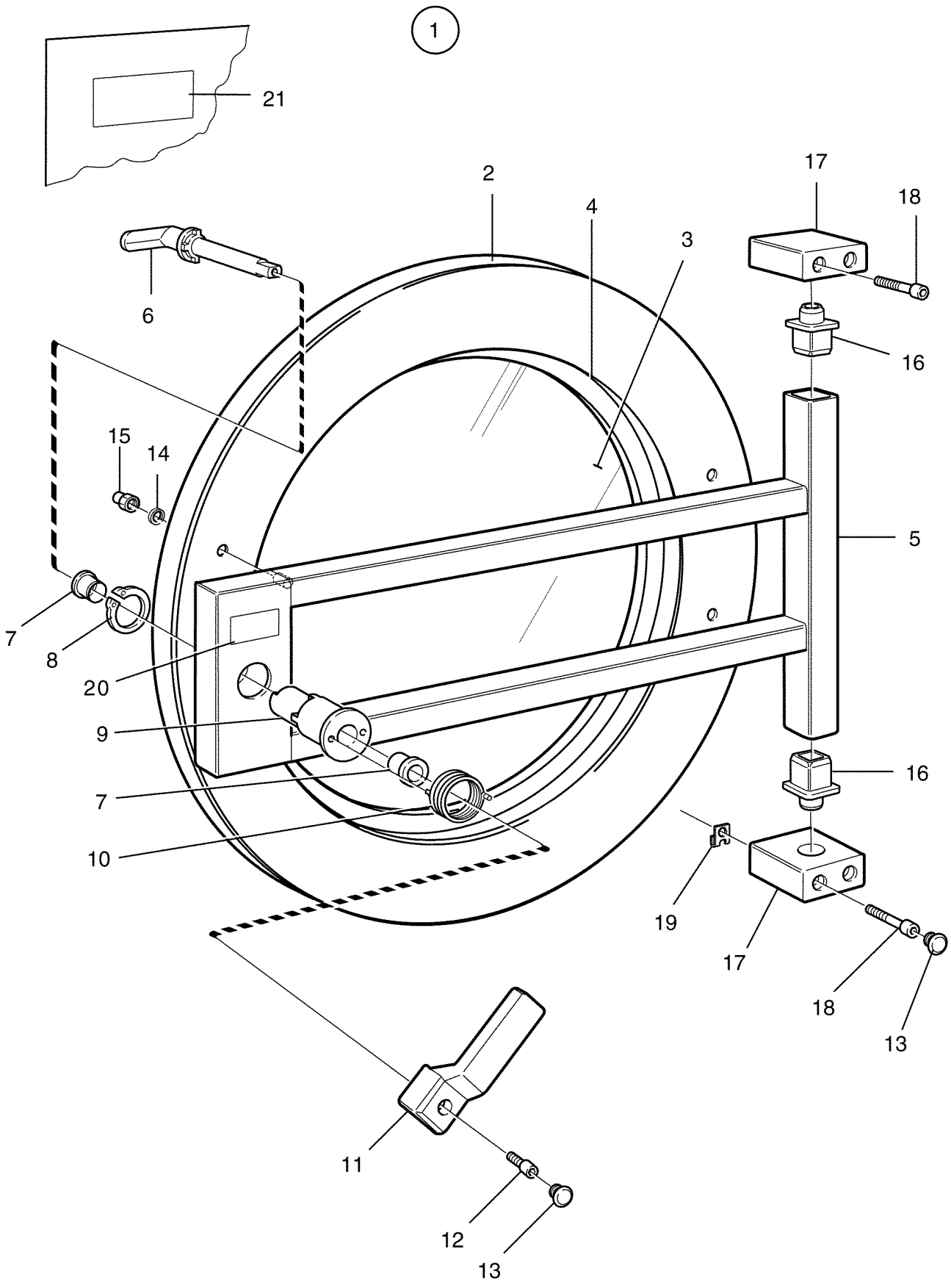
**EX30 DBS,EX30S DBS**

**Inner drum with balancing**

**Tambour intérieur avec équilibrage**

Illustration	Issue	Month	Year
Schéma	Issue	Month	Year
<b>101486</b>	<b>2</b>	<b>9</b>	<b>2002</b>

Item Article	Qua. Qua.	Art.No Réf. article	Description	Description	Info Info	Notes Remarques
<b>1</b>	1	<b>472 6604-06</b>	Inner drum	Intérieur du tambour	1	DBS Compl.
<b>2</b>	3	<b>472 6239-10</b>	•Lifter	•Battoir	3	
<b>3</b>	6	<b>472 6623-01</b>	•End plate	•Panneau arrière	1	
<b>4</b>	6	<b>471 8317-05</b>	•Screw	•Vis	3	
<b>5</b>	1	<b>472 9768-01</b>	•Door	•Plaque	1	
<b>6</b>	2	<b>472 6624-01</b>	•Balance weight	•Contrepoids	1	
<b>7</b>	12	<b>725 6452-42</b>	•Screw	•Vis	3	
<b>8</b>	12	<b>471 8554-01</b>	•Washer	•Rondelle	3	
<b>9</b>	12	<b>731 2318-42</b>	•Nut	•Écrou	3	M8SS



Issue	Month	Year
01	09	98

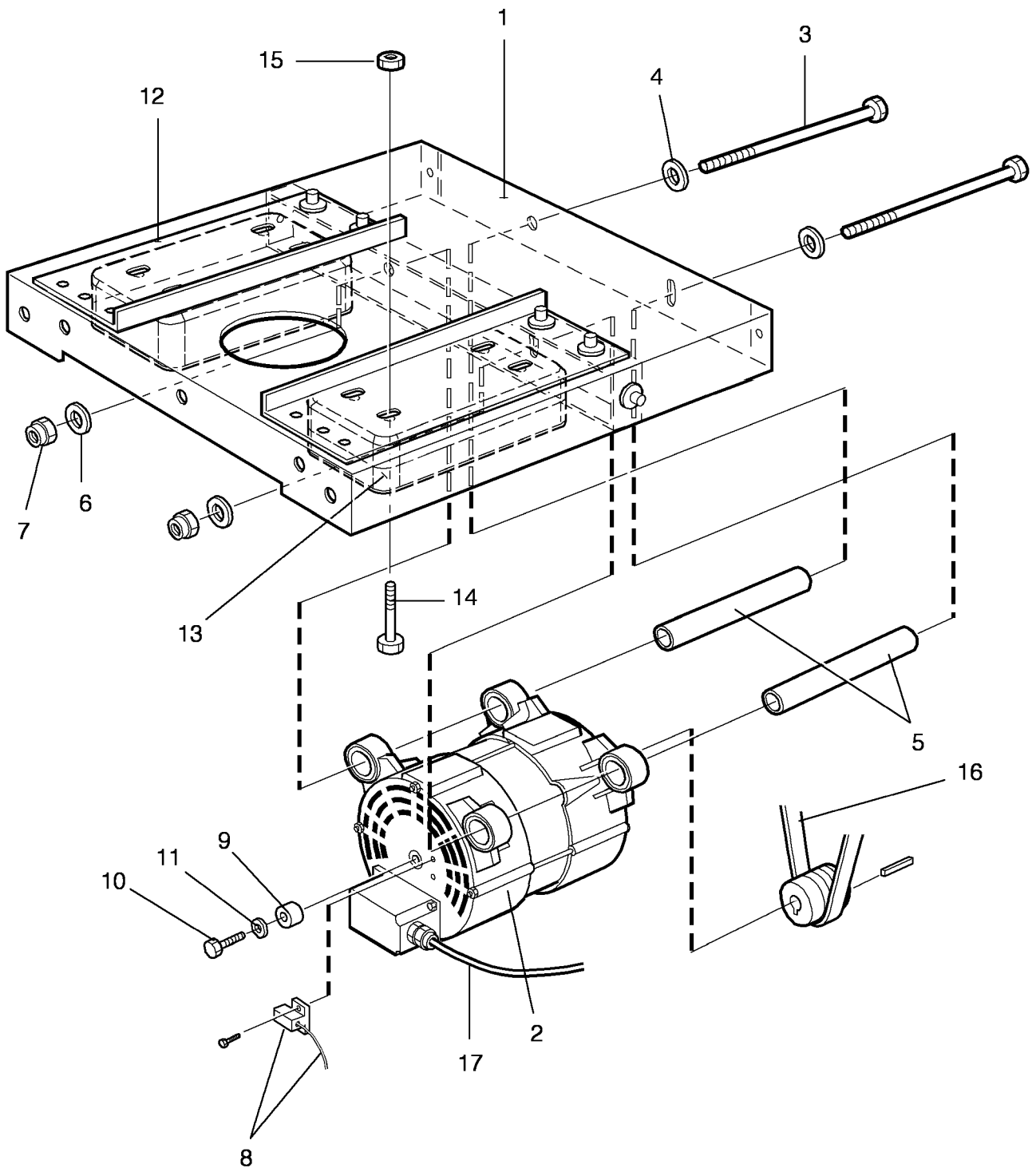
**EX30,EX30 Aqua Clean,EX30 DBS,EX30S,EX30S DBS,EX30S Mop Master**

**Door and hinged joint**

Illustration Issue Month Year  
Schéma Issue Month Year  
**101649 2 9 2002**

**Assemblage articulé et plaque**

Item Article	Quantity Quantité	Art.No Réf. article	Description	Description	Info Info	Notes Remarques
			EX30S,EX30S DBS,EX30S Mop Master			
			EX30,EX30 Aqua Clean,EX30 DBS			
1	1	438 4226-11	Door	Plaque	3	Complete
	1	438 4226-12	Door	Plaque	3	Aqua clean Complete
2	1	438 4129-01	•Door ring	•Anneau de la porte	3	
3	1	471 2408-08	•Door glass	•Vitre de la porte	1,2	
	1	438 4214-01	•Door glass	•Vitre de la porte	1,2	Aqua clean
	1	438 4214-02	•Door glass	•Vitre de la porte	1,2	Obscured
4	1	438 0440-01	•Door gasket	•Joint de la porte	1,2	Black
5	1	438 4116-01	•Bracket	•Pupitre	3	
6	1	438 0422-01	•Shaft	•Arbre	3	
7	2	438 0033-01	•Bushing	•Douille	3	
8	1	735 3126-01	•Circlip	•Attache en forme C	3	
9	1	438 4126-02	•Hub	•Moyeu	1,2	
10	1	471 7814-02	•Spring	•Ressort	3	
11	1	438 4127-02	•Handle	•Poignée	1,2	
12	1	471 8341-85	•Screw	•Vis	3	M6X16
13	5	471 7961-02	•Plug	•Fiche	3	
14	4	734 1153-09	•Washer	•Rondelle	3	BRB 6,4X12
15	4	732 3116-14	•Nut	•Écrou	3	M6
16	2	438 4132-02	•Pin	•Goupille	3	
17	2	438 4128-01	•Hinged joint	•Assemblage articulé	3	
18	4	471 8341-50	Screw	Vis		MRT 6X50
19	4	471 7864-01	Clip	Colliers de serrage	3	M6
20	1	471 7674-01	Sign	Signe	3	
21	1	471 4671-48	Warning sign	Signal avertissement	3	



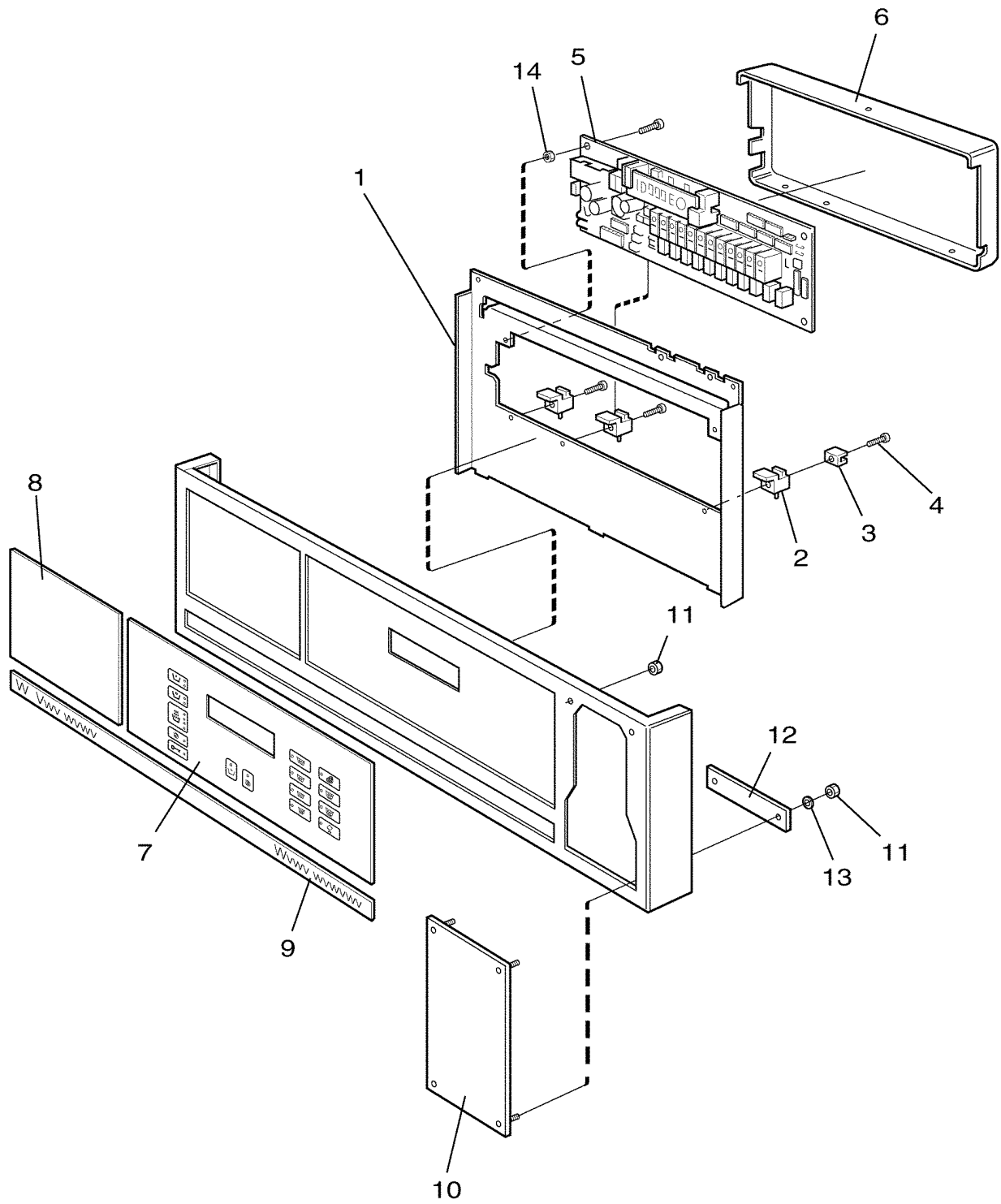
**EX30,EX30 Aqua Clean,EX30 DBS,EX30S,EX30S DBS,EX30S Mop Master**

**Motor bracket and motors**

Illustration Issue Month Year  
Schéma Issue Month Year  
**101641/2 4 6 2000**

**Support moteur et moteurs**

Item Article	Quantity Quantité	Art.No Réf. article	Description	Description	Info Info	Notes Remarques
			EX30S,EX30S DBS,EX30S Mop Master			
			EX30,EX30 Aqua Clean,EX30 DBS			
<b>1</b>	1	<b>432 0518-01</b>	Motor shelf	Berceau	3	
<b>2</b>	1	<b>471 9742-03</b>	Motor	Moteur	1,2	
<b>3</b>	2	<b>471 8356-05</b>	Screw	Vis	3	M12x240
<b>4</b>	2	<b>471 8502-10</b>	Washer	Rondelle	3	12x35
<b>5</b>	2	<b>432 0641-01</b>	Pipe	Tube	3	
<b>6</b>	2	<b>734 1178-01</b>	Washer	Rondelle	3	BRB 13X24
<b>7</b>	2	<b>732 2122-01</b>	Locking nut	Contre-écrou	3	M12
<b>8</b>	1	<b>432 0550-40</b>	Cable	Câble	1,2	With sensor
<b>9</b>	1	<b>471 9578-50</b>	Magnet	Aimant	3	
<b>10</b>	1	<b>725 2453-51</b>	Screw	Vis	3	M8X25
<b>11</b>	1	<b>734 1164-01</b>	Washer	Rondelle	3	8,4X17
<b>12</b>	2	<b>432 0546-01</b>	Brace	Montant	3	
<b>13</b>	2	<b>432 0645-01</b>	Counterweight	Contrepoids	3	
<b>14</b>	8	<b>725 2511-51</b>	Screw	Vis	3	M10X100
<b>15</b>	8	<b>732 2120-01</b>	Locking nut	Contre-écrou	3	M10
<b>16</b>	1	<b>471 7711-03</b>	V-belt	Courroie trapézoïdale	1,2	
<b>17</b>	1	<b>432 0550-45</b>	Cable set	Jeu de câbles	3	



Issue	Month	Year
01	09	98



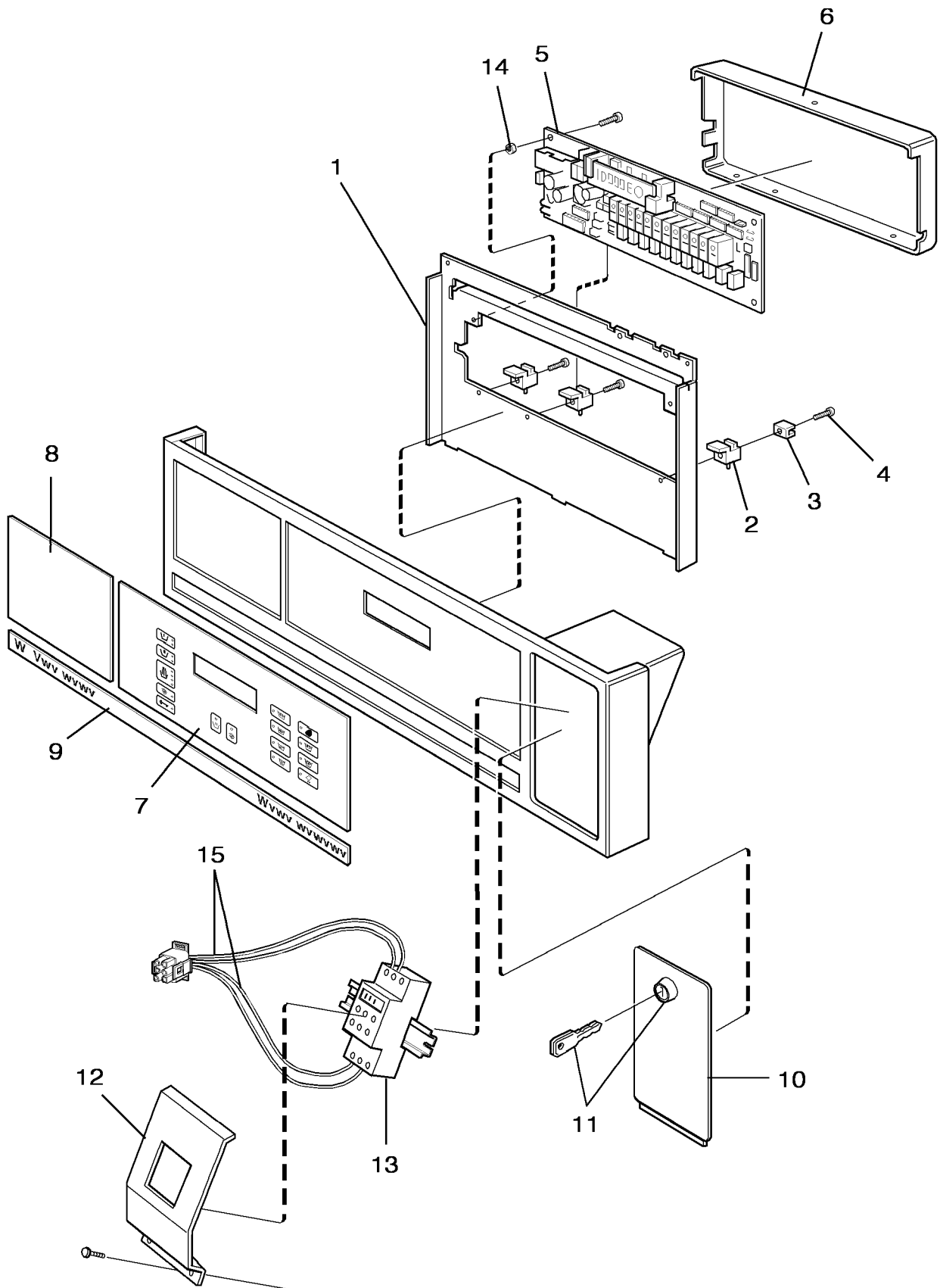
**EX30S,EX30S DBS**

**Control panel**

**Pupitre de commande**

Illustration Issue Month Year  
Schéma Issue Month Year  
**101624 3 7 2008**

Item Article	Qua. Qua.	Art.No Réf. article	Description	Description	Info Info	Notes Remarques
<b>1</b>	1	<b>432 0621-01</b>	Mounting plate	Plaque de montage	3	
<b>2</b>	3	<b>438 5154-01</b>	Bracket	Pièce de retenue	3	
<b>3</b>	3	<b>471 9004-75</b>	Bracket	Support de montage	3	
<b>4</b>	3	<b>471 8340-26</b>	Screw	Vis	3	4,2x25 4,2x25
* <b>5</b>	1	<b>471 8988-04</b>	Printed circuit board	Circuit imprimé	1,2	New prom has to be ordered GEN5Y 44-53
<b>6</b>	1	<b>438 5341-01</b>	Safety lid	Couvercle protection	3	
<b>7</b>	1	<b>472 5763-01</b>	Panel sign	Voyant du tableau	1,2	PE11,21,31
<b>1</b>	1	<b>472 5763-02</b>	Panel sign	Voyant du tableau	1,2	Selecta,PE1
<b>7</b>	1	<b>472 5763-03</b>	Panel sign	Voyant du tableau	1,2	HE02
	1	<b>472 5763-04</b>	Panel sign	Voyant du tableau	1,2	PE03 USA
	1	<b>472 5763-05</b>	Panel sign	Voyant du tableau	1,2	PE22 CP
	1	<b>472 5763-06</b>	Panel sign	Voyant du tableau	1,2	HE22
	1	<b>472 5778-01</b>	Panel sign	Voyant du tableau	1,2	PE28
<b>8</b>	1	<b>471 7694-01</b>	Instruction plate	Plaque instruction utilisation	1,2	Symbols
	1	<b>471 7694-02</b>	Instruction plate	Plaque instruction utilisation	1,2	German SELECTA PE01
	1	<b>471 7694-03</b>	Instruction plate	Plaque instruction utilisation	1,2	English HE02
	1	<b>471 7694-04</b>	Instruction plate	Plaque instruction utilisation	1,2	German PE01
	1	<b>471 7694-05</b>	Instruction plate	Plaque instruction utilisation	1,2	USA
	1	<b>471 7694-49</b>	Instruction plate	Plaque instruction utilisation	1,2	PE28, Japan
<b>9</b>	1	<b>471 7712-03</b>	Type plate	Numéro série plaque	3	WE125MP
<b>10</b>	1	<b>438 0333-01</b>	Cover plate	Plaque recouvrement	3	Black
	1	<b>438 0333-04</b>	Cover plate	Couvercle	3	Silver
	1	<b>438 0333-41</b>	Cover plate	Plaque recouvrement	3	Silver CalCad
<b>11</b>	4	<b>732 2112-01</b>	Locking nut	Contre-écrou	3	M4
<b>12</b>	1	<b>438 0260-01</b>	Mounting plate	Plaque de montage	3	
<b>13</b>	2	<b>735 2136-01</b>	Lock washer	Rondelle d'arrêt	3	AZ 4,3
<b>14</b>	2	<b>438 0299-10</b>	Spacer	Entretoise	3	



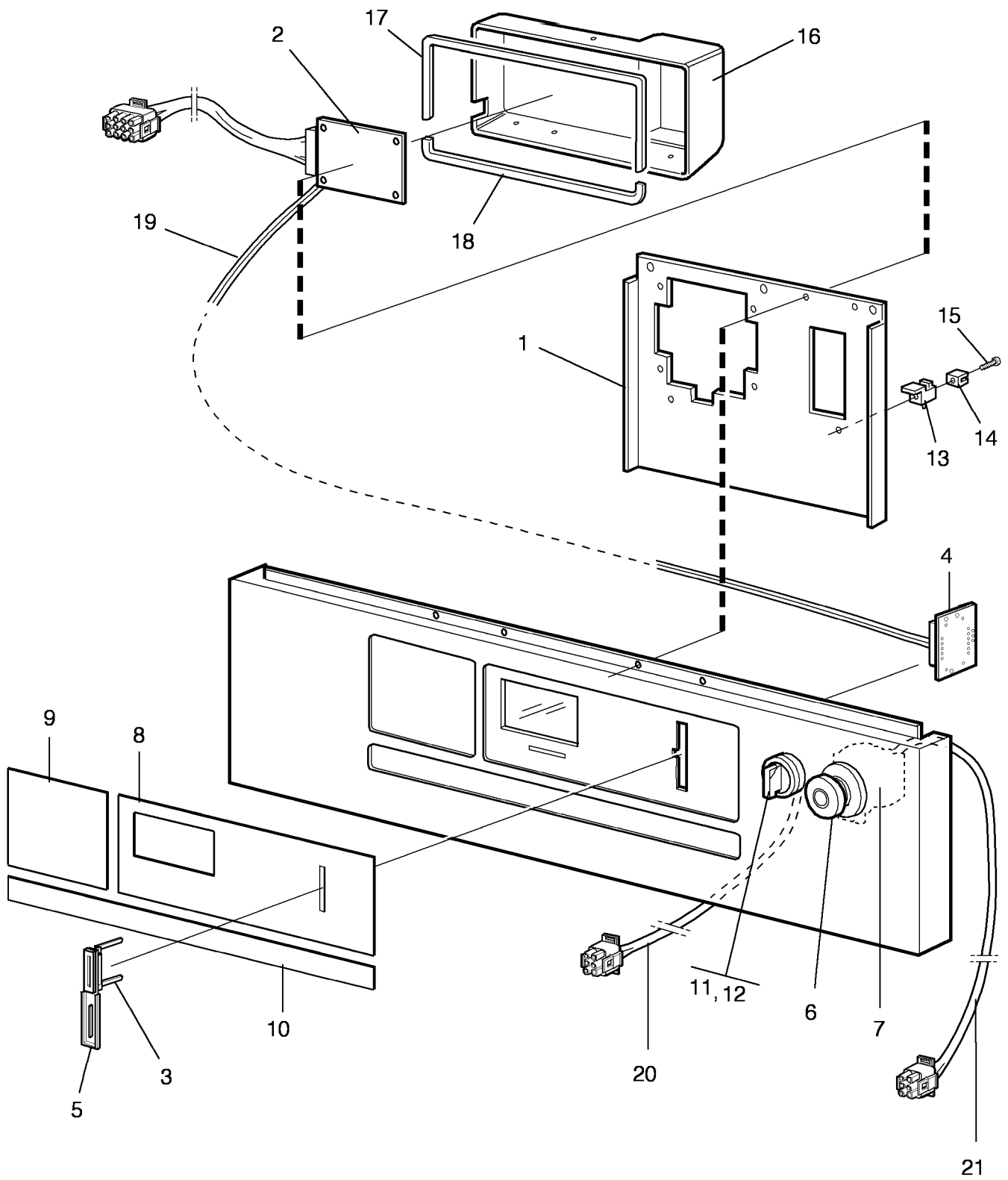
**EX30S Mop Master**

**Control panel**

**Pupitre de commande**

Illustration Issue Month Year  
Schéma Issue Month Year  
**101654/2 3 9 2002**

Item Article	Qua. Qua.	Art.No Réf. article	Description	Description	Info Info	Notes Remarques
<b>1</b>	1	<b>432 0621-01</b>	Mounting plate	Plaque de montage	3	
<b>2</b>	3	<b>438 5154-01</b>	Bracket	Pièce de retenue	3	
<b>3</b>	1	<b>471 9004-75</b>	Bracket	Support de montage	3	
<b>4</b>	3	<b>471 8340-26</b>	Screw	Vis	3	4,2x25 4,2x25
<b>5</b>	1	<b>471 8988-04</b>	Printed circuit board	Circuit imprimé	1,2	New prom has to be ordered
<b>6</b>	1	<b>438 5341-01</b>	Safety lid	Couvercle protection	3	
<b>7</b>	1	<b>472 5770-01</b>	Panel sign	Voyant du tableau	1,2	ME01
<b>8</b>	1	<b>471 7694-36</b>	Instruction plate	Plaque instruction utilisation	1,2	ME01, German
<b>9</b>	1	<b>471 7712-15</b>	Type plate	Numéro série plaque	3	
<b>10</b>	1	<b>438 4073-01</b>	Cover plate	Plaque recouvrement	3	
<b>11</b>	1	<b>471 7826-13</b>	Lock	Serrure	1	Coin-meter
	1	<b>471 7826-20</b>	Key	Touche	1	FH025
	1	<b>471 7826-98</b>	Nut	Écrou	1,2	
<b>12</b>	1	<b>438 4076-01</b>	Protection panel	Plaque protectrice	3	
<b>13</b>	1	<b>471 8920-03</b>	Timer	Minuterie	1,2	
<b>14</b>	2	<b>438 0299-10</b>	Spacer	Entretoise	3	
<b>15</b>	1	<b>432 0550-85</b>	Cable set	Jeu de câbles	3	



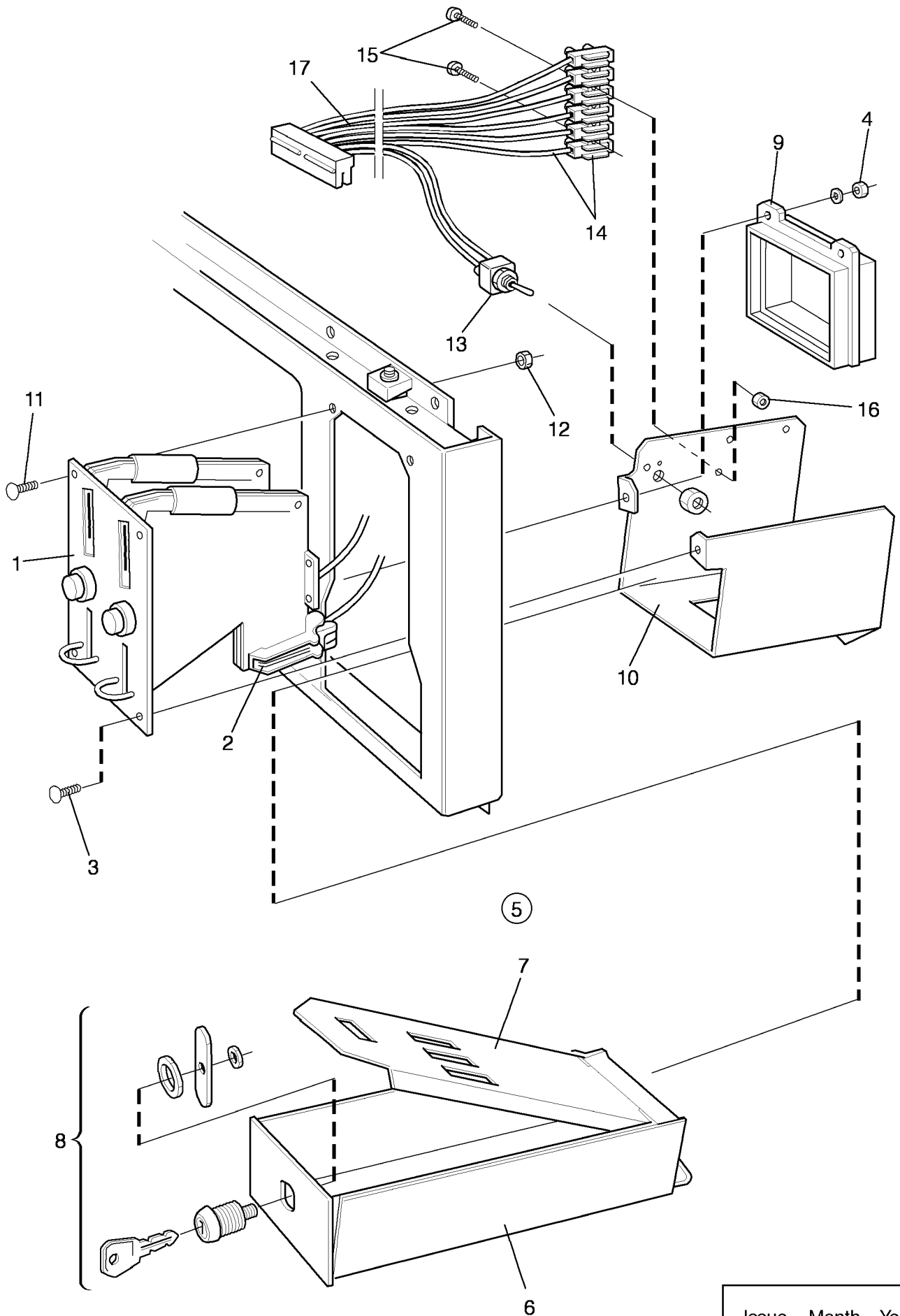
**EX30,EX30 Aqua Clean,EX30 DBS**

**Control panel**

**Pupitre de commande**

Illustration Issue Month Year  
Schéma Issue Month Year  
**101638/2 4 9 2002**

Item Article	Qua. Qua.	Art.No Réf. article	Description	Description	Info Info	Notes Remarques
1	1	432 0621-02	Mounting plate	Plaque de montage	3	
2	1	471 8997-03	Display	Affichage	1,2	
3	1	432 0150-01	Bracket	Pièce de retenue	3	
4	1	471 8793-01	Card reader	Lecteur de carte	1	
5	1	432 0149-01	Rubber cap	Capuchon caoutchouc	3	
6	1	471 9628-22	Emergency stop	Arrêt d'urgence	1	-99/12116
	1	471 9628-32	Emergency stop	Arrêt d'urgence	1	99/12117-
7	1	471 9628-90	Socket	Bloc de connexion	1	-99/12116
	1	471 9628-33	Contact block	Bloc de connexion	1	99/12117-
8	1	472 5775-01	Panel sign	Voyant du tableau	1,2	
9	1	471 7694-46	Sign	Échelle	1,2	
10	1	471 7712-04	Type plate	Numéro série plaque	3	FLE125FC
11	1	471 9628-31	Control button	Bouton de commande	1	
12	1	471 9628-99	Anti-rotation ring	Anneau antirotation	3	
13	2	438 5154-01	Bracket	Pièce de retenue	3	
14	2	471 9004-75	Bracket	Support de montage	3	
15	2	471 8340-26	Screw	Vis	3	4,2x25 4,2x25
16	1	432 0538-01	Heat shield	Bouclier thermique	3	
17	1	471 8197-02	Rubber strip	Joint caoutchouc	1	
18	1	471 8153-00	Strip	Ruban	1	
19	1	432 0550-11	Cable set	Jeu de câbles	3	
20	1	432 0550-66	Cable set	Jeu de câbles	3	EL/DS
21	1	432 0550-87	Cable set	Jeu de câbles	3	Emergency stop



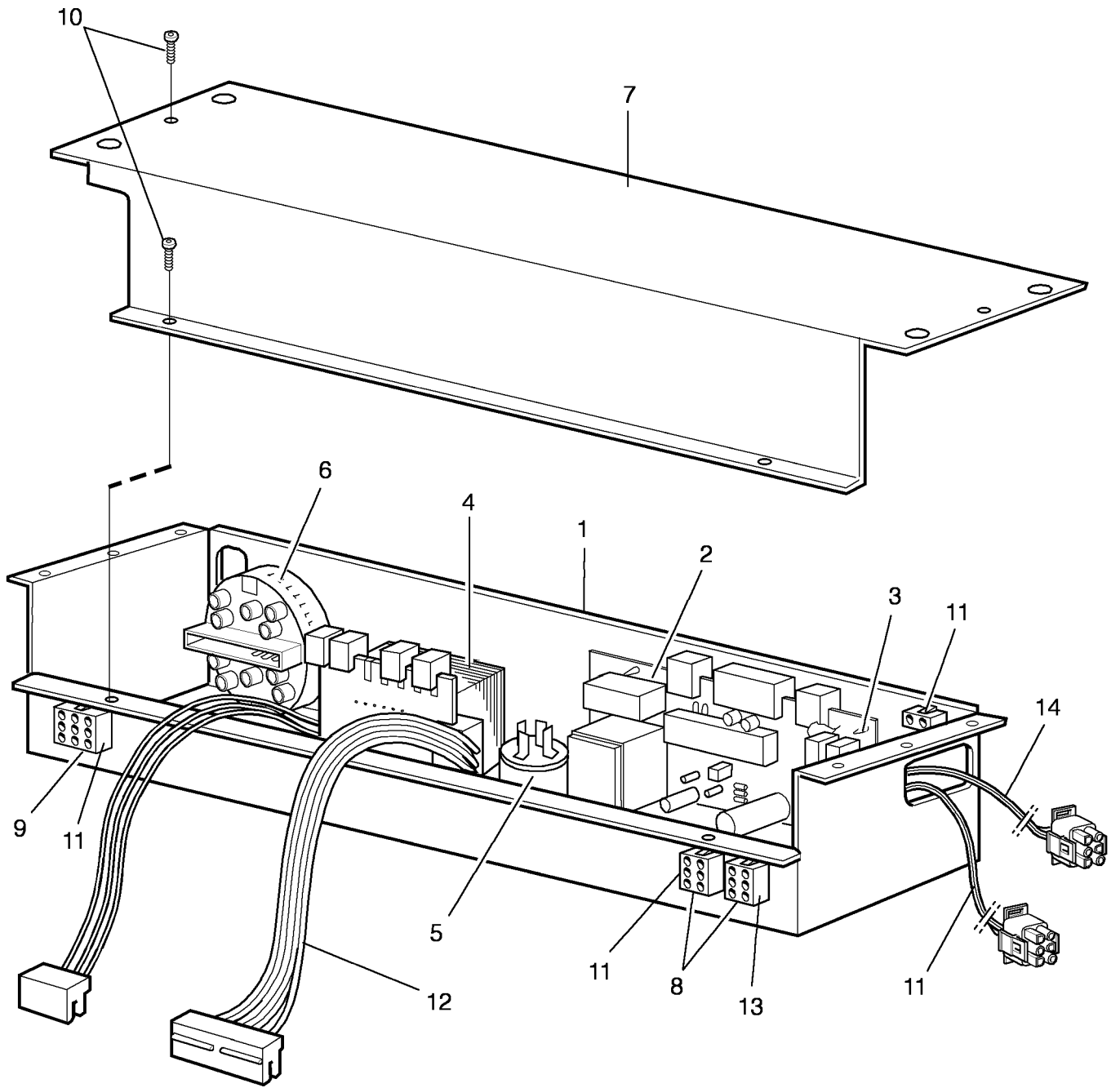
**EX30S,EX30S DBS**

**Coin meter components**

**Composants monnayeur**

Illustration Issue Month Year  
Schéma Issue Month Year  
**101356/3 3 9 2002**

Item Article	Qua. Qua.	Art.No Réf. article	Description	Description	Info Info	Notes Remarques
<b>1</b>	1		Coin meter	Monnayeur		See group 8511
<b>2</b>	1	<b>471 8910-91</b>	•Sensor	•Décteur	1,2	
<b>3</b>	4	<b>471 8910-90</b>	Screw	Vis	3	
<b>4</b>	4	<b>731 2312-01</b>	Nut	Écrou	3	M4
<b>5</b>	1	<b>471 4591-01</b>	Coin box	Boîtier à jetons	3	Complete
<b>6</b>	1	<b>471 4589-01</b>	•Coin box	•Boîtier à jetons	3	
<b>7</b>	1	<b>471 4590-01</b>	•Coin box	•Boîtier à jetons	3	
<b>8</b>	1	<b>471 7817-01</b>	Lock	Serrure	1	
<b>9</b>	1	<b>471 4596-01</b>	Frame	Châssis	3	
<b>10</b>	1	<b>472 8895-01</b>	Bracket	Pupitre	3	
<b>11</b>	2	<b>725 2331-51</b>	Screw	Vis	3	M5X20
<b>12</b>	2	<b>731 2314-01</b>	Nut	Écrou	3	M5
<b>13</b>	1	<b>471 4876-06</b>	Switch	Commutateur	1	
<b>14</b>	1	<b>432 0550-81</b>	Cables	Câble	3	
<b>15</b>	2	<b>724 1226-01</b>	Screw	Vis	3	M3X12
<b>16</b>	2	<b>731 2310-01</b>	Nut	Écrou	3	M3
<b>17</b>	1	<b>432 0550-81</b>	Cables	Câble	3	





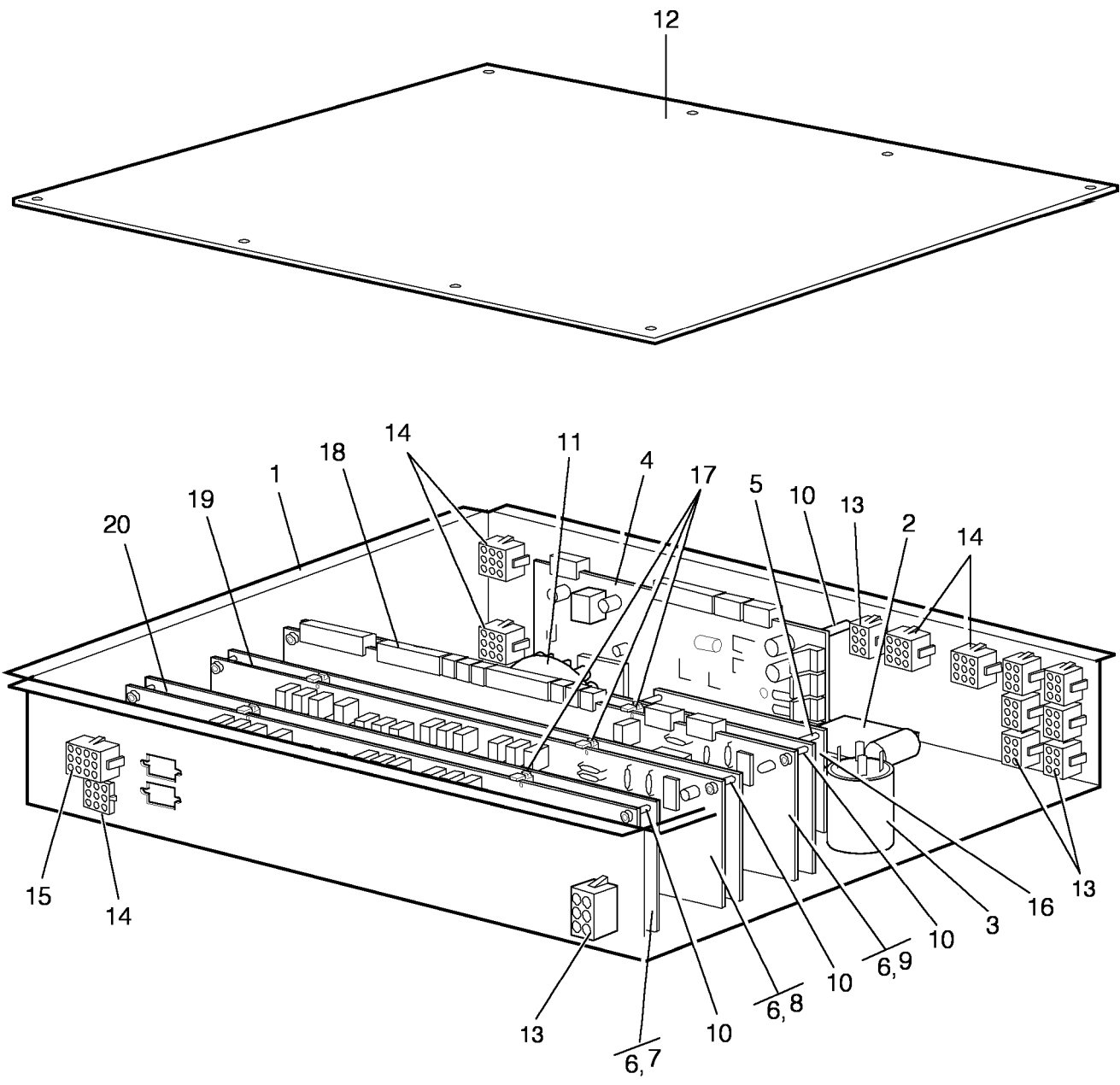
**EX30S,EX30S DBS,EX30S Mop Master**

**Control unit**

Illustration Issue Month Year  
Schéma Issue Month Year  
**101634/3 2 6 2000**

**Unité de contrôle**

Item Article	Qua. Qua.	Art.No Réf. article	Description	Description	Info Info	Notes Remarques
<b>1</b>	1	<b>432 0635-01</b>	Component panel	Panneau composants	3	
<b>2</b>	1	<b>438 9555-01</b>	Printed circuit board	Circuit imprimé	1,2	Door lock
<b>3</b>	4	<b>471 7958-01</b>	Support	Support	3	
<b>4</b>	1	<b>471 9558-11</b>	Transformer	Transformateur	1	
<b>5</b>	1	<b>471 9529-10</b>	Mains filter	Filtre de filet	1	208-240V
<b>6</b>	1	<b>471 8859-06</b>	Level control	Réglage de niveau	1	
<b>7</b>	1	<b>432 0636-01</b>	Cover	Couvercle	3	
<b>8</b>	2	<b>762 3211-01</b>	Plug connector	Connexion enfichable	3	6-pole
<b>9</b>	1	<b>762 3231-01</b>	Plug connector	Connexion enfichable	3	9-POLE
<b>10</b>	4	<b>471 8342-13</b>	Screw	Vis	3	MRT-TT 4X10
<b>11</b>	1	<b>432 0550-20</b>	Cable set	Jeu de câbles	3	
<b>12</b>	1	<b>432 3087-11</b>	Cable set	Jeu de câbles	3	
<b>13</b>	1	<b>432 0550-16</b>	Cable set	Jeu de câbles	3	X11
<b>14</b>	1	<b>432 0550-15</b>	Cable set	Jeu de câbles	3	X20



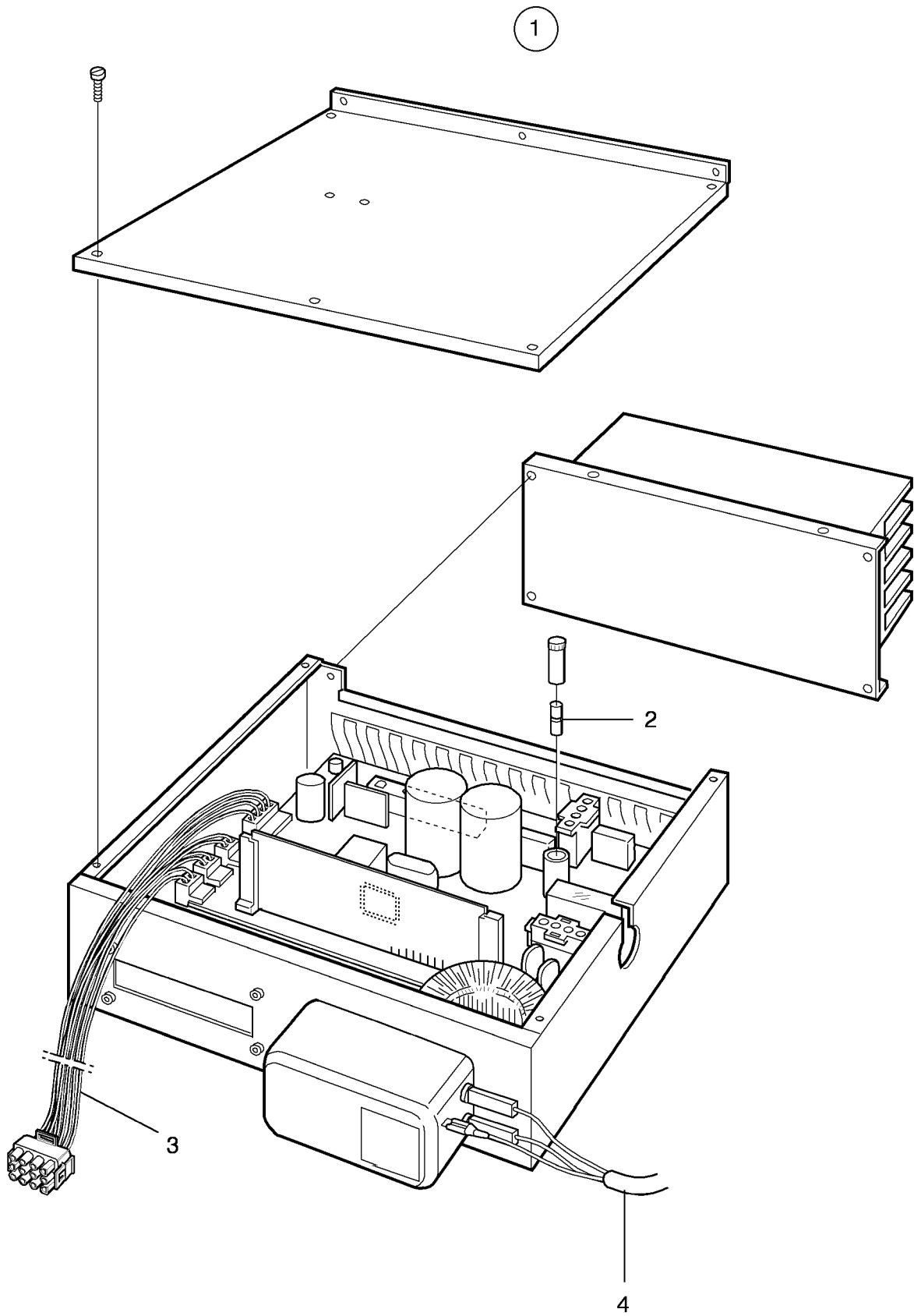
**EX30,EX30 Aqua Clean,EX30 DBS**

**Control unit**

**Unité de contrôle**

Illustration    Issue    Month    Year  
Schéma        Issue    Month    Year  
**101635/2    7        8        2006**

Item Article	Qua. Qua.	Art.No Réf. article	Description	Description	Info Info	Notes Remarques
<b>1</b>	1	<b>432 0632-01</b>	Component panel	Panneau composants	3	
	1	<b>432 0632-02</b>	Component panel	Panneau composants	3	
<b>2</b>	1	<b>471 8792-01</b>	Transformer	Transformateur	1	
<b>3</b>	1	<b>471 9529-10</b>	Mains filter	Filtre de filet	1	208-240V
<b>4</b>	1	<b>432 0805-01</b>	Printed circuit board	Circuit imprimé	1	Not configured
	1	<b>432 0805-01</b>	Printed circuit board	Circuit imprimé	1	2 I/O card English
	1	<b>432 0805-02</b>	Printed circuit board	Circuit imprimé	1	1 I/O card Swedish
	1	<b>432 0805-03</b>	Printed circuit board	Circuit imprimé	1	1 I/O card German
	1	<b>432 0805-04</b>	Printed circuit board	Circuit imprimé	1	2 I/O card Swedish
	1	<b>432 0805-05</b>	Printed circuit board	Circuit imprimé	1	3 I/O card Danish
	1	<b>432 0805-06</b>	Printed circuit board	Circuit imprimé	1	2 I/O card German
	1	<b>432 0805-07</b>	Printed circuit board	Circuit imprimé	1	2 I/O card Italian
	1	<b>432 0805-08</b>	Printed circuit board	Circuit imprimé	1	1 I/O card Danish
	1	<b>432 0805-09</b>	Printed circuit board	Circuit imprimé	1	1 I/O card English
	1	<b>432 0805-10</b>	Printed circuit board	Circuit imprimé	1	1 I/O card Dutch
	1	<b>432 0805-11</b>	Printed circuit board	Circuit imprimé	1	1 I/O card Finnish
	1	<b>432 0805-12</b>	Printed circuit board	Circuit imprimé	1	1 I/O card Norwegian
	1	<b>432 0805-13</b>	Printed circuit board	Circuit imprimé	1	1 I/O card Great Britain
	1	<b>432 0805-14</b>	Printed circuit board	Circuit imprimé	1	1 I/O card, HW Dutch
	1	<b>432 0805-15</b>	Printed circuit board	Circuit imprimé	1	1 I/O card French
	1	<b>432 0805-16</b>	Printed circuit board	Circuit imprimé	1	2 I/O card Spanish
	1	<b>432 0805-17</b>	Printed circuit board	Circuit imprimé	1	2 I/O card French
	1	<b>432 0805-18</b>	Printed circuit board	Circuit imprimé	1	1 I/O card, HW Spanish
	1	<b>432 0805-19</b>	Printed circuit board	Circuit imprimé	1	1 I/O card Czech
	1	<b>432 0805-20</b>	Printed circuit board	Circuit imprimé	1	1 I/O card Italian
	1	<b>432 0805-21</b>	Printed circuit board	Circuit imprimé	1	1 I/O card Spanish
	1	<b>432 0805-22</b>	Printed circuit board	Circuit imprimé	1	2 I/O card French
	1	<b>432 0805-23</b>	Printed circuit board	Circuit imprimé	1	1 I/O card, HW English
	1	<b>432 0805-24</b>	Printed circuit board	Circuit imprimé	1	1 I/O card, HW USA
	1	<b>432 0805-25</b>	Printed circuit board	Circuit imprimé	1	2 I/O card Norwegian
	1	<b>432 0805-26</b>	Printed circuit board	Circuit imprimé	1	1 I/O card USA
	1	<b>432 0805-27</b>	Printed circuit board	Circuit imprimé	1	2 I/O card Polish
	1	<b>432 0805-28</b>	Printed circuit board	Circuit imprimé	1	2 I/O card Finnish
	1	<b>432 0805-29</b>	Printed circuit board	Circuit imprimé	1	2 I/O card Czech
	1	<b>432 0805-30</b>	Printed circuit board	Circuit imprimé	1	2 I/O card Dutch
	1	<b>432 0805-31</b>	Printed circuit board	Circuit imprimé	1,2	2 I/O card USA
	1	<b>432 0805-32</b>	Printed circuit board	Circuit imprimé	1	2 I/O card Danish
	1	<b>432 0805-33</b>	Printed circuit board	Circuit imprimé	1	1 I/O card Polish
	1	<b>432 0805-34</b>	Printed circuit board	Circuit imprimé	1	2 I/O card Japanese
	1	<b>432 0805-35</b>	Printed circuit board	Circuit imprimé	1	2 I/O card Great Britain
<b>5</b>	4	<b>471 7958-01</b>	Support	Support	3	
<b>6</b>	RQ	<b>432 0142-01</b>	Bracket	Support de montage	3	I/O-card
<b>7</b>	1	<b>471 8995-11</b>	Printed circuit board	Circuit imprimé	1	I/O-card Not configured
	1	<b>471 8995-13</b>	Printed circuit board	Circuit imprimé	1	I/O-card A5
<b>8</b>	1	<b>471 8995-11</b>	Printed circuit board	Circuit imprimé	1	I/O-card Not configured
	1	<b>471 8995-12</b>	Printed circuit board	Circuit imprimé	1	I/O-card A4
<b>9</b>	1	<b>471 8995-11</b>	Printed circuit board	Circuit imprimé	1	I/O-card A3
<b>10</b>	RQ	<b>438 0299-01</b>	Spacer	Entretoise	3	
<b>11</b>	1	<b>471 8859-06</b>	Level control	Réglage de niveau	1	
<b>12</b>	1	<b>432 0633-01</b>	Cover	Couvercle	3	
<b>13</b>	7	<b>762 3211-01</b>	Plug connector	Connexion enfichable	3	6-pole
<b>14</b>	4	<b>762 3231-01</b>	Plug connector	Connexion enfichable	3	9-POLE
<b>15</b>	1	<b>762 3251-01</b>	Plug connector	Connexion enfichable	3	12-POLE
<b>16</b>	1	<b>438 9555-01</b>	Printed circuit board	Circuit imprimé	1,2	Door lock
<b>17</b>	RQ	<b>471 7958-02</b>	Support	Support	3	
<b>18</b>	1	<b>432 0550-10</b>	Cable set	Jeu de câbles	3	1 I/O card
<b>19</b>	1	<b>432 0550-12</b>	Cable set	Jeu de câbles	3	2 I/O card
<b>20</b>	1	<b>432 0550-13</b>	Cable set	Jeu de câbles	3	3 I/O card



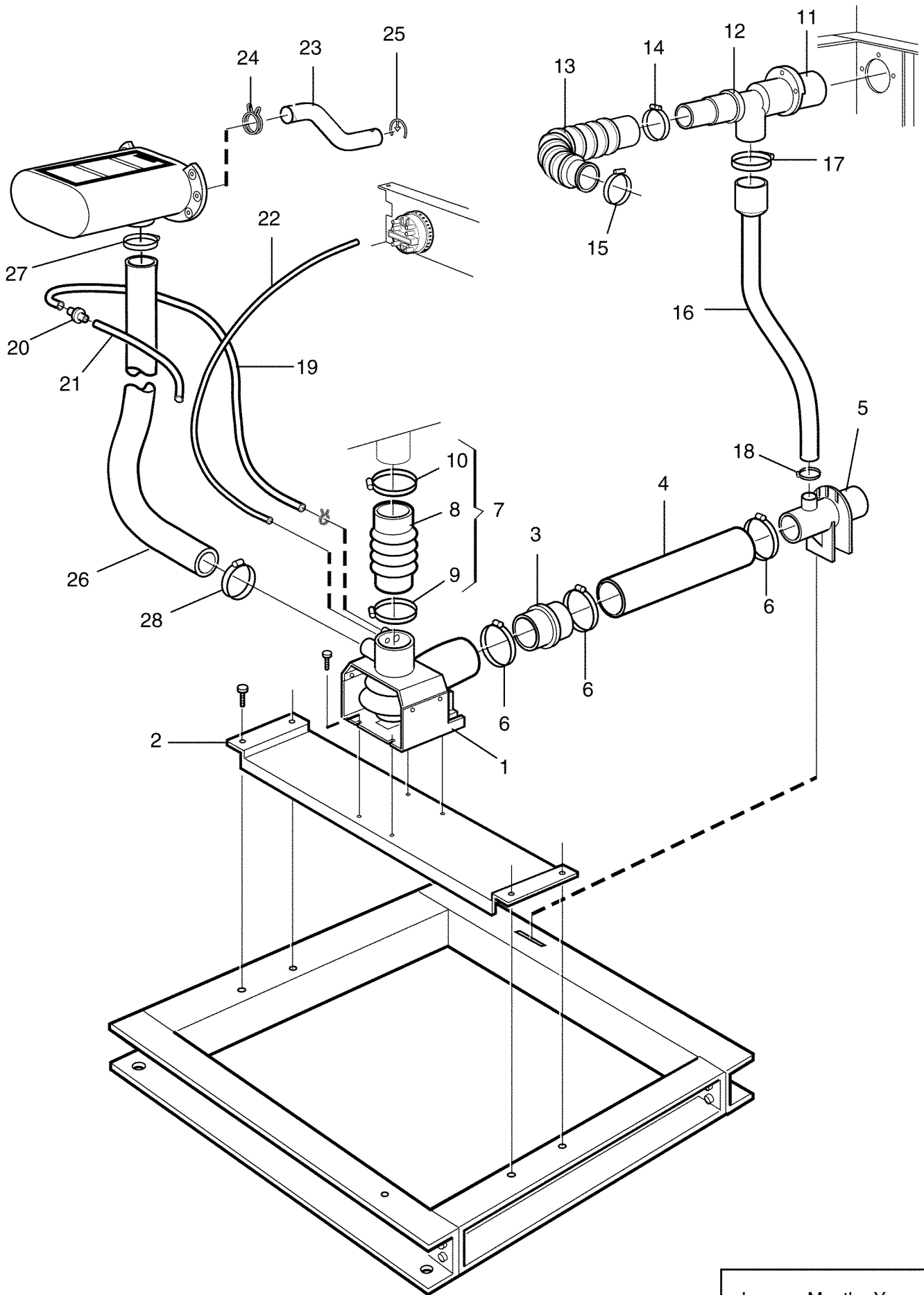
**EX30,EX30 Aqua Clean,EX30 DBS,EX30S,EX30S DBS,EX30S Mop Master**

**Motor control**

**Controle du moteur**

Illustration	Issue	Month	Year
Schéma	Issue	Month	Year
<b>101659/2</b>	<b>2</b>	<b>6</b>	<b>2000</b>

Item Article	Quantity Quantité	Art.No Réf. article	Description	Description	Info Info	Notes Remarques
			EX30S,EX30S DBS,EX30S Mop Master			
			EX30,EX30 Aqua Clean,EX30 DBS			
<b>1</b>	1	<b>471 9770-01</b>	Motor control	Controle du moteur		Compl.
<b>2</b>	1	<b>471 8750-22</b>	Fuse	Porte-fusible	1,2	1,6A
<b>3</b>	1	<b>432 0550-42</b>	Cable set	Jeu de câbles	3	
<b>4</b>	1	<b>432 0550-05</b>	Cable set	Jeu de câbles	3	El. heated
	1	<b>432 0550-06</b>	Cable set	Jeu de câbles	3	El. heated, transformer
	1	<b>432 0550-07</b>	Cable set	Jeu de câbles	3	DS,HW
	1	<b>432 0550-08</b>	Cable set	Jeu de câbles	3	3AC, Japan



Issue	Month	Year
01	10	98

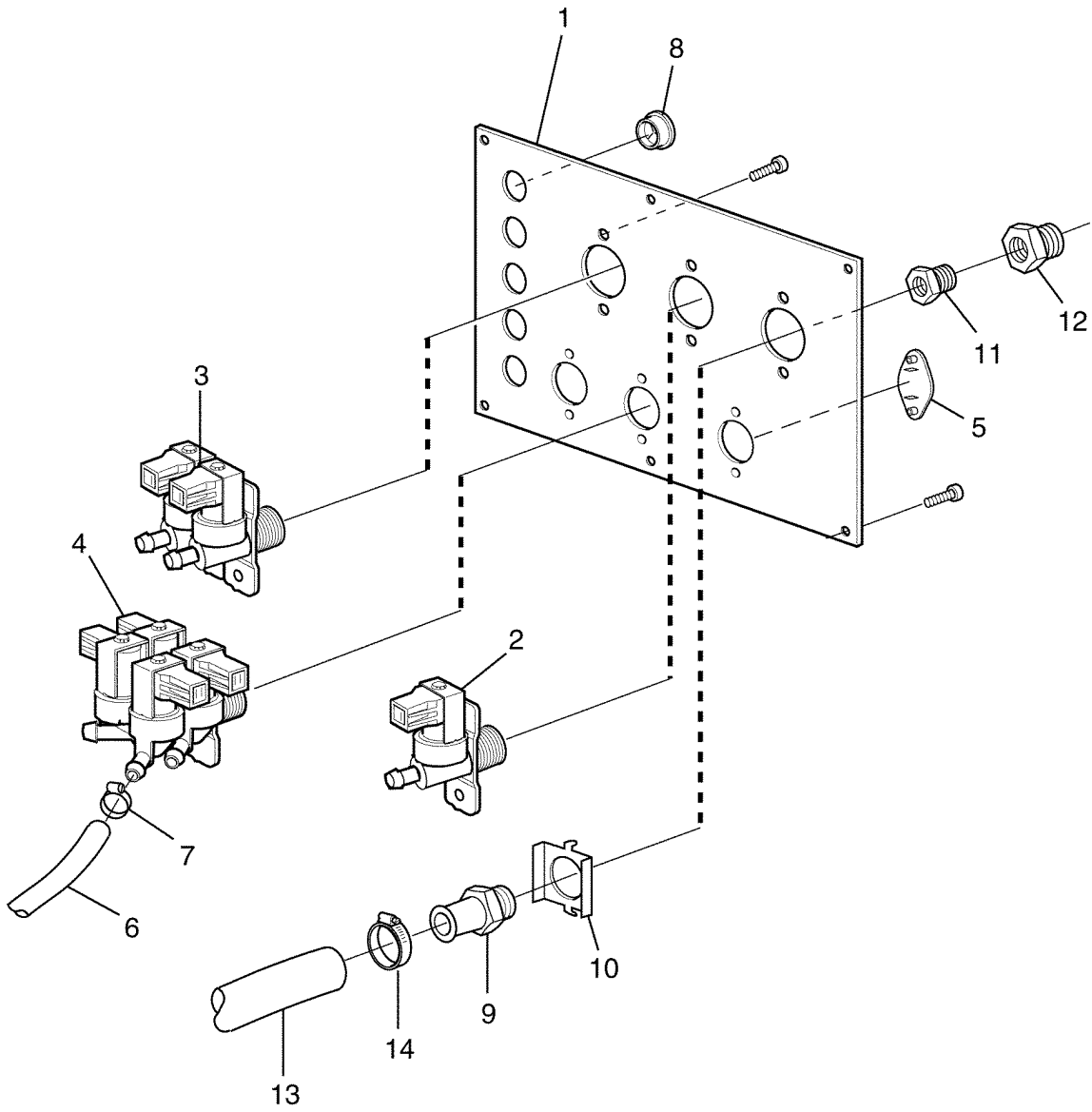
**EX30,EX30 Aqua Clean,EX30 DBS,EX30S,EX30S DBS,EX30S Mop Master**

**Drain valve and hoses**

Illustration Issue Month Year  
Schéma Issue Month Year  
**101642 2 4 1999**

**Purgeur et flexible**

Item Article	Quantity Quantité	Art.No Réf. article	Description	Description	Info Info	Notes Remarques
			EX30S,EX30S DBS,EX30S Mop Master			
			EX30,EX30 Aqua Clean,EX30 DBS			
1	1	472 8754-12	Drain valve	Purgeur	1,2	220V 50/60Hz
2	1	432 0624-01	Mounting plate	Plaque de montage	3	
3	1	438 0083-01	Joint sleeve	Couvre-joint	3	
4	1	438 0244-02	Hose	Flexible	1,2	
5	1	438 0084-03	Drain pipe connection	Raccord de vidange	3	
6	3	736 2846-51	Hose clamp	Attache flexible	3	Ø73-83
7	1	471 6664-60	Repair kit	Kit reconditionnement	1,2	
8	1		•Hose	•Flexible		
9	1		•Hose clamp	•Attache flexible		Ø77-93
10	1		•Hose clamp	•Attache flexible		Ø95-115
11	1	472 6014-00	Connection	Flexible caoutchouc	3	
12	1	472 6561-01	Connection	Flexible caoutchouc	3	
13	1	472 6025-00	Hose	Flexible	1,2	
14	1	736 2119-11	Hose clamp	Attache flexible	3	
15	1	472 6024-00	Ring	Anneau	3	
16	1	438 4134-02	Hose	Flexible	1,2	
17	1	736 2840-51	Hose clamp	Attache flexible	3	Ø50-63
18	1	736 2831-51	Hose clamp	Attache flexible	3	Ø36-42
19	1	471 5103-04	Hose	Flexible		10/16 L=1270
20	1	471 4651-24	Nipple	Raccord	3	
21	1	471 2433-14	Hose	Flexible	1,2	L=940 7,5x4x940
22	1	471 2425-28	Hose	Flexible	1,2	L=1500
23	1	438 6026-05	Hose	Flexible	3	
24	1	736 2825-51	Hose clamp	Attache flexible	3	Ø32
25	1	438 0127-01	Lock	Serrure	3	
26	1	472 6464-02	Hose	Flexible	3	
27	1	736 2840-51	Hose clamp	Attache flexible	3	Ø50-63
28	1	736 2837-51	Hose clamp	Attache flexible	3	Ø48-54



Issue	Month	Year
01	01	99



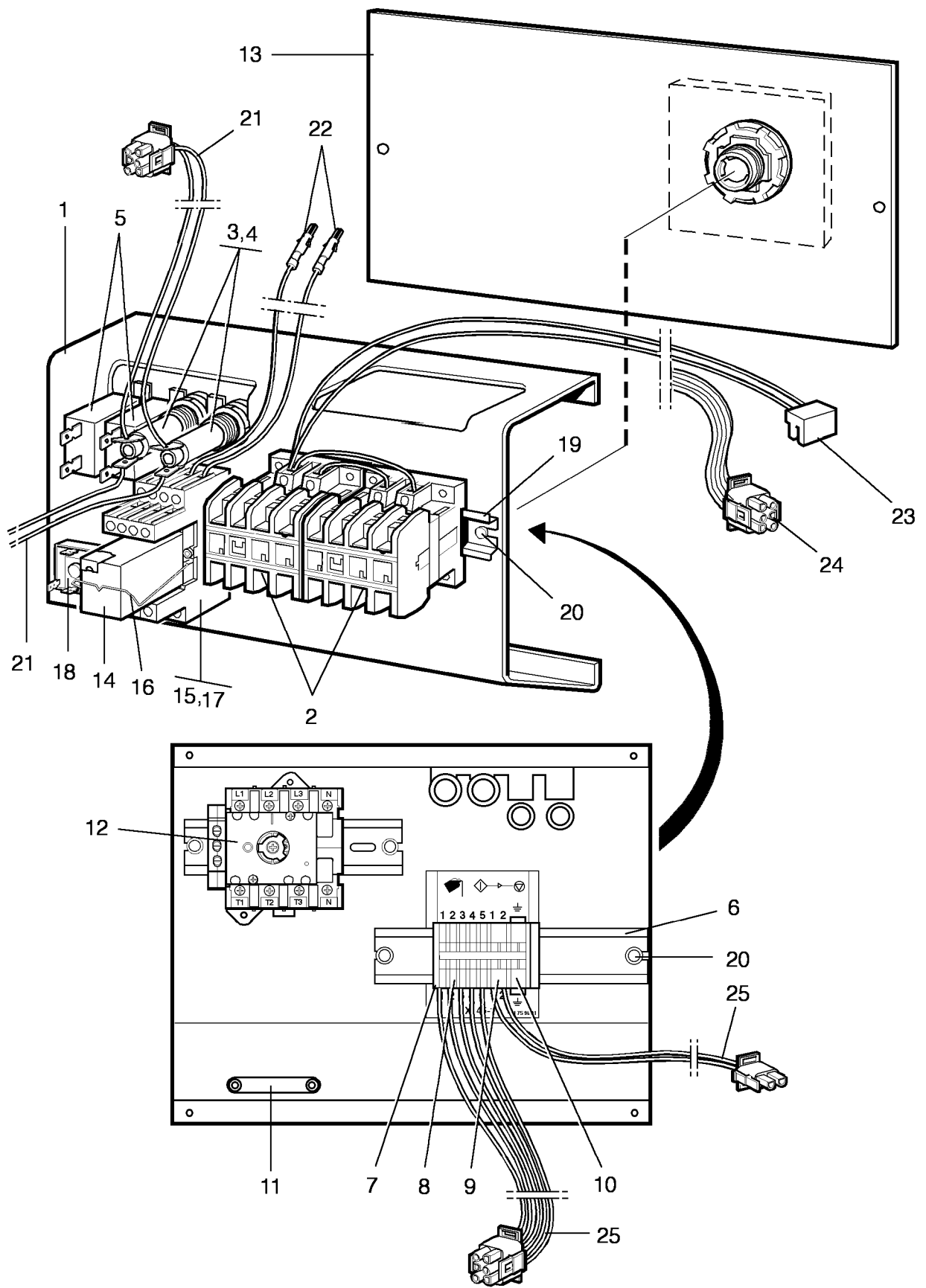
**EX30,EX30 Aqua Clean,EX30 DBS,EX30S,EX30S DBS,EX30S Mop Master**

**Water connections**

Illustration Issue Month Year  
Schéma Issue Month Year  
**101627 2 6 2000**

**Raccords d'eau**

Item Article	Quantity Quantité	Art.No Réf. article	Description	Description	Info Info	Notes Remarques
			EX30S,EX30S DBS,EX30S Mop Master			
			EX30,EX30 Aqua Clean,EX30 DBS			
<b>1</b>	1	<b>432 0629-01</b>	Mounting plate	Plaque de montage	3	
<b>2</b>	1		Valve 1-way	Valve 1-way		See group 8115
<b>3</b>	1		Valve 2-ways	Valve 2-ways		See group 8116
<b>4</b>	1		Valve 4-ways	Valve 4-ways		See group 8114
<b>5</b>	RQ	<b>472 6761-01</b>	Cover washer	Rondelle protection	3	
<b>6</b>	RQ	<b>877 5211-08</b>	Hose	Flexible	1	Per 1 m Per 1 M
<b>7</b>	RQ	<b>736 2816-51</b>	Hose clamp	Attache flexible	3	Ø13-19
<b>8</b>	5	<b>471 7967-01</b>	Bushing	Douille	3	
<b>9</b>	1	<b>471 8623-01</b>	Connection	Embrayage	3	1/2"
<b>10</b>	1	<b>471 2937-02</b>	Bracket	Support	3	
<b>11</b>	1	<b>741 4114-20</b>	Bushing	Douille	3	R 3/4"/1/2"
<b>12</b>						NOT USED
<b>13</b>	RQ	<b>877 5252-01</b>	Hose	Flexible	1	Per 1 m Per 1 M
<b>14</b>	RQ	<b>736 2825-51</b>	Hose clamp	Attache flexible	3	Ø32
<b>15</b>	1	<b>432 0550-70</b>	Cable set	Jeu de câbles	3	Clarus Cold/hot water Not illustrated
	1	<b>432 0550-71</b>	Cable set	Jeu de câbles	3	Clarus Cold water, cold hard water, hot water Not illustrated
	1	<b>432 0550-72</b>	Cable set	Jeu de câbles	3	Clarus Cold water, hot water, USA Not illustrated



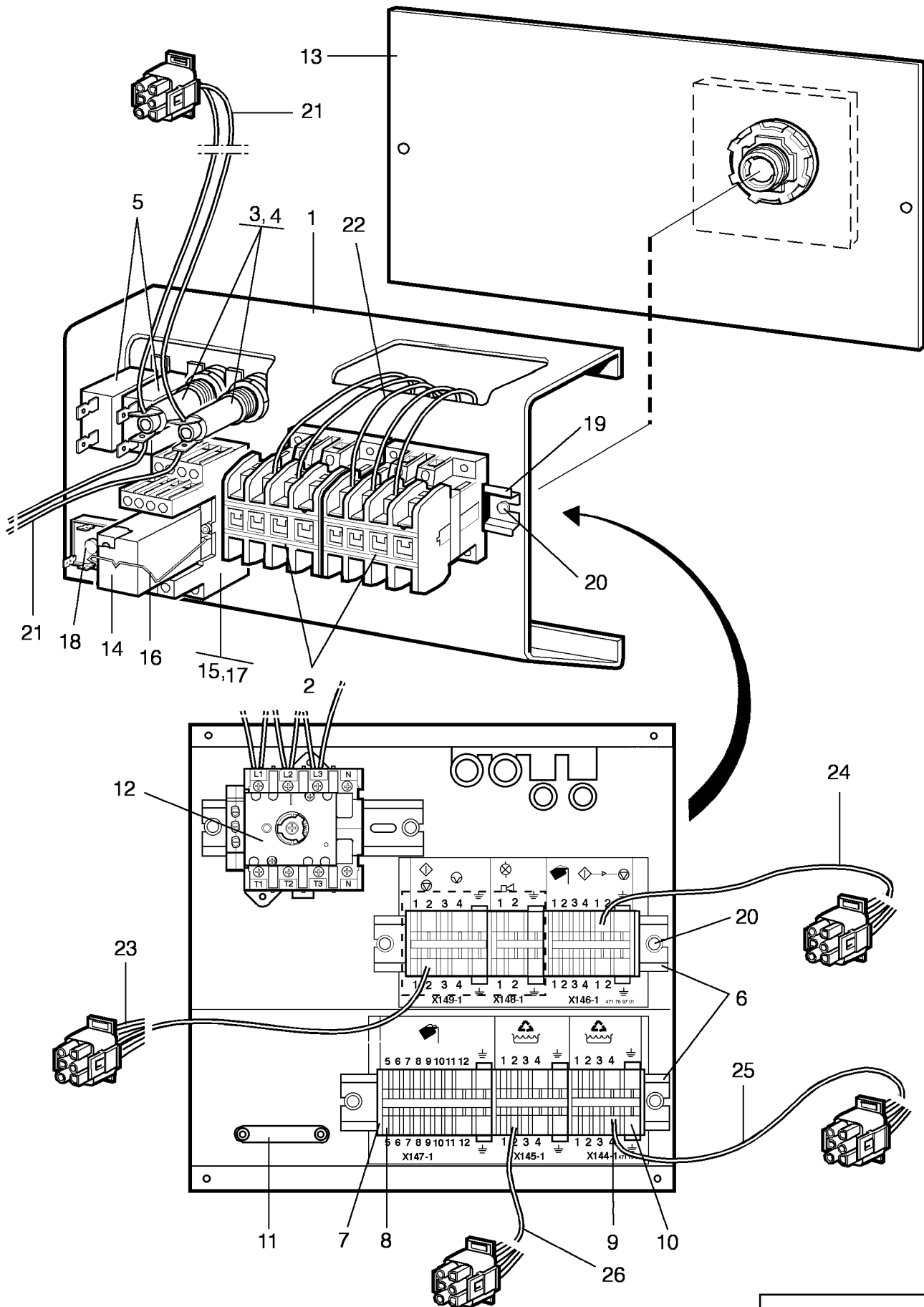
**EX30S,EX30S DBS,EX30S Mop Master**

**Electric components**

**Composants électriques**

Illustration Issue Month Year  
Schéma Issue Month Year  
**101651/2 4 9 2002**

Item Article	Qua. Qua.	Art.No Réf. article	Description	Description	Info Info	Notes Remarques
<b>1</b>	1	<b>432 0631-01</b>	Mounting plate	Plaque de montage	3	
<b>2</b>	1	<b>438 9636-72</b>	Contacteur	Relais	1,2	50Hz, K3-22
	1	<b>438 9636-73</b>	Contacteur	Relais	1,2	60Hz
	2	<b>438 9636-02</b>	Contacteur	Relais	1,2	50Hz
	2	<b>438 9636-03</b>	Contacteur	Relais	1,2	60Hz
<b>3</b>	2	<b>471 8750-11</b>	Fuse	Porte-fusible	1,2	1,25A 5X20MM
<b>4</b>	2	<b>471 8756-51</b>	Insert	Insertion	1,2	5X20MM
<b>5</b>	2	<b>471 8777-02</b>	Circuit breaker	Fusible	1,2	16A
<b>6</b>	1	<b>471 7182-23</b>	Rail	Support	3	
<b>7</b>	6	<b>471 8781-11</b>	Block	Cale	3	
<b>8</b>	RQ	<b>471 8781-02</b>	Block	Cale	3	Orange
<b>9</b>	RQ	<b>471 8781-01</b>	Block	Cale	3	Grey
<b>10</b>	RQ	<b>471 8781-03</b>	Block	Cale	3	Yellow/Green
<b>11</b>	1	<b>471 7859-11</b>	Clamp	Attache	3	
	1	<b>471 7859-16</b>	Clamp	Attache	3	Upper part
<b>12</b>	1	<b>471 9678-11</b>	Main switch	Main switch	1,2	3-pole, 25A -00/15543
	1	<b>471 9678-41</b>	Main switch	Main switch	1,2	3-pole, 25A 00/15544-
	1	<b>471 9678-13</b>	Main switch	Main switch	1,2	-00/15652
	1	<b>471 9678-43</b>	Main switch	Main switch	1,2	00/15653-
	1	<b>471 9678-21</b>	Main switch	Main switch	1,2	4-pole, 25A -00/15586
	1	<b>471 9678-51</b>	Main switch	Main switch	1,2	4-pole, 25A 00/15587-
	1	<b>471 9678-23</b>	Main switch	Main switch	1,2	4-pole, 40A -00/15652
	1	<b>471 9678-53</b>	Main switch	Main switch	1,2	4-pole, 40A 00/15653-
	1	<b>471 9678-94</b>	Knob	Bouton	3	00/15544-
<b>13</b>	1	<b>432 0639-01</b>	Cover	Couvercle	3	
<b>14</b>	1	<b>471 9649-05</b>	Relay	Relais	1,2	
<b>15</b>	1	<b>471 9649-02</b>	Socket	Douille	1	
<b>16</b>	1	<b>471 9649-12</b>	Clamp	Bride de fixation	3	
<b>17</b>	2	<b>471 8342-07</b>	Screw	Vis	3	
<b>18</b>	1	<b>471 9573-02</b>	Rectifier	Redresseur	1,2	
<b>19</b>	1	<b>471 7182-22</b>	Rail	Support	3	
<b>20</b>	6	<b>471 8342-11</b>	Screw	Vis	3	MRT-TT 4X6
<b>21</b>	1	<b>432 0550-01</b>	Cable set	Jeu de câbles	3	
<b>22</b>	1	<b>472 6498-02</b>	Cable set	Jeu de câbles	3	
<b>23</b>	1	<b>432 0550-60</b>	Cable set	Jeu de câbles	3	Exacta
<b>24</b>	1	<b>432 0550-62</b>	Cable set	Jeu de câbles	3	Clarus
<b>25</b>	1	<b>432 0550-91</b>	Cable set	Jeu de câbles	3	



Issue	Month	Year
02	06	00

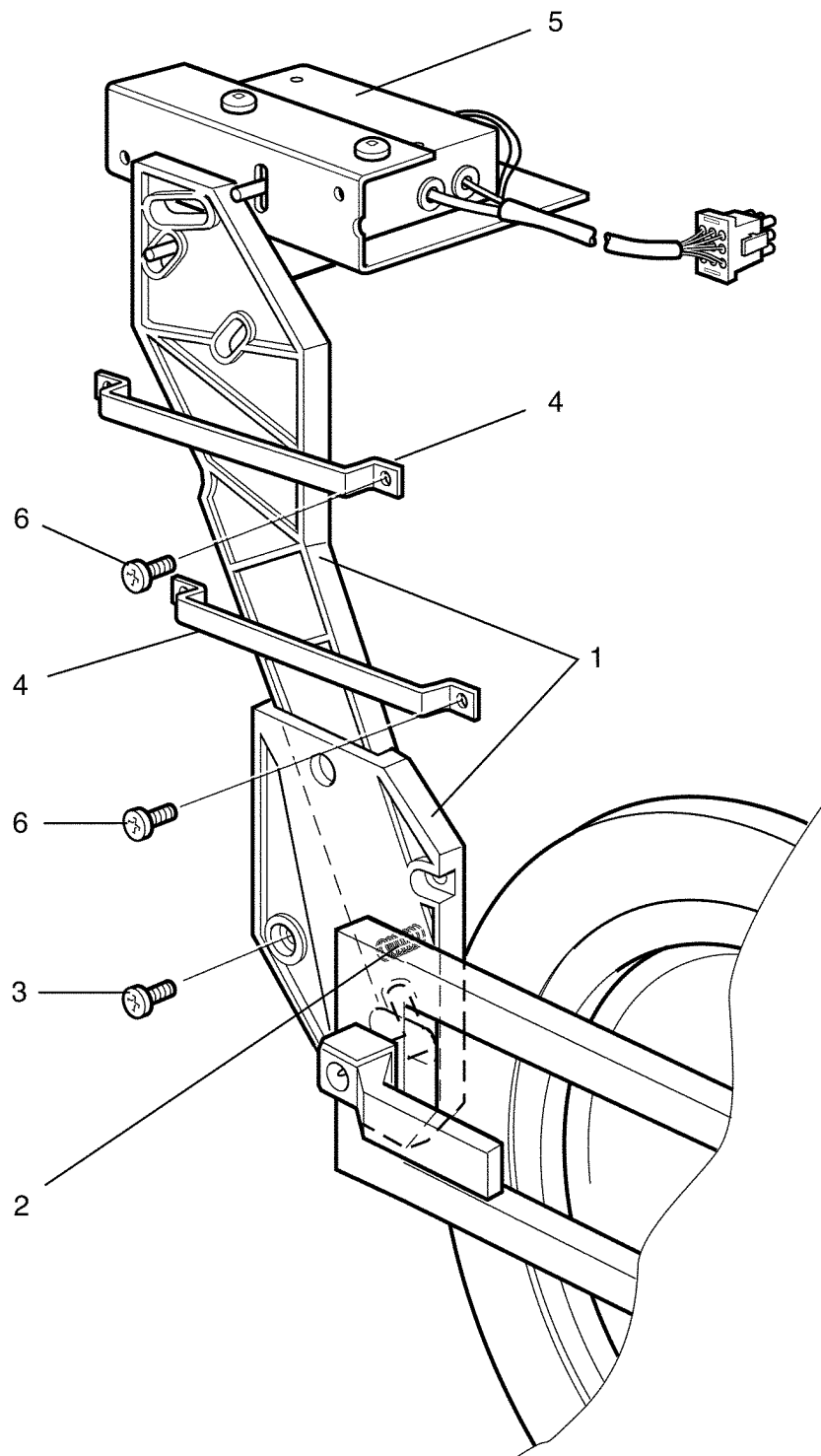
**EX30,EX30 Aqua Clean,EX30 DBS**

**Electric components**

**Composants électriques**

Illustration Issue Month Year  
Schéma Issue Month Year  
**101636/2 4 9 2002**

Item Article	Qua. Qua.	Art.No Réf. article	Description	Description	Info Info	Notes Remarques
<b>1</b>	1	<b>432 0631-01</b>	Mounting plate	Plaque de montage	3	
<b>2</b>	1	<b>438 9636-72</b>	Contactor	Relais	1,2	50Hz, K3-22
	1	<b>438 9636-73</b>	Contactor	Relais	1,2	60Hz
	2	<b>438 9636-02</b>	Contactor	Relais	1,2	50Hz
	2	<b>438 9636-03</b>	Contactor	Relais	1,2	60Hz
<b>3</b>	2	<b>471 8750-11</b>	Fuse	Porte-fusible	1,2	1,25A 5X20MM
<b>4</b>	2	<b>471 8756-51</b>	Insert	Insertion	1,2	5X20MM
<b>5</b>	2	<b>471 8777-02</b>	Circuit breaker	Fusible	1,2	16A
<b>6</b>	2	<b>471 7182-23</b>	Rail	Support	3	
<b>7</b>	6	<b>471 8781-11</b>	Block	Cale	3	
<b>8</b>	RQ	<b>471 8781-02</b>	Block	Cale	3	Orange
<b>9</b>	RQ	<b>471 8781-01</b>	Block	Cale	3	Grey
<b>10</b>	RQ	<b>471 8781-03</b>	Block	Cale	3	Yellow/Green
<b>11</b>	1	<b>471 7859-11</b>	Clamp	Attache	3	
	1	<b>471 7859-16</b>	Clamp	Attache	3	Upper part
<b>12</b>	1	<b>471 9678-11</b>	Main switch	Main switch	1,2	3-pole, 25A -00/15543
	1	<b>471 9678-41</b>	Main switch	Main switch	1,2	3-pole, 25A 00/15544-
	1	<b>471 9678-13</b>	Main switch	Main switch	1,2	-00/15652
	1	<b>471 9678-43</b>	Main switch	Main switch	1,2	00/15653-
	1	<b>471 9678-21</b>	Main switch	Main switch	1,2	4-pole, 25A -00/15586
	1	<b>471 9678-51</b>	Main switch	Main switch	1,2	4-pole, 25A 00/15587-
	1	<b>471 9678-23</b>	Main switch	Main switch	1,2	4-pole, 40A -00/15652
	1	<b>471 9678-53</b>	Main switch	Main switch	1,2	4-pole, 40A 00/15653-
	1	<b>471 9678-94</b>	Knob	Bouton	3	00/15544-
<b>13</b>	1	<b>432 0639-01</b>	Cover	Couvercle	3	
<b>14</b>	1	<b>471 9649-05</b>	Relay	Relais	1,2	
<b>15</b>	1	<b>471 9649-02</b>	Socket	Douille	1	
<b>16</b>	1	<b>471 9649-12</b>	Clamp	Bride de fixation	3	
<b>17</b>	2	<b>471 8342-07</b>	Screw	Vis	3	
<b>18</b>	1	<b>471 9573-02</b>	Rectifier	Redresseur	1,2	
<b>19</b>	1	<b>471 7182-22</b>	Rail	Support	3	
<b>20</b>	8	<b>471 8342-11</b>	Screw	Vis	3	MRT-TT 4X6
<b>21</b>	1	<b>432 0550-01</b>	Cable set	Jeu de câbles	3	
<b>22</b>	1	<b>432 0550-57</b>	Cable set	Jeu de câbles	3	AWG 12
	1	<b>432 0550-58</b>	Cable set	Jeu de câbles	3	AWG 10
<b>23</b>	1	<b>432 0550-98</b>	Cable set	Jeu de câbles	3	
<b>24</b>	1	<b>432 0550-95</b>	Cable set	Jeu de câbles	3	
<b>25</b>	1	<b>432 0550-35</b>	Cable set	Jeu de câbles	3	
<b>26</b>	1	<b>432 0550-36</b>	Cable set	Jeu de câbles	3	



Issue	Month	Year
01	01	99

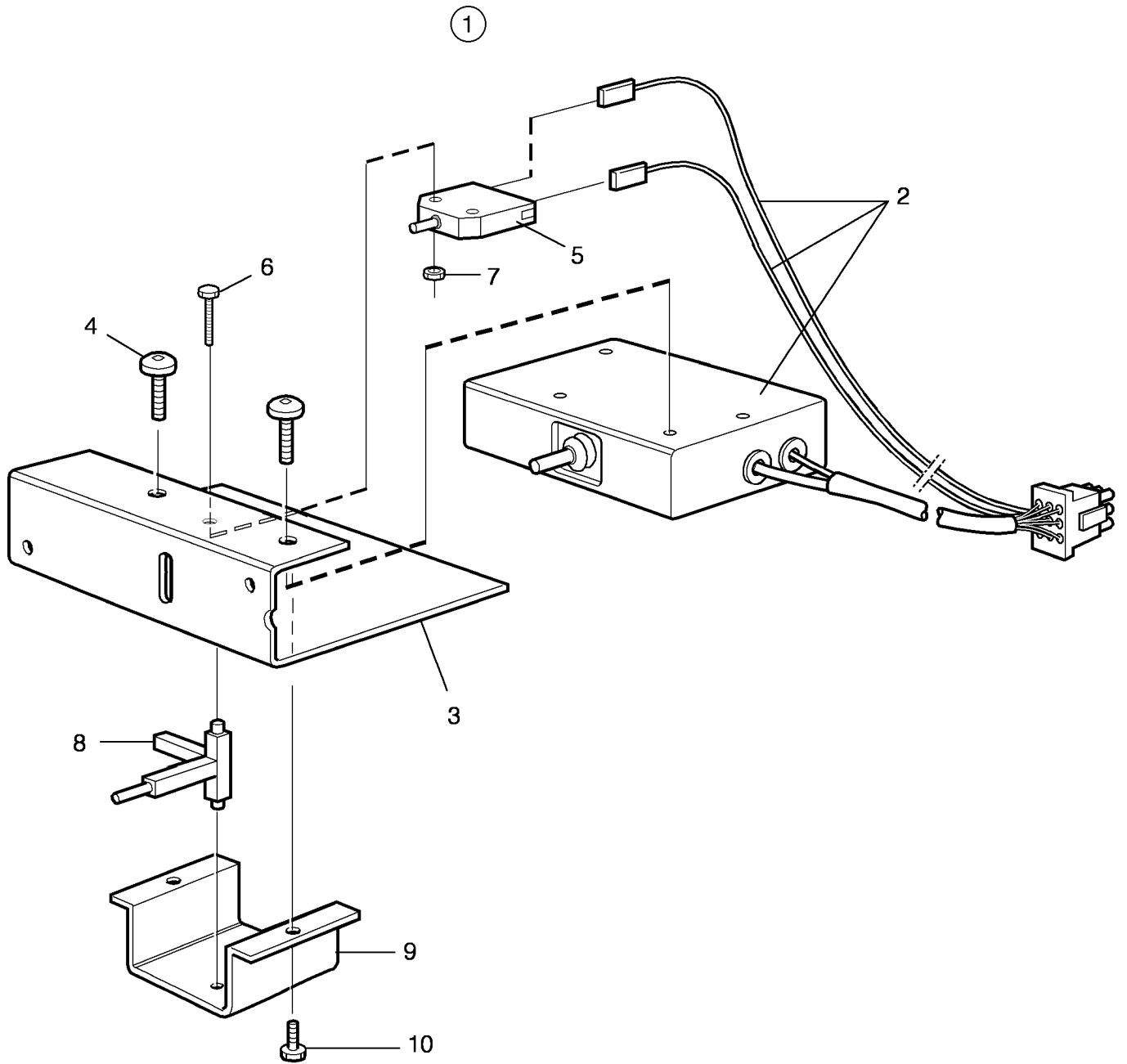
**EX30,EX30 Aqua Clean,EX30 DBS,EX30S,EX30S DBS,EX30S Mop Master**

**Door locking system**

Illustration	Issue	Month	Year
Schéma	Issue	Month	Year
<b>101640</b>	<b>2</b>	<b>9</b>	<b>2002</b>

**Serrure de porte**

Item Article	Quantity Quantité	Art.No Réf. article	Description	Description	Info Info	Notes Remarques
			EX30S,EX30S DBS,EX30S Mop Master			
			EX30,EX30 Aqua Clean,EX30 DBS			
<b>1</b>	1	1	<b>472 9901-33</b>	Arm and plate	1	Kit compl
<b>2</b>	1	1	<b>471 7803-21</b>	•Spring	3	
<b>3</b>	4	4	<b>471 8342-44</b>	Screw	3	MRT-TT 6X12
<b>4</b>	2	2	<b>472 9187-01</b>	Clamp	3	
<b>5</b>	1	1		Door locking device	1,2	See illustr. 101637
<b>6</b>	4	4	<b>471 8342-11</b>	Screw	3	MRT-TT 4X6





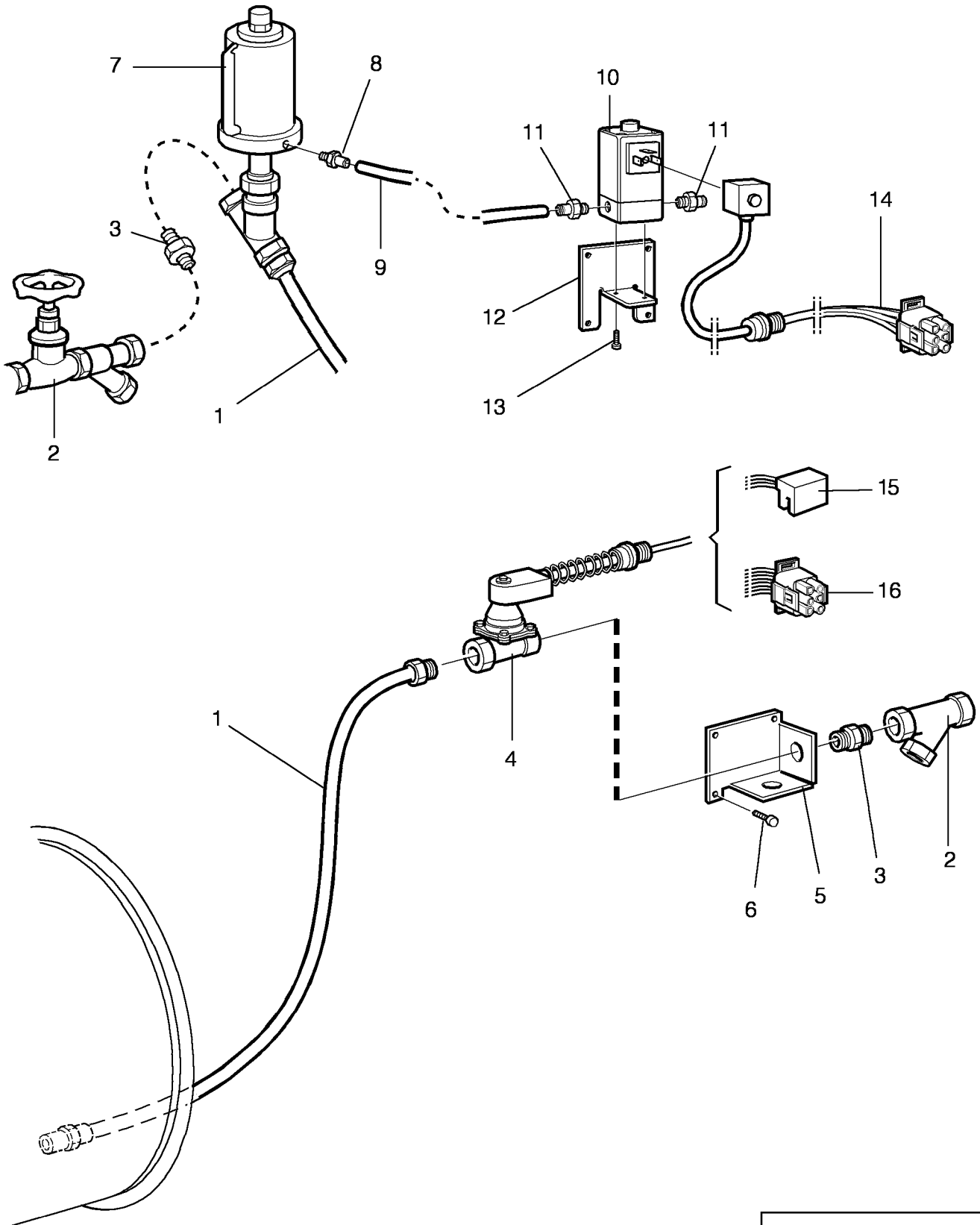
**EX30,EX30 Aqua Clean,EX30 DBS,EX30S,EX30S DBS,EX30S Mop Master**

**Door locking device**

**Serrure de porte**

Illustration Issue Month Year  
Schéma Issue Month Year  
**101637/2 3 6 2000**

Item Article	Quantity Quantité	Art.No Réf. article	Description	Description	Info Info	Notes Remarques
			EX30S,EX30S DBS,EX30S Mop Master			
			EX30,EX30 Aqua Clean,EX30 DBS			
<b>1</b>	1	<b>432 0555-01</b>	Door locking device	Serrure de porte		
<b>2</b>	1	<b>432 0550-22</b>	•Actuator	•Actuator	1,2	With cablage
<b>3</b>	1	<b>432 0637-01</b>	•Mounting plate	•Plaque de montage	3	
<b>4</b>	2	<b>471 8341-24</b>	•Screw	•Vis	3	M5X12
<b>5</b>	1	<b>471 9654-03</b>	•Microswitch	•Microrupteur	1,2	
<b>6</b>	2	<b>471 8341-17</b>	•Screw	•Vis	3	M4X25
<b>7</b>	2	<b>732 2112-01</b>	•Locking nut	•Contre-écrou	3	M4
<b>8</b>	1	<b>438 4149-01</b>	•Rocker arm	•Lever basculant	3	
<b>9</b>	1	<b>432 0638-01</b>	•Mounting plate	•Plaque de montage	3	
<b>10</b>	2	<b>471 8342-11</b>	•Screw	•Vis	3	MRT-TT 4X6



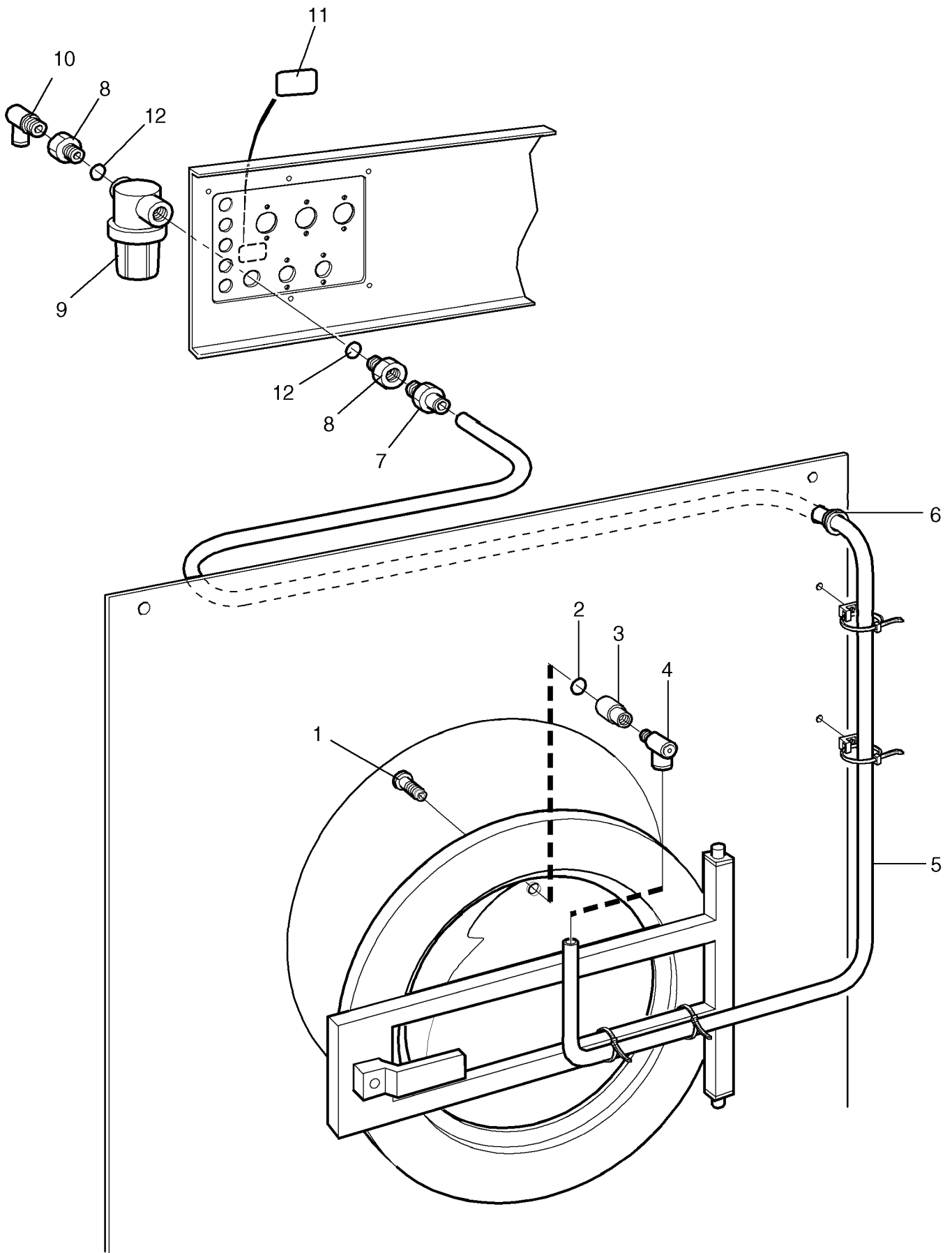
**EX30,EX30 Aqua Clean,EX30 DBS,EX30S,EX30S DBS,EX30S Mop Master**

**Steam components**

Illustration Issue Month Year  
Schéma Issue Month Year  
**101652/3 4 8 2001**

**Composant vapeur**

Item Article	Quantity Quantité	Art.No Réf. article	Description	Description	Info Info	Notes Remarques
EX30 DBS,EX30S,EX30S DBS,EX30S Mop Master						
EX30,EX30 Aqua Clean						
1	1	1	471 8126-14	Hose	1,2	L=1350
2	1	1	471 9004-46	Filter	1,2	
3	1	1	741 3113-21	Nipple	3	
4	1	1	471 8279-03	Valve	1,2	50/60 Hz
	1	1	471 8279-08	•Repair kit	1,2	
5	1	1	472 6173-01	Bracket	3	
6	4	4	729 9342-61	Screw	3	4,2X13
7	1	1	471 8232-10	Valve	1,2	Air controlled
8	1	1	471 8690-31	Connection	3	
9	1	1	471 2453-46	Hose	1	L=1650
10	1	1	471 9202-32	Solenoid valve	1,2	50Hz
11	2	2	471 8690-32	Connection	3	
12	1	1	432 0732-01	Mounting plate	3	
13	RQ	RQ	471 8342-13	Screw	3	MRT-TT 4X10
14	1	1	432 0550-64	Cable set	3	
15	1	1	432 0550-61	Cable set	3	Exacta
16	1	1	432 0550-63	Cable set	3	Clarus



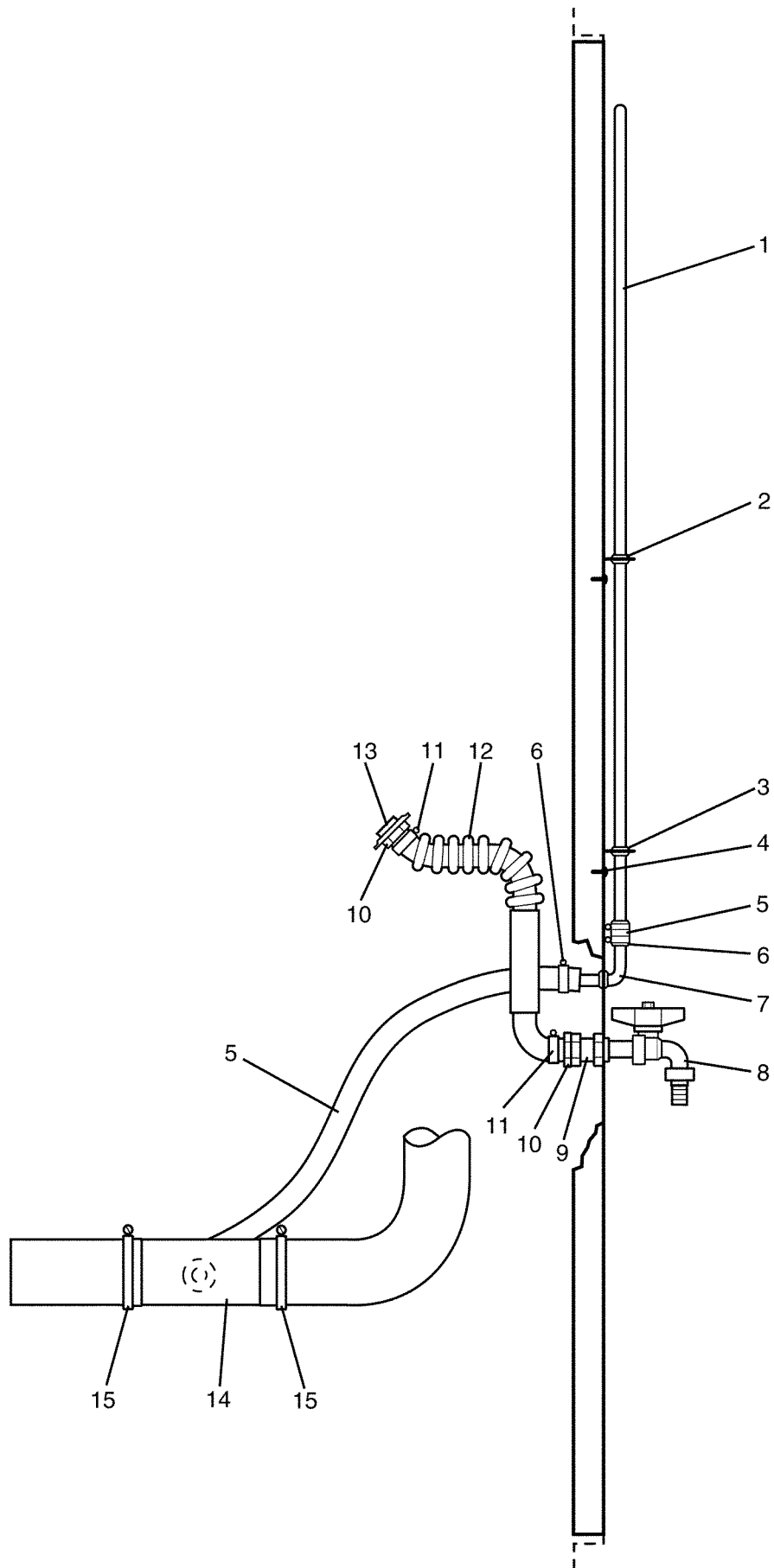
**EX30 Aqua Clean**

**Spray system**

**Assemblage articulé et plaque**

Illustration Issue Month Year  
Schéma Issue Month Year  
**101653/3 3 9 2002**

Item Article	Qua. Qua.	Art.No Réf. article	Description	Description	Info Info	Notes Remarques
<b>1</b>	1	<b>471 9883-02</b>	Nozzle	Tuyère	1	
<b>2</b>	2	<b>740 4209-00</b>	O-ring	Joint torique	1	
<b>3</b>	1	<b>471 9884-01</b>	Muff	Tubulure	3	
<b>4</b>	1	<b>471 8690-21</b>	Angle connector	Raccord d'angle	3	8/6
<b>5</b>	1	<b>471 8143-02</b>	Hose	Flexible	1,2	L=5000
<b>6</b>	1	<b>762 1116-10</b>	Grommet	Oeillet	3	
<b>7</b>	1	<b>471 8688-14</b>	Nipple	Raccord	3	
<b>8</b>	2	<b>471 8636-20</b>	Nipple	Raccord	3	
<b>9</b>	1	<b>438 4125-01</b>	Filter	Filtre	1,2	
<b>10</b>	1	<b>471 8690-28</b>	Angle connector	Raccord d'angle	3	
<b>11</b>	1	<b>471 4672-08</b>	Sign	Signe	3	
<b>12</b>	1	<b>740 4811-03</b>	O-ring	Joint torique	3	



Issue	Month	Year
02	01	99

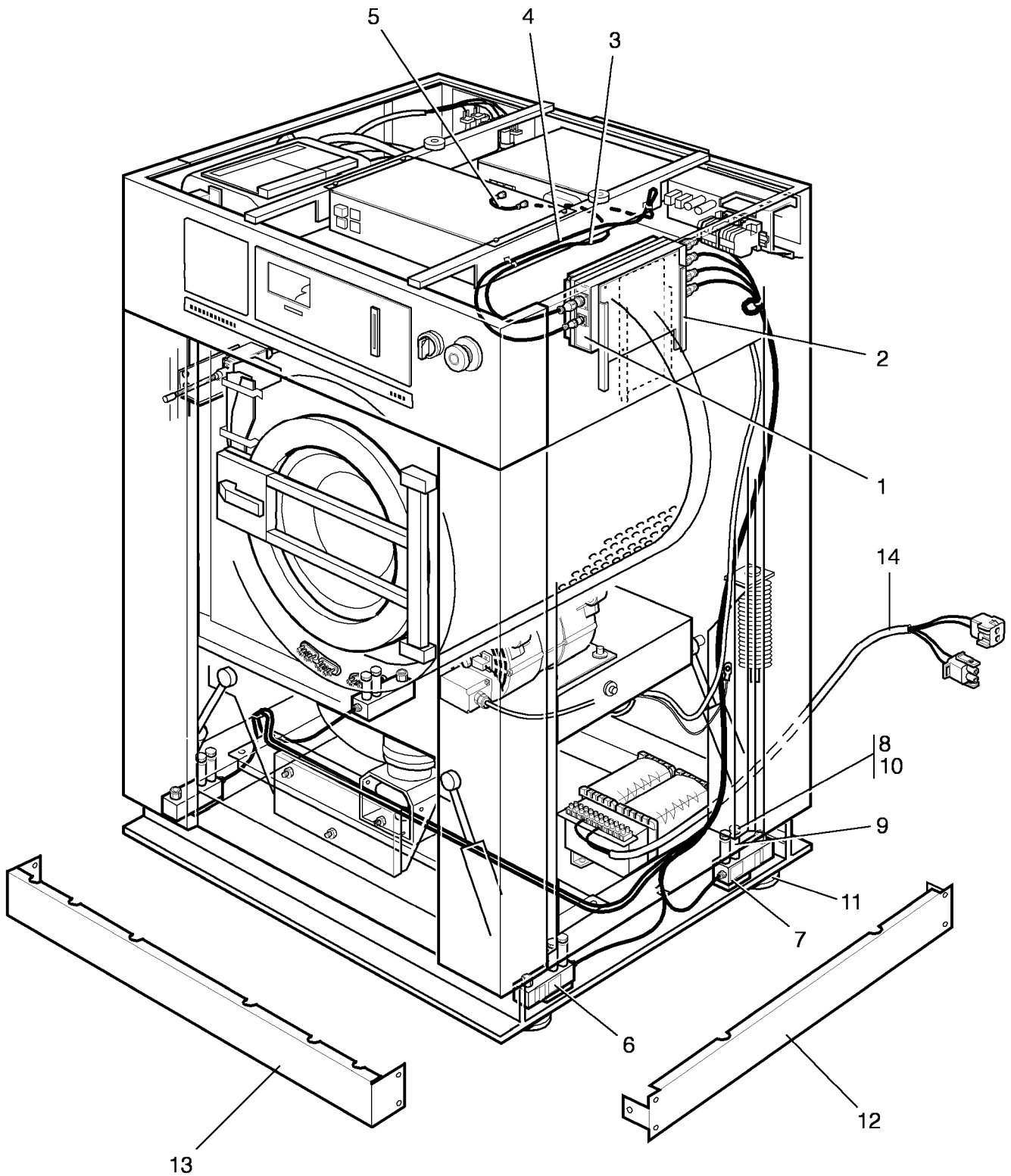
**EX30,EX30 Aqua Clean,EX30 DBS**

**Level tube and test tap**

**Tuyau de niveau et robinet de test**

Illustration Issue Month Year  
Schéma Issue Month Year  
**101398/2 1 2 1999**

Item Article	Qua. Qua.	Art.No Réf. article	Description	Description	Info Info	Notes Remarques
<b>1</b>	1	<b>471 8665-03</b>	Glass gauge	Tube à niveau d'eau	3	
<b>2</b>	3	<b>471 8164-01</b>	Grommet	Oeillet	3	
<b>3</b>	2	<b>471 2841-01</b>	Bracket	Support de montage	3	
<b>4</b>	4	<b>471 8344-13</b>	Screw	Vis	3	M4X10
<b>5</b>	RQ	<b>877 5211-08</b>	Hose	Flexible	1	Per 1 m
<b>6</b>	4	<b>736 2816-51</b>	Hose clamp	Attache flexible	3	Ø13-19
<b>7</b>	1	<b>472 6345-01</b>	Elbow	Tube coudé	3	
<b>8</b>	1	<b>471 8238-01</b>	Tap	Robinet	3	
<b>9</b>	1	<b>471 8690-04</b>	Muff	Tubulure	3	
<b>10</b>	2	<b>471 8623-01</b>	Connection	Embrayage	3	1/2"
<b>11</b>	2	<b>736 2825-51</b>	Hose clamp	Attache flexible	3	Ø32
<b>12</b>	1	<b>438 5032-02</b>	Hose	Flexible	1	
<b>13</b>	1	<b>472 6502-02</b>	Mounting plate	Plaque de montage	3	
<b>14</b>	1	<b>471 4670-15</b>	T-pipe	Tube en T	3	
<b>15</b>	2	<b>736 2840-51</b>	Hose clamp	Attache flexible	3	Ø50-63





**EX30,EX30 Aqua Clean,EX30 DBS**

**Weighing device**

**Unité de balance**

Illustration Issue Month Year  
Schéma Issue Month Year  
**101666/2 2 6 2000**

Item Article	Qua. Qua.	Art.No Réf. article	Description	Description	Info Info	Notes Remarques
<b>1</b>	1	<b>471 8822-01</b>	Weighing device	Unité de balance	1	RS 232 interface
<b>2</b>	1	<b>432 0541-01</b>	Mounting plate	Plaque de montage	3	
<b>3</b>	1	<b>471 8822-23</b>	Cable	Câble	1	Signal
<b>4</b>	1	<b>471 8822-21</b>	Cable	Câble	1	Voltage Voltage
<b>5</b>	1	<b>432 0550-97</b>	Cable	Câble	1	Communication
<b>6</b>	4	<b>471 8822-11</b>	Load cell	Load cell	1	With cablage
<b>7</b>	4	<b>432 0469-01</b>	Spacer washer	Rondelle écartement	3	
<b>8</b>	8	<b>725 2558-51</b>	Screw	Vis	3	M12X130
<b>9</b>	8	<b>432 0641-03</b>	Spacer tube	Tube écartement	3	
<b>10</b>	8	<b>732 2122-01</b>	Locking nut	Contre-écrou	3	M12
<b>11</b>	4	<b>438 8154-01</b>	Foot	Pied	3	
<b>12</b>	2	<b>432 0539-01</b>	Side panel	Panneau latéral	3	
<b>13</b>	1	<b>432 0540-01</b>	Front panel	Panneau avant	3	
<b>14</b>	1	<b>432 0550-09</b>	Cable set	Jeu de câbles	3	



## Numerical index/Numerical index

Art.No/Réf. article	Page/Page	Art.No/Réf. article	Page/Page	Art.No/Réf. article	Page/Page	Art.No/Réf. article	Page/Page
432 0142-01	35	432 0550-98	45	432 0805-32	35	471 2841-01	55
432 0149-01	29	432 0555-01	49	432 0805-33	35	471 2937-02	41
432 0150-01	29	432 0621-01	25	432 0805-34	35	471 4589-01	31
432 0469-01	57	432 0621-01	27	432 0805-35	35	471 4590-01	31
432 0516-01	7	432 0621-02	29	432 2164-05	11	471 4591-01	31
432 0516-02	7	432 0624-01	39	432 3087-11	33	471 4596-01	31
432 0516-03	7	432 0625-01	11	438 0033-01	21	471 4651-24	39
432 0516-04	7	432 0626-01	11	438 0083-01	39	471 4670-15	55
432 0518-01	23	432 0626-02	11	438 0084-03	39	471 4671-48	21
432 0519-01	11	432 0626-03	11	438 0127-01	39	471 4672-08	53
432 0519-02	11	432 0626-04	11	438 0151-01	11	471 4876-06	31
432 0519-03	11	432 0627-03	11	438 0244-02	39	471 5103-04	39
432 0519-04	11	432 0627-04	11	438 0260-01	25	471 6664-60	39
432 0520-01	11	432 0628-01	11	438 0299-01	35	471 7182-22	43
432 0520-02	11	432 0628-02	11	438 0299-10	25	471 7182-22	45
432 0520-03	11	432 0628-03	11	438 0299-10	27	471 7182-23	43
432 0520-04	11	432 0629-01	41	438 0333-01	25	471 7182-23	45
432 0520-05	11	432 0630-01	11	438 0333-04	25	471 7674-01	21
432 0522-01	9	432 0631-01	43	438 0333-41	25	471 7694-01	25
432 0533-01	7	432 0631-01	45	438 0422-01	21	471 7694-02	25
432 0534-01	7	432 0632-01	35	438 0440-01	21	471 7694-03	25
432 0535-01	7	432 0632-02	35	438 4073-01	27	471 7694-04	25
432 0538-01	29	432 0633-01	35	438 4076-01	27	471 7694-05	25
432 0539-01	57	432 0635-01	33	438 4116-01	21	471 7694-36	27
432 0540-01	57	432 0636-01	33	438 4123-01	11	471 7694-46	29
432 0541-01	57	432 0637-01	49	438 4125-01	53	471 7694-49	25
432 0546-01	23	432 0638-01	49	438 4126-02	21	471 7711-03	23
432 0550-01	43	432 0639-01	43	438 4127-02	21	471 7712-03	25
432 0550-01	45	432 0639-01	45	438 4128-01	21	471 7712-04	29
432 0550-04	13	432 0641-01	23	438 4129-01	21	471 7712-15	27
432 0550-05	37	432 0641-03	57	438 4132-02	21	471 7803-21	47
432 0550-06	37	432 0642-01	11	438 4134-02	39	471 7807-01	7
432 0550-07	37	432 0644-01	11	438 4149-01	49	471 7814-02	21
432 0550-08	37	432 0645-01	23	438 4214-01	21	471 7816-01	15
432 0550-09	57	432 0732-01	51	438 4214-02	21	471 7817-01	31
432 0550-10	35	432 0805-01	35	438 4226-11	21	471 7826-13	27
432 0550-11	29	432 0805-02	35	438 4226-12	21	471 7826-20	27
432 0550-12	35	432 0805-03	35	438 4268-01	11	471 7826-98	27
432 0550-13	35	432 0805-04	35	438 4269-01	11	471 7859-11	43
432 0550-15	33	432 0805-05	35	438 4277-01	7	471 7859-11	45
432 0550-16	33	432 0805-06	35	438 5032-02	55	471 7859-16	43
432 0550-20	33	432 0805-07	35	438 5154-01	25	471 7859-16	45
432 0550-22	49	432 0805-08	35	438 5154-01	27	471 7864-01	7
432 0550-35	45	432 0805-09	35	438 5154-01	29	471 7864-01	21
432 0550-36	45	432 0805-10	35	438 5226-01	11	471 7958-01	33
432 0550-40	23	432 0805-11	35	438 5335-01	11	471 7958-01	35
432 0550-42	37	432 0805-12	35	438 5341-01	25	471 7958-02	35
432 0550-45	23	432 0805-13	35	438 5341-01	27	471 7961-02	21
432 0550-49	9	432 0805-14	35	438 6026-05	39	471 7967-01	41
432 0550-57	45	432 0805-15	35	438 8154-01	57	471 8126-14	51
432 0550-58	45	432 0805-16	35	438 9555-01	33	471 8139-08	17
432 0550-60	43	432 0805-17	35	438 9555-01	35	471 8143-02	53
432 0550-61	51	432 0805-18	35	438 9636-02	43	471 8149-01	11
432 0550-62	43	432 0805-19	35	438 9636-02	45	471 8149-11	11
432 0550-63	51	432 0805-20	35	438 9636-03	43	471 8153-00	29
432 0550-64	51	432 0805-21	35	438 9636-03	45	471 8159-06	9
432 0550-66	29	432 0805-22	35	438 9636-72	43	471 8164-01	55
432 0550-70	41	432 0805-23	35	438 9636-72	45	471 8192-01	7
432 0550-71	41	432 0805-24	35	438 9636-73	43	471 8196-01	11
432 0550-72	41	432 0805-25	35	438 9636-73	45	471 8197-02	29
432 0550-81	31	432 0805-26	35	471 2076-71	7	471 8232-10	51
432 0550-85	27	432 0805-27	35	471 2408-08	21	471 8238-01	55
432 0550-87	29	432 0805-28	35	471 2416-83	9	471 8252-05	7
432 0550-91	43	432 0805-29	35	471 2425-28	39	471 8276-02	17
432 0550-95	45	432 0805-30	35	471 2433-14	39	471 8279-03	51
432 0550-97	57	432 0805-31	35	471 2453-46	51	471 8279-08	51

## Numerical index/Numerical index

Art.No/Réf. article	Page/Page	Art.No/Réf. article	Page/Page	Art.No/Réf. article	Page/Page	Art.No/Réf. article	Page/Page
471 8308-09	15	471 8822-11	57	471 9811-11	7	472 9146-09	11
471 8310-02	17	471 8822-21	57	471 9811-13	7	472 9146-10	11
471 8311-00	17	471 8822-23	57	471 9811-17	7	472 9147-01	11
471 8317-05	19	471 8859-06	33	471 9883-02	53	472 9147-02	11
471 8340-26	25	471 8859-06	35	471 9884-01	53	472 9147-03	11
471 8340-26	27	471 8910-90	31	472 5763-01	25	472 9147-04	11
471 8340-26	29	471 8910-91	31	472 5763-02	25	472 9159-01	11
471 8341-17	49	471 8920-03	27	472 5763-03	25	472 9159-02	11
471 8341-24	49	471 8988-04*	25	472 5763-04	25	472 9159-03	11
471 8341-44	11	471 8988-04	27	472 5763-05	25	472 9159-04	11
471 8341-46	11	471 8993-01	35	472 5763-06	25	472 9159-13	11
471 8341-50	21	471 8995-11	35	472 5770-01	27	472 9159-14	11
471 8341-85	21	471 8995-12	35	472 5775-01	29	472 9187-01	47
471 8342-07	43	471 8995-13	35	472 5778-01	25	472 9768-01	17
471 8342-07	45	471 8997-03	29	472 6008-01	7	472 9768-01	19
471 8342-11	43	471 9004-46	51	472 6008-02	7	472 9901-19	17
471 8342-11	45	471 9004-75	25	472 6008-02	15	472 9901-33	47
471 8342-11	47	471 9004-75	27	472 6009-02	15	472 9903-64	17
471 8342-11	49	471 9004-75	29	472 6014-00	39	472 9904-55	11
471 8342-13	33	471 9037-73	9	472 6024-00	39	472 9904-56	11
471 8342-13	51	471 9075-57	7	472 6025-00	39	472 9904-57	11
471 8342-44	47	471 9202-32	51	472 6083-00	7	472 9904-58	11
471 8343-22	7	471 9222-59	17	472 6149-05	17	472 9912-07	17
471 8344-13	55	471 9529-10	33	472 6150-01	7	472 9912-08	17
471 8344-26	7	471 9529-10	35	472 6173-01	51	472 9912-09	17
471 8344-33	11	471 9550-14	11	472 6239-10	19	472 9913-22	7
471 8356-05	23	471 9550-19	13	472 6345-01	55	724 1226-01	31
471 8356-07	15	471 9558-11	33	472 6457-01	7	725 2331-51	31
471 8502-06	7	471 9573-02	43	472 6457-02	7	725 2366-61	7
471 8502-10	23	471 9573-02	45	472 6458-01	7	725 2453-51	7
471 8551-02	17	471 9578-50	23	472 6458-01	15	725 2453-51	23
471 8554-01	19	471 9608-01	9	472 6458-02	7	725 2493-51	7
471 8576-02	15	471 9628-22	29	472 6458-02	15	725 2495-51	7
471 8614-04	9	471 9628-31	29	472 6464-02	39	725 2501-51	7
471 8619-03	7	471 9628-32	29	472 6498-02	43	725 2505-51	7
471 8623-01	9	471 9628-33	29	472 6502-01	7	725 2511-51	23
471 8623-01	41	471 9628-90	29	472 6502-02	7	725 2521-51	17
471 8623-01	55	471 9628-99	29	472 6502-02	55	725 2558-51	57
471 8636-20	53	471 9649-02	43	472 6511-02	17	725 6452-42	19
471 8665-03	55	471 9649-02	45	472 6561-01	39	729 9342-61	51
471 8688-03	17	471 9649-05	43	472 6580-02	7	731 2310-01	31
471 8688-14	53	471 9649-05	45	472 6580-02	15	731 2312-01	31
471 8690-04	55	471 9649-12	43	472 6581-03	7	731 2314-01	31
471 8690-21	53	471 9649-12	45	472 6592-02	15	731 2318-01	15
471 8690-28	53	471 9654-03	49	472 6604-01	17	731 2318-42	19
471 8690-31	51	471 9678-11	43	472 6604-03	17	732 2112-01	25
471 8690-32	51	471 9678-11	45	472 6604-06	17	732 2112-01	49
471 8690-72	17	471 9678-13	43	472 6604-06	19	732 2114-92	7
471 8750-11	43	471 9678-13	45	472 6604-07	17	732 2118-01	7
471 8750-11	45	471 9678-21	43	472 6609-02	17	732 2118-01	17
471 8750-22	37	471 9678-21	45	472 6612-04	7	732 2120-01	7
471 8756-51	43	471 9678-23	43	472 6623-01	19	732 2120-01	15
471 8756-51	45	471 9678-23	45	472 6624-01	19	732 2120-01	17
471 8777-02	43	471 9678-41	43	472 6632-03	17	732 2120-01	23
471 8777-02	45	471 9678-41	45	472 6644-02	17	732 2122-01	23
471 8781-01	43	471 9678-43	43	472 6761-01	41	732 2122-01	57
471 8781-01	45	471 9678-43	45	472 7661-02	15	732 3116-14	21
471 8781-02	43	471 9678-51	43	472 8754-12	39	733 7821-41	7
471 8781-02	45	471 9678-51	45	472 8895-01	31	734 1146-09	7
471 8781-03	43	471 9678-53	43	472 9141-11	7	734 1153-09	21
471 8781-03	45	471 9678-53	45	472 9141-12	7	734 1164-01	17
471 8781-11	43	471 9678-94	43	472 9141-13	7	734 1164-01	23
471 8781-11	45	471 9678-94	45	472 9146-01	11	734 1173-01	7
471 8792-01	35	471 9742-03	23	472 9146-02	11	734 1173-01	15
471 8793-01	29	471 9770-01	37	472 9146-05	11	734 1173-01	17
471 8822-01	57	471 9803-10	7	472 9146-06	11	734 1178-01	23

Numerical index/Numerical index

Art.No/Réf. article	Page/Page	Art.No/Réf. article	Page/Page	Art.No/Réf. article	Page/Page	Art.No/Réf. article	Page/Page
734 1178-09	9						
735 2136-01	25						
735 3126-01	21						
735 3147-40	17						
735 3168-10	17						
736 2119-11	39						
736 2816-51	7						
736 2816-51	41						
736 2816-51	55						
736 2825-51	9						
736 2825-51	39						
736 2825-51	41						
736 2825-51	55						
736 2831-51	39						
736 2837-51	39						
736 2840-51	39						
736 2840-51	55						
736 2846-51	39						
740 4209-00	17						
740 4209-00	53						
740 4811-03	53						
741 3113-21	51						
741 4114-20	41						
741 6113-20	17						
762 1116-10	53						
762 3211-01	33						
762 3211-01	35						
762 3231-01	33						
762 3231-01	35						
762 3251-01	35						
877 5211-08	41						
877 5211-08	55						
877 5252-01	41						





## **WASCOMAT**

461 Doughty Blvd., Inwood, L.I., N.Y. 11096-0338

Telephone: 516-371-4400

Parts and Service FAX: 516-371-4029

Sales and Administration FAX: 516-371-4204