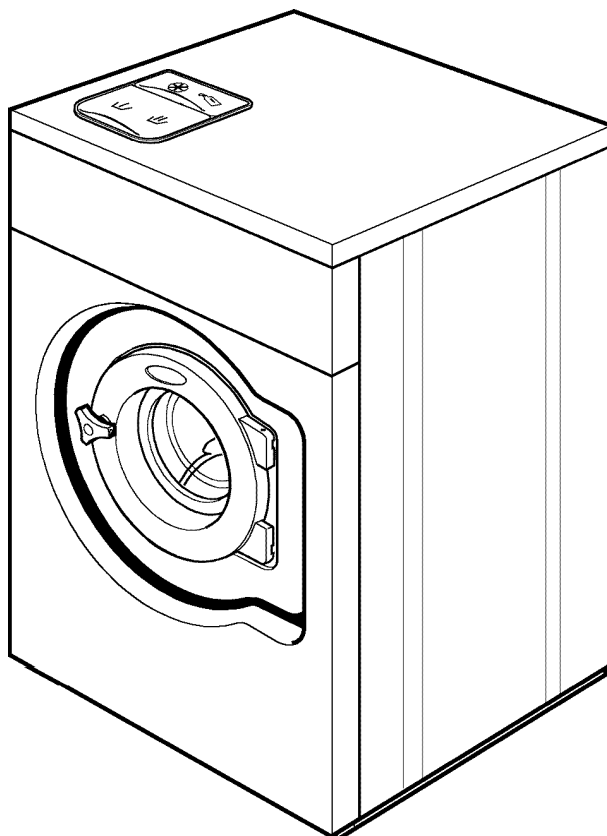


**WASCOMAT**

Spare Parts Catalogue

Catalogue de pièces de rechange

---



SU675 Compass

Washer extractor

Laveusesessoreuses

---

Up to machine No. -795/102509

DOC. NO. **438 9036-12**  
EDITION 19.2010



## List of issues

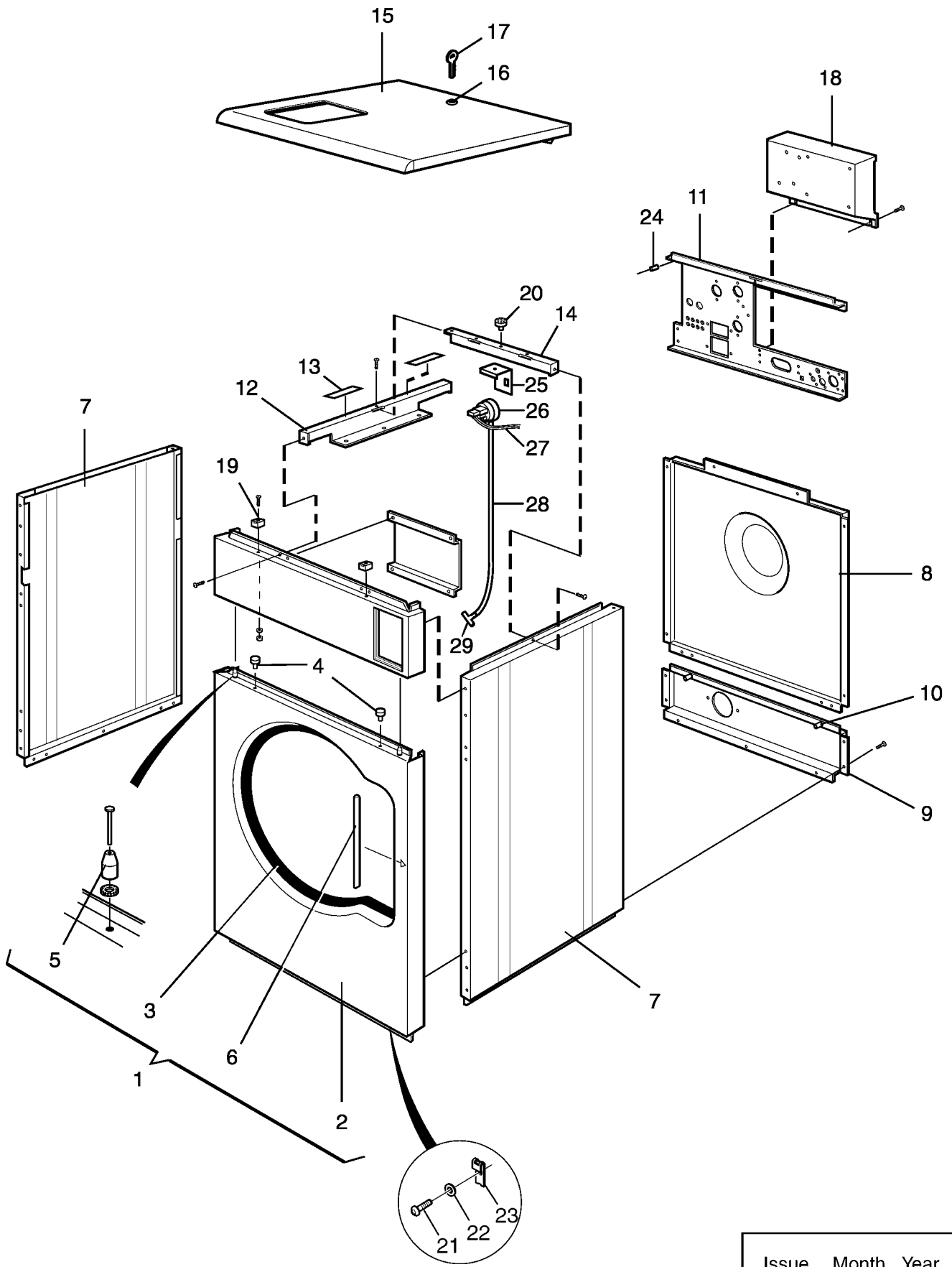
### SU675 Compass

Illustration	Page	Table of contents
102300	7	Lining and top panel
102301	11	Drum, rear gable
102302	13	Door and hinged joint
102316	31	Water connections
102343	37	Drain valve
102344	43	Detergent container
102378	21	Control panel
102380	27	Electric components connection
102383	33	Inlet valves and cable set
102385	35	Inlet valves and cable set
102486	61	Compass control loader
102491	19	Motor control
102492	39	Drain valve, electrical
102500	15	Door lock
102501	41	Steam components
102502	9	Base and outer drum
102503	29	Drain valve and hoses
102504	17	Motor
102596	45	Emergency stop
102663	47	Key switch
102672	59	Coin meter
102679	23	Programmer
500109	51	Coin box
500110	53	Coinbox USA
500114	55	Electronic coin meter
500115	49	Coin box



## SU675 Compass

Table of contents	Table des matières	Page/Page
Lining and top panel	Panneau frontal avec pupitre de commande	7
Base and outer drum	Base et tambour externe	9
Drum, rear gable	Tambour, pignon arrière	11
*Door and hinged joint	Assemblage articulé et plaque	13
Door lock	Serrure de porte	15
Motor	Moteur	17
Motor control	Contrôle du moteur	19
Control panel	Pupitre de commande	21
Programmer	Minuterie	23
Electric components connection	Composants électriques raccordement électrique	27
Drain valve and hoses	Purgeur et flexible	29
Water connections	Raccords d'eau	31
Inlet valves and cable set	Inlet valves and cable set	33
Inlet valves and cable set	Inlet valves and cable set	35
Drain valve	Vanne de vidange	37
Drain valve, electrical	Drain valve, electrical	39
Steam components	Composants	41
Detergent container	Compartiment à savon	43
Emergency stop	Arrêt d'urgence	45
Key switch	Commutateur à touche	47
Coin box	Boîtier à jetons	49
Coin box	Boîtier à jetons	51
Coinbox USA	Boîtier à jetons USA	53
Electronic coin meter	Monnayeur électronique	55
Coin meter	Monnayeur	59
Compass control loader	Compass control loader	61



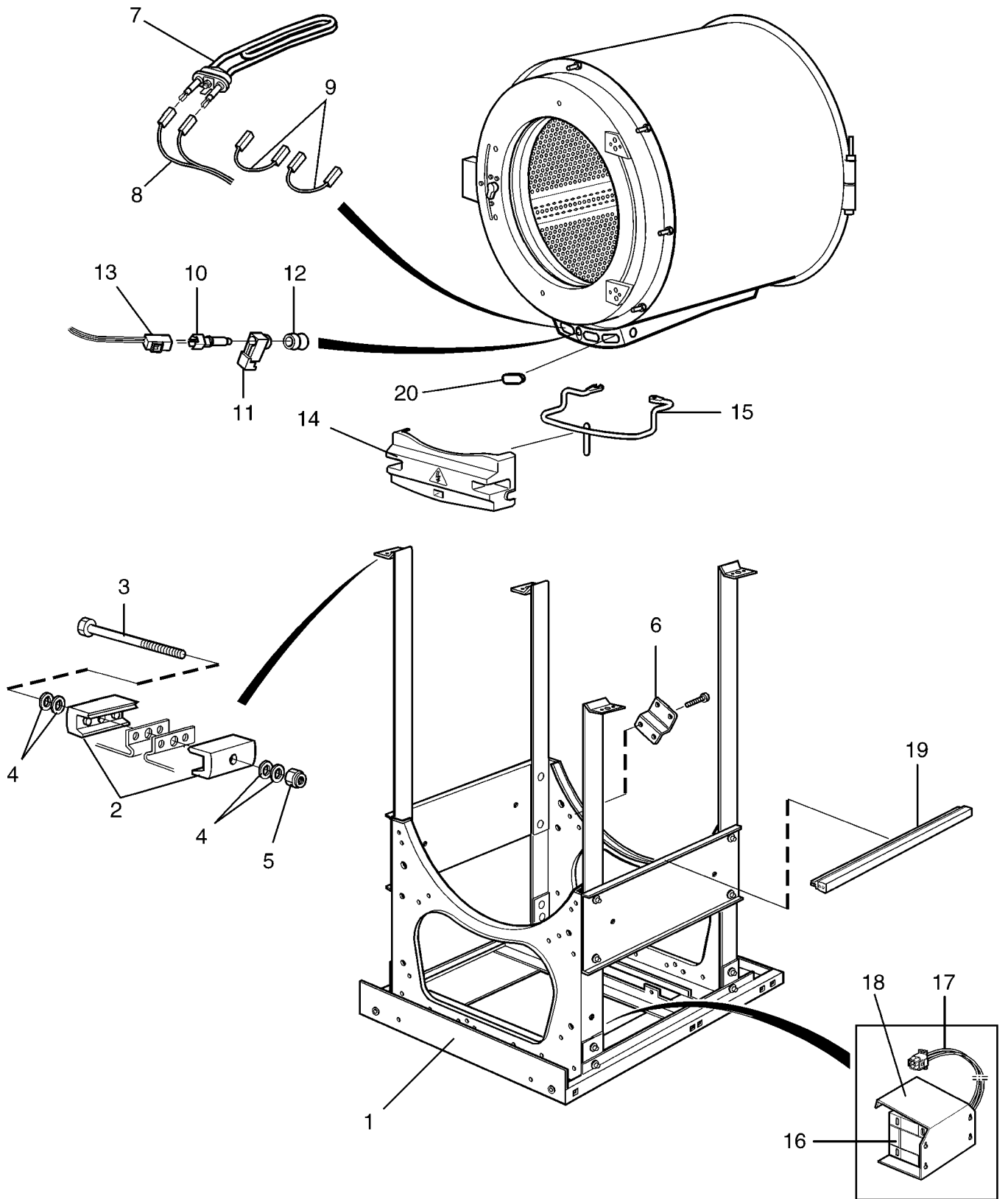
**SU675 Compass**

**Lining and top panel**

**Panneau frontal avec pupitre de commande**

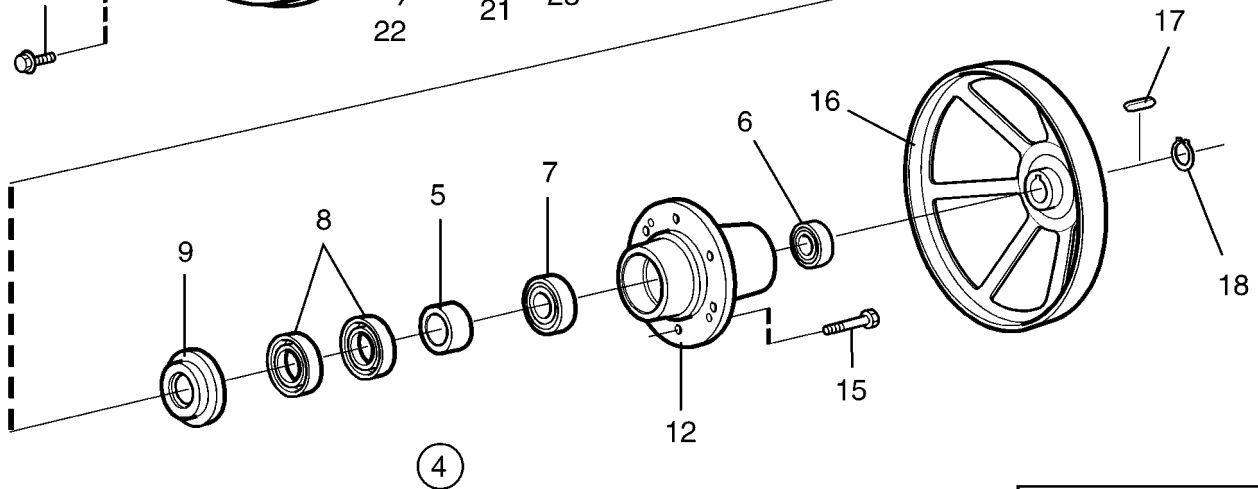
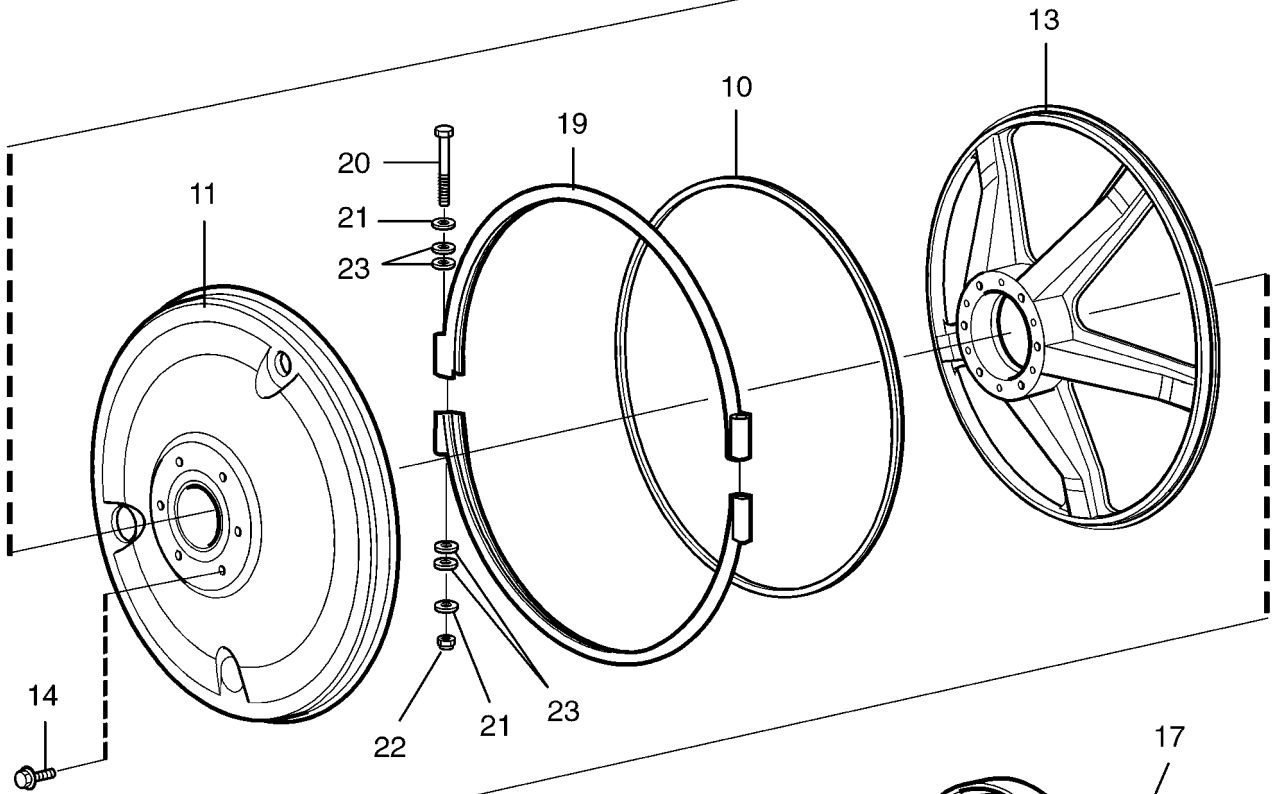
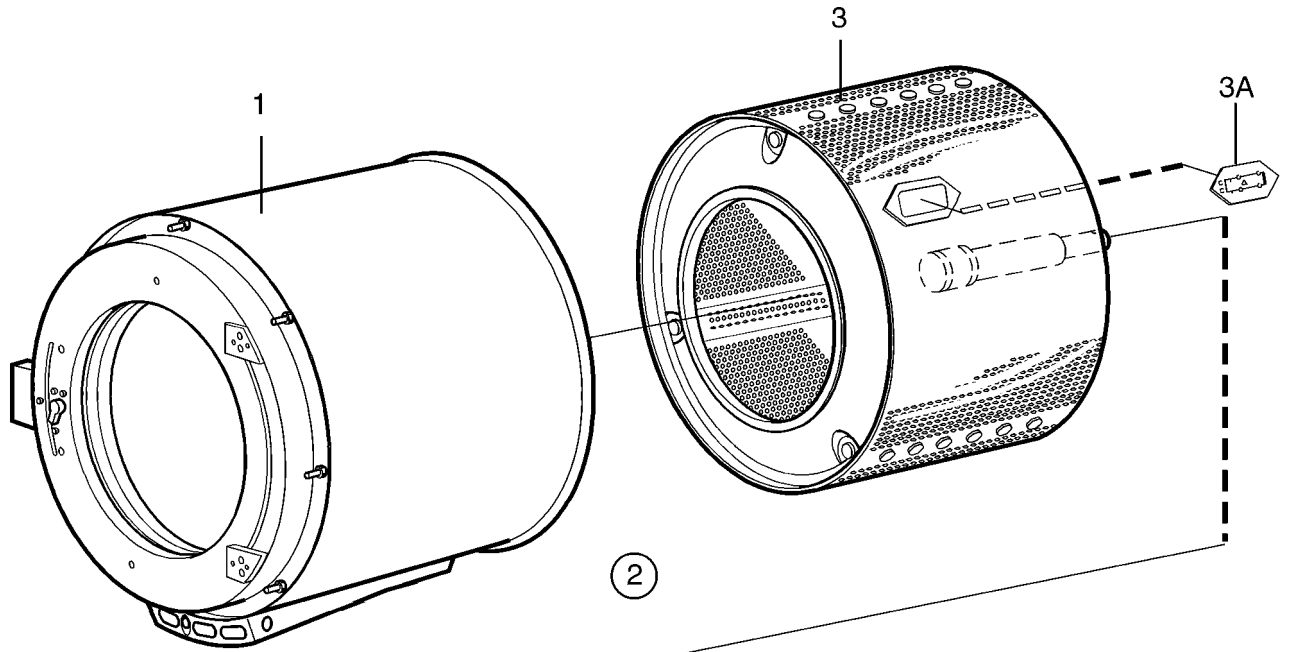
Illustration Issue Month Year  
Schéma Issue Month Year  
**102300/1 4 1 2010**

Item Article	Qua. Qua.	Art.No Réf. article	Description	Description	Info Info	Notes Remarques
<b>1</b>	1	<b>413 2200-71</b>	Front panel	Panneau avant	3	Wave Stainless Complete
	1	<b>432 2200-70</b>	Front plate	Panneau avant	3	Stainless Complete
	1	<b>432 2200-68</b>	Front panel	Panneau avant	3	Blue Complete
	1	<b>432 2200-63</b>	Front plate	Panneau avant	3	White Complete
<b>3</b>	1	<b>432 2182-04</b>	•Strip	•Ruban	3	
<b>4</b>	2	<b>471 8196-01</b>	•Plug	•Fiche	3	
<b>5</b>	3	<b>438 5109-02</b>	•Guide pin	•Broche de guidage	3	
<b>6</b>	1	<b>471 4672-67</b>	•Protection	•Protection	3	
<b>7</b>	2	<b>432 2044-03</b>	Side panel	Panneau latéral	3	Grey
	2	<b>432 2044-10</b>	Side panel	Panneau latéral	3	Stainless
<b>8</b>	1	<b>432 2068-01</b>	Rear panel	Paroi arrière	3	Upper
<b>9</b>	1	<b>432 2076-01</b>	Rear panel	Panneau arrière	3	
<b>10</b>	6	<b>471 8458-02</b>	Nut	Écrou	3	M6
<b>11</b>	1	<b>432 2249-01</b>	Brace bracket	Support de montant	3	
<b>12</b>	1	<b>432 2131-07</b>	Brace	Montant	3	
<b>13</b>	2	<b>471 7565-21</b>	Velcro tape	Bande de serrage	3	
<b>14</b>	1	<b>432 2121-02</b>	Brace	Montant	3	
<b>15</b>	1	<b>432 2291-65</b>	Top panel	Couvercle	3	
	1	<b>432 2291-66</b>	Top panel	Couvercle	3	No detergent container
	1	<b>413 2201-07</b>	Top panel	Couvercle	3	With lock
	1	<b>413 2201-33</b>	Top panel	Couvercle	3	No detergent container
<b>16</b>	1	<b>471 7826-10</b>	•Lock	•Serrure	1,2	
<b>17</b>	1	<b>472 9900-99</b>	•Key	•Touche	1,2	SET
<b>18</b>	1	<b>432 2259-01</b>	Plate	Plaque	3	
	1	<b>432 2215-01</b>	Plate	Plaque	3	
<b>19</b>	2	<b>432 2273-01</b>	Guide	Guide	3	
<b>20</b>	1	<b>471 8641-02</b>	Plug	Fiche	3	
<b>21</b>	2	<b>471 8344-35</b>	Screw	Vis	3	M6X16
<b>22</b>	2	<b>735 2153-01</b>	Lock washer	Rondelle d'arrêt	3	6,4
<b>23</b>	2	<b>471 7864-01</b>	Clip	Colliers de serrage	3	M6
<b>24</b>	2	<b>432 2180-01</b>	Spacer	Entretoise	3	
<b>25</b>	1	<b>432 6318-01</b>	Bracket	Pièce de retenue	3	
<b>26</b>	1	<b>471 8861-02</b>	Level control	Réglage de niveau	1	
<b>27</b>	1	<b>413 2915-01</b>	Cable set	Jeu de câbles	3	Compass Control
	1	<b>413 2915-02</b>	Cable set	Jeu de câbles	3	Clarus Control
<b>28</b>	1	<b>471 2436-10</b>	Hose	Flexible	3	
<b>29</b>	1	<b>471 2265-69</b>	T-pipe	Tube en T	3	





<b>SU675 Compass</b>				Illustration	Issue	Month	Year
<b>Base and outer drum</b>				Schéma	Issue	Month	Year
<b>Base et tambour externe</b>				<b>102502/1</b>	<b>5</b>	<b>12</b>	<b>2009</b>
Item Article	Qua. Qua.	Art.No Réf. article	Description	Description	Info Info	Notes Remarques	
<b>1</b>	1	<b>413 4415-51</b>	Frame	Base	3		
<b>2</b>	4	<b>432 1453-01</b>	•Tensioner	•Crochet	3		
<b>3</b>	2	<b>725 2465-71</b>	•Screw	•Vis	3	M8X70	
<b>4</b>	8	<b>471 7807-02</b>	•Tension plate	•Tôle de serrage	3	18x8,4x2	
<b>5</b>	2	<b>732 2118-01</b>	•Locking nut	•Contre-écrou	3	M8	
<b>6</b>	1	<b>432 1451-02</b>	•Bracket	•Support	3		
<b>7</b>	3	<b>471 9827-21</b>	Heating element	Élément de chauffage	1,2	6.6kW 240V	
	3	<b>471 9827-22</b>	Heating element	Élément de chauffage	1,2	7kW 254V	
	3	<b>471 9827-23</b>	Heating element	Élément de chauffage	1,2	7.6kW 277V	
	3	<b>471 9827-24</b>	Heating element	Élément de chauffage	1,2	6.36kW 230V	
	3	<b>471 9829-21</b>	Heating element	Élément de chauffage	1,2	7.66kW 240V MOP	
	3	<b>471 9829-22</b>	Heating element	Élément de chauffage	1,2	7.66kW 254V MOP	
	3	<b>471 9829-23</b>	Heating element	Élément de chauffage	1,2	7.66kW 277V MOP	
<b>8</b>	1	<b>413 2965-02</b>	Cable set	Jeu de câbles	3	400V	
	1	<b>413 2965-03</b>	Cable set	Jeu de câbles	3	230V	
	1	<b>413 2965-04</b>	Cable set	Jeu de câbles	3	EL/DS	
	1	<b>413 2965-05</b>	Cable set	Jeu de câbles	3	1AC 230V/3AC 415V	
<b>9</b>	2	<b>413 2965-01</b>	Cable set	Jeu de câbles	3	400V 400V	
<b>10</b>	1	<b>472 9904-98</b>	Sensor	Capteur	1,2	Complete	
<b>11</b>	1		•Discharge	•Collier de serrage			
<b>12</b>	1		•Bushing	•Douille			
<b>13</b>	1	<b>413 3272-25</b>	Cable set	Jeu de câbles	3	Temp	
<b>14</b>	1	<b>432 1654-01</b>	Cover	Couvercle	3		
<b>15</b>	1	<b>432 1653-01</b>	Clamp	Bride de fixation	3		
<b>16</b>	1	<b>438 9569-01</b>	Transformer	Transformateur	1	200V	
	1	<b>438 9563-01</b>	Transformer	Transformateur	3	380-480V	
<b>17</b>	1	<b>432 2985-01</b>	Cable set	Jeu de câbles	3	200V	
	1	<b>432 2977-01</b>	Cable set	Jeu de câbles	3	100-120V 400- 480V	
<b>18</b>	1	<b>432 1295-01</b>	Bracket	Pupitre	3	Trafo 200V	
	1	<b>432 1421-01</b>	Bracket	Pupitre	3		
	1	<b>432 1338-01</b>	Cover	Couvercle	3		
<b>19</b>	1	<b>432 2198-01</b>	Rubber strip	Joint caoutchouc	3		
<b>20</b>	Rq	<b>471 9822-99</b>	Plug	Fiche			



Issue	Month	Year
02	04	08

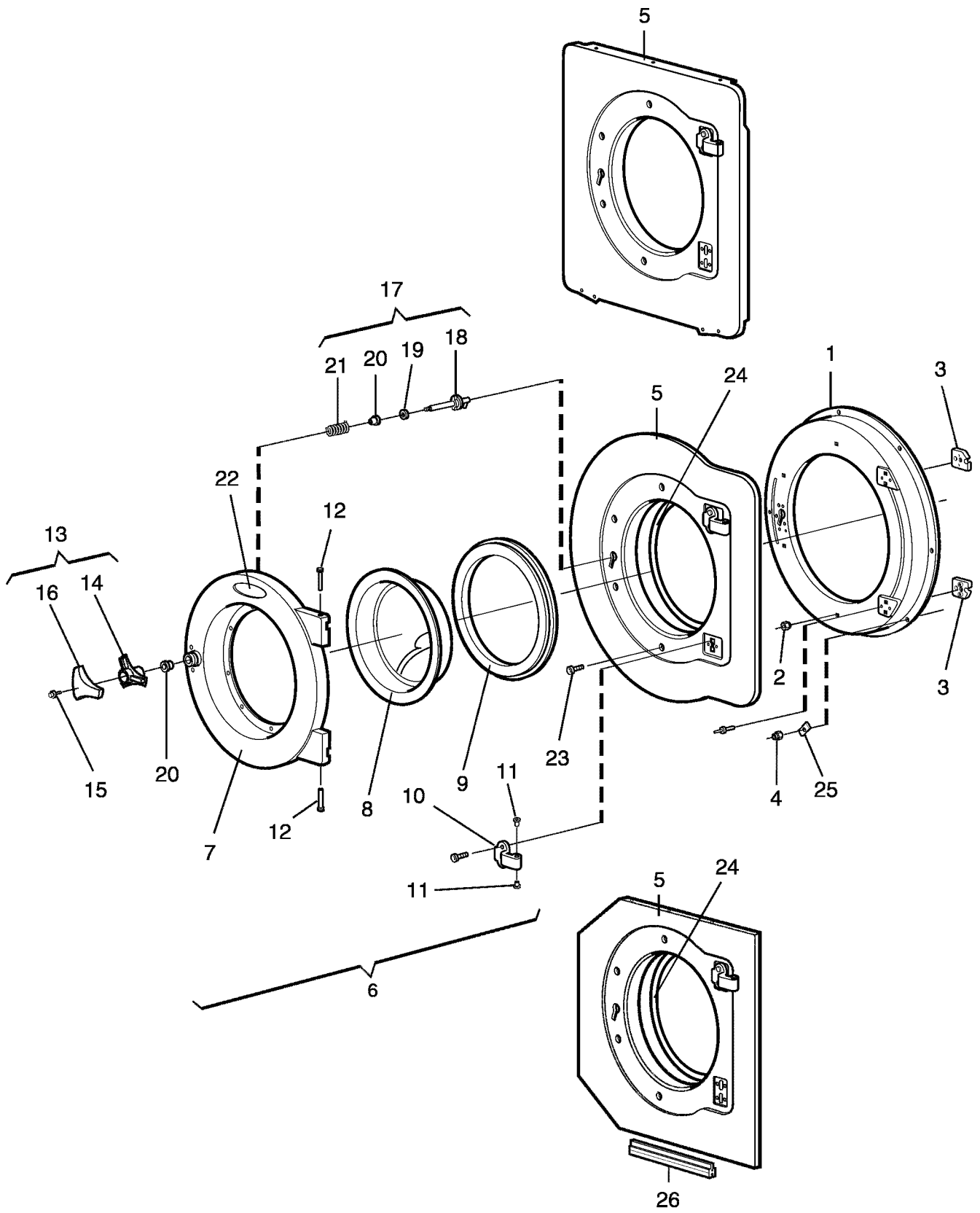
**SU675 Compass**

**Drum, rear gable**

**Tambour, pignon arrière**

Illustration Issue Month Year  
Schéma Issue Month Year  
**102301/1 4 1 2010**

Item Article	Qua. Qua.	Art.No Réf. article	Description	Description	Info Info	Notes Remarques
<b>1</b>	1	<b>432 1574-31</b>	Outer drum	Tambour extérieur	3	Non-heated
	1	<b>432 1574-32</b>	Outer drum	Tambour extérieur	3	El/Dual heating
	1	<b>432 1574-33</b>	Outer drum	Tambour extérieur	3	Steam
<b>2</b>	1	<b>432 1609-41</b>	Rear gable	Pignon arrière	1	
<b>3</b>	1	<b>432 1504-21</b>	•Inner drum	•Intérieur du tambour	1	
<b>3A</b>	2	<b>472 9708-01</b>	••Door	••Plaque	1	MOP
<b>4</b>	1	<b>472 9913-16</b>	•Repair kit	•Kit de reconditionnement	3	
<b>5</b>	1		••Bushing	••Douille		
<b>6</b>	1		••Ball bearing	••Roulement à billes		
<b>7</b>	1		••Ball bearing	••Roulement à billes		
<b>8</b>	2		••Sealing ring	••Bague d'étanchéité		
<b>9</b>	1		••Sealing ring	••Bague d'étanchéité		
<b>10</b>	1	<b>438 8155-05</b>	••Seal	••Joint		
<b>11</b>	1	<b>432 1549-01</b>	•Lining	•Panneau de renfort	3	
<b>12</b>	1	<b>432 1564-01</b>	•Bearing housing	•Logement de palier	3	
<b>13</b>	1	<b>432 1544-01</b>	•End piece	•Pignon	3	
<b>14</b>	10	<b>471 8323-01</b>	•Screw	•Vis	3	M6X12
<b>15</b>	10	<b>471 8328-02</b>	•Screw	•Vis	3	M12X50
<b>16</b>	1	<b>432 1554-01</b>	•Pulley	•Poulie	3	
<b>17</b>	1	<b>735 9630-01</b>	•Wedge	•Cale	3	18x11x63
<b>18</b>	1	<b>735 3147-00</b>	•C-clamp	•Presse à main	3	SGA 60
<b>19</b>	2	<b>432 1569-01</b>	Tension strap	Extenseur	3	
<b>20</b>	2	<b>471 9222-59</b>	Screw	Vis	3	M8X140
<b>21</b>	4	<b>471 8502-34</b>	Washer	Rondelle	3	8,4x24x2
<b>22</b>	2	<b>732 2118-01</b>	Locking nut	Contre-écrou	3	M8
<b>23</b>	8	<b>471 7807-02</b>	Tension plate	Tôle de serrage	3	18x8,4x2



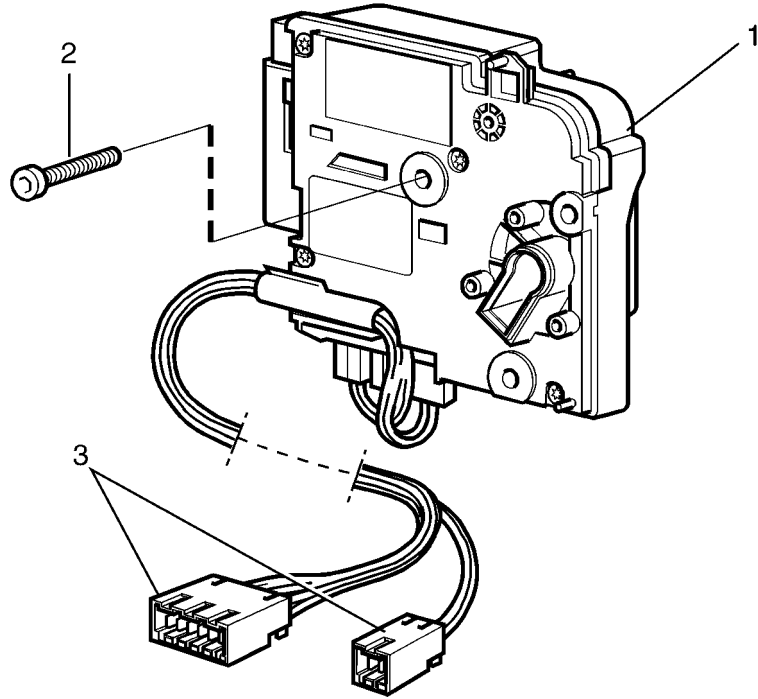
**SU675 Compass**

**Door and hinged joint**

**Assemblage articulé et plaque**

Illustration Issue Month Year  
Schéma Issue Month Year  
**102302/1 6 5 2010**

Item Article	Qua. Qua.	Art.No Réf. article	Description	Description	Info Info	Notes Remarques
<b>1</b>	1	<b>432 1874-01</b>	Support frame	Panneau de fixation	3	
<b>2</b>	4		•Nut	•Écrou	3	M6
<b>3</b>	4	<b>432 1951-01</b>	•Bracket	•Support de montage	3	
<b>4</b>	11	<b>471 8404-02</b>	Locking nut	Contre-écrou	3	M6
<b>5</b>	1	<b>432 1890-02</b>	Trim panel	Panneau d'habillage	3	
	1	<b>432 1888-11</b>	Trim panel	Panneau d'habillage	3	Stainless
* <b>6</b>	1	<b>413 4312-01</b>	Door	Plaque	1	Complete
	1	<b>413 4312-02</b>	Door	Plaque	1	Complete Lagoon
<b>7</b>	1	<b>432 1828-02</b>	•Door	•Plaque	3	
<b>8</b>	1	<b>432 1858-01</b>	•Door glass	•Vitre de la porte	1,2	
	1	<b>432 1858-02</b>	•Door glass	•Vitre de la porte	1,2	Lagoon/ AquaClean
<b>9</b>	1	<b>432 1843-02</b>	•Door gasket	•Joint de porte	1,2	
<b>10</b>	4	<b>432 1950-02</b>	•Hinged joint	•Assemblage articulé	1	
<b>11</b>	8	<b>438 4062-01</b>	•Bushing	•Douille	3	
<b>12</b>	2	<b>432 1962-01</b>	•Pin	•Goupille	3	
<b>13</b>	1	<b>472 9920-02</b>	•Knob	•Bouton de porte	1,2	Complete
<b>14</b>	1		••Knob	••Bouton de porte		Complete
<b>15</b>	1	<b>725 2366-61</b>	••Screw	••Vis	3	M6SF 6X12
<b>16</b>	1	<b>432 2270-01</b>	••Knob	••Bouton de porte	3	
<b>17</b>	1	<b>472 9920-01</b>	•Lock shaft	•Axe de verrouillage	1,2	Complete
<b>18</b>	1		••Lock shaft	••Axe de verrouillage		
<b>19</b>	1		••Washer	••Rondelle		
<b>20</b>	2		••Bushing	••Douille		
<b>21</b>	1		••Torsion spring	••Ressort rotatif		
<b>22</b>	1	<b>432 2620-12</b>	Sign	Échelle	3	Electrolux
	1	<b>432 2620-02</b>	Sign	Signe	3	Wascomat
	1	<b>432 2620-03</b>	Sign	Signe	3	Nyborg
	1	<b>432 2620-04</b>	Sign	Signe	3	Zanussi
<b>23</b>	12	<b>471 8344-36</b>	Screw	Vis	3	
<b>24</b>	1	<b>438 8115-04</b>	Rubber strip	Joint caoutchouc	3	L=1470
<b>25</b>	11	<b>471 8527-01</b>	Spring washer	Rondelle à ressort	3	
<b>26</b>	1	<b>432 2198-02</b>	Rubber strip	Joint caoutchouc	3	



**SU675 Compass**

**Door lock**

**Serrure de porte**

Illustration	Issue	Month	Year
Schéma	Issue	Month	Year
<b>102500/1</b>	<b>1</b>	<b>1</b>	<b>2007</b>

Item Article	Qua. Qua.	Art.No Réf. article	Description	Description	Info Info	Notes Remarques
<b>1</b>	1	<b>438 9561-01</b>	Door locking device	Serrure de porte	1,2	Complete
<b>2</b>	3	<b>471 8342-47</b>	Screw	Vis	3	M6X25
<b>3</b>	1	<b>432 2905-14</b>	Cable set	Jeu de câbles	3	





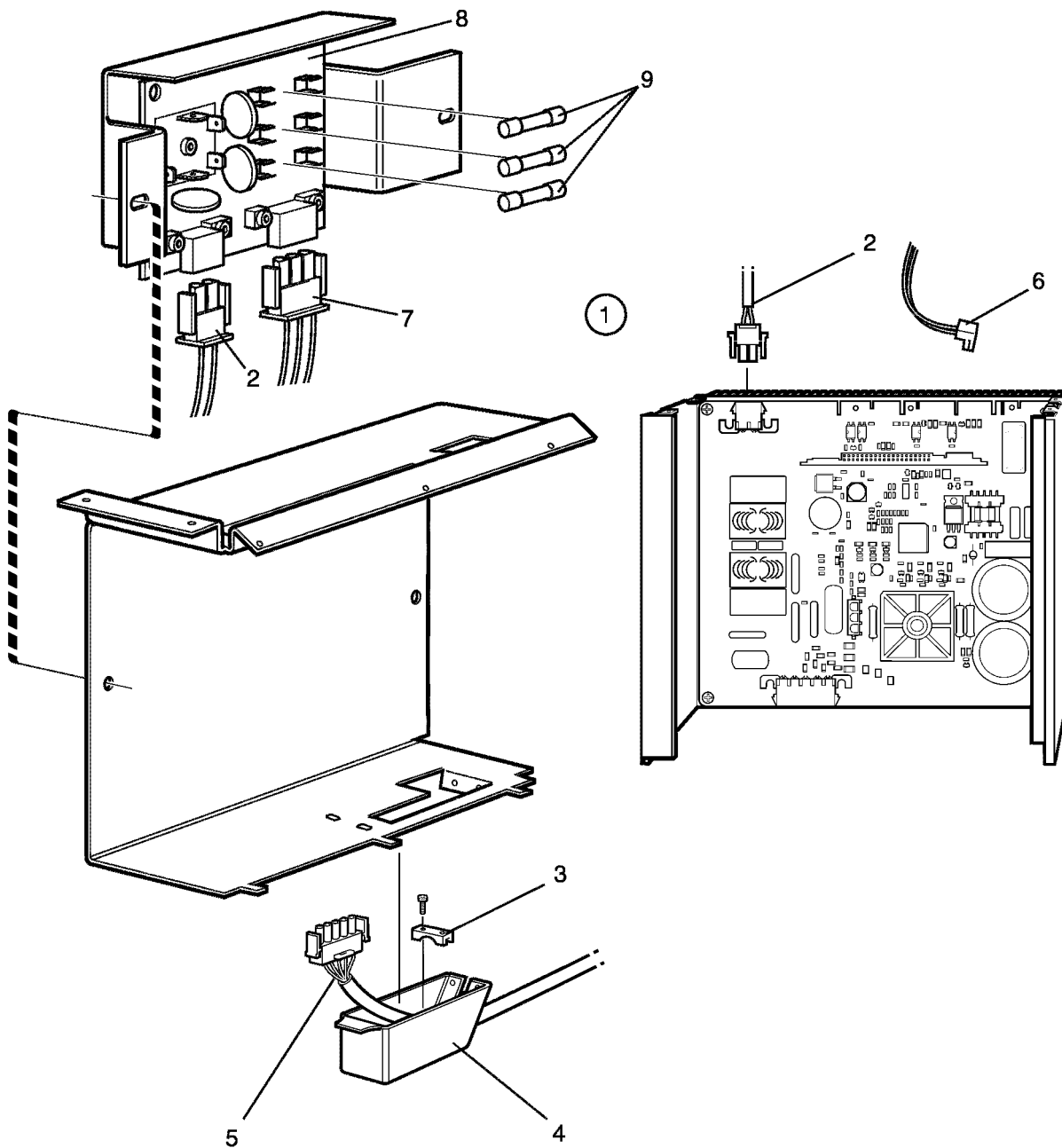
**SU675 Compass**

**Motor**

**Moteur**

Illustration Issue Month Year  
Schéma Issue Month Year  
**102504/1 2 10 2009**

Item Article	Qua. Qua.	Art.No Réf. article	Description	Description	Info Info	Notes Remarques
<b>1</b>	1	<b>438 9705-51</b>	Motor	Moteur	1,2	Complete
<b>2</b>	1		•Pulley	•Poulie	3	
<b>3</b>	1	<b>471 8826-01</b>	•Tacho sensor	•Tacho sensor	3	
<b>4</b>	1	<b>432 1229-01</b>	•Cover	•Couvercle	1	
<b>5</b>	1	<b>471 8827-01</b>	•Magnet	•Aimant	3	
<b>6</b>	1	<b>438 0016-10</b>	•Pipe	•Tube	3	
<b>7</b>	2	<b>438 4049-01</b>	•Damper	•Amortisseur	3	
<b>8</b>	2	<b>471 8502-24</b>	•Washer	•Rondelle	3	12x35
<b>9</b>	2	<b>471 7867-01</b>	•Pin	•Goupille/broche	3	
<b>10</b>	1	<b>432 1465-01</b>	•Flange bushing	•Douille à bride	3	
<b>11</b>	2	<b>432 1463-01</b>	Bracket	Support de montage	3	
<b>12</b>	2	<b>432 1472-01</b>	Clamp	Bride de fixation	3	
<b>13</b>	1					Not used
<b>14</b>	1	<b>432 1455-01</b>	Washer	Rondelle	3	
<b>15</b>	1	<b>725 2538-51</b>	Screw	Vis	3	M12X35
<b>16</b>	1	<b>471 8502-10</b>	Washer	Rondelle	3	12x35
<b>17</b>	1	<b>471 7705-06</b>	Ribbed belt	Courroie poly V	1,2	
<b>18</b>	1	<b>432 2991-02</b>	Cable set	Jeu de câbles	3	
<b>19</b>	1	<b>438 9799-03</b>	Cover	Couvercle	3	
<b>20</b>	1	<b>472 9913-91</b>	Drip guard	Lèche-goutte	3	COMPL.
<b>21</b>	1	<b>432 2983-02</b>	Cable set	Jeu de câbles	3	
<b>22</b>	1	<b>413 3272-26</b>	Cable set	Jeu de câbles	3	
<b>23</b>	1	<b>438 9799-02</b>	Clamp	Attache	3	
<b>24</b>	3	<b>471 8342-13</b>	Screw	Vis	3	MRT-TT 4X10



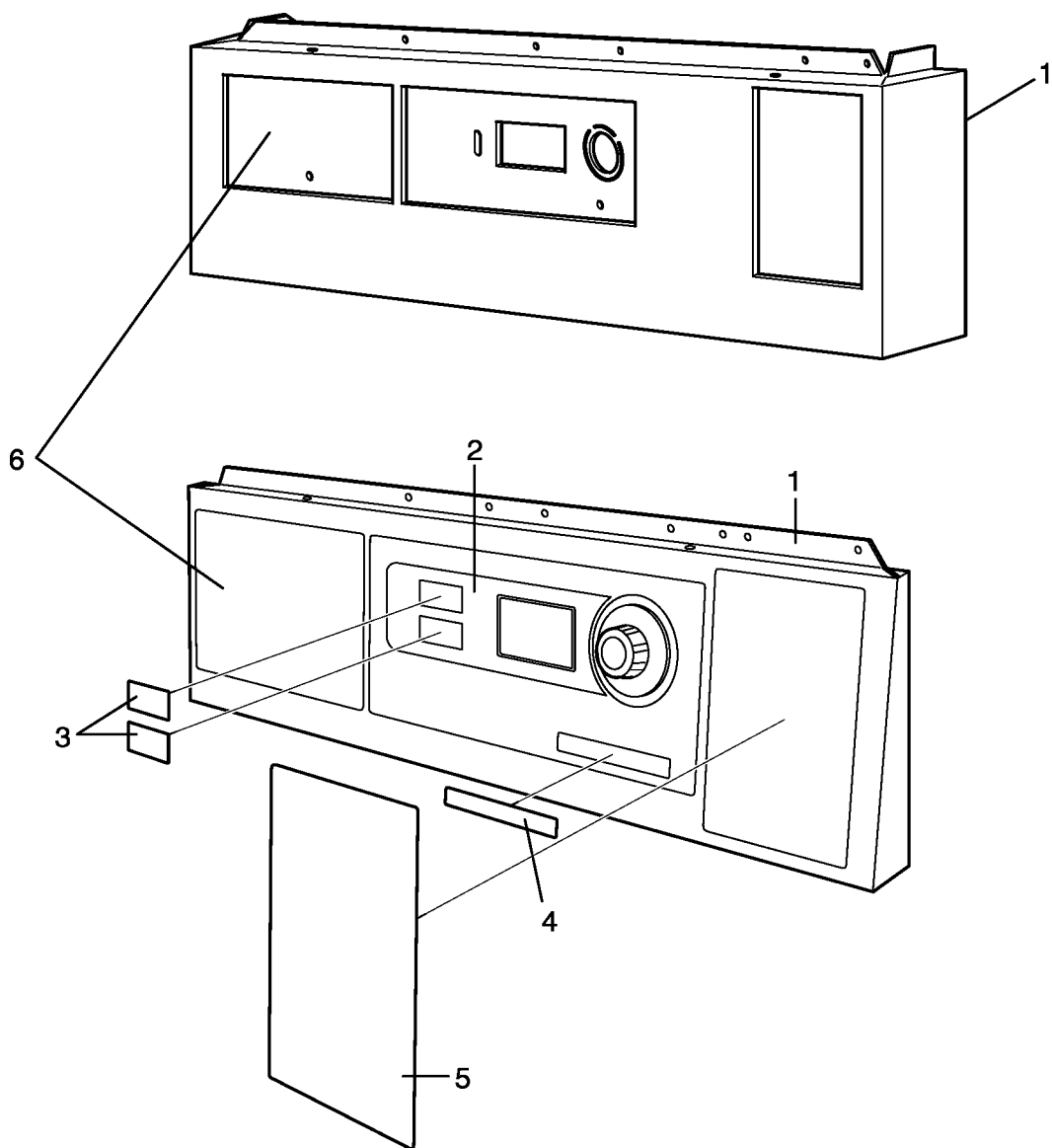
**SU675 Compass**

**Motor control**

**Contrôle du moteur**

Illustration Issue Month Year  
Schéma Issue Month Year  
**102491/1 2 5 2009**

Item Article	Qua. Qua.	Art.No Réf. article	Description	Description	Info Info	Notes Remarques
<b>1</b>	1	<b>472 9929-25</b>	Motor control	Contrôle du moteur	1	200-240V Complete
<b>2</b>	1	<b>413 2918-05</b>	•Cable set	•Jeu de câbles	1,2	4-pole
	1	<b>413 2918-06</b>	•Cable set	•Jeu de câbles	1,2	4-pole Trafo
	1	<b>413 2918-08</b>	•Cable set	•Jeu de câbles	1,2	4-pole Japan
<b>3</b>	1	<b>438 9799-12</b>	Clamp	Attache	3	
<b>4</b>	1	<b>438 9799-01</b>	Cover	Couvercle	3	
<b>5</b>	1		Cable set	Jeu de câbles	3	See motor
<b>6</b>	1	<b>413 3084-23</b>	Cable set	Jeu de câbles	3	P-bus - X302
<b>7</b>	1	<b>432 2925-01</b>	Cable set	Jeu de câbles	3	
<b>8</b>	1	<b>438 8774-02</b>	Printed circuit board	Carte circuit	3	
<b>9</b>	3	<b>471 8768-02</b>	Fuse	Porte-fusible	1,2	15A



**SU675 Compass**

**Control panel**

**Pupitre de commande**

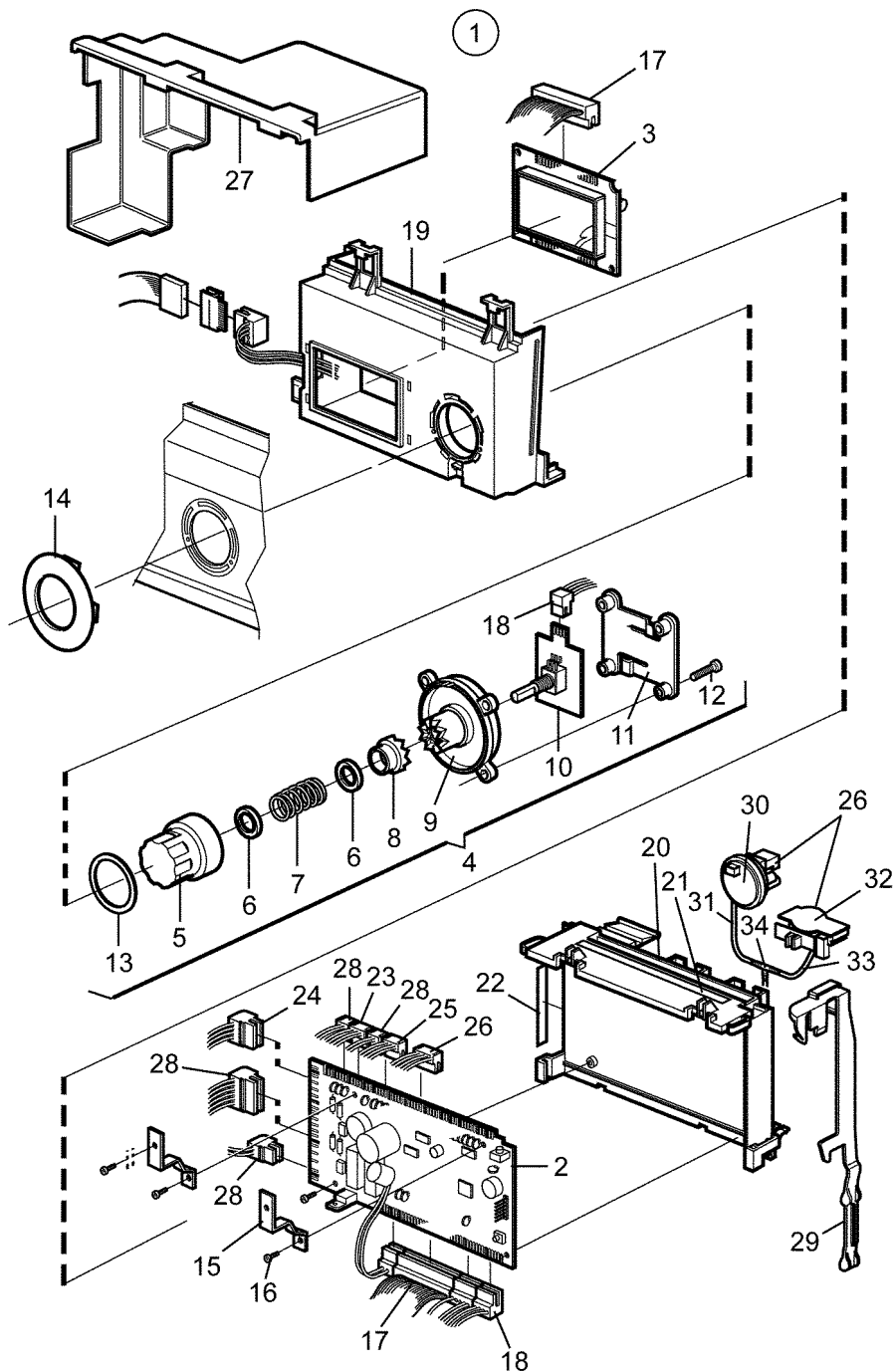
Illustration Issue Month Year  
Schéma Issue Month Year  
**102378/1 6 11 2008**

Item Article	Qua. Qua.	Art.No Réf. article	Description	Description	Info Info	Notes Remarques
<b>1</b>	1	<b>432 2264-01</b>	Front panel	Panneau avant	3	
<b>2</b>	1	<b>472 5792-02</b>	Panel sign	Voyant du tableau	1	40°, 60°
	1	<b>472 5792-01</b>	Panel sign	Voyant du tableau	1	1&2
	1	<b>472 5792-10</b>	Panel sign	Voyant du tableau	1	1&2 Coin
	1	<b>472 5793-01</b>	Panel sign	Voyant du tableau	1	NEUTRAL USA, OPL
<b>3</b>	1	<b>471 7788-10</b>	Sign	Échelle	3	
<b>4</b>	1	<b>413 2609-10</b>	Type plate	Numéro série plaque	3	W4330M
	1	<b>413 2611-42</b>	Type plate	Numéro série plaque	3	SU675cc Coin
	1	<b>413 2611-43</b>	Type plate	Numéro série plaque	3	SU675co OPL
<b>5</b>	1	<b>432 2150-11</b>	Cover plate	Plaque recouvrement	3	
<b>6</b>	1	<b>432 2647-23</b>	Instruction plate	Plaque instruction utilisation	3	40°, 60°
	1	<b>432 2647-24</b>	Instruction plate	Plaque instruction utilisation	3	1, 2
	1	<b>432 2647-26</b>	Instruction plate	Plaque instruction utilisation	3	NEUTRAL
	1	<b>432 2647-21</b>	Instruction plate	Plaque instruction utilisation	3	Swedish
	1	<b>432 2647-30</b>	Instruction plate	Plaque instruction utilisation	3	USA English/Spanish COIN
	1	<b>432 2647-26</b>	Instruction plate	Plaque instruction utilisation	3	USA, OPL



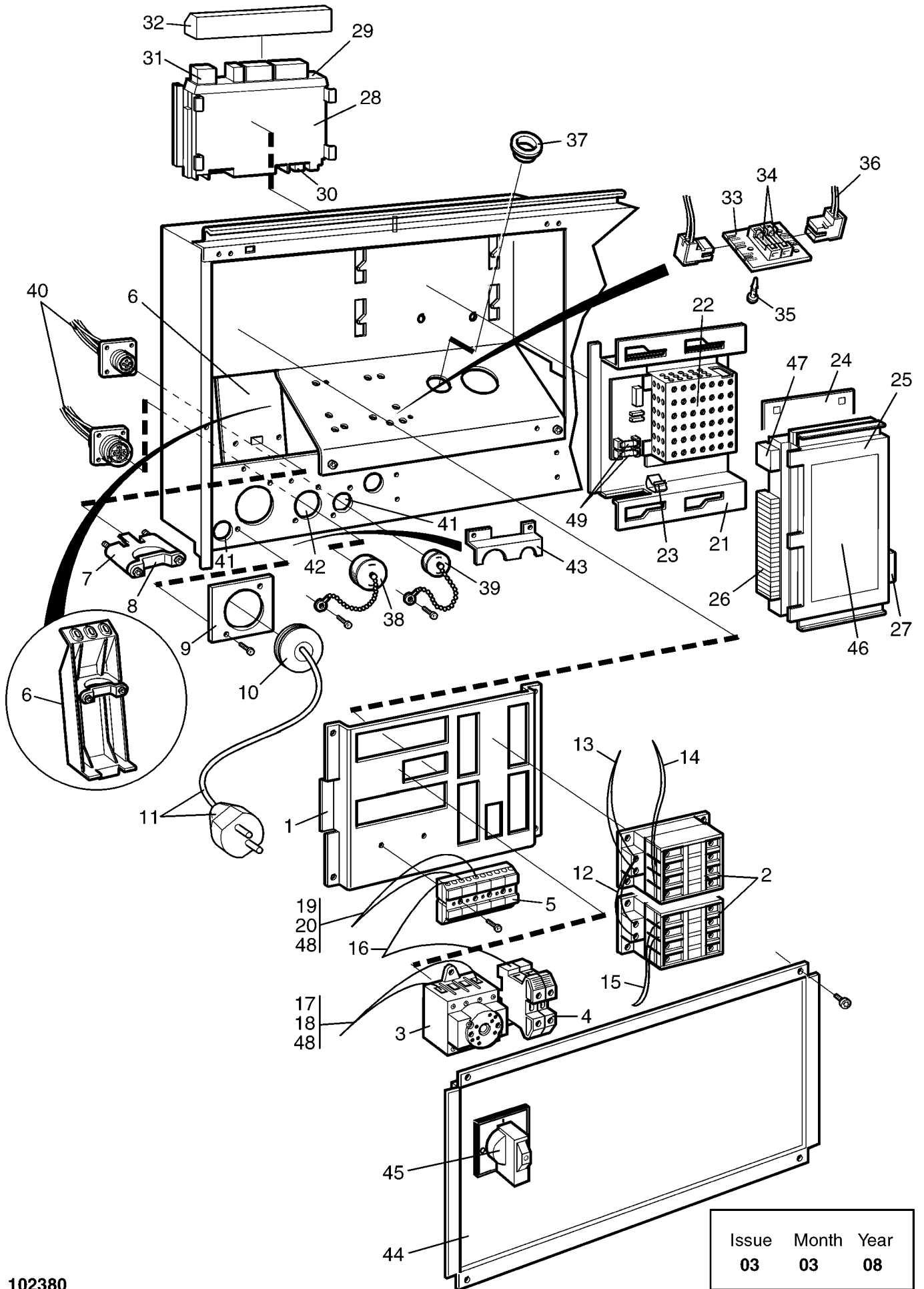
W465H  
 Product no.: 9867610073  
 Serial no.: 00520 / 0126722  
 PC: 0327664 13 9909 Writing olog: 43232004409  
 Program: **418XXXXXX** 3403  
 ELECTROLUX LAUNDRY SYSTEMS SWEDEN AB

Program: **418XXXXXX**  
 W3 W055116



Issue	Month	Year
01	02	10

<b>SU675 Compass</b>				Illustration	Issue	Month	Year
<b>Programmer</b>				Schéma	Issue	Month	Year
<b>Minuterie</b>				<b>102679</b>	<b>1</b>	<b>2</b>	<b>2010</b>
Item Article	Qua. Qua.	Art.No Réf. article	Description	Description	Info Info	Notes Remarques	
<b>1</b>	1	<b>432 6902-04</b>	Programmer	Minuterie	1,2	Without software. Software available on website	
<b>2</b>	1		•Printed circuit board	•Carte circuit		CPU	
<b>3</b>	1	<b>432 8702-03</b>	•Display	•Affichage	1,2		
<b>4</b>	1		•Program selector	•Commutateur rotatif	1,2		
<b>5</b>	1		••Knob	••Bouton de porte			
<b>6</b>	2		••Rubber cushion	••Coussinet de caoutchouc			
<b>7</b>	1		••Spring	••Ressort			
<b>8</b>	1		••Sleeve	••Manchon			
<b>9</b>	1		••Cover	••Couvercle			
<b>10</b>	1	<b>438 9659-01</b>	••Program selector	••Commutateur rotatif	1,2		
<b>11</b>	1		••Spring	••Ressort			
<b>12</b>	4	<b>471 8346-09</b>	••Screw	••Vis	3	T40x30	
<b>13</b>	1		••Ring	••Anneau			
<b>14</b>	1	<b>432 6344-02</b>	•Cover	•Couvercle	3		
<b>15</b>	2	<b>432 6327-01</b>	•Bracket	•Pièce de retenue	3		
<b>16</b>	2	<b>471 8346-02</b>	•Screw	•Vis	3		
<b>17</b>	1	<b>413 3280-01</b>	•Cable set	•Jeu de câbles	3	20-pole	
<b>18</b>	1	<b>413 3274-20</b>	•Cable set	•Jeu de câbles	3	4-pole	
<b>19</b>	1	<b>432 6325-01</b>	•Cover	•Couvercle	3	Front	
<b>20</b>	1	<b>432 6324-01</b>	•Cover	•Couvercle	3	Rear	
<b>21</b>	1	<b>471 4673-95</b>	•Sign	•Échelle	3		
<b>22</b>	1	<b>471 4673-97</b>	Sign	Échelle	3		
<b>23</b>	1	<b>413 3274-07</b>	Cable set	Jeu de câbles	3	D-bus	
<b>24</b>	1	<b>413 3084-19</b>	Cable set	Jeu de câbles	3	P-bus	
<b>25</b>	1	<b>413 3274-15</b>	Cable set	Jeu de câbles	3	M-COM	
<b>26</b>	1	<b>413 3275-02</b>	Cable set	Jeu de câbles	3	Level control	
<b>27</b>	1	<b>432 6326-01</b>	Cover	Couvercle	3		
<b>28</b>	1	<b>432 2905-14</b>	Cable set	Jeu de câbles	3	Door/Temp./Tacho.	
<b>29</b>	1	<b>432 6345-01</b>	Arm	Bras	3		
<b>30</b>	1	<b>471 8861-01</b>	Level guard	Limiteur de niveau	1,2		
<b>31</b>	1	<b>471 2442-41</b>	Hose	Flexible	1	L=70	
<b>32</b>	1	<b>471 8863-01</b>	Level guard	Limiteur de niveau	1,2		
<b>33</b>	1	<b>438 2440-02</b>	Hose	Flexible	1	L=100	
<b>34</b>	1	<b>471 2265-69</b>	T-pipe	Tube en T	3		



Issue	Month	Year
03	03	08



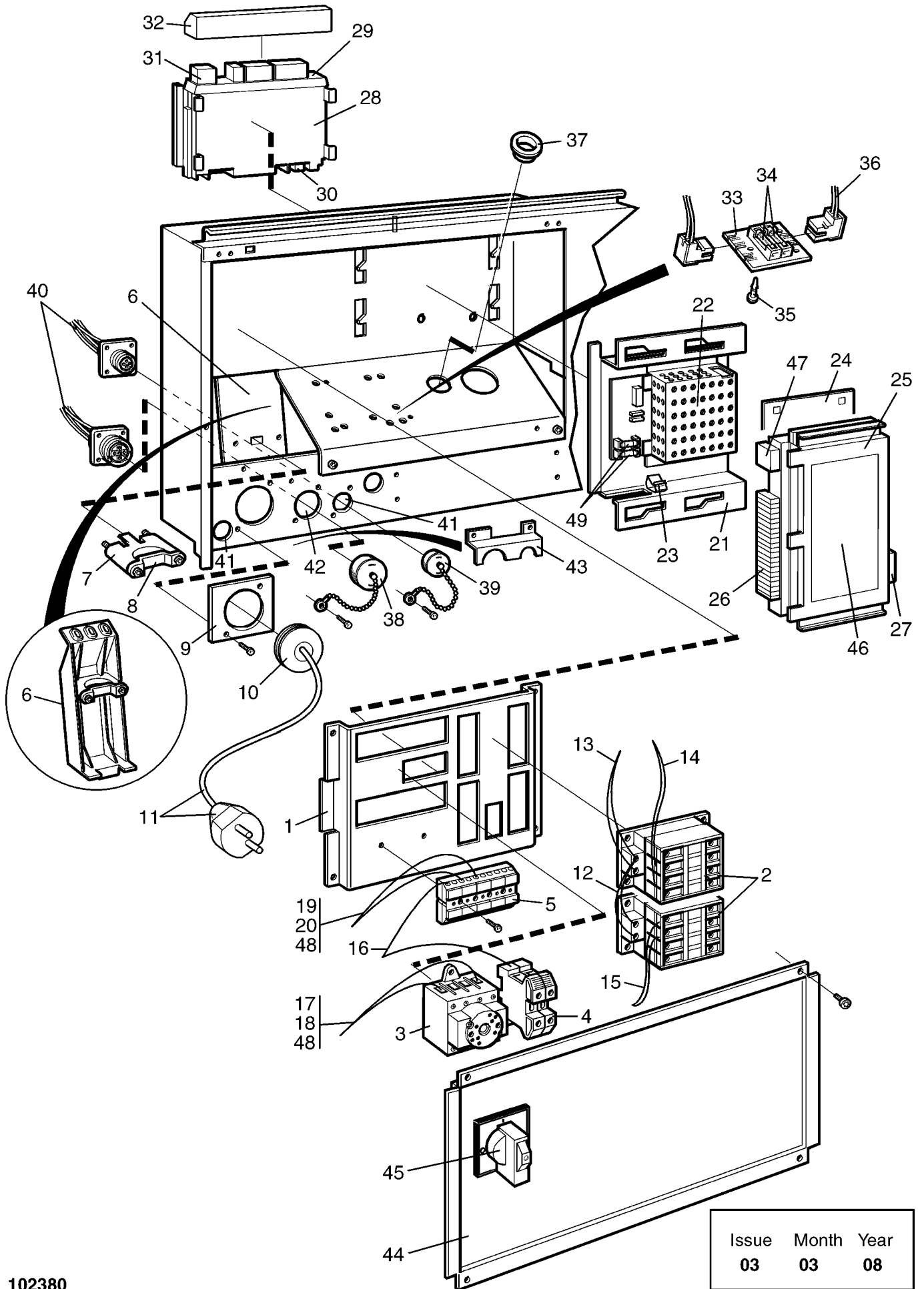
**SU675 Compass**

**Electric components connection**

**Composants électriques raccordement électrique**

Illustration Issue Month Year  
Schéma Issue Month Year  
**102380/1 6 6 2009**

Item Article	Qua. Qua.	Art.No Réf. article	Description	Description	Info Info	Notes Remarques
1	1	432 2154-01	Mounting plate	Plaque de montage	3	
2	Rq	438 9636-92	Contacteur	Relais	1,2	50Hz
	Rq	438 9636-93	Contacteur	Relais	1,2	60Hz
	Rq	438 9636-94	Contacteur	Relais	1,2	50/60Hz
3	Rq	438 9678-01	Main switch	Main switch	1	3-pole, 30A
	Rq	438 9678-02	Main switch	Main switch	1	3-pole, 40A
	Rq	438 9678-03	Main switch	Main switch	1	3-pole, 50A
	Rq	438 9678-04	Main switch	Main switch	1	3-pole, 70A
	Rq	438 9678-11	Main switch	Main switch	1	4-pole, 30A
	Rq	438 9678-12	Main switch	Main switch	1	4-pole, 40A
	Rq	438 9678-13	Main switch	Main switch	1	4-pole, 50A
	Rq	438 9678-14	Main switch	Main switch	1	4-pole, 70A
4	2	471 8767-01	Block	Cale	3	SL10
	2	471 8767-02	Block	Cale	3	SL16
5	1	471 8783-01	Block	Cale	3	5-pole
	1	471 8783-03	Block	Cale	3	3-pole
	1	471 8783-04	Block	Cale	3	4-pole
6	1	432 2258-01	Plate	Plaque	3	
7	1	471 7859-12	Clamp	Attache	3	Lower part
8	1	471 7859-16	Clamp	Attache	3	Upper part
9	1	432 2199-01	Plate	Plaque	3	Ø21
	1	432 2199-03	Plate	Plaque	3	Ø26
	1	432 2199-05	Plate	Plaque	3	Ø33
10	1	438 8720-01	Grommet	Oeillet	3	M25
	1	438 8720-02	Grommet	Oeillet	3	M32
	1	438 8720-03	Grommet	Passe-fil	3	M40
11	1	487 1702-45	Cable	Câble	3	
12	1	432 2984-01	Cable set	Jeu de câbles	3	
13	1	413 3182-02	Cable set	Jeu de câbles	3	Heating
	1	413 2915-02	Cable set	Jeu de câbles	3	MOP
14	3	432 2954-03	Cable set	Jeu de câbles	3	
15	1	432 2954-13	Cable set	Jeu de câbles	3	
	1	432 2954-14	Cable set	Jeu de câbles	3	MOP
16	1	432 2983-02	Cable set	Jeu de câbles	3	
17	1	432 3092-86	Cable set	Jeu de câbles	3	
18	1	432 3106-01	Cable set	Jeu de câbles	3	Trafo
19	1	413 3082-35	Cable set	Jeu de câbles	3	
20	1	413 2905-02	Cable set	Jeu de câbles	3	Trafo Trafo
21	1	432 2257-01	Mounting plate	Plaque de montage	3	
22	1	432 6805-06	Power supply	Alimentation principale	1,2	
23	1	432 6320-01	Clamp	Attache	3	
24	1	432 2256-01	Plate	Plaque	3	
25	1	432 6930-02	Printed circuit board	Carte circuit	1,2	I/O-card type 2
26	Rq	438 8701-01	Multistik	Multi-grippe	3	
	Rq	438 8701-03	Multistik	Multi-grippe	3	
27	1	413 3274-01	Cable set	Jeu de câbles	3	D-bus
28	1	432 6903-02	Printed circuit board	Carte circuit	1,2	I/O-card
	1	432 6933-02	Printed circuit board	Carte circuit	1,2	I/O-card type 3
29			Sign	Échelle	3	
30	1	413 3274-03	Cable set	Jeu de câbles	3	4-pole
31	1	413 3084-25	Cable set	Jeu de câbles	3	4-pole
32	1	432 6323-01	Cover	Couvercle	3	
33	1	438 8797-02	Printed circuit board	Carte circuit	1,2	
34	2	471 8750-11	•Fuse	•Porte-fusible	1,2	1,25A
35	3	471 7960-02	Support	Support	3	
36	1	413 3082-05	Cable set	Jeu de câbles	3	
37	1	762 1182-10	Grommet	Oeillet	3	Ø22,2MM
38	1	438 7950-02	Cover washer	Rondelle protection	3	14-pole
39	1	438 7950-01	Cover washer	Rondelle protection	3	4-pole



Issue	Month	Year
03	03	08

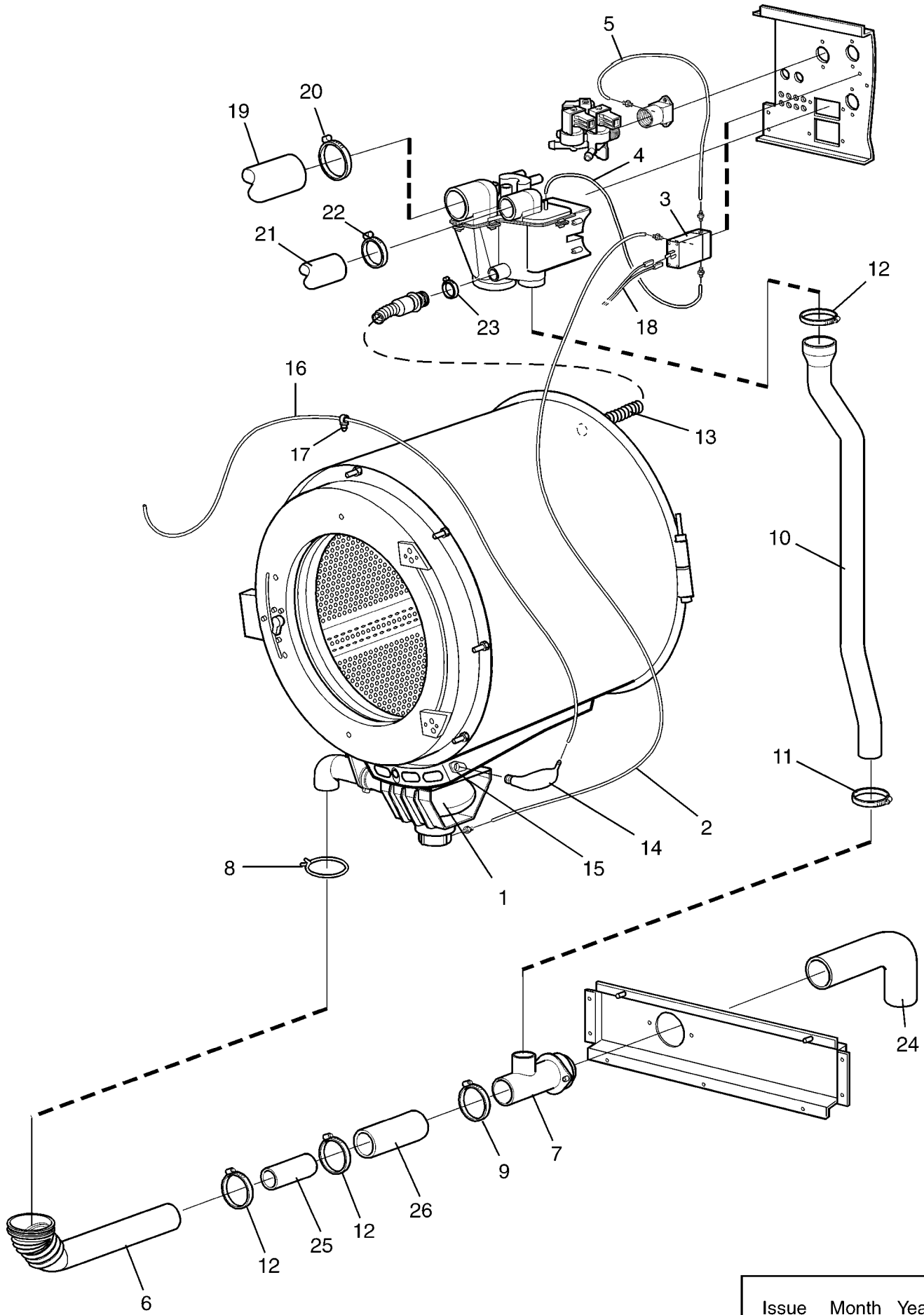
**SU675 Compass**

**Electric components connection**

**Composants électriques raccordement électrique**

Illustration Issue Month Year  
Schéma Issue Month Year  
**102380/1 6 6 2009**

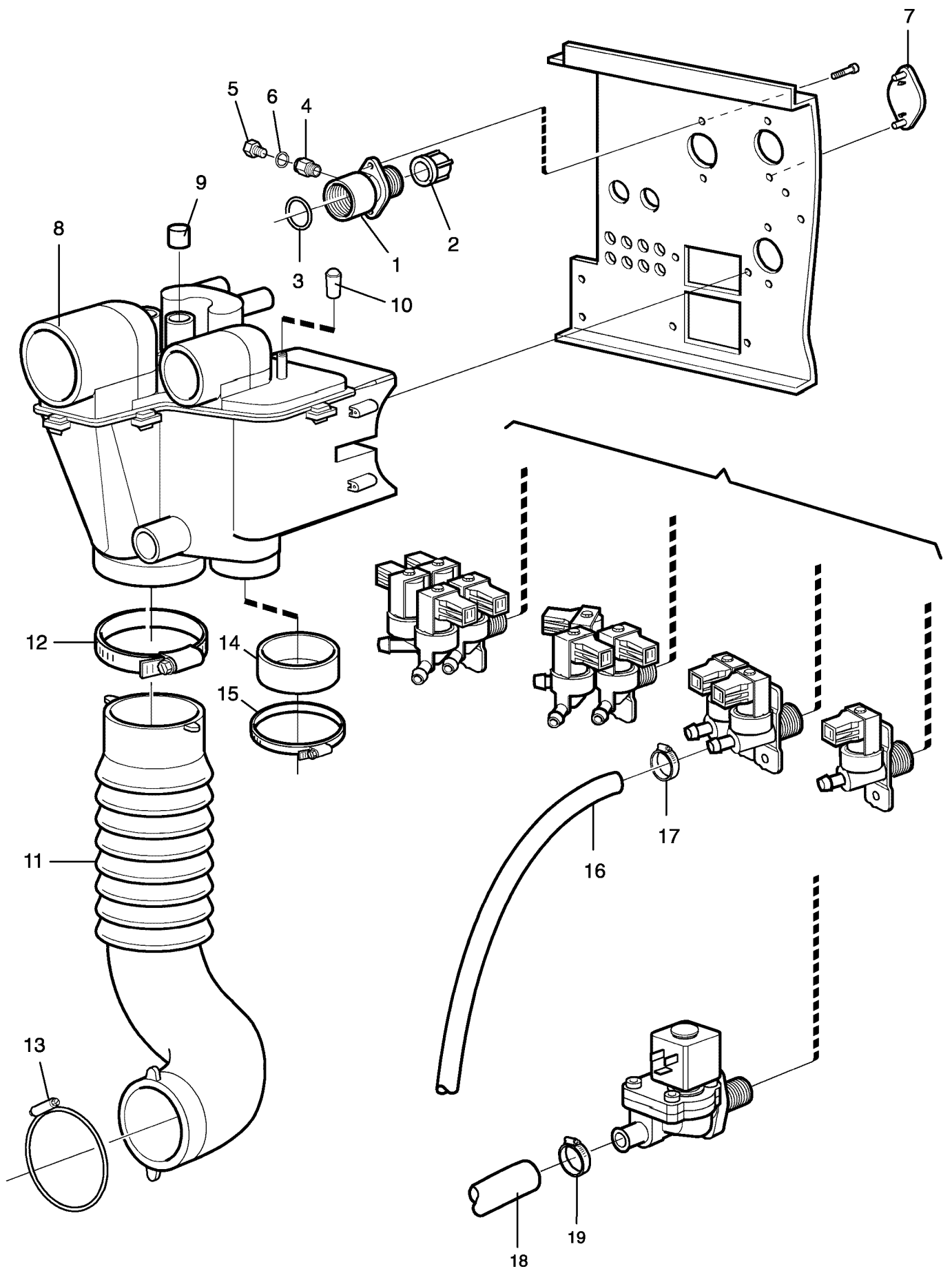
Item Article	Qua. Qua.	Art.No Réf. article	Description	Description	Info Info	Notes Remarques
40	1	413 2946-01	Cable set	Jeu de câbles	3	
41	2	471 7977-03	Cover plug	Couvre-bouchon	3	
42	1	471 7977-04	Cover plug	Couvre-bouchon	3	
43	1	432 1220-01	Cover	Couvercle	3	
44	1	432 3604-01	Cover	Couvercle	3	With hole
	1	432 3604-02	Cover	Couvercle	3	Without hole
45	1	471 9678-94	Knob	Bouton de porte	1	
46	1	471 4673-93	Sign	Échelle	3	I/O-card type 2
47	1	413 3084-02	Cable set	Jeu de câbles	3	4-pole P-bus
48	1	432 3076-01	Cable set	Jeu de câbles	3	Trafo-EWD2300
49	2	471 8750-16	Fuse	Porte-fusible	1,2	3,15A



102503

Issue	Month	Year
01	01	07

<b>SU675 Compass</b>							
<b>Drain valve and hoses</b>				Illustration	Issue	Month	Year
<b>Purgeur et flexible</b>				Schéma	Issue	Month	Year
				<b>102503/1</b>	<b>1</b>	<b>1</b>	<b>2007</b>
Item Article	Qua. Qua.	Art.No Réf. article	Description	Description	Info Info	Notes Remarques	
<b>1</b>	1	<b>432 2502-01</b>	Drain valve	Vanne de vidange	1,2		
<b>2</b>	1	<b>471 8139-16</b>	Hose	Flexible	1	L=2250	
<b>3</b>	1	<b>471 8243-07</b>	Solenoid valve	Electrovanne	1,2	230V 50Hz	
	1	<b>471 8243-08</b>	Solenoid valve	Electrovanne	1,2	208-240V 60Hz	
	1	<b>471 8243-10</b>	Solenoid valve	Electrovanne	1,2	230V 50/60Hz Japan	
<b>4</b>	1	<b>438 8102-06</b>	Hose	Flexible	1	L=330	
<b>5</b>	1	<b>471 8139-01</b>	Hose	Flexible	1	L=330	
<b>6</b>	1	<b>432 2522-01</b>	Hose	Flexible	1		
<b>7</b>	1	<b>432 2511-01</b>	Drain pipe connection	Raccord de vidange	3		
<b>8</b>	1	<b>736 2846-51</b>	Hose clamp	Attache flexible	3	Ø73-83	
<b>9</b>	1	<b>736 2846-51</b>	Hose clamp	Attache flexible	3	Ø73-83	
<b>10</b>	1	<b>432 2521-03</b>	Hose	Flexible	1		
<b>11</b>	1	<b>736 2837-51</b>	Hose clamp	Attache flexible	3	Ø48-54	
<b>12</b>	1	<b>736 2837-51</b>	Hose clamp	Attache flexible	3	Ø48-54	
<b>13</b>	1	<b>432 2508-02</b>	Hose	Flexible	1		
<b>14</b>	1	<b>432 2507-01</b>	Air tube	Chambre de compression	1		
<b>15</b>	1	<b>432 2506-01</b>	Connection	Connexion	3		
<b>16</b>	1	<b>471 8118-01</b>	Hose	Flexible	1	L=1600	
<b>17</b>	Rq	<b>471 7887-01</b>	Clip	Colliers de serrage	3		
<b>18</b>	1	<b>432 3182-43</b>	Cable set	Jeu de câbles	3	X50	
<b>19</b>	1	<b>471 8128-65</b>	Hose	Flexible	1		
<b>20</b>	2	<b>736 2840-51</b>	Hose clamp	Attache flexible	3	Ø50-63	
<b>21</b>	1	<b>471 8124-09</b>	Hose	Flexible	1		
<b>22</b>	2	<b>736 2831-51</b>	Hose clamp	Attache flexible	3	Ø36-42	
<b>23</b>	1	<b>736 2825-51</b>	Hose clamp	Attache flexible	3	Ø32	
<b>24</b>	1	<b>471 4835-01</b>	Drain hose	Flexible de vidange	1	Ø75	
<b>25</b>	-	<b>471 8613-05</b>	Tube	Tube	3	Ø50, L=80	
<b>26</b>	-	<b>471 8128-41</b>	Hose	Flexible	1	L=90, 1 1/2"	



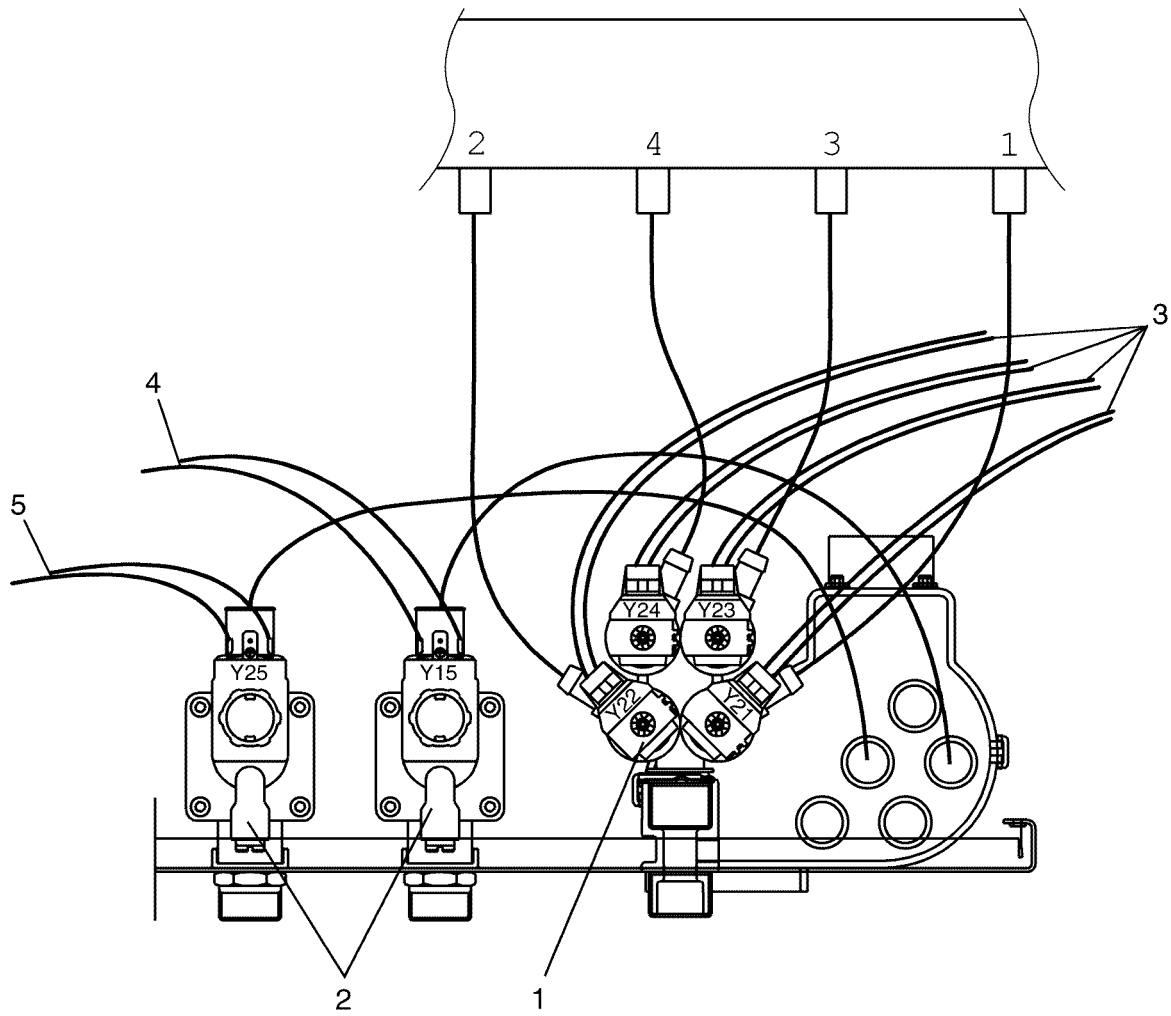
**SU675 Compass**

**Water connections**

Illustration Issue Month Year  
Schéma Issue Month Year  
**102316/1 1 6 2006**

**Raccords d'eau**

Item Article	Qua. Qua.	Art.No Réf. article	Description	Description	Info Info	Notes Remarques
<b>1</b>	1	<b>438 0056-03</b>	Nipple	Raccord	3	Black, 3/4"
	1	<b>438 0056-04</b>	Nipple	Raccord	3	White, 3/4", USA
<b>2</b>	Rq	<b>471 8693-21</b>	Filter	Filtre	3	
<b>3</b>	1	<b>471 8199-01</b>	Gasket	Joint	3	
<b>4</b>	1	<b>471 8688-13</b>	Nipple	Raccord	3	1/8"
<b>5</b>	1	<b>741 5109-25</b>	Plug	Fiche	3	El-drain
<b>6</b>	1	<b>740 4206-00</b>	O-ring	Joint torique	3	El-drain
<b>7</b>	Rq	<b>472 6761-01</b>	Cover washer	Rondelle protection	3	
<b>8</b>	1	<b>432 2301-01</b>	Siphon breaker	Rupteur de siphon	3	
<b>9</b>	Rq	<b>471 8175-01</b>	Plug	Fiche	3	
<b>10</b>	1	<b>471 8644-02</b>	Plug	Fiche	3	
<b>11</b>	1	<b>432 2306-01</b>	Hose	Flexible	1	
<b>12</b>	1	<b>736 2846-51</b>	Hose clamp	Attache flexible	3	Ø73-83
<b>13</b>	1	<b>471 7871-04</b>	Hose clamp	Attache flexible	3	
<b>14</b>	-					Not used
<b>15</b>	-					Not used
<b>16</b>	Rq	<b>877 5211-08</b>	Hose	Flexible	1	Per 1 m
<b>17</b>	Rq	<b>736 2816-51</b>	Hose clamp	Attache flexible	3	Ø13-19
<b>18</b>						Not used
	Rq	<b>432 2308-01</b>	Hose	Flexible	1	
<b>19</b>						Not used
	Rq	<b>736 2825-51</b>	Hose clamp	Attache flexible	3	Ø32



Issue	Month	Year
01	12	06



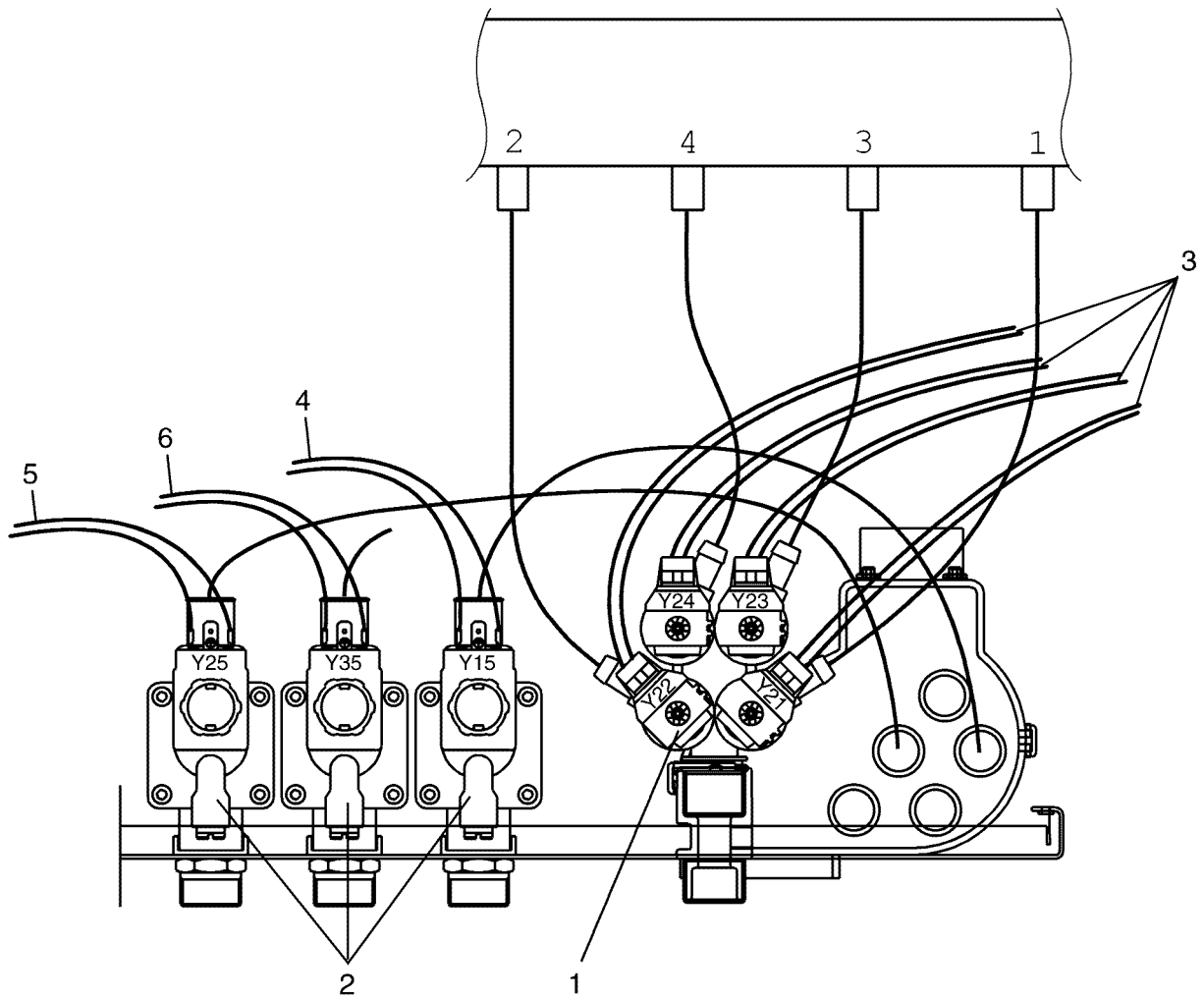
**SU675 Compass**

**Inlet valves and cable set**

**Inlet valves and cable set**

Illustration Issue Month Year  
Schéma Issue Month Year  
**102383/1 3 11 2009**

Item Article	Qua. Qua.	Art.No Réf. article	Description	Description	Info Info	Notes Remarques
<b>1</b>	1	<b>471 8240-63</b>	Valve	Electrovanne	1,2	4-way, 208-240V 50/60Hz, BSP
	1	<b>471 8240-69</b>	Valve	Electrovanne	1,2	4-way, 208-240V 50/60Hz, NH USA USA
<b>2</b>	2	<b>471 8210-70</b>	Valve	Electrovanne	1	208-240V 50/60Hz, BSP
	1	<b>471 8210-79</b>	•Coil	•Bobine	1,2	50/60 Hz
	2	<b>471 8210-71</b>	Valve	Electrovanne	1	208-240V 60Hz, NH USA USA
	1	<b>471 8210-78</b>	•Coil	•Bobine	1,2	60Hz
<b>3</b>	1	<b>413 3088-10</b>	Cable set	Jeu de câbles	3	
<b>4</b>	1	<b>413 3182-15</b>	Cable set	Jeu de câbles	3	
<b>5</b>	1	<b>413 3182-16</b>	Cable set	Jeu de câbles	3	



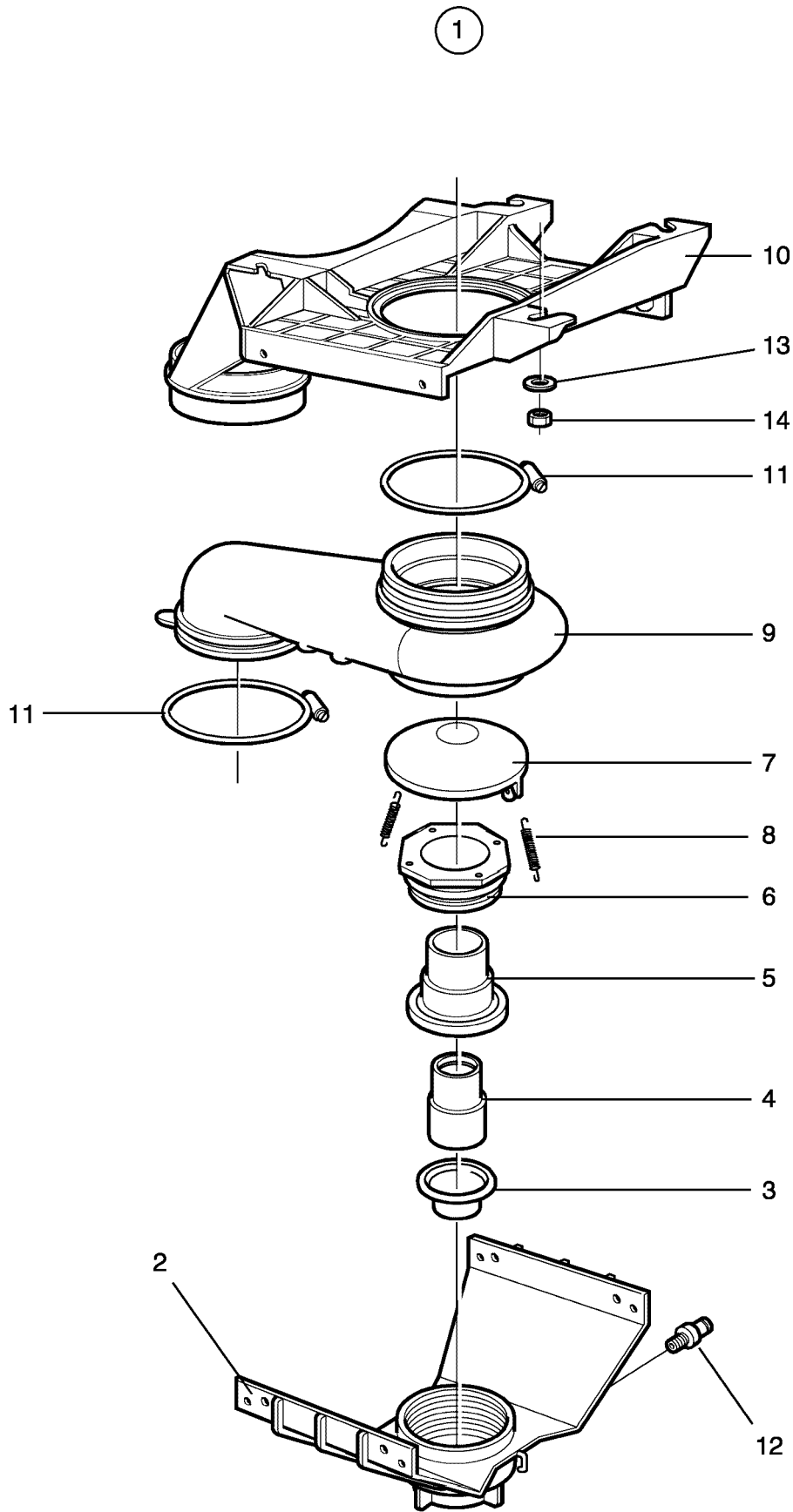
**SU675 Compass**

**Inlet valves and cable set**

**Inlet valves and cable set**

Illustration Issue Month Year  
Schéma Issue Month Year  
**102385/1 3 11 2009**

Item Article	Qua. Qua.	Art.No Réf. article	Description	Description	Info Info	Notes Remarques
<b>1</b>	1	<b>471 8240-63</b>	Valve	Electrovanne	1,2	4-way, 208-240V 50/60Hz, BSP
	1	<b>471 8240-69</b>	Valve	Electrovanne	1,2	4-way, 208-240V 50/60Hz, NH USA
<b>2</b>	3	<b>471 8210-70</b>	Valve	Electrovanne	1	208-240V 50/60Hz, BSP
	1	<b>471 8210-79</b>	•Coil	•Bobine	1,2	50/60 Hz
	3	<b>471 8210-71</b>	Valve	Electrovanne	1	208-240V 60Hz, NH USA USA
	1	<b>471 8210-78</b>	•Coil	•Bobine	1,2	60Hz
<b>3</b>	1	<b>413 3088-10</b>	Cable set	Jeu de câbles	3	
<b>4</b>	1	<b>413 3182-15</b>	Cable set	Jeu de câbles	3	
<b>5</b>	1	<b>413 3182-16</b>	Cable set	Jeu de câbles	3	
<b>6</b>	1	<b>413 3182-17</b>	Cable set	Jeu de câbles	3	



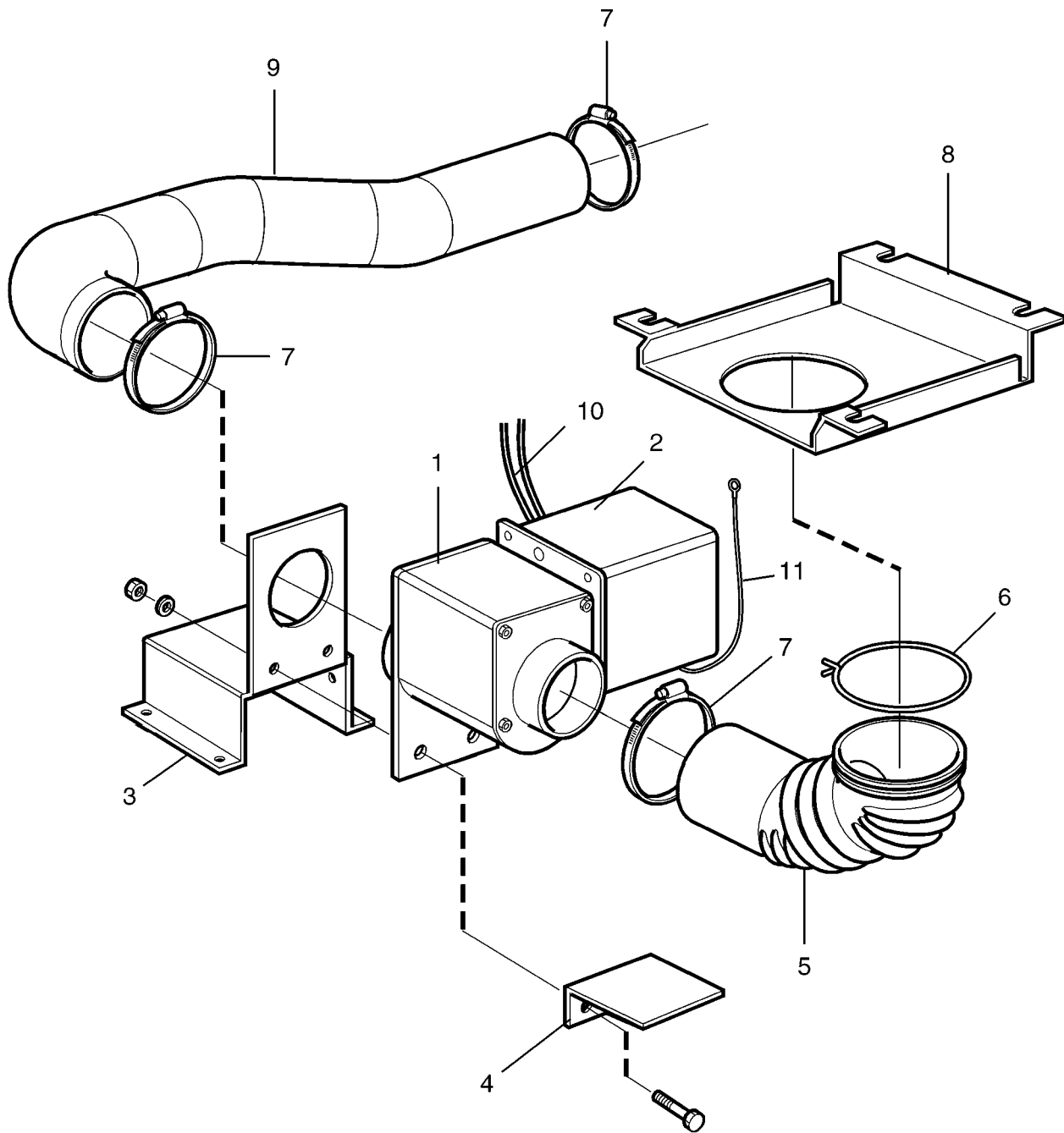
**SU675 Compass**

**Drain valve**

**Vanne de vidange**

Illustration Issue Month Year  
Schéma Issue Month Year  
**102343/1 2 11 2008**

Item Article	Qua. Qua.	Art.No Réf. article	Description	Description	Info Info	Notes Remarques
<b>1</b>	1	<b>432 2502-01</b>	Drain valve	Vanne de vidange	1,2	
<b>2</b>	1	<b>438 0051-01</b>	•Lower frame	•Châssis inférieur	3	
<b>3</b>	1	<b>471 8195-01</b>	•Diaphragm	•Diaphragme	1,2	
<b>4</b>	1	<b>438 0054-01</b>	•Piston	•Piston	3	
<b>5</b>	1	<b>438 0053-01</b>	•Housing	•Logement	3	
<b>6</b>	1	<b>438 0055-01</b>	•Gland	•Presse-étoupe	3	
<b>7</b>	1	<b>438 0052-01</b>	•Cover	•Couvercle	3	
<b>8</b>	2	<b>471 7818-01</b>	•Spring	•Ressort	1	
<b>9</b>	1	<b>432 2505-01</b>	•Hose housing	•Membrane de vidange	1,2	
<b>10</b>	1	<b>432 2501-01</b>	•Upper frame	•Partie supérieure	3	
<b>11</b>	2	<b>471 7871-04</b>	•Hose clamp	•Attache flexible	3	
<b>12</b>	1	<b>471 8688-13</b>	•Nipple	•Raccord	1	1/8"
<b>13</b>	4	<b>734 1153-09</b>	Washer	Rondelle	3	BRB 6,4X12
<b>14</b>	4	<b>732 2116-42</b>	Locking nut	Contre-écrou	3	M6



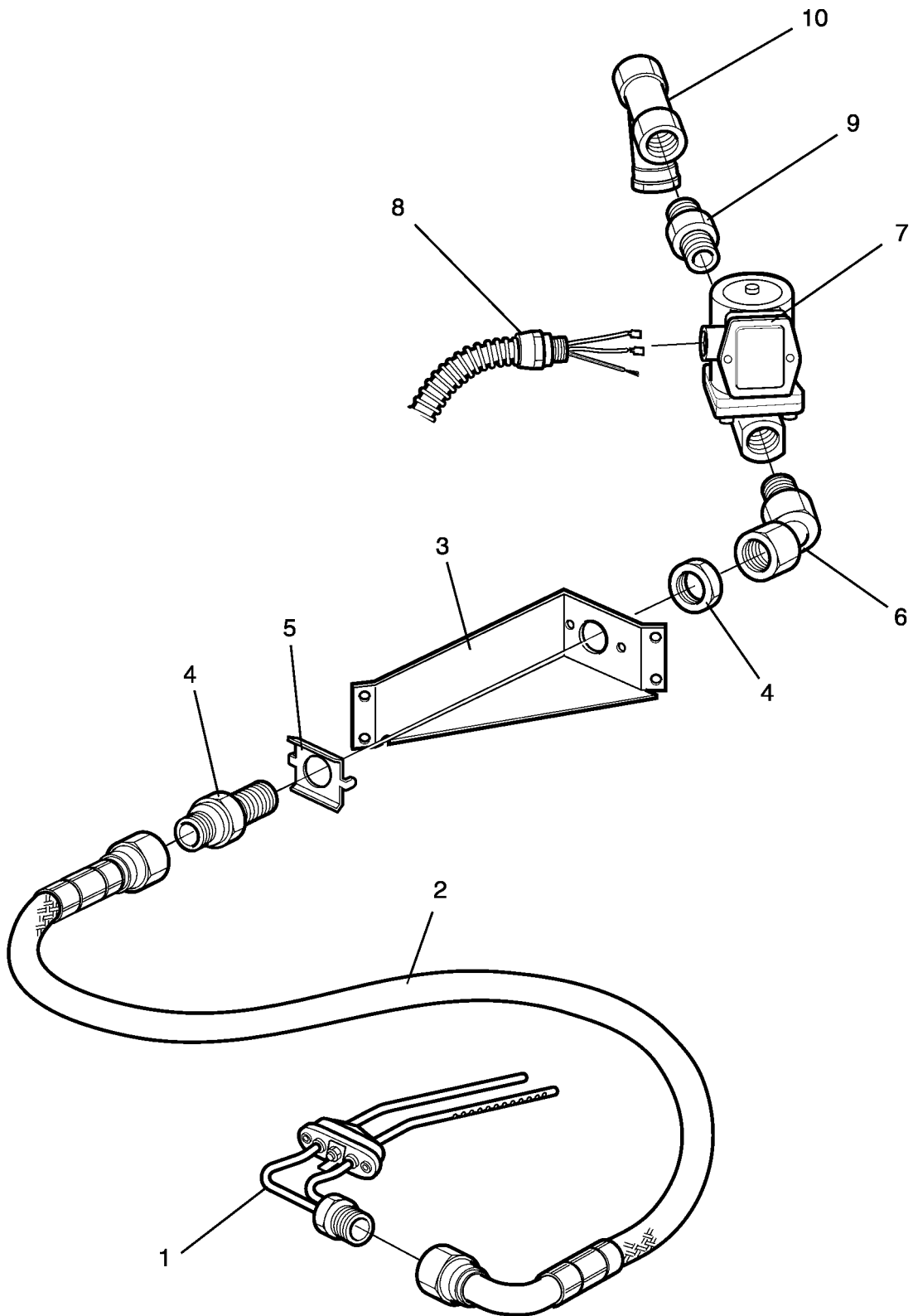
**SU675 Compass**

**Drain valve, electrical**

**Drain valve, electrical**

Illustration Issue Month Year  
Schéma Issue Month Year  
**102492/1 3 6 2009**

Item Article	Qua. Qua.	Art.No Réf. article	Description	Description	Info Info	Notes Remarques
<b>1</b>	1	<b>471 8215-01</b>	Drain valve	Vanne de vidange	1,2	50/60Hz
	1	<b>471 8215-03</b>	Drain valve	Vanne de vidange	1,2	50/60Hz Normally closed
<b>2</b>	1	<b>432 2548-01</b>	Cover	Couvercle	3	
<b>3</b>	1	<b>432 2531-01</b>	Mounting plate	Plaque de montage	3	
<b>4</b>	1	<b>432 2537-01</b>	Support	Support	3	
<b>5</b>	1	<b>432 2516-05</b>	Hose	Flexible	1	
<b>6</b>	1	<b>471 7871-07</b>	Hose clamp	Attache flexible	3	
<b>7</b>	3	<b>736 2846-51</b>	Hose clamp	Attache flexible	3	Ø73-83
<b>8</b>	1	<b>432 2534-01</b>	Mounting plate	Plaque de montage	3	
<b>9</b>	1	<b>432 2518-05</b>	Hose	Flexible	1	
<b>10</b>	1	<b>413 2902-11</b>	Cable set	Jeu de câbles	3	





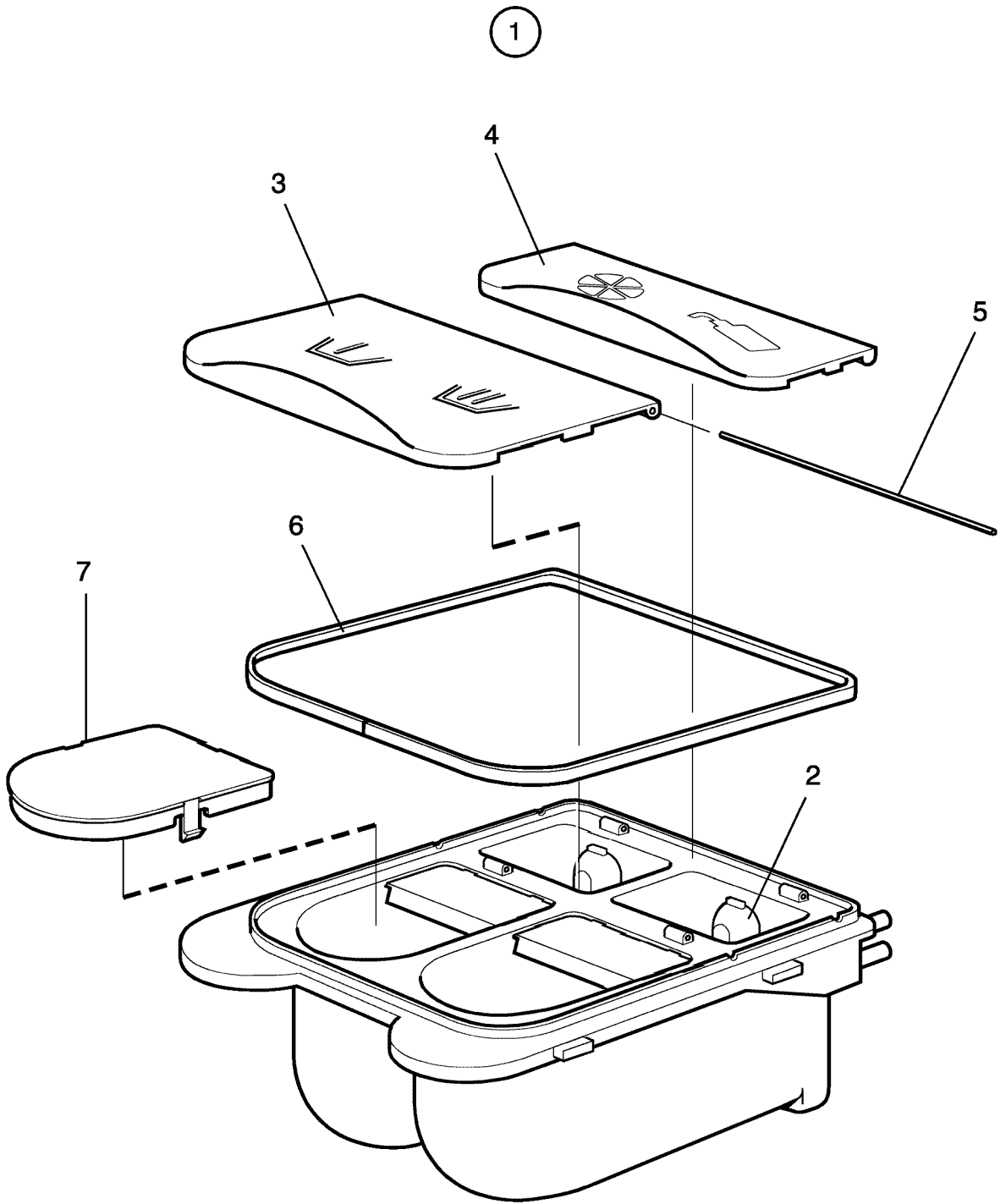
**SU675 Compass**

**Steam components**

Illustration Issue Month Year  
Schéma Issue Month Year  
**102501/1 1 1 2007**

**Composants**

Item Article	Qua. Qua.	Art.No Réf. article	Description	Description	Info Info	Notes Remarques
<b>1</b>	1	<b>432 1631-01</b>	Steam injector	Injecteur de vapeur	3	
<b>2</b>	1	<b>471 8126-28</b>	Steam hose	Tuyau flexible de vapeur	1	
<b>3</b>	1	<b>432 1673-01</b>	Bracket	Pupitre	3	
<b>4</b>	1	<b>471 8695-01</b>	Nipple	Raccord	3	
<b>5</b>	1	<b>471 2937-01</b>	Bracket	Support	3	
<b>6</b>	1	<b>471 8697-01</b>	Adapter	Adaptateur	3	
<b>7</b>	1	<b>471 8279-03</b>	Valve	Electrovanne	1,2	50/60 Hz
	1	<b>471 8279-08</b>	•Repair kit	•Kit de réparation	1,2	
<b>8</b>	1	<b>432 3058-01</b>	Cable set	Jeu de câbles	3	
<b>9</b>	1	<b>471 8624-01</b>	Nipple	Raccord	3	
<b>10</b>	1	<b>744 3113-06</b>	Filter	Filtre	3	1/2"



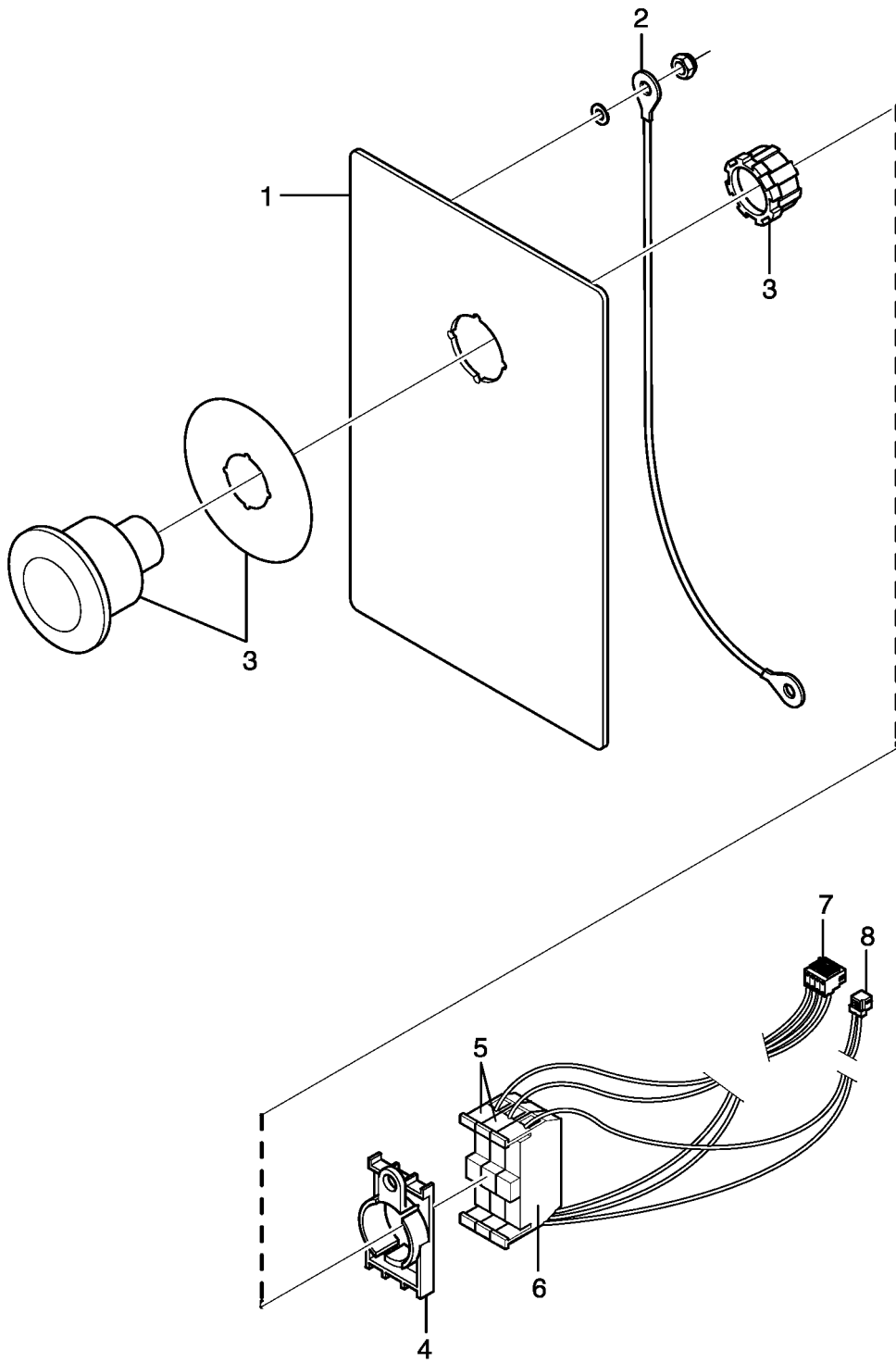
**SU675 Compass**

**Detergent container**

**Compartiment à savon**

Illustration Issue Month Year  
Schéma Issue Month Year  
**102344/1 1 5 2006**

Item Article	Qua. Qua.	Art.No Réf. article	Description	Description	Info Info	Notes Remarques
<b>1</b>	1	<b>432 2401-01</b>	Detergent container	Compartiment à savon	1,2	
<b>2</b>	2	<b>432 2404-01</b>	•Siphon	•Siphon	1,2	
<b>3</b>	1	<b>432 2405-01</b>	•Cover	•Couvercle	1,2	
<b>4</b>	1	<b>432 2406-01</b>	•Cover	•Couvercle	1,2	
<b>5</b>	2	<b>432 2407-01</b>	•Shaft	•Arbre	3	
<b>6</b>	1	<b>438 8103-01</b>	•Seal	•Joint	1,2	
<b>7</b>	1	<b>432 2409-01</b>	Cover	Couvercle	3	



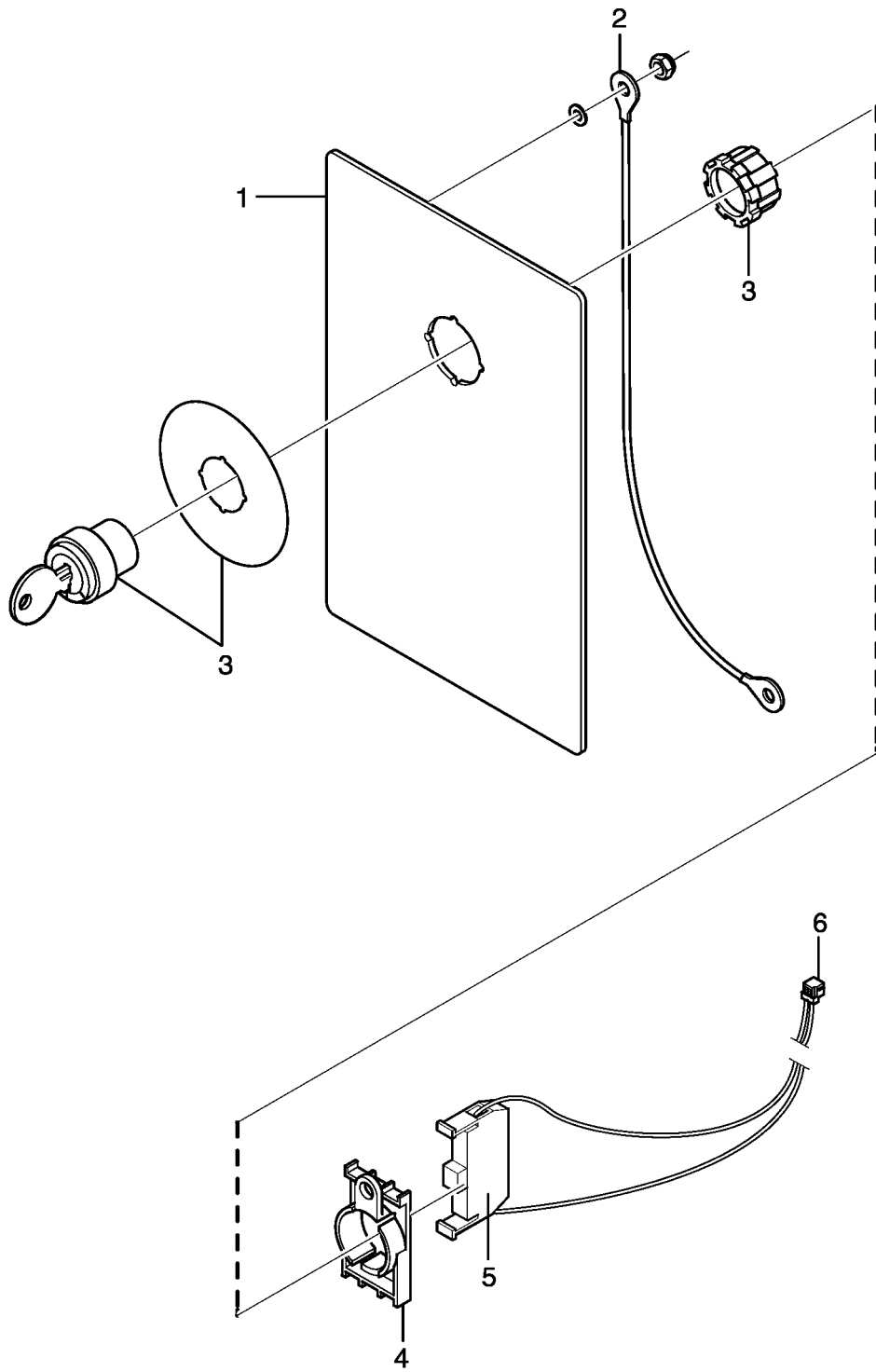
**SU675 Compass**

**Emergency stop**

**Arrêt d'urgence**

Illustration Issue Month Year  
Schéma Issue Month Year  
**102596 1 1 2009**

Item Article	Qua. Qua.	Art.No Réf. article	Description	Description	Info Info	Notes Remarques
<b>1</b>	1	<b>432 2150-12</b>	Cover plate	Plaque recouvrement	3	
<b>2</b>	1	<b>432 2982-20</b>	Cable set	Jeu de câbles	3	
<b>3</b>	1	<b>471 9628-32</b>	Emergency stop	Arrêt d'urgence	1	
<b>4</b>	1	<b>471 9628-75</b>	Bracket	Pièce de retenue	1	
<b>5</b>	2	<b>471 9628-70</b>	Socket	Bloc de connexion	1	NC Red
<b>6</b>	1	<b>471 9628-71</b>	Socket	Bloc de connexion	1	NO Green
<b>7</b>	1	<b>413 3184-16</b>	Cable set	Jeu de câbles	3	
<b>8</b>	1	<b>413 3272-19</b>	Cable set	Jeu de câbles	3	



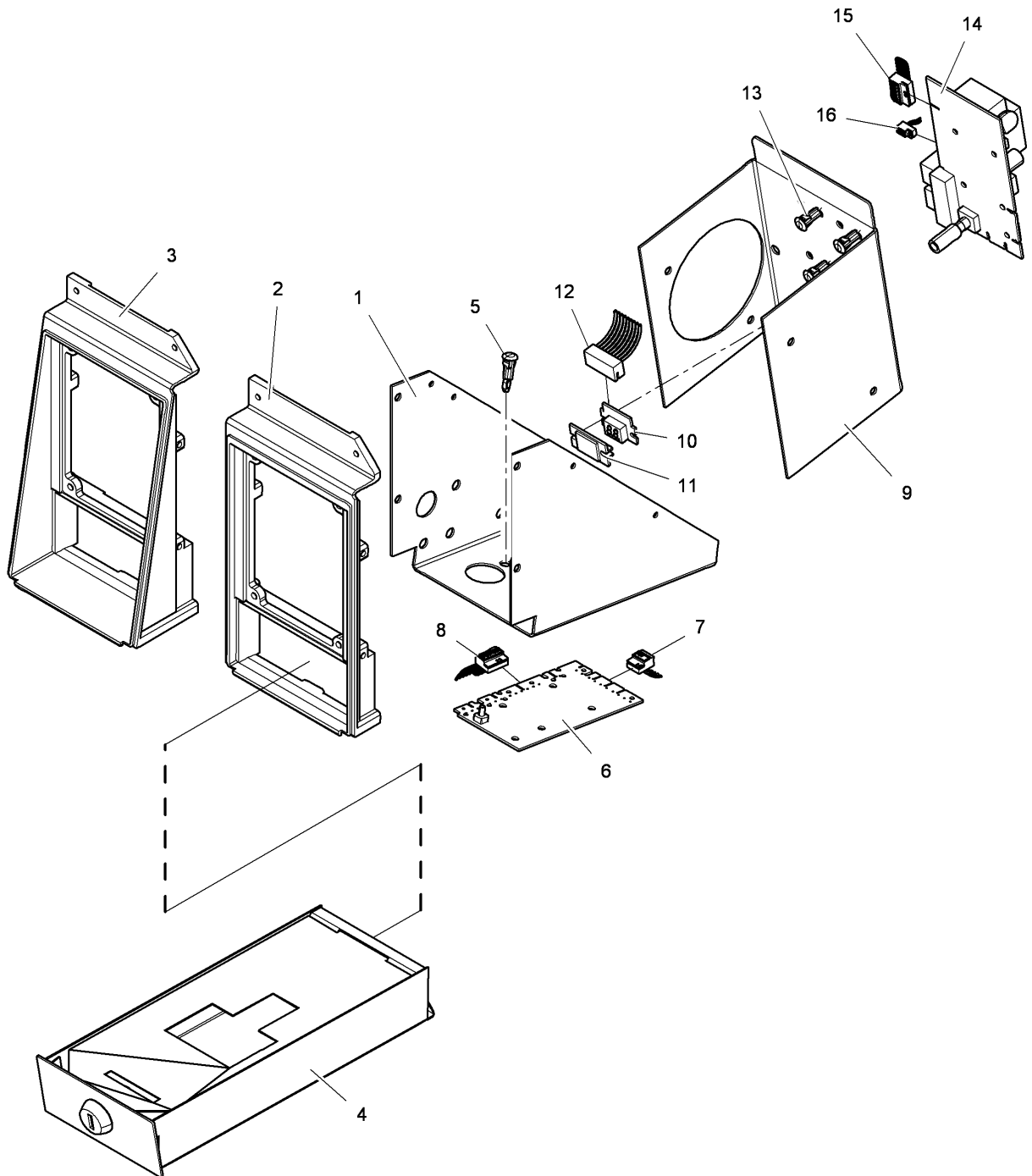
**SU675 Compass**

**Key switch**

**Commutateur à touche**

Illustration    Issue    Month    Year  
Schéma        Issue    Month    Year  
**102663        1        3        2009**

Item Article	Qua. Qua.	Art.No Réf. article	Description	Description	Info Info	Notes Remarques
<b>1</b>	1	<b>432 2150-12</b>	Cover plate	Plaque recouvrement	3	
<b>2</b>	1	<b>432 2982-20</b>	Cable set	Jeu de câbles	3	
<b>3</b>	1	<b>471 9628-85</b>	Key switch	Commutateur à touche	1	
<b>4</b>	1	<b>471 9628-75</b>	Bracket	Pièce de retenue	1	
<b>5</b>	1	<b>471 9628-71</b>	Socket	Bloc de connexion	1	NO Green
<b>6</b>	1	<b>413 3272-21</b>	Cable set	Jeu de câbles	3	





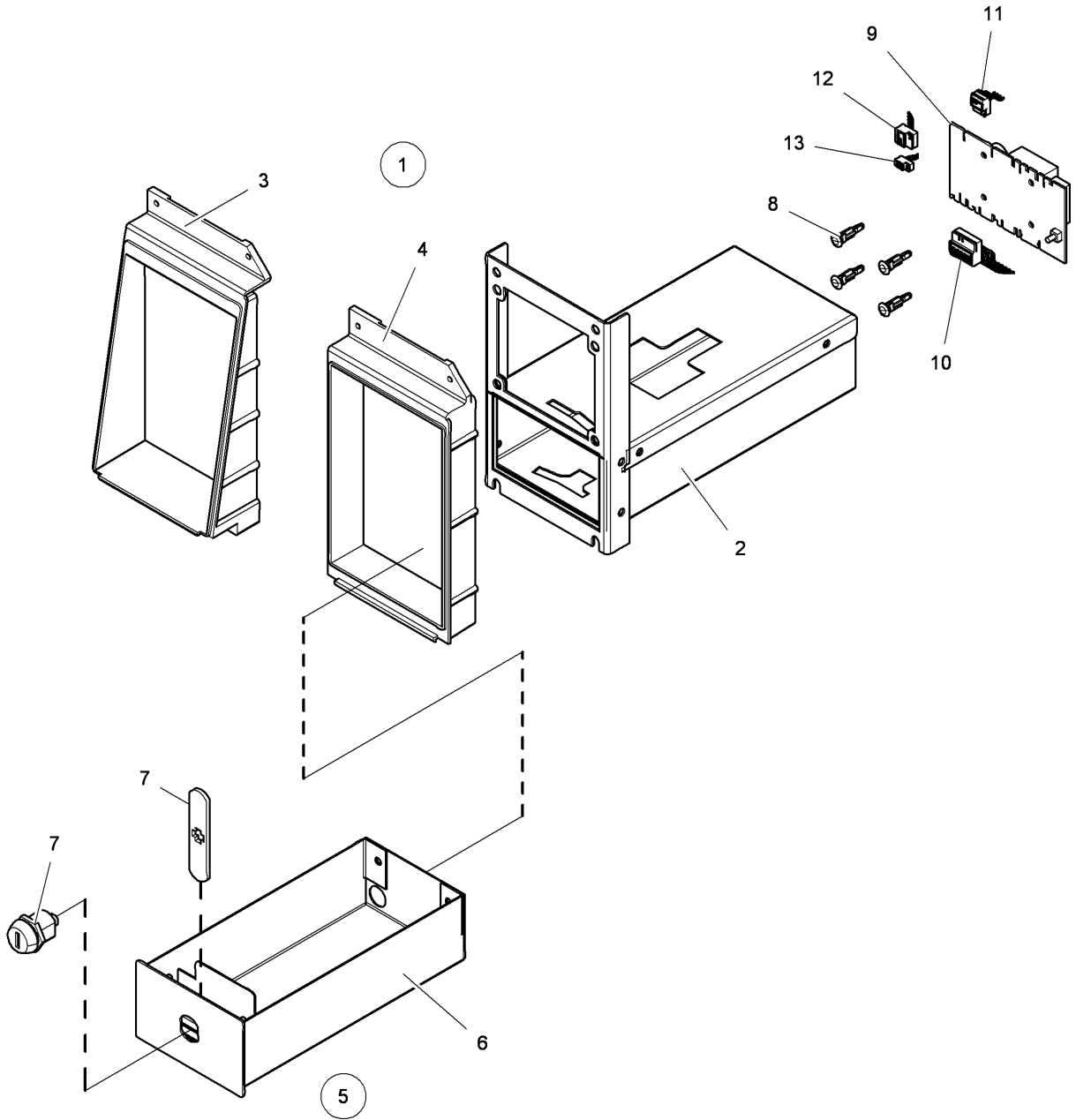
**SU675 Compass**

**Coin box**

**Boîtier à jetons**

Illustration Issue Month Year  
Schéma Issue Month Year  
**500115 1 10 2009**

Item Article	Qua. Qua.	Art.No Réf. article	Description	Description	Info Info	Notes Remarques
<b>1</b>	1	<b>432 2185-02</b>	Bracket	Pupitre	3	
<b>2</b>	1	<b>432 2174-12</b>	Frame	Châssis	3	
<b>3</b>	1	<b>432 2175-12</b>	Frame	Châssis	3	
<b>4</b>	1	<b>432 2203-21</b>	Coin box	Boîtier à jetons	3	Complete
	1	<b>432 2203-22</b>	Coin box	Boîtier à jetons	3	Japan Complete
<b>5</b>	4	<b>471 7958-02</b>	Support	Support	3	
<b>6</b>	1	<b>438 8790-01</b>	Printed circuit board	Carte circuit	1,2	PW9
	1	<b>438 8775-01</b>	Printed circuit board	Carte circuit	1,2	
	1	<b>438 8775-02</b>	Printed circuit board	Carte circuit	1,2	230V Blocking Electronic coin meter
	1	<b>438 8775-05</b>	Printed circuit board	Carte circuit	1,2	9V Blocking Electronic coin meter
<b>7</b>	1	<b>432 3094-01</b>	Cable set	Jeu de câbles	3	PW9
<b>8</b>	1	<b>413 3276-01</b>	Cable set	Jeu de câbles	3	6-pole
<b>9</b>	1	<b>432 2300-01</b>	Bracket	Pupitre	3	Classic Control
<b>10</b>	1	<b>438 8778-12</b>	Printed circuit board	Carte circuit	1,2	Classic Control
<b>11</b>	1	<b>438 8921-90</b>	Display	Affichage	1,2	Classic Control
<b>12</b>	1	<b>413 3279-01</b>	Cable set	Jeu de câbles	3	9-POLE Classic Control
<b>13</b>	5	<b>471 7960-02</b>	Support	Support	3	Classic Control
<b>14</b>	1	<b>438 8778-01</b>	Coin counter	Compteur	1,2	230V Classic Control
	1	<b>438 8778-02</b>	Coin counter	Compteur	1,2	120V Classic Control
<b>15</b>	1	<b>432 3096-15</b>	Cable set	Jeu de câbles	3	Classic Control
<b>16</b>	1	<b>432 3192-71</b>	Cable set	Jeu de câbles	3	2-pole Classic Control



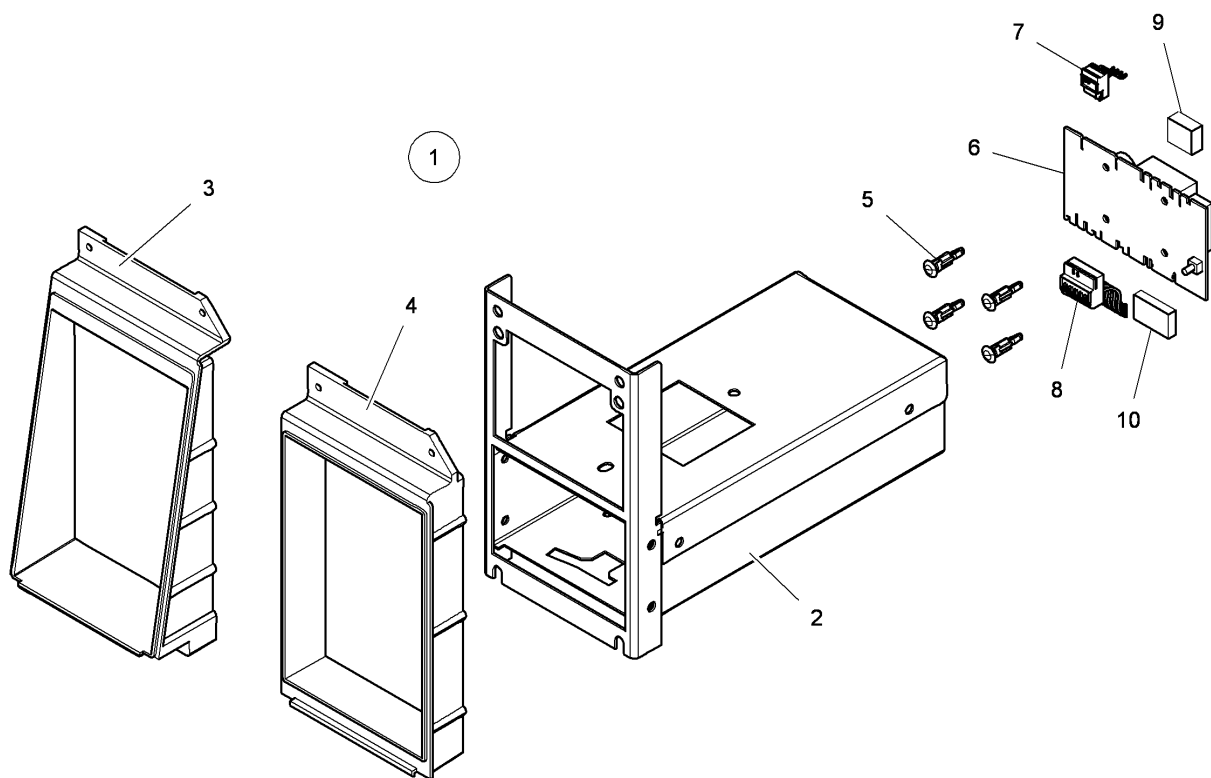
**SU675 Compass**

**Coin box**

**Boîtier à jetons**

Illustration Issue Month Year  
Schéma Issue Month Year  
**500109 1 10 2009**

Item Article	Qua. Qua.	Art.No Réf. article	Description	Description	Info Info	Notes Remarques
<b>1</b>	1	<b>432 2234-12</b>	Coin box	Boîtier à jetons	3	Complete Slanted panel
	1	<b>432 2234-02</b>	Coin box	Boîtier à jetons	3	Complete Vertical panel
<b>2</b>	1	<b>432 2231-02</b>	•Coin box	•Boîtier à jetons	3	
<b>3</b>	1	<b>432 2268-01</b>	•Frame	•Châssis	3	
<b>4</b>	1	<b>432 2173-02</b>	•Frame	•Châssis	3	
<b>5</b>	1	<b>432 2233-01</b>	Coin box	Boîtier à jetons	3	Complete Random key
	1	<b>432 2233-02</b>	Coin box	Boîtier à jetons	3	Complete Key 46080
	1	<b>432 2233-03</b>	Coin box	Boîtier à jetons	3	Complete Key 46199
	1	<b>432 2233-04</b>	Coin box	Boîtier à jetons	3	Complete Key 46819
<b>6</b>	1	<b>432 2232-01</b>	•Coin box	•Boîtier à jetons	3	
<b>7</b>	1	<b>472 9919-30</b>	•Lock	•Serrure	3	Random key
	1	<b>472 9919-31</b>	•Lock	•Serrure	3	Key 46080
	1	<b>472 9919-32</b>	•Lock	•Serrure	3	Key 46199
	1	<b>472 9919-33</b>	•Lock	•Serrure	3	Key 46819
<b>8</b>	4	<b>471 7960-02</b>	Support	Support	3	
<b>9</b>	1	<b>438 8775-01</b>	Printed circuit board	Carte circuit	3	
	1	<b>438 8775-05</b>	Printed circuit board	Carte circuit	3	9V Blocking Electronic coin meter Electronic coin meter
	1	<b>438 8790-03</b>	Printed circuit board	Carte circuit	3	PW 9
<b>10</b>	1	<b>413 3276-01</b>	Cable set	Jeu de câbles	3	6-pole
	1	<b>432 3096-15</b>	Cable set	Jeu de câbles	3	PW 9
<b>11</b>	1	<b>413 3084-09</b>	Cable set	Jeu de câbles	3	4-pole
<b>12</b>	1	<b>432 3094-01</b>	Cable set	Jeu de câbles	3	PW9
<b>13</b>	1	<b>432 3092-10</b>	Cable set	Jeu de câbles	3	2-pole PW 9



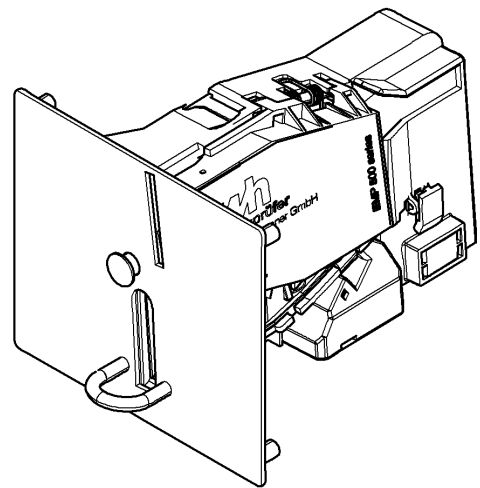
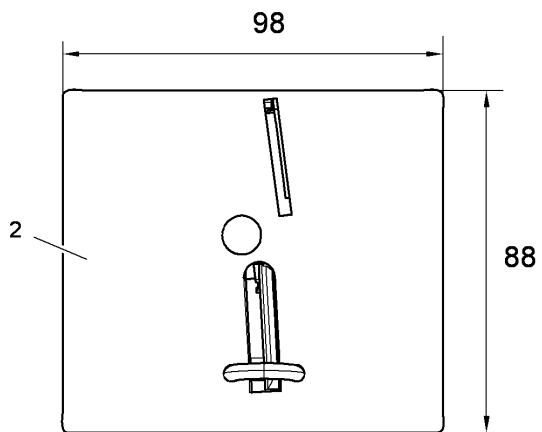
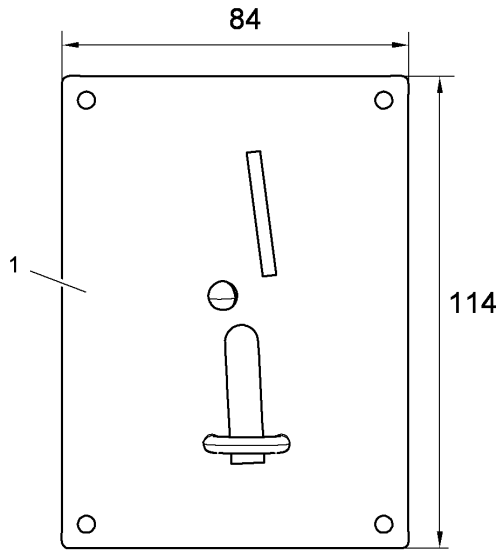
**SU675 Compass**

**Coinbox USA**

**Boîtier à jetons USA**

Illustration Issue Month Year  
Schéma Issue Month Year  
**500110 1 10 2009**

Item Article	Qua. Qua.	Art.No Réf. article	Description	Description	Info Info	Notes Remarques
<b>1</b>	1	<b>432 2234-32</b>	Coin box	Boîtier à jetons	3	Complete Slanted panel
	1	<b>432 2234-22</b>	Coin box	Boîtier à jetons	3	Complete Vertical panel
<b>2</b>	1	<b>432 2231-11</b>	•Coin box	•Boîtier à jetons	3	
<b>3</b>	1	<b>432 2268-01</b>	•Frame	•Châssis	3	
<b>4</b>	1	<b>432 2173-02</b>	•Frame	•Châssis	3	
<b>5</b>	4	<b>471 7960-02</b>	Support	Support	3	
<b>6</b>	1	<b>438 8775-01</b>	Printed circuit board	Carte circuit	1,2	
<b>7</b>	1	<b>413 3084-09</b>	Cable set	Jeu de câbles	3	4-pole
<b>8</b>	1	<b>413 3276-01</b>	Cable set	Jeu de câbles	3	6-pole
<b>9</b>	1	<b>438 8701-04</b>	Frame	Châssis	3	2-pole
	1	<b>438 8701-03</b>	Multistik	Multi-grippe	3	2-pole
<b>10</b>	1	<b>438 8701-01</b>	Multistik	Multi-grippe	3	3-pole
	1	<b>438 8701-02</b>	Multistik	Multi-grippe	3	3-pole



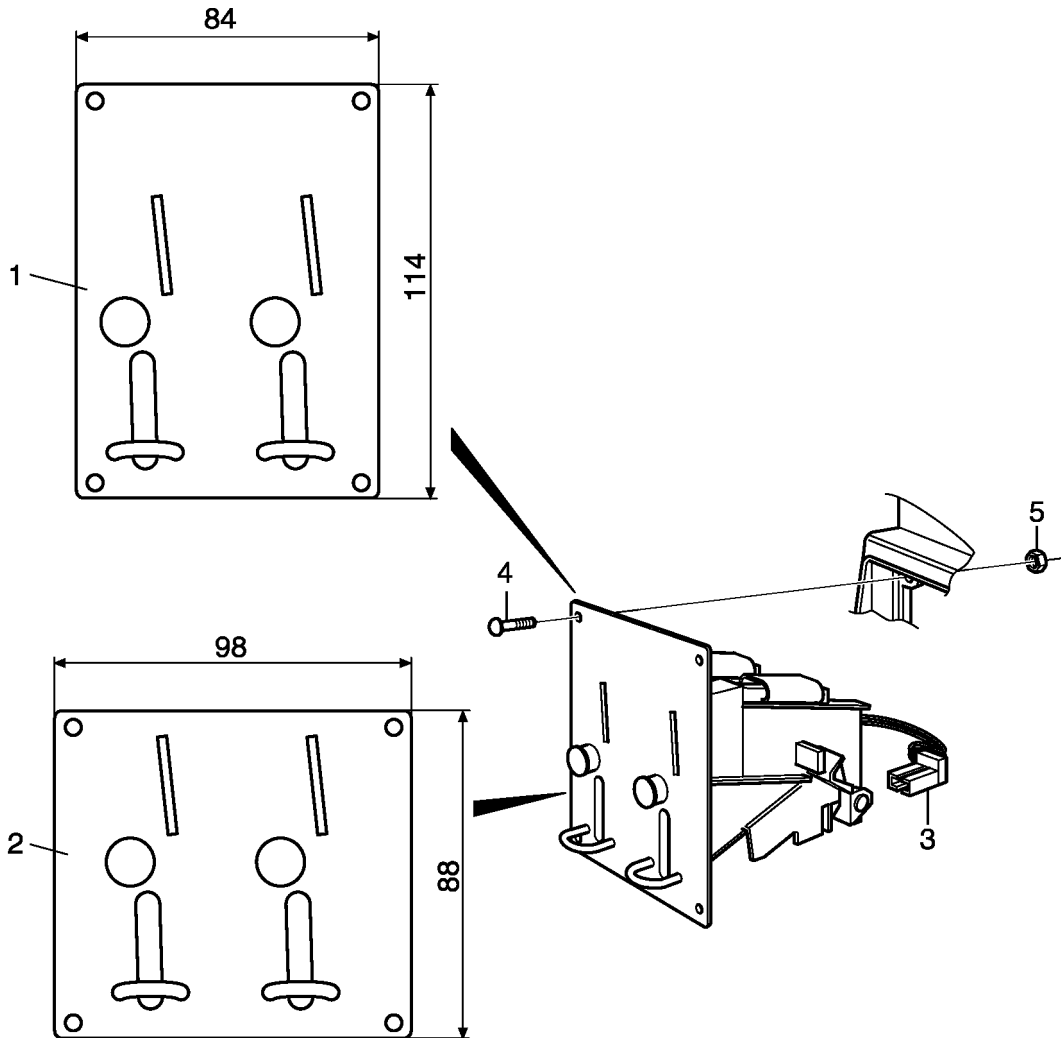
**SU675 Compass**

**Electronic coin meter**

**Monnayeur électronique**

Illustration Issue Month Year  
Schéma Issue Month Year  
**500114 4 5 2010**

Item Article	Qua. Qua.	Art.No Réf. article	Description	Description	Info Info	Notes Remarques
<b>1</b>	1	<b>438 8920-01</b>	Coin meter	Monnayeur	3	2 Coins, 100+500 JPY 230V Blocking
	1	<b>438 8920-11</b>	Coin meter	Monnayeur	3	2 Coins, 100+500 JPY 9V Blocking
<b>2</b>	1	<b>438 8920-02</b>	Coin meter	Monnayeur	3	2 Coins, 0,5+1 NZD
	1	<b>438 8930-01</b>	Coin meter	Monnayeur	3	JPY+WON
	1	<b>438 8930-02</b>	Coin meter	Monnayeur	3	NZD+AUD
	1	<b>438 8930-03</b>	Coin meter	Monnayeur	3	EUR+DKK+NOK
	1	<b>438 8930-04</b>	Coin meter	Monnayeur	3	EUR+SEK
	1	<b>438 8930-05</b>	Coin meter	Monnayeur	3	HKD+TWD
	1	<b>438 8930-06</b>	Coin meter	Monnayeur	3	MOP+MYR+SGD
	1	<b>438 8930-07</b>	Coin meter	Monnayeur	3	CHF+CZK+LTL
	1	<b>438 8930-08</b>	Coin meter	Monnayeur	3	AED+ZAR+ILS
	1	<b>438 8930-09</b>	Coin meter	Monnayeur	3	GBP+EUR
	1	<b>438 8930-10</b>	Coin meter	Monnayeur	3	PLN+EUR
1	<b>438 8930-11</b>	Coin meter	Monnayeur	3	EUR+Tokens	





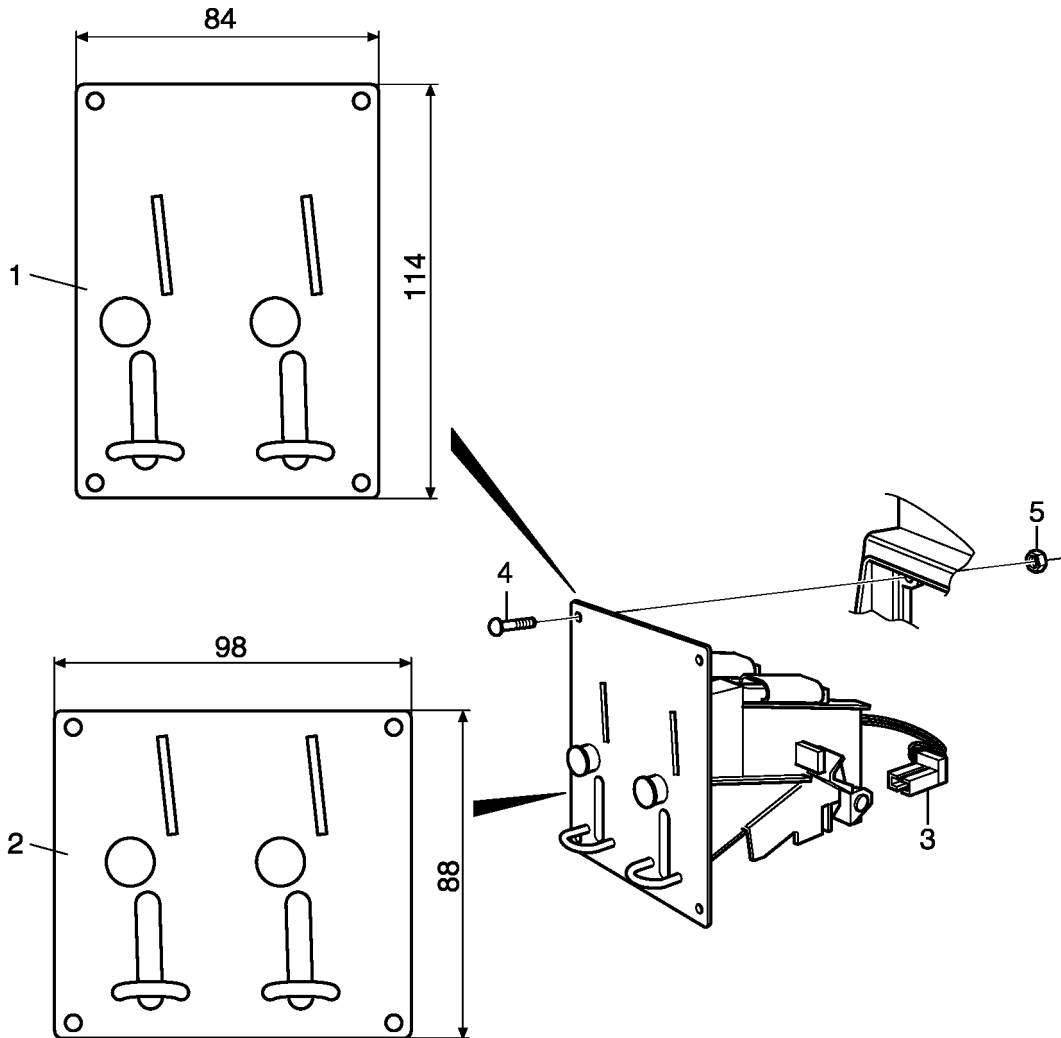
**SU675 Compass**

**Coin meter**

**Monnayeur**

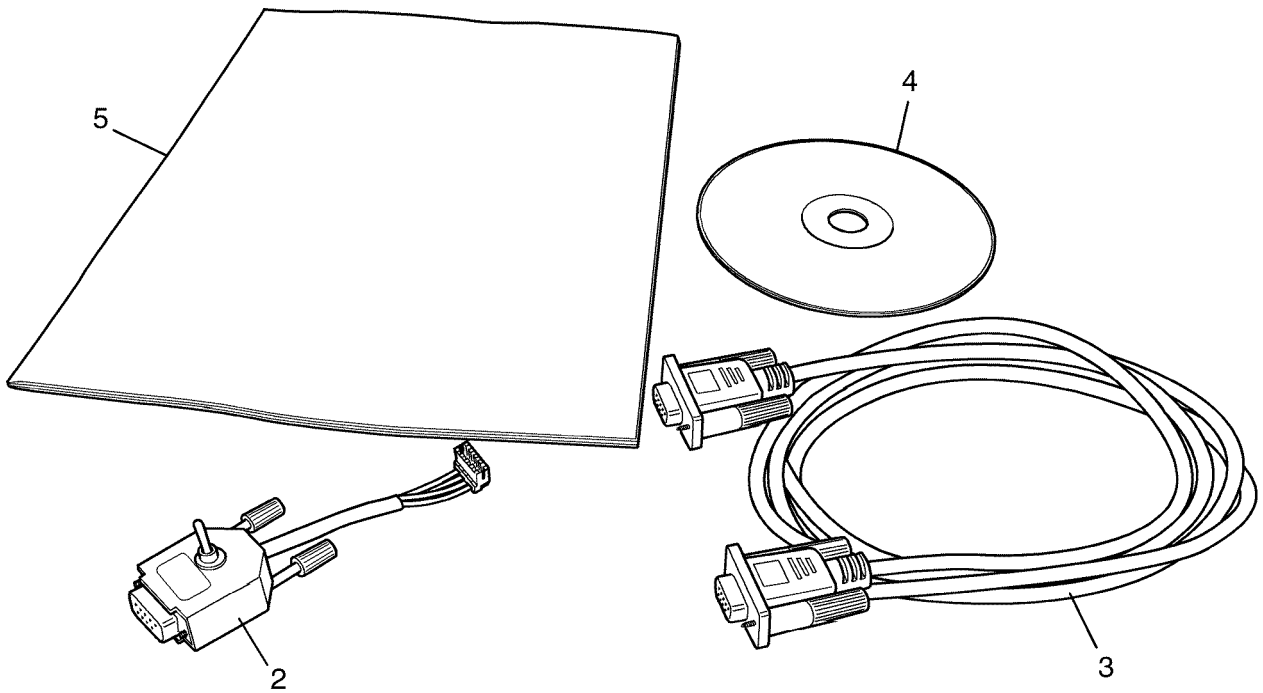
Illustration Issue Month Year  
Schéma Issue Month Year  
**102672 4 4 2010**

Item Article	Qua. Qua.	Art.No Réf. article	Description	Description	Info Info	Notes Remarques
<b>1</b>	1	<b>438 8923-01</b>	Coin meter	Monnayeur	3	1 Coin, 0,25 USD
	1	<b>438 8923-03</b>	Coin meter	Monnayeur	3	1 Coin, 100 JPY
	1	<b>438 8923-04</b>	Coin meter	Monnayeur	3	2 Coins, 0,5+1 EUR
	1	<b>438 8923-05</b>	Coin meter	Monnayeur	3	2 Coins, 0,2 + 1 GBP
	1	<b>438 8923-06</b>	Coin meter	Monnayeur	3	2 Coins, 1+5 DKK
	1	<b>438 8923-07</b>	Coin meter	Monnayeur	3	2 Coins, 10+50 TWD
	1	<b>438 8923-09</b>	Coin meter	Monnayeur	3	2 Coins, 1+10 DKK
	1	<b>438 8923-10</b>	Coin meter	Monnayeur	3	2 Coins, 2+5 DKK
	1	<b>438 8923-11</b>	Coin meter	Monnayeur	3	2 Coins, 2+10 DKK
	1	<b>438 8923-12</b>	Coin meter	Monnayeur	3	2 Coins, 5+10 DKK
	1	<b>438 8923-13</b>	Coin meter	Monnayeur	3	2 Coins, 1+5 NOK
	1	<b>438 8923-14</b>	Coin meter	Monnayeur	3	2 Coins, 1+10 NOK
	1	<b>438 8923-15</b>	Coin meter	Monnayeur	3	2 Coins, 5+10 NOK
	1	<b>438 8923-16</b>	Coin meter	Monnayeur	3	2 Coins, 10+20 NOK
	1	<b>438 8923-20</b>	Coin meter	Monnayeur	3	2 Coins, 1+5 HKD
	1	<b>438 8923-22</b>	Coin meter	Monnayeur	3	2 Coins, 0,2+1 AUD
	1	<b>438 8924-04</b>	Coin meter	Monnayeur	3	2 Coins, 1+1 AUD
	1	<b>438 8923-23</b>	Coin meter	Monnayeur	3	2 Coins, 0,1+0,5 EUR
	1	<b>438 8923-25</b>	Coin meter	Monnayeur	3	2 Coins, 0,2+1 EUR
	1	<b>438 8923-26</b>	Coin meter	Monnayeur	3	2 Coins, 1+2 EUR
	1	<b>438 8923-27</b>	Coin meter	Monnayeur	3	2 Coins, 0,2+2 EUR
	1	<b>438 8923-29</b>	Coin meter	Monnayeur	3	TOKEN MENCH Ø25,78x2,34
	1	<b>438 8923-31</b>	Coin meter	Monnayeur	3	1 Coin, 1 AED
	1	<b>438 8923-32</b>	Coin meter	Monnayeur	3	1 Coin, 1 AUD
	1	<b>438 8923-35</b>	Coin meter	Monnayeur	3	1 Coin, 2 DKK
	1	<b>438 8923-36</b>	Coin meter	Monnayeur	3	1 Coin, 10 DKK
	1	<b>438 8923-37</b>	Coin meter	Monnayeur	3	1 Coin, 0,1 EUR
	1	<b>438 8923-38</b>	Coin meter	Monnayeur	3	1 Coin, 0,2 EUR
	1	<b>438 8923-39</b>	Coin meter	Monnayeur	3	1 Coin, 0,5 EUR
	1	<b>438 8923-40</b>	Coin meter	Monnayeur	3	1 Coin, 1 EUR
	1	<b>438 8923-42</b>	Coin meter	Monnayeur	3	1 Coin, 1 MACAUDOLLAR
	1	<b>438 8923-43</b>	Coin meter	Monnayeur	3	1 Coin, 5 HKD
	1	<b>438 8923-45</b>	Coin meter	Monnayeur	3	1 Coin, 500 WON
	1	<b>438 8923-48</b>	Coin meter	Monnayeur	3	1 Coin, 1 SEK
	1	<b>438 8923-49</b>	Coin meter	Monnayeur	3	1 Coin, 5 SEK
	1	<b>438 8923-52</b>	Coin meter	Monnayeur	3	1 Coin, 1 SGD
	1	<b>438 8923-53</b>	Coin meter	Monnayeur	3	1 Coin, 10 TWD
	1	<b>438 8923-55</b>	Coin meter	Monnayeur	3	1 Coin, 1 NOK
	1	<b>438 8923-57</b>	Coin meter	Monnayeur	3	1 Coin, 10 NOK
	1	<b>438 8923-59</b>	Coin meter	Monnayeur	3	TOKEN 25,7x1,6
	1	<b>438 8923-60</b>	Coin meter	Monnayeur	3	TOKEN 26,0x2,1
	1	<b>438 8923-68</b>	Coin meter	Monnayeur	3	TOKEN 26,3x1,9
	1	<b>438 8923-76</b>	Coin meter	Monnayeur	3	TOKEN 25,0x2,0
	1	<b>438 8923-78</b>	Coin meter	Monnayeur	3	TOKEN 23,5x1,7
	1	<b>438 8923-79</b>	Coin meter	Monnayeur	3	TOKEN 25,8x1,7
	1	<b>438 8923-81</b>	Coin meter	Monnayeur	3	TOKEN 27,4x1,6
	1	<b>438 8923-82</b>	Coin meter	Monnayeur	3	TOKEN 25,0x1,8
	1	<b>438 8923-83</b>	Coin meter	Monnayeur	3	TOKEN 24,3x1,5
	1	<b>438 8923-85</b>	Coin meter	Monnayeur	3	TOKEN 22,5x1,5
	1	<b>438 8923-86</b>	Coin meter	Monnayeur	3	TOKEN 27,0x1,6
	1	<b>438 8923-87</b>	Coin meter	Monnayeur	3	TOKEN 24,3x1,5
	1	<b>438 8923-88</b>	Coin meter	Monnayeur	3	TOKEN 23,7x1,6
	1	<b>438 8923-89</b>	Coin meter	Monnayeur	3	TOKEN 19,0x1,0
	1	<b>438 8923-90</b>	Coin meter	Monnayeur	3	TOKEN 19,0x1,5
	1	<b>438 8923-91</b>	Coin meter	Monnayeur	3	TOKEN 22,35x1,6
	1	<b>438 8923-94</b>	Coin meter	Monnayeur	3	TOKEN MIELE
	1	<b>438 8923-95</b>	Coin meter	Monnayeur	3	1 Coin, 5 DKK
	1	<b>438 8923-96</b>	Coin meter	Monnayeur	3	2 Coins, 1+2 AUD
	1	<b>438 8924-05</b>	Coin meter	Monnayeur	3	2 Coins, 2+2 AUD



<b>SU675 Compass</b>				Illustration	Issue	Month	Year
<b>Coin meter</b>				Schéma	Issue	Month	Year
<b>Monnayeur</b>				<b>102672</b>	<b>4</b>	<b>4</b>	<b>2010</b>
Item	Qua.	Art.No	Description	Description	Info	Notes	
Article	Qua.	Réf. article			Info	Remarques	
<b>2</b>	1	<b>438 8923-97</b>	Coin meter	Monnayeur	3	1 Coin, 2 EUR	
	1	<b>438 8923-98</b>	Coin meter	Monnayeur	3	TOKEN 32,0x2,0	
	1	<b>438 8924-01</b>	Coin meter	Monnayeur	3	2 Coins, 1+5 LTL	
	1	<b>438 8924-03</b>	Coin meter	Monnayeur	3	2 Coins, 1+2 CHF	
	1	<b>438 8931-40</b>	Coin meter	Monnayeur	3	1 Coin, 1 EUR	
	1	<b>438 8931-59</b>	Coin meter	Monnayeur	3	TOKEN 25,7x1,6	
	1	<b>438 8931-60</b>	Coin meter	Monnayeur	3	TOKEN 26,0x2,1	
	1	<b>438 8931-76</b>	Coin meter	Monnayeur	3	TOKEN 25,0x2,0	
	1	<b>438 8931-78</b>	Coin meter	Monnayeur	3	TOKEN 23,5x1,7	
	1	<b>438 8931-79</b>	Coin meter	Monnayeur	3	TOKEN 25,8x1,7	
	1	<b>438 8931-81</b>	Coin meter	Monnayeur	3	TOKEN 27,4x1,6	
	1	<b>438 8931-82</b>	Coin meter	Monnayeur	3	TOKEN 25,0x1,8	
	1	<b>438 8931-85</b>	Coin meter	Monnayeur	3	TOKEN 22,5x1,5	
	1	<b>438 8931-86</b>	Coin meter	Monnayeur	3	TOKEN 27,0x1,6	
	1	<b>438 8931-87</b>	Coin meter	Monnayeur	3	TOKEN 24,3x1,5	
	1	<b>438 8931-88</b>	Coin meter	Monnayeur	3	TOKEN 23,7x1,6	
	1	<b>438 8931-89</b>	Coin meter	Monnayeur	3	TOKEN 19,0x1,0	
	1	<b>438 8931-90</b>	Coin meter	Monnayeur	3	TOKEN 19,0x1,5	
	1	<b>438 8931-91</b>	Coin meter	Monnayeur	3	TOKEN 22,35x1,6	
	1	<b>438 8932-04</b>	Coin meter	Monnayeur	3	2 Coins, 0,5+1 EUR	
1	<b>438 8932-25</b>	Coin meter	Monnayeur	3	2 Coins, 0,2+1 EUR		
1	<b>438 8932-27</b>	Coin meter	Monnayeur	3	2 Coins, 0,2+2 EUR		
1	<b>438 8932-05</b>	Coin meter	Monnayeur	3	2 Coins, 0,2+1 GBP		
1	<b>438 8932-06</b>	Coin meter	Monnayeur	3	2 Coins, 1+5 DKK		
1	<b>438 8932-07</b>	Coin meter	Monnayeur	3	2 Coins, 10+50 TWD		
1	<b>438 8932-32</b>	Coin meter	Monnayeur	3	2 Coins, 1+1 AUD		
<b>3</b>	Rq	<b>438 8924-99</b>	•Sensor	•Décteur	1,2		
<b>4</b>	4	<b>471 8910-90</b>	Screw	Vis	3		
<b>5</b>	4	<b>731 2312-01</b>	Nut	Écrou	3	M4	

1



**SU675 Compass**

**Compass control loader**

Illustration	Issue	Month	Year
Schéma	Issue	Month	Year
<b>102486/1</b>	<b>1</b>	<b>12</b>	<b>2006</b>

**Compass control loader**

Item Article	Qua. Qua.	Art.No Réf. article	Description	Description	Info Info	Notes Remarques
<b>1</b>	1		Compass control loader	Compass control loader	3	Complete
<b>2</b>	1	<b>413 2934-01</b>	•Cable	•Câble	3	
<b>3</b>	1	<b>438 8793-01</b>	•Cable	•Câble	3	Complete
<b>4</b>	1	<b>438 9210-60</b>	•CD-ROM	•CD-ROM	3	
<b>5</b>	1	<b>438 9212-90</b>	•User instructions	•Instruction de fonctionnement	3	Swedish
	1	<b>438 9212-91</b>	•User instructions	•Instruction de fonctionnement	3	English



Numerical index/Numerical index

Art.No/Réf. article	Page/Page	Art.No/Réf. article	Page/Page	Art.No/Réf. article	Page/Page	Art.No/Réf. article	Page/Page
413 2200-71	7	432 1472-01	17	432 2257-01	25	432 3096-15	51
413 2201-07	7	432 1504-21	11	432 2258-01	25	432 3106-01	25
413 2201-33	7	432 1544-01	11	432 2259-01	7	432 3182-43	29
413 2609-10	21	432 1549-01	11	432 2264-01	21	432 3192-71	49
413 2611-42	21	432 1554-01	11	432 2268-01	51	432 3604-01	27
413 2611-43	21	432 1564-01	11	432 2268-01	53	432 3604-02	27
413 2902-11	39	432 1569-01	11	432 2270-01	13	432 6318-01	7
413 2905-02	25	432 1574-31	11	432 2273-01	7	432 6320-01	25
413 2915-01	7	432 1574-32	11	432 2291-65	7	432 6323-01	25
413 2915-02	7	432 1574-33	11	432 2291-66	7	432 6324-01	23
413 2915-02	25	432 1609-41	11	432 2300-01	49	432 6325-01	23
413 2918-05	19	432 1631-01	41	432 2301-01	31	432 6326-01	23
413 2918-06	19	432 1653-01	9	432 2306-01	31	432 6327-01	23
413 2918-08	19	432 1654-01	9	432 2308-01	31	432 6344-02	23
413 2934-01	61	432 1673-01	41	432 2401-01	43	432 6345-01	23
413 2946-01	27	432 1828-02	13	432 2404-01	43	432 6805-06	25
413 2965-01	9	432 1843-02	13	432 2405-01	43	432 6902-04	23
413 2965-02	9	432 1858-01	13	432 2406-01	43	432 6903-02	25
413 2965-03	9	432 1858-02	13	432 2407-01	43	432 6930-02	25
413 2965-04	9	432 1874-01	13	432 2409-01	43	432 6933-02	25
413 2965-05	9	432 1888-11	13	432 2501-01	37	432 8702-03	23
413 3082-05	25	432 1890-02	13	432 2502-01	29	438 0016-10	17
413 3082-35	25	432 1950-02	13	432 2502-01	37	438 0051-01	37
413 3084-02	27	432 1951-01	13	432 2505-01	37	438 0052-01	37
413 3084-09	51	432 1962-01	13	432 2506-01	29	438 0053-01	37
413 3084-09	53	432 2044-03	7	432 2507-01	29	438 0054-01	37
413 3084-19	23	432 2044-10	7	432 2508-02	29	438 0055-01	37
413 3084-23	19	432 2068-01	7	432 2511-01	29	438 0056-03	31
413 3084-25	25	432 2076-01	7	432 2516-05	39	438 0056-04	31
413 3088-10	33	432 2121-02	7	432 2518-05	39	438 2440-02	23
413 3088-10	35	432 2131-07	7	432 2521-03	29	438 4049-01	17
413 3182-02	25	432 2150-11	21	432 2522-01	29	438 4062-01	13
413 3182-15	33	432 2150-12	45	432 2531-01	39	438 5109-02	7
413 3182-15	35	432 2150-12	47	432 2534-01	39	438 7950-01	25
413 3182-16	33	432 2154-01	25	432 2537-01	39	438 7950-02	25
413 3182-16	35	432 2173-02	51	432 2548-01	39	438 8102-06	29
413 3182-17	35	432 2173-02	53	432 2620-02	13	438 8103-01	43
413 3184-16	45	432 2174-12	49	432 2620-03	13	438 8115-04	13
413 3272-19	45	432 2175-12	49	432 2620-04	13	438 8155-05	11
413 3272-21	47	432 2180-01	7	432 2620-12	13	438 8701-01	25
413 3272-25	9	432 2182-04	7	432 2647-21	21	438 8701-01	53
413 3272-26	17	432 2185-02	49	432 2647-23	21	438 8701-02	53
413 3274-01	25	432 2198-01	9	432 2647-24	21	438 8701-03	25
413 3274-03	25	432 2198-02	13	432 2647-26	21	438 8701-03	53
413 3274-07	23	432 2199-01	25	432 2647-30	21	438 8701-04	53
413 3274-15	23	432 2199-03	25	432 2905-14	15	438 8720-01	25
413 3274-20	23	432 2199-05	25	432 2905-14	23	438 8720-02	25
413 3275-02	23	432 2200-63	7	432 2925-01	19	438 8720-03	25
413 3276-01	49	432 2200-68	7	432 2954-03	25	438 8774-02	19
413 3276-01	51	432 2200-70	7	432 2954-13	25	438 8775-01	49
413 3276-01	53	432 2203-21	49	432 2954-14	25	438 8775-01	51
413 3279-01	49	432 2203-22	49	432 2977-01	9	438 8775-01	53
413 3280-01	23	432 2215-01	7	432 2982-20	45	438 8775-02	49
413 4312-01*	13	432 2231-02	51	432 2982-20	47	438 8775-05	49
413 4312-02	13	432 2231-11	53	432 2983-02	17	438 8775-05	51
413 4415-51	9	432 2232-01	51	432 2983-02	25	438 8778-01	49
432 1220-01	27	432 2233-01	51	432 2984-01	25	438 8778-02	49
432 1229-01	17	432 2233-02	51	432 2985-01	9	438 8778-12	49
432 1295-01	9	432 2233-03	51	432 2991-02	17	438 8790-01	49
432 1338-01	9	432 2233-04	51	432 3058-01	41	438 8790-03	51
432 1421-01	9	432 2234-02	51	432 3076-01	27	438 8793-01	61
432 1451-02	9	432 2234-12	51	432 3092-10	51	438 8797-02	25
432 1453-01	9	432 2234-22	53	432 3092-86	25	438 8920-01	55
432 1455-01	17	432 2234-32	53	432 3094-01	49	438 8920-02	55
432 1463-01	17	432 2249-01	7	432 3094-01	51	438 8920-11	55
432 1465-01	17	432 2256-01	25	432 3096-15	49	438 8921-90	49

## Numerical index/Numerical index

Art.No/Réf. article	Page/Page	Art.No/Réf. article	Page/Page	Art.No/Réf. article	Page/Page	Art.No/Réf. article	Page/Page
438 8923-01	57	438 8930-03	55	471 7788-10	21	471 8641-02	7
438 8923-03	57	438 8930-04	55	471 7807-02	9	471 8644-02	31
438 8923-04	57	438 8930-05	55	471 7807-02	11	471 8688-13	31
438 8923-05	57	438 8930-06	55	471 7818-01	37	471 8688-13	37
438 8923-06	57	438 8930-07	55	471 7826-10	7	471 8693-21	31
438 8923-07	57	438 8930-08	55	471 7859-12	25	471 8695-01	41
438 8923-09	57	438 8930-09	55	471 7859-16	25	471 8697-01	41
438 8923-10	57	438 8930-10	55	471 7864-01	7	471 8750-11	25
438 8923-11	57	438 8930-11	55	471 7867-01	17	471 8750-16	27
438 8923-12	57	438 8931-40	59	471 7871-04	31	471 8767-01	25
438 8923-13	57	438 8931-59	59	471 7871-04	37	471 8767-02	25
438 8923-14	57	438 8931-60	59	471 7871-07	39	471 8768-02	19
438 8923-15	57	438 8931-76	59	471 7887-01	29	471 8783-01	25
438 8923-16	57	438 8931-78	59	471 7958-02	49	471 8783-03	25
438 8923-20	57	438 8931-79	59	471 7960-02	25	471 8783-04	25
438 8923-22	57	438 8931-81	59	471 7960-02	49	471 8826-01	17
438 8923-23	57	438 8931-82	59	471 7960-02	51	471 8827-01	17
438 8923-25	57	438 8931-85	59	471 7960-02	53	471 8861-01	23
438 8923-26	57	438 8931-86	59	471 7977-03	27	471 8861-02	7
438 8923-27	57	438 8931-87	59	471 7977-04	27	471 8863-01	23
438 8923-29	57	438 8931-88	59	471 8118-01	29	471 8910-90	59
438 8923-31	57	438 8931-89	59	471 8124-09	29	471 9222-59	11
438 8923-32	57	438 8931-90	59	471 8126-28	41	471 9628-32	45
438 8923-35	57	438 8931-91	59	471 8128-41	29	471 9628-70	45
438 8923-36	57	438 8932-04	59	471 8128-65	29	471 9628-71	45
438 8923-37	57	438 8932-05	59	471 8139-01	29	471 9628-71	47
438 8923-38	57	438 8932-06	59	471 8139-16	29	471 9628-75	45
438 8923-39	57	438 8932-07	59	471 8175-01	31	471 9628-75	47
438 8923-40	57	438 8932-25	59	471 8195-01	37	471 9628-85	47
438 8923-42	57	438 8932-27	59	471 8196-01	7	471 9678-94	27
438 8923-43	57	438 8932-32	59	471 8199-01	31	471 9822-99	9
438 8923-45	57	438 9210-60	61	471 8210-70	33	471 9827-21	9
438 8923-48	57	438 9212-90	61	471 8210-70	35	471 9827-22	9
438 8923-49	57	438 9212-91	61	471 8210-71	33	471 9827-23	9
438 8923-52	57	438 9561-01	15	471 8210-71	35	471 9827-24	9
438 8923-53	57	438 9563-01	9	471 8210-78	33	471 9829-21	9
438 8923-55	57	438 9569-01	9	471 8210-78	35	471 9829-22	9
438 8923-57	57	438 9636-92	25	471 8210-79	33	471 9829-23	9
438 8923-59	57	438 9636-93	25	471 8210-79	35	472 5792-01	21
438 8923-60	57	438 9636-94	25	471 8215-01	39	472 5792-02	21
438 8923-68	57	438 9659-01	23	471 8215-03	39	472 5792-10	21
438 8923-76	57	438 9678-01	25	471 8240-63	33	472 5793-01	21
438 8923-78	57	438 9678-02	25	471 8240-63	35	472 6761-01	31
438 8923-79	57	438 9678-03	25	471 8240-69	33	472 9708-01	11
438 8923-81	57	438 9678-04	25	471 8240-69	35	472 9900-99	7
438 8923-82	57	438 9678-11	25	471 8243-07	29	472 9904-98	9
438 8923-83	57	438 9678-12	25	471 8243-08	29	472 9913-16	11
438 8923-85	57	438 9678-13	25	471 8243-10	29	472 9913-91	17
438 8923-86	57	438 9678-14	25	471 8279-03	41	472 9919-30	51
438 8923-87	57	438 9705-51	17	471 8279-08	41	472 9919-31	51
438 8923-88	57	438 9799-01	19	471 8323-01	11	472 9919-32	51
438 8923-89	57	438 9799-02	17	471 8328-02	11	472 9919-33	51
438 8923-90	57	438 9799-03	17	471 8342-13	17	472 9920-01	13
438 8923-91	57	438 9799-12	19	471 8342-47	15	472 9920-02	13
438 8923-94	57	471 2265-69	7	471 8344-35	7	472 9929-25	19
438 8923-95	57	471 2265-69	23	471 8344-36	13	487 1702-45	25
438 8923-96	57	471 2436-10	7	471 8346-02	23	725 2366-61	13
438 8923-97	59	471 2442-41	23	471 8346-09	23	725 2465-71	9
438 8923-98	59	471 2937-01	41	471 8404-02	13	725 2538-51	17
438 8924-01	59	471 4672-67	7	471 8458-02	7	731 2312-01	59
438 8924-03	59	471 4673-93	27	471 8502-10	17	732 2116-42	37
438 8924-04	57	471 4673-95	23	471 8502-24	17	732 2118-01	9
438 8924-05	57	471 4673-97	23	471 8502-34	11	732 2118-01	11
438 8924-99	59	471 4835-01	29	471 8527-01	13	734 1153-09	37
438 8930-01	55	471 7565-21	7	471 8613-05	29	735 2153-01	7
438 8930-02	55	471 7705-06	17	471 8624-01	41	735 3147-00	11



Numerical index/Numerical index

Art.No/Réf. article	Page/Page	Art.No/Réf. article	Page/Page	Art.No/Réf. article	Page/Page	Art.No/Réf. article	Page/Page
735 9630-01	11						
736 2816-51	31						
736 2825-51	29						
736 2825-51	31						
736 2831-51	29						
736 2837-51	29						
736 2840-51	29						
736 2846-51	29						
736 2846-51	31						
736 2846-51	39						
740 4206-00	31						
741 5109-25	31						
744 3113-06	41						
762 1182-10	25						
877 5211-08	31						





## **WASCOMAT**

461 Doughty Blvd., Inwood, L.I., N.Y. 11096-0338

Telephone: 516-371-4400

Parts and Service FAX: 516-371-4029

Sales and Administration FAX: 516-371-4204