

TD100

Tumble dryer
Séchoir à tambour

Up to machine No. -00900/0099999

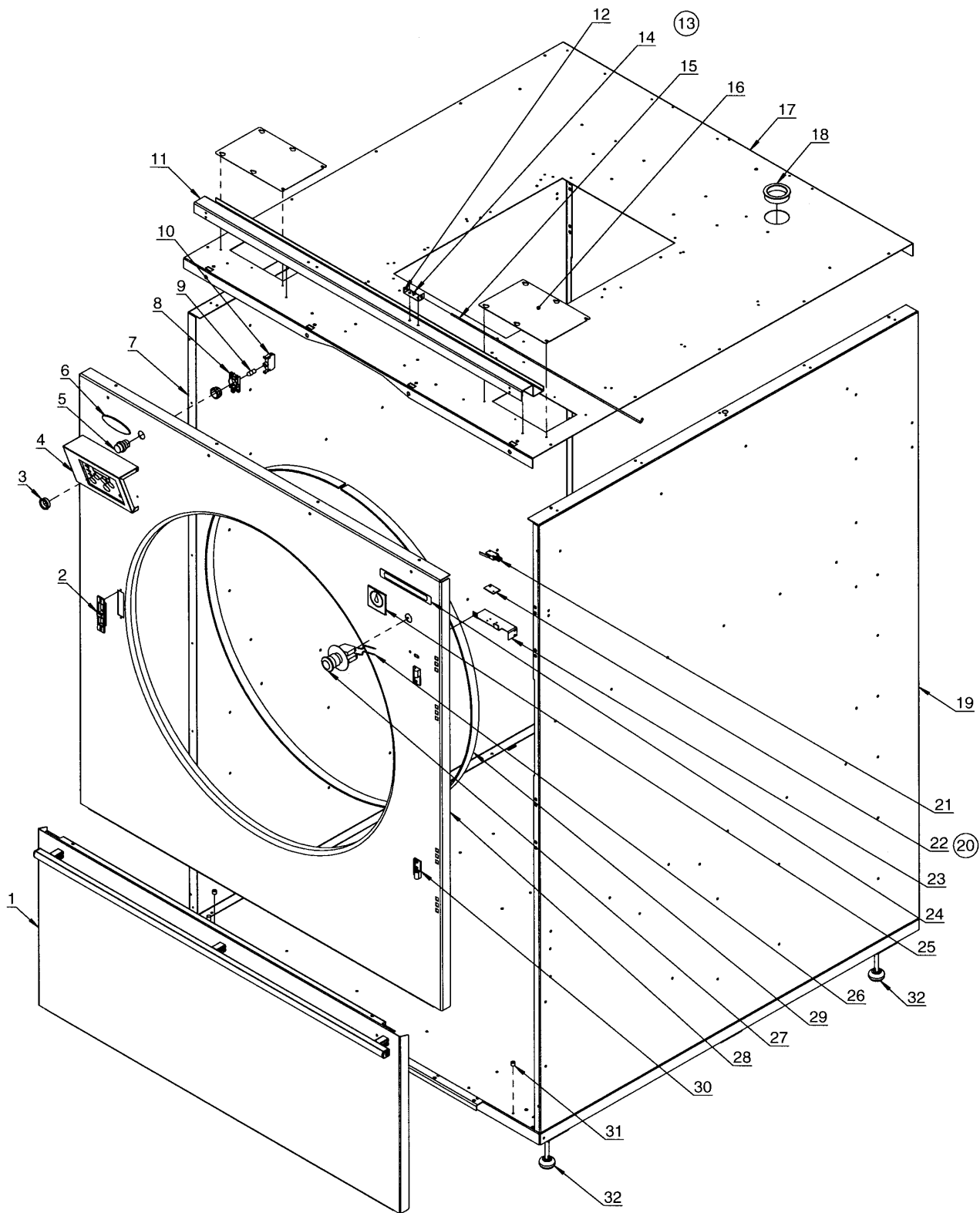
List of issues

TD100

Illustration	Page	Table of contents
200033	9	Cabinet complete
200034	29	Door complete
200035	37	Drum, compl.
200036	43	Motor
200037	51	Filter/ Fan housing
200038	55	Heater unit, el
200039	59	Heater unit, gas
200040	63	Heating unit, steam
200041	69	Connection unit, el
200042	79	Connection unit - gas, steam
200097	17	Controlbox, complete
200098	47	Frequency converter, complete
200123	41	Drum with moisture sensor
200126	33	Filter hatch, joined
200132	13	Cabinet complete - Sliding Door
200133	31	Door complete - Sliding Door
200134	35	Filter hatch, joined - Sliding Door
200135	25	Front panel - tilt/ frequency, complete
200136	21	Front panel - Sliding Door/ frequency, complete
200137	45	Door switch - Sliding Door
200138	65	Box - heating unit Sliding Door
200139	39	Drum, compl.
200141	49	Tilt
200144	61	Gas components - Australia
200165	73	Connection unit - Sliding Door + Tilt, el
200166	81	Connection unit - Sliding Door + Tilt, gas + steam
200340	77	Connection unit, el Selecta II
200341	11	Cabinet - Selecta II
200342	15	Cabinet - Sliding Door Selecta II
200343	19	Controlbox, complete Selecta II
200344	23	Front panel - Sliding Door/ frequency Selecta II
200345	27	Front panel - tilt/ frequency Selecta II
200348	53	Filter/ Fan housing
200349	57	Control unit
200350	83	Connection unit - gas, steam Selecta II

TD100

Table of contents	Table des matières	Page/Page
*Cabinet complete	Armoire complète	9
*Cabinet - Selecta II	Armoire - Selecta II	11
Cabinet complete - Sliding Door	Armoire complète - Sliding Door	13
Cabinet - Sliding Door Selecta II	Armoire - Sliding Door Selecta II	15
Controlbox, complete	Boîtier de contrôle, complet	17
Controlbox, complete Selecta II	Boîtier de contrôle, complet Selecta II	19
Front panel - Sliding Door/ frequency, complete	Panneau de façade - Sliding Door/ fréquence, complet	21
Front panel - Sliding Door/ frequency Selecta II	Panneau de façade - Sliding Door/ fréquence Selecta II	23
Front panel - tilt/ frequency, complete	Panneau de façade - inclinaison/ fréquence, complet	25
Front panel - tilt/ frequency Selecta II	Panneau de façade - inclinaison/ fréquence Selecta II	27
Door complete	Plaque complète	29
Door complete - Sliding Door	Plaque complète - Sliding Door	31
Filter hatch, joined	Plaque filtre, collecté	33
Filter hatch, joined - Sliding Door	Plaque filtre, collecté - Sliding Door	35
Drum, compl.	Tambour, complet	37
Drum, compl.	Tambour, complet	39
Drum with moisture sensor	Tambour avec capteur humidité	41
Motor	Moteur	43
Door switch - Sliding Door	Interrupteur de porte - Sliding Door	45
Frequency converter, complete	Convertisseur de fréquence, complet	47
Tilt	Inclinaison	49
Filter/ Fan housing	Filtre/ Boîtier de ventilateur	51
Filter/ Fan housing	Filtre/ Boîtier de ventilateur	53
*Heater unit, el	Élément chauffant, el	55
Control unit	Unité de contrôle	57
*Heater unit, gas	Élément chauffant, gaz	59
Gas components - Australia	Composants gaz - Australie	61
Heating unit, steam	Unité chauffage, vapeur	63
Box - heating unit Sliding Door	Caisse - unite chauffage Sliding Door	65
Connection unit, el	Connexion, électrique	69
Connection unit - Sliding Door + Tilt, el	Connexion - Sliding Door + Inclinaison, électrique	73
Connection unit, el Selecta II	Connexion, électrique Selecta II	77
Connection unit - gas, steam	Connexion - gaz, vapeur	79
Connection unit - Sliding Door + Tilt, gas + steam	Connexion - Sliding Door + Inclinaison, gaz + vapeur	81
Connection unit - gas, steam Selecta II	Connexion - gaz, vapeur Selecta II	83



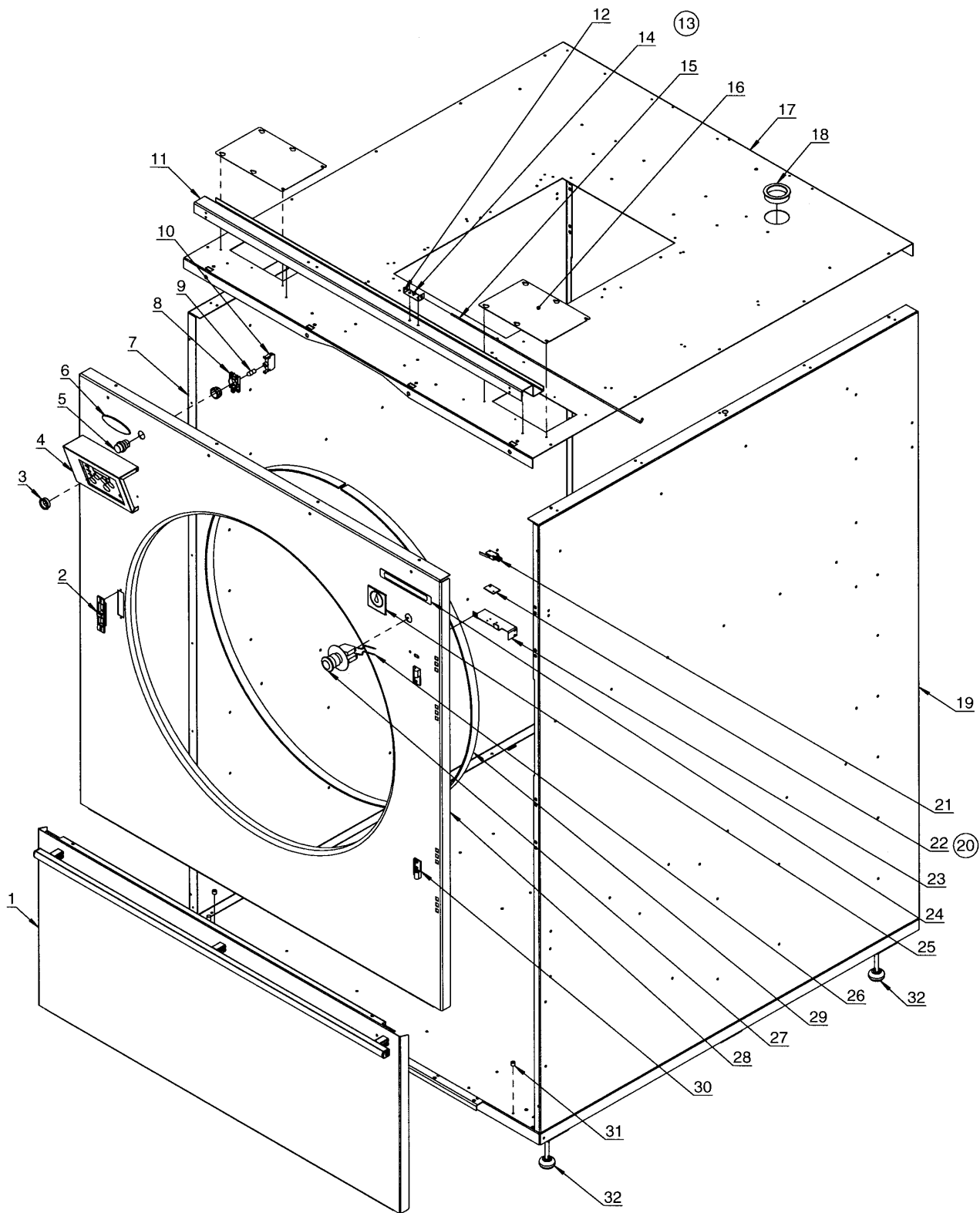
TD100 -20900/0000490

Cabinet complete

Armoire complète

Illustration Issue Month Year
Schéma Issue Month Year
200033/7 10 4 2009

Item Article	Qua Qua	Art.No Réf. article	Description	Description	Info Info	Notes Remarques
1	1		Filter hatch	Volet du filtre		Complete See illustr. 200126
2	1	487 0215-72	Locking unit	Unité verrouillage	3	Complete
3	1	762 1191-10	Cable gland	Passe-fil	3	Ø28
4	1		Controlbox	Boîtier de contrôle		Complete See illustr. 200097
5	1	487 0289-75	Lamp	Lampe	3	Yellow
6	1	432 2620-06	Sign	Signe	3	Electrolux Wascator
	1	432 2620-07	Sign	Signe	3	Electrolux Nyborg
	1	432 2620-08	Sign	Signe	3	Electrolux Dubix
	1	432 2620-09	Sign	Signe	3	Electrolux
7	1	487 2406-05	Side plate	Plaque de côté	3	Left White
	1	487 2410-40	Side plate	Plaque de côté	3	Left Grey
	1	487 2410-55	Side plate	Plaque de côté	3	Left Stainless
8	1	471 9628-75	Bracket	Support	3	
9	1	487 0289-69	Glowing lamp	Lampa à incandescence	3	
10	1	487 0289-76	Lamp socket	Douille de lampe	3	
11	1	487 2400-61	Support	Support	3	
12	1	487 2406-01	Fitting	Garniture	3	
13	1	487 0998-18	Bracket	Support	3	Complete
14	1	487 2404-94	•Disc	•Disque	3	Grifax
15	1	487 2404-93	•Bracket	•Support	3	
16	2	487 2256-07	Cover plate	Plaque recouvrement	3	
17	1	487 2405-65	Top panel	Panneau supérieur	3	
18	1	487 1723-95	Cable gland	Passe-fil	3	Ø50
19	1	487 2409-05	Side plate	Plaque de côté	3	Right White
	1	487 2409-40	Side plate	Plaque de côté	3	Right Grey
	1	487 2409-55	Side plate	Plaque de côté	3	Right Stainless
20	1	487 2359-73	Door switch	Interrupteur de porte	3	Complete
21	1	487 1898-10	•Microswitch	•Microrupteur	1,2	
22	1	471 2068-48	•Insulation	•Isolation	3	
23	1	487 2359-70	•Bracket	•Support	3	
24	1	487 1969-83	Type plade	Numéro série plque	3	T3900
25	1	487 2293-35	Sign	Signe	3	Lagoon
26	1	487 0199-21	Cable set	Ensemble de câbles	3	
27	1	487 1714-79	Emergency stop	Arrêt d'urgence	3	Complete
28	1	487 1714-80	Front complete	Devant complete	3	Right-hinged White
	1	487 1714-81	Front complete	Devant complete	3	Right-hinged Red
	1	487 1714-82	Front complete	Devant complete	3	Right-hinged Green
	1	487 1714-83	Front complete	Devant complete	3	Right-hinged Stainless
	1	487 1714-84	Front complete	Devant complete	3	Right-hinged Beige
	1	487 1714-85	Front complete	Devant complete	3	Right-hinged Ivory
	1	487 1714-86	Front complete	Devant complete	3	Left-hinged White
	1	487 1714-87	Front complete	Devant complete	3	Left-hinged Red
	1	487 1714-88	Front complete	Devant complete	3	Left-hinged Green
	1	487 1714-89	Front complete	Devant complete	3	Left-hinged Stainless
	1	487 1714-90	Front complete	Devant complete	3	Left-hinged Beige
	1	487 1714-91	Front complete	Devant complete	3	Left-hinged Ivory
	1	487 1935-19	Front complete	Devant complete	3	Indicator Right-hinged White
	1	487 1935-20	Front complete	Devant complete	3	Indicator Right-hinged Red
	1	487 1935-21	Front complete	Devant complete	3	Indicator Right-hinged Green
	1	487 1935-22	Front complete	Devant complete	3	Indicator Right-hinged Stainless
	1	487 1935-23	Front complete	Devant complete	3	Indicator Right-hinged Beige
	1	487 1935-24	Front complete	Devant complete	3	Indicator Right-hinged Ivory
	1	487 1935-25	Front complete	Devant complete	3	Indicator Left-hinged White
	1	487 1935-26	Front complete	Devant complete	3	Indicator Left-hinged
	1	487 1935-27	Front complete	Devant complete	3	Indicator Left-hinged Green
	1	487 1935-28	Front complete	Devant complete	3	Indicator Left-hinged Stainless
	1	487 1935-29	Front complete	Devant complete	3	Indicator Left-hinged Beige



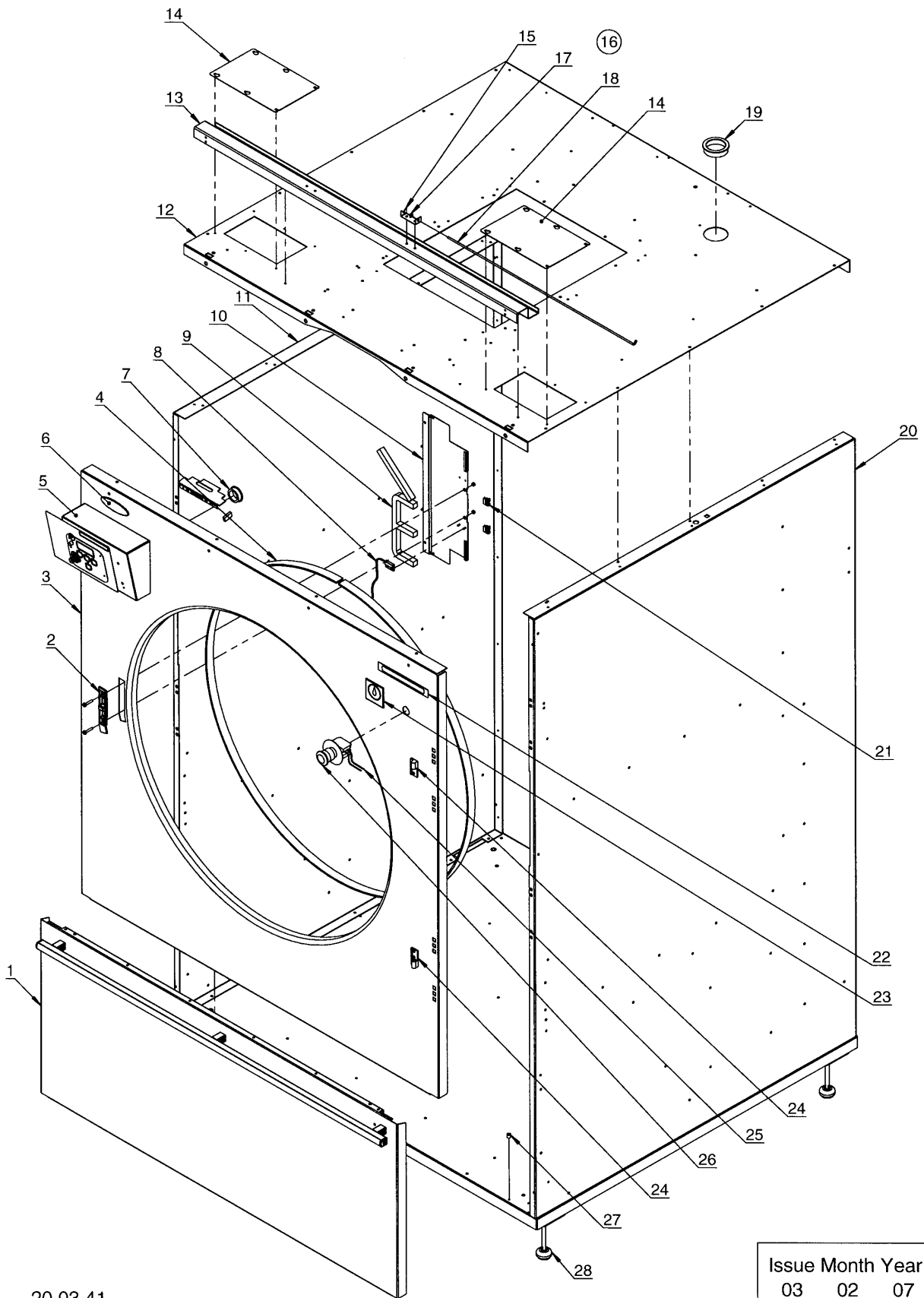
TD100 -20900/0000490

Cabinet complete

Armoire complète

Illustration Issue Month Year
Schéma Issue Month Year
200033/7 10 4 2009

Item Article	Qua Qua	Art.No Réf. article	Description	Description	Info Info	Notes Remarques
29	1	487 1935-30	Front complete	Devant complete	3	Indicator Left-hinged Ivory
30	1	487 1935-18	•Felt sealing	•Joint feutre	1	
31	2	487 3390-02	Hinge	Charnière	3	Complete
31	2	472 7414-01	Spacer sleeve	Manchon entretoise	3	Ø10/Ø6
* 32	4	438 8156-01	Foot	Pied	3	M10X100



20 03 41

Issue	Month	Year
03	02	07

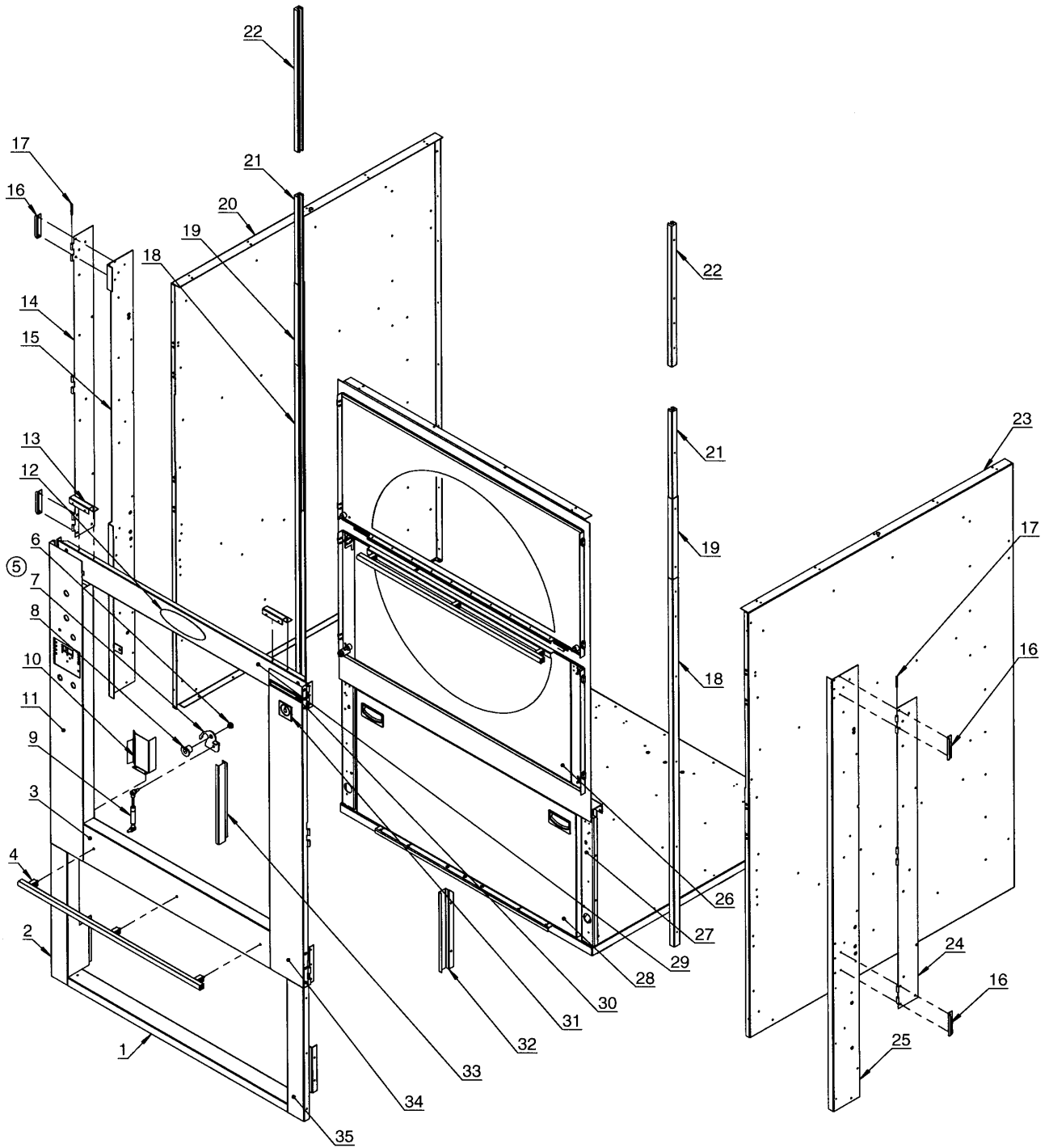
TD100 00900/0000002-

Cabinet - Selecta II

Armoire - Selecta II

Illustration Issue Month Year
Schéma Issue Month Year
200341/3 4 4 2009

Item Article	Qua Qua	Art.No Réf. article	Description	Description	Info Info	Notes Remarques
1	1		Filter hatch	Volet du filtre		Complete See illustr. 200126
2	1	487 2100-26	Locking unit	Unité verrouillage	3	Complete
3	1	487 0285-97	Front complete	Devant complete	3	White Right-hinged
	1	487 0285-98	Front	Devant	3	Red Right-hinged
	1	487 0285-99	Front	Devant	3	Green Right-hinged
	1	487 0286-00	Front complete	Devant complete	3	Stainless Right-hinged
	1	487 0286-01	Front	Devant	3	Almond Right-hinged
	1	487 0286-02	Front	Devant	3	Ivory Right-hinged
	1	487 0286-03	Front complete	Devant complete	3	White Left-hinged
	1	487 0286-04	Front	Devant	3	Red Left-hinged
	1	487 0286-05	Front	Devant	3	Green Left-hinged
	1	487 0286-06	Front complete	Devant complete	3	Stainless Left-hinged
	1	487 0286-07	Front	Devant	3	Almond Left-hinged
	1	487 0286-08	Front	Devant	3	Ivory Left-hinged
4	1	487 1935-18	•Felt sealing	•Joint feutre	1	
5	1		Controlbox	Boîtier de contrôle	3	Complete See illustr. 200343
6	1	432 2620-09	Sign	Signe	3	Electrolux
7	1	762 1218-10	Cable gland	Passe-fil	3	Ø50
8	1	487 0274-49	Magnetic switch	Disjoncteur magnétique	1,2	
9	1	487 2307-44	Seal	Étanchéité	1	15X15mm 0,405m
10	1	487 2567-01	Bracket	Support	3	
11	1	487 2555-05	Side plate	Plaque de côté	3	White Left
	1	487 2555-40	Side plate	Plaque de côté	3	Grey Left
	1	487 2561-55	Side plate	Plaque de côté	3	Stainless Left
12	1	487 2405-65	Top panel	Panneau supérieur	3	
13	1	487 2400-61	Support	Support	3	
14	2	487 2256-07	Cover plate	Plaque recouvrement	3	
15	1	487 2406-01	Fitting	Garniture	3	
16	1	487 0998-18	Bracket	Support	3	Complete
17	1	487 2404-94	•Disc	•Disque	3	Grifax
18	1	487 2404-93	•Bracket	•Support	3	
19	1	487 1723-95	Cable gland	Passe-fil	3	Ø50
20	1	487 2554-05	Side plate	Plaque de côté	3	White Right
	1	487 2554-40	Side plate	Plaque de côté	3	Grey Right
	1	487 2562-55	Side plate	Plaque de côté	3	Stainless Right
21	2	471 7864-05	Captive nut	Écrou rapide	3	M5
22	1	487 2228-26	Type plade	Numéro série plque	3	T3900
23	1	487 2293-35	Sign	Signe	3	Lagoon
24	1	487 3390-02	Hinge	Charnière	3	Complete
25	1	487 2466-12	Cable set	Ensemble de câbles	3	
26	1	487 1714-79	Emergency stop	Arrêt d'urgence	3	Complete
27	2	472 7414-01	Spacer sleeve	Manchon entretoise	3	Ø10/Ø6
* 28	4	438 8156-01	Foot	Pied	3	M10X100



20 01 32

Issue	Month	Year
03	11	06

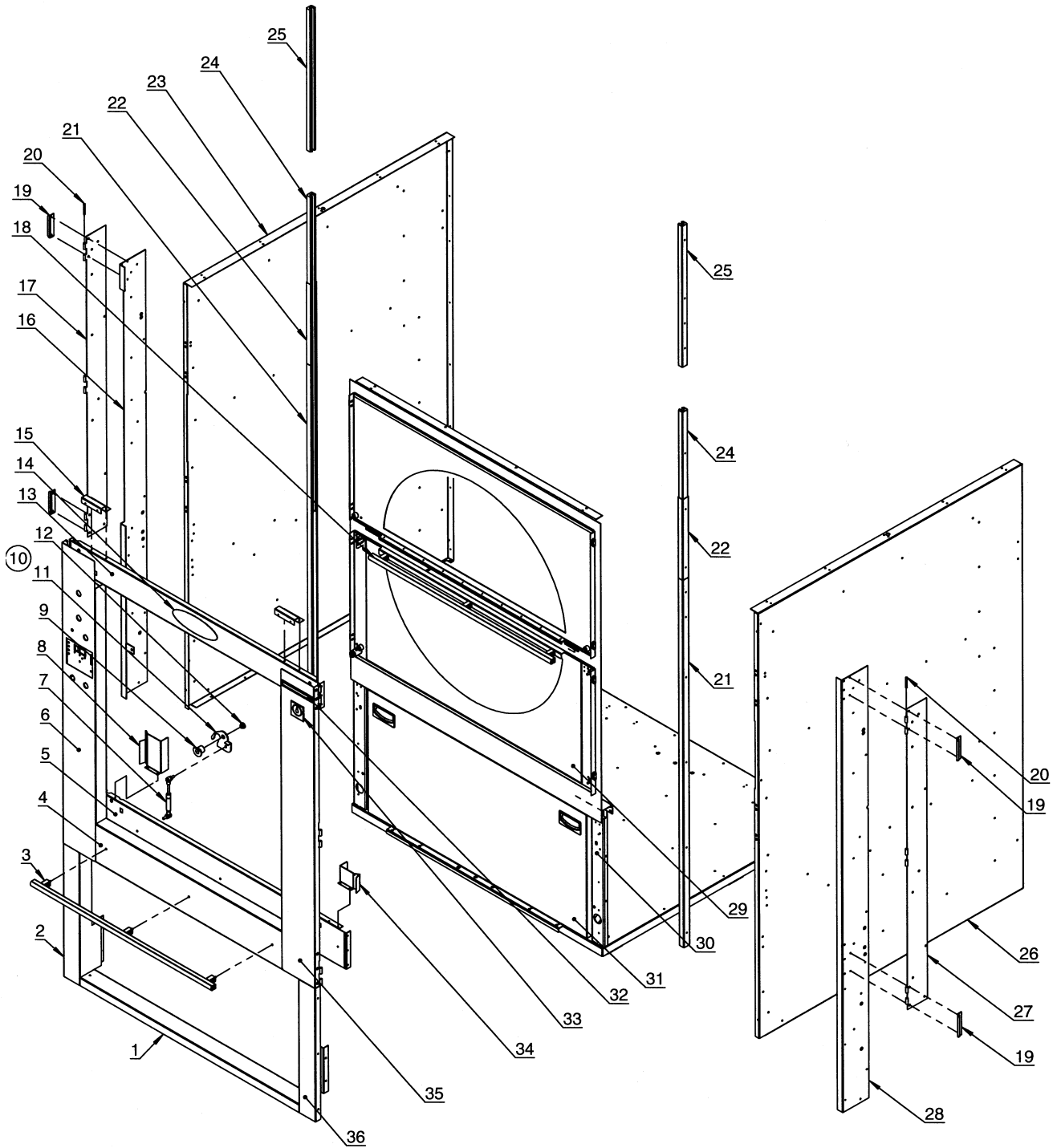
TD100 -20900/0000490

Cabinet complete - Sliding Door

Armoire complète - Sliding Door

Illustration Issue Month Year
Schéma Issue Month Year
200132/2 10 11 2006

Item Article	Qua Qua	Art.No Réf. article	Description	Description	Info Info	Notes Remarques
1	1	487 2426-18	Cross beam	Poutre transversale	3	Bottom
2	1	487 2426-09	Panel	Panneau	3	Left Bottom
3	1	487 2426-89	Beam	Poutre	3	Bottom
4	1	487 2426-82	Handle	Manivelle	3	Complete
5	1	487 2436-10	Lock washer	Rondelle d'arrêt	3	Complete
6	1	487 2426-91	•Bushing	•Douille	3	
7	1	487 2426-24	•Locking plate	•Gâche de serrure	3	
8	1	487 2426-48	Lock washer	Rondelle d'arrêt	3	
9	1	487 2426-99	Gas cylinder	Vérin à gaz	3	
10	1	487 1935-73	Screen	Écran	3	Complete
11	1		Front panel	Panneau de façade		See illustr. 200136, 200135
12	1	487 2228-35	Sign	Signe	3	Electrolux
13	2	487 2426-54	Fitting	Garniture	3	
14	1	487 2426-16	Hinge plate	Paumelle	3	Left Left-hinged
15	1	487 2426-51	Side profile	Profilé latéral	3	Left Left-hinged
	1	487 2426-56	Side profile	Profilé latéral	3	Right Right-hinged
16	4	487 2427-57	Stop plate	Gâche	3	
17	6	487 2426-98	Screw	Vis	3	M6X100 Stainless
18	2	487 2426-07	Rail	Rail	3	Galvanised Lower
19	2	487 2426-06	Rail	Rail	3	Galvanised Upper
20	1	487 2441-05	Side plate	Plaque de côté	3	White Left
	1	487 2441-40	Side plate	Plaque de côté	3	Grey Left
	1	487 2441-55	Side plate	Plaque de côté	3	Stainless Left
21	2	487 2426-63	Rail	Rail	3	Nylon Lower
22	2	487 2426-62	Rail	Rail	3	Nylon Upper
23	1	487 2440-05	Side plate	Plaque de côté	3	White Right
	1	487 2440-40	Side plate	Plaque de côté	3	Grey Right
	1	487 2440-55	Side plate	Plaque de côté	3	Stainless Right
24	1	487 2426-17	Hinge plate	Paumelle	3	Right
25	1	487 2426-52	Side profile	Profilé latéral	3	Right Left-hinged
	1	487 2426-53	Side profile	Profilé latéral	3	Left Right-hinged
26	1		Door	Plaque		Complete See illustr. 200133
27	2	487 2400-26	Post	Montant	3	
28	1		Filter hatch	Volet du filtre		Complete See illustr. 200134
29	1	487 2426-88	Beam	Poutre	3	Complete
30	1	487 2228-26	Type plade	Numéro série plque	3	T3900
	1	487 2228-23	Type plade	Numéro série plque	3	Aqua - Clean
31	1	487 2293-35	Sign	Signe	3	Lagoon
32	1	487 2426-55	Panel	Panneau	3	Right Bottom
33	1	487 2426-02	Panel	Panneau	3	Left Bottom
34	1	487 2447-80	Front panel	Panneau de façade	3	Right Left-hinged
	1	487 2447-81	Front panel	Panneau de façade	3	Left Right-hinged
35	1	487 2426-08	Panel	Panneau	3	Right Bottom



20 03 42

Issue	Month	Year
03	02	07

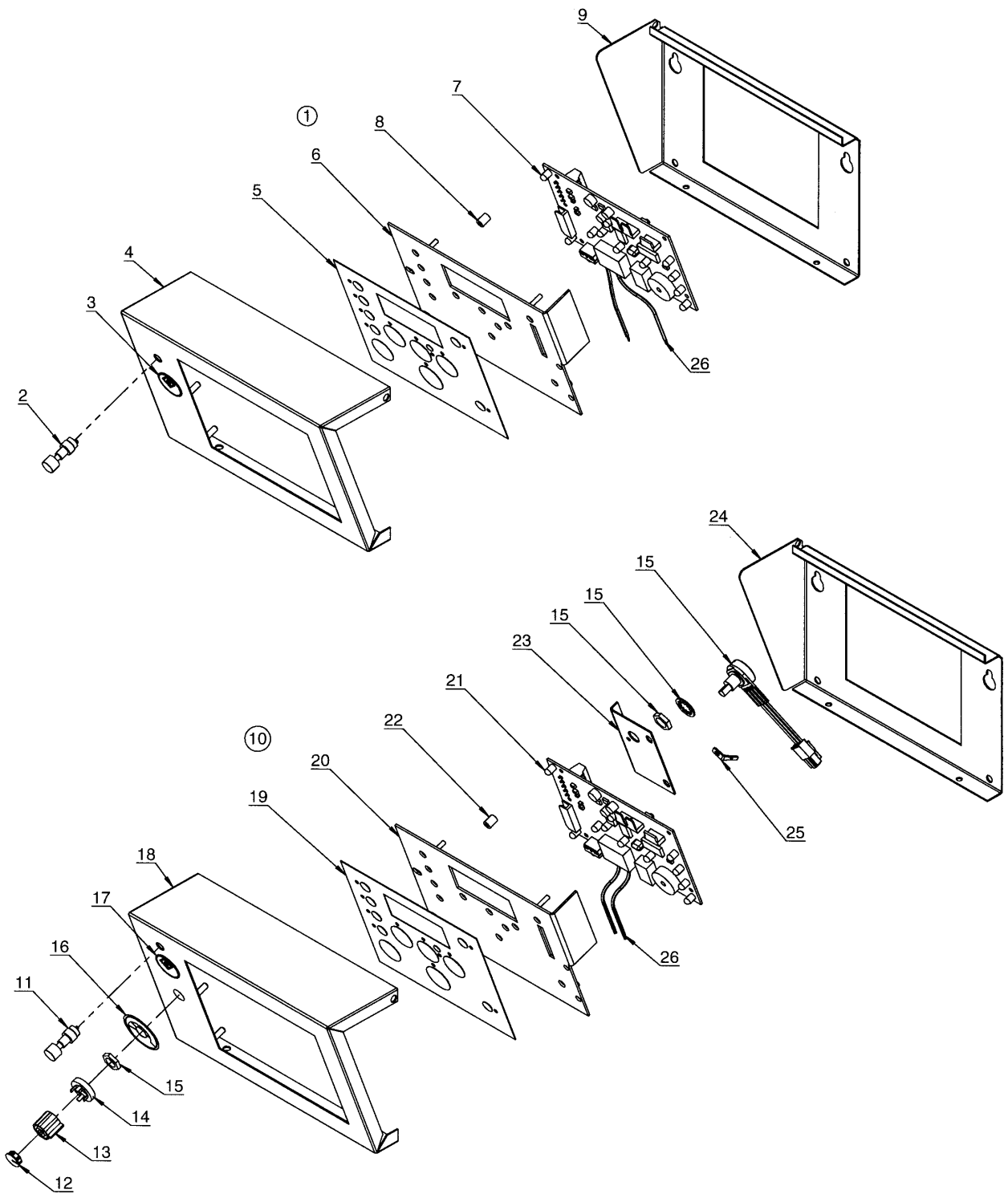
TD100 00900/0000002-

Cabinet - Sliding Door Selecta II

Armoire - Sliding Door Selecta II

Illustration Issue Month Year
Schéma Issue Month Year
200342/3 3 1 2007

Item Article	Qua Qua	Art.No Réf. article	Description	Description	Info Info	Notes Remarques
1	1	487 2426-18	Cross beam	Poutre transversale	3	Lower
2	1	487 2426-09	Panel	Panneau	3	Left Lower
3	1	487 2426-82	Handle	Manivelle	3	Complete
4	1	487 2469-01	Beam	Poutre	3	Bottom
5	1	487 2512-01	Beam	Poutre	3	
6	1	487 2517-01	Front panel	Panneau de façade	3	Tilt + frequency Left-hinged See illustr. 200345
	1	487 2518-01	Front panel	Panneau de façade	3	Tilt + frequency Right-hinged See illustr. 200345
7	1	487 2426-99	Gas cylinder	Vérin à gaz	3	
8	1	487 2514-01	Cover plate	Plaque recouvrement	3	Left
9	1	487 2426-48	Lock washer	Rondelle d'arrêt	3	
10	1	487 2436-10	Lock washer	Rondelle d'arrêt	3	Complete
11	1	487 2426-24	•Locking plate	•Gâche de serrure	3	
12	1	487 2426-91	•Bushing	•Douille	3	
13	1	487 2426-88	Beam	Poutre	3	Complete
14	1	487 2228-35	Sign	Signe	3	Electrolux
15	2	487 2426-54	Fitting	Garniture	3	
16	1	487 2521-01	Side profile	Profilé latéral	3	Left Left-hinged
	1	487 2520-01	Side profile	Profilé latéral	3	Right Right-hinged
17	1	487 2426-16	Hinge plate	Paumelle	3	Left
18	1	487 2426-82	Handle	Manivelle	3	Complete
19	4	487 2427-57	Stop plate	Gâche	3	
20	6	487 2426-98	Screw	Vis	3	M6X100 Stainless
21	2	487 2426-07	Rail	Rail	3	Galvanised Lower
22	2	487 2426-06	Rail	Rail	3	Galvanised Upper
23	1	487 2555-05	Side plate	Plaque de côté	3	White Left
	1	487 2555-40	Side plate	Plaque de côté	3	Grey Left
	1	487 2580-55	Side plate	Plaque de côté	3	Stainless Left
24	2	487 2426-63	Rail	Rail	3	Nylon Lower
25	2	487 2426-62	Rail	Rail	3	Nylon Upper
26	1	487 2554-05	Side plate	Plaque de côté	3	White Right
	1	487 2554-40	Side plate	Plaque de côté	3	Grey Right
	1	487 2579-55	Side plate	Plaque de côté	3	Stainless Right
27	1	487 2426-17	Hinge plate	Paumelle	3	Right
28	1	487 2426-52	Side profile	Profilé latéral	3	Right Left-hinged
	1	487 2426-53	Side profile	Profilé latéral	3	Left Right-hinged
29	1		Door	Plaque		Complete See illustr. 200133
30	2		Post	Montant		See illustr. 200133
31	1		Filter hatch	Volet du filtre		Complete See illustr. 200134
32	1	487 2228-26	Type plade	Numéro série plque	3	T3900
	1	487 2228-23	Type plade	Numéro série plque	3	Aqua - Clean
33	1	487 2293-35	Sign	Signe	3	Lagoon
34	1	487 2538-01	Cover plate	Plaque recouvrement	3	Right
35	1	487 2447-80	Front panel	Panneau de façade	3	Right Left-hinged
	1	487 2447-81	Front panel	Panneau de façade	3	Left Right-hinged
36	1	487 2426-08	Panel	Panneau	3	Right Bottom



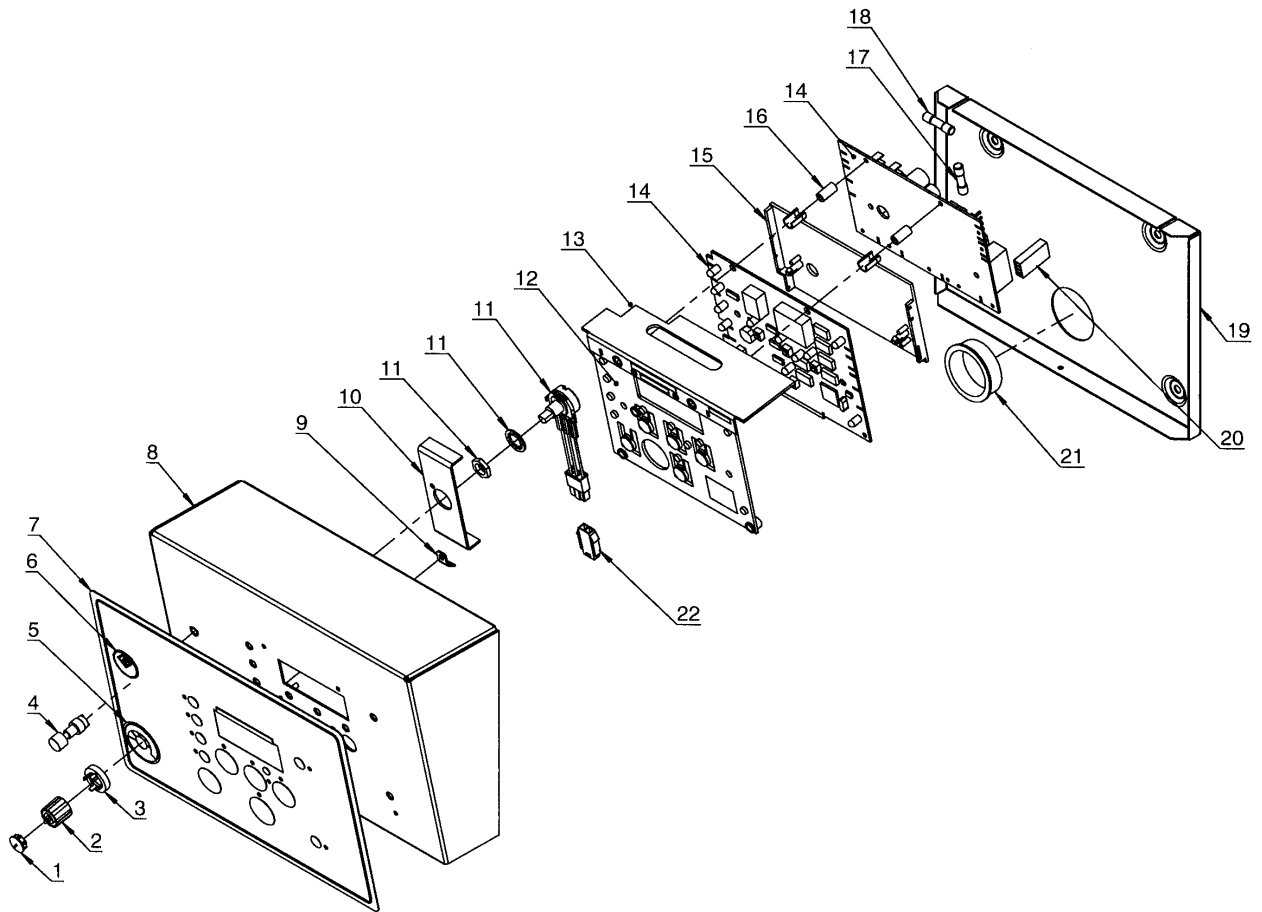
TD100 -20900/0000490

Controlbox, complete

Boîtier de contrôle, complet

Illustration Issue Month Year
Schéma Issue Month Year
200097/2 3 9 2006

Item Article	Qua Qua	Art.No Réf. article	Description	Description	Info Info	Notes Remarques
1	1	487 1714-78	Controlbox	Boîtier de contrôle	3	Complete Electric + gas + steam
2	1	487 1934-20	•Cable set	•Ensemble de câbles	3	Gas
3	1	487 1969-88	•Sign	•Signe	3	Reset Gas
4	1	487 2411-80	•Outer panel	•Panneau extérieur	3	Gas
5	1	487 1924-03	•Operation sign	•Etiquette	3	OPL
6	1	487 2405-82	•Assembly plate	•Plaque de montage	3	
7	1	487 1714-70	•Printed circuit board	•Carte de circuit imprimé	1,2	Complete
8	4	487 1535-21	••Spacer element	••Pièce écartement	3	
9	1	487 2405-81	•Bracket	•Console	3	
10	1	487 1935-15	Controlbox	Boîtier de contrôle	3	Complete Frequency
11	1	487 1934-20	•Cable set	•Ensemble de câbles	3	Gas Frequency
12	1	487 0289-66	•Cover button	•Cache-bouton	3	Frequency
13	1	487 0289-65	•Turning device	•Dispositif	3	Frequency
14	1	487 0289-64	•Socket	•Socle	3	Frequency
15	1	487 0199-51	•Potentiometer	•Potentiomètre	3	Frequency
16	1	487 2226-87	•Sign	•Signe	3	Frequency
17	1	487 1969-88	•Sign	•Signe	3	Reset Gas Frequency
18	1	487 2411-81	•Outer panel	•Panneau extérieur	3	Frequency
19	1	487 1924-03	•Operation sign	•Etiquette	3	OPL Frequency
20	1	487 2405-82	•Assembly plate	•Plaque de montage	3	Frequency
21	1	487 1714-70	•Printed circuit board	•Carte de circuit imprimé	1,2	Complete Frequency
22	4	487 1535-21	••Spacer element	••Pièce écartement	3	Frequency
23	1	487 2406-09	•Assembly plate	•Plaque de montage	3	Frequency
24	1	487 2405-81	•Bracket	•Console	3	Frequency
25	1	487 7057-40	•Terminal	•Terminal	3	
26	1	487 0199-20	•Cable set	•Ensemble de câbles	3	



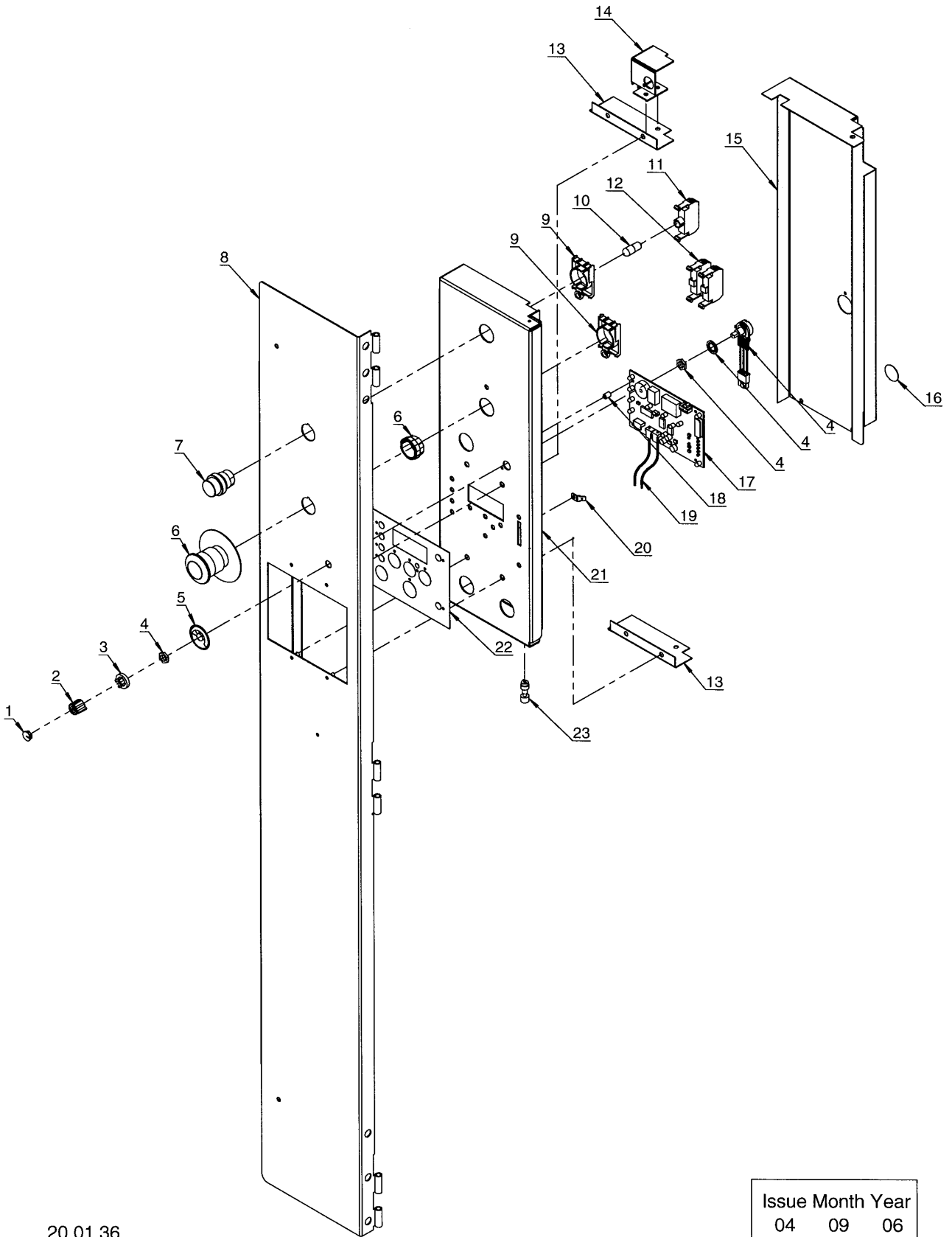
TD100 00900/0000002-

Controlbox, complete Selecta II

Boîtier de contrôle, complet Selecta II

Illustration	Issue	Month	Year
Schéma	Issue	Month	Year
200343/1	2	5	2007

Item Article	Qua Qua	Art.No Réf. article	Description	Description	Info Info	Notes Remarques
1	1	487 0289-66	Cover button	Cache-bouton	3	
2	1	487 0289-65	Turning device	Dispositif	3	
3	1	487 0289-64	Socket	Socle	3	
4	1	487 0510-30	Cable set	Ensemble de câbles	3	Gas
5	1	487 2226-87	Sign	Signe	3	
6	1	487 1969-88	Sign	Signe	3	Reset Gas
7	1	487 2293-42	Operation sign	Etiquette	3	
8	1	487 2565-01	Bracket	Console	3	
9	1	487 7057-40	Terminal	Terminal	3	
10	1	487 2541-01	Fitting	Garniture	3	
11	1	487 2466-54	Cable set	Ensemble de câbles	3	Frequency
12	1	487 2307-33	Spacer plate	Plaque d'écartement	3	Plastic
13	1	487 2574-01	Top panel	Panneau supérieur	3	
14	1	487 1600-16	Printed circuit board	Carte de circuit imprimé	1,2	Only for the swedish market
	1	487 2100-81	Printed circuit board	Carte de circuit imprimé	1,2	
15	1	487 2307-53	•Spacer	•Entretoise	1,2	Plastic
16	2	487 0281-16	•Spacer sleeve	•Manchon entretoise	1,2	
17	1	471 8750-17	Precision fuse	Fusible de précision	1,2	630mAT
18	1	471 8750-18	Precision fuse	Fusible de précision	1,2	1AT
19	1	487 2566-01	Rear panel	Plaque arrière	3	
20	1	487 2466-05	Cable set	Ensemble de câbles	3	Left
	1	487 2466-06	Cable set	Ensemble de câbles	3	Right
21	1	762 1212-10	Cable gland	Passe-fil	3	Ø38
22	1	487 2466-08	Cable set	Ensemble de câbles	3	Frequency



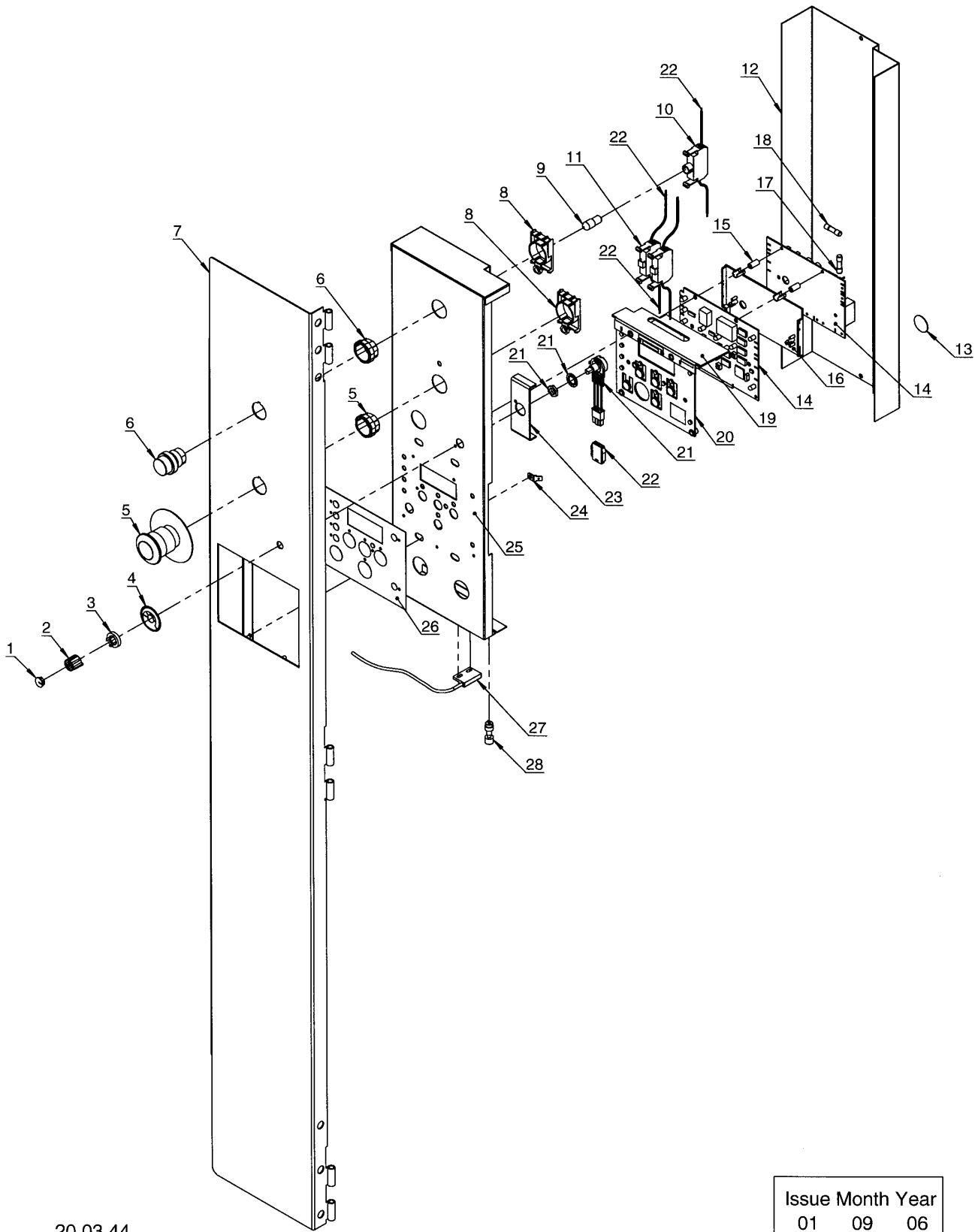
TD100 -20900/0000490

Front panel - Sliding Door/ frequency, complete

Panneau de façade - Sliding Door/ fréquence, complet

Illustration Issue Month Year
Schéma Issue Month Year
200136/4 7 9 2006

Item Article	Qua Qua	Art.No Réf. article	Description	Description	Info Info	Notes Remarques
1	1	487 0289-66	Cover button	Cache-bouton	3	
2	1	487 0289-65	Turning device	Dispositif	3	
3	1	487 0289-64	Socket	Socle	3	
4	1	487 0199-53	Potentiometer	Potentiomètre	3	Left-hinged
	1	487 0199-54	Potentiometer	Potentiomètre	3	Right-hinged
5	1	487 2226-87	Sign	Signe	3	Frequency
6	1	471 9628-32	Push-button	Bouton poussoir	3	Emergency stop
7	1	487 0289-75	Lamp	Lampe	3	Yellow
8	1	487 2426-70	Front panel	Panneau de façade	3	Left-hinged Frequency
	1	487 2426-71	Front panel	Panneau de façade	3	Right-hinged Frequency
	1	487 2426-74	Front panel	Panneau de façade	3	Left-hinged Standard
	1	487 2426-75	Front panel	Panneau de façade	3	Right-hinged Standard
9	1	471 9628-75	Bracket	Support	3	Emergency stop
10	1	487 0289-69	Glowing lamp	Lampa à incandescence	3	
11	1	487 0289-76	Lamp socket	Douille de lampe	3	
12	2	471 9628-70	Contact block	Bloc de connexion	3	Red Emergency stop
13	2	487 2405-38	Separating plate	Tôle de séparation	3	
14	1	487 2436-15	Fitting	Garniture	3	Potentiometer
15	1	487 2427-24	Cover	Couvercle	3	Electric Right-hinged
	1	487 2427-44	Cover	Couvercle	3	Electric Left-hinged
16	1	487 1969-88	Sign	Signe	3	Reset Gas
17	1	487 1714-70	Printed circuit board	Carte de circuit imprimé	1,2	Complete
18	4	487 1535-21	•Spacer element	•Pièce écartement	1,2	
19	1	487 0199-18	Cable set	Ensemble de câbles	3	
20	1	487 7057-40	Terminal	Terminal	3	
21	1	487 2426-04	Hinge plate	Paumelle	3	Right-hinged
	1	487 2446-76	Hinge plate	Paumelle	3	Left-hinged
22	1	487 1924-03	Operation sign	Etiquette	3	OPL
23	1	487 1934-20	Cable set	Ensemble de câbles	3	Gas Reset



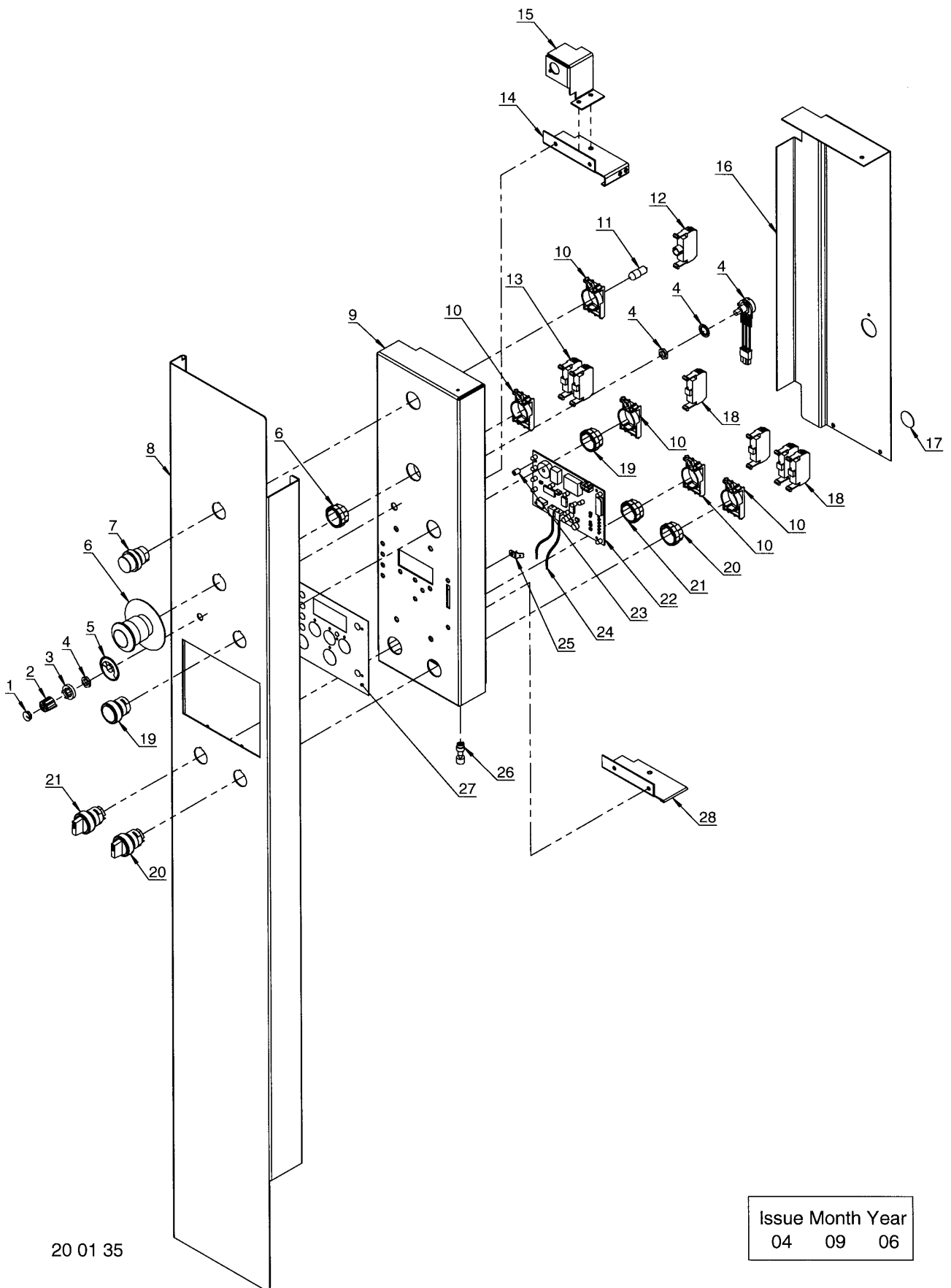
TD100 00900/0000002-

Front panel - Sliding Door/ frequency Selecta II

Illustration Issue Month Year
Schéma Issue Month Year
200344/1 2 5 2007

Panneau de façade - Sliding Door/ fréquence Selecta II

Item Article	Qua Qua	Art.No Réf. article	Description	Description	Info Info	Notes Remarques
1	1	487 0289-66	Cover button	Cache-bouton	3	
2	1	487 0289-65	Turning device	Dispositif	3	
3	1	487 0289-64	Socket	Socle	3	
4	1	487 2226-87	Sign	Signe	3	Frequency
5	1	471 9628-32	Push-button	Bouton poussoir	3	Emergency stop
6	1	487 0289-75	Lamp	Lampe	3	Yellow
7	1	487 2542-01	Front panel	Panneau de façade	3	Frequency Left-hinged
	1	487 2543-01	Front panel	Panneau de façade	3	Frequency Right-hinged
	1	487 2546-01	Front panel	Panneau de façade	3	Standard Left-hinged
	1	487 2570-01	Front panel	Panneau de façade	3	Standard Right-hinged
8	2	471 9628-75	Bracket	Support	3	Emergency stop
9	1	487 0289-69	Glowing lamp	Lampa à incandescence	3	
10	1	487 0289-76	Lamp socket	Douille de lampe	3	
11	2	471 9628-70	Contact block	Bloc de connexion	3	Red Emergency stop
12	1	487 2515-01	Cover	Couvercle	3	
13	1	487 1969-88	Sign	Signe	3	Reset Gas
14	1	487 1600-16	Printed circuit board	Carte de circuit imprimé	1,2	Only for the swedish market
	1	487 2100-81	Printed circuit board	Carte de circuit imprimé	1,2	
15	2	487 0281-16	•Spacer sleeve	•Manchon entretoise	1,2	
16	1	487 2307-53	•Spacer	•Entretoise	1,2	Plastic
17	1	471 8750-17	Precision fuse	Fusible de précision	1,2	630mAT
18	1	471 8750-18	Precision fuse	Fusible de précision	1,2	1AT
19	1	487 2574-01	Top panel	Panneau supérieur	3	
20	1	487 2307-33	Spacer plate	Plaque d'écartement	3	Plastic
21	1	487 2466-54	Cable set	Ensemble de câbles	3	
22	1	487 2466-00	Cable set	Ensemble de câbles	3	Left-hinged
	1	487 2466-01	Cable set	Ensemble de câbles	3	Right-hinged
23	1	487 2541-01	Fitting	Garniture	3	
24	1	487 7057-40	Terminal	Terminal	3	
25	1	487 2510-01	Hinge plate	Paumelle	3	Right-hinged
	1	487 2511-01	Hinge plate	Paumelle	3	Left-hinged
26	1	487 1924-03	Operation sign	Etiquette	3	OPL
27	1	487 0274-49	Magnetic switch	Disjoncteur magnétique	1,2	
28	1	487 0510-30	Cable set	Ensemble de câbles	3	Gas



20 01 35

Issue	Month	Year
04	09	06

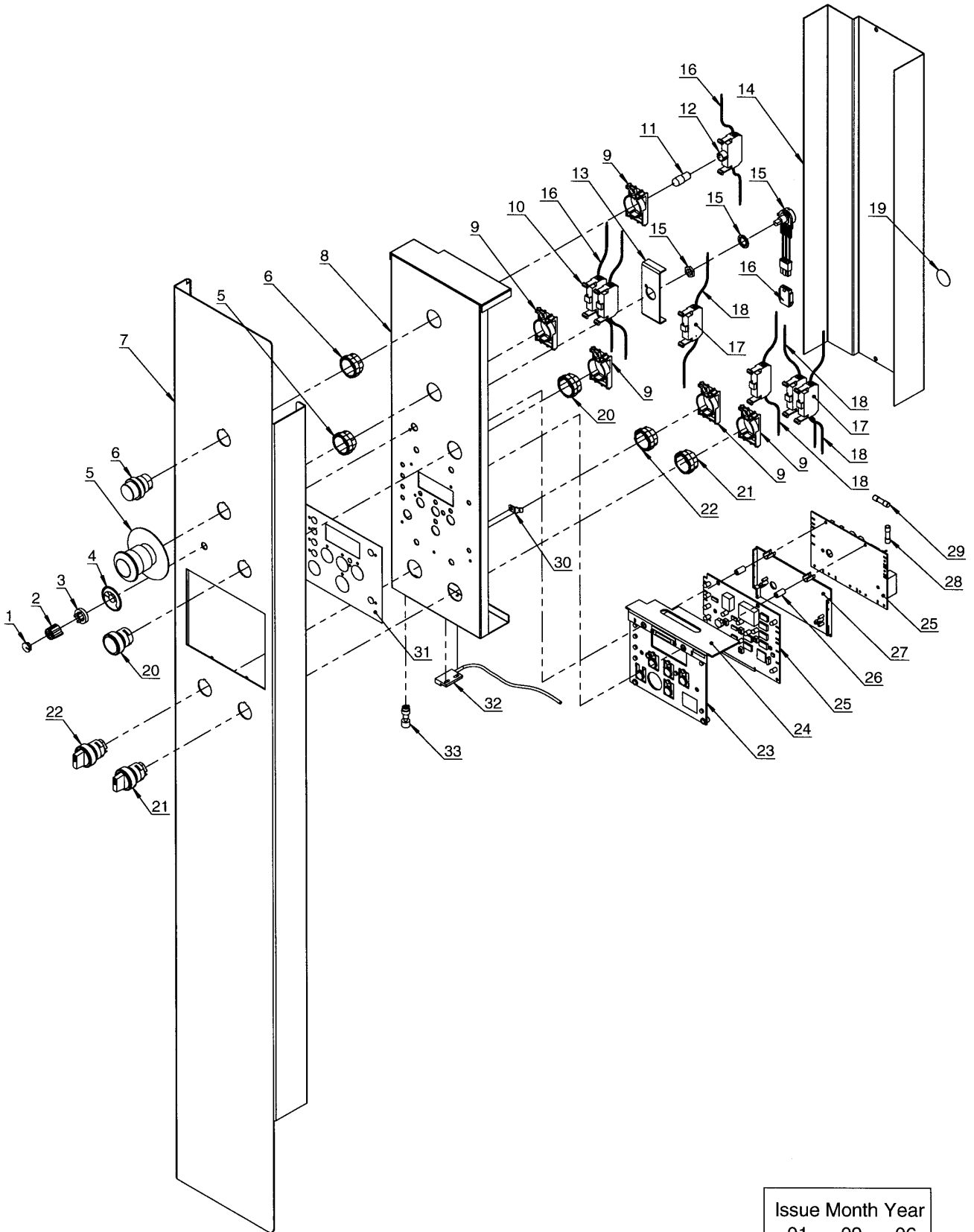
TD100 -20900/0000490

Front panel - tilt/ frequency, complete

Illustration Issue Month Year
Schéma Issue Month Year
200135/4 4 9 2006

Panneau de façade - inclinaison/ fréquence, complet

Item Article	Qua Qua	Art.No Réf. article	Description	Description	Info Info	Notes Remarques
1	1	487 0289-66	Cover button	Cache-bouton	3	
2	1	487 0289-65	Turning device	Dispositif	3	
3	1	487 0289-64	Socket	Socle	3	
4	1	487 0199-53	Potentiometer	Potentiomètre	3	Left-hinged
	1	487 0199-54	Potentiometer	Potentiomètre	3	Right-hinged
5	1	487 2226-87	Sign	Signe	3	Frequency
6	1	471 9628-32	Push-button	Bouton poussoir	3	Emergency stop
7	1	487 0289-75	Lamp	Lampe	3	Yellow
8	1	487 2426-68	Front panel	Panneau de façade	3	Left-hinged Tilt + frequency
	1	487 2426-69	Front panel	Panneau de façade	3	Right-hinged Tilt + frequency
	1	487 2426-72	Front panel	Panneau de façade	3	Left-hinged Tilt
	1	487 2426-73	Front panel	Panneau de façade	3	Right-hinged Tilt
9	1	487 2426-04	Hinge plate	Paumelle	3	Right-hinged
	1	487 2446-76	Hinge plate	Paumelle	3	Left-hinged
10	5	471 9628-75	Bracket	Support	3	
11	1	487 0289-69	Glowing lamp	Lampa à incandescence	3	
12	1	487 0289-76	Lamp socket	Douille de lampe	3	
13	2	471 9628-70	Contact block	Bloc de connexion	3	Red Red
14	1	487 2426-96	Separating plate	Tôle de séparation	3	
15	1	487 2436-16	Fitting	Garniture	3	Potentiometer
16	1	487 2427-24	Cover	Couvercle	3	Electric Right-hinged
	1	487 2427-44	Cover	Couvercle	3	Electric Left-hinged
17	1	487 1969-88	Sign	Signe	3	Reset Gas
18	4	471 9628-71	Contact block	Bloc de connexion	3	Green
19	1	487 0289-74	Push-button	Bouton poussoir	3	
20	1	487 0289-73	Turning device	Dispositif	3	
21	1	487 0289-72	Turning device	Dispositif	3	Tilt
22	1	487 1714-70	Printed circuit board	Carte de circuit imprimé	1,2	Complete
23	4	487 1535-21	•Spacer element	•Pièce écartement	1,2	
24	1	487 0199-18	Cable set	Ensemble de câbles	3	
25	1	487 7057-40	Terminal	Terminal	3	
26	1	487 1934-20	Cable set	Ensemble de câbles	3	Gas Reset
27	1	487 1924-03	Operation sign	Etiquette	3	OPL
28	1	487 2436-04	Separating plate	Tôle de séparation	3	



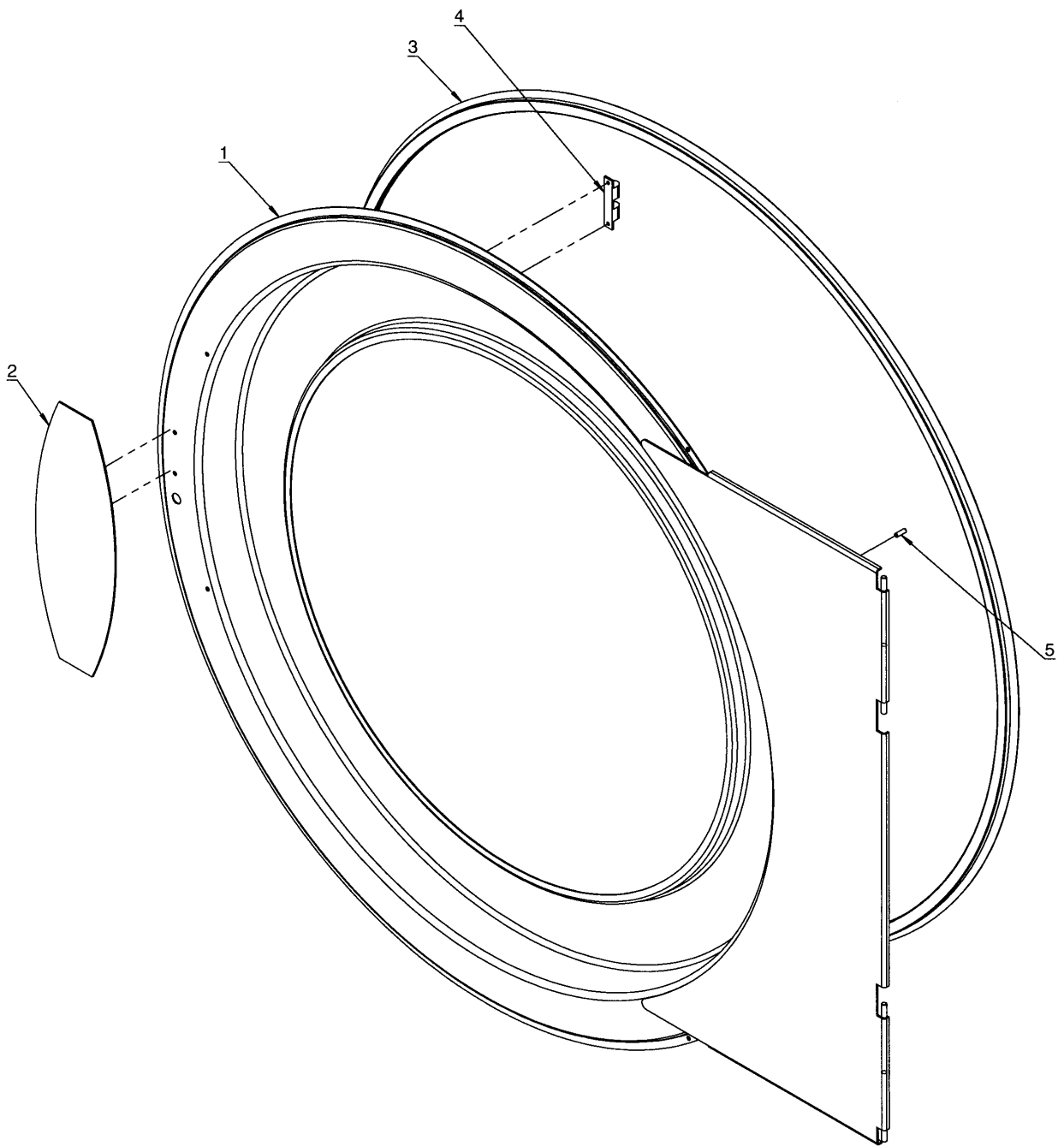
TD100 00900/0000002-

Front panel - tilt/ frequency Selecta II

Illustration Issue Month Year
Schéma Issue Month Year
200345/1 2 5 2007

Panneau de façade - inclinaison/ fréquence Selecta II

Item Article	Qua Qua	Art.No Réf. article	Description	Description	Info Info	Notes Remarques
1	1	487 0289-66	Cover button	Cache-bouton	3	
2	1	487 0289-65	Turning device	Dispositif	3	
3	1	487 0289-64	Socket	Socle	3	
4	1	487 2226-87	Sign	Signe	3	Frequency
5	1	471 9628-32	Push-button	Bouton poussoir	3	Emergency stop
6	1	487 0289-75	Lamp	Lampe	3	Yellow
7	1	487 2517-01	Front panel	Panneau de façade	3	Tilt + frequency Left-hinged
	1	487 2518-01	Front panel	Panneau de façade	3	Tilt + frequency Right-hinged
8	1	487 2510-01	Hinge plate	Paumelle	3	Right-hinged
	1	487 2511-01	Hinge plate	Paumelle	3	Left-hinged
9	5	471 9628-75	Bracket	Support	3	
10	2	471 9628-70	Contact block	Bloc de connexion	3	Red
11	1	487 0289-69	Glowing lamp	Lampa à incandescence	3	
12	1	487 0289-76	Lamp socket	Douille de lampe	3	
13	1	487 2541-01	Fitting	Garniture	3	
14	1	487 2515-01	Cover	Couvercle	3	
15	1	487 2466-54	Cable set	Ensemble de câbles	3	
16	1	487 2466-00	Cable set	Ensemble de câbles	3	Left-hinged
	1	487 2466-01	Cable set	Ensemble de câbles	3	Right-hinged
17	4	471 9628-71	Contact block	Bloc de connexion	3	Green
18	1	487 2466-10	Cable set	Ensemble de câbles	3	Tilt
19	1	487 1969-88	Sign	Signe	3	Reset Gas
20	1	487 0289-74	Push-button	Bouton poussoir	3	
21	1	487 0289-73	Turning device	Dispositif	3	
22	1	487 0289-72	Turning device	Dispositif	3	Tilt
23	1	487 2307-33	Spacer plate	Plaque d'écartement	3	Plastic
24	1	487 2574-01	Top panel	Panneau supérieur	3	
25	1	487 1600-16	Printed circuit board	Carte de circuit imprimé	1,2	Only for the swedish market
	1	487 2100-81	Printed circuit board	Carte de circuit imprimé	1,2	
26	2	487 0281-16	•Spacer sleeve	•Manchon entretoise	1,2	
27	1	487 2307-53	•Spacer	•Entretoise	1,2	Plastic
28	1	471 8750-17	Precision fuse	Fusible de précision	1,2	630mAT
29	1	471 8750-18	Precision fuse	Fusible de précision	1,2	1AT
30	1	487 7057-40	Terminal	Terminal	3	
31	1	487 1924-03	Operation sign	Etiquette	3	OPL
32	1	487 0274-49	Magnetic switch	Disjoncteur magnétique	1,2	
33	1	487 0510-30	Cable set	Ensemble de câbles	3	Gas



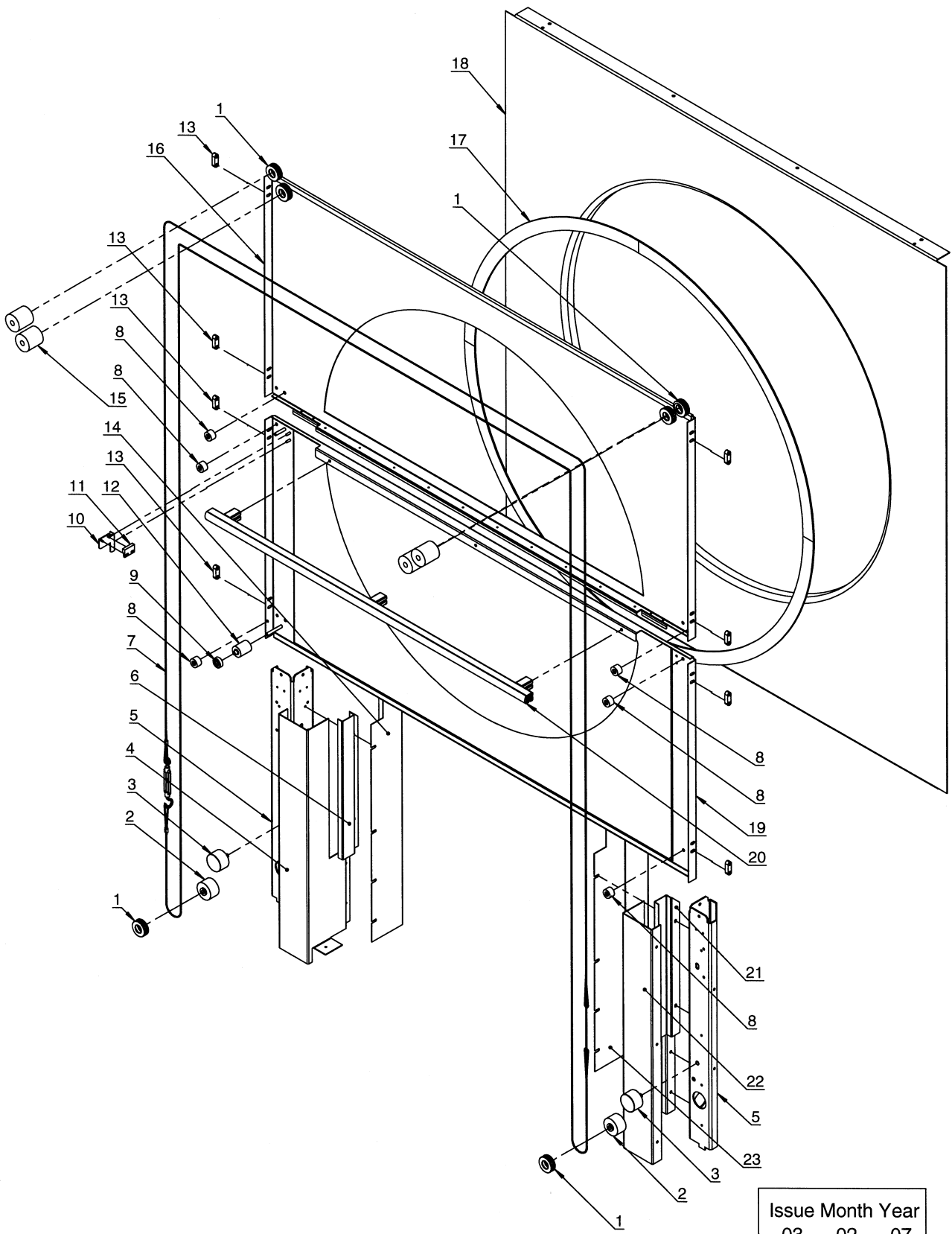
TD100

Door complete

Plaque complète

Illustration	Issue	Month	Year
Schéma	Issue	Month	Year
200034/3	4	9	2006

Item Article	Qua Qua	Art.No Réf. article	Description	Description	Info Info	Notes Remarques
1	1 1	487 2449-10 487 2573-01	Door Door	Plaque Plaque	3 3	Glued -20900/0000490 Selecta II Glued
2	1	487 0191-28	•Handle	•Manivelle	3	00900/0000002- Silvergrey
3	1	487 2400-24	•Door gasket	•Joint de la porte	1	
4	1	487 0215-73	Snap catch	Cliquet	3	
5	1	487 1756-35	Bushing	Douille	3	-20900/0000490



20 01 33

Issue	Month	Year
03	02	07

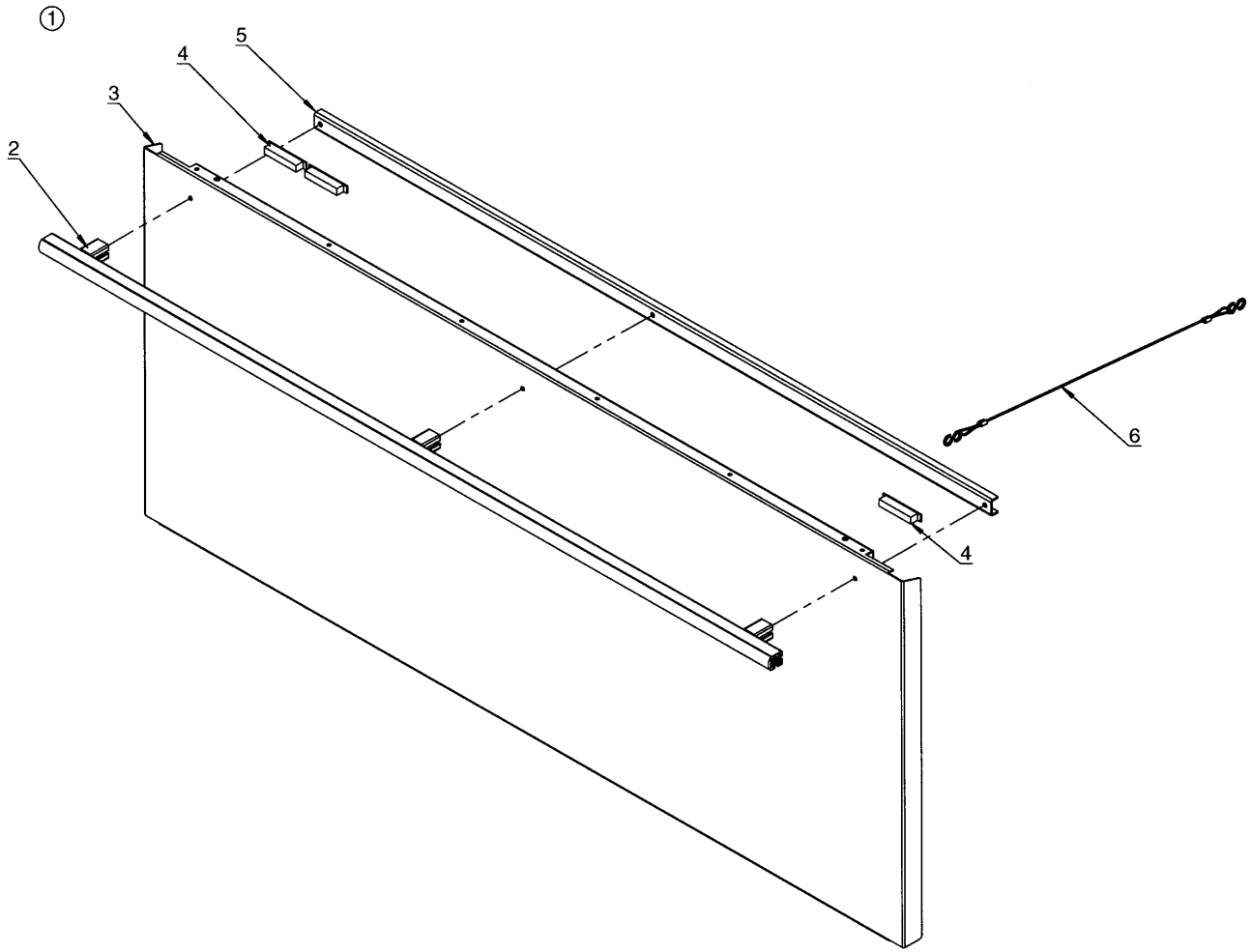
TD100

Door complete - Sliding Door

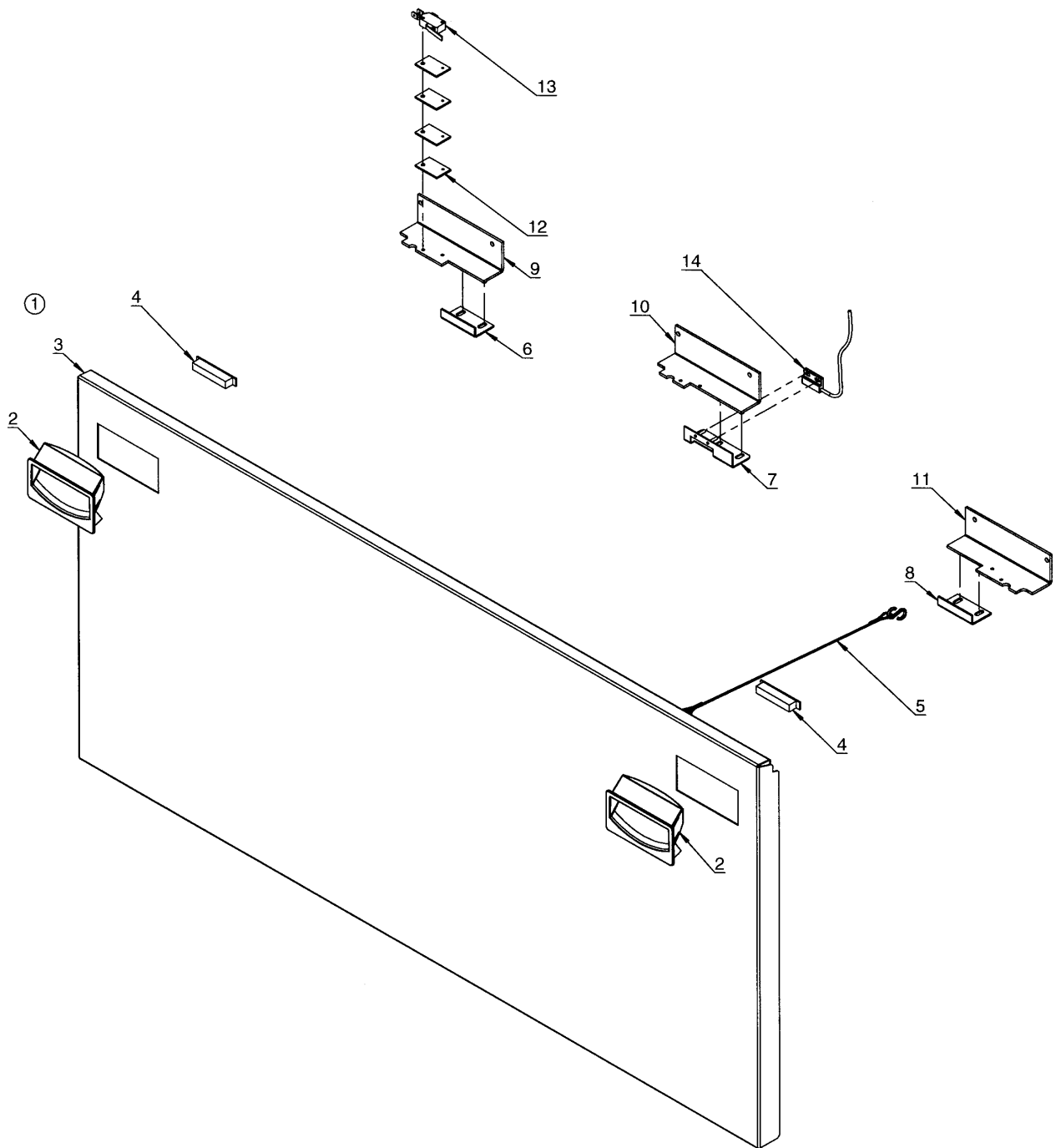
Plaque complète - Sliding Door

Illustration Issue Month Year
Schéma Issue Month Year
200133/3 4 4 2007

Item Article	Qua Qua	Art.No Réf. article	Description	Description	Info Info	Notes Remarques
1	6	487 2426-85	Wheel	Roue	3	Complete Steel wire
2	2	487 2426-22	Bushing	Douille	3	Bottom
3	2	487 2426-50	Rubber bushing	Douille caoutchouc	3	
4	1	487 2426-09	Panel	Panneau	3	Left Bottom
5	2	487 2400-26	Post	Montant	3	-20900/0000490
	2	487 2519-01	Post	Montant	3	Selecta II 00900/0000002-
6	1	487 2426-02	Panel	Panneau	3	Left Bottom
7	1	487 2436-11	Steel wire	Câble métallique	3	Complete
8	6	487 2426-36	Bushing	Douille	3	-20900/0000490
	6	487 2516-01	Bushing	Douille	3	Selecta II 00900/0000002-
9	1	487 2426-31	Ball bearing	Roulement à billes	3	
10	1	487 2524-01	Bracket	Support	3	Selecta II 00900/0000002-
11	1	487 2307-25	Magnet	Aimant	3	Selecta II 00900/0000002-
12	1	487 2426-39	Bearing cage	Cage de palier	3	
13	8	487 2426-79	Guiding element	Elément de guidage	3	
14	1	487 2537-01	Cover plate	Tôle de fermeyure	3	Left Selecta II 00900/0000002-
15	4	487 2426-20	Bushing	Douille	3	
16	1	487 2448-72	Door with glass	Porte vitrée	3	Upper Control panel left side -20900/0000490
	1	487 2436-09	Door with glass	Porte vitrée	3	Upper Control panel right side -20900/0000490
	1	487 2577-02	Door with glass	Porte vitrée	3	Upper Control panel left side 00900/0000002-
	1	487 2578-02	Door with glass	Porte vitrée	3	Upper Control panel right side 00900/0000002-
17	4	487 2426-76	Felt sealing	Joint feutre	1	
18	1	487 2439-55	Front	Devant	3	Stainless
19	1	487 2448-76	Door with glass	Porte vitrée	3	Lower Control panel left side -20900/0000490
	1	487 2436-07	Door with glass	Porte vitrée	3	Lower Control panel right side -20900/0000490
	1	487 2539-02	Door with glass	Porte vitrée	3	Lower Control panel left side 00900/0000002-
	1	487 2540-02	Door with glass	Porte vitrée	3	Lower Control panel right side 00900/0000002-
20	1	487 2426-82	•Handle	•Manivelle	3	Complete
21	1	487 2426-55	Panel	Panneau	3	Right Bottom
22	1	487 2426-08	Panel	Panneau	3	Right Bottom
23	1	487 2535-01	Cover plate	Tôle de fermeyure	3	Right Selecta II 00900/0000002-



TD100				Illustration	Issue	Month	Year
Filter hatch, joined				Schéma	Issue	Month	Year
Plaque filtre, collecté				200126/2	9	2	2007
Item Article	Qua Qua	Art.No Réf. article	Description	Description	Info Info	Notes Remarques	
1	1	487 1714-71	Filter hatch	Volet du filtre	3	White Complete -20900/0000490	
	1	487 1714-72	Filter hatch	Volet du filtre	3	Red Complete -20900/0000490	
	1	487 1714-73	Filter hatch	Volet du filtre	3	Green Complete -20900/0000490	
	1	487 1714-74	Filter hatch	Volet du filtre	3	Stainless Complete -20900/0000490	
	1	487 1714-75	Filter hatch	Volet du filtre	3	Beige Complete -20900/0000490	
	1	487 1714-76	Filter hatch	Volet du filtre	3	Ivory Complete -20900/0000490	
	1	487 0998-01	Filter hatch	Volet du filtre	3	White Complete 00900/0000002-	
	1	487 0998-02	Filter hatch	Volet du filtre	3	Red Complete 00900/0000002-	
	1	487 0998-03	Filter hatch	Volet du filtre	3	Green Complete 00900/0000002-	
	1	487 0998-04	Filter hatch	Volet du filtre	3	Stainless Complete 00900/0000002-	
	1	487 0998-05	Filter hatch	Volet du filtre	3	Selecta II Almond Complete 00900/0000002-	
1	487 0998-06	Filter hatch	Volet du filtre	3	Ivory Complete 00900/0000002-		
2 3	1	487 1935-74	•Handle	•Manivelle	3	Complete	
	1	487 2450-05	•Filter hatch	•Volet du filtre	3	White -20900/0000490	
	1	487 2450-06	•Filter hatch	•Volet du filtre	3	Red -20900/0000490	
	1	487 2450-41	•Filter hatch	•Volet du filtre	3	Green -20900/0000490	
	1	487 2450-55	•Filter hatch	•Volet du filtre	3	Stainless -20900/0000490	
	1	487 2450-63	•Filter hatch	•Volet du filtre	3	Beige -20900/0000490	
	1	487 2450-77	•Filter hatch	•Volet du filtre	3	Ivory -20900/0000490	
	1	487 2575-05	•Filter hatch	•Volet du filtre	3	White 00900/0000002-	
	1	487 2575-06	•Filter hatch	•Volet du filtre	3	Selecta II Red 00900/0000002-	
	1	487 2575-41	•Filter hatch	•Volet du filtre	3	Selecta II Green 00900/0000002-	
	1	487 2576-55	•Filter hatch	•Volet du filtre	3	Stainless 00900/0000002-	
1	487 2575-63	•Filter hatch	•Volet du filtre	3	Selecta II Almond 00900/0000002-		
4	1	487 2575-77	•Filter hatch	•Volet du filtre	3	Selecta II Ivory 00900/0000002-	
	2	487 1875-30	•Magnetic lock	•Verrouillage magnétique	3	-20900/217	
	2	487 1510-88	•Magnetic lock	•Verrouillage magnétique	3	20900/218-0000490	
5 6	3	487 1510-88	•Magnetic lock	•Verrouillage magnétique	3	Selecta II 00900/0000002-	
	1	487 2446-90	•Support	•Support	3		
1	487 1974-96	Steel wire	Câble métallique	3	Complete		



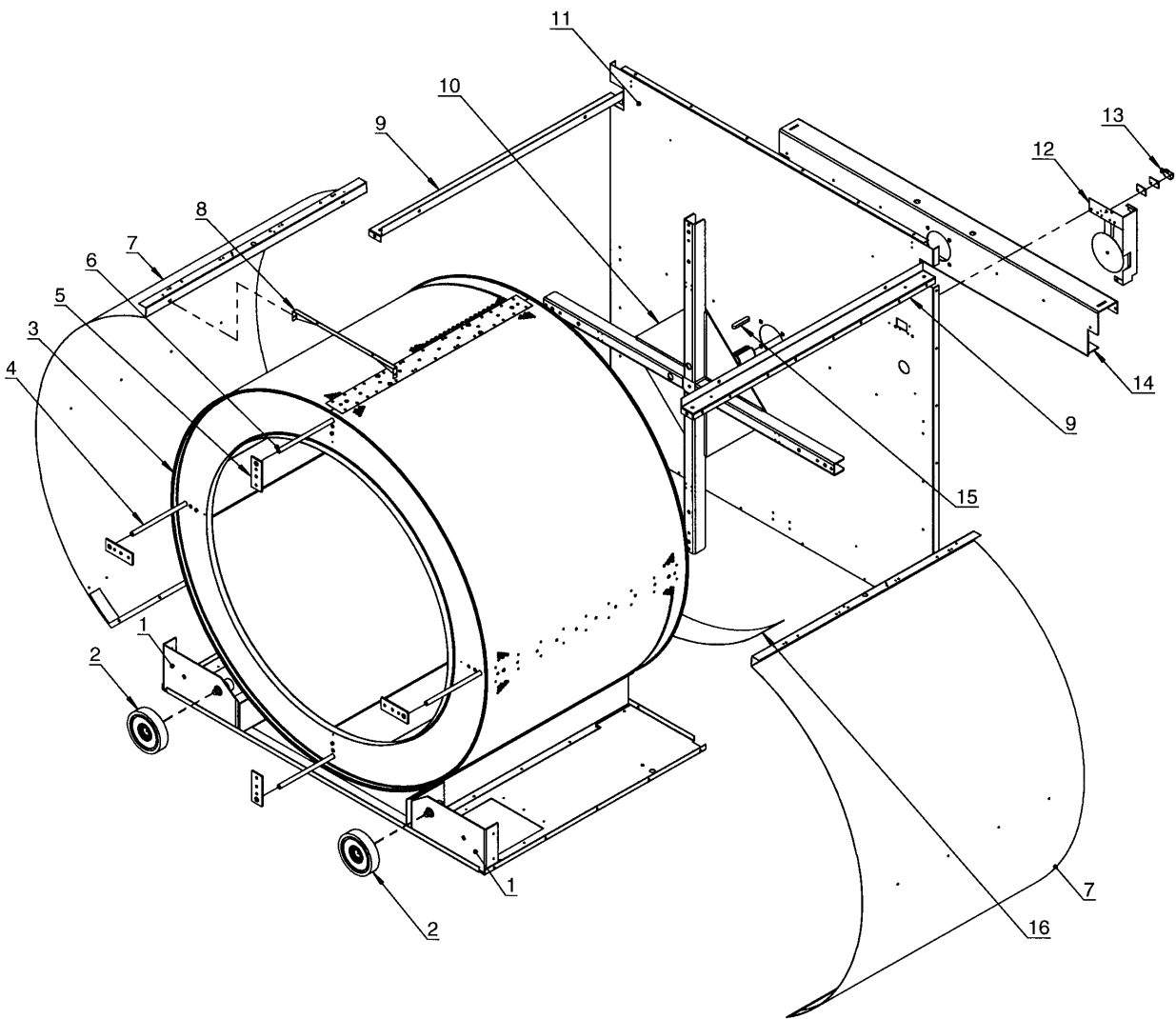
TD100

Filter hatch, joined - Sliding Door

Plaque filtre, collecté - Sliding Door

Illustration Issue Month Year
Schéma Issue Month Year
200134/1 3 12 2006

Item Article	Qua Qua	Art.No Réf. article	Description	Description	Info Info	Notes Remarques
1	1	487 1935-53	Filter hatch	Volet du filtre	3	Stainless Complete
2	2	487 1920-05	•Handle	•Manivelle	3	Plastic
3	1	487 2427-55	•Filter hatch	•Volet du filtre	3	Stainless
4	2	487 1510-88	•Magnetic lock	•Verrouillage magnétique	3	
5	1	487 1974-96	Steel wire	Câble métallique	3	Complete
6	2	487 2447-61	Bracket	Support	3	Magnet -20900/0000490
7	1	487 2526-01	Bracket	Support	3	Magnet 00900/0000002-
8	1	487 2447-61	Bracket	Support	3	Right
9	1	487 2426-60	Fitting	Garniture	3	Left -20900/0000490
10	1	487 2527-01	Fitting	Garniture	3	Left 00900/0000002-
11	1	487 2426-94	Bracket	Support	3	Right -20900/0000490
12	4	471 2068-48	Insulation	Isolation	3	-20900/0000490
13	1	487 1898-10	Microswitch	Microrupteur	1,2	-20900/0000490
14	1	487 0274-49	Magnetic switch	Disjoncteur magnétique	1,2	00900/0000002-



Issue	Month	Year
06	11	06

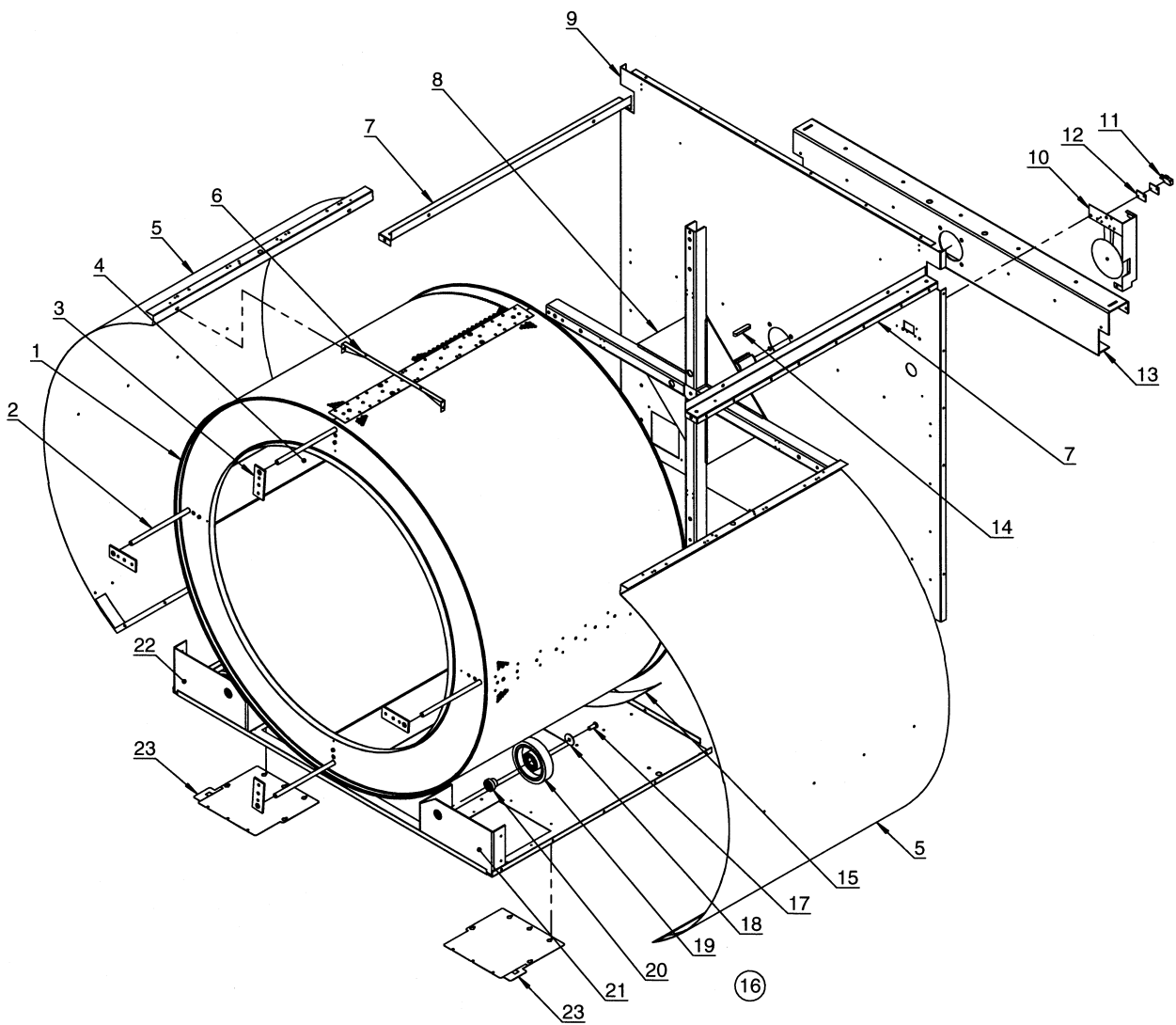
TD100 -20900/0000113

Drum, compl.

Tambour, complet

Illustration Issue Month Year
Schéma Issue Month Year
200035/3 9 10 2006

Item Article	Qua Qua	Art.No Réf. article	Description	Description	Info Info	Notes Remarques
1	1	487 1600-02	Support roller	Galet de soutien	3	Complete Repair kit
2	2	487 0098-12	•Support roller	•Galet de soutien	3	With ball bearing
3	1	487 2408-12	Drum	Tambour	3	Galvanised Complete
	1	487 2408-11	Drum	Tambour	3	Stainless Complete
4	4	487 1694-78	•Brace	•Montant	3	
6	4	487 2405-62	•Lifter	•Battoir	3	Galvanised
	4	487 2405-52	•Lifter	•Battoir	3	Stainless
7	2	487 2405-58	Casing	Carter	3	
8	1	487 2400-57	Profile	Profilé d'assemblage	3	
9	2	487 2405-59	Cable retainer	Support de câble	3	
10	1	487 2400-12	Shaft cross	Croix d'arbres	3	
11	1	487 2400-46	Rear panel	Plaque arrière	3	
12	1	487 2408-83	Assembly plate	Plaque de montage	3	Complete
13	1	487 1897-05	Microswitch	Microrupteur	1,2	
14	1		Cross beam	Poutre transversale		See illustr. 200036
15	1	487 2400-89	Wedge	Cheville	3	A12X8X63
16	1	487 2400-58	Air reducing plate	Tôle de réduction	3	



20 01 39

Issue Month Year
06 02 07

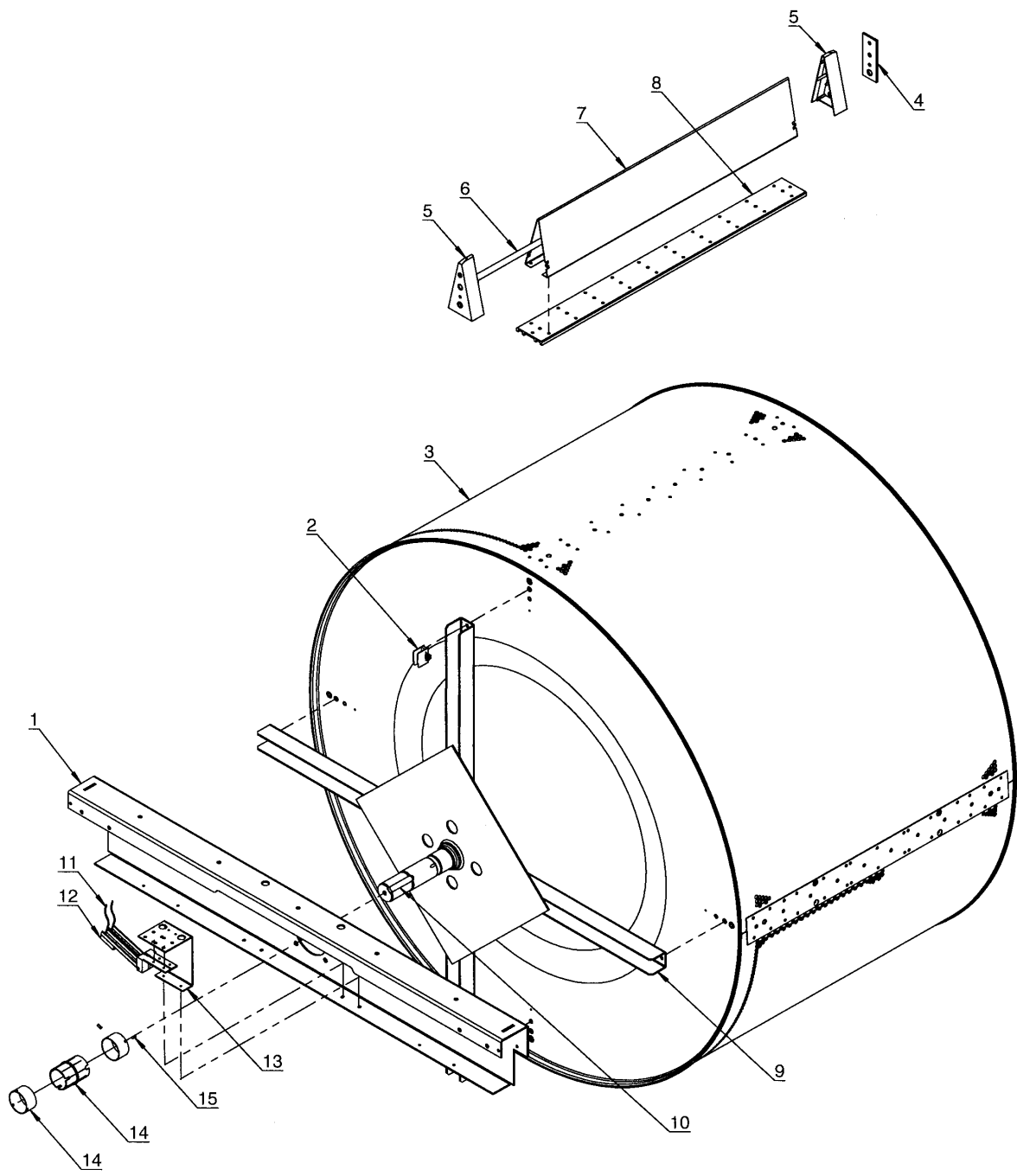
TD100 20900/0000114-

Drum, compl.

Tambour, complet

Illustration Issue Month Year
Schéma Issue Month Year
200139/4 10 2 2007

Item Article	Qua Qua	Art.No Réf. article	Description	Description	Info Info	Notes Remarques
1	1	487 2408-12	Drum	Tambour	3	Galvanised Complete
	1	487 2408-11	Drum	Tambour	3	Stainless Complete
2	4	487 1694-78	•Brace	•Montant	3	
3	4	487 2408-05	•End stop	•Butée	3	
4	4	487 2405-62	•Lifter	•Battoir	3	Galvanised
	4	487 2405-52	•Lifter	•Battoir	3	Stainless
5	2	487 2405-58	Casing	Carter	3	-20900/0000490
	2	487 2589-01	Casing	Carter	3	Selecta II 00900/0000002-
6	1	487 2400-57	Profile	Profilé d'assemblage	3	
7	2	487 2405-59	Cable retainer	Support de câble	3	
8	1	487 2400-12	Shaft cross	Croix d'arbres	3	
9	1	487 2400-46	Rear panel	Plaque arrière	3	-20900/0000490
	1	487 2531-01	Rear panel	Plaque arrière	3	Selecta II 00900/0000002-
10	1	487 2408-83	Assembly plate	Plaque de montage	3	Complete
11	1	487 1897-05	Microswitch	Microrupteur	3	
12	2	487 1492-01	Insulation	Isolation	3	
13	1	487 2400-40	Cross beam	Poutre transversale	3	-20900/0000490
	1	487 2547-01	Cross beam	Poutre transversale	3	Selecta II 00900/0000002-
14	1	487 2400-89	Wedge	Cheville	3	A12X8X63
15	1	487 2400-58	Air reducing plate	Tôle de réduction	3	
16	1	487 2408-79	Support roller	Galet de soutien	3	Complete
17	2	725 2497-51	•Screw	•Vis	3	M10X35
18	2	487 2422-83	•Disc	•Disque	3	Ø35XØ10,5X4
19	2	487 0098-12	•Support roller	•Galet de soutien	3	With ball bearing
20	2	487 2422-82	•Shaft	•Axe	3	
21	1	487 2422-86	•Bracket	•Console	3	Right
22	1	487 2422-85	•Bracket	•Console	3	Left
23	2	487 2422-84	Cover plate	Tôle de fermeyure	3	-20900/0000490
	2	487 2569-01	Cover plate	Tôle de fermeyure	3	Selecta II 00900/0000002-



Issue	Month	Year
04	09	06

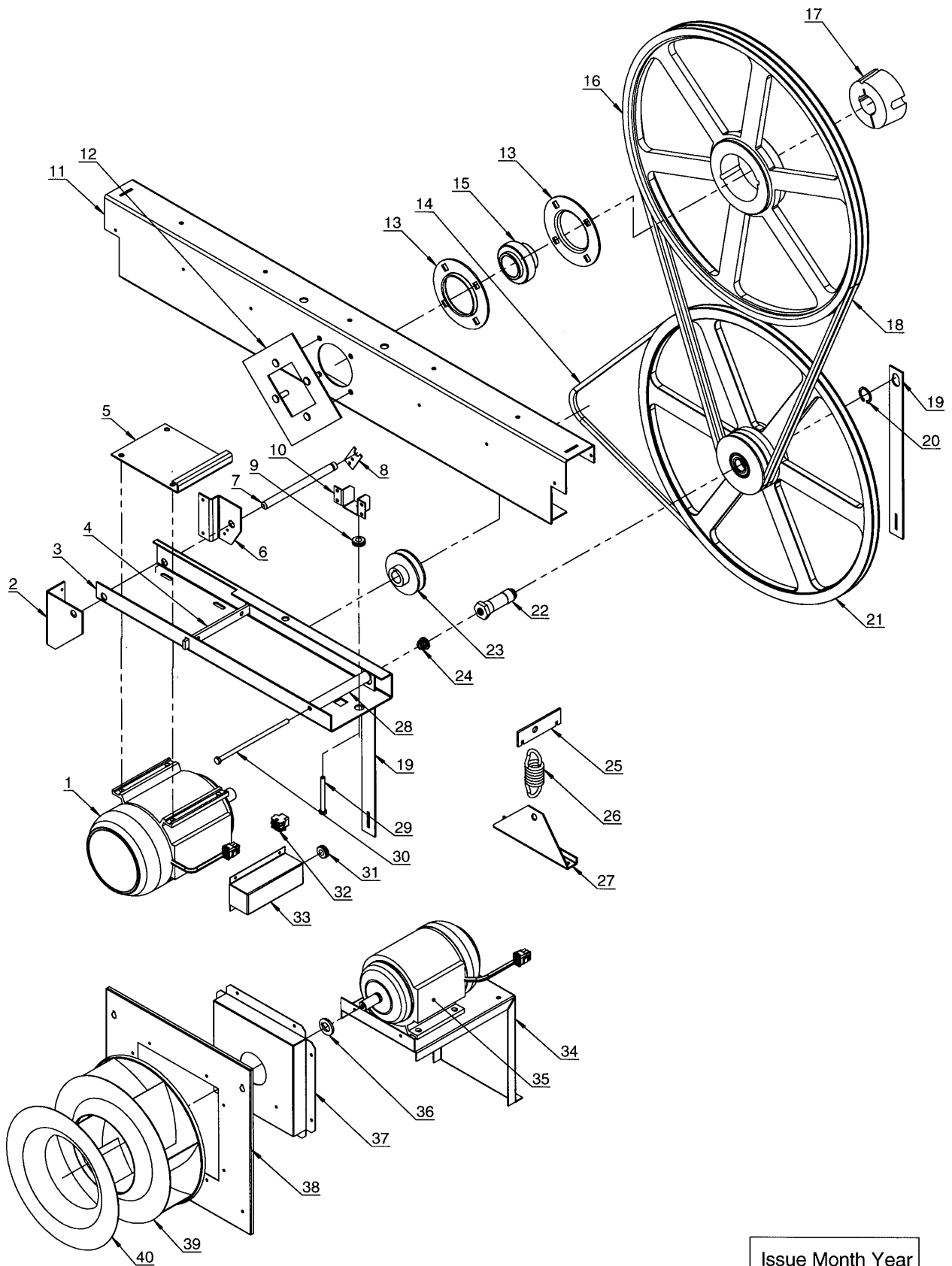
TD100

Drum with moisture sensor

Tambour avec capteur humidité

Illustration Issue Month Year
Schéma Issue Month Year
200123/4 4 10 2006

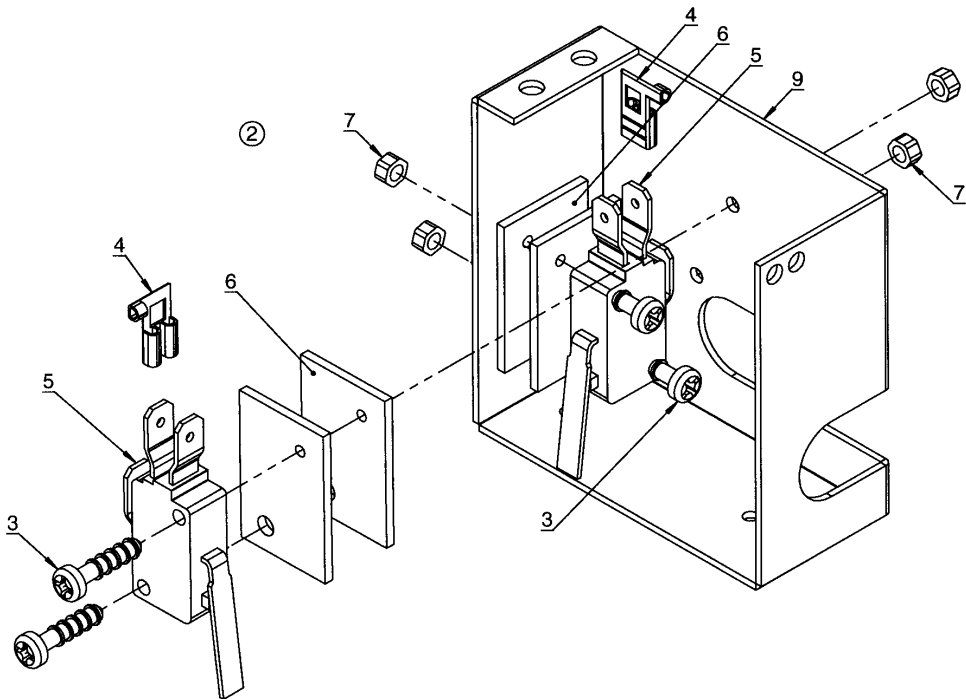
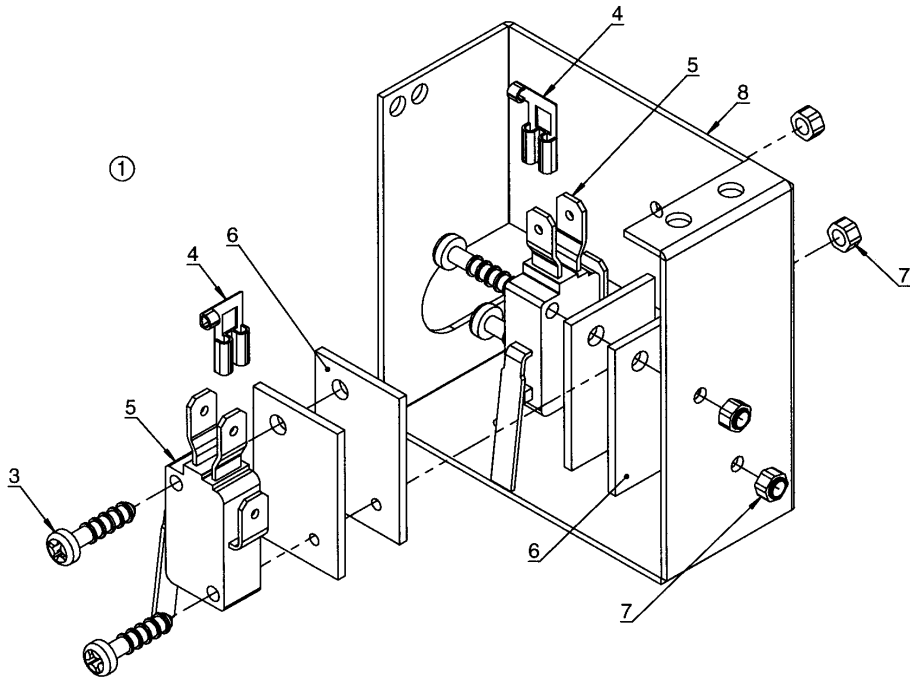
Item Article	Qua Qua	Art.No Réf. article	Description	Description	Info Info	Notes Remarques
1	1	487 2400-40	Cross beam	Poutre transversale	3	-20900/0000490
	1	487 2547-01	Cross beam	Poutre transversale	3	Selecta II 00900/0000002-
2	1	487 0199-49	Cable set	Ensemble de câbles	3	
3	1	487 2408-16	Drum	Tambour	3	Galvanised Complete
	1	487 2408-15	Drum	Tambour	3	Stainless Complete
4	4	487 2408-05	•End stop	•Butée	3	
5	2	487 2422-72	•End part	•Plaque désenclenchement	3	
6	1	487 2422-75	•Brace	•Montant	3	
7	1	487 2409-13	•Lifter	•Battoir	3	Galvanised
	1	487 2409-14	•Lifter	•Battoir	3	Stainless
8	1	487 2422-73	•Profile	•Profilé	3	
9	1	487 2422-90	Shaft cross	Croix d'arbres	3	
10	1	487 2400-89	Wedge	Cheville	3	A12X8X63
11	1	487 0199-48	Cable set	Ensemble de câbles	3	-20900/0000490
	1	487 2466-99	Cable set	Ensemble de câbles	3	Selecta II 00900/0000002-
12	2	487 2327-95	Sensor	Détecteur	3	Complete
13	1	487 2427-46	Fitting	Garniture	3	-20900/0000344
	1	487 2411-90	Fitting	Garniture	3	20900/0000345-
14	1	487 1831-00	Sensor	Détecteur	3	Complete
15	3	728 5289-00	•Screw	•Vis	3	M4x10



20 00 36

Issue	Month	Year
03	09	06

TD100				Illustration	Issue	Month	Year
Motor				Schéma	Issue	Month	Year
Moteur				200036/3	11	9	2006
Item	Qua	Art.No	Description	Description	Info	Notes	
Article	Qua	Réf. article			Info	Remarques	
1	1	487 0215-81	Motor	Moteur	1,2	Drum	
2	1	487 2400-43	Bracket	Console	3	Foremost	
3	1	487 2400-52	Motor bracket	Appui de moteur	3		
4	1	487 2400-76	Belt tensioner	Tendeur de courroie	3		
5	1	487 2400-44	Plate	Plaque	3		
6	1	487 2400-39	Bracket	Console	3	Hindmost	
7	1	487 2400-37	Shaft	Axe	3		
8	1	487 2400-74	Locking plate	Gâche de serrure	3		
9	1	487 2412-12	Rubber bushing	Douille caoutchouc	3	Ø12/Ø18X3	
10	1	487 2400-66	Safety plate	Garniture de sécurité	3		
11	1	487 2400-40	Cross beam	Poutre transversale	3	-20900/0000490	
	1	487 2547-01	Cross beam	Poutre transversale	3	00900/0000002-	
12	1	487 2400-55	Support plate	Panneau de support	3		
13	1	487 1695-48	Bearing disc	Disque de roulement	3		
14	1	487 2400-83	V-belt	Courroie trapézoïdale	1,2		
15	1	487 1695-49	Bearing	Coussinet	1,2		
16	1	487 2400-81	Pulley	Poulie	3	Ø630	
17	1	487 2400-82	Clamping sleeve	Gaine de serrage	3	Ø42	
18	2	487 2400-84	V-belt	Courroie trapézoïdale	1,2		
19	2	487 2400-45	Fitting	Garniture	3		
20	1	735 3126-00	C-clamp	Attache en forme C	3	D25	
21	1	487 2400-00	Pulley	Poulie	3	With ball bearing	
22	1	487 2400-09	Shaft	Axe	3		
23	1	487 2400-08	Pulley	Poulie	3	Ø81 50Hz and frequency controlled	
	1	487 2405-66	Pulley	Poulie	3	Ø70 60Hz	
24	1	487 2405-01	Bushing	Douille	3		
25	1	487 2400-48	Bracket	Support	3		
26	1	487 2400-98	Spring	Ressort	3		
27	1	487 2400-75	Belt tensioner	Tendeur de courroie	3		
28	1	487 2405-78	Spacer sleeve	Manchon entretoise	3		
29	1	725 2477-51	Screw	Vis	3	M8X130	
30	1	487 2400-63	Bolt	Boulon	3	M8X190	
31	1	487 1654-06	Rubber bushing	Douille caoutchouc	3	Ø12/Ø18X3	
32	1	487 0199-10	Cable set	Ensemble de câbles	3	200-240V -20900/0000490	
	1	487 0199-11	Cable set	Ensemble de câbles	3	400-480V -20900/0000490	
	1	487 0199-12	Cable set	Ensemble de câbles	3	200-240V 3AC Frequency -20900/0000490	
	1	487 0199-13	Cable set	Ensemble de câbles	3	400-480V 3AC Frequency -20900/0000490	
	1	487 2466-50	Cable set	Ensemble de câbles	3	200-240V 3AC Selecta II 00900/0000002-	
	1	487 2466-51	Cable set	Ensemble de câbles	3	400-480V 3AC Selecta II 00900/0000002-	
	1	487 2466-52	Cable set	Ensemble de câbles	3	200-240V 3AC Frequency Selecta II 00900/0000002-	
	1	487 2466-53	Cable set	Ensemble de câbles	3	400-480V 3AC Frequency Selecta II 00900/0000002-	
33	1	487 2405-43	Cover	Couvercle	3		
34	1	487 2400-68	Bracket	Console	3		
35	1	487 0215-82	Motor	Moteur	1,2	Fan wheel	
36	1	487 2406-04	Disc	Disque	3	Ø35	
37	1	487 2412-19	Cover	Couvercle	3	50/60Hz	
38	1	487 2400-64	Cover	Couvercle	3		
39	1	487 2412-02	Fan wheel	Poulie ventilateur	3	50/60Hz	
40	1	487 2422-80	Venturi	Venturi	3	Ø315 50/60Hz	



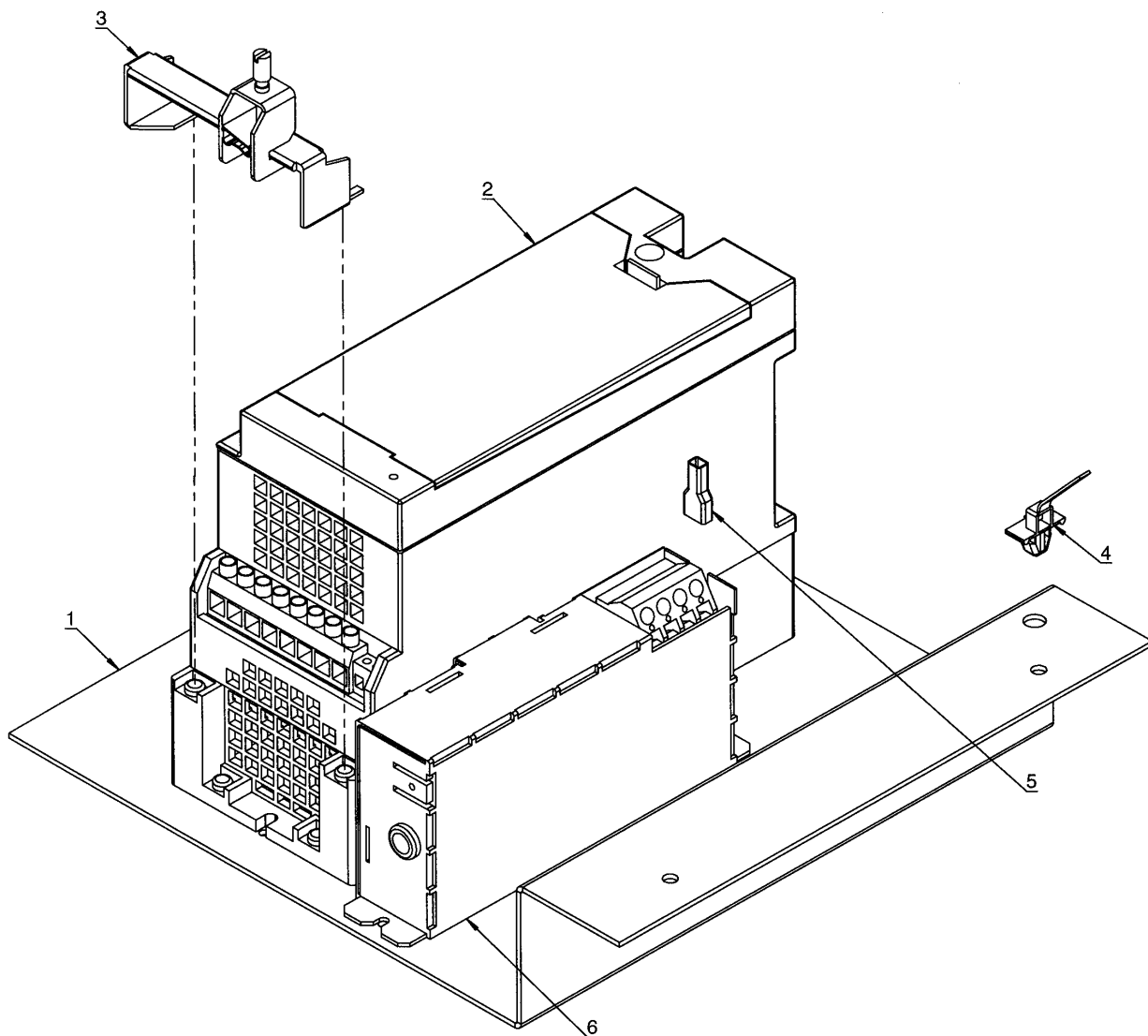
TD100 -20900/0000490

Door switch - Sliding Door

Interrupteur de porte - Sliding Door

Illustration	Issue	Month	Year
Schéma	Issue	Month	Year
200137/1	1	1	2004

Item Article	Qua Qua	Art.No Réf. article	Description	Description	Info Info	Notes Remarques
1	1	487 2427-21	Door switch	Interrupteur de porte	3	Complete Left-hinged
2	1	487 2427-22	Door switch	Interrupteur de porte	3	Complete Right-hinged
3	4		•Screw	•Vis		M3X16
4	1	487 0199-16	•Cable	•Câble	3	
5	2	487 1898-10	•Microswitch	•Microrupteur	1,2	
6	8	471 2068-48	•Insulation	•Isolation	3	
7	4		•Locking nut	•Contre-écrou		M3
8	1	487 2426-03	•Screen	•Écran	3	Left-hinged
9	1	487 2427-23	•Screen	•Écran	3	Right-hinged



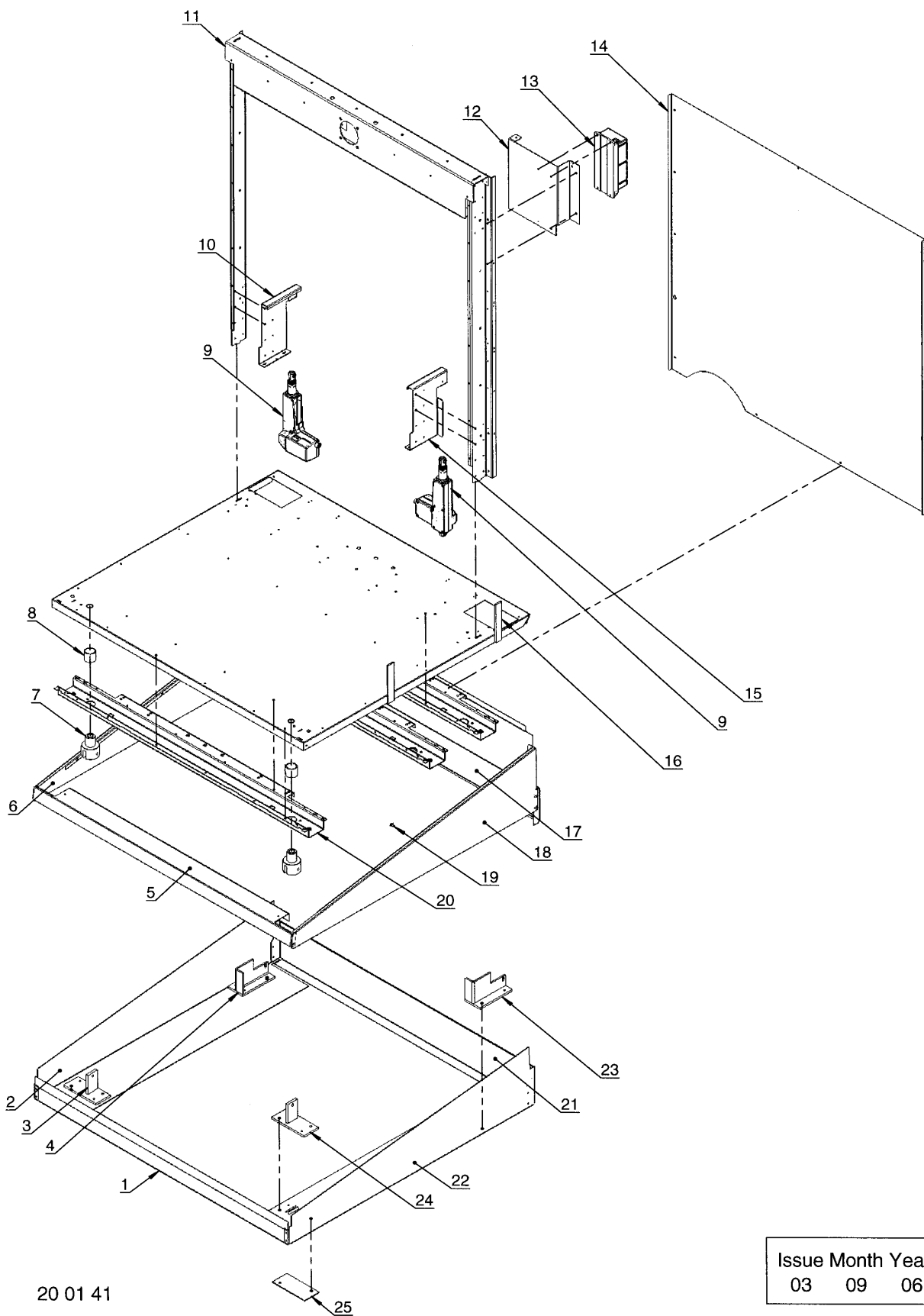
TD100

Frequency converter, complete

Convertisseur de fréquence, complet

Illustration Issue Month Year
Schéma Issue Month Year
200098/1 2 9 2006

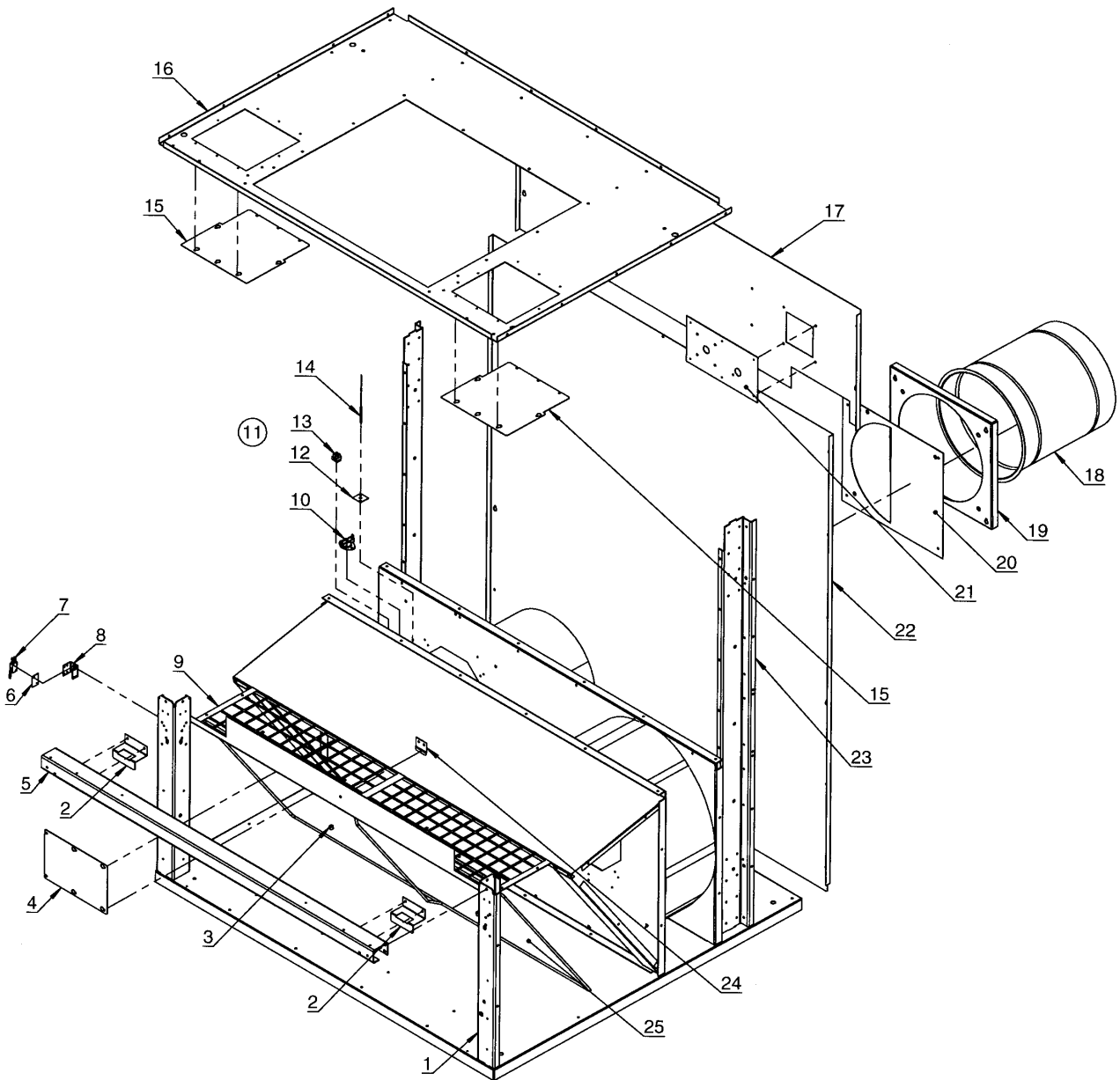
Item Article	Qua Qua	Art.No Réf. article	Description	Description	Info Info	Notes Remarques
1	1	487 2405-42	Bracket	Support	3	
2	1	487 1935-13	Frequency converter	Convertisseur de fréquence	3	200-240V 1AC
	1	487 1935-14	Frequency converter	Convertisseur de fréquence	3	400-480V 3AC
3	1	487 0289-60	•Rod linkage	•Biellette	3	
4	1	487 1694-18	Cable tie	Collier de serrage	3	
5	1	487 0199-42	Cable set	Ensemble de câbles	3	-20900/0000490
	1	487 2466-55	Cable set	Ensemble de câbles	3	Selecta II 00900/0000002-
6	1	487 0289-63	Filter	Filtre	3	200-240V 1AC
	1	487 0289-57	Filter	Filtre	3	400-480V 3AC



20 01 41

Issue	Month	Year
03	09	06

TD100				Illustration	Issue	Month	Year
Tilt				Schéma	Issue	Month	Year
Inclinaison				200141/3	3	9	2006
Item	Qua	Art.No	Description	Description	Info	Notes	
Article	Qua	Réf. article			Info	Remarques	
1	1	487 2436-55	Front	Devant	3	Socket	
2	1	487 2427-91	Socket	Socle	3	Complete Left	
3	1	487 2427-87	•Foot	•Pied	3	Foremost	
4	1	487 2427-86	•Foot	•Pied	3	Left Hindmost	
5	1	487 2401-55	Cross beam	Poutre transversale	3	Bottom	
6	1	487 2427-93	Side	Côté	3	Left Inner box	
7	2	487 2426-05	Bracket	Console	3		
8	2	487 2427-62	Bushing	Douille	3		
9	2	487 1935-72	Activator	Activateur	3	Complete	
10	1	487 2427-83	Fitting	Garniture	3	Left	
11	1	487 2400-40	Cross beam	Poutre transversale	3	-20900/0000490	
	1	487 2547-01	Cross beam	Poutre transversale	3	Selecta II 00900/0000002-	
12	1	487 2436-05	Fitting	Garniture	3		
13	1	487 0289-87	Control box	Boîtier de contrôle	3	120V	
	1	487 0289-99	Control box	Boîtier de contrôle	3	230V	
14	1	487 2427-76	Rear panel	Plaque arrière	3		
15	1	487 2427-82	Fitting	Garniture	3	Right	
16	1	487 2427-69	Felt	Feutre	3	5X30 MM	
17	1	487 2429-55	Rear panel	Plaque arrière	3	Inner box	
18	1	487 2427-92	Side	Côté	3	Right Inner box	
19	8	487 2427-96	Clips-screw	Clips-vis	3	M5X10	
20	2	487 2427-20	Beam	Poutre	3		
21	1	487 2437-55	Rear panel	Plaque arrière	3	Socket	
22	1	487 2427-90	Socket	Socle	3	Complete Right	
23	1	487 2427-85	•Foot	•Pied	3	Hindmost Right	
24	1	487 2427-87	•Foot	•Pied	3	Foremost	
25	5	487 2427-25	Adjuster plate	Plaque de réglage	3	1MM	
	5	487 2427-26	Adjuster plate	Plaque de réglage	3	2MM	
	5	487 2427-27	Adjuster plate	Plaque de réglage	3	3MM	



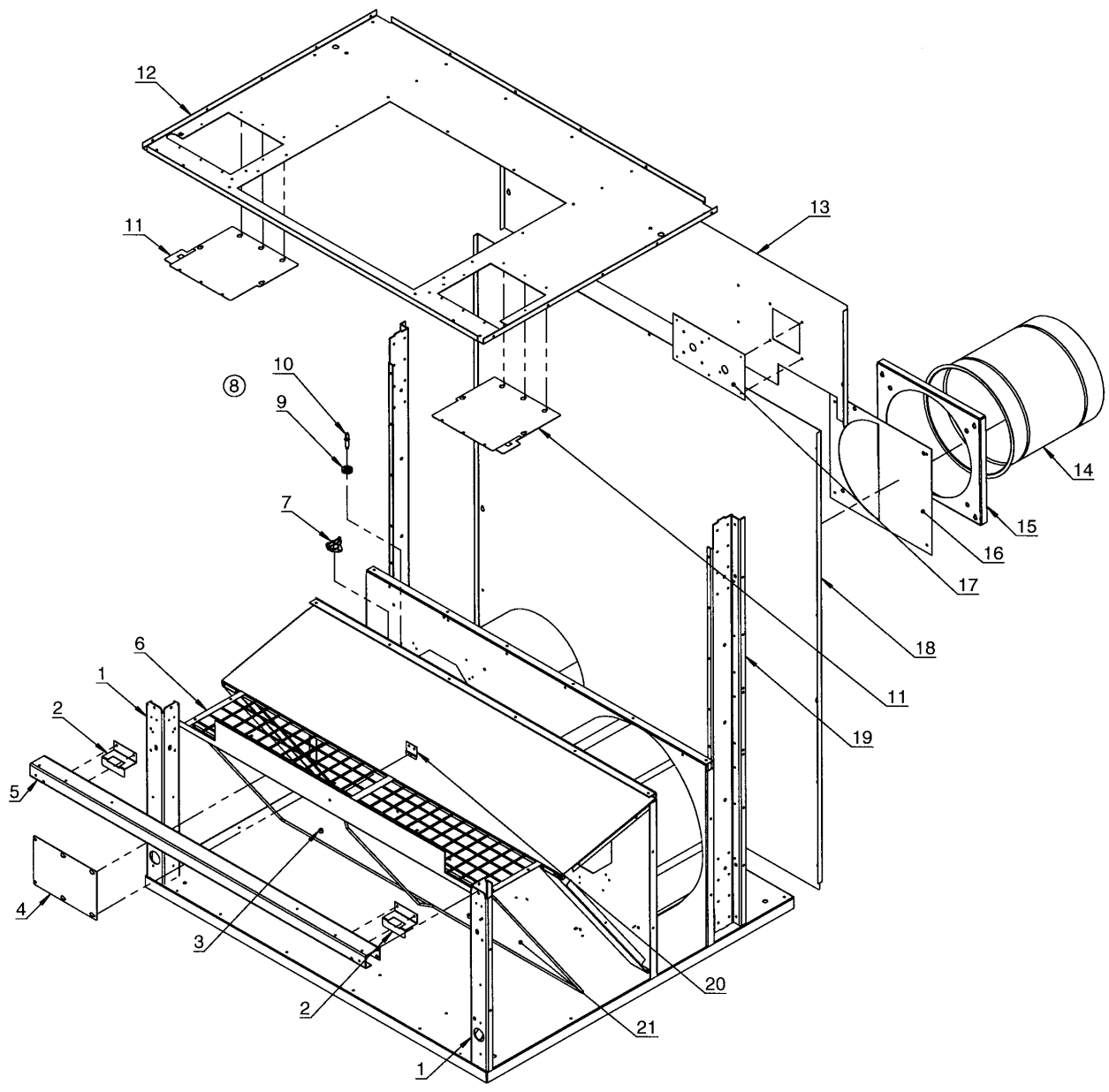
TD100 -20900/0000490

Filter/ Fan housing

Filtre/ Boîtier de ventilateur

Illustration Issue Month Year
Schéma Issue Month Year
200037/2 6 10 2006

Item Article	Qua Qua	Art.No Réf. article	Description	Description	Info Info	Notes Remarques
1	2	487 2400-26	Post	Montant	3	Foremost
2	2	487 2400-70	Angle	Coude	3	
3	2	472 7414-01	Spacer sleeve	Manchon entretoise	3	Ø10/Ø6
4	1	487 2256-07	Cover plate	Plaque recouvrement	3	
5	1	487 2400-33	Beam	Poutre	3	
6	1	471 2068-48	Insulation	Isolation	3	
7	1	487 1898-10	Microswitch	Microrupteur	1,2	
8	1	487 1813-10	Bracket	Support	3	
9	1	487 2400-79	Finger protection	Protection pour les doigts	3	
10	1	487 2317-84	Thermostat	Thermostat	1,2	90°C
11	1	487 1934-71	Thermistor element	Élément thermistor	1,2	Complete
12	1	487 1694-58	•Bracket	•Support	3	
13	1	762 7202-57	•Terminal block	•Borne de raccordement	3	2-pole
14	1	487 1535-04	•Thermistor element	•Élément thermistor	1,2	
15	2	487 2422-84	Cover plate	Tôle de fermeture	3	
16	1	487 2405-56	Top panel	Panneau supérieur	3	
17	1	487 2400-69	Rear panel	Plaque arrière	3	Upper
18	1	487 2405-97	Pipe	Tube	3	
19	1	487 2400-80	Flange	Bride	3	
20	1	487 2412-24	Air reducing plate	Tôle de réduction	3	60Hz
21	1	487 2405-96	Plate	Plaque	3	
22	1	487 2400-72	Rear panel	Plaque arrière	3	Lower
23	2	487 2400-38	Post	Montant	3	Hindmost
24	1	487 2405-41	Bracket	Support	3	
25	1	487 0101-30	Lint screen	Écran en coton	1	



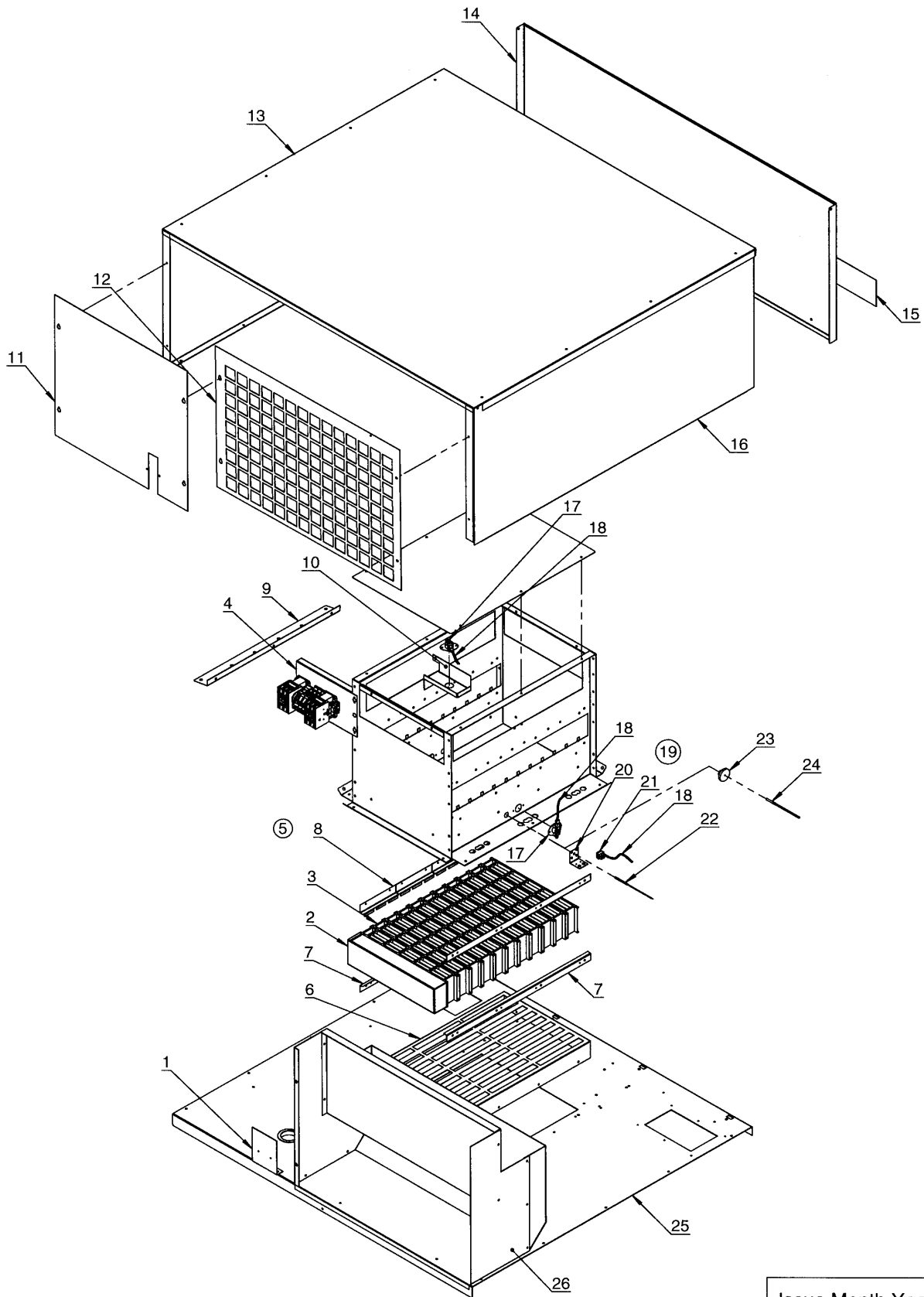
TD100 00900/0000002-

Filter/ Fan housing

Filtre/ Boîtier de ventilateur

Illustration Issue Month Year
Schéma Issue Month Year
200348/1 1 9 2006

Item Article	Qua Qua	Art.No Réf. article	Description	Description	Info Info	Notes Remarques
1	2	487 2519-01	Post	Montant	3	
2	2	487 2400-70	Angle	Coude	3	
3	2	472 7414-01	Spacer sleeve	Manchon entretoise	3	Ø10/Ø6
4	1	487 2256-07	Cover plate	Plaque recouvrement	3	
5	1	487 2400-33	Beam	Poutre	3	
6	1	487 2400-79	Finger protection	Protection pour les doigts	3	
7	1	487 2317-84	Thermostat	Thermostat	3	90°C
8	1	487 0285-13	Sensor	Détecteur	1,2	Complete
9	1	125 8760-00	•Rubber membrane	•Membrane caoutchouc	1,2	
10	1	487 0274-34	•Sensor	•Détecteur	1,2	NTC
11	2	487 2569-01	Cover plate	Tôle de fermeture	3	
12	1	487 2548-01	Top panel	Panneau supérieur	3	
13	1	487 2400-69	Rear panel	Plaque arrière	3	Upper
14	1	487 2405-97	Pipe	Tube	3	
15	1	487 2400-80	Flange	Bride	3	
16	1	487 2412-24	Air reducing plate	Tôle de réduction	3	60Hz
17	1	487 2405-96	Plate	Plaque	3	
18	1	487 2400-72	Rear panel	Plaque arrière	3	Lower
19	2	487 2400-38	Post	Montant	3	Hindmost
20	1	487 2405-41	Bracket	Support	3	
21	1	487 0101-30	Lint screen	Écran en coton	1	



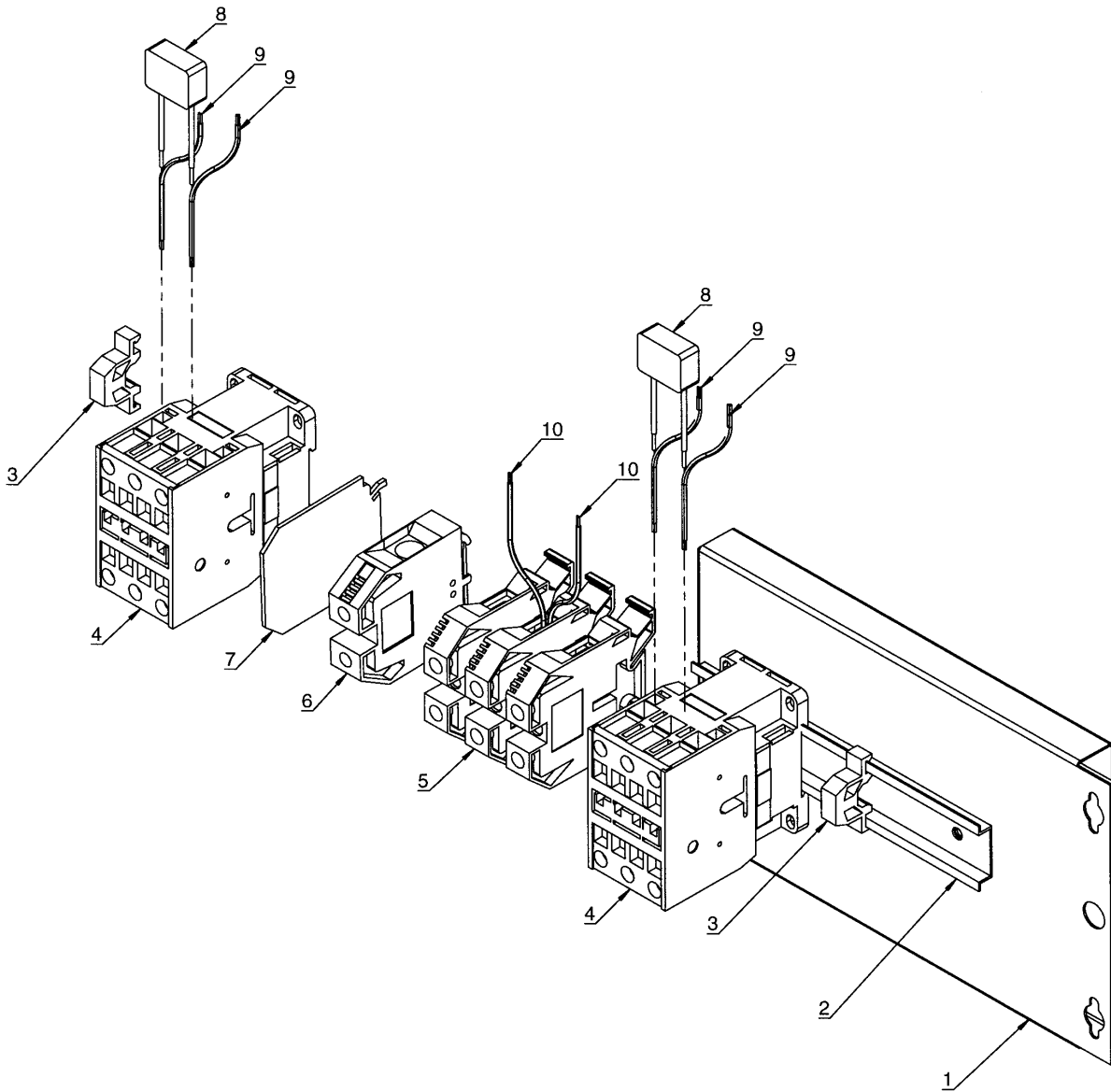
TD100

Heater unit, el

Élément chauffant, el

Illustration Issue Month Year
Schéma Issue Month Year
200038/4 12 8 2009

Item Article	Qua Qua	Art.No Réf. article	Description	Description	Info Info	Notes Remarques
1	1	487 2405-32	Cover	Couvercle	3	
2	RQ	487 1781-19	Air reducing plate	Tôle de réduction	3	
3	RQ	487 1715-84	Heating element	Élément chauffant	1,2	230V 6kW
	RQ	487 1715-85	Heating element	Élément chauffant	1,2	240V 6kW
	RQ	487 1715-86	Heating element	Élément chauffant	1,2	254V 6kW
	RQ	487 1715-90	Heating element	Élément chauffant	1,2	277V 6kW
	RQ	487 1715-94	Heating element	Élément chauffant	1,2	230V 8kW
	RQ	487 1715-96	Heating element	Élément chauffant	1,2	240V 8kW
	RQ	487 1715-95	Heating element	Élément chauffant	1,2	254V 8kW
	RQ	487 1531-76	Heating element	Élément chauffant	1,2	277V 8kW
4	1		Component plate	Plaque composants		See illustr. 200349
5	1	487 2408-41	Cassette	Cassette	3	Complete -20900/0000490
6	1	487 2405-37	•Grating	•Claie	3	
7	3	487 2405-25	•Rail	•Rail	3	
8	4	487 2255-15	•Bracket	•Support	3	
9	1	487 2405-28	•Cable retainer	•Support de câble	3	
10	1	487 1781-22	•Bracket	•Console	3	
11	1	487 2411-62	Cover plate	Plaque recouvrement	3	
12	1	487 2411-65	Rear panel	Plaque arrière	3	
13	1	487 2414-05	Top panel	Panneau supérieur	3	White
	1	487 2414-40	Top panel	Panneau supérieur	3	Grey
	1	487 2414-55	Top panel	Panneau supérieur	3	Stainless
14	1	487 2411-05	Front plate	Tôle de façade	3	White
	1	487 2411-06	Front plate	Tôle de façade	3	Red
	1	487 2411-41	Front plate	Tôle de façade	3	Green
	1	487 2411-55	Front plate	Tôle de façade	3	Stainless
	1	487 2411-67	Front plate	Tôle de façade	3	Ivory
	1	487 2411-73	Front plate	Tôle de façade	3	Beige
15	1	487 2226-45	Type plade	Numéro série plque	3	Wascomat TD100
16	2	487 2410-15	Side plate	Plaque de côté	3	White
	2	487 2410-50	Side plate	Plaque de côté	3	Stainless
	2	487 2410-80	Side plate	Plaque de côté	3	Grey
17	2	487 1697-08	Overheat protection	Protection supérieure	1,2	175°C
18	1	487 0199-32	Cable set	Ensemble de câbles	3	-20900/0000490
	1	487 2466-62	Cable set	Ensemble de câbles	3	00900/0000002-
19	1	487 2408-33	Thermistor element	Élément thermistor	1,2	Complete -20900/0000490
20	1	487 2406-00	•Fitting	•Garniture	3	-20900/0000490
21	1	762 7202-57	•Terminal block	•Borne de raccordement	3	2-pole -20900/0000490
22	1	487 1535-04	•Thermistor element	•Élément thermistor	1,2	-20900/0000490
* 23	1	487 2307-58	Rubber plug	Bouchon en caoutchouc	3	00900/0000002-
24	1	487 0274-32	Sensor	Détecteur	1,2	PT100 00900/0000002-
25	1	487 2405-65	Top panel	Panneau supérieur		See illustr. 200033, 200341
26	1	487 2408-48	Labyrinth	Labyrinthe	3	Complete



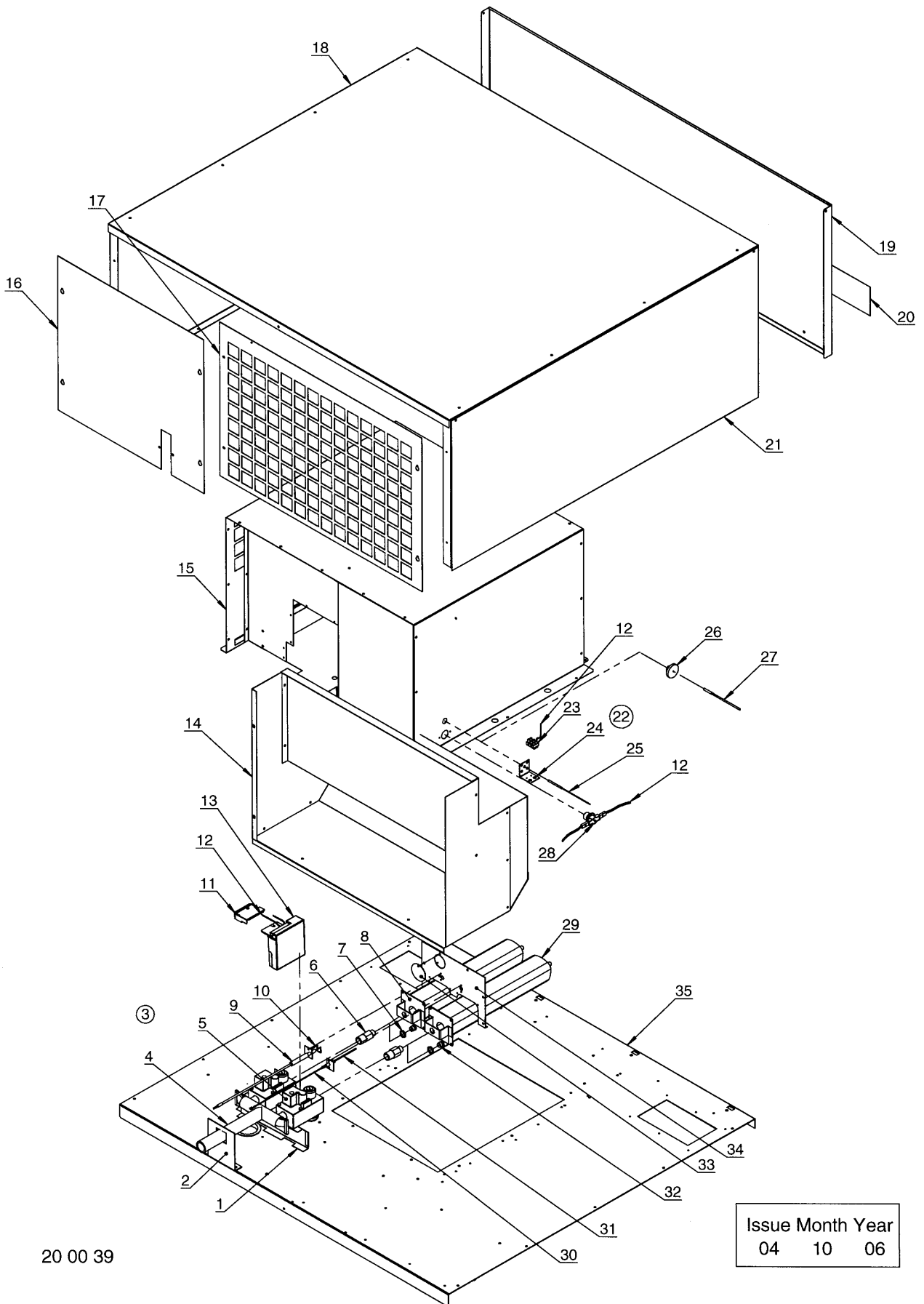
TD100

Control unit

Unité de contrôle

Illustration Issue Month Year
Schéma Issue Month Year
200349/1 1 9 2006

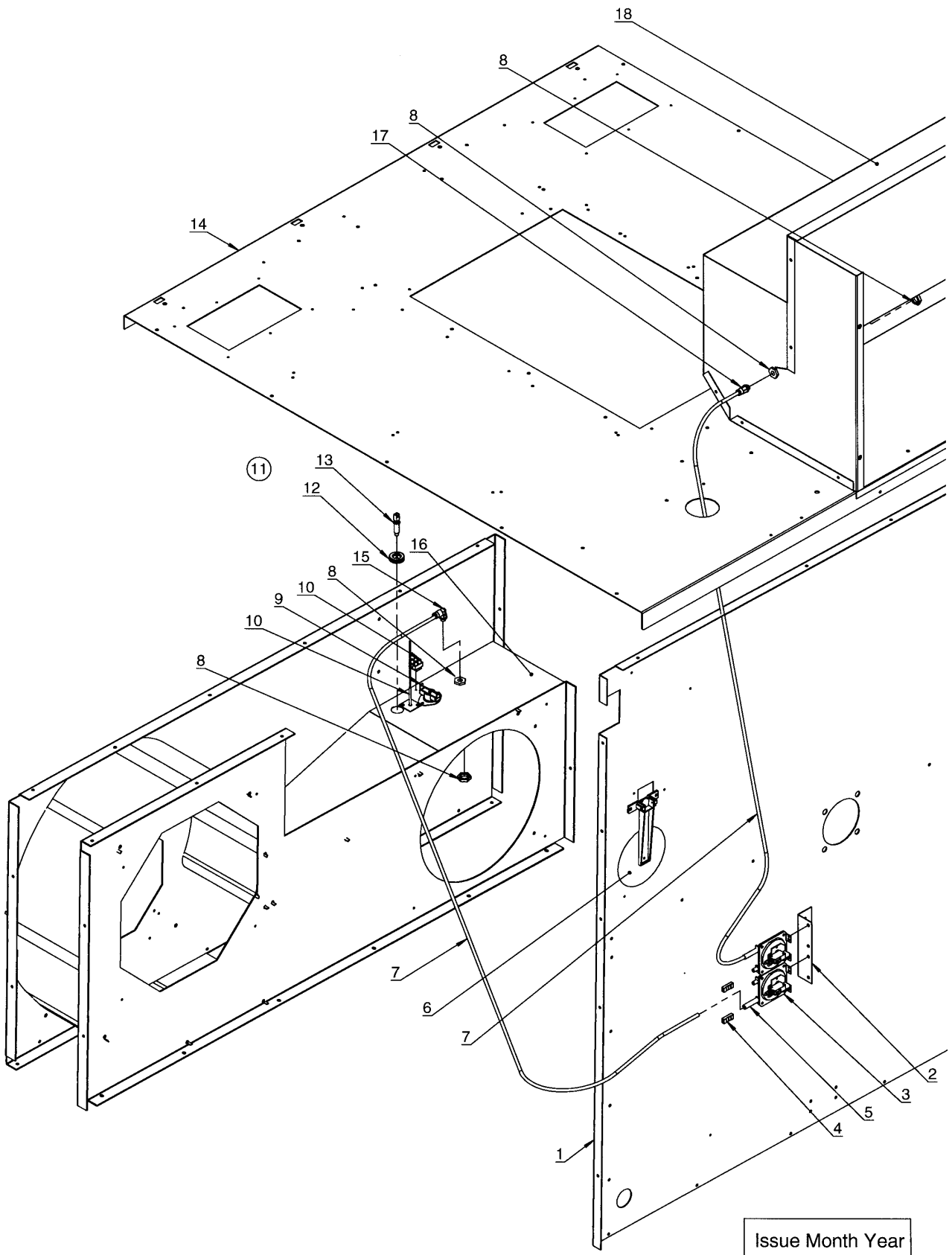
Item Article	Qua Qua	Art.No Réf. article	Description	Description	Info Info	Notes Remarques
1	1	487 2405-27	Component plate	Plaque composants	3	
2	1	487 0289-35	Rail	Rail	3	L=175mm
3	2	487 1384-04	End stop	Butée	3	
4	2	438 9637-31	Relay	Relais	1,2	
5	3	438 8761-06	Terminal block	Borne de raccordement	3	
6	1	487 0951-13	Ground terminal	Borne de terre	3	
7	1	487 2217-25	End plate	Panneau arrière	3	
8	2	487 0289-17	RC-unit	Diode RC	1,2	
9	1	487 0199-35	Cable set	Ensemble de câbles	3	-209000000490
	1	487 2466-63	Cable set	Ensemble de câbles	3	00900/0000002-
10	1	487 0199-33	Cable set	Ensemble de câbles	3	-20900/0000490
	1	487 2466-64	Cable set	Ensemble de câbles	3	00900/0000002-



20 00 39

Issue Month Year
04 10 06

TD100				Illustration	Issue	Month	Year
Heater unit, gas				Schéma	Issue	Month	Year
Élément chauffant, gaz				200039/4	16	8	2009
Item	Qua	Art.No	Description	Description	Info	Notes	
Article	Qua	Réf. article			Info	Remarques	
1	1	487 2400-95	Bracket	Support	3		
2	1	487 2400-97	Bracket	Support	3		
3	1	487 2408-36	Gas valve with pipe	Vanne de gaz avec tube	3	Complete	
	1	487 2408-38	Gas valve with pipe	Vanne de gaz avec tube	3	Complete TD100	
4	1	487 2405-15	•Pipe	•Tube	3		
	1	487 2408-39	•Pipe	•Tube	3	TD100	
5	2	487 1437-25	•Gas valve	•Vanne de gaz	3	110V	
6	2	487 1764-14	•Nipple	•Raccord	3	1/2"- 3/8"	
7	2	471 8400-06	•Nut	•Écrou	3	R3/8" 22NV H5	
8	2	487 1533-97	Air reducing plate	Tôle de réduction	3	Ø32 GLP	
9	1	487 2309-30	Ignition cable	Câble d'allumage	3	Gnist	
10	1	487 0068-20	Elektrode	Électrode	3		
11	1	487 1438-21	Cover	Capot	3		
12	1	487 0199-30	Cable set	Ensemble de câbles	3	-20900/0000490	
	1	487 2466-65	Cable set	Ensemble de câbles	3	00900/0000002-	
13	1	487 1438-25	Control box	Boîtier de contrôle	3	110V	
14	1	487 2408-48	Labyrinth	Labyrinthe	3	Complete	
15	1	487 1714-98	Box	Caisse	3	Complete -20900/0000490	
	1	487 0285-96	Box	Caisse	3	Complete 00900/0000002-	
16	1	487 2411-62	Cover plate	Plaque recouvrement	3		
17	1	487 2411-65	Rear panel	Plaque arrière	3		
18	1	487 2414-05	Top panel	Panneau supérieur	3	White	
	1	487 2414-40	Top panel	Panneau supérieur	3	Grey	
	1	487 2414-55	Top panel	Panneau supérieur	3	Stainless	
19	1	487 2411-05	Front plate	Tôle de façade	3	White	
	1	487 2411-06	Front plate	Tôle de façade	3	Red	
	1	487 2411-41	Front plate	Tôle de façade	3	Green	
	1	487 2411-55	Front plate	Tôle de façade	3	Stainless	
	1	487 2411-67	Front plate	Tôle de façade	3	Ivory	
	1	487 2411-73	Front plate	Tôle de façade	3	Beige	
20	1	487 2226-45	Type plade	Numéro série plque	3	Wascomat TD100	
21	2	487 2410-15	Side plate	Plaque de côté	3	White	
	2	487 2410-50	Side plate	Plaque de côté	3	Stainless	
	2	487 2410-80	Side plate	Plaque de côté	3	Grey	
22	1	487 2408-33	Thermistor element	Élément thermistor	1,2	Complete -20900/0000490	
23	1	762 7202-57	•Terminal block	•Borne de raccordement	3	2-pole -20900/0000490	
24	1	487 2406-00	•Fitting	•Garniture	3	-20900/0000490	
25	1	487 1535-04	•Thermistor element	•Élément thermistor	1,2	-20900/0000490	
* 26	1	487 2307-58	Rubber plug	Bouchon en caoutchouc	3	00900/0000002-	
27	1	487 0274-32	Sensor	Détecteur	1,2	PT100 00900/0000002-	
28	1	487 1697-08	Overheat protection	Protection supérieure	1,2	175°C	
29	2	487 2405-18	Gas burner	Radiateur à gaz	3		
30	1	487 2309-31	Cable	Câble	3		
31	1	487 0068-28	Sensor	Détecteur	3		
32	2	471 9853-80	Nozzle	Buse	3	Ø4,0 France/ Belgium	
	2	471 9853-54	Nozzle	Buse	3	Ø5,0 0-1999FT, GN	
	2	471 9853-76	Nozzle	Buse	3	Ø4,7 2000-3999FT, GN	
	2	471 9853-76	Nozzle	Buse	3	Ø4,7 4000-5999FT, GN	
	2	471 9853-53	Nozzle	Buse	3	Ø4,6 6000-8000FT, GN	
	2	471 9853-57	Nozzle	Buse	3	Ø3,1 0-1999FT, LPG	
	2	471 9853-52	Nozzle	Buse	3	Ø3,0 2000-3999FT, LPG	
	2	471 9853-91	Nozzle	Buse	3	Ø2,9 4000-5999FT, LPG	
	2	471 9853-91	Nozzle	Buse	3	Ø2,9 6000-8000FT, LPG	
33	1	487 1701-22	Cover	Couvercle	3		
34	1	487 2400-90	Bracket	Support	3		
35	1		Top panel	Panneau supérieur		See illustr. 200033, 200341	



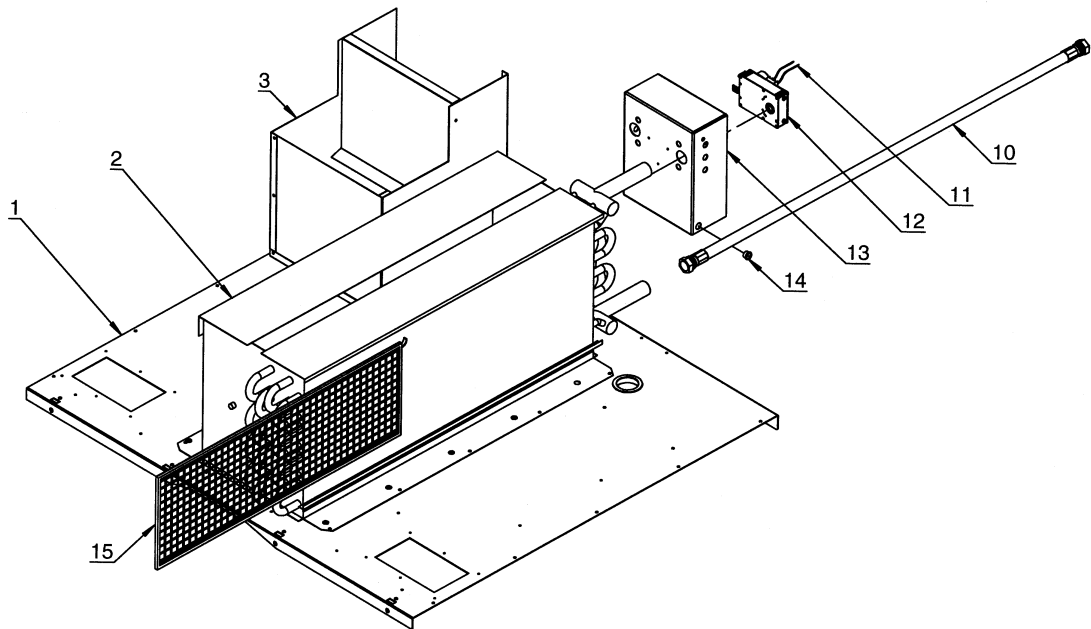
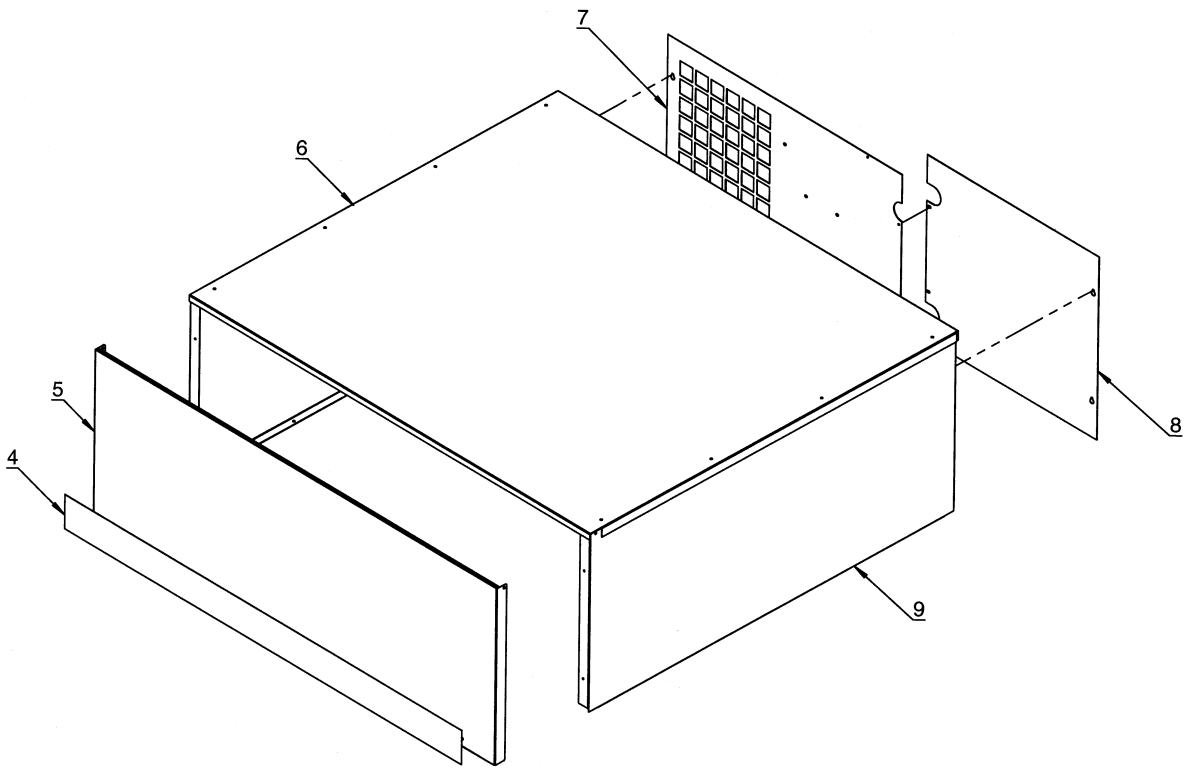
TD100

Gas components - Australia

Composants gaz - Australie

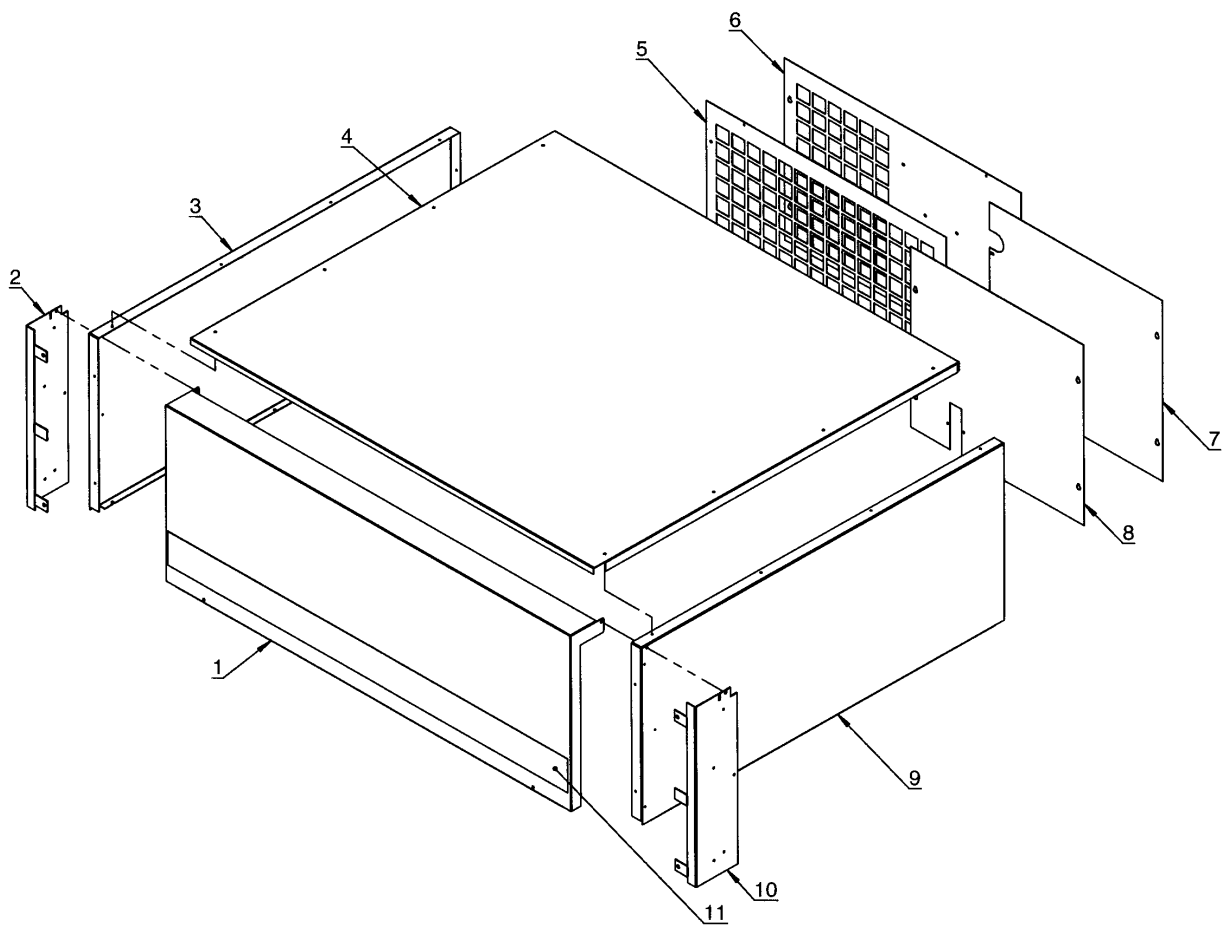
Illustration Issue Month Year
Schéma Issue Month Year
200144/2 5 1 2008

Item Article	Qua Qua	Art.No Réf. article	Description	Description	Info Info	Notes Remarques
1	1	487 2400-46	Rear panel	Plaque arrière	3	-20900/0000490
	1	487 2531-01	Rear panel	Plaque arrière	3	Selecta II 00900/0000002-
2	1	487 2330-10	Fitting	Garniture	3	
3	2	487 2330-11	Pressostat	Pressostat	3	
4	1	487 0324-71	Cable	Câble	3	-20900/0000490
	1	487 2466-57	Cable	Câble	3	Selecta II 00900/0000002-
5	2	487 7056-53	Flexible hose	Flexible	3	Silicone rubber
6	1	487 2328-85	Vacuum switch	Commutateur de vide	3	Complete
7	2	471 8151-90	Hose	Flexible	3	Per 1meter Nylon
8	2	471 8690-91	Grommet	Oeillet	3	
9	1	487 2317-84	Thermostat	Thermostat	1,2	90°C
10	1	487 1934-71	Thermistor element	Élément thermistor	1,2	Complete -20900/0000490
11	1	487 0285-13	Sensor	Détecteur	1,2	Complete Selecta II 00900/0000002-
12	1	125 8760-00	•Rubber membrane	•Membrane caoutchouc	1,2	Selecta II 00900/0000002-
13	1	487 0274-34	•Sensor	•Détecteur	1,2	Selecta II 00900/0000002-
14	1	487 2405-65	Top panel	Panneau supérieur	3	See illustr. 200033, 200341
15	1	471 8690-74	Elbow pipe	Tuyau angulaire	3	90°
16	1	487 2400-30	Top panel	Panneau supérieur	3	See illustr. 200037 -20900/0000490
	1	487 2528-01	Top panel	Panneau supérieur	3	Selecta II See illustr. 200348 00900/0000002-
17	1	471 8690-32	Joint piece	Raccord	3	Ø6,1/ 8"
18	1	487 2408-48	Labyrinth	Labyrinthe	3	Complete



Issue Month Year
06 02 07

TD100				Illustration	Issue	Month	Year
Heating unit, steam				Schéma	Issue	Month	Year
Unité chauffage, vapeur				200040/5	11	10	2008
Item Article	Qua Qua	Art.No Réf. article	Description	Description	Info Info	Notes Remarques	
1	1		Top panel	Panneau supérieur		See illustr. 200033, 200341	
2	1	487 2405-90	Hot water battery	Accumulateur d'eau chaude	3		
3	1	487 2408-52	Labyrinth	Labyrinthe	3	Complete	
4	1	487 2226-45	Type plate	Numéro série plaque	3	Wascomat TD100	
5	1	487 2411-05	Front plate	Tôle de façade	3	White	
	1	487 2411-06	Front plate	Tôle de façade	3	Red	
	1	487 2411-41	Front plate	Tôle de façade	3	Green	
	1	487 2411-55	Front plate	Tôle de façade	3	Stainless	
	1	487 2411-67	Front plate	Tôle de façade	3	Ivory	
	1	487 2411-73	Front plate	Tôle de façade	3	Beige	
6	1	487 2414-05	Top panel	Panneau supérieur	3	White	
	1	487 2414-40	Top panel	Panneau supérieur	3	Grey	
	1	487 2414-55	Top panel	Panneau supérieur	3	Stainless	
7	1	487 2411-64	Rear panel	Plaque arrière	3		
8	1	487 2411-63	Cover plate	Plaque recouvrement	3		
9	2	487 2410-15	Side plate	Plaque de côté	3	White	
	2	487 2410-50	Side plate	Plaque de côté	3	Stainless	
	2	487 2410-80	Side plate	Plaque de côté	3	Grey	
10	1	487 1600-13	Steam hose	Tuyau flexible de vapeur	1	1"x1200mm KIT COMPL.	
	2	487 2368-43	•Steam hose	•Tuyau flexible de vapeur	1		
	4	487 2368-45	•Coupling	•Embrayage	1	1" BSP	
	1	487 1600-14	Steam hose	Tuyau flexible de vapeur	1	1"x1200mm USA. KIT COMPL.	
	2	487 2368-43	•Steam hose	•Tuyau flexible de vapeur	1		
	2	487 2368-45	•Coupling	•Embrayage	1	1" BSP	
	2	487 2368-44	•Coupling	•Embrayage	1	1" NPT	
11	1	487 0199-31	Cable set	Ensemble de câbles	3	-20900/0000490	
	1	487 2466-61	Cable set	Ensemble de câbles	3	00900/0000002-	
12	1	487 1781-51	Damper motor	Moteur amortisseur	1,2		
13	1	487 2405-91	Cover	Couvercle	3		
14	1	762 1137-10	Cable gland	Passe-fil	3	Ø16	
15	1	487 2450-37	Filter	Filtre	1	Steel	



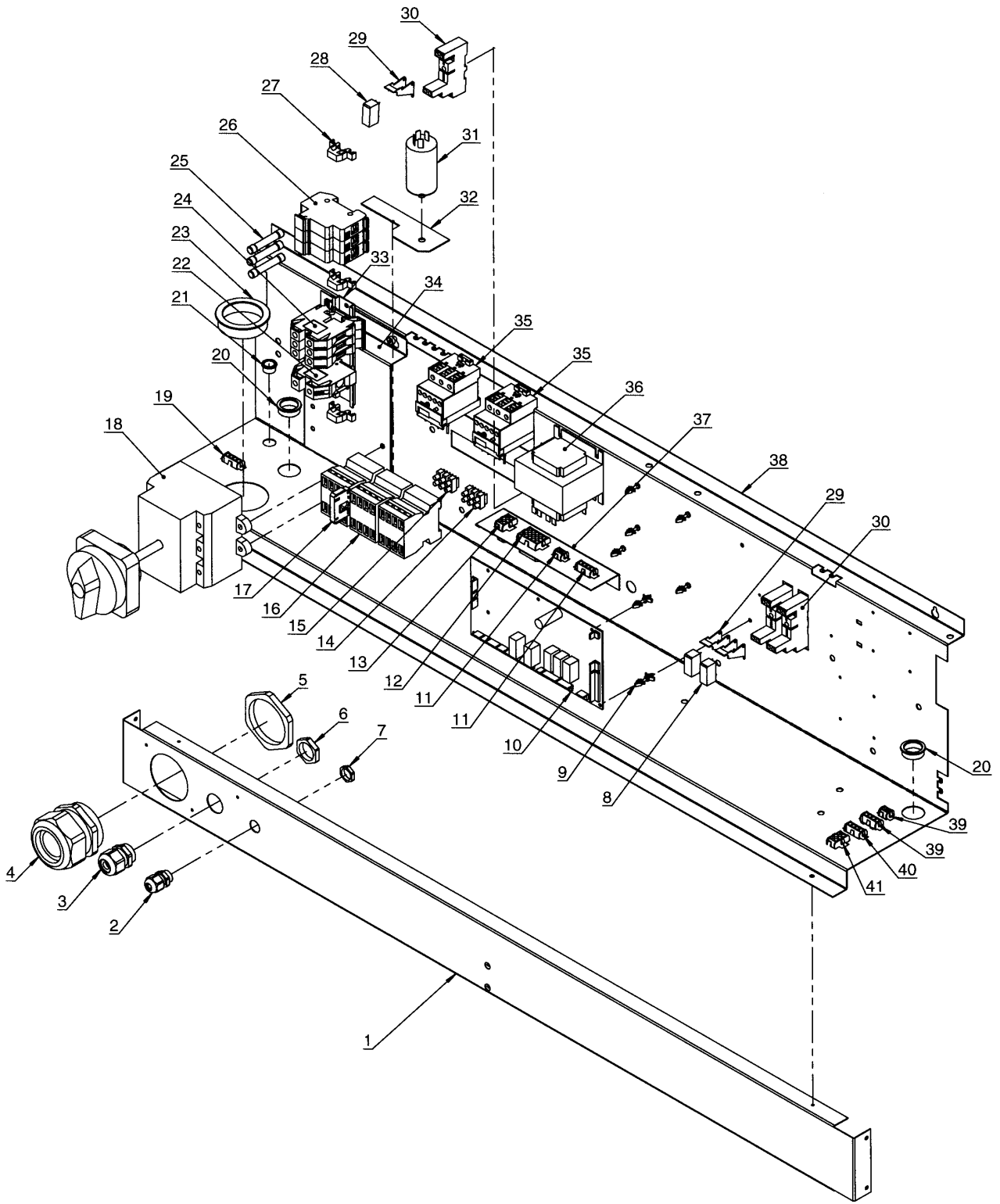
TD100

Box - heating unit Sliding Door

Caise - unite chauffage Sliding Door

Illustration Issue Month Year
Schéma Issue Month Year
200138/1 6 2 2007

Item Article	Qua Qua	Art.No Réf. article	Description	Description	Info Info	Notes Remarques
1	1	487 2438-55	Front	Devant	3	Stainless
2	1	487 2426-01	Panel	Panneau	3	Left
3	1	487 2443-05	Side	Côté	3	White Left
	1	487 2443-40	Side	Côté	3	Grey Left
	1	487 2443-55	Side	Côté	3	Stainless Left
4	1	487 2414-05	Top panel	Panneau supérieur	3	White
	1	487 2414-40	Top panel	Panneau supérieur	3	Grey
	1	487 2414-55	Top panel	Panneau supérieur	3	Stainless
5	1	487 2411-65	Rear panel	Plaque arrière	3	Electric + gas
6	1	487 2411-64	Rear panel	Plaque arrière	3	Steam
7	1	487 2411-63	Cover plate	Plaque recouvrement	3	Steam
8	1	487 2411-62	Cover plate	Plaque recouvrement	3	Electric + gas
9	1	487 2442-05	Side	Côté	3	White Right
	1	487 2442-40	Side	Côté	3	Grey Right
	1	487 2442-55	Side	Côté	3	Stainless Right
10	1	487 2426-00	Panel	Panneau	3	Right
11	1	487 2226-45	Type plade	Numéro série plque	3	Wascomat TD100



Issue	Month	Year
04	08	05

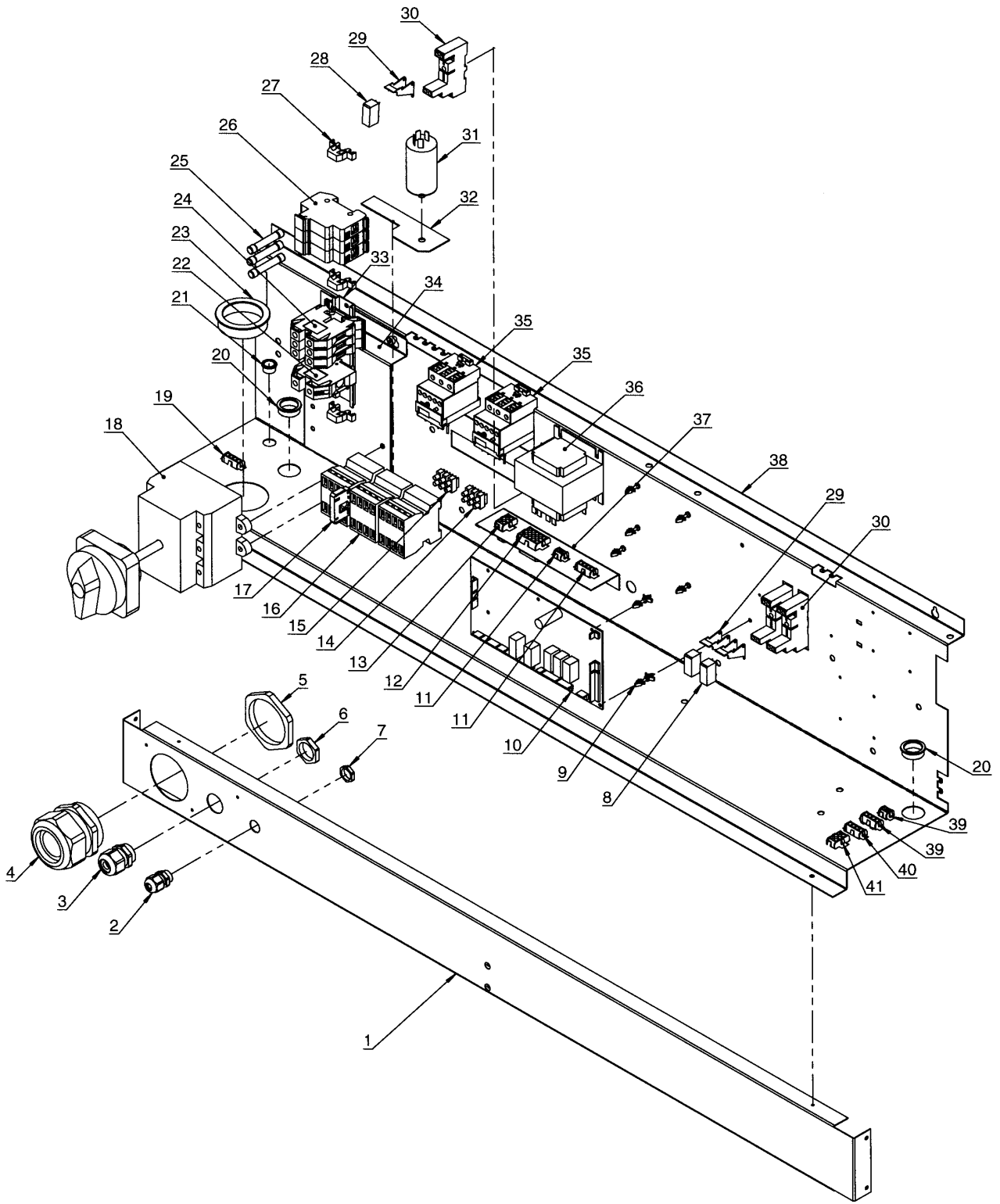
TD100 -20900/0000490

Connection unit, el

Connexion, électrique

Illustration Issue Month Year
Schéma Issue Month Year
200041/4 11 10 2006

Item Article	Qua Qua	Art.No Réf. article	Description	Description	Info Info	Notes Remarques
1	1	487 2400-60	Beam	Poutre	3	
2	1	487 0289-00	Cable glands	Support de câble	3	M16
3	1	487 0289-02	Cable glands	Support de câble	3	M25
4	1	487 0289-05	Cable glands	Support de câble	3	M63
5	1	487 0289-13	Lock-nut	Contre-écrou	3	M63
6	1	487 0289-10	Lock-nut	Contre-écrou	3	M25
7	1	487 0289-08	Lock-nut	Contre-écrou	3	M16
8	1	487 0289-38	Relay	Relais	1,2	Indicating lamp
	2	487 0289-38	Relay	Relais	1,2	Frequency
9	7	487 0191-23	Spacer element	Pièce écartement	3	
10	1	487 1935-03	Printed circuit board	Carte de circuit imprimé	1,2	Complete
	1	487 1935-06	Printed circuit board	Carte de circuit imprimé	1,2	OPL USA
11	1	487 0199-01	Cable set	Ensemble de câbles	3	Standard
	1	487 0199-08	Cable set	Ensemble de câbles	3	Frequency
	1	487 0199-21	Cable set	Ensemble de câbles	3	Emergency stop/door control
12	1	487 0199-03	Cable set	Ensemble de câbles	3	Drum motor + frequency
	1	487 0199-15	Cable set	Ensemble de câbles	3	P4-P12B-P18
	1	487 0199-32	Cable set	Ensemble de câbles	3	EI, P10
13	1	487 0199-04	Cable set	Ensemble de câbles	3	Switch
	1	487 0199-06	Cable set	Ensemble de câbles	3	Drum motor + frequency
	1	487 0199-29	Cable set	Ensemble de câbles	3	Non heated
14	1	487 2217-27	Terminal block	Borne de raccordement	3	Ext.control
15	1	487 2217-27	Terminal block	Borne de raccordement	3	Non heated
16	3	438 9636-11	Relay	Relais	1,2	120V 1AC/208-240V 1AC
17	1	487 1535-65	Catch	Blocage	1,2	-0304/17 -20900/17 USA 0312/106- 20900/106- USA
18	1	487 2217-32	Switch	Commutateur	1,2	400-480V 60kW
	1	487 0289-27	Switch	Commutateur	1,2	400-480V 72kW
19	1	487 0199-02	Cable set	Ensemble de câbles	3	Motor
	1	487 0199-05	Cable set	Ensemble de câbles	3	Blower motor + frequency
	1	487 0199-06	Cable set	Ensemble de câbles	3	Drum motor
20	2	762 1191-10	Cable gland	Passe-fil	3	Ø28
21	1	762 1137-10	Cable gland	Passe-fil	3	Ø16
22	1	487 0951-13	Ground terminal	Borne de terre	3	
23	1	487 1723-95	Cable gland	Passe-fil	3	Ø50
24	3	438 8761-06	Terminal block	Borne de raccordement	3	
25	3	487 0289-43	Fuse	Fusible	1,2	16A
	3	487 0289-44	Fuse	Fusible	1,2	20A
	3	487 0289-79	Fuse	Fusible	1,2	15A USA
	3	487 0289-45	Fuse	Fusible	1,2	20A USA
26	3	487 0289-42	Fuse holder	Porte-fusible	3	
27	2	487 1384-04	End stop	Butée	3	
28	1	487 0289-38	Relay	Relais	1,2	
29	3	487 0289-85	Clamp	Archet	3	
30	3	487 0289-81	Relay socket	Douille	3	
31	1	487 1535-79	X/Y capacitor	X/Y condensateur	1,2	
32	1	487 2405-44	Bracket	Support	3	Capacitor
33	1	487 0289-36	Rail	Rail	3	L=235mm 400-480V 60kW
	1	487 0289-34	Rail	Rail	3	L=153mm 400-480V 72kW
34	1	487 2405-68	Bracket	Console	3	400-480V 60kW
	1	487 2405-70	Bracket	Console	3	400-480V 72kW
35	RQ	487 0289-26	Thermal overload relay	Protection moteur relais	1,2	200-240V 50Hz
	RQ	487 0289-53	Thermal overload relay	Protection moteur relais	1,2	200-240V 60Hz
	RQ	487 0289-25	Thermal overload relay	Protection moteur relais	1,2	400-480V 50/60Hz
36	1	487 1714-57	Transformer	Transformateur	1,2	200-240V
	1	487 1714-56	Transformer	Transformateur	1,2	400-480V
37	1	487 2405-69	Bracket	Support	3	
38	1	487 2400-59	Connection plate	Plaque de connexion	3	
39	1	487 0199-05	Cable set	Ensemble de câbles	3	Blower motor + frequency



Issue	Month	Year
04	08	05

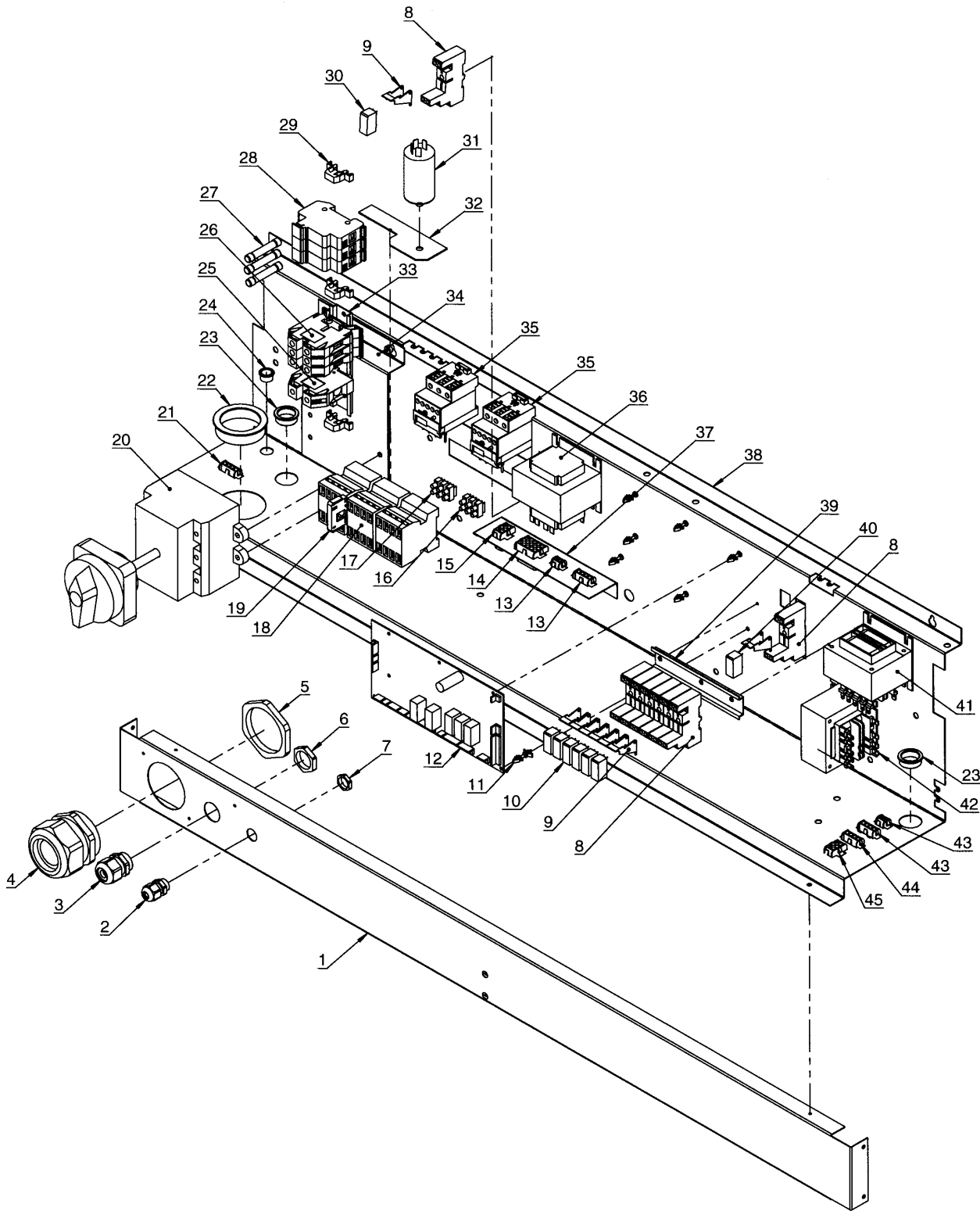
TD100 -20900/0000490

Connection unit, el

Connexion, électrique

Illustration Issue Month Year
Schéma Issue Month Year
200041/4 11 10 2006

Item Article	Qua Qua	Art.No Réf. article	Description	Description	Info Info	Notes Remarques
40	1	487 0199-02	Cable set	Ensemble de câbles	3	Motor
	1	487 0199-05	Cable set	Ensemble de câbles	3	Blower motor + frequency
	1	487 0199-06	Cable set	Ensemble de câbles	3	Drum motor
41	1	487 0199-03	Cable set	Ensemble de câbles	3	Blower motor + frequency
	1	487 0199-15	Cable set	Ensemble de câbles	3	P4-P12B-P18
	1	487 0199-32	Cable set	Ensemble de câbles	3	EI, P10



Issue	Month	Year
02	08	05

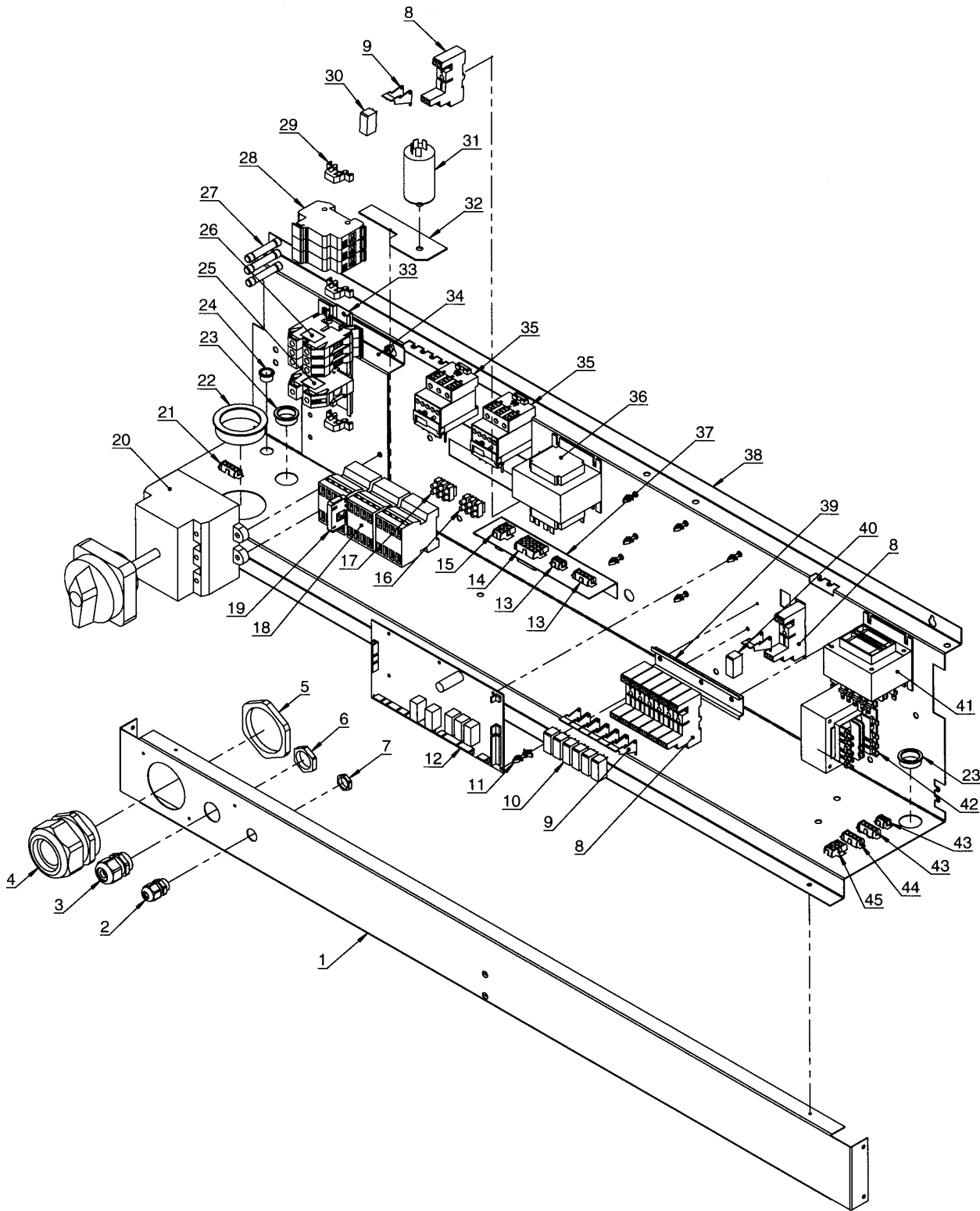
TD100 -20900/0000490

Connection unit - Sliding Door + Tilt, el

Connexion - Sliding Door + Inclinaison, électrique

Illustration	Issue	Month	Year
Schéma	Issue	Month	Year
200165/2	8	10	2006

Item Article	Qua Qua	Art.No Réf. article	Description	Description	Info Info	Notes Remarques
1	1	487 2400-60	Beam	Poutre	3	
2	1	487 0289-00	Cable glands	Support de câble	3	M16
3	1	487 0289-02	Cable glands	Support de câble	3	M25
4	1	487 0289-05	Cable glands	Support de câble	3	M63
5	1	487 0289-13	Lock-nut	Contre-écrou	3	M63
6	1	487 0289-10	Lock-nut	Contre-écrou	3	M25
7	1	487 0289-08	Lock-nut	Contre-écrou	3	M16
8	8	487 0289-81	Relay socket	Douille	3	
9	8	487 0289-85	Clamp	Archet	3	
10	6	487 0274-22	Relay	Relais	1,2	Sliding Door + Tilt
11	7	487 0191-23	Spacer element	Pièce écartement	3	
12	1	487 1935-03	Printed circuit board	Carte de circuit imprimé	1,2	Complete
	1	487 1935-06	Printed circuit board	Carte de circuit imprimé	1,2	OPL USA
13	1	487 0199-21	Cable set	Ensemble de câbles	3	Emergency stop/door control
	1	487 0199-25	Cable set	Ensemble de câbles	3	Sliding Door, left-hinged
	1	487 0199-26	Cable set	Ensemble de câbles	3	Sliding Door + Tilt, left-hinged
	1	487 0199-27	Cable set	Ensemble de câbles	3	Sliding Door, right-hinged
	1	487 0199-28	Cable set	Ensemble de câbles	3	Sliding Door + Tilt, right-hinged
14	1	487 0199-03	Cable set	Ensemble de câbles	3	Drum motor + frequency
	1	487 0199-15	Cable set	Ensemble de câbles	3	P4-P12B-P18
	1	487 0199-32	Cable set	Ensemble de câbles	3	EI, P10
15	1	487 0199-04	Cable set	Ensemble de câbles	3	Switch
	1	487 0199-06	Cable set	Ensemble de câbles	3	Drum motor + frequency
	1	487 0199-29	Cable set	Ensemble de câbles	3	Non heated
16	1	487 2217-27	Terminal block	Borne de raccordement	3	Ext.control
17	1	487 2217-27	Terminal block	Borne de raccordement	3	Non heated
18	3	438 9636-11	Relay	Relais	1,2	120V 1AC/208-240V 1AC
19	1	487 1535-65	Catch	Blocage	1,2	
20	1	487 2217-32	Switch	Commutateur	1,2	400-480V 60kW
	1	487 0289-27	Switch	Commutateur	1,2	400-480V 72kW
21	1	487 0199-02	Cable set	Ensemble de câbles	3	Motor
	1	487 0199-05	Cable set	Ensemble de câbles	3	Blower motor + frequency
	1	487 0199-06	Cable set	Ensemble de câbles	3	Drum motor
22	1	487 1723-95	Cable gland	Passe-fil	3	Ø50
23	2	762 1191-10	Cable gland	Passe-fil	3	Ø28
24	1	762 1137-10	Cable gland	Passe-fil	3	Ø16
25	1	487 0951-13	Ground terminal	Borne de terre	3	
26	3	438 8761-06	Terminal block	Borne de raccordement	3	
27	3	487 0289-43	Fuse	Fusible	1,2	16A
	3	487 0289-44	Fuse	Fusible	1,2	20A
	3	487 0289-79	Fuse	Fusible	1,2	15A USA
	3	487 0289-45	Fuse	Fusible	1,2	20A USA
28	3	487 0289-42	Fuse holder	Porte-fusible	3	
29	3	487 1384-04	End stop	Butée	3	
30	1	487 0289-38	Relay	Relais	1,2	
31	1	487 1535-79	X/Y capacitor	X/Y condensateur	1,2	
32	1	487 2405-44	Bracket	Support	3	Capacitor
33	1	487 0289-36	Rail	Rail	3	L=235mm 400-480V 60kW
	1	487 0289-34	Rail	Rail	3	L=153mm 400-480V 72kW
34	1	487 2405-68	Bracket	Console	3	400-480V 60kW
	1	487 2405-70	Bracket	Console	3	400-480V 72kW
35	RQ	487 0289-26	Thermal overload relay	Protection moteur relais	1,2	200-240V 50Hz
	RQ	487 0289-53	Thermal overload relay	Protection moteur relais	1,2	200-240V 60Hz
	RQ	487 0289-25	Thermal overload relay	Protection moteur relais	1,2	400-480V 50/60Hz
36	1	487 1714-57	Transformer	Transformateur	1,2	200-240V
	1	487 1714-56	Transformer	Transformateur	1,2	400-480V
37	1	487 2405-69	Bracket	Support	3	
38	1	487 2400-59	Connection plate	Plaque de connexion	3	
39	1	487 0289-34	Rail	Rail	3	L=153mm Sliding Door + Tilt



Issue	Month	Year
02	08	05

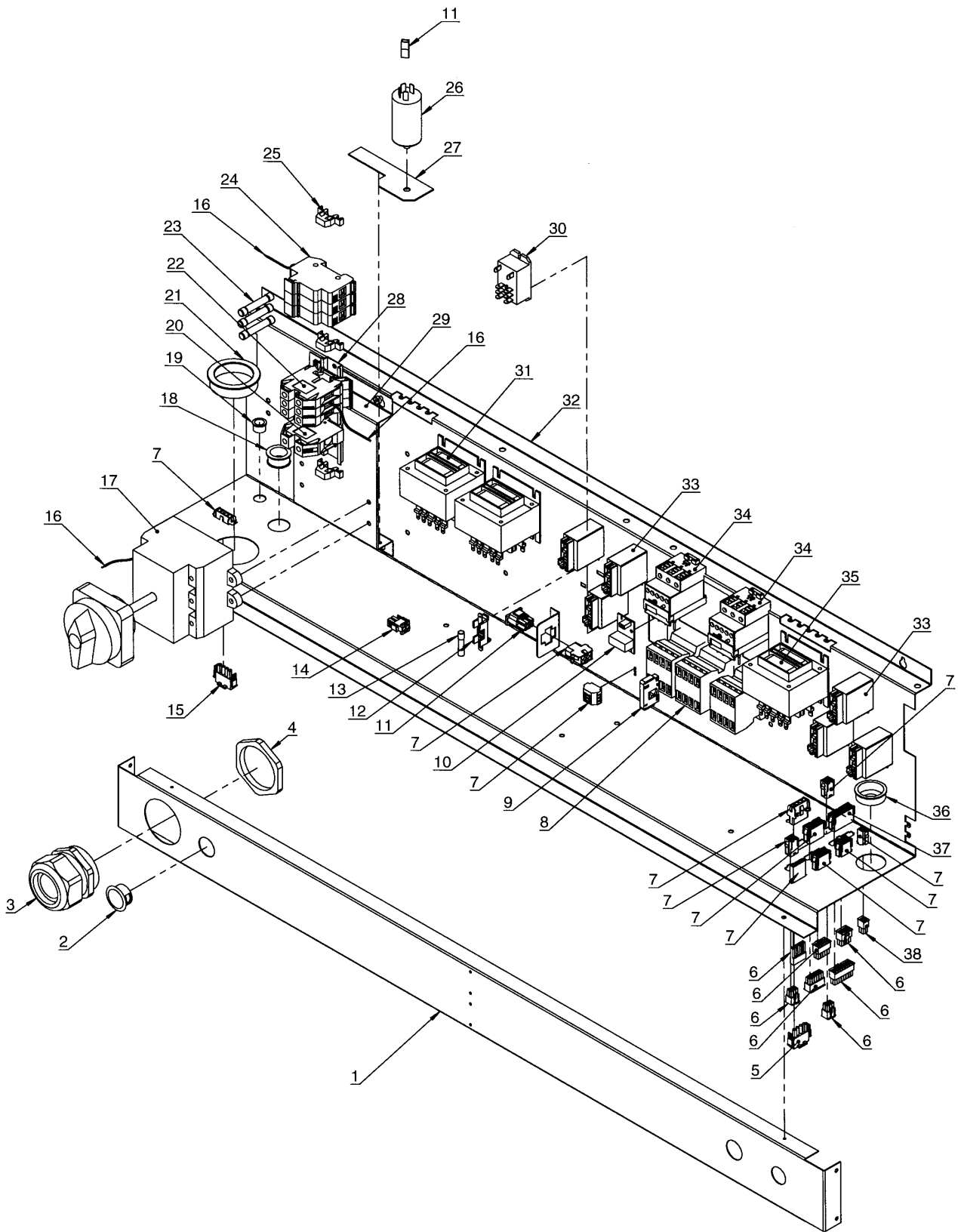
TD100 -20900/0000490

Connection unit - Sliding Door + Tilt, el

Connexion - Sliding Door + Inclinaison, électrique

Illustration Issue Month Year
Schéma Issue Month Year
200165/2 8 10 2006

Item Article	Qua Qua	Art.No Réf. article	Description	Description	Info Info	Notes Remarques
40	1	487 0274-22	Relay	Relais	3	Frequency
41	1	487 0274-13	Transformer	Transformateur	1,2	200-240V 3AC 50/60Hz, Sliding Door + tilt
42	2	487 0274-12	Transformer	Transformateur	1,2	400-480V 3AC 50/60Hz, Sliding Door + tilt
43	1	487 0199-05	Cable set	Ensemble de câbles	3	Blower motor + frequency
44	1	487 0199-02	Cable set	Ensemble de câbles	3	Motor
	1	487 0199-05	Cable set	Ensemble de câbles	3	Blower motor + frequency
	1	487 0199-06	Cable set	Ensemble de câbles	3	Drum motor
45	1	487 0199-03	Cable set	Ensemble de câbles	3	Drum motor + frequency
	1	487 0199-15	Cable set	Ensemble de câbles	3	P4-P12B-P18
	1	487 0199-32	Cable set	Ensemble de câbles	3	EI, P10



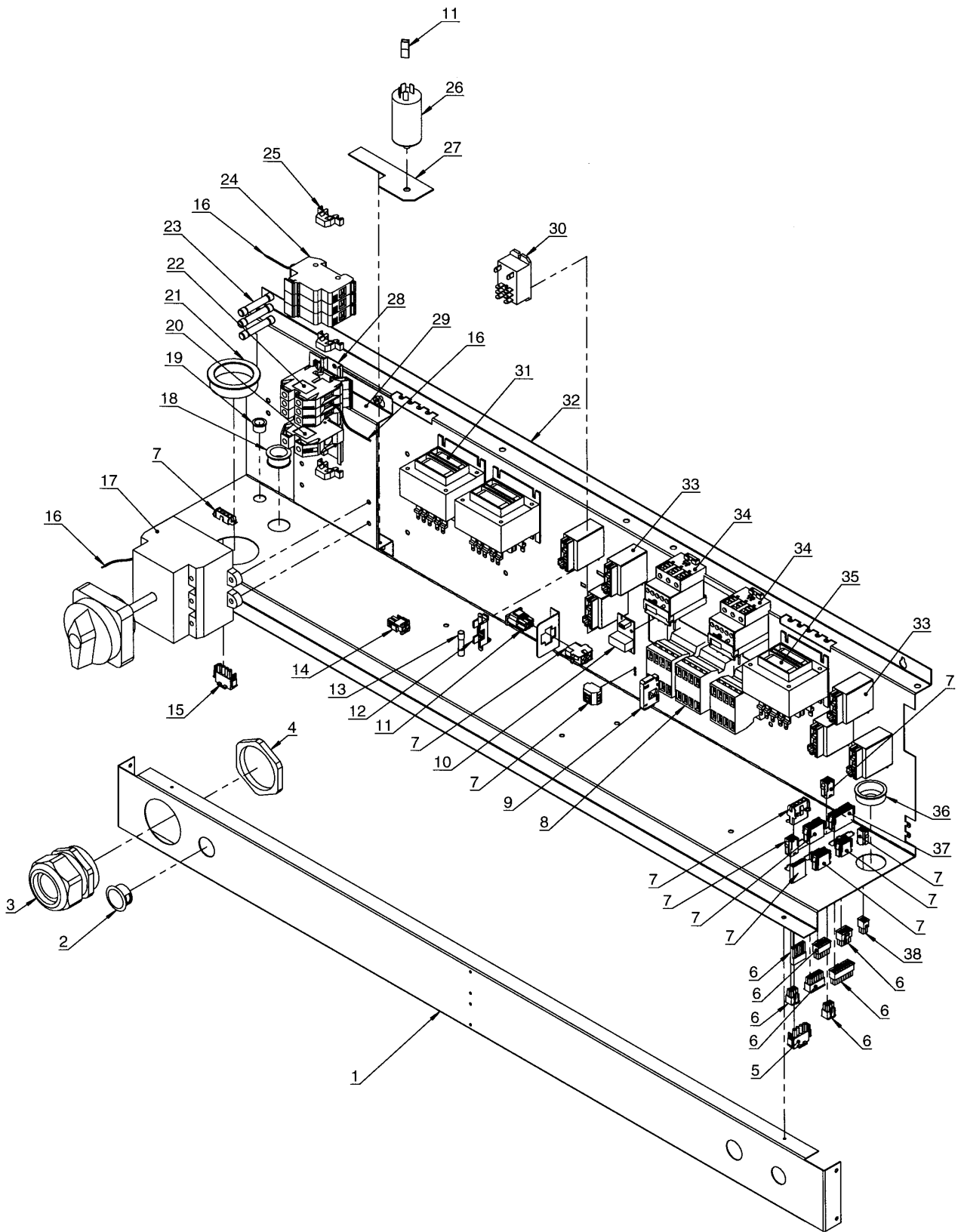
TD100 00900/0000002-

Connection unit, el Selecta II

Conexion, électrique Selecta II

Illustration Issue Month Year
Schéma Issue Month Year
200340/1 1 9 2006

Item Article	Qua Qua	Art.No Réf. article	Description	Description	Info Info	Notes Remarques
1	1	487 2550-01	Beam	Poutre	3	
2	1	471 7977-04	Blind plug	Écrou borgne	3	Ø28
3	1	487 0289-05	Cable glands	Support de câble	3	M63
4	1	487 0289-13	Lock-nut	Contre-écrou	3	M63
5	1	487 2466-50	Cable set	Ensemble de câbles	3	200-240V 3AC Motor
	1	487 2466-51	Cable set	Ensemble de câbles	3	400-480V 3AC Motor
	1	487 2466-55	Cable set	Ensemble de câbles	3	Frequency
6	1	487 2466-00	Cable set	Ensemble de câbles	3	Sliding Door + Tilt, left-hinged
	1	487 2466-01	Cable set	Ensemble de câbles	3	Sliding Door + Tilt, right-hinged
	1	487 2466-05	Cable set	Ensemble de câbles	3	Standard, left-hinged
	1	487 2466-06	Cable set	Ensemble de câbles	3	Standard, right-hinged
7	1	487 2466-20	Cable set	Ensemble de câbles	3	Tilt
	1	487 2466-21	Cable set	Ensemble de câbles	3	Standard + Sliding Door
	1	487 2466-23	Cable set	Ensemble de câbles	3	Standard + Sliding Door + frequency
8	3	438 9636-11	Relay	Relais	1,2	Standard + Sliding Door
	1	438 9636-11	Relay	Relais	1,2	Standard + tilt + frequency
9	1	487 1535-65	Catch	Blocage	3	
10	1	487 0279-51	Relay	Relais	1,2	24V DC Indicating lamp
11	1	487 2466-69	Cable set	Ensemble de câbles	3	X/Y capacitor
12	1	487 0274-14	Fuse holder	Porte-fusible	3	
13	1	487 0274-28	Melt fuse	Fusible	1,2	1,5A
14	1	487 2466-30	Cable set	Ensemble de câbles	3	50Hz Tilt
	1	487 2466-31	Cable set	Ensemble de câbles	3	60Hz Tilt
15	1	487 2466-50	Cable set	Ensemble de câbles	3	200-240V 3AC Blower motor
	1	487 2466-51	Cable set	Ensemble de câbles	3	400-480V 3AC Blower motor
	1	487 2466-52	Cable set	Ensemble de câbles	3	200-240V 3AC Frequency Blower motor
	1	487 2466-53	Cable set	Ensemble de câbles	3	400-480V 3AC Frequency Blower motor
16	1	487 2466-71	Cable set	Ensemble de câbles	3	Power supply
17	1	487 2217-32	Switch	Commutateur	1,2	400-480V 60kW
	1	487 0289-27	Switch	Commutateur	1,2	400-480V 72kW
18	1	762 1191-10	Cable gland	Passe-fil	3	Ø28
19	1	762 1137-10	Cable gland	Passe-fil	3	Ø16
20	1	487 0951-13	Ground terminal	Borne de terre	3	
21	1	487 1723-95	Cable gland	Passe-fil	3	Ø50
22	3	438 8761-06	Terminal block	Borne de raccordement	3	
23	3	487 0289-43	Fuse	Fusible	1,2	16A
	3	487 0289-44	Fuse	Fusible	1,2	20A
	3	487 0289-79	Fuse	Fusible	1,2	15A USA
	3	487 0289-45	Fuse	Fusible	1,2	20A USA
24	3	487 0289-42	Fuse holder	Porte-fusible	3	
25	3	487 1384-04	End stop	Butée	3	
26	1	487 1535-79	X/Y capacitor	X/Y condensateur	1,2	
27	1	487 2405-44	Bracket	Support	3	
28	1	487 0289-36	Rail	Rail	3	L=235mm 400-480V 60kW
	1	487 0289-34	Rail	Rail	3	L=153mm 400-480V 72kW
29	1	487 2405-68	Bracket	Console	3	400-480V 60kW
	1	487 2405-70	Bracket	Console	3	400-480V 72kW
30	1	487 0281-65	Power relay	Power relay	1,2	T92
31	2	487 0274-13	Transformer	Transformateur	1,2	200-240V 3AC 50Hz, tilt
	1	487 0274-13	Transformer	Transformateur	1,2	200-240V 3AC 60Hz, tilt
	2	487 0274-12	Transformer	Transformateur	1,2	400-480V 3AC 50Hz, tilt
	1	487 0274-12	Transformer	Transformateur	1,2	400-480V 3AC 60Hz, tilt
32	1	487 2830-01	Connection plate	Plaque de connexion	3	
33	3	487 0274-90	Power relay	Power relay	1,2	2-pole
34	1	487 0289-26	Thermal overload relay	Protection moteur relais	1,2	200-240V, standard + Sliding Door



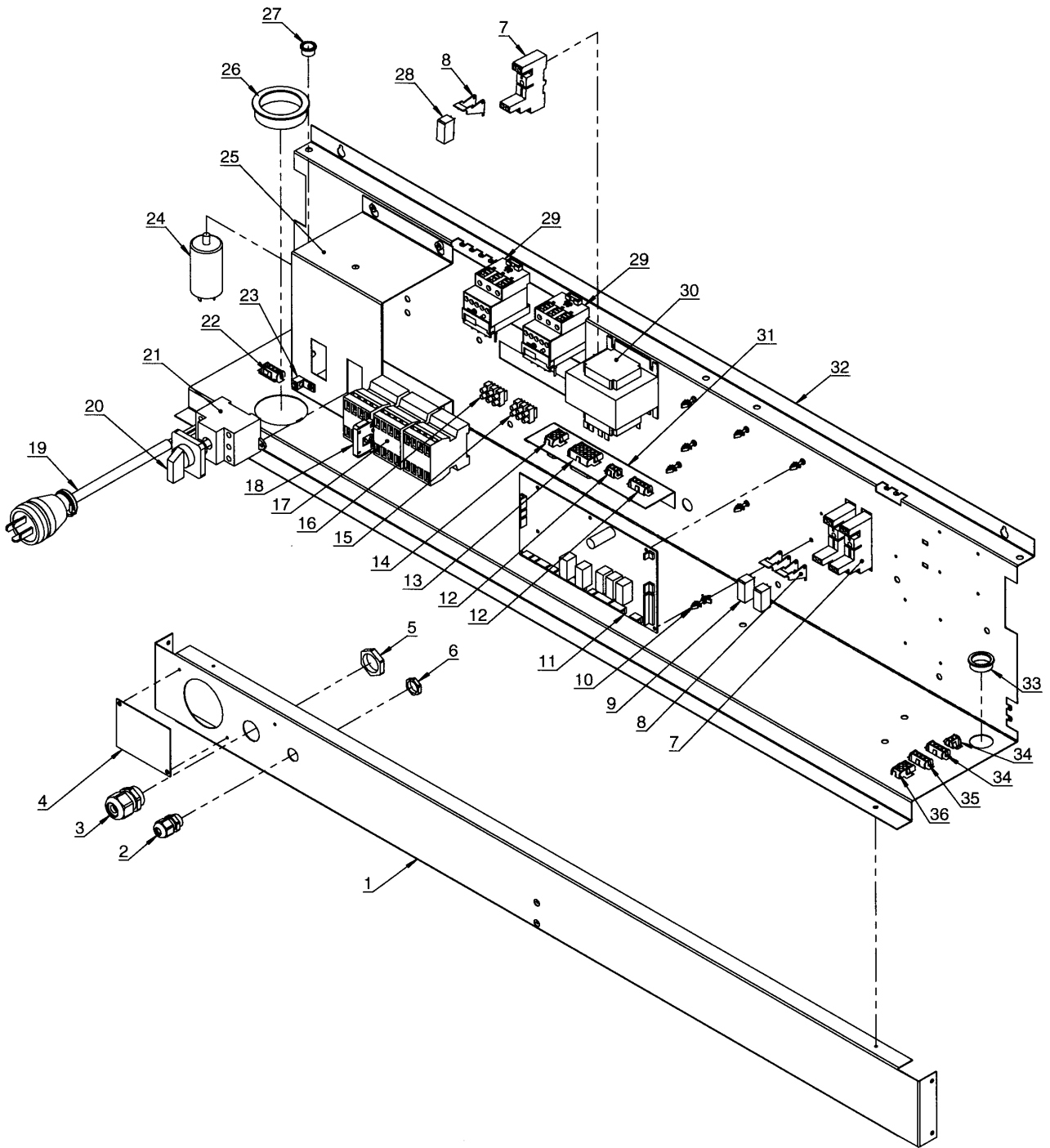
TD100 00900/0000002-

Connection unit, el Selecta II

Conexion, électrique Selecta II

Illustration Issue Month Year
Schéma Issue Month Year
200340/1 1 9 2006

Item Article	Qua Qua	Art.No Réf. article	Description	Description	Info Info	Notes Remarques
	2	487 0289-25	Thermal overload relay	Protection moteur relais	1,2	400-480V, standard + Slinding Door
	1	487 0289-25	Thermal overload relay	Protection moteur relais	1,2	400-480V, standard + Slinding Door + tilt + frequency
35	1	487 0289-47	Transformer	Transformateur	1,2	200-240V
	1	487 0289-46	Transformer	Transformateur	1,2	400-480V
36	1	762 1212-10	Cable gland	Passe-fil	3	Ø38
37	1	487 2466-62	Cable set	Ensemble de câbles	3	Electric
38	1	487 2466-55	Cable set	Ensemble de câbles	3	Frequency



Issue	Month	Year
05	08	05

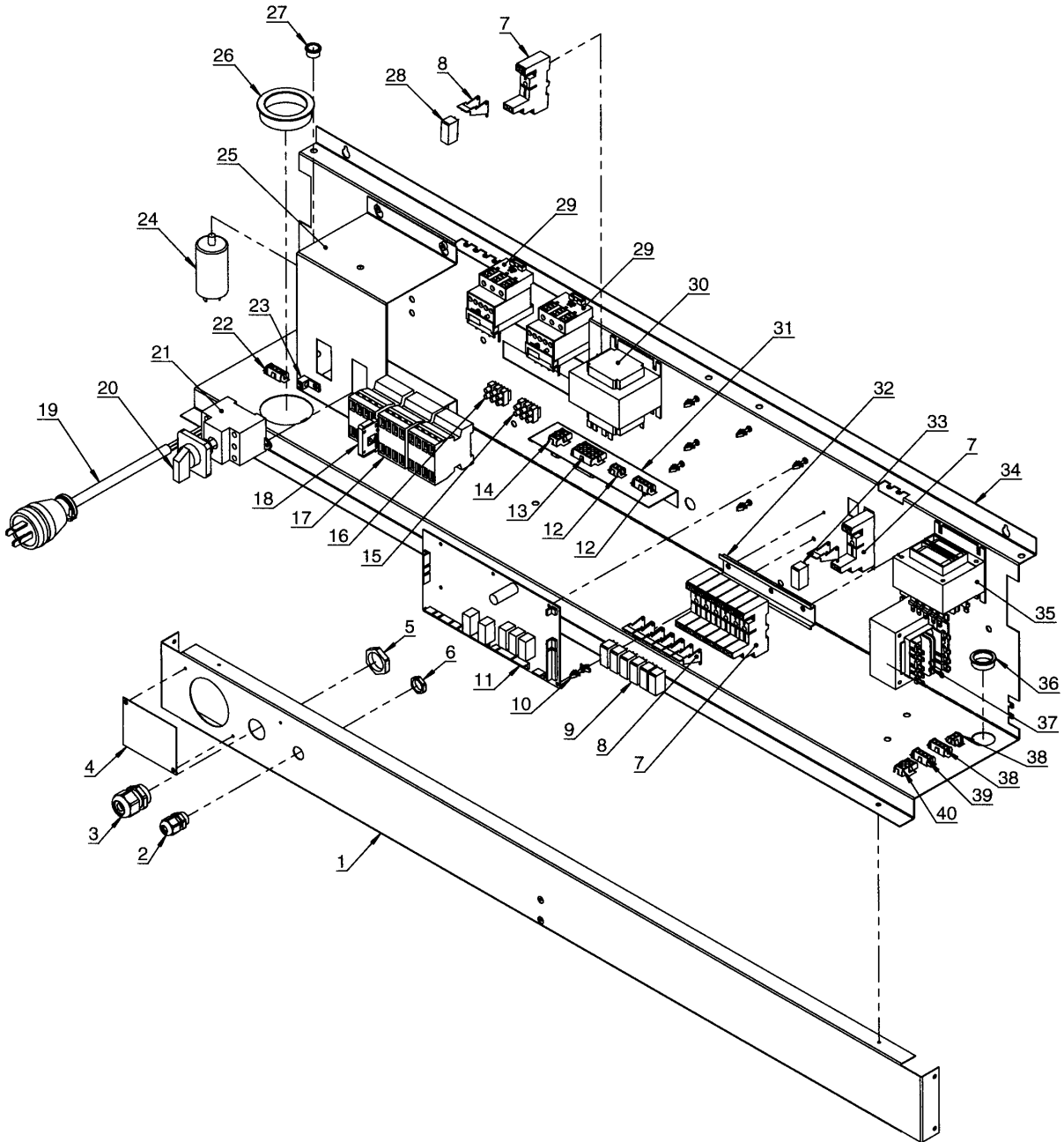
TD100 -20900/0000490

Connection unit - gas, steam

Connexion - gaz, vapeur

Illustration Issue Month Year
Schéma Issue Month Year
200042/5 11 10 2006

Item Article	Qua Qua	Art.No Réf. article	Description	Description	Info Info	Notes Remarques
1	1	487 2400-60	Beam	Poutre	3	
2	1	487 0289-00	Cable glands	Support de câble	3	M16
3	1	487 0289-02	Cable glands	Support de câble	3	M25
4	1	487 2405-33	Cover plate	Plaque recouvrement	3	
5	1	487 0289-10	Lock-nut	Contre-écrou	3	M25
6	1	487 0289-08	Lock-nut	Contre-écrou	3	M16
7	3	487 0289-81	Relay socket	Douille	3	
8	3	487 0289-85	Clamp	Archet	3	
9	1	487 0289-38	Relay	Relais	1,2	Indicating lamp
	2	487 0289-38	Relay	Relais	1,2	Frequency
10	7	487 0191-23	Spacer element	Pièce écartement	3	
11	1	487 1935-03	Printed circuit board	Carte de circuit imprimé	1,2	Complete
	1	487 1935-06	Printed circuit board	Carte de circuit imprimé	1,2	OPL USA
12	1	487 0199-01	Cable set	Ensemble de câbles	3	Standard
	1	487 0199-08	Cable set	Ensemble de câbles	3	Frequency
	1	487 0199-21	Cable set	Ensemble de câbles	3	Emergency stop/door control
13	1	487 0199-03	Cable set	Ensemble de câbles	3	Drum motor + frequency
	1	487 0199-15	Cable set	Ensemble de câbles	3	P4-P12B-P18
	1	487 0199-30	Cable set	Ensemble de câbles	3	Gas
	1	487 0199-31	Cable set	Ensemble de câbles	3	Steam
14	1	487 0199-04	Cable set	Ensemble de câbles	3	Switch
	1	487 0199-06	Cable set	Ensemble de câbles	3	Drum motor + frequency
	1	487 0199-29	Cable set	Ensemble de câbles	3	Non heated
15	1	487 2217-27	Terminal block	Borne de raccordement	3	Ext.control
16	1	487 2217-27	Terminal block	Borne de raccordement	3	Non heated
17	3	438 9636-11	Relay	Relais	3	120V 1AC/208-240V 1AC
18	1	487 1535-65	Catch	Blocage	1,2	-0304/17 -20900/17 USA 0312/106- 20900/106- USA
19	1	487 1702-45	Plug	Fiche	3	Japan
20	1	471 9678-94	Turning device	Dispositif	1,2	
21	1	487 2217-30	Switch	Commutateur	1,2	
22	1	487 0199-02	Cable set	Ensemble de câbles	3	Motor
	1	487 0199-05	Cable set	Ensemble de câbles	3	Blower motor + frequency
	1	487 0199-06	Cable set	Ensemble de câbles	3	Drum motor
23	1	487 0289-16	Ground terminal	Borne de terre	3	
24	1	487 1535-79	X/Y capacitor	X/Y condensateur	1,2	
25	1	487 2400-65	Bracket	Console	3	
26	1	487 1723-95	Cable gland	Passe-fil	3	Ø50
27	1	762 1137-10	Cable gland	Passe-fil	3	Ø16
28	1	487 0289-38	Relay	Relais	1,2	
29	RQ	487 0289-26	Thermal overload relay	Protection moteur relais	1,2	200-240V 50Hz
	RQ	487 0289-53	Thermal overload relay	Protection moteur relais	1,2	200-240V 60Hz
	RQ	487 0289-25	Thermal overload relay	Protection moteur relais	1,2	400-480V 50/60Hz
30	1	487 1714-57	Transformer	Transformateur	1,2	200-240V
	1	487 1714-56	Transformer	Transformateur	1,2	400-480V
31	1	487 2405-69	Bracket	Support	3	
32	1	487 2400-59	Connection plate	Plaque de connexion	3	
33	1	762 1191-10	Cable gland	Passe-fil	3	Ø28
34	1	487 0199-05	Cable set	Ensemble de câbles	3	Blower motor + frequency
35	1	487 0199-02	Cable set	Ensemble de câbles	3	Motor
	1	487 0199-05	Cable set	Ensemble de câbles	3	Blower motor + frequency
	1	487 0199-06	Cable set	Ensemble de câbles	3	Drum motor
36	1	487 0199-03	Cable set	Ensemble de câbles	3	Drum motor + frequency
	1	487 0199-15	Cable set	Ensemble de câbles	3	P4-P12B-P18
	1	487 0199-30	Cable set	Ensemble de câbles	3	Gas
	1	487 0199-31	Cable set	Ensemble de câbles	3	Steam



Issue	Month	Year
03	08	05

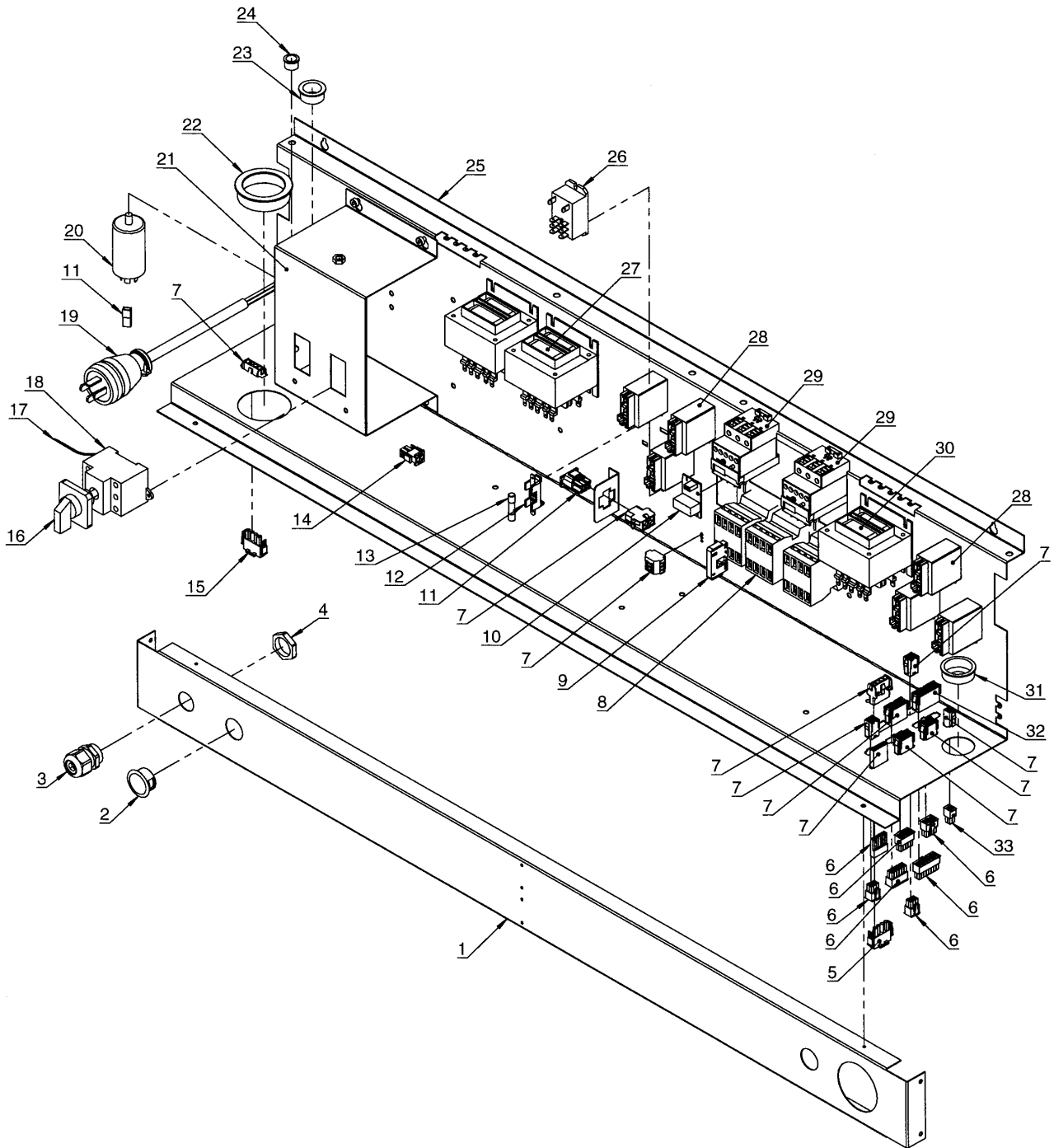
TD100 -20900/0000490

Connection unit - Sliding Door + Tilt, gas + steam

Connexion - Sliding Door + Inclinaison, gaz + vapeur

Illustration Issue Month Year
Schéma Issue Month Year
200166/3 8 10 2006

Item Article	Qua Qua	Art.No Réf. article	Description	Description	Info Info	Notes Remarques
1	1	487 2400-60	Beam	Poutre	3	
2	1	487 0289-00	Cable glands	Support de câble	3	M16
3	1	487 0289-02	Cable glands	Support de câble	3	M25
4	1	487 2405-33	Cover plate	Plaque recouvrement	3	
5	1	487 0289-10	Lock-nut	Contre-écrou	3	M25
6	1	487 0289-08	Lock-nut	Contre-écrou	3	M16
7	8	487 0289-81	Relay socket	Douille	3	
8	8	487 0289-85	Clamp	Archet	3	
9	5	487 0274-22	Relay	Relais	1,2	Sliding Door + Tilt
10	7	487 0191-23	Spacer element	Pièce écartement	3	
11	1	487 1935-03	Printed circuit board	Carte de circuit imprimé	1,2	Complete
	1	487 1935-06	Printed circuit board	Carte de circuit imprimé	1,2	OPL USA
12	1	487 0199-01	Cable set	Ensemble de câbles	3	Standard
	1	487 0199-08	Cable set	Ensemble de câbles	3	Frequency
	1	487 0199-21	Cable set	Ensemble de câbles	3	Emergency stop/door control
13	1	487 0199-03	Cable set	Ensemble de câbles	3	Drum motor + frequency
	1	487 0199-15	Cable set	Ensemble de câbles	3	P4-P12B-P18
	1	487 0199-30	Cable set	Ensemble de câbles	3	Gas
	1	487 0199-31	Cable set	Ensemble de câbles	3	Steam
14	1	487 0199-04	Cable set	Ensemble de câbles	3	Switch
	1	487 0199-06	Cable set	Ensemble de câbles	3	Drum motor + frequency
	1	487 0199-29	Cable set	Ensemble de câbles	3	Non heated
15	1	487 2217-27	Terminal block	Borne de raccordement	3	Ext.control
16	1	487 2217-27	Terminal block	Borne de raccordement	3	Non heated
17	3	438 9636-11	Relay	Relais	1,2	120V 1AC/208-240V 1AC
18	1	487 1535-65	Catch	Blocage	1,2	
19	1	487 1702-45	Plug	Fiche	3	Japan
20	1	471 9678-94	Turning device	Dispositif	1,2	
21	1	487 2217-30	Switch	Commutateur	1,2	
22	1	487 0199-02	Cable set	Ensemble de câbles	3	Motor
	1	487 0199-05	Cable set	Ensemble de câbles	3	Blower motor + frequency
	1	487 0199-06	Cable set	Ensemble de câbles	3	Drum motor
23	1	487 0289-16	Ground terminal	Borne de terre	3	
24	1	487 1535-79	X/Y capacitor	X/Y condensateur	1,2	
25	1	487 2400-65	Bracket	Console	3	
26	1	487 1723-95	Cable gland	Passe-fil	3	Ø50
27	1	762 1137-10	Cable gland	Passe-fil	3	Ø16
28	1	487 0289-38	Relay	Relais	1,2	
29	RQ	487 0289-26	Thermal overload relay	Protection moteur relais	1,2	200-240V 50Hz
	RQ	487 0289-53	Thermal overload relay	Protection moteur relais	1,2	200-240V 60Hz
	RQ	487 0289-25	Thermal overload relay	Protection moteur relais	1,2	400-480V 50/60Hz
30	1	487 1714-57	Transformer	Transformateur	1,2	200-240V
	1	487 1714-56	Transformer	Transformateur	1,2	400-480V
31	1	487 2405-69	Bracket	Support	3	
32	1	487 0289-34	Rail	Rail	3	L=153mm Sliding Door + Tilt
33	1	487 0274-22	Relay	Relais	1,2	Frequency
34	1	487 2400-59	Connection plate	Plaque de connexion	3	
35	1	487 0274-13	Transformer	Transformateur	1,2	Sliding Door + Tilt
36	1	762 1191-10	Cable gland	Passe-fil	3	Ø28
37	2	487 0274-12	Transformer	Transformateur	1,2	Sliding Door + Tilt
38	1	487 0199-05	Cable set	Ensemble de câbles	3	Blower motor + frequency
39	1	487 0199-02	Cable set	Ensemble de câbles	3	Motor
	1	487 0199-05	Cable set	Ensemble de câbles	3	Blower motor + frequency
	1	487 0199-06	Cable set	Ensemble de câbles	3	Drum motor
40	1	487 0199-03	Cable set	Ensemble de câbles	3	Drum motor + frequency
	1	487 0199-05	Cable set	Ensemble de câbles	3	Blower motor + frequency
	1	487 0199-06	Cable set	Ensemble de câbles	3	Drum motor



TD100 00900/0000002-

Connection unit - gas, steam Selecta II

Connexion - gaz, vapeur Selecta II

Illustration Issue Month Year
Schéma Issue Month Year
200350/1 2 2 2007

Item Article	Qua Qua	Art.No Réf. article	Description	Description	Info Info	Notes Remarques
1	1	487 2550-01	Beam	Poutre	3	
2	1	471 7977-04	Blind plug	Écrou borgne	3	Ø28
3	1	487 0289-02	Cable glands	Support de câble	3	M25
4	1	487 0289-10	Lock-nut	Contre-écrou	3	M25
5	1	487 2466-50	Cable set	Ensemble de câbles	3	200-240V 3AC Motor
	1	487 2466-51	Cable set	Ensemble de câbles	3	400-480V 3AC Motor
	1	487 2466-55	Cable set	Ensemble de câbles	3	Frequency
6	1	487 2466-00	Cable set	Ensemble de câbles	3	Sliding Door + Tilt, left-hinged
	1	487 2466-01	Cable set	Ensemble de câbles	3	Sliding Door + Tilt, right-hinged
	1	487 2466-05	Cable set	Ensemble de câbles	3	Standard, left-hinged
	1	487 2466-06	Cable set	Ensemble de câbles	3	Standard, right-hinged
7	1	487 2466-20	Cable set	Ensemble de câbles	3	Tilt
	1	487 2466-21	Cable set	Ensemble de câbles	3	Standard + Sliding Door
	1	487 2466-23	Cable set	Ensemble de câbles	3	Standard + Sliding Door + frequency
8	3	438 9636-11	Relay	Relais	1,2	Standard + Sliding Door
	1	438 9636-11	Relay	Relais	1,2	Standard + tilt + frequency
9	1	487 1535-65	Catch	Blocage	3	
10	1	487 0279-51	Relay	Relais	1,2	24V DC Indicating lamp
11	1	487 2466-69	Cable set	Ensemble de câbles	3	X/Y capacitor
12	1	487 0274-14	Fuse holder	Porte-fusible	3	
13	1	487 0274-28	Melt fuse	Fusible	1,2	1,5A
14	1	487 2466-30	Cable set	Ensemble de câbles	3	50Hz Tilt
	1	487 2466-31	Cable set	Ensemble de câbles	3	60Hz Tilt
15	1	487 2466-50	Cable set	Ensemble de câbles	3	200-240V 3AC Blower motor
	1	487 2466-51	Cable set	Ensemble de câbles	3	400-480V 3AC Blower motor
	1	487 2466-52	Cable set	Ensemble de câbles	3	200-240V 3AC Frequency Blower motor
	1	487 2466-53	Cable set	Ensemble de câbles	3	400-480V 3AC Frequency Blower motor
16	1	471 9678-94	Turning device	Dispositif	3	
17	1	487 2466-71	Cable set	Ensemble de câbles	3	Power supply
18	1	487 2217-30	Switch	Commutateur	1,2	
19	1	487 1702-45	Plug	Fiche	3	Japan
20	1	487 1535-79	X/Y capacitor	X/Y condensateur	1,2	
21	1	487 2400-65	Bracket	Console	3	
22	1	487 1723-95	Cable gland	Passe-fil	3	Ø50
23	1	762 1191-10	Cable gland	Passe-fil	3	Ø28
24	1	762 1137-10	Cable gland	Passe-fil	3	Ø16
25	1	487 2830-01	Connection plate	Plaque de connexion	3	
26	1	487 0281-65	Power relay	Power relay	1,2	T92
27	2	487 0274-13	Transformer	Transformateur	1,2	200-240V 3AC 50Hz, tilt
	1	487 0274-13	Transformer	Transformateur	1,2	200-240V 3AC 60Hz, tilt
	2	487 0274-12	Transformer	Transformateur	1,2	400-480V 3AC 50Hz, tilt
	1	487 0274-12	Transformer	Transformateur	1,2	400-480V 3AC 60Hz, tilt
28	3	487 0274-90	Power relay	Power relay	1,2	Standard + Sliding Door + frequency
	6	487 0274-90	Power relay	Power relay	1,2	Standard + tilt + frequency
29	1	487 0289-26	Thermal overload relay	Protection moteur relais	1,2	200-240V, standard + Sliding Door
	2	487 0289-25	Thermal overload relay	Protection moteur relais	1,2	400-480V, standard + Sliding Door + tilt + frequency
30	1	487 0289-47	Transformer	Transformateur	1,2	200-240V
	1	487 0289-46	Transformer	Transformateur	1,2	400-480V
31	1	762 1212-10	Cable gland	Passe-fil	3	Ø38
32	1	487 2466-61	Cable set	Ensemble de câbles	3	Steam
	1	487 2466-65	Cable set	Ensemble de câbles	3	Gas
33	1	487 2466-55	Cable set	Ensemble de câbles	3	Frequency

Numerical index/Numerical index

Art.No/Réf. article	Page/Page	Art.No/Réf. article	Page/Page	Art.No/Réf. article	Page/Page	Art.No/Réf. article	Page/Page
125 8760-00	53	472 7414-01	53	487 0199-26	71	487 0285-96	59
125 8760-00	61	487 0068-20	59	487 0199-27	71	487 0285-97	11
432 2620-06	7	487 0068-28	59	487 0199-28	71	487 0285-98	11
432 2620-07	7	487 0098-12	37	487 0199-29	67	487 0285-99	11
432 2620-08	7	487 0098-12	39	487 0199-29	71	487 0286-00	11
432 2620-09	7	487 0101-30	51	487 0199-29	79	487 0286-01	11
432 2620-09	11	487 0101-30	53	487 0199-29	81	487 0286-02	11
438 8156-01*	9	487 0191-23	67	487 0199-30	59	487 0286-03	11
438 8156-01*	11	487 0191-23	71	487 0199-30	79	487 0286-04	11
438 8761-06	57	487 0191-23	79	487 0199-30	81	487 0286-05	11
438 8761-06	67	487 0191-23	81	487 0199-31	63	487 0286-06	11
438 8761-06	71	487 0191-28	29	487 0199-31	79	487 0286-07	11
438 8761-06	75	487 0199-01	67	487 0199-31	81	487 0286-08	11
438 9636-11	67	487 0199-01	79	487 0199-32	55	487 0289-00	67
438 9636-11	71	487 0199-01	81	487 0199-32	67	487 0289-00	71
438 9636-11	75	487 0199-02	67	487 0199-32	69	487 0289-00	79
438 9636-11	79	487 0199-02	69	487 0199-32	71	487 0289-00	81
438 9636-11	81	487 0199-02	71	487 0199-32	73	487 0289-02	67
438 9636-11	83	487 0199-02	73	487 0199-33	57	487 0289-02	71
438 9637-31	57	487 0199-02	79	487 0199-35	57	487 0289-02	79
471 2068-48	7	487 0199-02	81	487 0199-42	47	487 0289-02	81
471 2068-48	35	487 0199-03	67	487 0199-48	41	487 0289-02	83
471 2068-48	45	487 0199-03	69	487 0199-49	41	487 0289-05	67
471 2068-48	51	487 0199-03	71	487 0199-51	17	487 0289-05	71
471 7864-05	11	487 0199-03	73	487 0199-53	21	487 0289-05	75
471 7977-04	75	487 0199-03	79	487 0199-53	25	487 0289-08	67
471 7977-04	83	487 0199-03	81	487 0199-54	21	487 0289-08	71
471 8151-90	61	487 0199-04	67	487 0199-54	25	487 0289-08	79
471 8400-06	59	487 0199-04	71	487 0215-72	7	487 0289-08	81
471 8690-32	61	487 0199-04	79	487 0215-73	29	487 0289-10	67
471 8690-74	61	487 0199-04	81	487 0215-81	43	487 0289-10	71
471 8690-91	61	487 0199-05	67	487 0215-82	43	487 0289-10	79
471 8750-17	19	487 0199-05	69	487 0274-12	73	487 0289-10	81
471 8750-17	23	487 0199-05	71	487 0274-12	75	487 0289-10	83
471 8750-17	27	487 0199-05	73	487 0274-12	81	487 0289-13	67
471 8750-18	19	487 0199-05	79	487 0274-12	83	487 0289-13	71
471 8750-18	23	487 0199-05	81	487 0274-13	73	487 0289-13	75
471 8750-18	27	487 0199-06	67	487 0274-13	75	487 0289-16	79
471 9628-32	21	487 0199-06	69	487 0274-13	81	487 0289-16	81
471 9628-32	23	487 0199-06	71	487 0274-13	83	487 0289-17	57
471 9628-32	25	487 0199-06	73	487 0274-14	75	487 0289-25	67
471 9628-32	27	487 0199-06	79	487 0274-14	83	487 0289-25	71
471 9628-70	21	487 0199-06	81	487 0274-22	71	487 0289-25	77
471 9628-70	23	487 0199-08	67	487 0274-22	73	487 0289-25	79
471 9628-70	25	487 0199-08	79	487 0274-22	81	487 0289-25	81
471 9628-70	27	487 0199-08	81	487 0274-28	75	487 0289-25	83
471 9628-71	25	487 0199-10	43	487 0274-28	83	487 0289-26	67
471 9628-71	27	487 0199-11	43	487 0274-32	55	487 0289-26	71
471 9628-75	7	487 0199-12	43	487 0274-32	59	487 0289-26	75
471 9628-75	21	487 0199-13	43	487 0274-34	53	487 0289-26	79
471 9628-75	23	487 0199-15	67	487 0274-34	61	487 0289-26	81
471 9628-75	25	487 0199-15	69	487 0274-49	11	487 0289-26	83
471 9628-75	27	487 0199-15	71	487 0274-49	23	487 0289-27	67
471 9678-94	79	487 0199-15	73	487 0274-49	27	487 0289-27	71
471 9678-94	81	487 0199-15	79	487 0274-49	35	487 0289-27	75
471 9678-94	83	487 0199-15	81	487 0274-90	75	487 0289-34	67
471 9853-52	59	487 0199-16	45	487 0274-90	83	487 0289-34	71
471 9853-53	59	487 0199-18	21	487 0279-51	75	487 0289-34	75
471 9853-54	59	487 0199-18	25	487 0279-51	83	487 0289-34	81
471 9853-57	59	487 0199-20	17	487 0281-16	19	487 0289-35	57
471 9853-76	59	487 0199-21	7	487 0281-16	23	487 0289-36	67
471 9853-80	59	487 0199-21	67	487 0281-16	27	487 0289-36	71
471 9853-91	59	487 0199-21	71	487 0281-65	75	487 0289-36	75
472 7414-01	9	487 0199-21	79	487 0281-65	83	487 0289-38	67
472 7414-01	11	487 0199-21	81	487 0285-13	53	487 0289-38	71
472 7414-01	51	487 0199-25	71	487 0285-13	61	487 0289-38	79

Numerical index/Numerical index

Art.No/Réf. article	Page/Page	Art.No/Réf. article	Page/Page	Art.No/Réf. article	Page/Page	Art.No/Réf. article	Page/Page
487 0289-38	81	487 0289-81	67	487 1694-78	39	487 1897-05	39
487 0289-42	67	487 0289-81	71	487 1695-48	43	487 1898-10	7
487 0289-42	71	487 0289-81	79	487 1695-49	43	487 1898-10	35
487 0289-42	75	487 0289-81	81	487 1697-08	55	487 1898-10	45
487 0289-43	67	487 0289-85	67	487 1697-08	59	487 1898-10	51
487 0289-43	71	487 0289-85	71	487 1701-22	59	487 1920-05	35
487 0289-43	75	487 0289-85	79	487 1702-45	79	487 1924-03	17
487 0289-44	67	487 0289-85	81	487 1702-45	81	487 1924-03	21
487 0289-44	71	487 0289-87	49	487 1702-45	83	487 1924-03	23
487 0289-44	75	487 0289-99	49	487 1714-56	67	487 1924-03	25
487 0289-45	67	487 0324-71	61	487 1714-56	71	487 1924-03	27
487 0289-45	71	487 0510-30	19	487 1714-56	79	487 1934-20	17
487 0289-45	75	487 0510-30	23	487 1714-56	81	487 1934-20	21
487 0289-46	77	487 0510-30	27	487 1714-57	67	487 1934-20	25
487 0289-46	83	487 0951-13	57	487 1714-57	71	487 1934-71	51
487 0289-47	77	487 0951-13	67	487 1714-57	79	487 1934-71	61
487 0289-47	83	487 0951-13	71	487 1714-57	81	487 1935-03	67
487 0289-53	67	487 0951-13	75	487 1714-70	17	487 1935-03	71
487 0289-53	71	487 0998-01	33	487 1714-70	21	487 1935-03	79
487 0289-53	79	487 0998-02	33	487 1714-70	25	487 1935-03	81
487 0289-53	81	487 0998-03	33	487 1714-71	33	487 1935-06	67
487 0289-57	47	487 0998-04	33	487 1714-72	33	487 1935-06	71
487 0289-60	47	487 0998-05	33	487 1714-73	33	487 1935-06	79
487 0289-63	47	487 0998-06	33	487 1714-74	33	487 1935-06	81
487 0289-64	17	487 0998-18	7	487 1714-75	33	487 1935-13	47
487 0289-64	19	487 0998-18	11	487 1714-76	33	487 1935-14	47
487 0289-64	21	487 1384-04	57	487 1714-78	17	487 1935-15	17
487 0289-64	23	487 1384-04	67	487 1714-79	7	487 1935-18	9
487 0289-64	25	487 1384-04	71	487 1714-79	11	487 1935-18	11
487 0289-64	27	487 1384-04	75	487 1714-80	7	487 1935-19	7
487 0289-65	17	487 1437-25	59	487 1714-81	7	487 1935-20	7
487 0289-65	19	487 1438-21	59	487 1714-82	7	487 1935-21	7
487 0289-65	21	487 1438-25	59	487 1714-83	7	487 1935-22	7
487 0289-65	23	487 1492-01	39	487 1714-84	7	487 1935-23	7
487 0289-65	25	487 1510-88	33	487 1714-85	7	487 1935-24	7
487 0289-65	27	487 1510-88	35	487 1714-86	7	487 1935-25	7
487 0289-66	17	487 1531-76	55	487 1714-87	7	487 1935-26	7
487 0289-66	19	487 1533-97	59	487 1714-88	7	487 1935-27	7
487 0289-66	21	487 1535-04	51	487 1714-89	7	487 1935-28	7
487 0289-66	23	487 1535-04	55	487 1714-90	7	487 1935-29	7
487 0289-66	25	487 1535-04	59	487 1714-91	7	487 1935-30	9
487 0289-66	27	487 1535-21	17	487 1714-98	59	487 1935-53	35
487 0289-69	7	487 1535-21	21	487 1715-84	55	487 1935-72	49
487 0289-69	21	487 1535-21	25	487 1715-85	55	487 1935-73	13
487 0289-69	23	487 1535-65	67	487 1715-86	55	487 1935-74	33
487 0289-69	25	487 1535-65	71	487 1715-90	55	487 1969-83	7
487 0289-69	27	487 1535-65	75	487 1715-94	55	487 1969-88	17
487 0289-72	25	487 1535-65	79	487 1715-95	55	487 1969-88	19
487 0289-72	27	487 1535-65	81	487 1715-96	55	487 1969-88	21
487 0289-73	25	487 1535-65	83	487 1723-95	7	487 1969-88	23
487 0289-73	27	487 1535-79	67	487 1723-95	11	487 1969-88	25
487 0289-74	25	487 1535-79	71	487 1723-95	67	487 1969-88	27
487 0289-74	27	487 1535-79	75	487 1723-95	71	487 1974-96	33
487 0289-75	7	487 1535-79	79	487 1723-95	75	487 1974-96	35
487 0289-75	21	487 1535-79	81	487 1723-95	79	487 2100-26	11
487 0289-75	23	487 1535-79	83	487 1723-95	81	487 2100-81	19
487 0289-75	25	487 1600-02	37	487 1723-95	83	487 2100-81	23
487 0289-75	27	487 1600-13	63	487 1756-35	29	487 2100-81	27
487 0289-76	7	487 1600-14	63	487 1764-14	59	487 2217-25	57
487 0289-76	21	487 1600-16	19	487 1781-19	55	487 2217-27	67
487 0289-76	23	487 1600-16	23	487 1781-22	55	487 2217-27	71
487 0289-76	25	487 1600-16	27	487 1781-51	63	487 2217-27	79
487 0289-76	27	487 1654-06	43	487 1813-10	51	487 2217-27	81
487 0289-79	67	487 1694-18	47	487 1831-00	41	487 2217-30	79
487 0289-79	71	487 1694-58	51	487 1875-30	33	487 2217-30	81
487 0289-79	75	487 1694-78	37	487 1897-05	37	487 2217-30	83

Numerical index/Numerical index

Art.No/Réf. article	Page/Page	Art.No/Réf. article	Page/Page	Art.No/Réf. article	Page/Page	Art.No/Réf. article	Page/Page
487 2217-32	67	487 2400-37	43	487 2404-94	11	487 2408-16	41
487 2217-32	71	487 2400-38	51	487 2405-01	43	487 2408-33	55
487 2217-32	75	487 2400-38	53	487 2405-15	59	487 2408-33	59
487 2226-45	55	487 2400-39	43	487 2405-18	59	487 2408-36	59
487 2226-45	59	487 2400-40	39	487 2405-25	55	487 2408-38	59
487 2226-45	63	487 2400-40	41	487 2405-27	57	487 2408-39	59
487 2226-45	65	487 2400-40	43	487 2405-28	55	487 2408-41	55
487 2226-87	17	487 2400-40	49	487 2405-32	55	487 2408-48	55
487 2226-87	19	487 2400-43	43	487 2405-33	79	487 2408-48	59
487 2226-87	21	487 2400-44	43	487 2405-33	81	487 2408-48	61
487 2226-87	23	487 2400-45	43	487 2405-37	55	487 2408-52	63
487 2226-87	25	487 2400-46	37	487 2405-38	21	487 2408-79	39
487 2226-87	27	487 2400-46	39	487 2405-41	51	487 2408-83	37
487 2228-23	13	487 2400-46	61	487 2405-41	53	487 2408-83	39
487 2228-23	15	487 2400-48	43	487 2405-42	47	487 2409-05	7
487 2228-26	11	487 2400-52	43	487 2405-43	43	487 2409-13	41
487 2228-26	13	487 2400-55	43	487 2405-44	67	487 2409-14	41
487 2228-26	15	487 2400-57	37	487 2405-44	71	487 2409-40	7
487 2228-35	13	487 2400-57	39	487 2405-44	75	487 2409-55	7
487 2228-35	15	487 2400-58	37	487 2405-52	37	487 2410-15	55
487 2255-15	55	487 2400-58	39	487 2405-52	39	487 2410-15	59
487 2256-07	7	487 2400-59	67	487 2405-56	51	487 2410-15	63
487 2256-07	11	487 2400-59	71	487 2405-58	37	487 2410-40	7
487 2256-07	51	487 2400-59	79	487 2405-58	39	487 2410-50	55
487 2256-07	53	487 2400-59	81	487 2405-59	37	487 2410-50	59
487 2293-35	7	487 2400-60	67	487 2405-59	39	487 2410-50	63
487 2293-35	11	487 2400-60	71	487 2405-62	37	487 2410-55	7
487 2293-35	13	487 2400-60	79	487 2405-62	39	487 2410-80	55
487 2293-35	15	487 2400-60	81	487 2405-65	7	487 2410-80	59
487 2293-42	19	487 2400-61	7	487 2405-65	11	487 2410-80	63
487 2307-25	31	487 2400-61	11	487 2405-65	55	487 2411-05	55
487 2307-33	19	487 2400-63	43	487 2405-65	61	487 2411-05	59
487 2307-33	23	487 2400-64	43	487 2405-66	43	487 2411-05	63
487 2307-33	27	487 2400-65	79	487 2405-68	67	487 2411-06	55
487 2307-44	11	487 2400-65	81	487 2405-68	71	487 2411-06	59
487 2307-53	19	487 2400-65	83	487 2405-68	75	487 2411-06	63
487 2307-53	23	487 2400-66	43	487 2405-69	67	487 2411-41	55
487 2307-53	27	487 2400-68	43	487 2405-69	71	487 2411-41	59
487 2307-58*	55	487 2400-69	51	487 2405-69	79	487 2411-41	63
487 2307-58*	59	487 2400-69	53	487 2405-69	81	487 2411-55	55
487 2309-30	59	487 2400-70	51	487 2405-70	67	487 2411-55	59
487 2309-31	59	487 2400-70	53	487 2405-70	71	487 2411-55	63
487 2317-84	51	487 2400-72	51	487 2405-70	75	487 2411-62	55
487 2317-84	53	487 2400-72	53	487 2405-78	43	487 2411-62	59
487 2317-84	61	487 2400-74	43	487 2405-81	17	487 2411-62	65
487 2327-95	41	487 2400-75	43	487 2405-82	17	487 2411-63	63
487 2328-85	61	487 2400-76	43	487 2405-90	63	487 2411-63	65
487 2330-10	61	487 2400-79	51	487 2405-91	63	487 2411-64	63
487 2330-11	61	487 2400-79	53	487 2405-96	51	487 2411-64	65
487 2359-70	7	487 2400-80	51	487 2405-96	53	487 2411-65	55
487 2359-73	7	487 2400-80	53	487 2405-97	51	487 2411-65	59
487 2368-43	63	487 2400-81	43	487 2405-97	53	487 2411-65	65
487 2368-44	63	487 2400-82	43	487 2406-00	55	487 2411-67	55
487 2368-45	63	487 2400-83	43	487 2406-00	59	487 2411-67	59
487 2400-00	43	487 2400-84	43	487 2406-01	7	487 2411-67	63
487 2400-08	43	487 2400-89	37	487 2406-01	11	487 2411-73	55
487 2400-09	43	487 2400-89	39	487 2406-04	43	487 2411-73	59
487 2400-12	37	487 2400-89	41	487 2406-05	7	487 2411-73	63
487 2400-12	39	487 2400-90	59	487 2406-09	17	487 2411-80	17
487 2400-24	29	487 2400-95	59	487 2408-05	39	487 2411-81	17
487 2400-26	13	487 2400-97	59	487 2408-05	41	487 2411-90	41
487 2400-26	31	487 2400-98	43	487 2408-11	37	487 2412-02	43
487 2400-26	51	487 2401-55	49	487 2408-11	39	487 2412-12	43
487 2400-30	61	487 2404-93	7	487 2408-12	37	487 2412-19	43
487 2400-33	51	487 2404-93	11	487 2408-12	39	487 2412-24	51
487 2400-33	53	487 2404-94	7	487 2408-15	41	487 2412-24	53

Numerical index/Numerical index

Art.No/Réf. article	Page/Page	Art.No/Réf. article	Page/Page	Art.No/Réf. article	Page/Page	Art.No/Réf. article	Page/Page
487 2414-05	55	487 2426-56	13	487 2436-11	31	487 2466-50	83
487 2414-05	59	487 2426-60	35	487 2436-15	21	487 2466-51	43
487 2414-05	63	487 2426-62	13	487 2436-16	25	487 2466-51	75
487 2414-05	65	487 2426-62	15	487 2436-55	49	487 2466-51	83
487 2414-40	55	487 2426-63	13	487 2437-55	49	487 2466-52	43
487 2414-40	59	487 2426-63	15	487 2438-55	65	487 2466-52	75
487 2414-40	63	487 2426-68	25	487 2439-55	31	487 2466-52	83
487 2414-40	65	487 2426-69	25	487 2440-05	13	487 2466-53	43
487 2414-55	55	487 2426-70	21	487 2440-40	13	487 2466-53	75
487 2414-55	59	487 2426-71	21	487 2440-55	13	487 2466-53	83
487 2414-55	63	487 2426-72	25	487 2441-05	13	487 2466-54	19
487 2414-55	65	487 2426-73	25	487 2441-40	13	487 2466-54	23
487 2422-72	41	487 2426-74	21	487 2441-55	13	487 2466-54	27
487 2422-73	41	487 2426-75	21	487 2442-05	65	487 2466-55	47
487 2422-75	41	487 2426-76	31	487 2442-40	65	487 2466-55	75
487 2422-80	43	487 2426-79	31	487 2442-55	65	487 2466-55	77
487 2422-82	39	487 2426-82	13	487 2443-05	65	487 2466-55	83
487 2422-83	39	487 2426-82	15	487 2443-40	65	487 2466-57	61
487 2422-84	39	487 2426-82	31	487 2443-55	65	487 2466-61	63
487 2422-84	51	487 2426-85	31	487 2446-76	21	487 2466-61	83
487 2422-85	39	487 2426-88	13	487 2446-76	25	487 2466-62	55
487 2422-86	39	487 2426-88	15	487 2446-90	33	487 2466-62	77
487 2422-90	41	487 2426-89	13	487 2447-61	35	487 2466-63	57
487 2426-00	65	487 2426-91	13	487 2447-80	13	487 2466-64	57
487 2426-01	65	487 2426-91	15	487 2447-80	15	487 2466-65	59
487 2426-02	13	487 2426-94	35	487 2447-81	13	487 2466-65	83
487 2426-02	31	487 2426-96	25	487 2447-81	15	487 2466-69	75
487 2426-03	45	487 2426-98	13	487 2448-72	31	487 2466-69	83
487 2426-04	21	487 2426-98	15	487 2448-76	31	487 2466-71	75
487 2426-04	25	487 2426-99	13	487 2449-10	29	487 2466-71	83
487 2426-05	49	487 2426-99	15	487 2450-05	33	487 2466-99	41
487 2426-06	13	487 2427-20	49	487 2450-06	33	487 2469-01	15
487 2426-06	15	487 2427-21	45	487 2450-37	63	487 2510-01	23
487 2426-07	13	487 2427-22	45	487 2450-41	33	487 2510-01	27
487 2426-07	15	487 2427-23	45	487 2450-55	33	487 2511-01	23
487 2426-08	13	487 2427-24	21	487 2450-63	33	487 2511-01	27
487 2426-08	15	487 2427-24	25	487 2450-77	33	487 2512-01	15
487 2426-08	31	487 2427-25	49	487 2466-00	23	487 2514-01	15
487 2426-09	13	487 2427-26	49	487 2466-00	27	487 2515-01	23
487 2426-09	15	487 2427-27	49	487 2466-00	75	487 2515-01	27
487 2426-09	31	487 2427-44	21	487 2466-00	83	487 2516-01	31
487 2426-16	13	487 2427-44	25	487 2466-01	23	487 2517-01	15
487 2426-16	15	487 2427-46	41	487 2466-01	27	487 2517-01	27
487 2426-17	13	487 2427-55	35	487 2466-01	75	487 2518-01	15
487 2426-17	15	487 2427-57	13	487 2466-01	83	487 2518-01	27
487 2426-18	13	487 2427-57	15	487 2466-05	19	487 2519-01	31
487 2426-18	15	487 2427-62	49	487 2466-05	75	487 2519-01	53
487 2426-20	31	487 2427-69	49	487 2466-05	83	487 2520-01	15
487 2426-22	31	487 2427-76	49	487 2466-06	19	487 2521-01	15
487 2426-24	13	487 2427-82	49	487 2466-06	75	487 2524-01	31
487 2426-24	15	487 2427-83	49	487 2466-06	83	487 2526-01	35
487 2426-31	31	487 2427-85	49	487 2466-08	19	487 2527-01	35
487 2426-36	31	487 2427-86	49	487 2466-10	27	487 2528-01	61
487 2426-39	31	487 2427-87	49	487 2466-12	11	487 2531-01	39
487 2426-48	13	487 2427-90	49	487 2466-20	75	487 2531-01	61
487 2426-48	15	487 2427-91	49	487 2466-20	83	487 2535-01	31
487 2426-50	31	487 2427-92	49	487 2466-21	75	487 2537-01	31
487 2426-51	13	487 2427-93	49	487 2466-21	83	487 2538-01	15
487 2426-52	13	487 2427-96	49	487 2466-23	75	487 2539-02	31
487 2426-52	15	487 2429-55	49	487 2466-23	83	487 2540-02	31
487 2426-53	13	487 2436-04	25	487 2466-30	75	487 2541-01	19
487 2426-53	15	487 2436-05	49	487 2466-30	83	487 2541-01	23
487 2426-54	13	487 2436-07	31	487 2466-31	75	487 2541-01	27
487 2426-54	15	487 2436-09	31	487 2466-31	83	487 2542-01	23
487 2426-55	13	487 2436-10	13	487 2466-50	43	487 2543-01	23
487 2426-55	31	487 2436-10	15	487 2466-50	75	487 2546-01	23

Numerical index/Numerical index

Art.No/Réf. article	Page/Page	Art.No/Réf. article	Page/Page	Art.No/Réf. article	Page/Page	Art.No/Réf. article	Page/Page
487 2547-01	39	762 1191-10	83				
487 2547-01	41	762 1212-10	19				
487 2547-01	43	762 1212-10	77				
487 2547-01	49	762 1212-10	83				
487 2548-01	53	762 1218-10	11				
487 2550-01	75	762 7202-57	51				
487 2550-01	83	762 7202-57	55				
487 2554-05	11	762 7202-57	59				
487 2554-05	15						
487 2554-40	11						
487 2554-40	15						
487 2555-05	11						
487 2555-05	15						
487 2555-40	11						
487 2555-40	15						
487 2561-55	11						
487 2562-55	11						
487 2565-01	19						
487 2566-01	19						
487 2567-01	11						
487 2569-01	39						
487 2569-01	53						
487 2570-01	23						
487 2573-01	29						
487 2574-01	19						
487 2574-01	23						
487 2574-01	27						
487 2575-05	33						
487 2575-06	33						
487 2575-41	33						
487 2575-63	33						
487 2575-77	33						
487 2576-55	33						
487 2577-02	31						
487 2578-02	31						
487 2579-55	15						
487 2580-55	15						
487 2589-01	39						
487 2830-01	75						
487 2830-01	83						
487 3390-02	9						
487 3390-02	11						
487 7056-53	61						
487 7057-40	17						
487 7057-40	19						
487 7057-40	21						
487 7057-40	23						
487 7057-40	25						
487 7057-40	27						
725 2477-51	43						
725 2497-51	39						
728 5289-00	41						
735 3126-00	43						
762 1137-10	63						
762 1137-10	67						
762 1137-10	71						
762 1137-10	75						
762 1137-10	79						
762 1137-10	81						
762 1137-10	83						
762 1191-10	7						
762 1191-10	67						
762 1191-10	71						
762 1191-10	75						
762 1191-10	79						
762 1191-10	81						

WASCOMAT

461 Doughty Blvd., Inwood, L.I., N.Y. 11096-0338

Telephone: 516-371-4400

Parts and Service FAX: 516-371-4029

Sales and Administration FAX: 516-371-4204