

TD135

Tumble dryer
Séchoir à tambour

Up to machine No. -01200/0099999

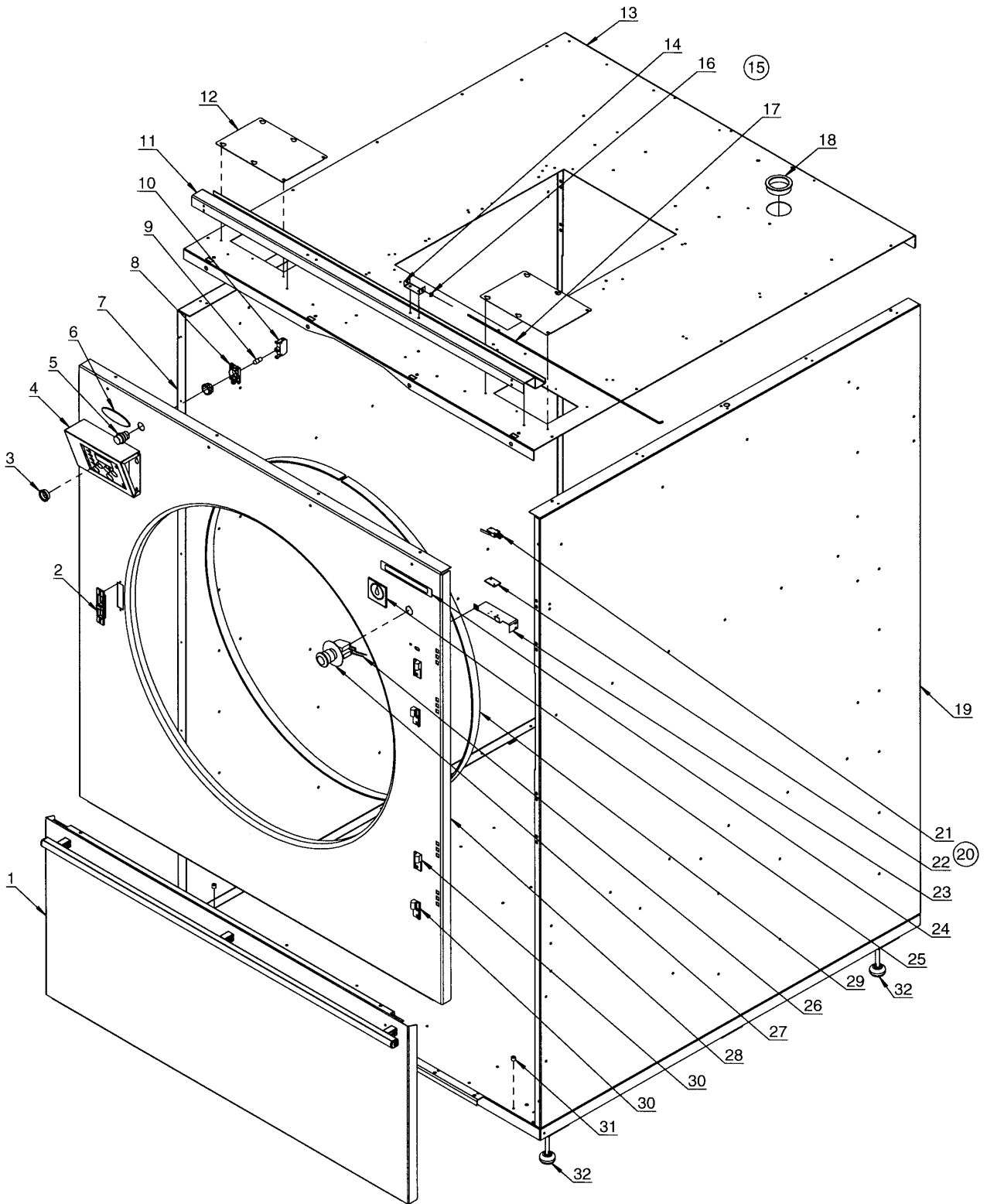
List of issues

TD135

Illustration	Page	Table of contents
200023	9	Cabinet complete
200024	69	Connection unit, el
200025	51	Filter/ Fan housing
200026	37	Drum, compl.
200027	29	Door complete
200028	43	Motor
200029	59	Heater unit, gas
200030	63	Heating unit, steam
200031	55	Heater unit, el
200032	79	Connection unit - gas, steam
200095	17	Controlbox, complete
200096	47	Frequency converter, complete
200099	13	Cabinet complete - Sliding Door
200122	41	Drum with moisture sensor
200124	25	Front panel - tilt/ frequency, complete
200125	31	Door complete - Sliding Door
200127	35	Filter hatch, joined - Sliding Door
200128	45	Door switch - Sliding Door
200129	21	Front panel - Sliding Door/ frequency, complete
200130	33	Filter hatch, joined
200131	65	Box - heating unit Sliding Door
200140	39	Drum, compl.
200142	49	Tilt
200143	61	Gas components - Australia
200163	73	Connection unit - Sliding Door + Tilt, el
200164	81	Connection unit - Sliding Door + Tilt, gas + steam
200346	19	Controlbox, complete Selecta II
200347	53	Filter/ Fan housing
200349	57	Control unit
200351	11	Cabinet - Selecta II
200352	15	Cabinet - Sliding Door Selecta II
200353	23	Front panel - Sliding Door/ frequency Selecta II
200354	27	Front panel - tilt/ frequency Selecta II
200355	77	Connection unit, el Selecta II
200356	83	Connection unit - gas, steam Selecta II

TD135

Table of contents	Table des matières	Page/Page
*Cabinet complete	Armoire complète	9
*Cabinet - Selecta II	Armoire - Selecta II	11
Cabinet complete - Sliding Door	Armoire complète - Sliding Door	13
Cabinet - Sliding Door Selecta II	Armoire - Sliding Door Selecta II	15
Controlbox, complete	Boîtier de contrôle, complet	17
Controlbox, complete Selecta II	Boîtier de contrôle, complet Selecta II	19
Front panel - Sliding Door/ frequency, complete	Panneau de façade - Sliding Door/ fréquence, complet	21
Front panel - Sliding Door/ frequency Selecta II	Panneau de façade - Sliding Door/ fréquence Selecta II	23
Front panel - tilt/ frequency, complete	Panneau de façade - inclinaison/ fréquence, complet	25
Front panel - tilt/ frequency Selecta II	Panneau de façade - inclinaison/ fréquence Selecta II	27
Door complete	Plaque complète	29
Door complete - Sliding Door	Plaque complète - Sliding Door	31
Filter hatch, joined	Plaque filtre, collecté	33
Filter hatch, joined - Sliding Door	Plaque filtre, collecté - Sliding Door	35
Drum, compl.	Tambour, complet	37
Drum, compl.	Tambour, complet	39
Drum with moisture sensor	Tambour avec capteur humidité	41
Motor	Moteur	43
Door switch - Sliding Door	Interrupteur de porte - Sliding Door	45
Frequency converter, complete	Convertisseur de fréquence, complet	47
Tilt	Inclinaison	49
Filter/ Fan housing	Filtre/ Boîtier de ventilateur	51
Filter/ Fan housing	Filtre/ Boîtier de ventilateur	53
*Heater unit, el	Élément chauffant, el	55
Control unit	Unité de contrôle	57
*Heater unit, gas	Élément chauffant, gaz	59
Gas components - Australia	Composants gaz - Australie	61
Heating unit, steam	Unité chauffage, vapeur	63
Box - heating unit Sliding Door	Caisse - unite chauffage Sliding Door	65
Connection unit, el	Connexion, électrique	69
Connection unit - Sliding Door + Tilt, el	Connexion - Sliding Door + Inclinaison, électrique	73
Connection unit, el Selecta II	Connexion, électrique Selecta II	77
Connection unit - gas, steam	Connexion - gaz, vapeur	79
Connection unit - Sliding Door + Tilt, gas + steam	Connexion - Sliding Door + Inclinaison, gaz + vapeur	81
Connection unit - gas, steam Selecta II	Connexion - gaz, vapeur Selecta II	83



20 00 23

Issue	Month	Year
08	03	07

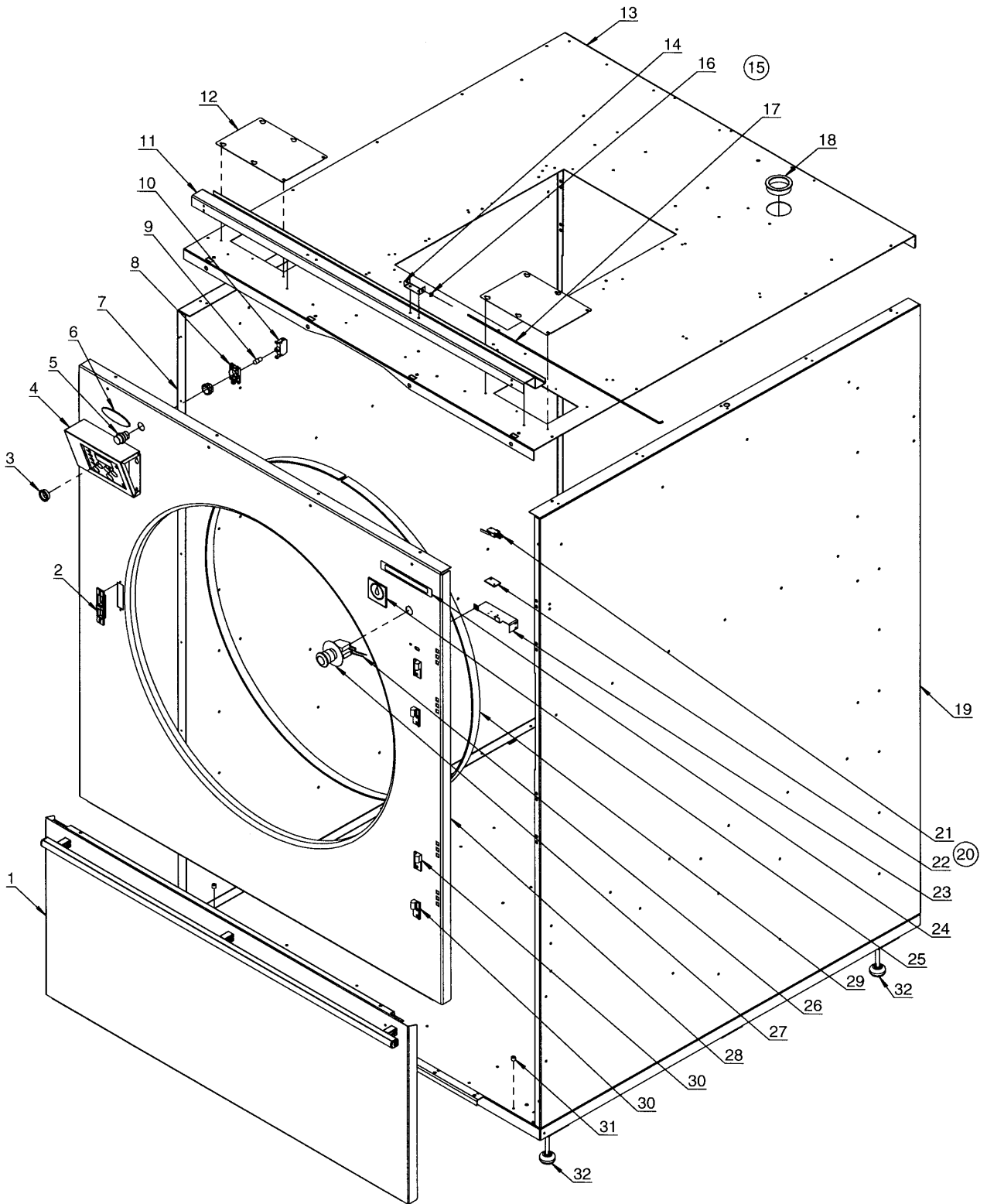
TD135 -21200/0001034

Cabinet complete

Armoire complète

Illustration Issue Month Year
Schéma Issue Month Year
200023/8 14 4 2009

Item Article	Qua Qua	Art.No Réf. article	Description	Description	Info Info	Notes Remarques
1	1		Filter hatch	Volet du filtre		Complete See illustr. 200130
2	1	487 0215-72	Locking unit	Unité verrouillage	3	Complete
3	1	762 1191-10	Cable gland	Passe-fil	3	Ø28
4	1		Controlbox	Boîtier de contrôle		Complete See illustr. 200095
5	1	487 0289-75	Lamp	Lampe	3	Yellow
6	1	432 2620-06	Sign	Signe	3	Electrolux Wascator
	1	432 2620-07	Sign	Signe	3	Electrolux Nyborg
	1	432 2620-08	Sign	Signe	3	Electrolux Dubix
	1	432 2620-09	Sign	Signe	3	Electrolux
7	1	487 2406-05	Side plate	Plaque de côté	3	Left White
	1	487 2406-40	Side plate	Plaque de côté	3	Left Grey
	1	487 2406-55	Side plate	Plaque de côté	3	Left Stainless
8	1	471 9628-75	Bracket	Support	3	
9	1	487 0289-69	Glowing lamp	Lampa à incandescence	3	
10	1	487 0289-76	Lamp socket	Douille de lampe	3	
11	1	487 2400-61	Support	Support	3	
12	2	487 2256-07	Cover plate	Plaque recouvrement	3	
13	1	487 2400-21	Top panel	Panneau supérieur	3	
14	1	487 2406-01	Fitting	Garniture	3	
15	1	487 0998-18	Bracket	Support	3	Complete
16	1	487 2404-94	•Disc	•Disque	3	Grifax
17	1	487 2404-93	•Bracket	•Support	3	
18	1	487 1723-95	Cable gland	Passe-fil	3	Ø50
19	1	487 2405-05	Side plate	Plaque de côté	3	Right White
	1	487 2405-40	Side plate	Plaque de côté	3	Right Grey
	1	487 2405-55	Side plate	Plaque de côté	3	Right Stainless
20	1	487 2359-73	Door switch	Interrupteur de porte	3	Complete
21	1	487 1898-10	•Microswitch	•Microrupteur	1,2	
22	1	471 2068-48	•Insulation	•Isolation	3	
23	1	487 2359-70	•Bracket	•Support	3	
24	1	487 1969-81	Type plade	Numéro série plque	3	T31200
25	1	487 2293-35	Sign	Signe	3	Lagoon
26	1	487 0199-21	Cable set	Ensemble de câbles	3	
27	1	487 1714-79	Emergency stop	Arrêt d'urgence	3	Complete
28	1	487 1714-80	Front complete	Devant complete	3	Right-hinged White
	1	487 1714-81	Front complete	Devant complete	3	Right-hinged Red
	1	487 1714-82	Front complete	Devant complete	3	Right-hinged Green
	1	487 1714-83	Front complete	Devant complete	3	Right-hinged Stainless
	1	487 1714-84	Front complete	Devant complete	3	Right-hinged Beige
	1	487 1714-85	Front complete	Devant complete	3	Right-hinged Ivory
	1	487 1714-86	Front complete	Devant complete	3	Left-hinged White
	1	487 1714-87	Front complete	Devant complete	3	Left-hinged Red
	1	487 1714-88	Front complete	Devant complete	3	Left-hinged Green
	1	487 1714-89	Front complete	Devant complete	3	Left-hinged Stainless
	1	487 1714-90	Front complete	Devant complete	3	Left-hinged Beige
	1	487 1714-91	Front complete	Devant complete	3	Left-hinged Ivory
	1	487 1935-19	Front complete	Devant complete	3	Indicator Right-hinged White
	1	487 1935-20	Front complete	Devant complete	3	Indicator Right-hinged Red
	1	487 1935-21	Front complete	Devant complete	3	Indicator Right-hinged Green
	1	487 1935-22	Front complete	Devant complete	3	Indicator Right-hinged Stainless
	1	487 1935-23	Front complete	Devant complete	3	Indicator Right-hinged Beige
	1	487 1935-24	Front complete	Devant complete	3	Indicator Right-hinged Ivory
	1	487 1935-25	Front complete	Devant complete	3	Indicator Left-hinged White
	1	487 1935-26	Front complete	Devant complete	3	Indicator Left-hinged Red
	1	487 1935-27	Front complete	Devant complete	3	Indicator Left-hinged Green
	1	487 1935-28	Front complete	Devant complete	3	Indicator Left-hinged Stainless
	1	487 1935-29	Front complete	Devant complete	3	Indicator Left-hinged Beige



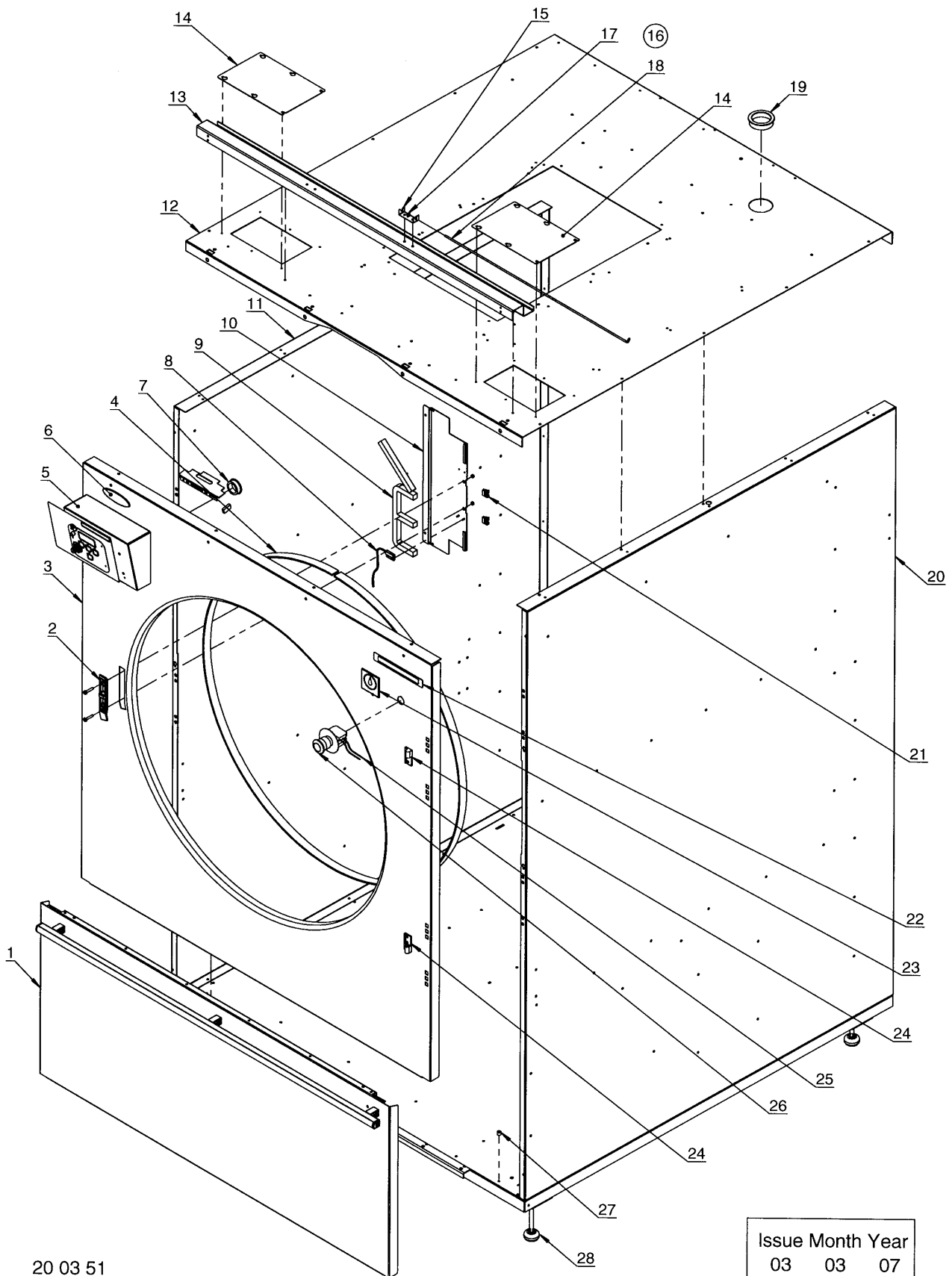
TD135 -21200/0001034

Cabinet complete

Armoire complète

Illustration Issue Month Year
Schéma Issue Month Year
200023/8 14 4 2009

Item Article	Qua Qua	Art.No Réf. article	Description	Description	Info Info	Notes Remarques
29	1	487 1935-30	Front complete	Devant complete	3	Indicator Left-hinged
30	1	487 1935-18	•Felt sealing	•Joint feutre	1	
31	2	487 3390-02	Hinge	Charnière	3	Complete
32	2	472 7414-01	Spacer sleeve	Manchon entretoise	3	Ø10/Ø6
* 32	4	438 8156-01	Foot	Pied	3	M10X100



20 03 51

Issue	Month	Year
03	03	07

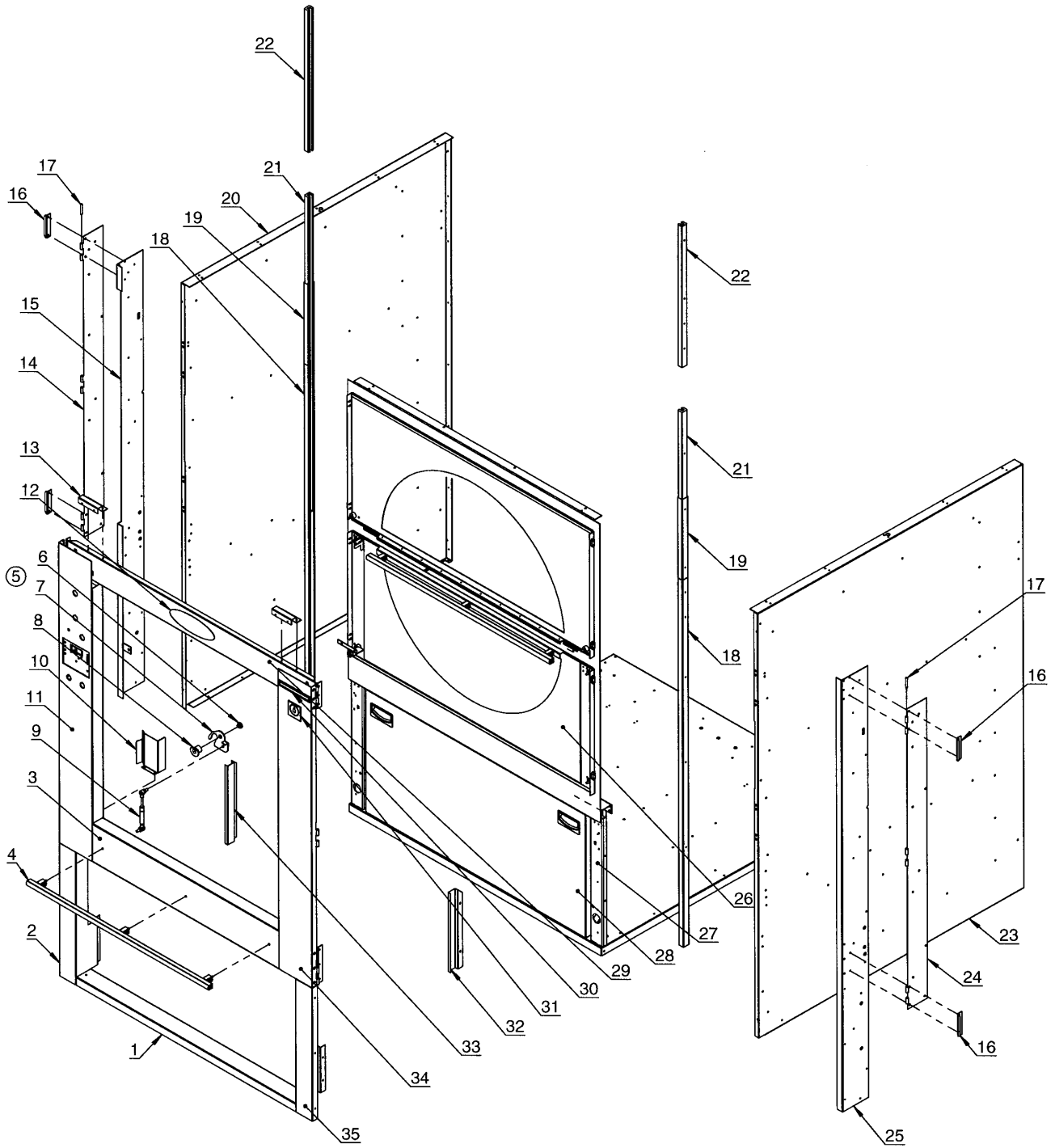
TD135 01200/0000002-

Cabinet - Selecta II

Armoire - Selecta II

Illustration Issue Month Year
Schéma Issue Month Year
200351/3 4 4 2009

Item Article	Qua Qua	Art.No Réf. article	Description	Description	Info Info	Notes Remarques
1	1		Filter hatch	Volet du filtre		Complete See illustr. 200130
2	1	487 0215-72	Locking unit	Unité verrouillage	3	Complete
3	1	487 0285-97	Front complete	Devant complete	3	White Right-hinged
	1	487 0285-98	Front	Devant	3	Red Right-hinged
	1	487 0285-99	Front	Devant	3	Green Right-hinged
	1	487 0286-00	Front complete	Devant complete	3	Stainless Right-hinged
	1	487 0286-01	Front	Devant	3	Almond Right-hinged
	1	487 0286-02	Front	Devant	3	Ivory Right-hinged
	1	487 0286-03	Front complete	Devant complete	3	White Left-hinged
	1	487 0286-04	Front	Devant	3	Red Left-hinged
	1	487 0286-05	Front	Devant	3	Green Left-hinged
	1	487 0286-06	Front complete	Devant complete	3	Stainless Left-hinged
	1	487 0286-07	Front	Devant	3	Almond Left-hinged
	1	487 0286-08	Front	Devant	3	Ivory Left-hinged
4	1	487 1935-18	•Felt sealing	•Joint feutre	1	
5	1		Controlbox	Boîtier de contrôle		Complete See illustr. 200346
6	1	432 2620-09	Sign	Signe	3	Electrolux
7	1	762 1218-10	Cable gland	Passe-fil	3	Ø50
8	1	487 0274-49	Magnetic switch	Disjoncteur magnétique	1,2	
9	1	487 2307-44	Seal	Étanchéité	1	15X15mm
10	1	487 2567-01	Bracket	Support	3	
11	1	487 2551-05	Side plate	Plaque de côté	3	White Left
	1	487 2551-40	Side plate	Plaque de côté	3	Grey Left
	1	487 2559-55	Side plate	Plaque de côté	3	Stainless Left
12	1	487 2400-21	Top panel	Panneau supérieur	3	
13	1	487 2400-61	Support	Support	3	
14	2	487 2256-07	Cover plate	Plaque recouvrement	3	
15	1	487 2406-01	Fitting	Garniture	3	
16	1	487 0998-18	Bracket	Support	3	Complete
17	1	487 2404-94	•Disc	•Disque	3	Grifax
18	1	487 2404-93	•Bracket	•Support	3	
19	1	487 1723-95	Cable gland	Passe-fil	3	Ø50
20	1	487 2552-05	Side plate	Plaque de côté	3	White Right
	1	487 2552-40	Side plate	Plaque de côté	3	Grey Right
	1	487 2560-55	Side plate	Plaque de côté	3	Stainless Right
21	2	471 7864-05	Captive nut	Écrou rapide	3	
22	1	487 2228-27	Type plade	Numéro série plque	3	T31200
23	1	487 2293-35	Sign	Signe	3	Lagoon
24	1	487 3390-02	Hinge	Charnière	3	Complete
25	1	487 2466-12	Cable set	Ensemble de câbles	3	
26	1	487 1714-79	Emergency stop	Arrêt d'urgence	3	Complete
27	2	472 7414-01	Spacer sleeve	Manchon entretoise	3	Ø10/Ø6
* 28	4	438 8156-01	Foot	Pied	3	M10X100



20 00 99

Issue	Month	Year
03	11	06

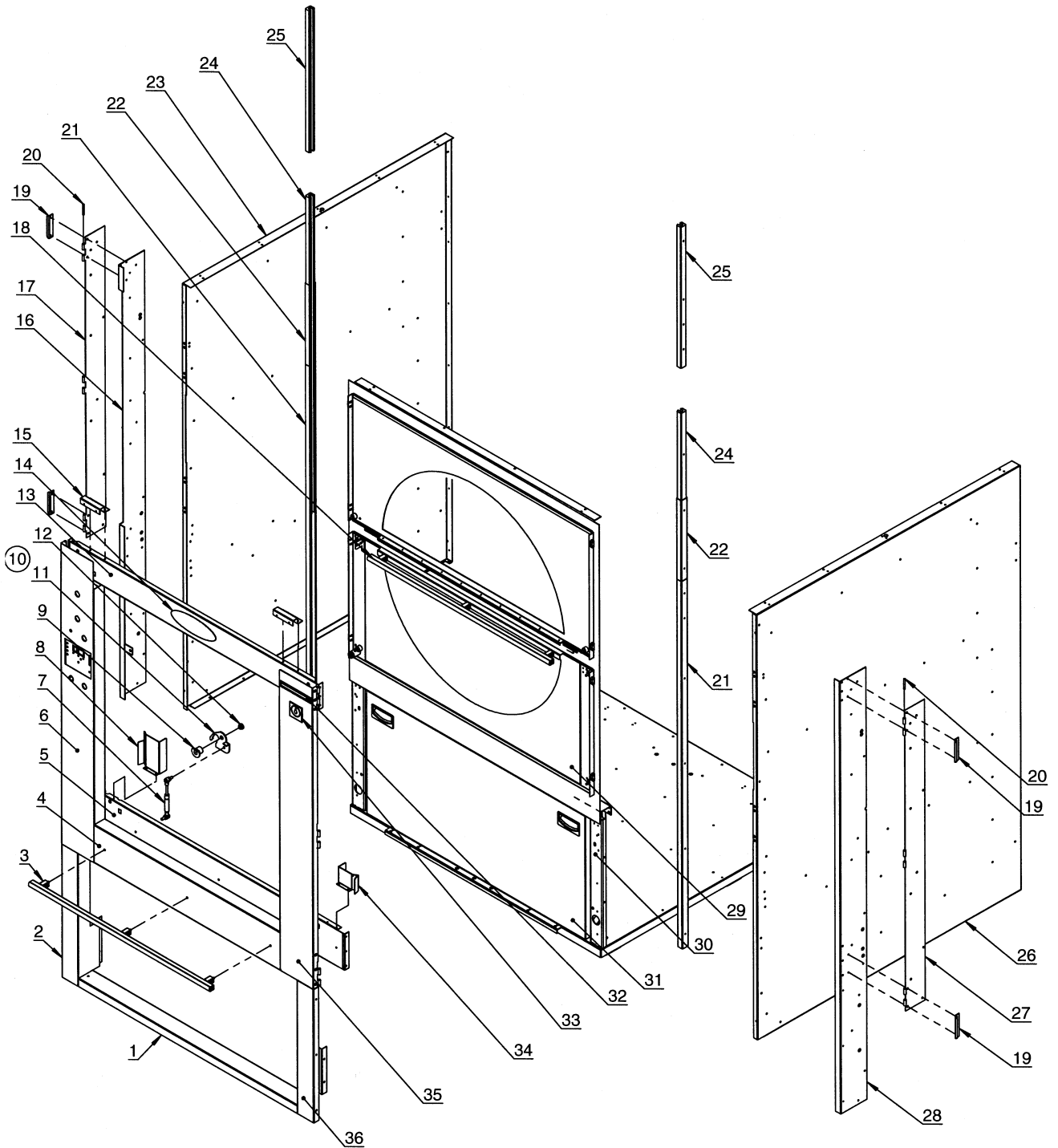
TD135 -21200/0001034

Cabinet complete - Sliding Door

Armoire complète - Sliding Door

Illustration Issue Month Year
Schéma Issue Month Year
200099/3 8 11 2006

Item Article	Qua Qua	Art.No Réf. article	Description	Description	Info Info	Notes Remarques
1	1	487 2426-18	Cross beam	Poutre transversale	3	Bottom
2	1	487 2426-09	Panel	Panneau	3	Left
3	1	487 2426-89	Beam	Poutre	3	Bottom
4	1	487 2426-82	Handle	Manivelle	3	Complete
5	1	487 2436-10	Lock washer	Rondelle d'arrêt	3	Complete
6	1	487 2426-91	•Bushing	•Douille	3	
7	1	487 2426-24	•Locking plate	•Gâche de serrure	3	
8	1	487 2426-48	Lock washer	Rondelle d'arrêt	3	
9	1	487 2426-99	Gas cylinder	Vérin à gaz	3	
10	1	487 1935-73	Screen	Écran	3	Complete
11	1		Front panel	Panneau de façade		See illustr. 200124, 200129
12	1	487 2228-35	Sign	Signe	3	Electrolux
13	2	487 2426-54	Fitting	Garniture	3	
14	1	487 2426-16	Hinge plate	Paumelle	3	Left Left-hinged
15	1	487 2426-51	Side profile	Profilé latéral	3	Left Left-hinged
	1	487 2426-56	Side profile	Profilé latéral	3	Right Right-hinged
16	4	487 2427-57	Stop plate	Gâche	3	
17	6	487 2426-98	Screw	Vis	3	M6X100 Stainless
18	2	487 2426-07	Rail	Rail	3	Galvanised Bottom
19	2	487 2426-06	Rail	Rail	3	Galvanised Upper
20	1	487 2445-05	Side plate	Plaque de côté	3	White Left
	1	487 2445-40	Side plate	Plaque de côté	3	Grey Left
21	2	487 2426-63	Rail	Rail	3	Nylon Bottom
22	2	487 2426-62	Rail	Rail	3	Nylon Upper
23	1	487 2444-05	Side plate	Plaque de côté	3	White Right
	1	487 2444-40	Side plate	Plaque de côté	3	Grey Right
24	1	487 2426-17	Hinge plate	Paumelle	3	Right
25	1	487 2426-52	Side profile	Profilé latéral	3	Right Left-hinged
	1	487 2426-53	Side profile	Profilé latéral	3	Left Right-hinged
26	1		Door with glass	Porte vitrée		Lower Right-hinged See illustr. 200125
	1		Door with glass	Porte vitrée		Lower Left-hinged See illustr. 200125
27	2	487 2400-26	Post	Montant	3	
28	1		Filter hatch	Volet du filtre		Stainless See illustr. 200127
29	1	487 2426-88	Beam	Poutre	3	Complete
30	1	487 2228-27	Type plade	Numéro série plque	3	T31200
	1	487 2228-24	Type plade	Numéro série plque	3	Aqua - Clean
31	1	487 2293-35	Sign	Signe	3	Lagoon
32	1	487 2426-55	Panel	Panneau	3	Right
33	1	487 2426-02	Panel	Panneau	3	Left
34	1	487 2447-80	Front panel	Panneau de façade	3	Right Left-hinged
	1	487 2447-81	Front panel	Panneau de façade	3	Left Right-hinged
35	1	487 2426-08	Panel	Panneau	3	Right



20 03 52

Issue Month Year
03 02 07

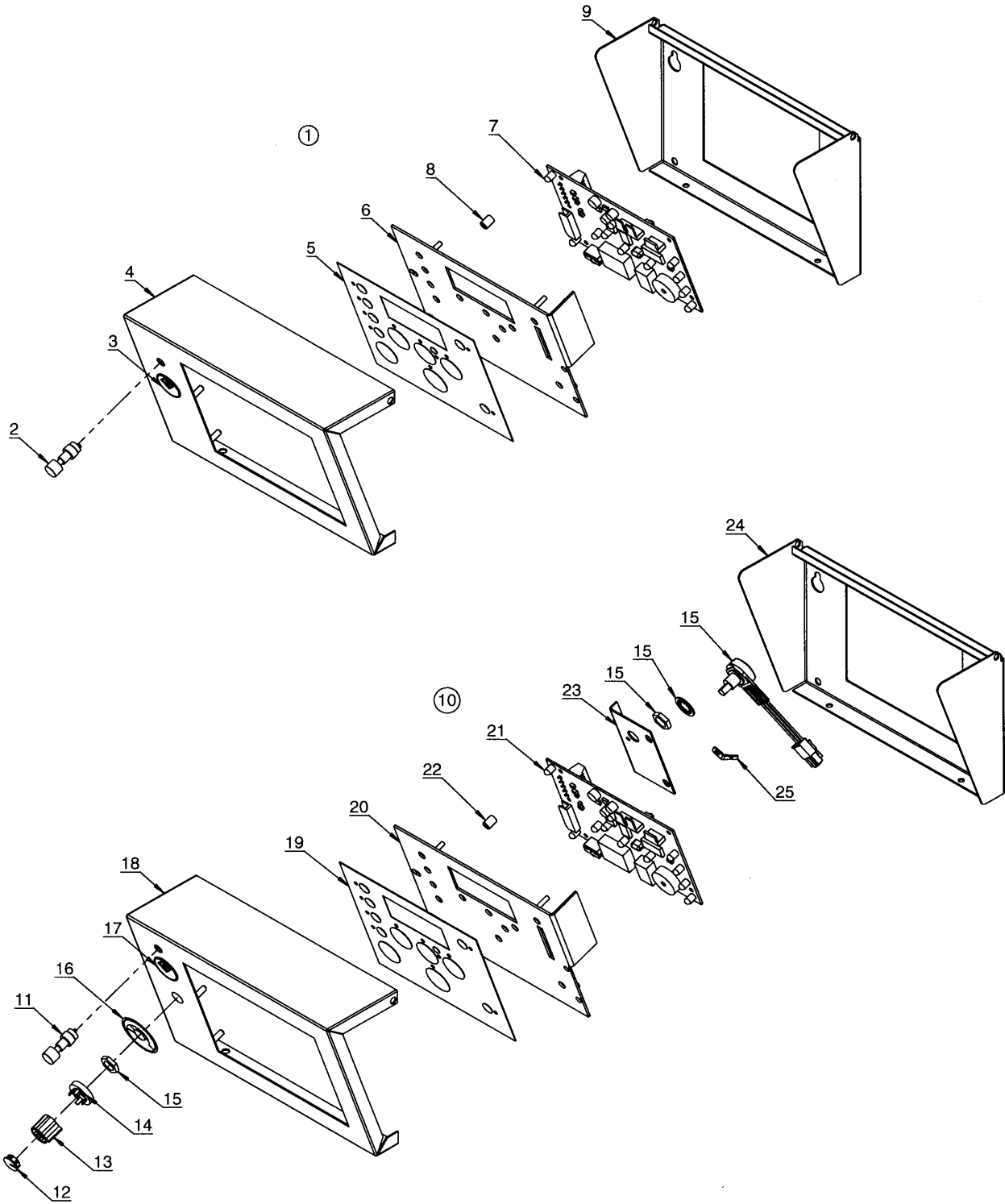
TD135 01200/0000002-

Cabinet - Sliding Door Selecta II

Armoire - Sliding Door Selecta II

Illustration Issue Month Year
Schéma Issue Month Year
200352/2 3 2 2007

Item Article	Qua Qua	Art.No Réf. article	Description	Description	Info Info	Notes Remarques
1	1	487 2426-18	Cross beam	Poutre transversale	3	Lower
2	1	487 2426-09	Panel	Panneau	3	Left Lower
3	1	487 2426-82	Handle	Manivelle	3	Complete
4	1	487 2469-01	Beam	Poutre	3	
5	1	487 2512-01	Beam	Poutre	3	
6	1		Front panel	Panneau de façade		Tilt + frequency Left-hinged See illustr. 200354
	1		Front panel	Panneau de façade		Tilt + frequency Right-hinged See illustr. 200354
7	1	487 2426-99	Gas cylinder	Vérin à gaz	3	
8	1	487 2514-01	Cover plate	Plaque recouvrement	3	Left
9	1	487 2426-48	Lock washer	Rondelle d'arrêt	3	
10	1	487 2436-10	Lock washer	Rondelle d'arrêt	3	Complete
11	1	487 2426-24	•Locking plate	•Gâche de serrure	3	
12	1	487 2426-91	•Bushing	•Douille	3	
13	1	487 2426-88	Beam	Poutre	3	Complete
14	1	487 2228-35	Sign	Signe	3	Electrolux
15	2	487 2426-54	Fitting	Garniture	3	
16	1	487 2521-01	Side profile	Profilé latéral	3	Left Left-hinged
	1	487 2520-01	Side profile	Profilé latéral	3	Right Right-hinged
17	1	487 2426-16	Hinge plate	Paumelle	3	Left
18	1	487 2426-82	Handle	Manivelle	3	Complete
19	4	487 2427-57	Stop plate	Gâche	3	
20	6	487 2426-98	Screw	Vis	3	M6X100 Stainless
21	2	487 2426-07	Rail	Rail	3	Galvanised Lower
22	2	487 2426-06	Rail	Rail	3	Galvanised Upper
23	1	487 2586-05	Side plate	Plaque de côté	3	White Left
	1	487 2586-40	Side plate	Plaque de côté	3	Grey Left
	1	487 2584-55	Side plate	Plaque de côté	3	Stainless Left
24	2	487 2426-63	Rail	Rail	3	Nylon Lower
25	2	487 2426-62	Rail	Rail	3	Nylon Upper
26	1	487 2585-05	Side plate	Plaque de côté	3	White Right
	1	487 2585-40	Side plate	Plaque de côté	3	Grey Right
	1	487 2583-55	Side plate	Plaque de côté	3	Stainless Right
27	1	487 2426-17	Hinge plate	Paumelle	3	
28	1	487 2426-52	Side profile	Profilé latéral	3	Right Left-hinged
	1	487 2426-53	Side profile	Profilé latéral	3	Left Right-hinged
29	1		Door	Plaque		Complete See illustr. 200125
30	2		Post	Montant		See illustr. 200125
31	1		Filter hatch	Volet du filtre		Complete See illustr. 200127
32	1	487 2228-27	Type plade	Numéro série plque	3	T31200
	1	487 2228-24	Type plade	Numéro série plque	3	Aqua - Clean
33	1	487 2293-35	Sign	Signe	3	Lagoon
34	1	487 2538-01	Cover plate	Plaque recouvrement	3	Right
35	1	487 2447-80	Front panel	Panneau de façade	3	Right Standard, left-hinged
25	1	487 2447-81	Front panel	Panneau de façade	3	Left Standard, right-hinged
36	1	487 2426-08	Panel	Panneau	3	Right Bottom



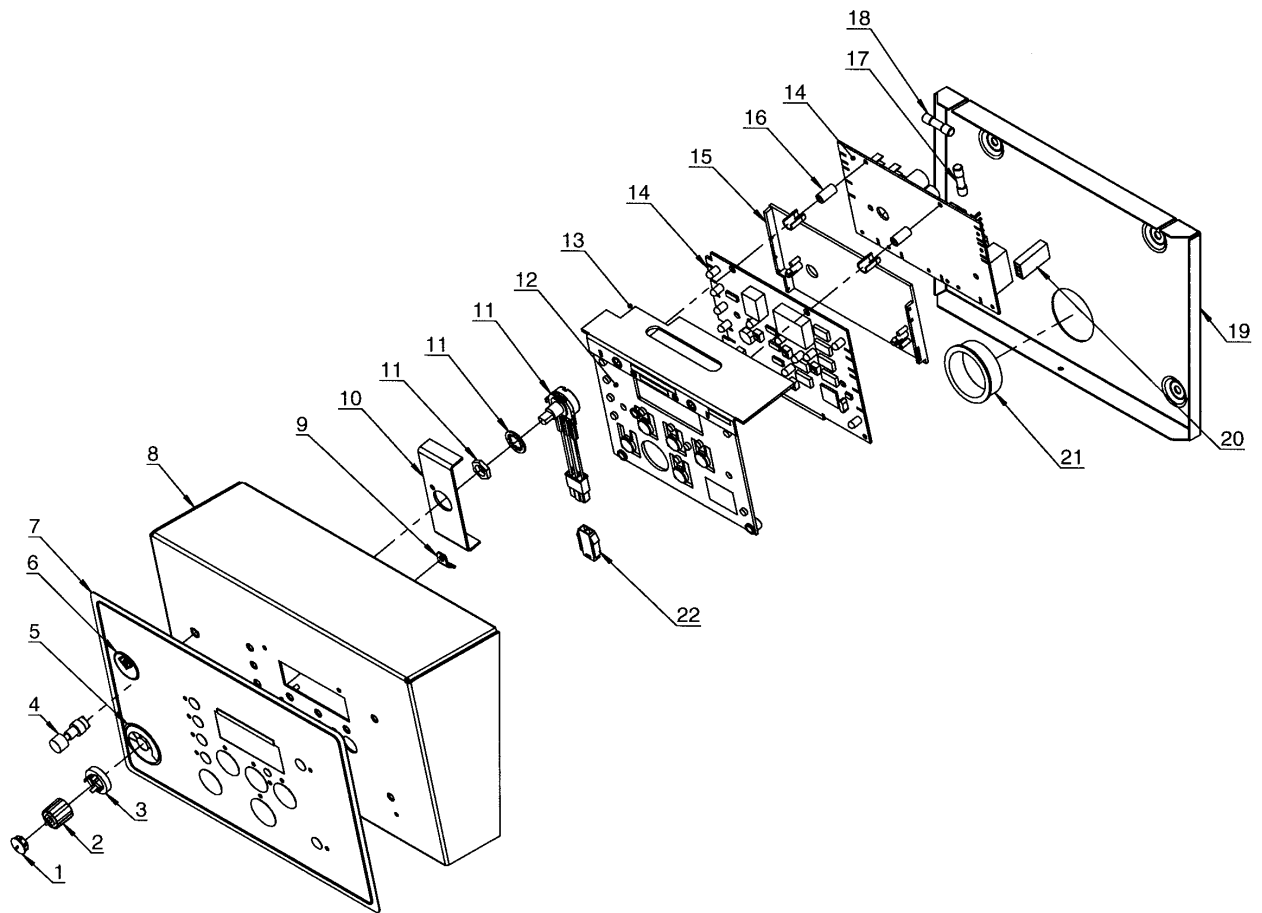
TD135 -21200/0001034

Controlbox, complete

Boîtier de contrôle, complet

Illustration Issue Month Year
Schéma Issue Month Year
200095/1 2 1 2004

Item Article	Qua Qua	Art.No Réf. article	Description	Description	Info Info	Notes Remarques
1	1	487 1714-78	Controlbox	Boîtier de contrôle	3	Complete Electric + gas + steam
2	1	487 1934-20	•Cable set	•Ensemble de câbles	3	Gas
3	1	487 1969-88	•Sign	•Signe	3	Reset Gas
4	1	487 2411-80	•Outer panel	•Panneau extérieur	3	Gas
5	1	487 1924-03	•Operation sign	•Etiquette	3	OPL
6	1	487 2405-82	•Assembly plate	•Plaque de montage	3	
7	1	487 1714-70	•Printed circuit board	•Carte de circuit imprimé	1,2	Complete
8	4	487 1535-21	••Spacer element	••Pièce écartement	1,2	
9	1	487 2405-81	•Bracket	•Console	3	
10	1	487 1935-15	Controlbox	Boîtier de contrôle	3	Complete Frequency
11	1	487 1934-20	•Cable set	•Ensemble de câbles	3	Gas
12	1	487 0289-66	•Cover button	•Cache-bouton	3	
13	1	487 0289-65	•Turning device	•Dispositif	3	
14	1	487 0289-64	•Socket	•Socle	3	
15	1	487 0199-51	•Potentiometer	•Potentiomètre	3	
16	1	487 2226-87	•Sign	•Signe	3	Frequency
17	1	487 1969-88	•Sign	•Signe	3	Reset Gas
18	1	487 2411-81	•Outer panel	•Panneau extérieur	3	
19	1	487 1924-03	•Operation sign	•Etiquette	3	OPL
20	1	487 2405-82	•Assembly plate	•Plaque de montage	3	Printed circuit board
21	1	487 1714-70	•Printed circuit board	•Carte de circuit imprimé	1,2	Complete
22	4	487 1535-21	••Spacer element	••Pièce écartement	3	
23	1	487 2406-09	•Assembly plate	•Plaque de montage	3	Turning device
24	1	487 2405-81	•Bracket	•Console	3	
25	1	487 7057-40	•Terminal	•Terminal	3	



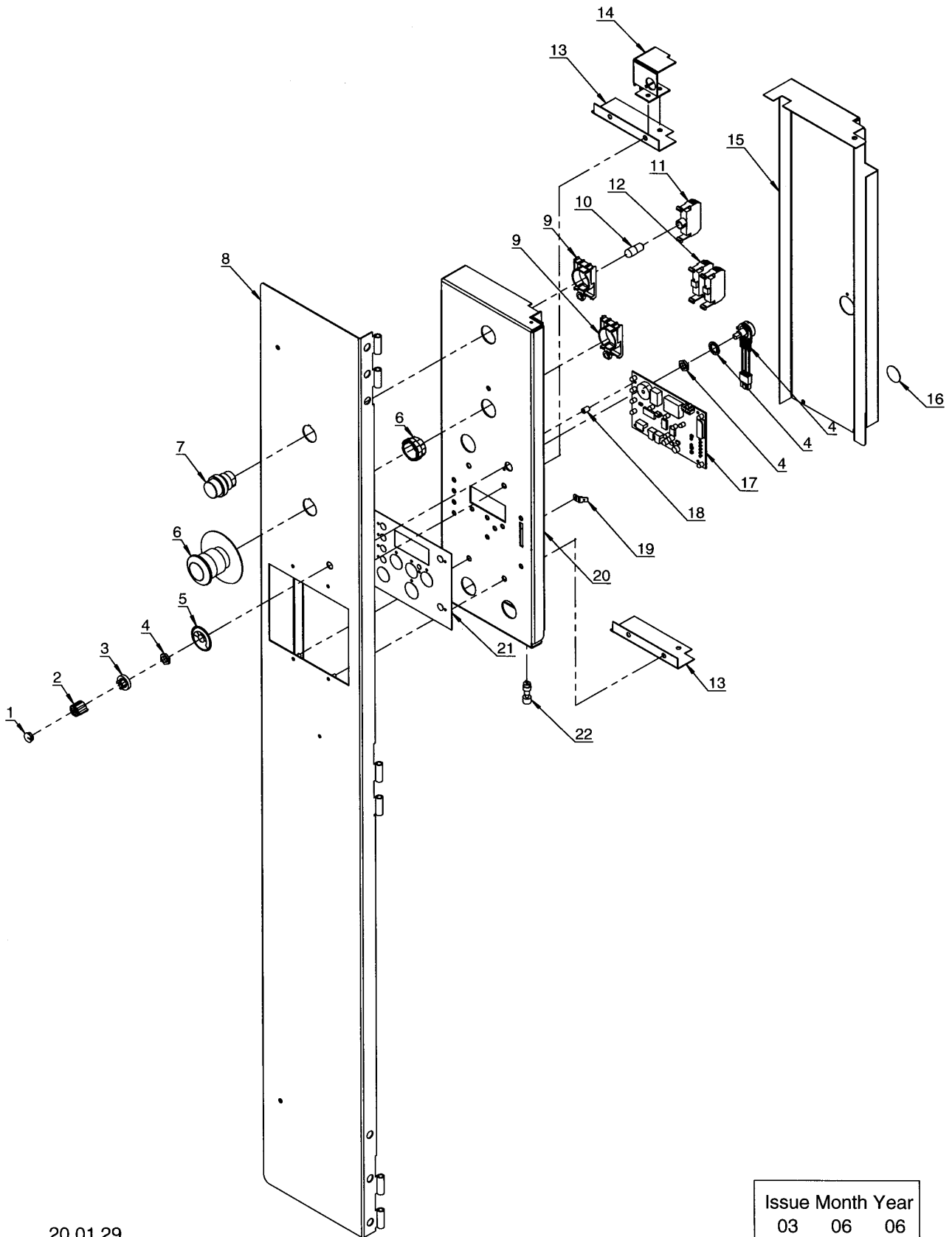
TD135 01200/0000002-

Controlbox, complete Selecta II

Boîtier de contrôle, complet Selecta II

Illustration	Issue	Month	Year
Schéma	Issue	Month	Year
200346/1	2	4	2007

Item Article	Qua Qua	Art.No Réf. article	Description	Description	Info Info	Notes Remarques
1	1	487 0289-66	Cover button	Cache-bouton	3	
2	1	487 0289-65	Turning device	Dispositif	3	
3	1	487 0289-64	Socket	Socle	3	
4	1	487 0510-30	Cable set	Ensemble de câbles	3	Gas
5	1	487 2226-87	Sign	Signe	3	
6	1	487 1969-88	Sign	Signe	3	Reset Gas
7	1	487 2293-42	Operation sign	Etiquette	3	
8	1	487 2565-01	Bracket	Console	3	
9	1	487 7057-40	Terminal	Terminal	3	
10	1	487 2541-01	Fitting	Garniture	3	
11	1	487 2466-54	Cable set	Ensemble de câbles	3	Frequency
12	1	487 2307-33	Spacer plate	Plaque d'écartement	3	Plastic
13	1	487 2574-01	Top panel	Panneau supérieur	3	
14	1	487 1600-16	Printed circuit board	Carte de circuit imprimé	1,2	Only for the swedish market
	1	487 2100-81	Printed circuit board	Carte de circuit imprimé	1,2	
15	1	487 2307-53	•Spacer	•Entretoise	1,2	Plastic
16	2	487 0281-16	•Spacer sleeve	•Manchon entretoise	1,2	
17	1	471 8750-17	Precision fuse	Fusible de précision	1,2	630mAT
18	1	471 8750-18	Precision fuse	Fusible de précision	1,2	1AT
19	1	487 2566-01	Rear panel	Plaque arrière	3	
20	1	487 2466-05	Cable set	Ensemble de câbles	3	Left
	1	487 2466-06	Cable set	Ensemble de câbles	3	Right
21	1	762 1212-10	Cable gland	Passe-fil	3	Ø38
22	1	487 2466-08	Cable set	Ensemble de câbles	3	Frequency



20 01 29

Issue	Month	Year
03	06	06

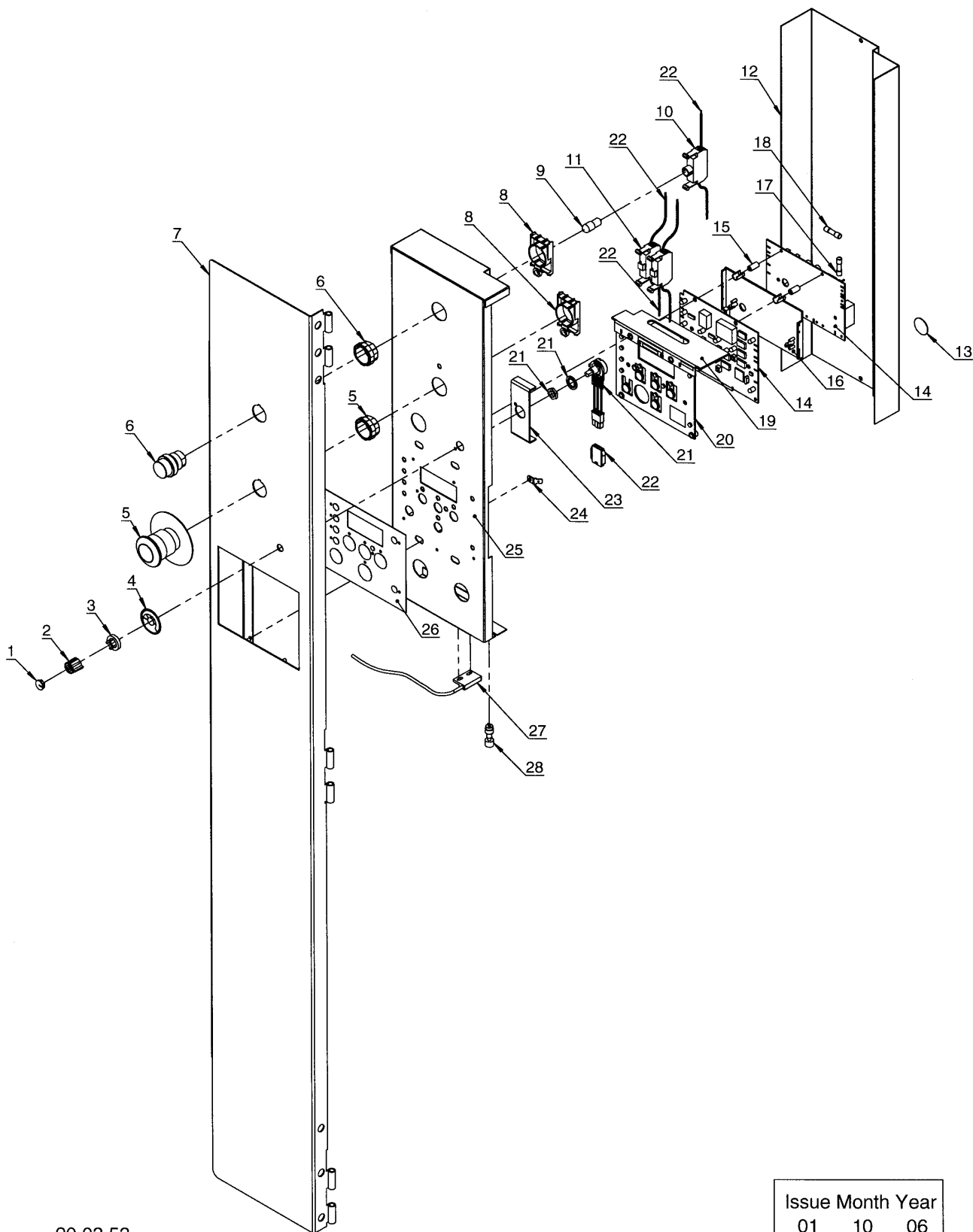
TD135 -21200/0001034

Front panel - Sliding Door/ frequency, complete

Illustration Issue Month Year
Schéma Issue Month Year
200129/3 4 9 2006

Panneau de façade - Sliding Door/ fréquence, complet

Item Article	Qua Qua	Art.No Réf. article	Description	Description	Info Info	Notes Remarques
1	1	487 0289-66	Cover button	Cache-bouton	3	
2	1	487 0289-65	Turning device	Dispositif	3	
3	1	487 0289-64	Socket	Socle	3	
4	1	487 0199-53	Potentiometer	Potentiomètre	3	Left-hinged
	1	487 0199-54	Potentiometer	Potentiomètre	3	Right-hinged
5	1	487 2226-87	Sign	Signe	3	Frequency
6	1	471 9628-32	Push-button	Bouton poussoir	3	Emergency stop
7	1	487 0289-75	Lamp	Lampe	3	Yellow
8	1	487 2426-70	Front panel	Panneau de façade	3	Left-hinged Frequency
	1	487 2426-71	Front panel	Panneau de façade	3	Right-hinged Frequency
	1	487 2426-74	Front panel	Panneau de façade	3	Left-hinged Standard
	1	487 2426-75	Front panel	Panneau de façade	3	Right-hinged Standard
9	2	471 9628-75	Bracket	Support	3	
10	1	487 0289-69	Glowing lamp	Lampa à incandescence	3	
11	1	487 0289-76	Lamp socket	Douille de lampe	3	
12	2	471 9628-70	Contact block	Bloc de connexion	3	Red
13	2	487 2405-38	Separating plate	Tôle de séparation	3	
14	1	487 2436-15	Fitting	Garniture	3	Potentiometer
15	1	487 2427-24	Cover	Couvercle	3	Electric Right-hinged
	1	487 2427-44	Cover	Couvercle	3	Electric Left-hinged
16	1	487 1969-88	Sign	Signe	3	Reset Gas
17	1	487 1714-70	Printed circuit board	Carte de circuit imprimé	1,2	Complete
18	4	487 1535-21	•Spacer element	•Pièce écartement	1,2	
19	1	487 7057-40	Terminal	Terminal	3	
20	1	487 2426-04	Hinge plate	Paumelle	3	Right-hinged
	1	487 2446-76	Hinge plate	Paumelle	3	Left-hinged
21	1	487 1924-03	Operation sign	Etiquette	3	OPL
22	1	487 1934-20	Cable set	Ensemble de câbles	3	Gas Reset



20 03 53

Issue	Month	Year
01	10	06

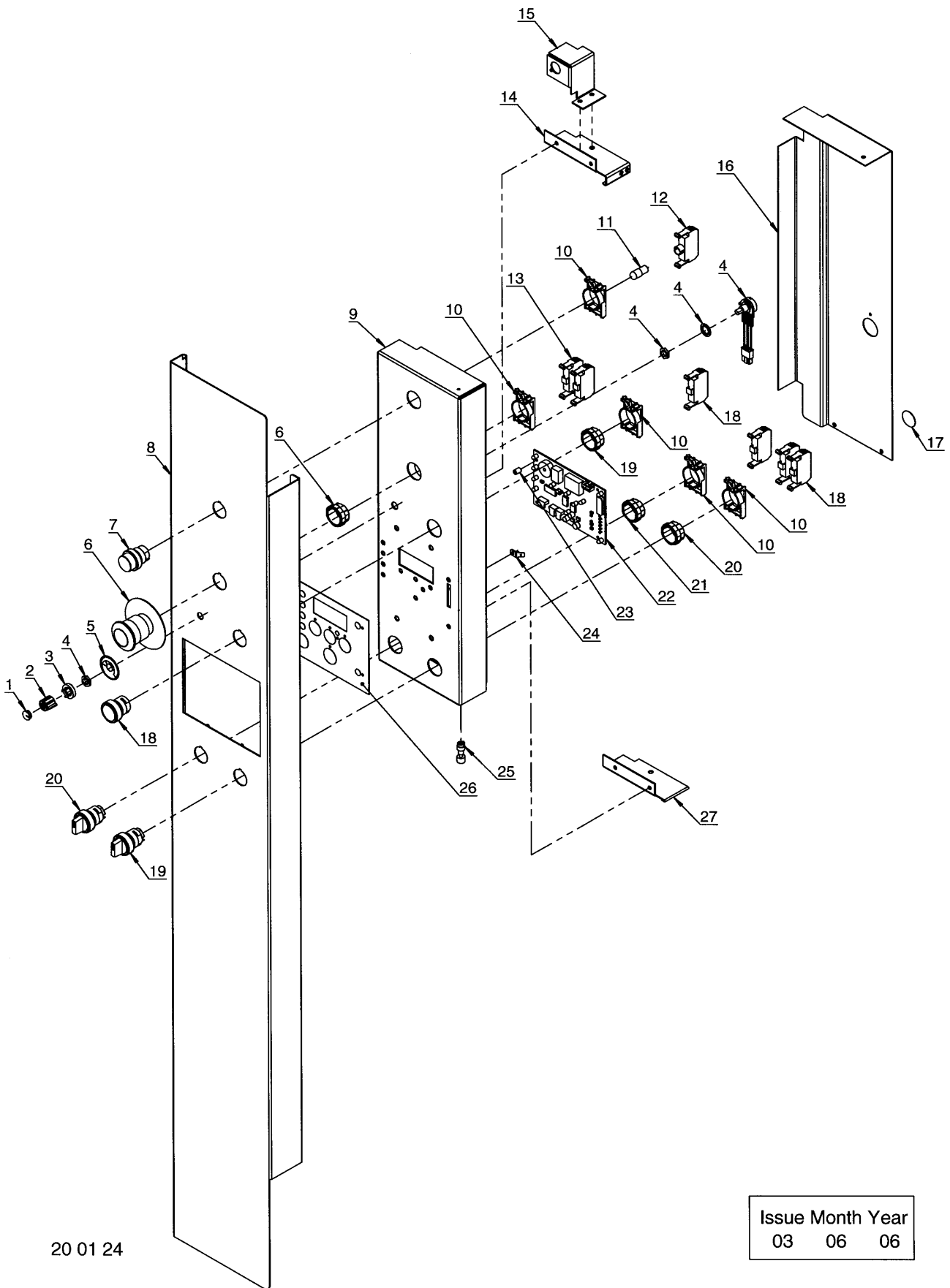
TD135 01200/0000002-

Front panel - Sliding Door/ frequency Selecta II

Illustration Issue Month Year
Schéma Issue Month Year
200353/1 2 4 2007

Panneau de façade - Sliding Door/ fréquence Selecta II

Item Article	Qua Qua	Art.No Réf. article	Description	Description	Info Info	Notes Remarques
1	1	487 0289-66	Cover button	Cache-bouton	3	
2	1	487 0289-65	Turning device	Dispositif	3	
3	1	487 0289-64	Socket	Socle	3	
4	1	487 2226-87	Sign	Signe	3	Frequency
5	1	471 9628-32	Push-button	Bouton poussoir	3	Emergency stop
6	1	487 0289-75	Lamp	Lampe	3	Yellow
7	1	487 2542-01	Front panel	Panneau de façade	3	Frequency Left-hinged
	1	487 2543-01	Front panel	Panneau de façade	3	Frequency Right-hinged
	1	487 2546-01	Front panel	Panneau de façade	3	Standard Left-hinged
	1	487 2570-01	Front panel	Panneau de façade	3	Standard Right-hinged
8	2	471 9628-75	Bracket	Support	3	Emergency stop
9	1	487 0289-69	Glowing lamp	Lampa à incandescence	3	
10	1	487 0289-76	Lamp socket	Douille de lampe	3	
11	2	471 9628-70	Contact block	Bloc de connexion	3	Red Emergency stop
12	1	487 2515-01	Cover	Couvercle	3	
13	1	487 1969-88	Sign	Signe	3	Reset Gas
14	1	487 1600-16	Printed circuit board	Carte de circuit imprimé	1,2	Only for the swedish market
	1	487 2100-81	Printed circuit board	Carte de circuit imprimé	1,2	
15	2	487 0281-16	•Spacer sleeve	•Manchon entretoise	1,2	
16	1	487 2307-53	•Spacer	•Entretoise	1,2	Plastic
17	1	471 8750-17	Precision fuse	Fusible de précision	1,2	630mAT
18	1	471 8750-18	Precision fuse	Fusible de précision	1,2	1AT
19	1	487 2574-01	Top panel	Panneau supérieur	3	
20	1	487 2307-33	Spacer plate	Plaque d'écartement	3	Plastic
21	1	487 2466-54	Cable set	Ensemble de câbles	3	
22	1	487 2466-00	Cable set	Ensemble de câbles	3	Left-hinged
	1	487 2466-01	Cable set	Ensemble de câbles	3	Right-hinged
23	1	487 2541-01	Fitting	Garniture	3	
24	1	487 7057-40	Terminal	Terminal	3	
25	1	487 2510-01	Hinge plate	Paumelle	3	Right-hinged
	1	487 2511-01	Hinge plate	Paumelle	3	Left-hinged
26	1	487 1924-03	Operation sign	Etiquette	3	OPL
27	1	487 0274-49	Magnetic switch	Disjoncteur magnétique	3	
28	1	487 0510-30	Cable set	Ensemble de câbles	3	Gas



20 01 24

Issue	Month	Year
03	06	06

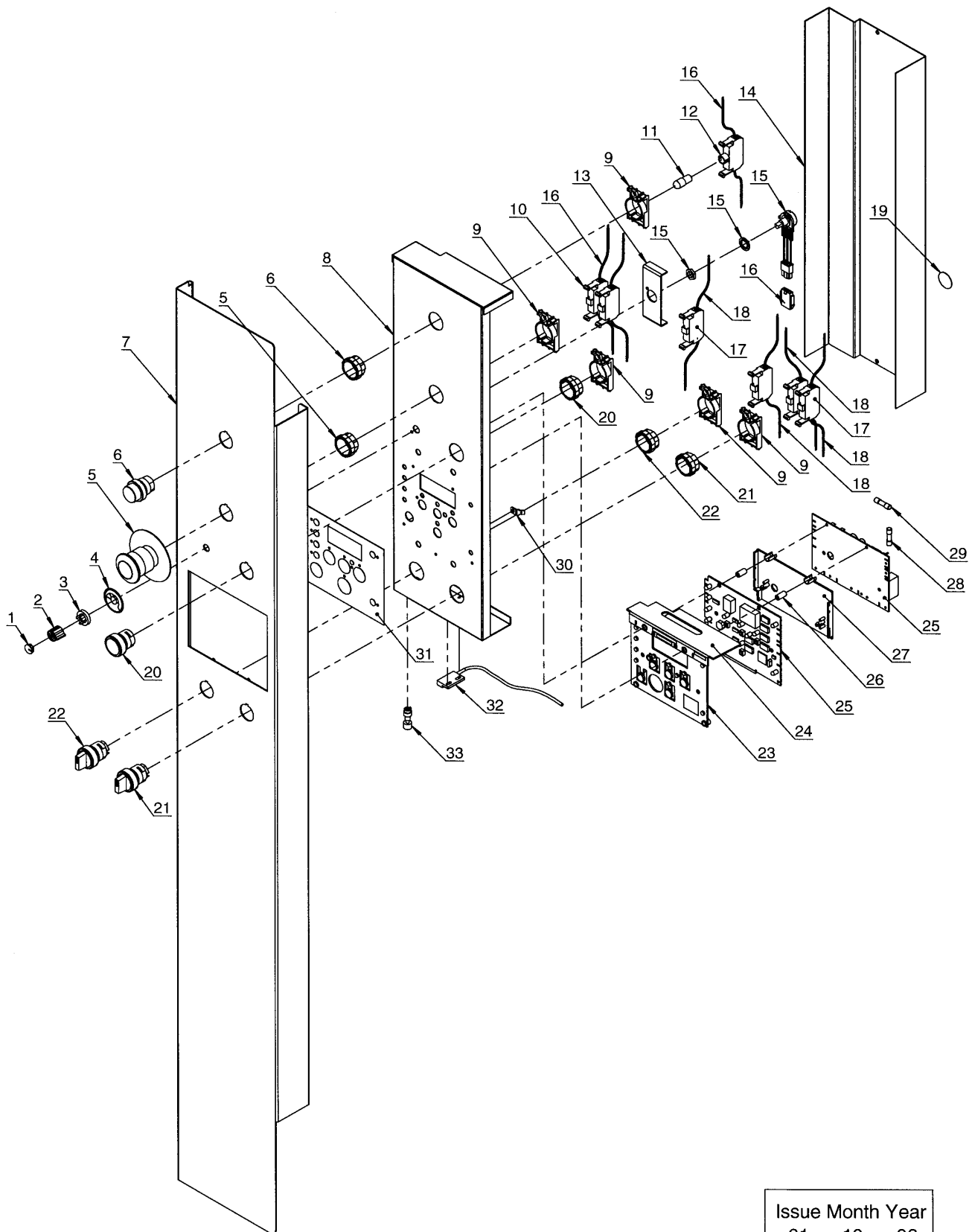
TD135 -21200/0001034

Front panel - tilt/ frequency, complete

Illustration Issue Month Year
Schéma Issue Month Year
200124/2 4 9 2006

Panneau de façade - inclinaison/ fréquence, complet

Item Article	Qua Qua	Art.No Réf. article	Description	Description	Info Info	Notes Remarques
1	1	487 0289-66	Cover button	Cache-bouton	3	
2	1	487 0289-65	Turning device	Dispositif	3	
3	1	487 0289-64	Socket	Socle	3	
4	1	487 0199-53	Potentiometer	Potentiomètre	3	Left-hinged
	1	487 0199-54	Potentiometer	Potentiomètre	3	Right-hinged
5	1	487 2226-87	Sign	Signe	3	Frequency
6	1	471 9628-32	Push-button	Bouton poussoir	3	Emergency stop
7	1	487 0289-75	Lamp	Lampe	3	Yellow
8	1	487 2426-68	Front panel	Panneau de façade	3	Left-hinged Tilt + frequency
	1	487 2426-69	Front panel	Panneau de façade	3	Right-hinged Tilt + frequency
	1	487 2426-72	Front panel	Panneau de façade	3	Left-hinged Tilt
	1	487 2426-73	Front panel	Panneau de façade	3	Right-hinged Tilt
9	1	487 2426-04	Hinge plate	Paumelle	3	Right-hinged
	1	487 2446-76	Hinge plate	Paumelle	3	Left-hinged
10	5	471 9628-75	Bracket	Support	3	
11	1	487 0289-69	Glowing lamp	Lampa à incandescence	3	
12	1	487 0289-76	Lamp socket	Douille de lampe	3	
13	2	471 9628-70	Contact block	Bloc de connexion	3	Red Red
14	1	487 2426-96	Separating plate	Tôle de séparation	3	
15	1	487 2436-16	Fitting	Garniture	3	Potentiometer
16	1	487 2427-24	Cover	Couvercle	3	Electric Right-hinged
	1	487 2427-44	Cover	Couvercle	3	Electric Left-hinged
17	1	487 1969-88	Sign	Signe	3	Reset Gas
18	4	471 9628-71	Contact block	Bloc de connexion	3	Green
19	1	487 0289-74	Push-button	Bouton poussoir	3	
20	1	487 0289-73	Turning device	Dispositif	3	
21	1	487 0289-72	Turning device	Dispositif	3	Tilt
22	1	487 1714-70	Printed circuit board	Carte de circuit imprimé	1,2	Complete
23	4	487 1535-21	•Spacer element	•Pièce écartement	1,2	
24	1	487 7057-40	Terminal	Terminal	3	
25	1	487 1934-20	Cable set	Ensemble de câbles	3	Gas Reset
26	1	487 1924-03	Operation sign	Etiquette	3	OPL
27	1	487 2436-04	Separating plate	Tôle de séparation	3	



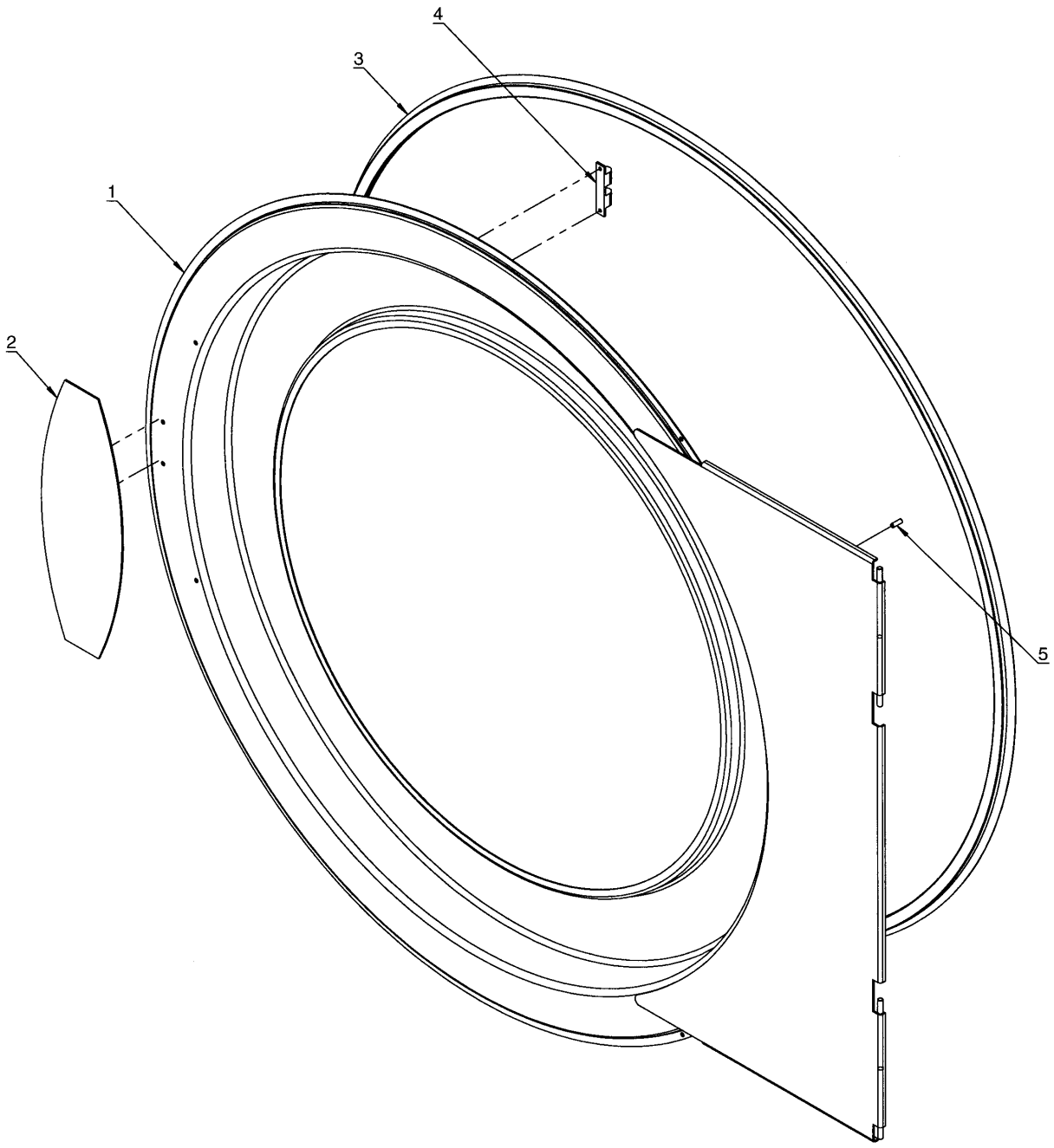
TD135 01200/0000002-

Front panel - tilt/ frequency Selecta II

Illustration	Issue	Month	Year
Schéma	Issue	Month	Year
200354/1	2	4	2007

Panneau de façade - inclinaison/ fréquence Selecta II

Item Article	Qua Qua	Art.No Réf. article	Description	Description	Info Info	Notes Remarques
1	1	487 0289-66	Cover button	Cache-bouton	3	
2	1	487 0289-65	Turning device	Dispositif	3	
3	1	487 0289-64	Socket	Socle	3	
4	1	487 2226-87	Sign	Signe	3	Frequency
5	1	471 9628-32	Push-button	Bouton poussoir	3	Emergency stop
6	1	487 0289-75	Lamp	Lampe	3	Yellow
7	1	487 2517-01	Front panel	Panneau de façade	3	Tilt + frequency Left-hinged
	1	487 2518-01	Front panel	Panneau de façade	3	Tilt + frequency Right-hinged
8	1	487 2510-01	Hinge plate	Paumelle	3	Right-hinged
	1	487 2511-01	Hinge plate	Paumelle	3	Left-hinged
9	5	471 9628-75	Bracket	Support	3	
10	2	471 9628-70	Contact block	Bloc de connexion	3	Red
11	1	487 0289-69	Glowing lamp	Lampa à incandescence	3	
12	1	487 0289-76	Lamp socket	Douille de lampe	3	
13	1	487 2541-01	Fitting	Garniture	3	
14	1	487 2515-01	Cover	Couvercle	3	
15	1	487 2466-54	Cable set	Ensemble de câbles	3	
16	1	487 2466-00	Cable set	Ensemble de câbles	3	Left-hinged
	1	487 2466-01	Cable set	Ensemble de câbles	3	Right-hinged
17	4	471 9628-71	Contact block	Bloc de connexion	3	Green
18	1	487 2466-10	Cable set	Ensemble de câbles	3	Tilt
19	1	487 1969-88	Sign	Signe	3	Reset Gas
20	1	487 0289-74	Push-button	Bouton poussoir	3	
21	1	487 0289-73	Turning device	Dispositif	3	
22	1	487 0289-72	Turning device	Dispositif	3	Tilt
23	1	487 2307-33	Spacer plate	Plaque d'écartement	3	Plastic
24	1	487 2574-01	Top panel	Panneau supérieur	3	
25	1	487 1600-16	Printed circuit board	Carte de circuit imprimé	1,2	Only for the swedish market
	1	487 2100-81	Printed circuit board	Carte de circuit imprimé	1,2	
26	2	487 0281-16	•Spacer sleeve	•Manchon entretoise	1,2	
27	1	487 2307-53	•Spacer	•Entretoise	1,2	Plastic
28	1	471 8750-17	Precision fuse	Fusible de précision	1,2	630mAT
29	1	471 8750-18	Precision fuse	Fusible de précision	1,2	1AT
30	1	487 7057-40	Terminal	Terminal	3	
31	1	487 1924-03	Operation sign	Etiquette	3	OPL
32	1	487 0274-49	Magnetic switch	Disjoncteur magnétique	1,2	
33	1	487 0510-30	Cable set	Ensemble de câbles	3	Gas



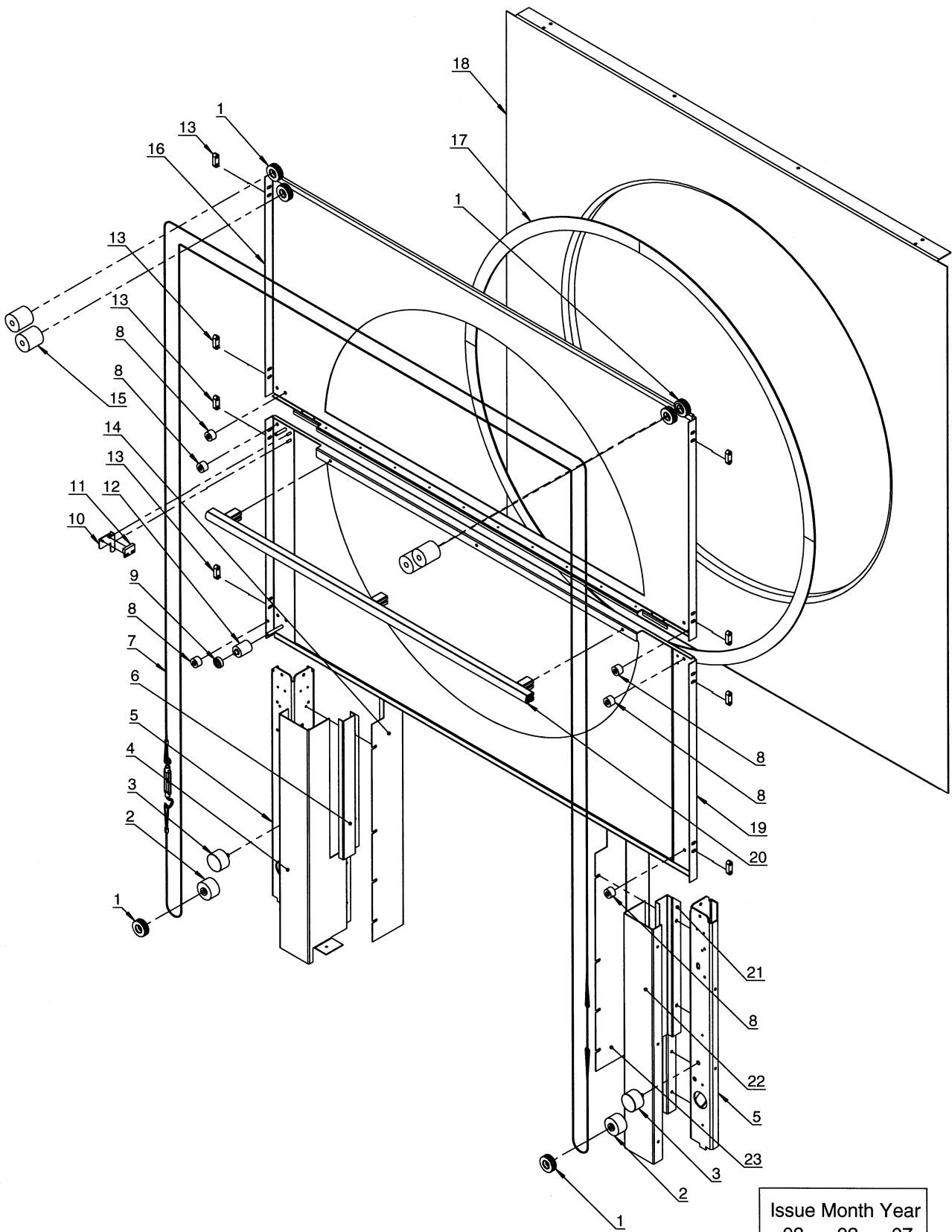
TD135

Door complete

Plaque complète

Illustration Issue Month Year
Schéma Issue Month Year
200027/3 4 10 2006

Item Article	Qua Qua	Art.No Réf. article	Description	Description	Info Info	Notes Remarques
1	1 1	487 2449-10 487 2573-01	Door Door	Plaque Plaque	3 3	Glued -21200/0001034 Selecta II Glued
2	1	487 0191-28	•Handle	•Manivelle	3	01200/0000002- Silvergrey
3	1	487 2400-24	•Door gasket	•Joint de la porte	1	
4	1	487 0215-73	Snap catch	Cliquet	3	
5	1	487 1756-35	Bushing	Douille	3	-21200/0001034



20 01 25

Issue	Month	Year
03	02	07

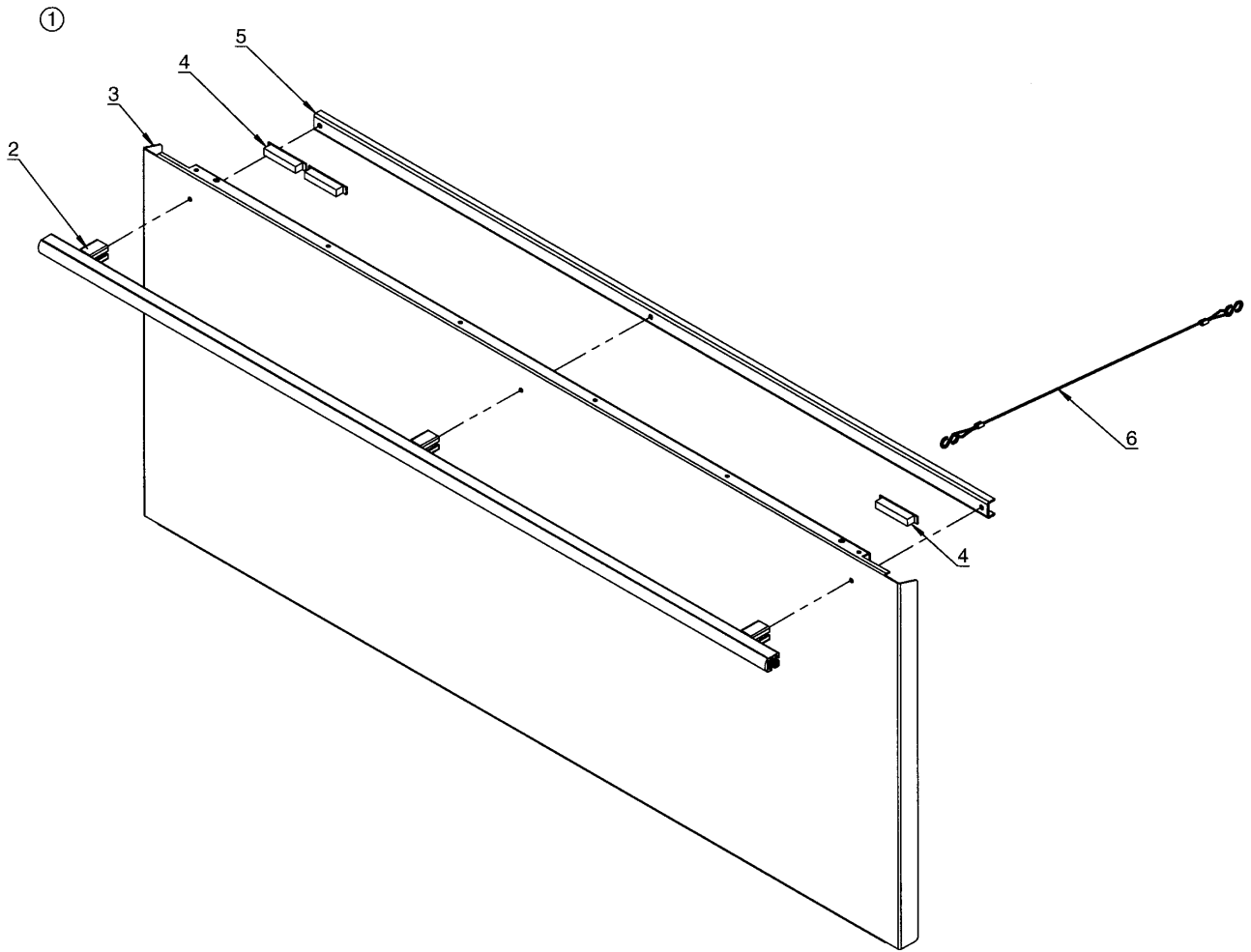
TD135

Door complete - Sliding Door

Plaque complète - Sliding Door

Illustration Issue Month Year
Schéma Issue Month Year
200125/3 4 4 2007

Item Article	Qua Qua	Art.No Réf. article	Description	Description	Info Info	Notes Remarques
1	6	487 2426-85	Wheel	Roue	3	Complete Steel wire
2	2	487 2426-22	Bushing	Douille	3	Bottom
3	2	487 2426-50	Rubber bushing	Douille caoutchouc	3	
4	1	487 2426-09	Panel	Panneau	3	Left Bottom
5	2	487 2400-26	Post	Montant	3	-21200/0001034
	2	487 2519-01	Post	Montant	3	01200/0000002-
6	1	487 2426-02	Panel	Panneau	3	Left Bottom
7	1	487 2436-11	Steel wire	Câble métallique	3	Complete
8	6	487 2426-36	Bushing	Douille	3	-21200/0001034
	6	487 2516-01	Bushing	Douille	3	01200/0000002-
9	1	487 2426-31	Ball bearing	Roulement à billes	3	
10	1	487 2524-01	Bracket	Support	3	01200/0000002-
11	1	487 2307-25	Magnet	Aimant	3	01200/0000002-
12	1	487 2426-39	Bearing cage	Cage de palier	3	
13	8	487 2426-79	Guiding element	Elément de guidage	3	
14	1	487 2537-01	Cover plate	Tôle de fermeyure	3	Left Selecta II 00900/0000002-
15	4	487 2426-20	Bushing	Douille	3	
16	1	487 2448-72	Door with glass	Porte vitrée	3	Upper Control panel left side -21200/0001034
	1	487 2436-09	Door with glass	Porte vitrée	3	Upper Control panel right side -21200/0001304
	1	487 2577-02	Door with glass	Porte vitrée	3	Upper Control panel left side 01200/0000002-
	1	487 2578-02	Door with glass	Porte vitrée	3	Upper Control panel right side 01200/0000002-
17	4	487 2426-76	Felt sealing	Joint feutre	1	
18	1	487 2439-55	Front	Devant	3	Stainless
19	1	487 2448-76	Door with glass	Porte vitrée	3	Lower Control panel left side -21200/0001034
	1	487 2436-07	Door with glass	Porte vitrée	3	Lower Control panel right side -21200/0001034
	1	487 2539-02	Door with glass	Porte vitrée	3	Lower Control panel left side 01200/0000002-
	1	487 2540-02	Door with glass	Porte vitrée	3	Lower Control panel right side 01200/0000002-
20	1	487 2426-82	•Handle	•Manivelle	3	Complete
21	1	487 2426-55	Panel	Panneau	3	Right Bottom
22	1	487 2426-08	Panel	Panneau	3	Right Bottom
23	1	487 2535-01	Cover plate	Tôle de fermeyure	3	Right Selecta II 01200/0000002-



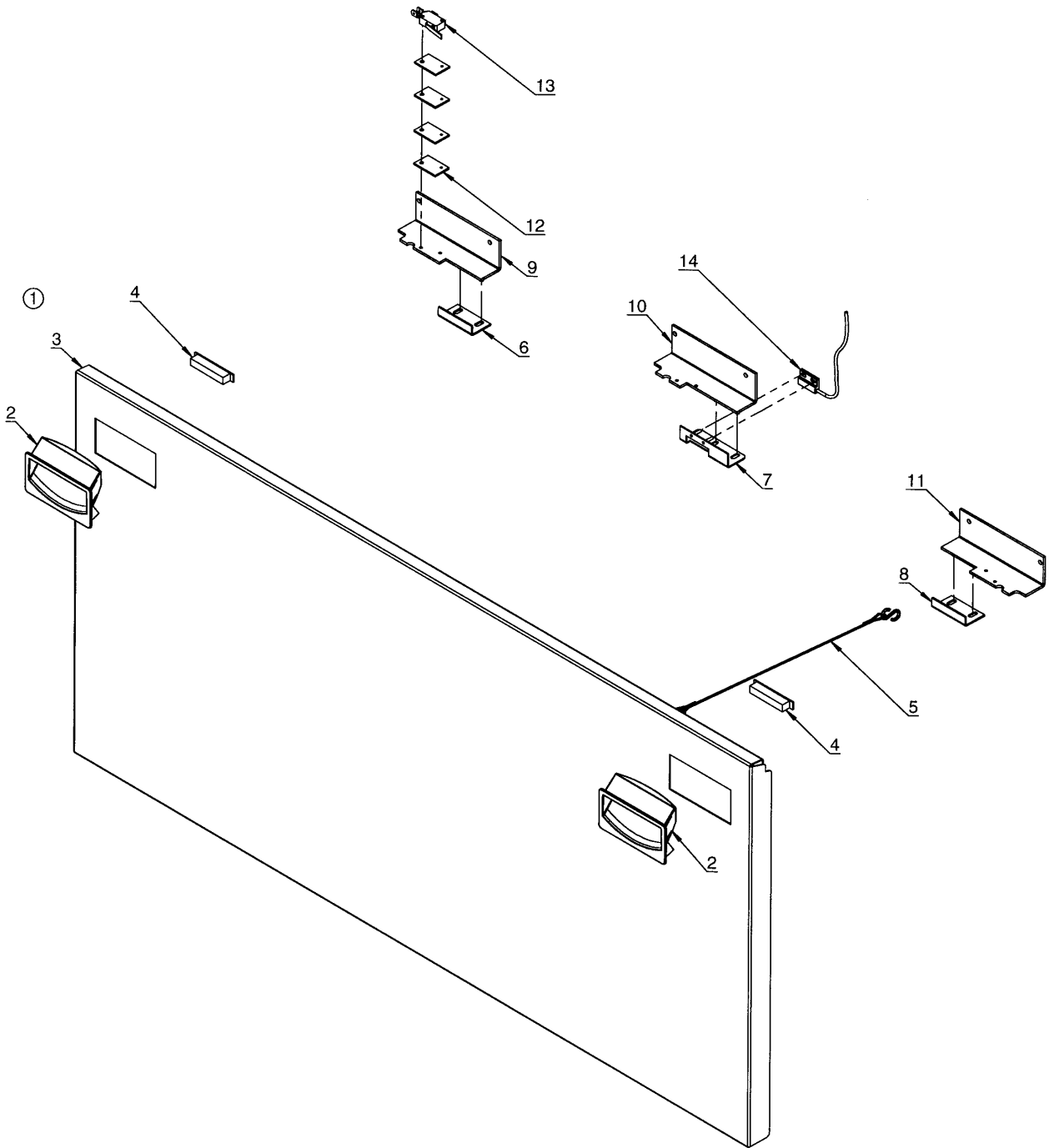
TD135

Filter hatch, joined

Plaque filtre, collecté

Illustration Issue Month Year
Schéma Issue Month Year
200130/1 8 2 2007

Item Article	Qua Qua	Art.No Réf. article	Description	Description	Info Info	Notes Remarques	
1	1	487 1714-71	Filter hatch	Volet du filtre	3	White Complete -21200/0001034	
	1	487 1714-72	Filter hatch	Volet du filtre	3	Red Complete -21200/0001034	
	1	487 1714-73	Filter hatch	Volet du filtre	3	Green Complete -21200/0001034	
	1	487 1714-74	Filter hatch	Volet du filtre	3	Stainless Complete -21200/0001034	
	1	487 1714-75	Filter hatch	Volet du filtre	3	Beige Complete -21200/0001034	
	1	487 1714-76	Filter hatch	Volet du filtre	3	Ivory Complete -21200/0001034	
	1	487 0998-01	Filter hatch	Volet du filtre	3	White 01200/0000002-	
	1	487 0998-02	Filter hatch	Volet du filtre	3	Red 01200/0000002-	
	1	487 0998-03	Filter hatch	Volet du filtre	3	Green 01200/0000002-	
	1	487099804	Filter hatch	Volet du filtre	3	Selecta II Stainless 01200/0000002-	
	1	487 0998-05	Filter hatch	Volet du filtre	3	Selecta II Almond 01200/0000002-	
	1	487 0998-06	Filter hatch	Volet du filtre	3	Ivory 01200/0000002-	
	2 3	1	487 1935-74	•Handle	•Manivelle	3	Complete
		1	487 2450-05	•Filter hatch	•Volet du filtre	3	White -21200/0001034
		1	487 2450-06	•Filter hatch	•Volet du filtre	3	Red -21200/0001034
1		487 2450-41	•Filter hatch	•Volet du filtre	3	Green -21200/0001034	
1		487 2450-55	•Filter hatch	•Volet du filtre	3	Stainless -21200/0001034	
1		487 2450-63	•Filter hatch	•Volet du filtre	3	Beige -21200/0001034	
1		487 2450-77	•Filter hatch	•Volet du filtre	3	Ivory -21200/0001034	
1		487 2575-05	•Filter hatch	•Volet du filtre	3	White 01200/0000002-	
1		487 2575-06	•Filter hatch	•Volet du filtre	3	Selecta II Red 01200/0000002-	
1		487 2575-41	•Filter hatch	•Volet du filtre	3	Selecta II Green 01200/0000002-	
1		487 2575-63	•Filter hatch	•Volet du filtre	3	Selecta II Almond 01200/0000002-	
1		487 2575-77	•Filter hatch	•Volet du filtre	3	Selecta II Ivory 01200/0000002-	
4		1	487 2576-55	•Filter hatch	•Volet du filtre	3	Stainless 01200/0000002-
		2	487 1875-30	•Magnetic lock	•Verrouillage magnétique	3	-21200/504
		2	487 1510-88	•Magnetic lock	•Verrouillage magnétique	3	21200/505-0001034
5 6	3	487 1510-88	•Magnetic lock	•Verrouillage magnétique	3	01200/0000002-	
	1	487 2446-90	•Support	•Support	3		
1	487 1974-96	Steel wire	Câble métallique	3	Complete		



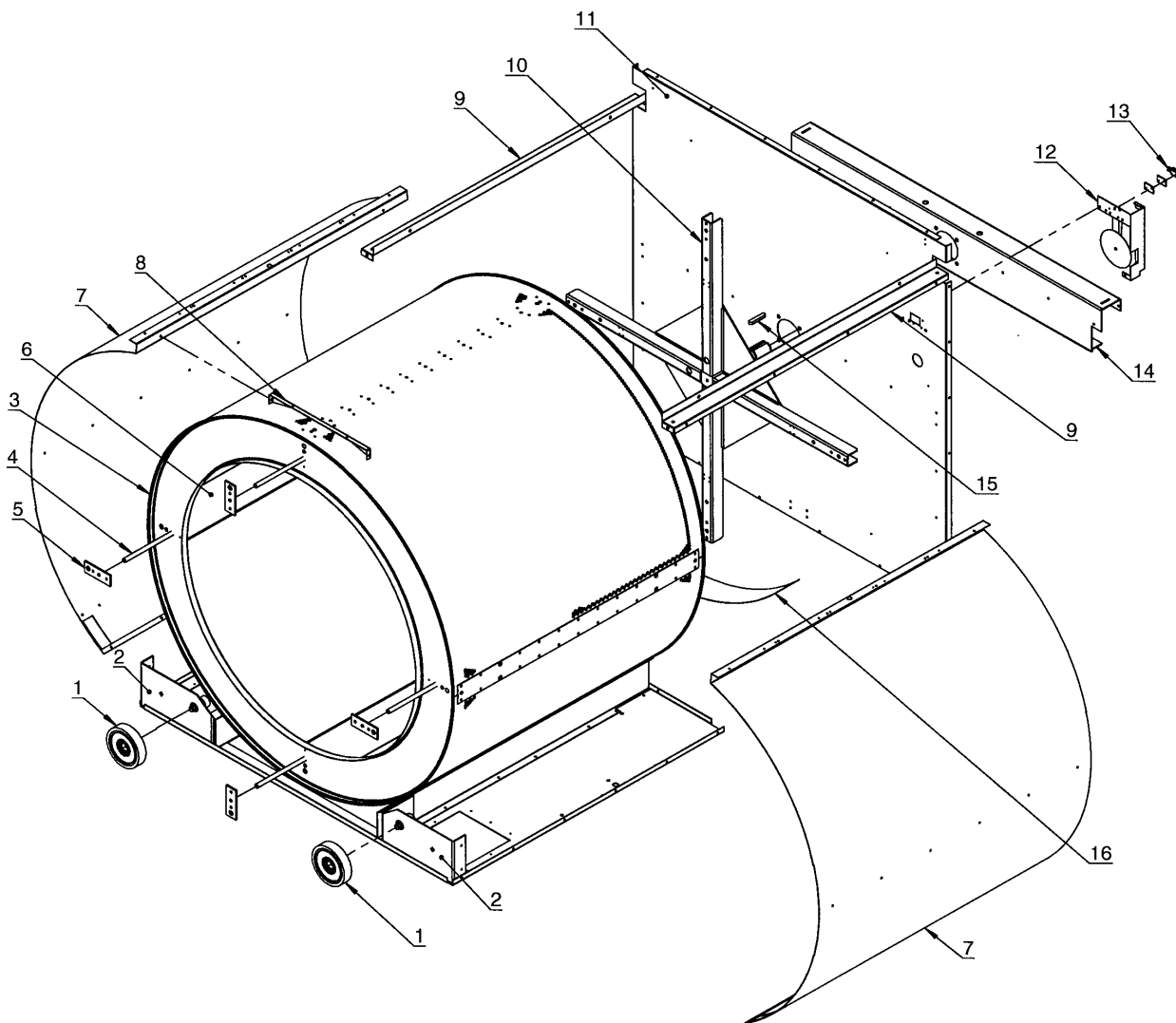
TD135

Filter hatch, joined - Sliding Door

Plaque filtre, collecté - Sliding Door

Illustration Issue Month Year
Schéma Issue Month Year
200127/2 3 12 2006

Item Article	Qua Qua	Art.No Réf. article	Description	Description	Info Info	Notes Remarques
1	1	487 1935-53	Filter hatch	Volet du filtre	3	Stainless
2	2	487 1920-05	•Handle	•Manivelle	3	
3	1	487 2427-55	•Filter hatch	•Volet du filtre	3	Stainless
4	2	487 1510-88	•Magnetic lock	•Verrouillage magnétique	3	
5	1	487 1974-96	Steel wire	Câble métallique	3	Complete
6	2	487 2447-61	Bracket	Support	3	Magnet -21200/0001034
7	1	487 2526-01	Bracket	Support	3	-21200/0001034
8	1	487 2447-61	Bracket	Support	3	Right
9	1	487 2426-60	Fitting	Garniture	3	Left -21200/0001034
10	1	487 2527-01	Fitting	Garniture	3	01200/0000002-
11	1	487 2426-94	Bracket	Support	3	Right -21200/0001034
12	4	471 2068-48	Insulation	Isolation	3	-21200/0001034
13	1	487 1898-10	Microswitch	Microrupteur	1,2	-21200/0001034
14	1	487 0274-49	Magnetic switch	Disjoncteur magnétique	1,2	01200/0000002-



Issue Month Year
05 12 05

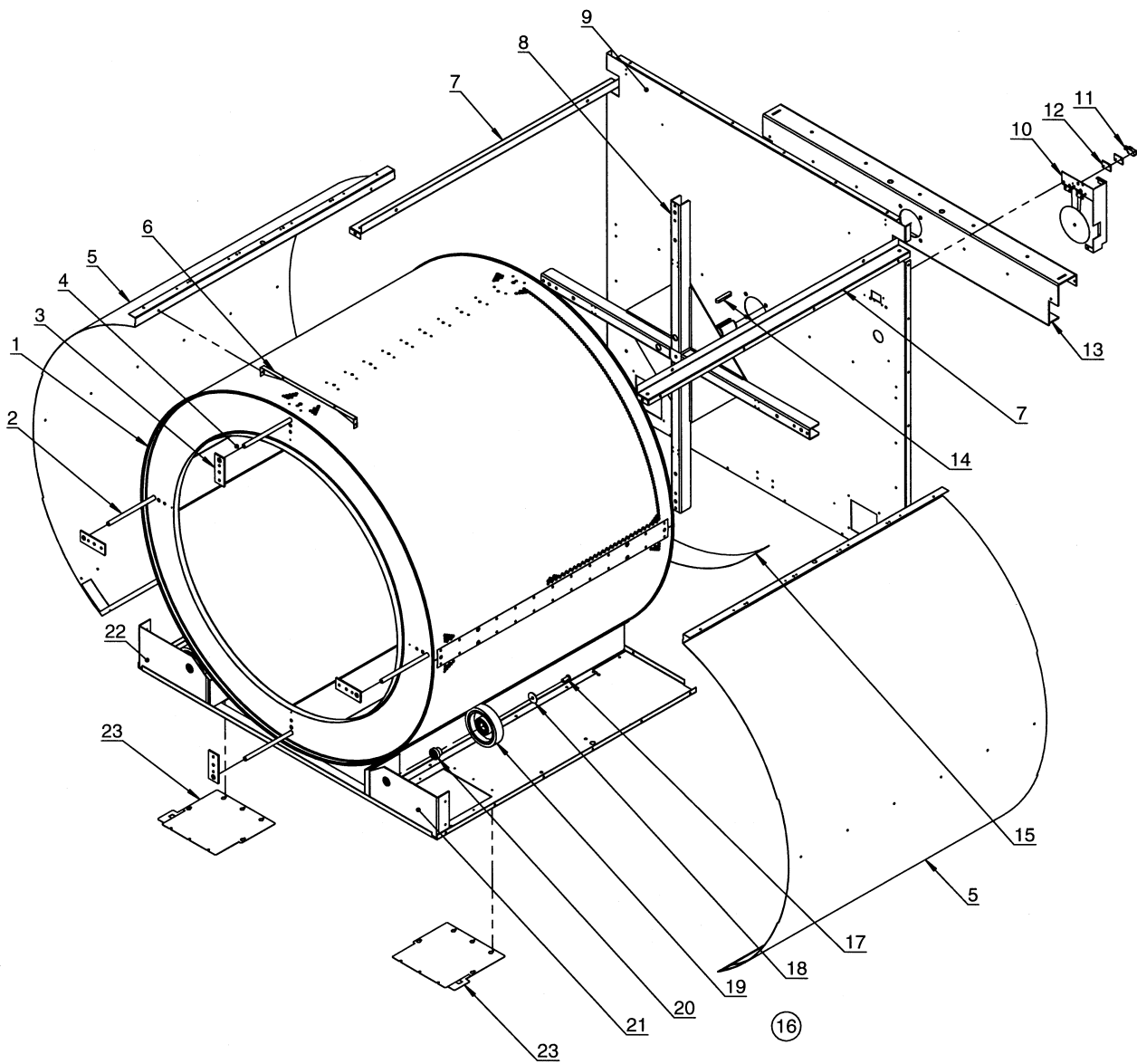
TD135 -21200/0000357

Drum, compl.

Tambour, complet

Illustration Issue Month Year
Schéma Issue Month Year
200026/5 10 10 2006

Item Article	Qua Qua	Art.No Réf. article	Description	Description	Info Info	Notes Remarques
1	2	487 1600-02	Support roller	Galet de soutien	3	Complete Repair kit
2	2	487 0098-12	•Support roller	•Galet de soutien	3	With ball bearing
3	1	487 2408-14	Drum	Tambour	3	Galvanised Complete
	1	487 2408-13	Drum	Tambour	3	Stainless Complete
4	4	487 1820-78	•Brace	•Montant	3	
5	4	487 2408-05	•End stop	•Butée	3	
6	4	487 2400-07	•Lifter	•Battoir	3	Galvanised
	4	487 2400-17	•Lifter	•Battoir	3	Stainless
7	2	487 2400-42	Casing	Carter	3	
8	1	487 2400-57	Profile	Profilé d'assemblage	3	
9	2	487 2400-62	Cable retainer	Support de câble	3	
10	1	487 2400-12	Shaft cross	Croix d'arbres	3	
11	1	487 2400-46	Rear panel	Plaque arrière	3	
12	1	487 2408-83	Assembly plate	Plaque de montage	3	Complete
13	1	487 1897-05	Microswitch	Microrupteur	1,2	
14	1	487 2400-40	Cross beam	Poutre transversale	3	
15	1	487 2400-89	Wedge	Cheville	3	A12X8X63
16	1	487 2400-58	Air reducing plate	Tôle de réduction	3	



20 01 40

Issue Month Year
06 02 07

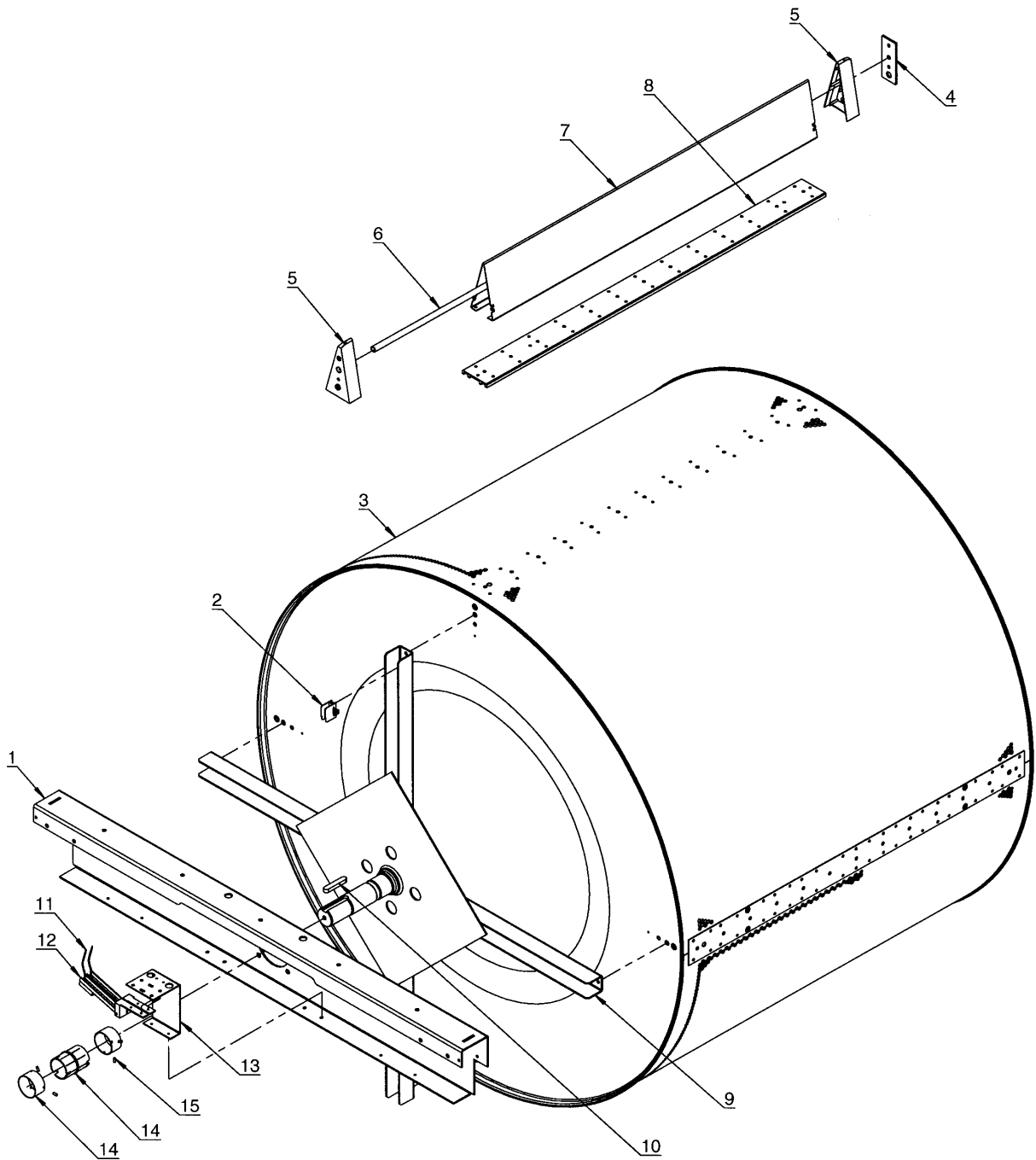
TD135 21200/0000358-

Drum, compl.

Tambour, complet

Illustration Issue Month Year
Schéma Issue Month Year
200140/6 10 2 2007

Item Article	Qua Qua	Art.No Réf. article	Description	Description	Info Info	Notes Remarques
1	1	487 2408-14	Drum	Tambour	3	Galvanised Complete
	1	487 2408-13	Drum	Tambour	3	Stainless Complete
2	4	487 1820-78	•Brace	•Montant	3	
3	4	487 2408-05	•End stop	•Butée	3	
4	4	487 2400-07	•Lifter	•Battoir	3	Galvanised
	4	487 2400-17	•Lifter	•Battoir	3	Stainless
5	2	487 2400-42	Casing	Carter	3	-21200/0001034
	2	487 2568-01	Casing	Carter	3	Selecta II 01200/0000002-
6	1	487 2400-57	Profile	Profilé d'assemblage	3	
7	2	487 2400-62	Cable retainer	Support de câble	3	
8	1	487 2400-12	Shaft cross	Croix d'arbres	3	
9	1	487 2400-46	Rear panel	Plaque arrière	3	-21200/0001034
	1	487 2531-01	Rear panel	Plaque arrière	3	Selecta II 01200/0000002-
10	1	487 2408-83	Assembly plate	Plaque de montage	3	Complete
11	1	487 1897-05	Microswitch	Microrupteur	3	
12	2	487 1492-01	Insulation	Isolation	3	
13	1	487 2400-40	Cross beam	Poutre transversale	3	-21200/0001034
	1	487 2547-01	Cross beam	Poutre transversale	3	Selecta II 01200/0000002-
14	1	487 2400-89	Wedge	Cheville	3	A12X8X63
15	1	487 2400-58	Air reducing plate	Tôle de réduction	3	
16	1	487 2408-79	Support roller	Galet de soutien	3	Complete
17	2	725 2497-51	•Screw	•Vis	3	M10X35
18	2	487 2422-83	•Disc	•Disque	3	Ø35XØ10,5X4
19	2	487 0098-12	•Support roller	•Galet de soutien	3	With ball bearing
20	2	487 2422-82	•Shaft	•Axe	3	
21	1	487 2422-86	•Bracket	•Console	3	Right
22	1	487 2422-85	•Bracket	•Console	3	Left
23	2	487 2422-84	Cover plate	Tôle de fermeyure	3	-21200/0001034
	2	487 2569-01	Cover plate	Tôle de fermeyure	3	Selecta II 01200/0000002-



Issue Month Year
03 10 06

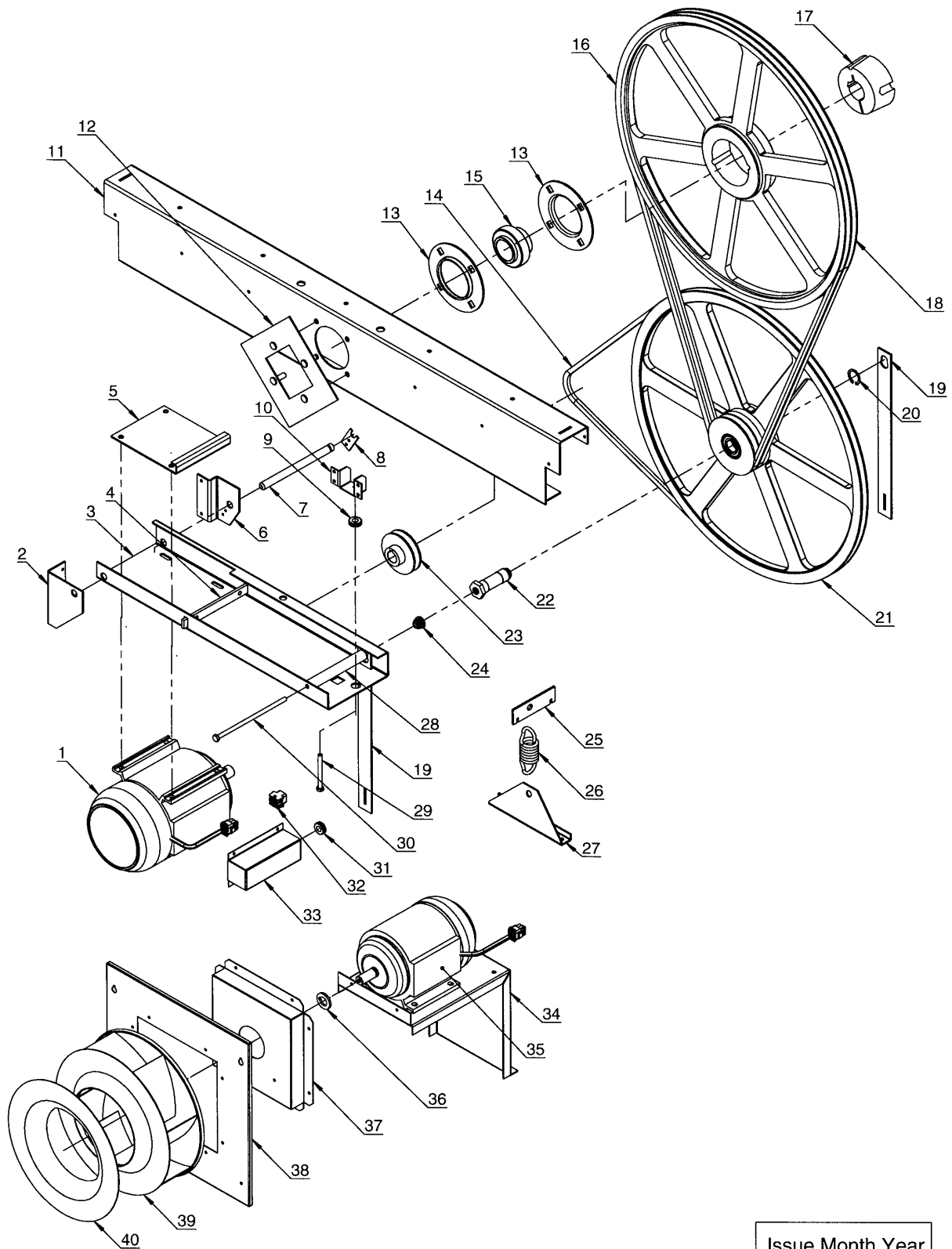
TD135

Drum with moisture sensor

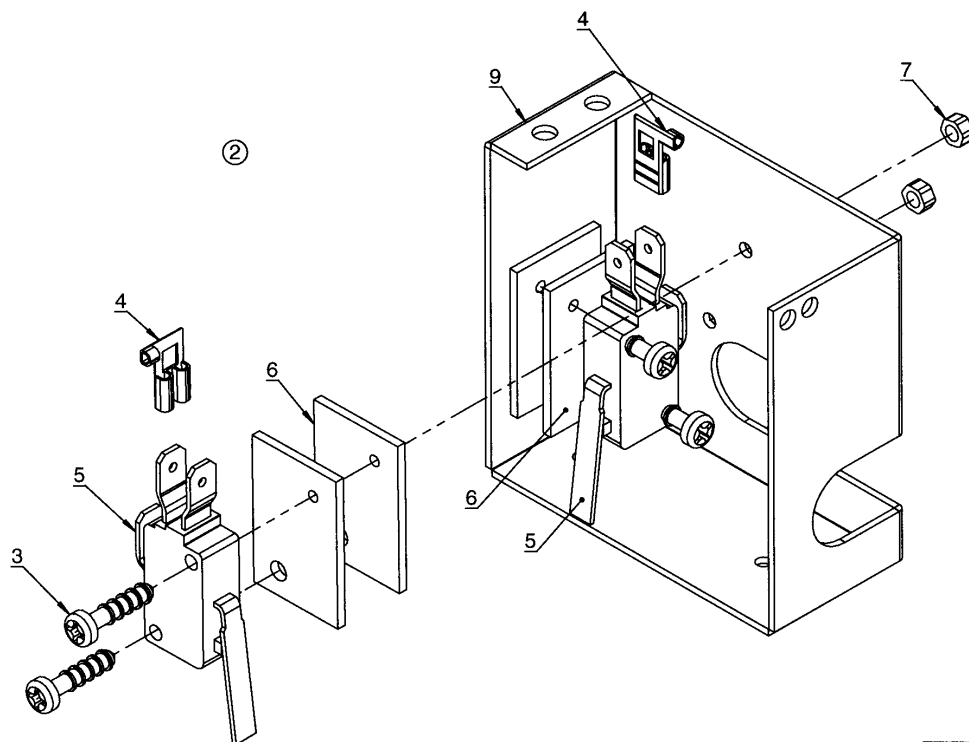
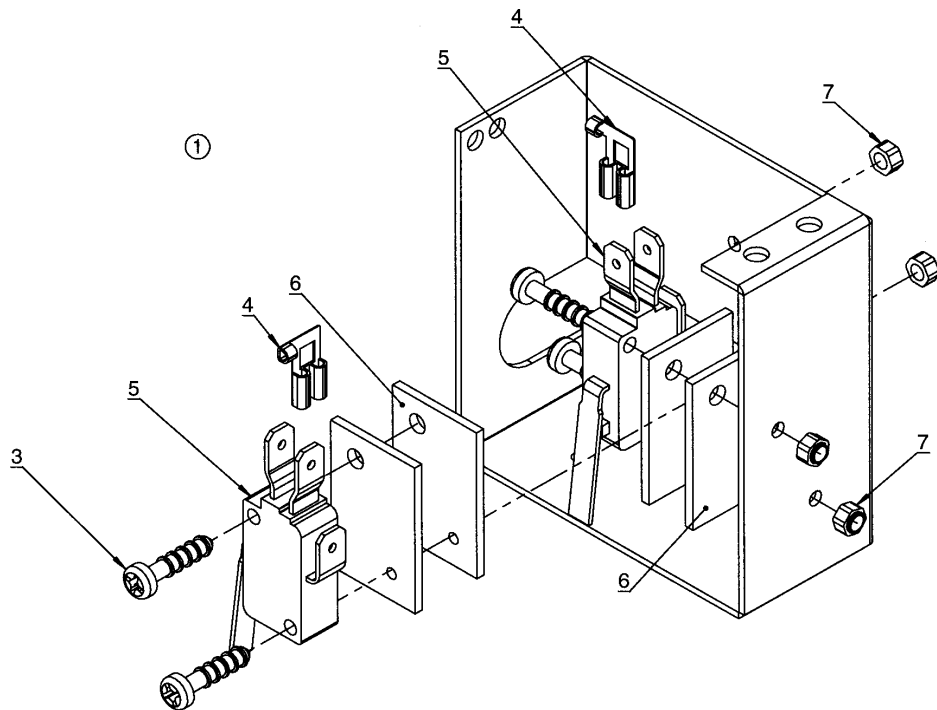
Tambour avec capteur humidité

Illustration Issue Month Year
Schéma Issue Month Year
200122/3 5 10 2006

Item Article	Qua Qua	Art.No Réf. article	Description	Description	Info Info	Notes Remarques
1	1	487 2400-40	Cross beam	Poutre transversale	3	-21200/0001034
	1	487 2547-01	Cross beam	Poutre transversale	3	01200/0000002-
2	1	487 0199-49	Cable set	Ensemble de câbles	3	
3	1	487 2408-18	Drum	Tambour	3	Galvanised Complete
	1	487 2408-17	Drum	Tambour	3	Stainless Complete
4	4	487 2408-05	•End stop	•Butée	3	
5	2	487 2422-72	•End part	•Plaque désenclenchement	3	
6	1	487 1820-79	•Brace	•Montant	3	
7	1	487 2000-13	•Lifter	•Battoir	3	Galvanised
	1	487 2000-14	•Lifter	•Battoir	3	Stainless
8	1	487 2422-74	•Profile	•Profilé	3	
9	1	487 2422-90	Shaft cross	Croix d'arbres	3	
10	1	487 2400-89	Wedge	Cheville	3	A12X8X63
11	1	487 0199-48	Cable set	Ensemble de câbles	3	-21200/0001034
	1	487 2466-99	Cable set	Ensemble de câbles	3	Selecta II 01200/0000002-
12	2	487 2327-95	Sensor	Détecteur	1	Complete
13	1	487 2427-46	Fitting	Garniture	3	-21200/705
	1	487 2411-90	Fitting	Garniture	3	21200/706-
14	1	487 1831-00	Sensor	Détecteur	3	Complete
15	3	728 5289-00	•Screw	•Vis	3	M4x10



TD135				Illustration	Issue	Month	Year
Motor				Schéma	Issue	Month	Year
Moteur				200028/2	12	10	2006
Item	Qua	Art.No	Description	Description	Info	Notes	
Article	Qua	Réf. article			Info	Remarques	
1	1	487 0215-81	Motor	Moteur	1,2	Drum	
2	1	487 2400-43	Bracket	Console	3	Foremost	
3	1	487 2400-52	Motor bracket	Appui de moteur	3		
4	1	487 2400-76	Belt tensioner	Tendeur de courroie	3		
5	1	487 2400-44	Plate	Plaque	3		
6	1	487 2400-39	Bracket	Console	3	Hindmost	
7	1	487 2400-37	Shaft	Axe	3		
8	1	487 2400-74	Locking plate	Gâche de serrure	3		
9	1	487 2412-12	Rubber bushing	Douille caoutchouc	3	Ø12/Ø18X3	
10	1	487 2400-66	Safety plate	Garniture de sécurité	3		
11	1	487 2400-40	Cross beam	Poutre traversale	3	-21200/0001034	
	1	487 2547-01	Cross beam	Poutre traversale	3	01200/0000002-	
12	1	487 2400-55	Support plate	Panneau de support	3		
13	1	487 1695-48	Bearing disc	Disque de roulement	3		
14	1	487 2400-83	V-belt	Courroie trapézoïdale	1,2		
15	1	487 1695-49	Bearing	Coussinet	1,2		
16	1	487 2400-81	Pulley	Poulie	3	Ø630	
17	1	487 2400-82	Clamping sleeve	Gaine de serrage	3	Ø42	
18	2	487 2400-84	V-belt	Courroie trapézoïdale	1,2		
19	2	487 2400-45	Fitting	Garniture	3		
20	1	735 3126-00	C-clamp	Attache en forme C	3	D25	
21	1	487 2400-00	Pulley	Poulie	3	With ball bearing	
22	1	487 2400-09	Shaft	Axe	3		
23	1	487 2400-08	Pulley	Poulie	3	Ø81 50Hz and frequency controlled	
	1	487 2405-66	Pulley	Poulie	3	Ø70 60Hz	
24	1	487 2405-01	Bushing	Douille	3		
25	1	487 2400-48	Bracket	Support	3		
26	1	487 2400-98	Spring	Ressort	3		
27	1	487 2400-75	Belt tensioner	Tendeur de courroie	3		
28	1	487 2405-78	Spacer sleeve	Manchon entretoise	3		
29	1	725 2477-51	Screw	Vis	3	M8X130	
30	1	487 2400-63	Bolt	Boulon	3	M8X190	
31	1	487 1654-06	Rubber bushing	Douille caoutchouc	3	Ø12/Ø18X3	
32	1	487 0199-10	Cable set	Ensemble de câbles	3	200-240V -21200/0001034	
	1	487 0199-11	Cable set	Ensemble de câbles	3	400-480V -21200/0001034	
	1	487 0199-12	Cable set	Ensemble de câbles	3	200-240V 3AC Frequency -21200/0001034	
	1	487 0199-13	Cable set	Ensemble de câbles	3	400-480V 3AC Frequency -21200/0001034	
	1	487 2466-50	Cable set	Ensemble de câbles	3	200-240V 3AC 01200/0000002-	
	1	487 2466-51	Cable set	Ensemble de câbles	3	400-480V 3AC 01200/0000002-	
	1	487 2466-52	Cable set	Ensemble de câbles	3	200-240V 3AC Frequency 01200/0000002-	
	1	487 2466-53	Cable set	Ensemble de câbles	3	400-480V 3AC Frequency 01200/0000002-	
33	1	487 2405-43	Cover	Couvercle	3		
34	1	487 2400-68	Bracket	Console	3		
35	1	487 0215-82	Motor	Moteur	1,2	Fan wheel	
36	1	487 2406-04	Disc	Disque	3	Ø35	
37	1	487 2412-20	Cover	Couvercle	3	50Hz	
	1	487 2412-19	Cover	Couvercle	3	60Hz	
38	1	487 2400-64	Cover	Couvercle	3		
39	1	487 2412-01	Fan wheel	Poulie ventilateur	3	50Hz	
	1	487 2412-02	Fan wheel	Poulie ventilateur	3	60Hz	
40	1	487 2422-81	Venturi	Venturi	3	Ø355 50Hz	
	1	487 2422-80	Venturi	Venturi	3	Ø315 60Hz	



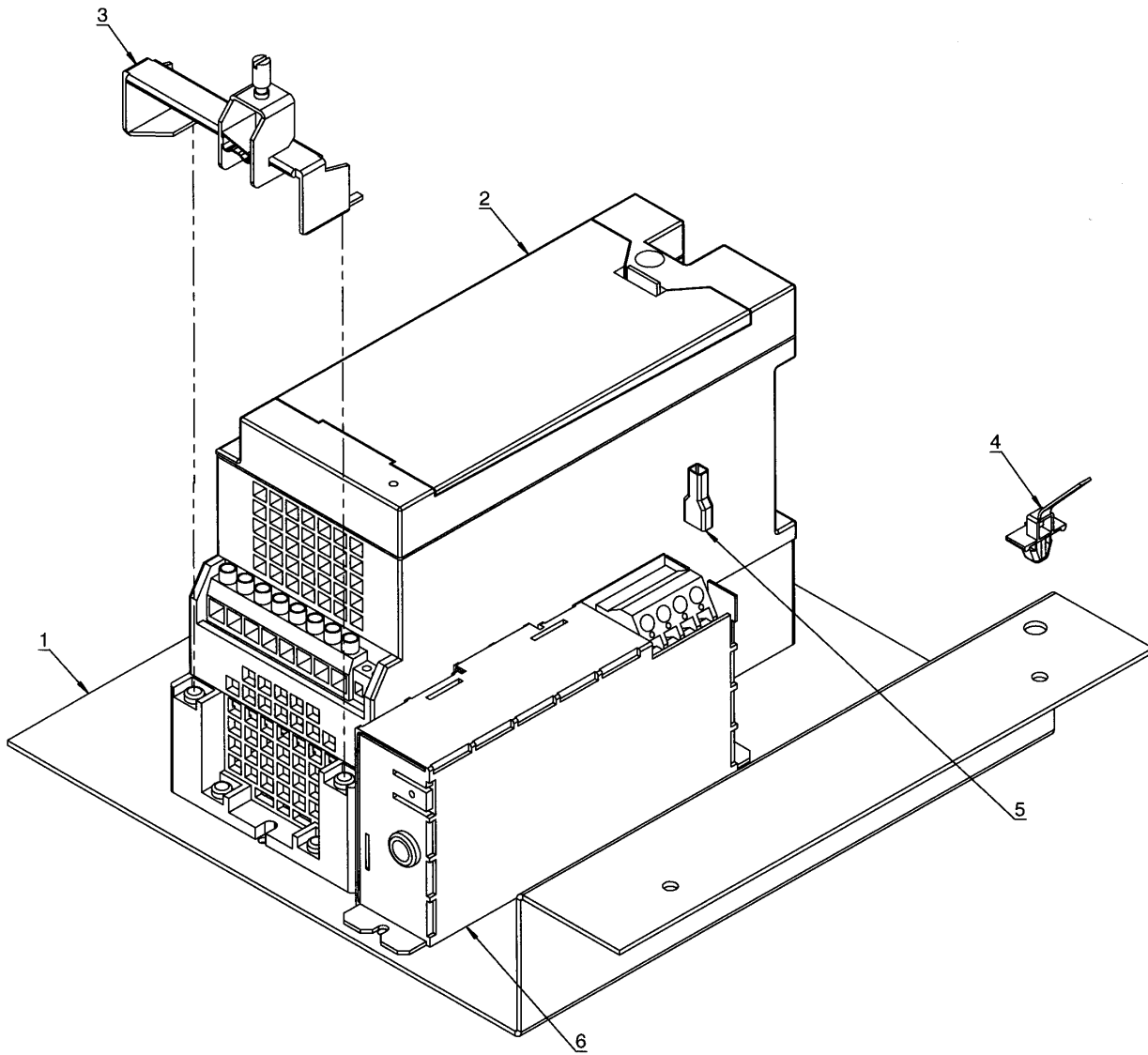
TD135 -21200/0001034

Door switch - Sliding Door

Interrupteur de porte - Sliding Door

Illustration	Issue	Month	Year
Schéma	Issue	Month	Year
200128/1	1	1	2004

Item Article	Qua Qua	Art.No Réf. article	Description	Description	Info Info	Notes Remarques
1	1	487 2427-21	Door switch	Interrupteur de porte	3	Complete Left-hinged
2	1	487 2427-22	Door switch	Interrupteur de porte	3	Complete Right-hinged
3	4		•Screw	•Vis		M3X16
4	1	487 0199-16	•Cable	•Câble	3	
5	2	487 1898-10	•Microswitch	•Microrupteur	1,2	
6	8	471 2068-48	•Insulation	•Isolation	3	
7	4		•Locking nut	•Contre-écrou		M3
8	1	487 2426-03	•Screen	•Écran	3	Left-hinged
9	1	487 2427-23	•Screen	•Écran	3	Right-hinged



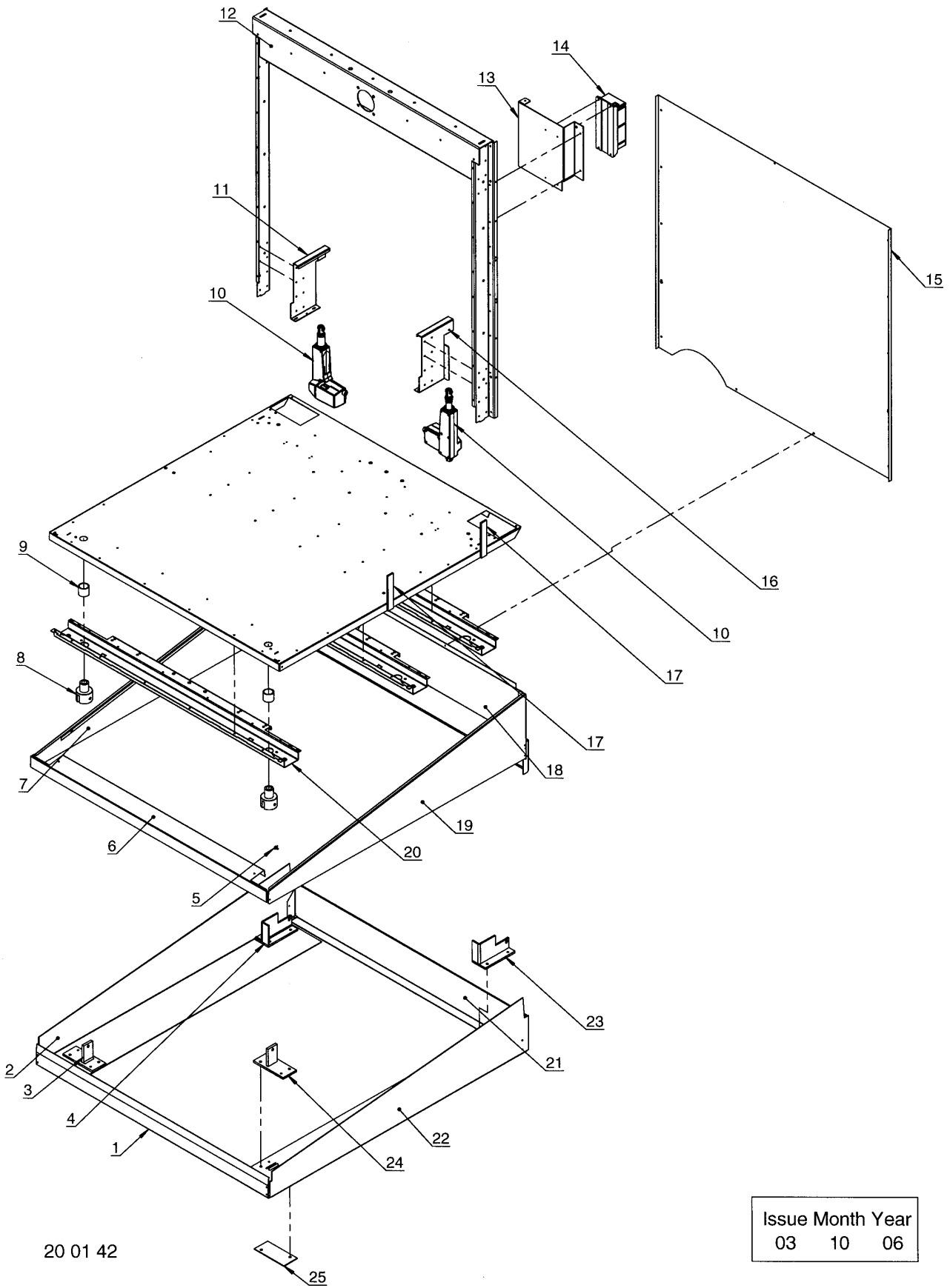
TD135

Frequency converter, complete

Convertisseur de fréquence, complet

Illustration Issue Month Year
Schéma Issue Month Year
200096/1 2 10 2006

Item Article	Qua Qua	Art.No Réf. article	Description	Description	Info Info	Notes Remarques
1	1	487 2405-42	•Bracket	•Support	3	
2	1	487 1935-13	Frequency converter	Convertisseur de fréquence	3	200-240V 1AC
	1	487 1935-14	Frequency converter	Convertisseur de fréquence	3	400-480V 3AC
3	1	487 0289-60	•Rod linkage	•Biellette	3	
4	1	487 1694-18	Cable tie	Collier de serrage	3	
5	1	487 0199-42	Cable set	Ensemble de câbles	3	-21200/0001034
	1	487 2466-55	Cable set	Ensemble de câbles	3	01200/0000002-
6	1	487 0289-63	Filter	Filtre	3	200-240V 1AC
	1	487 0289-57	Filter	Filtre	3	400-480V 3AC



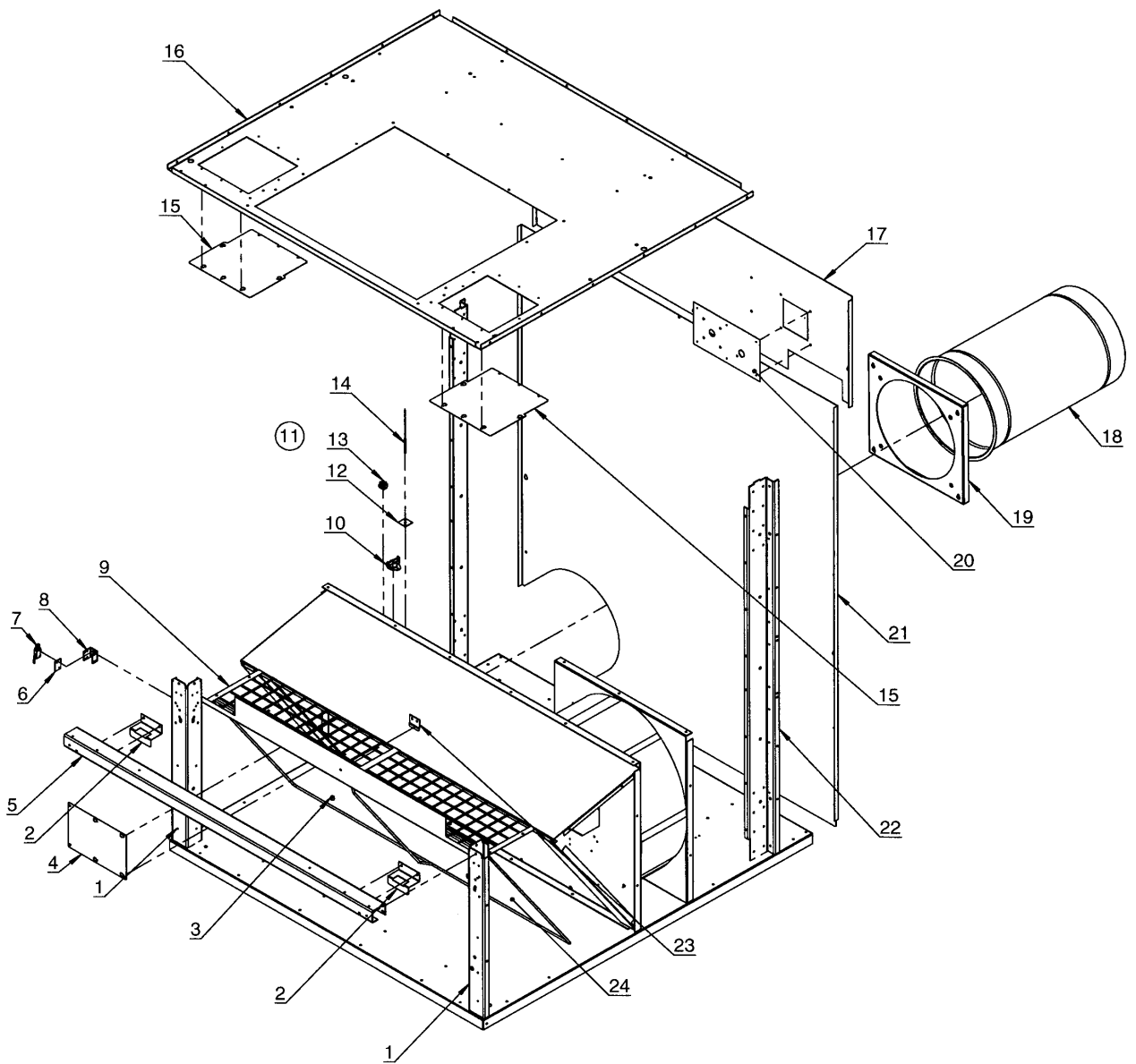
TD135

Tilt

Inclinaison

Illustration Issue Month Year
Schéma Issue Month Year
200142/3 3 10 2006

Item Article	Qua Qua	Art.No Réf. article	Description	Description	Info Info	Notes Remarques
1	1	487 2436-55	Front	Devant	3	Socket
2	1	487 2427-71	Socket	Socle	3	Complete Left
3	1	487 2427-87	•Foot	•Pied	3	Foremost
4	1	487 2427-86	•Foot	•Pied	3	Left Hindmost
5	8	487 2427-96	Clips-screw	Clips-vis	3	M5X10
6	1	487 2401-55	Cross beam	Poutre traversale	3	Bottom
7	1	487 2427-88	Side	Côté	3	Left Inner box
8	2	487 2426-05	Bracket	Console	3	
9	2	487 2427-62	Bushing	Douille	3	
10	2	487 1935-71	Activator	Activeur	3	Complete
11	1	487 2427-83	Fitting	Garniture	3	Left
12	1	487 2400-40	Cross beam	Poutre traversale	3	-21200/0001034
	1	487 2547-01	Cross beam	Poutre traversale	3	Selecta II 01200/0000002-
13	1	487 2436-05	Fitting	Garniture	3	
14	1	487 0289-87	Control box	Boîtier de contrôle	3	120V
	1	487 0289-99	Control box	Boîtier de contrôle	3	230V
15	1	487 2427-76	Rear panel	Plaque arrière	3	
16	1	487 2427-82	Fitting	Garniture	3	Right
17	1	487 2427-69	Felt	Feutre	3	5X30 MM
18	1	487 2429-55	Rear panel	Plaque arrière	3	Inner box
19	1	487 2427-75	Side	Côté	3	Right Inner box
20	3	487 2427-20	Beam	Poutre	3	
21	1	487 2437-55	Rear panel	Plaque arrière	3	Socket
22	1	487 2427-70	Socket	Socle	3	Complete Right
23	1	487 2427-85	•Foot	•Pied	3	Hindmost Right
24	1	487 2427-87	•Foot	•Pied	3	Foremost
25	5	487 2427-25	Adjuster plate	Plaque de réglage	3	1MM
	5	487 2427-26	Adjuster plate	Plaque de réglage	3	2MM
	5	487 2427-27	Adjuster plate	Plaque de réglage	3	3MM



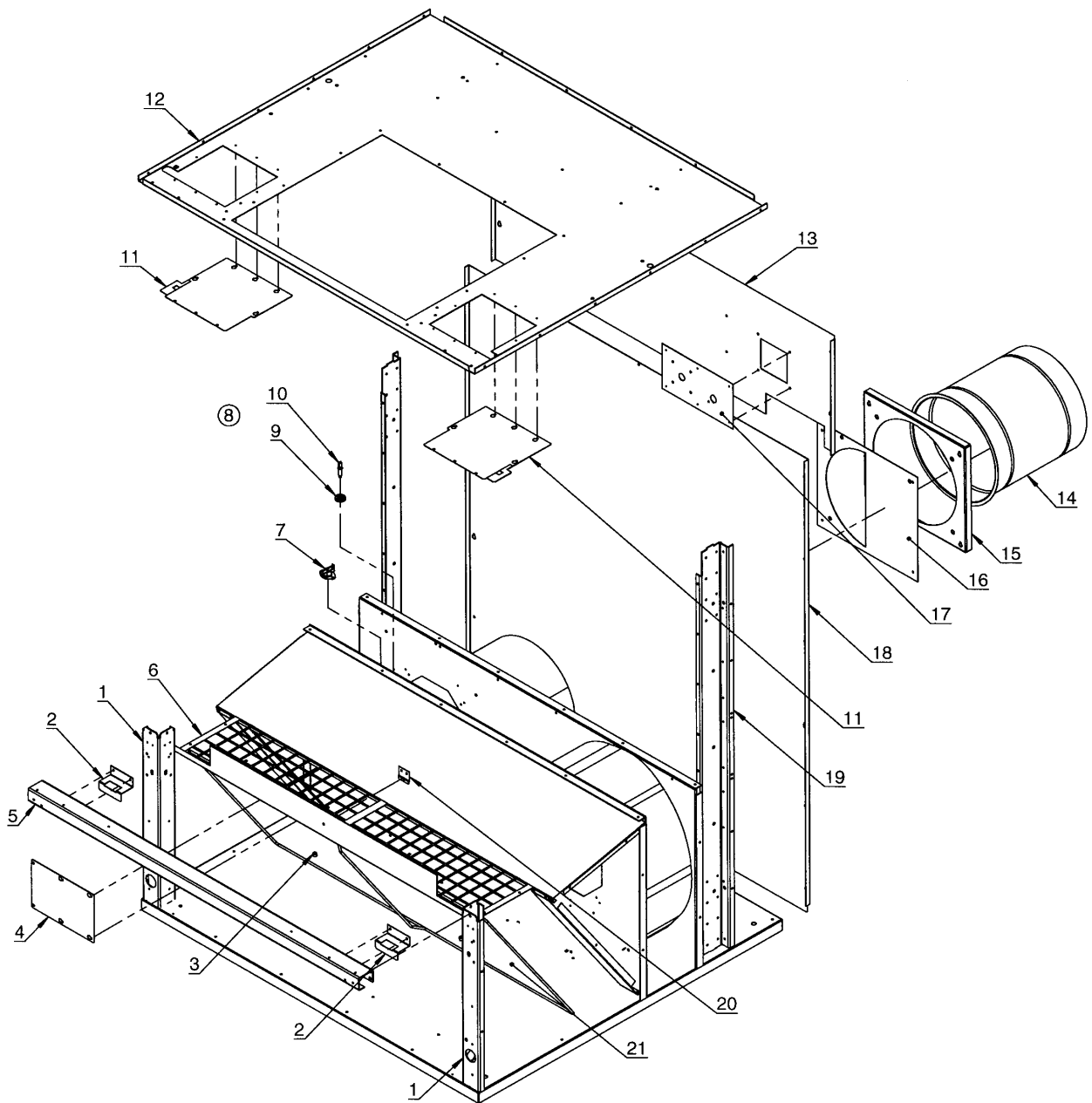
TD135 -21200/0001034

Filter/ Fan housing

Filtre/ Boîtier de ventilateur

Illustration Issue Month Year
Schéma Issue Month Year
200025/2 2 10 2006

Item Article	Qua Qua	Art.No Réf. article	Description	Description	Info Info	Notes Remarques
1	2	487 2400-26	Post	Montant	3	Foremost
2	2	487 2400-70	Angle	Coude	3	
3	2	472 7414-01	Spacer sleeve	Manchon entretoise	3	Ø10/Ø6
4	1	487 2256-07	Cover plate	Plaque recouvrement	3	
5	1	487 2400-33	Beam	Poutre	3	
6	1	471 2068-48	Insulation	Isolation	3	
7	1	487 1898-10	Microswitch	Microrupteur	1,2	
8	1	487 1813-10	Bracket	Support	3	
9	1	487 2400-79	Finger protection	Protection pour les doigts	3	
10	1	487 2317-84	Thermostat	Thermostat	1,2	90°C
11	1	487 1934-71	Thermistor element	Élément thermistor	1,2	Complete
12	1	487 1694-58	•Bracket	•Support	3	
13	1	762 7202-57	•Terminal block	•Borne de raccordement	3	2-pole
14	1	487 1535-04	•Thermistor element	•Élément thermistor	1,2	
15	2	487 2422-84	Cover plate	Tôle de fermeyure	3	
16	1	487 2400-32	Top panel	Panneau supérieur	3	
17	1	487 2400-69	Rear panel	Plaque arrière	3	Upper
18	1	487 2400-53	Pipe	Tube	3	
19	1	487 2400-80	Flange	Bride	3	
20	1	487 2405-96	Plate	Plaque	3	
21	1	487 2400-72	Rear panel	Plaque arrière	3	Lower
22	2	487 2400-38	Post	Montant	3	Hindmost
23	1	487 2405-41	Bracket	Support	3	
24	1	487 0101-30	Lint screen	Écran en coton	1	



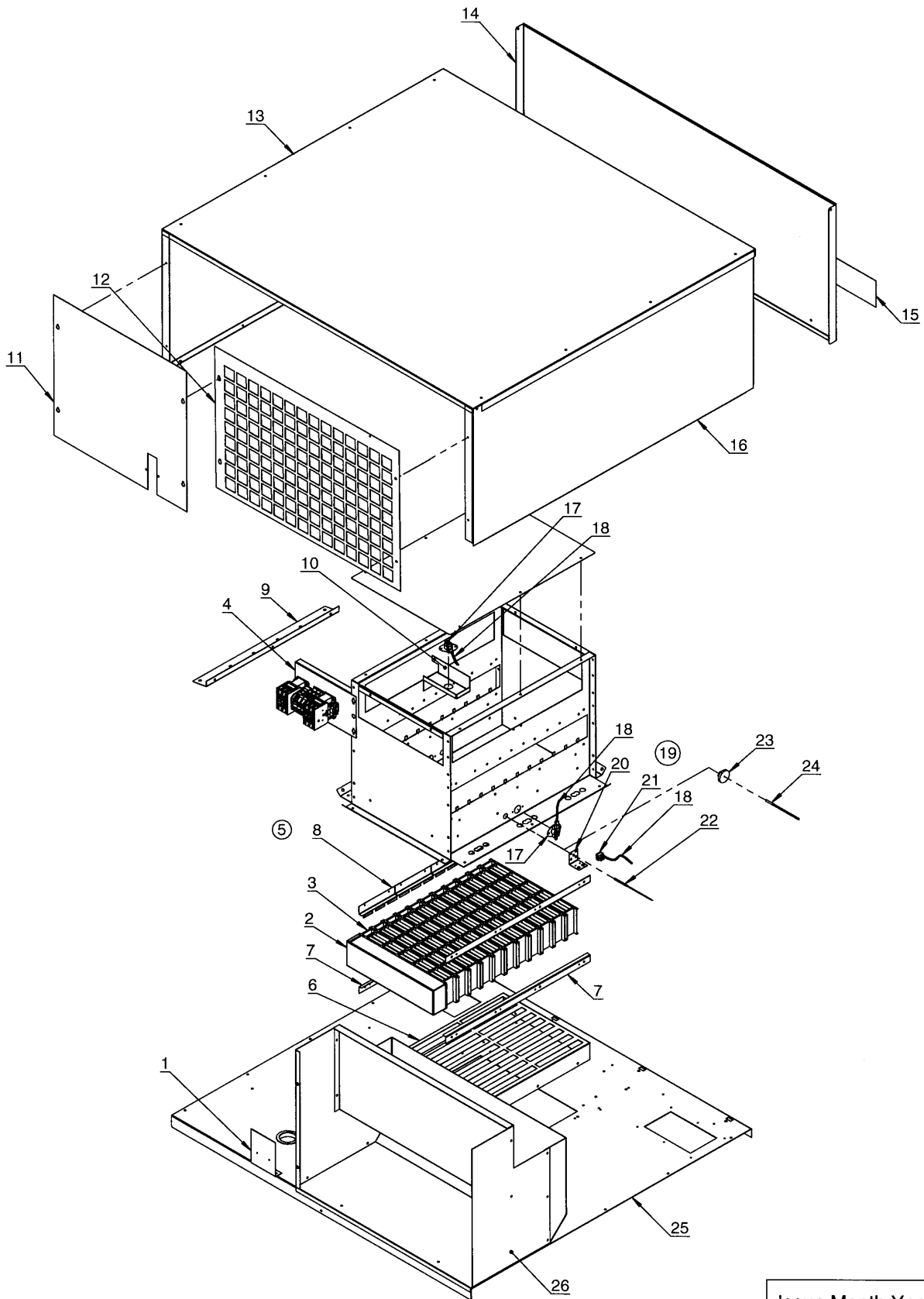
TD135 01200/0000002-

Filter/ Fan housing

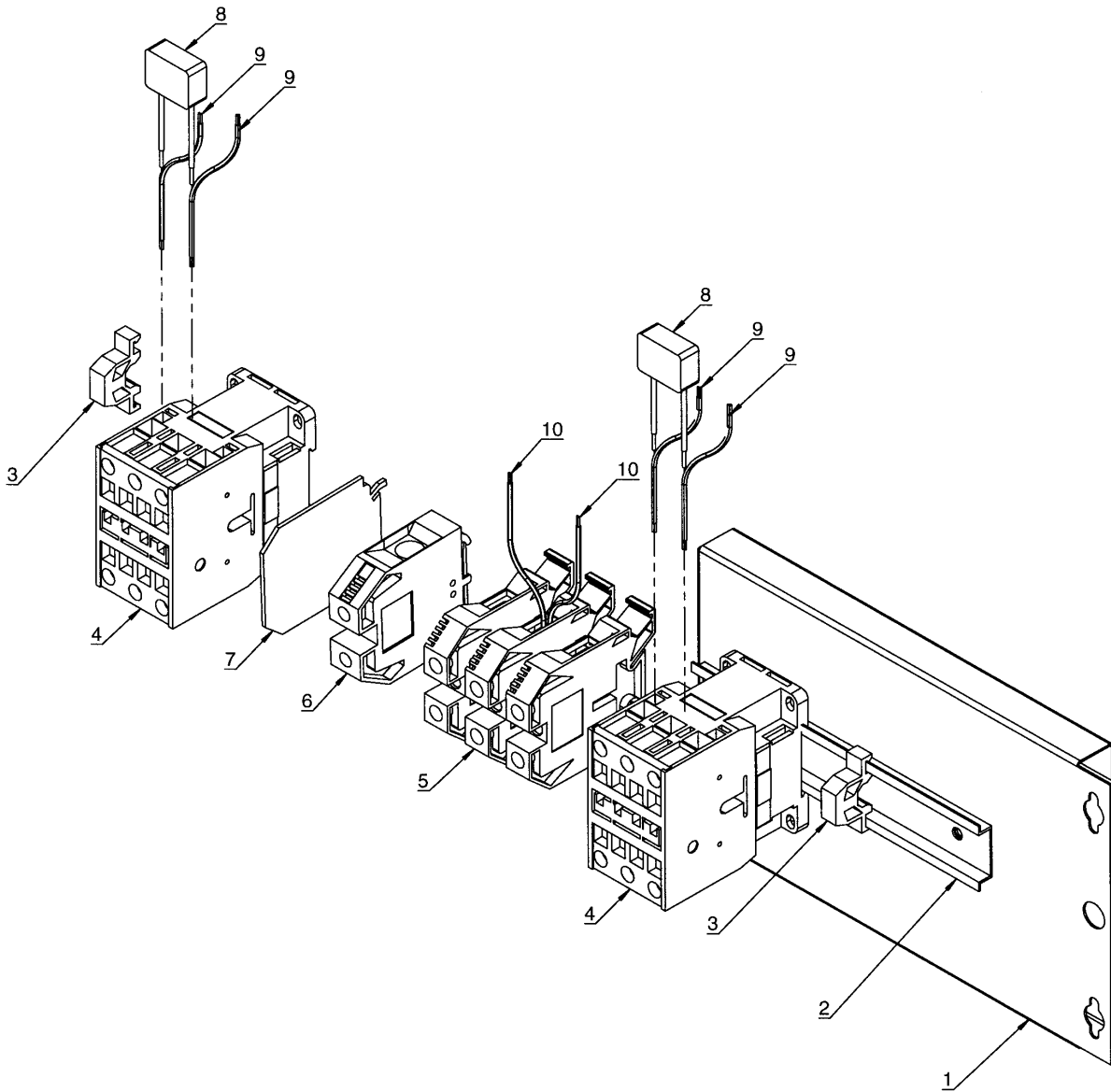
Filtre/ Boîtier de ventilateur

Illustration Issue Month Year
Schéma Issue Month Year
200347/1 1 10 2006

Item Article	Qua Qua	Art.No Réf. article	Description	Description	Info Info	Notes Remarques
1	2	487 2519-01	Post	Montant	3	Selecta II
2	2	487 2400-70	Angle	Coude	3	
3	2	472 7414-01	Spacer sleeve	Manchon entretoise	3	Ø10/Ø6
4	1	487 2256-07	Cover plate	Plaque recouvrement	3	
5	1	487 2400-33	Beam	Poutre	3	
6	1	487 2400-79	Finger protection	Protection pour les doigts	3	
7	1	487 2317-84	Thermostat	Thermostat	1,2	90°C
8	1	487 0285-13	Sensor	Détecteur	1,2	Complete
9	1	125 8760-00	•Rubber membrane	•Membrane caoutchouc	1,2	
10	1	487 0274-34	•Sensor	•Détecteur	1,2	NTC
11	2	487 2569-01	Cover plate	Tôle de fermeture	3	
12	1	487 2529-01	Top panel	Panneau supérieur	3	
13	1	487 2400-69	Rear panel	Plaque arrière	3	Upper
14	1	487 2405-97	Pipe	Tube	3	
15	1	487 2400-80	Flange	Bride	3	
16	1	487 2412-24	Air reducing plate	Tôle de réduction	3	60Hz
17	1	487 2405-96	Plate	Plaque	3	
18	1	487 2400-72	Rear panel	Plaque arrière	3	Lower
19	2	487 2400-38	Post	Montant	3	
20	1	487 2405-41	Bracket	Support	3	
21	1	487 0101-30	Lint screen	Écran en coton	1	



TD135				Illustration	Issue	Month	Year
Heater unit, el				Schéma	Issue	Month	Year
Élément chauffant, el				200031/4	11	8	2009
Item	Qua	Art.No	Description	Description	Info	Notes	
Article	Qua	Réf. article			Info	Remarques	
1	1	487 2405-32	Cover	Couvercle	3		
2	RQ	487 1781-19	Air reducing plate	Tôle de réduction	3		
3	RQ	487 1715-84	Heating element	Élément chauffant	1,2	230V 6kW	
	RQ	487 1715-85	Heating element	Élément chauffant	1,2	240V 6kW	
	RQ	487 1715-86	Heating element	Élément chauffant	1,2	254V 6kW	
	RQ	487 1715-90	Heating element	Élément chauffant	1,2	277V 6kW	
	RQ	487 1715-94	Heating element	Élément chauffant	1,2	230V 8kW	
	RQ	487 1715-96	Heating element	Élément chauffant	1,2	240V 8kW	
	RQ	487 1715-95	Heating element	Élément chauffant	1,2	254V 8kW	
	RQ	487 1531-76	Heating element	Élément chauffant	1,2	277V 8kW	
4	1		Component plate	Plaque composants	3	See illustr. 200349	
5	1	487 2408-41	Cassette	Cassette	3	Complete -21200/0001034	
6	1	487 2405-37	•Grating	•Claie	3		
7	3	487 2405-25	•Rail	•Rail	3		
8	4	487 2255-15	•Bracket	•Support	3		
9	1	487 2405-28	•Cable retainer	•Support de câble	3		
10	1	487 1781-22	•Bracket	•Console	3		
11	1	487 2411-62	Cover plate	Plaque recouvrement	3		
12	1	487 2411-65	Rear panel	Plaque arrière	3		
13	1	487 2404-05	Top panel	Panneau supérieur	3	White	
	1	487 2404-40	Top panel	Panneau supérieur	3	Grey	
	1	487 2404-55	Top panel	Panneau supérieur	3	Stainless	
14	1	487 2411-05	Front plate	Tôle de façade	3	White	
	1	487 2411-06	Front plate	Tôle de façade	3	Red	
	1	487 2411-41	Front plate	Tôle de façade	3	Green	
	1	487 2411-55	Front plate	Tôle de façade	3	Stainless	
	1	487 2411-67	Front plate	Tôle de façade	3	Ivory	
	1	487 2411-73	Front plate	Tôle de façade	3	Beige	
15	1	487 2226-46	Type plade	Numéro série plque	3	Wascomat TD135 Wascomat	
16	2	487 2406-15	Side plate	Plaque de côté	3	White	
	2	487 2406-50	Side plate	Plaque de côté	3	Stainless	
	2	487 2406-80	Side plate	Plaque de côté	3	Grey	
17	1	487 1697-08	Overheat protection	Protection supérieure	1,2	175°C	
18	1	487 0199-32	Cable set	Ensemble de câbles	3	-21200/0001034	
	1	487 2466-62	Cable set	Ensemble de câbles	3	01200/0000002-	
19	1	487 2408-33	Thermistor element	Élément thermistor	1,2	Complete -21200/0001034	
20	1	487 2406-00	•Fitting	•Garniture	3	-21200/0001034	
21	1	762 7202-57	•Terminal block	•Borne de raccordement	3	2-pole -21200/0001034	
22	1	487 1535-04	•Thermistor element	•Élément thermistor	1,2	-21200/0001034	
* 23	1	487 2307-58	Rubber plug	Bouchon en caoutchouc	3	01200/0000002-	
24	1	487 0274-32	Sensor	Détecteur	1,2	PT100 01200/0000002-	
25	1	487 2400-21	Top panel	Panneau supérieur	3	See illustr. 200023, 200351	
26	1	487 2408-49	Labyrinth	Labyrinthe	3	Complete	



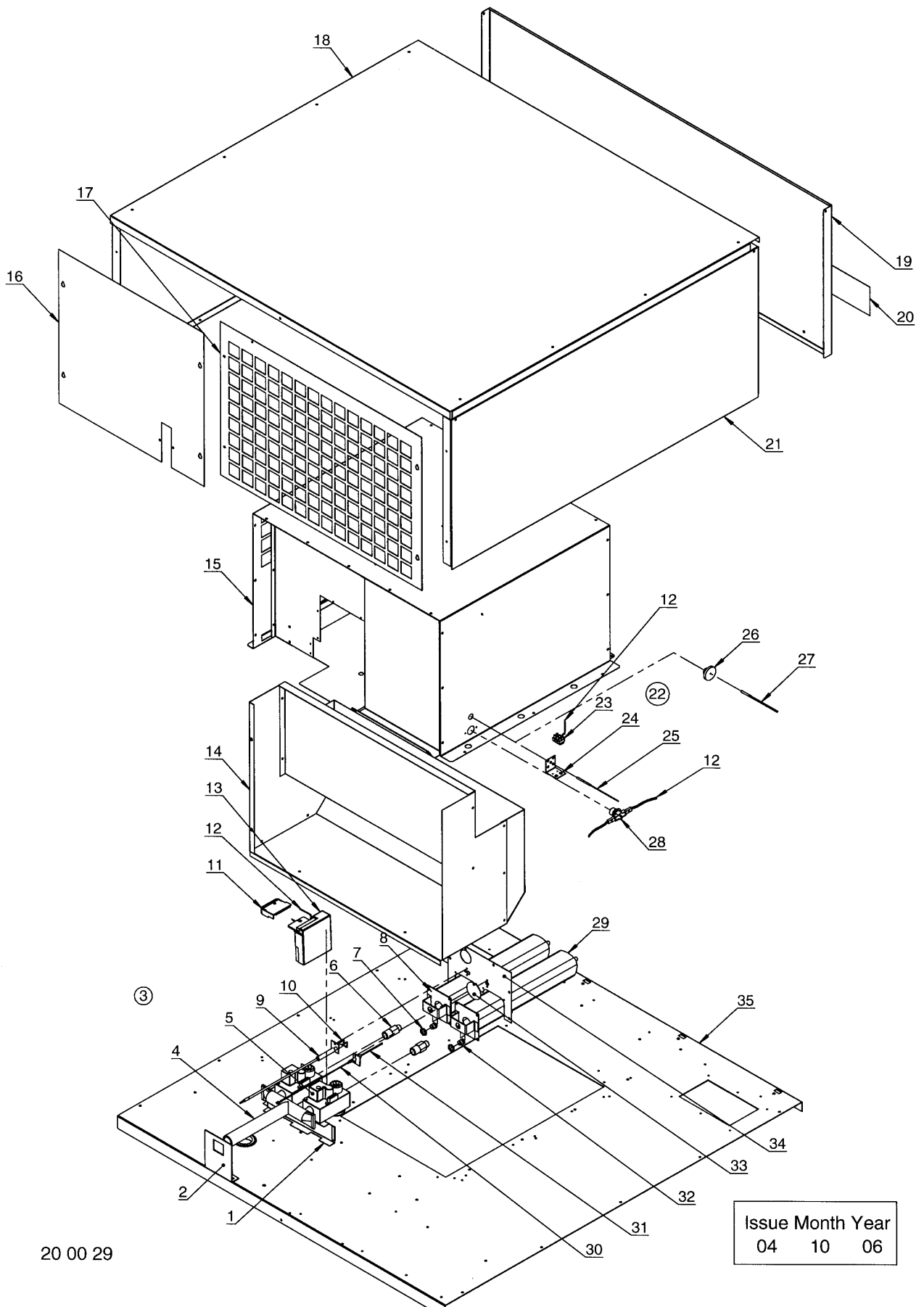
TD135

Control unit

Unité de contrôle

Illustration Issue Month Year
Schéma Issue Month Year
200349/1 1 9 2006

Item Article	Qua Qua	Art.No Réf. article	Description	Description	Info Info	Notes Remarques
1	1	487 2405-27	Component plate	Plaque composants	3	
2	1	487 0289-35	Rail	Rail	3	L=175mm
3	2	487 1384-04	End stop	Butée	3	
4	2	438 9637-31	Relay	Relais	1,2	
5	3	438 8761-06	Terminal block	Borne de raccordement	3	
6	1	487 0951-13	Ground terminal	Borne de terre	3	
7	1	487 2217-25	End plate	Panneau arrière	3	
8	2	487 0289-17	RC-unit	Diode RC	1,2	
9	1	487 0199-35	Cable set	Ensemble de câbles	3	-21200/0001034
	1	487 2466-63	Cable set	Ensemble de câbles	3	01200/0000002-
10	1	487 0199-33	Cable set	Ensemble de câbles	3	-21200/0001034
	1	487 2466-64	Cable set	Ensemble de câbles	3	01200/0000002-



20 00 29

Issue Month Year
04 10 06

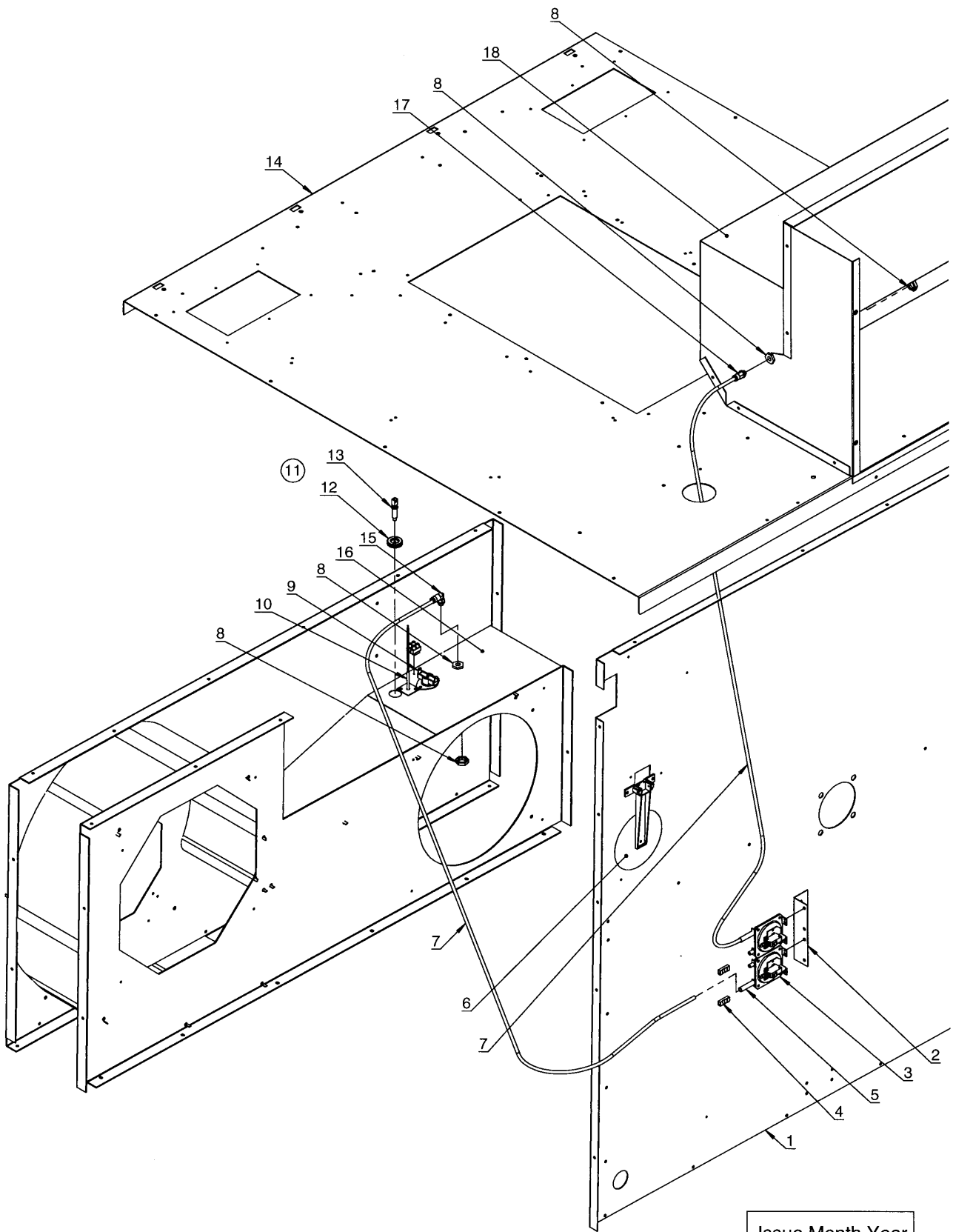
TD135

Heater unit, gas

Élément chauffant, gaz

Illustration Issue Month Year
Schéma Issue Month Year
200029/4 13 8 2009

Item Article	Qua Qua	Art.No Réf. article	Description	Description	Info Info	Notes Remarques
1	1	487 2400-95	Bracket	Support	3	
2	1	487 2400-97	Bracket	Support	3	
3	1	487 2408-36	Gas valve with pipe	Vanne de gaz avec tube	3	Complete
	1	487 2408-38	Gas valve with pipe	Vanne de gaz avec tube	3	Complete TD135
4	1	487 2405-15	•Pipe	•Tube	3	
	1	487 2408-39	•Pipe	•Tube	3	TD135
5	2	487 1437-25	•Gas valve	•Vanne de gaz	3	110V
6	2	487 1764-14	•Nipple	•Raccord	3	1/2"- 3/8"
7	2	471 8400-06	•Nut	•Écrou	3	R3/8" 22NV H5
8	2	487 1533-91	Air reducing plate	Tôle de réduction	3	Ø25
	2	487 1533-96	Air reducing plate	Tôle de réduction	3	Ø40 GN/GNH/GNL
9	1	487 2309-30	Ignition cable	Câble d'allumage	3	Gnist
10	1	487 0068-20	Elektrode	Électrode	3	
11	1	487 1438-21	Cover	Capot	3	
12	1	487 0199-30	Cable set	Ensemble de câbles	3	-21200/0001034
	1	487 2466-65	Cable set	Ensemble de câbles	3	Selecta II 01200/0000002-
13	1	487 1438-25	Control box	Boîtier de contrôle	3	110V
14	1	487 2408-49	Labyrinth	Labyrinthe	3	Complete
15	1	487 1714-94	Box	Caisse	3	Complete -21200/0001034
	1	487 0285-95	Box	Caisse	3	Complete Selecta II 01200/0000002-
16	1	487 2411-62	Cover plate	Plaque recouvrement	3	
17	1	487 2411-65	Rear panel	Plaque arrière	3	
18	1	487 2404-05	Top panel	Panneau supérieur	3	White
	1	487 2404-40	Top panel	Panneau supérieur	3	Grey
	1	487 2404-55	Top panel	Panneau supérieur	3	Stainless
19	1	487 2411-05	Front plate	Tôle de façade	3	White
	1	487 2411-06	Front plate	Tôle de façade	3	Red
	1	487 2411-41	Front plate	Tôle de façade	3	Green
	1	487 2411-55	Front plate	Tôle de façade	3	Stainless
	1	487 2411-67	Front plate	Tôle de façade	3	Ivory
	1	487 2411-73	Front plate	Tôle de façade	3	Beige
20	1	487 2226-46	Type plade	Numéro série plque	3	Wascomat TD135
21	2	487 2406-15	Side plate	Plaque de côté	3	White
	2	487 2406-50	Side plate	Plaque de côté	3	Stainless
	2	487 2406-80	Side plate	Plaque de côté	3	Grey
22	1	487 2408-33	Thermistor element	Élément thermistor	1,2	Complete -21200/0001034
23	1	762 7202-57	•Terminal block	•Borne de raccordement	3	2-pole -21200/0001034
24	1	487 2406-00	•Fitting	•Garniture	3	-21200/0001034
25	1	487 1535-04	•Thermistor element	•Élément thermistor	1,2	-21200/0001034
* 26	1	487 2307-58	Rubber plug	Bouchon en caoutchouc	3	01200/0000002-
27	1	487 0274-32	Sensor	Détecteur	1,2	PT100 01200/0000002-
28	1	487 1697-08	Overheat protection	Protection supérieure	1,2	175°C
29	2	487 1897-93	Gas burner	Radiateur à gaz	3	
30	1	487 2309-31	Cable	Câble	3	
31	1	487 0068-28	Sensor	Détecteur	3	
32	2	471 9853-76	Nozzle	Buse	3	Ø4,7 GN (Frace + Belgium)
	2	471 9853-49	Nozzle	Buse	3	Ø5,65 0-1999FT, GN
	2	471 9853-64	Nozzle	Buse	3	Ø5,5 2000-3999FT, GN
	2	471 9853-72	Nozzle	Buse	3	Ø5,35 4000-5999FT, GN
	2	471 9853-90	Nozzle	Buse	3	Ø5,2 6000-8000FT, GN
	2	471 9853-88	Nozzle	Buse	3	Ø3,6 0-1999FT, LPG
	2	471 9853-48	Nozzle	Buse	3	Ø3,5 2000-3999FT, LPG
	2	471 9853-58	Nozzle	Buse	3	Ø3,4 4000-5999FT, LPG
	2	471 9853-68	Nozzle	Buse	3	Ø3,3 6000-8000FT, LPG
33	14	487 1701-22	Cover	Couvercle	3	
34	1	487 2400-90	Bracket	Support	3	
35	1		Top panel	Panneau supérieur		See illustr. 200023, 200351



20 01 43

Issue	Month	Year
02	10	06

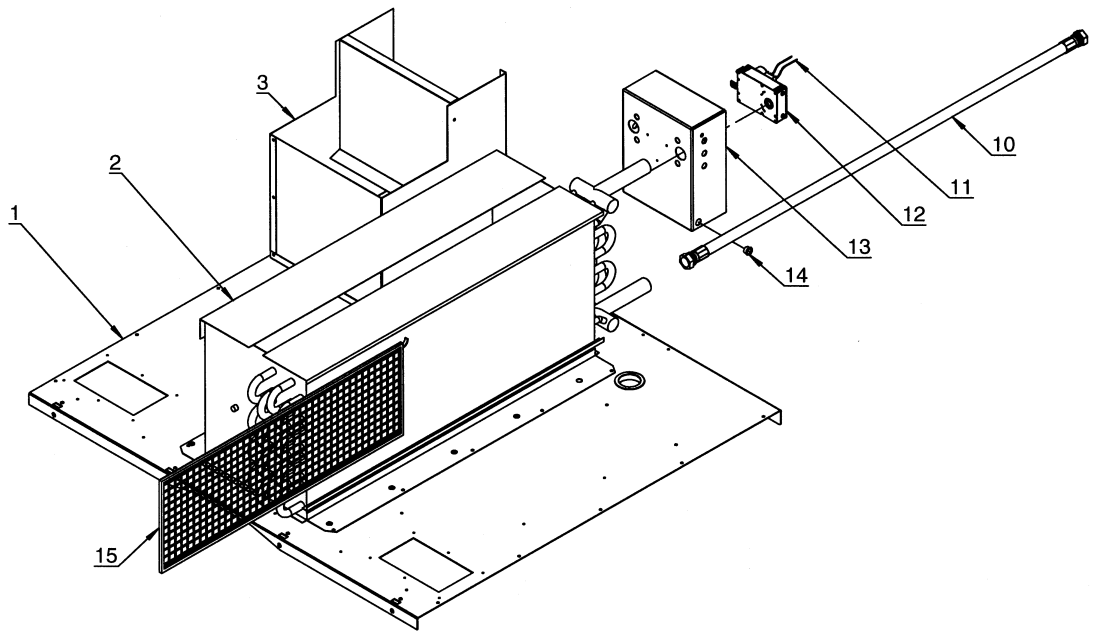
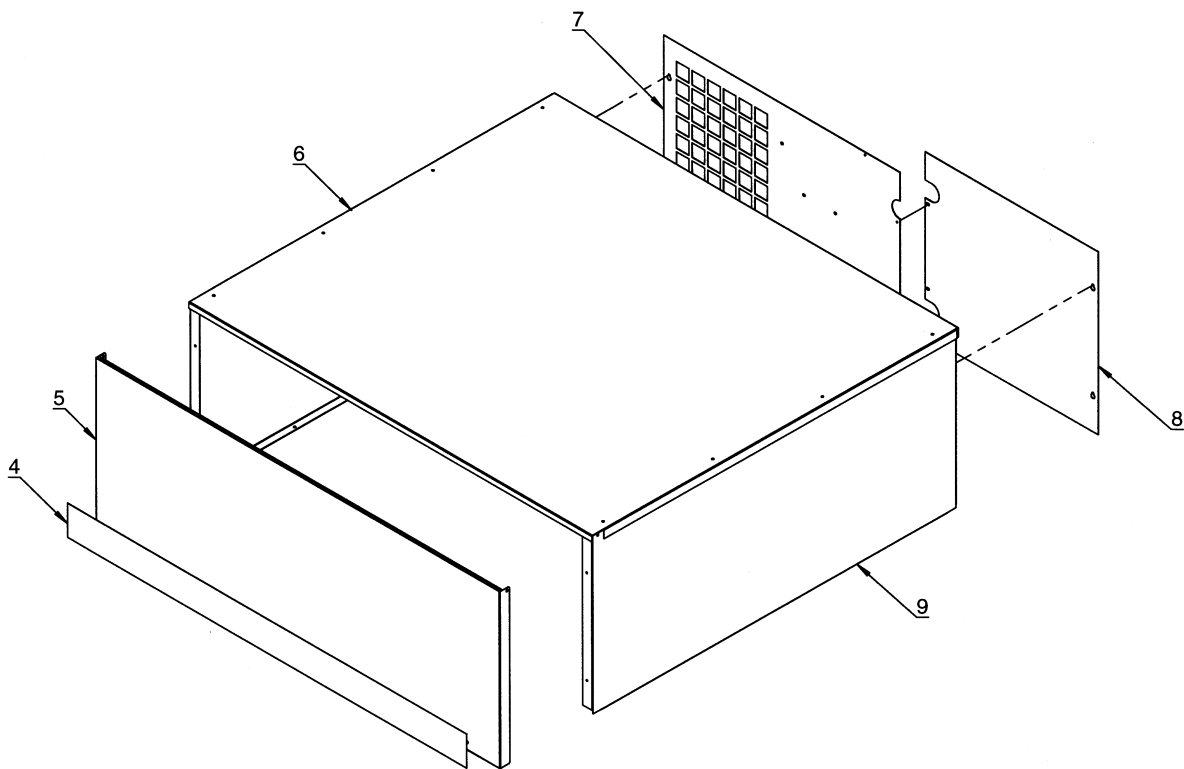
TD135

Gas components - Australia

Composants gaz - Australie

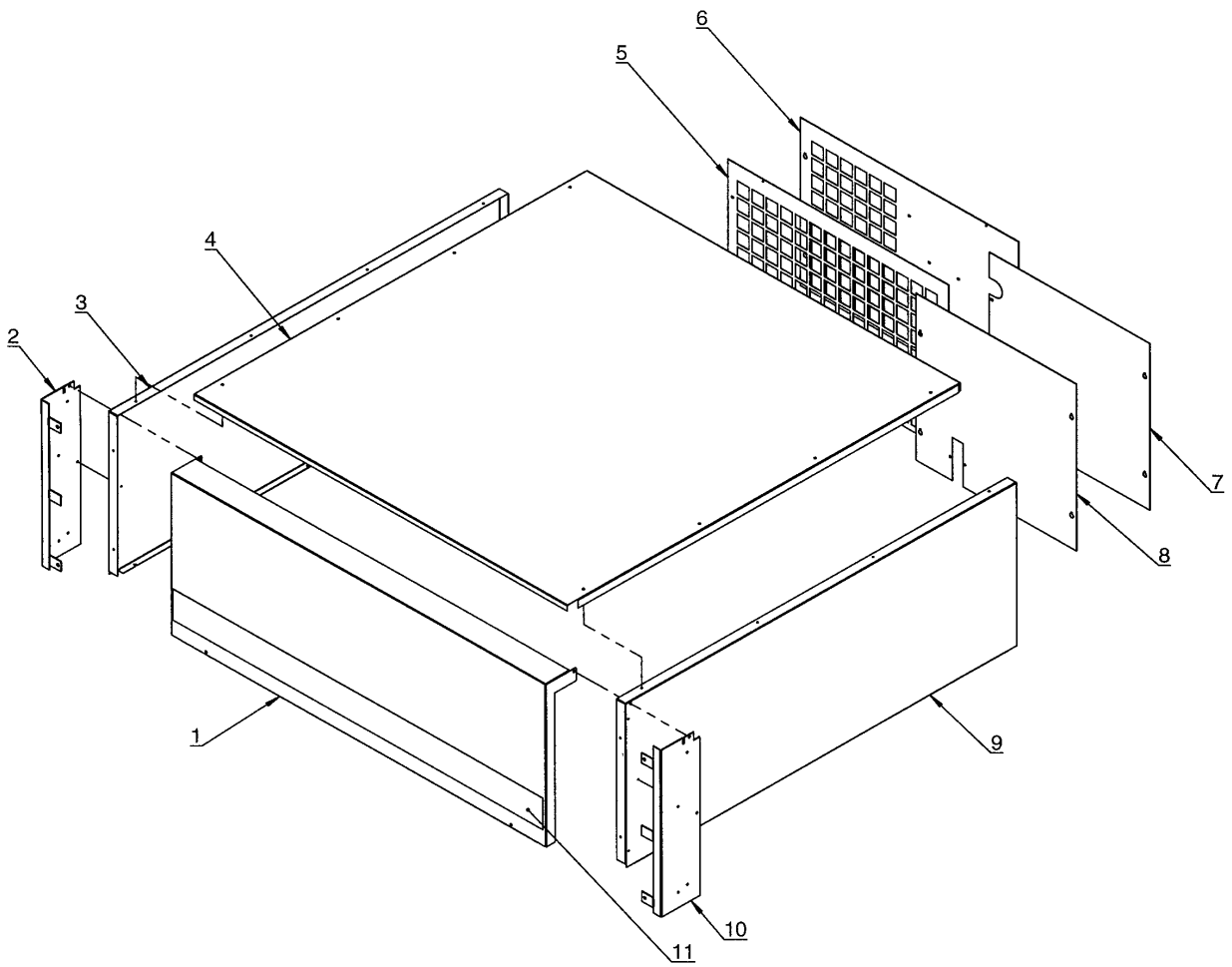
Illustration Issue Month Year
Schéma Issue Month Year
200143/2 4 1 2008

Item Article	Qua Qua	Art.No Réf. article	Description	Description	Info Info	Notes Remarques
1	1	487 2400-46	Rear panel	Plaque arrière	3	-21200/0001034
	1	487 2531-01	Rear panel	Plaque arrière	3	01200/0000002-
2	1	487 2330-10	Fitting	Garniture	3	
3	2	487 2330-11	Pressostat	Pressostat	3	
4	1	487 0324-71	Cable	Câble	3	-21200/0001034
	1	487 2466-57	Cable	Câble	3	01200/0000002-
5	2	487 7056-53	Flexible hose	Flexible	3	Silicone rubber
6	1	487 2328-85	Vacuum switch	Commutateur de vide	3	Complete
7	2	471 8151-90	Hose	Flexible	3	Per 1meter Nylon
8	2	471 8690-91	Grommet	Oeillet	3	
9	1	487 2317-84	Thermostat	Thermostat	1,2	90°C
10	1	487 1934-71	Thermistor element	Élément thermistor	1,2	Complete -21200/0001034
11	1	487 0285-13	Sensor	Détecteur	1,2	Complete 01200/0000002-
12	1	125 8760-00	•Rubber membrane	•Membrane caoutchouc	1,2	01200/0000002-
13	1	487 0274-34	•Sensor	•Détecteur	1,2	01200/0000002-
14	1		Top panel	Panneau supérieur		See illustr. 200023, 200351
15	1	471 8690-74	Elbow pipe	Tuyau angulaire	3	90°
16	1	487 2400-30	Top panel	Panneau supérieur	3	See illustr. 200025
	1	487 2528-01	Top panel	Panneau supérieur	3	-21200/0001034 See illustr. 200347
17	1	471 8690-32	Joint piece	Raccord	3	Ø6,1/ 8"
18	1	487 2408-49	Labyrinth	Labyrinthe	3	Complete



Issue Month Year
06 02 07

TD135				Illustration	Issue	Month	Year
Heating unit, steam				Schéma	Issue	Month	Year
Unité chauffage, vapeur				200030/6	11	10	2008
Item Article	Qua Qua	Art.No Réf. article	Description	Description	Info Info	Notes Remarques	
1	1		Top panel	Panneau supérieur		See illustr. 200023, 200351	
2	1	487 2405-90	Hot water battery	Accumulateur d'eau chaude	3		
3	1	487 2408-52	Labyrinth	Labyrinthe	3	Complete	
4	1	487 2226-46	Type plate	Numéro série plaque	3	Wascomat TD135	
5	1	487 2411-05	Front plate	Tôle de façade	3	White	
	1	487 2411-06	Front plate	Tôle de façade	3	Red	
	1	487 2411-41	Front plate	Tôle de façade	3	Green	
	1	487 2411-55	Front plate	Tôle de façade	3	Stainless	
	1	487 2411-67	Front plate	Tôle de façade	3	Ivory	
	1	487 2411-73	Front plate	Tôle de façade	3	Beige	
6	1	487 2404-05	Top panel	Panneau supérieur	3	White	
	1	487 2404-40	Top panel	Panneau supérieur	3	Grey	
	1	487 2404-55	Top panel	Panneau supérieur	3	Stainless	
7	1	487 2411-64	Rear panel	Plaque arrière	3		
8	1	487 2411-63	Cover plate	Plaque recouvrement	3		
9	2	487 2406-15	Side plate	Plaque de côté	3	White	
	2	487 2406-50	Side plate	Plaque de côté	3	Stainless	
	2	487 2406-80	Side plate	Plaque de côté	3	Grey	
10	1	487 1600-13	Steam hose	Tuyau flexible de vapeur	1	1"x1200mm KIT COMPL.	
	2	487 2368-43	•Steam hose	•Tuyau flexible de vapeur	1		
	4	487 2368-45	•Coupling	•Embrayage	1	1" BSP	
	1	487 1600-14	Steam hose	Tuyau flexible de vapeur	1	1"x1200mm USA. KIT COMPL.	
	2	487 2368-43	•Steam hose	•Tuyau flexible de vapeur	1		
	2	487 2368-45	•Coupling	•Embrayage	1	1" BSP	
	2	487 2368-44	•Coupling	•Embrayage	1	1" NPT	
11	1	487 0199-31	Cable set	Ensemble de câbles	3	-21200/0001034	
	1	487 2466-61	Cable set	Ensemble de câbles	3	01200/0000002-	
12	1	487 1781-51	Damper motor	Moteur amortisseur	1,2		
13	1	487 2405-91	Cover	Couvercle	3		
14	1	762 1137-10	Cable gland	Passe-fil	3	Ø16	
15	1	487 2450-37	Filter	Filtre	1	Steel	



Issue	Month	Year
01	01	04

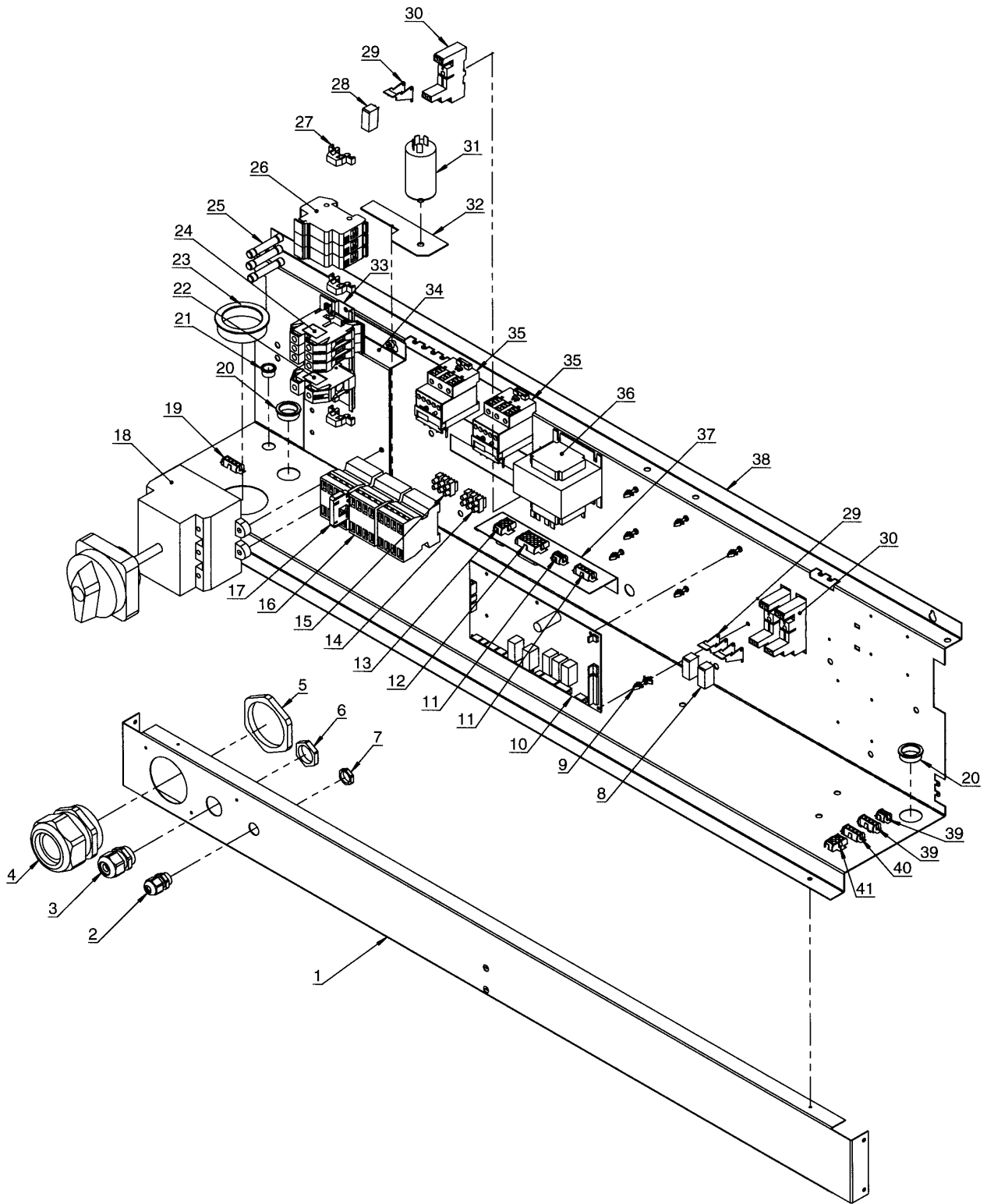
TD135

Box - heating unit Sliding Door

Caise - unite chauffage Sliding Door

Illustration Issue Month Year
Schéma Issue Month Year
200131/1 2 2 2007

Item Article	Qua Qua	Art.No Réf. article	Description	Description	Info Info	Notes Remarques
1	1	487 2438-55	Front	Devant	3	Stainless
2	1	487 2426-01	Panel	Panneau	3	Left
3	1	487 2447-05	Side	Côté	3	White Left
	1	487 2447-40	Side	Côté	3	Grey Left
	1	487 2447-55	Side	Côté	3	Stainless Left
4	1	487 2404-05	Top panel	Panneau supérieur	3	White
	1	487 2404-40	Top panel	Panneau supérieur	3	Grey
	1	487 2404-55	Top panel	Panneau supérieur	3	Stainless
5	1	487 2411-65	Rear panel	Plaque arrière	3	Electric + gas
6	1	487 2411-64	Rear panel	Plaque arrière	3	Steam
7	1	487 2411-63	Cover plate	Plaque recouvrement	3	Steam
8	1	487 2411-62	Cover plate	Plaque recouvrement	3	Electric + gas
9	1	487 2446-05	Side	Côté	3	White Right
	1	487 2446-40	Side	Côté	3	Grey Right
	1	487 2446-55	Side	Côté	3	Stainless Right
10	1	487 2426-00	Panel	Panneau	3	Right
11	1	487 2226-46	Type plade	Numéro série plque	3	Wascomat TD135



Issue	Month	Year
04	08	05

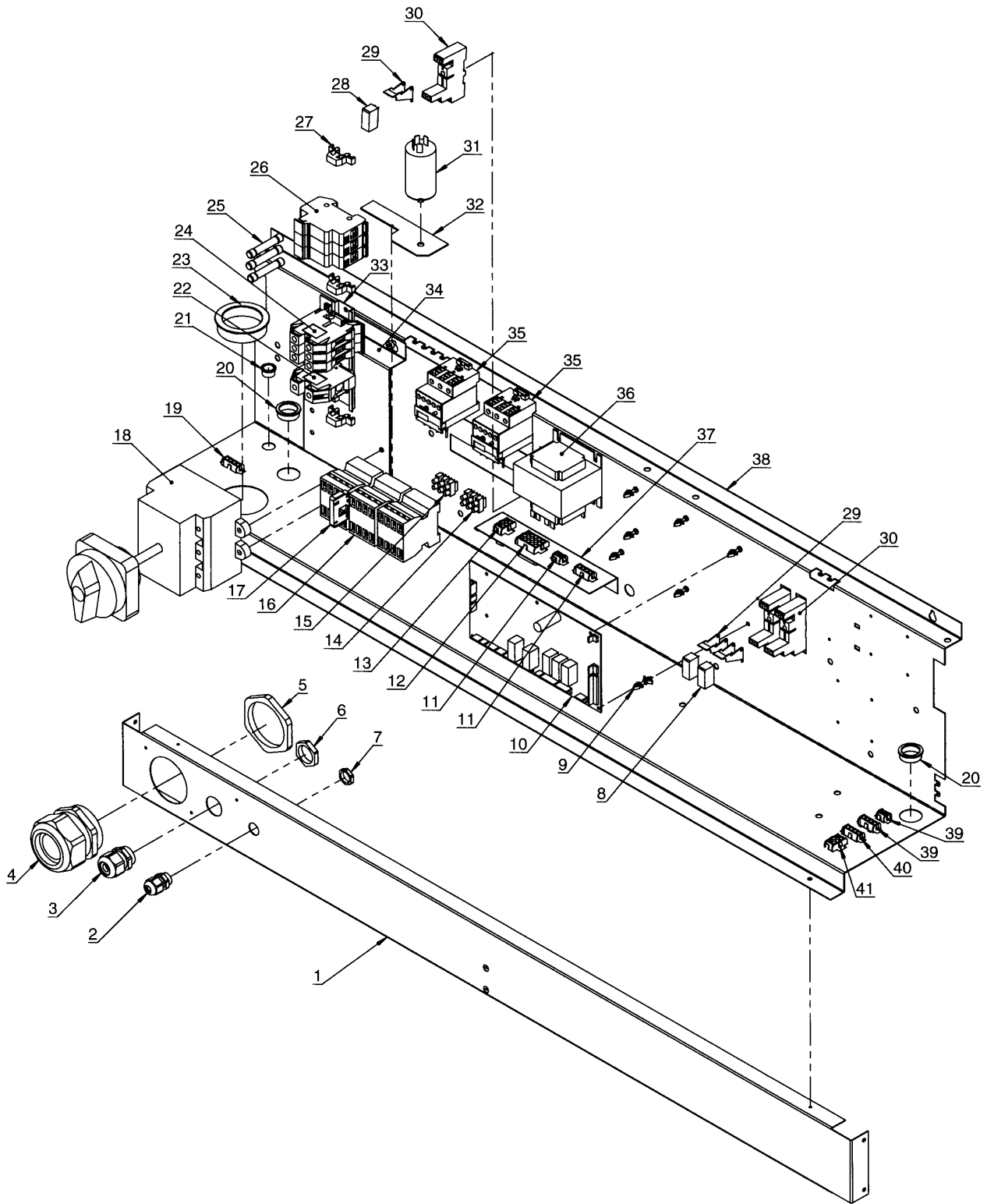
TD135 -21200/0001034

Connection unit, el

Connexion, électrique

Illustration Issue Month Year
Schéma Issue Month Year
200024/3 11 10 2006

Item Article	Qua Qua	Art.No Réf. article	Description	Description	Info Info	Notes Remarques
1	1	487 2400-60	Beam	Poutre	3	
2	1	487 0289-00	Cable glands	Support de câble	3	M16
3	1	487 0289-02	Cable glands	Support de câble	3	M25
4	1	487 0289-05	Cable glands	Support de câble	3	M63
5	1	487 0289-13	Lock-nut	Contre-écrou	3	M63
6	1	487 0289-10	Lock-nut	Contre-écrou	3	M25
7	1	487 0289-08	Lock-nut	Contre-écrou	3	M16
8	1	487 0289-38	Relay	Relais	1,2	Indicating lamp
	2	487 0289-38	Relay	Relais	1,2	Frequency
9	7	487 0191-23	Spacer element	Pièce écartement	3	
10	1	487 1935-03	Printed circuit board	Carte de circuit imprimé	1,2	Complete
	1	487 1935-06	Printed circuit board	Carte de circuit imprimé	1,2	OPL USA
11	1	487 0199-01	Cable set	Ensemble de câbles	3	Standard
	1	487 0199-08	Cable set	Ensemble de câbles	3	Frequency
	1	487 0199-21	Cable set	Ensemble de câbles	3	Emergency stop/door control
12	1	487 0199-03	Cable set	Ensemble de câbles	3	Drum motor + frequency
	1	487 0199-15	Cable set	Ensemble de câbles	3	P4-P12B-P18
	1	487 0199-32	Cable set	Ensemble de câbles	3	EI, P10
13	1	487 0199-04	Cable set	Ensemble de câbles	3	Switch
	1	487 0199-06	Cable set	Ensemble de câbles	3	Drum motor + frequency
	1	487 0199-29	Cable set	Ensemble de câbles	3	Non heated
14	1	487 2217-27	Terminal block	Borne de raccordement	3	Ext.control
15	1	487 2217-27	Terminal block	Borne de raccordement	3	Non heated
16	3	438 9636-11	Relay	Relais	1,2	120V 1AC/208-240V 1AC
17	1	487 1535-65	Catch	Blocage	1,2	-0304/162 -21200/162 USA 0312/341- 21200/341- USA
18	1	487 2217-32	Switch	Commutateur	1,2	400-480V 60kW
	1	487 0289-27	Switch	Commutateur	1,2	400-480V 72kW
19	1	487 0199-02	Cable set	Ensemble de câbles	3	Motor
	1	487 0199-05	Cable set	Ensemble de câbles	3	Blower motor + frequency
	1	487 0199-06	Cable set	Ensemble de câbles	3	Drum motor
20	2	762 1191-10	Cable gland	Passe-fil	3	Ø28
21	1	762 1137-10	Cable gland	Passe-fil	3	Ø16
22	1	487 0951-13	Ground terminal	Borne de terre	3	
23	1	487 1723-95	Cable gland	Passe-fil	3	Ø50
24	3	438 8761-06	Terminal block	Borne de raccordement	3	
25	3	487 0289-43	Fuse	Fusible	1,2	16A
	3	487 0289-44	Fuse	Fusible	1,2	20A
	3	487 0289-79	Fuse	Fusible	1,2	15A USA
	3	487 0289-45	Fuse	Fusible	1,2	20A USA
26	3	487 0289-42	Fuse holder	Porte-fusible	3	
27	2	487 1384-04	End stop	Butée	3	
28	1	487 0289-38	Relay	Relais	1,2	
29	3	487 0289-85	Clamp	Archet	3	
30	3	487 0289-81	Relay socket	Douille	3	
31	1	487 1535-79	X/Y capacitor	X/Y condensateur	1,2	
32	1	487 2405-44	Bracket	Support	3	Capacitor
33	1	487 0289-36	Rail	Rail	3	L=235mm 400-480V 60kW
	1	487 0289-34	Rail	Rail	3	L=153mm 400-480V 72kW
34	1	487 2405-68	Bracket	Console	3	400-480V 60kW
	1	487 2405-70	Bracket	Console	3	400-480V 72kW
35	RQ	487 0289-26	Thermal overload relay	Protection moteur relais	1,2	200-240V 50Hz
	RQ	487 0289-53	Thermal overload relay	Protection moteur relais	1,2	200-240V 60Hz
	RQ	487 0289-25	Thermal overload relay	Protection moteur relais	1,2	400-480V 50/60Hz
36	1	487 1714-57	Transformer	Transformateur	1,2	200-240V
	1	487 1714-56	Transformer	Transformateur	1,2	400-480V
37	1	487 2405-69	Bracket	Support	3	
38	1	487 2400-59	Connection plate	Plaque de connexion	3	
39	1	487 0199-05	Cable set	Ensemble de câbles	3	Blower motor + frequency



Issue	Month	Year
04	08	05

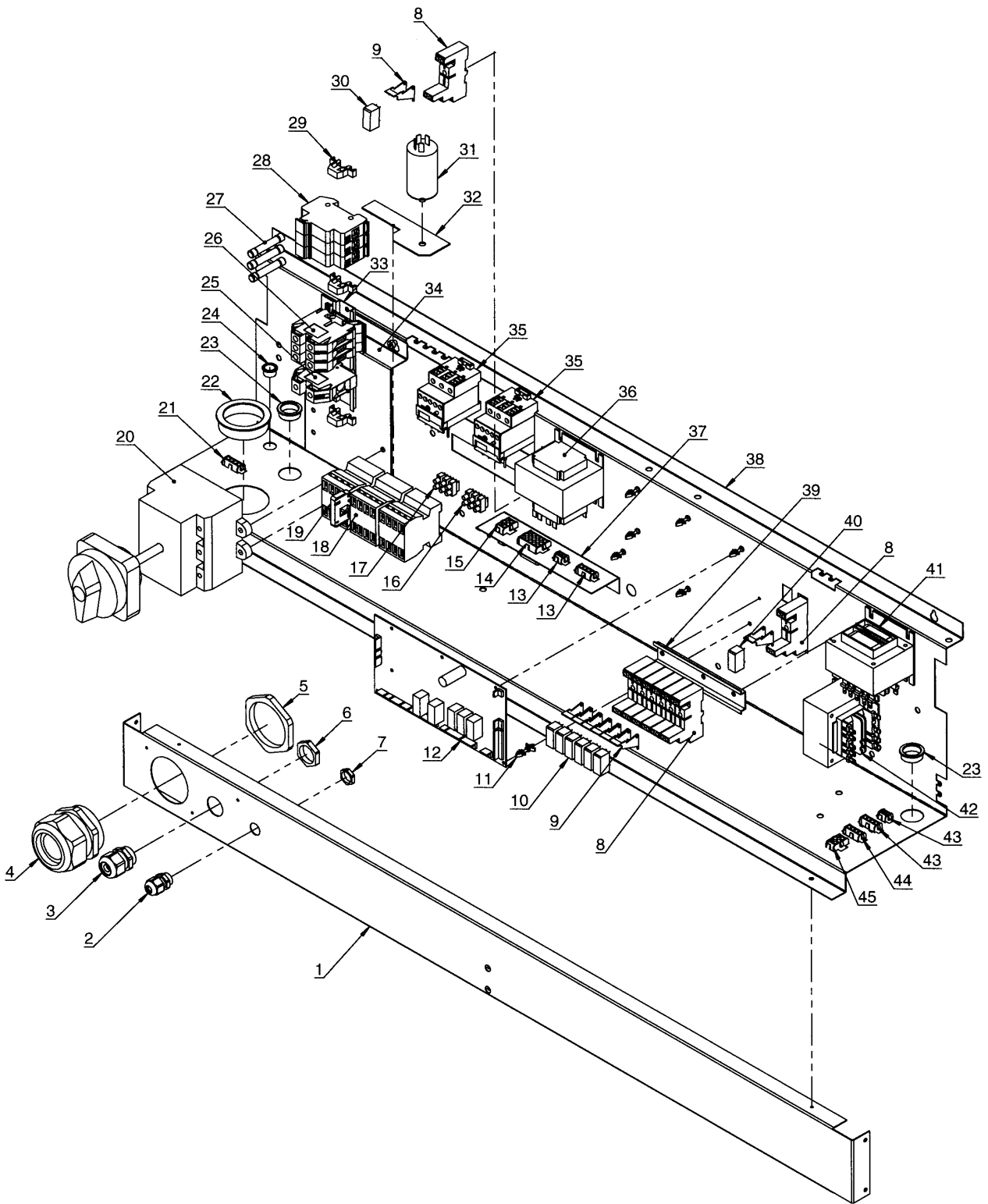
TD135 -21200/0001034

Connection unit, el

Connexion, électrique

Illustration	Issue	Month	Year
Schéma	Issue	Month	Year
200024/3	11	10	2006

Item Article	Qua Qua	Art.No Réf. article	Description	Description	Info Info	Notes Remarques
40	1	487 0199-02	Cable set	Ensemble de câbles	3	Motor
	1	487 0199-05	Cable set	Ensemble de câbles	3	Blower motor + frequency
	1	487 0199-06	Cable set	Ensemble de câbles	3	Drum motor
41	1	487 0199-03	Cable set	Ensemble de câbles	3	Blower motor + frequency
	1	487 0199-15	Cable set	Ensemble de câbles	3	P4-P12B-P18
	1	487 0199-32	Cable set	Ensemble de câbles	3	EI, P10



Issue	Month	Year
02	08	05

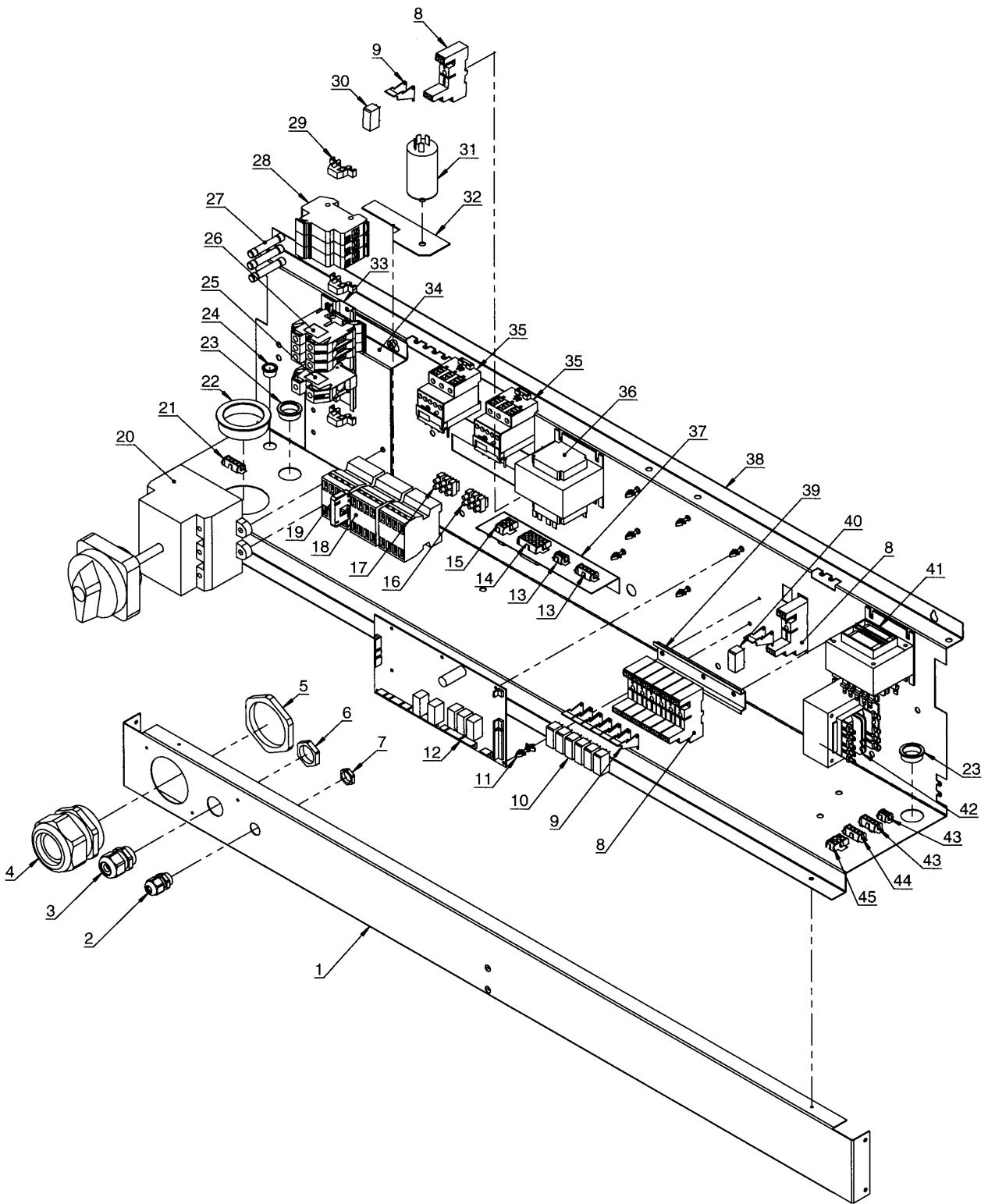
TD135 -21200/0001034

Connection unit - Sliding Door + Tilt, el

Connexion - Sliding Door + Inclinaison, électrique

Illustration Issue Month Year
Schéma Issue Month Year
200163/1 8 10 2006

Item Article	Qua Qua	Art.No Réf. article	Description	Description	Info Info	Notes Remarques
1	1	487 2400-60	Beam	Poutre	3	
2	1	487 0289-00	Cable glands	Support de câble	3	M16
3	1	487 0289-02	Cable glands	Support de câble	3	M25
4	1	487 0289-05	Cable glands	Support de câble	3	M63
5	1	487 0289-13	Lock-nut	Contre-écrou	3	M63
6	1	487 0289-10	Lock-nut	Contre-écrou	3	M25
7	1	487 0289-08	Lock-nut	Contre-écrou	3	M16
8	8	487 0289-81	Relay socket	Douille	3	
9	8	487 0289-85	Clamp	Archet	3	
10	6	487 0274-22	Relay	Relais	1,2	Sliding Door + Tilt
11	7	487 0191-23	Spacer element	Pièce écartement	3	
12	1	487 1935-03	Printed circuit board	Carte de circuit imprimé	1,2	Complete
	1	487 1935-06	Printed circuit board	Carte de circuit imprimé	1,2	OPL USA
13	1	487 0199-21	Cable set	Ensemble de câbles	3	Emergency stop/door control
	1	487 0199-25	Cable set	Ensemble de câbles	3	Sliding Door, left-hinged
	1	487 0199-26	Cable set	Ensemble de câbles	3	Sliding Door + Tilt, left-hinged
	1	487 0199-27	Cable set	Ensemble de câbles	3	Sliding Door, right-hinged
	1	487 0199-28	Cable set	Ensemble de câbles	3	Sliding Door + Tilt, right-hinged
14	1	487 0199-03	Cable set	Ensemble de câbles	3	Drum motor + frequency
	1	487 0199-15	Cable set	Ensemble de câbles	3	P4-P12B-P18
	1	487 0199-32	Cable set	Ensemble de câbles	3	EI, P10
15	1	487 0199-04	Cable set	Ensemble de câbles	3	Switch
	1	487 0199-06	Cable set	Ensemble de câbles	3	Drum motor + frequency
	1	487 0199-29	Cable set	Ensemble de câbles	3	Non heated
16	1	487 2217-27	Terminal block	Borne de raccordement	3	Ext.control
17	1	487 2217-27	Terminal block	Borne de raccordement	3	Non heated
18	3	438 9636-11	Relay	Relais	1,2	120V 1AC/208-240V 1AC
19	1	487 1535-65	Catch	Blocage	1,2	
20	1	487 2217-32	Switch	Commutateur	1,2	400-480V 60kW
	1	487 0289-27	Switch	Commutateur	1,2	400-480V 72kW
21	1	487 0199-02	Cable set	Ensemble de câbles	3	Motor
	1	487 0199-05	Cable set	Ensemble de câbles	3	Blower motor + frequency
	1	487 0199-06	Cable set	Ensemble de câbles	3	Drum motor
22	1	487 1723-95	Cable gland	Passe-fil	3	Ø50
23	2	762 1191-10	Cable gland	Passe-fil	3	Ø28
24	1	762 1137-10	Cable gland	Passe-fil	3	Ø16
25	1	487 0951-13	Ground terminal	Borne de terre	3	
26	3	438 8761-06	Terminal block	Borne de raccordement	3	
27	3	487 0289-43	Fuse	Fusible	1,2	16A
	3	487 0289-44	Fuse	Fusible	1,2	20A
	3	487 0289-79	Fuse	Fusible	1,2	15A USA
	3	487 0289-45	Fuse	Fusible	1,2	20A USA
28	3	487 0289-42	Fuse holder	Porte-fusible	3	
29	3	487 1384-04	End stop	Butée	3	
30	1	487 0289-38	Relay	Relais	1,2	
31	1	487 1535-79	X/Y capacitor	X/Y condensateur	1,2	
32	1	487 2405-44	Bracket	Support	3	Capacitor
33	1	487 0289-36	Rail	Rail	3	L=235mm 400-480V 60kW
	1	487 0289-34	Rail	Rail	3	L=153mm 400-480V 72kW
34	1	487 2405-68	Bracket	Console	3	400-480V 60kW
	1	487 2405-70	Bracket	Console	3	400-480V 72kW
35	RQ	487 0289-26	Thermal overload relay	Protection moteur relais	1,2	200-240V 50Hz
	RQ	487 0289-53	Thermal overload relay	Protection moteur relais	1,2	200-240V 60Hz
	RQ	487 0289-25	Thermal overload relay	Protection moteur relais	1,2	400-480V 50/60Hz
36	1	487 1714-57	Transformer	Transformateur	1,2	200-240V
	1	487 1714-56	Transformer	Transformateur	1,2	400-480V
37	1	487 2405-69	Bracket	Support	3	
38	1	487 2400-59	Connection plate	Plaque de connexion	3	
39	1	487 0289-34	Rail	Rail	3	L=153mm Sliding Door + Tilt



Issue	Month	Year
02	08	05

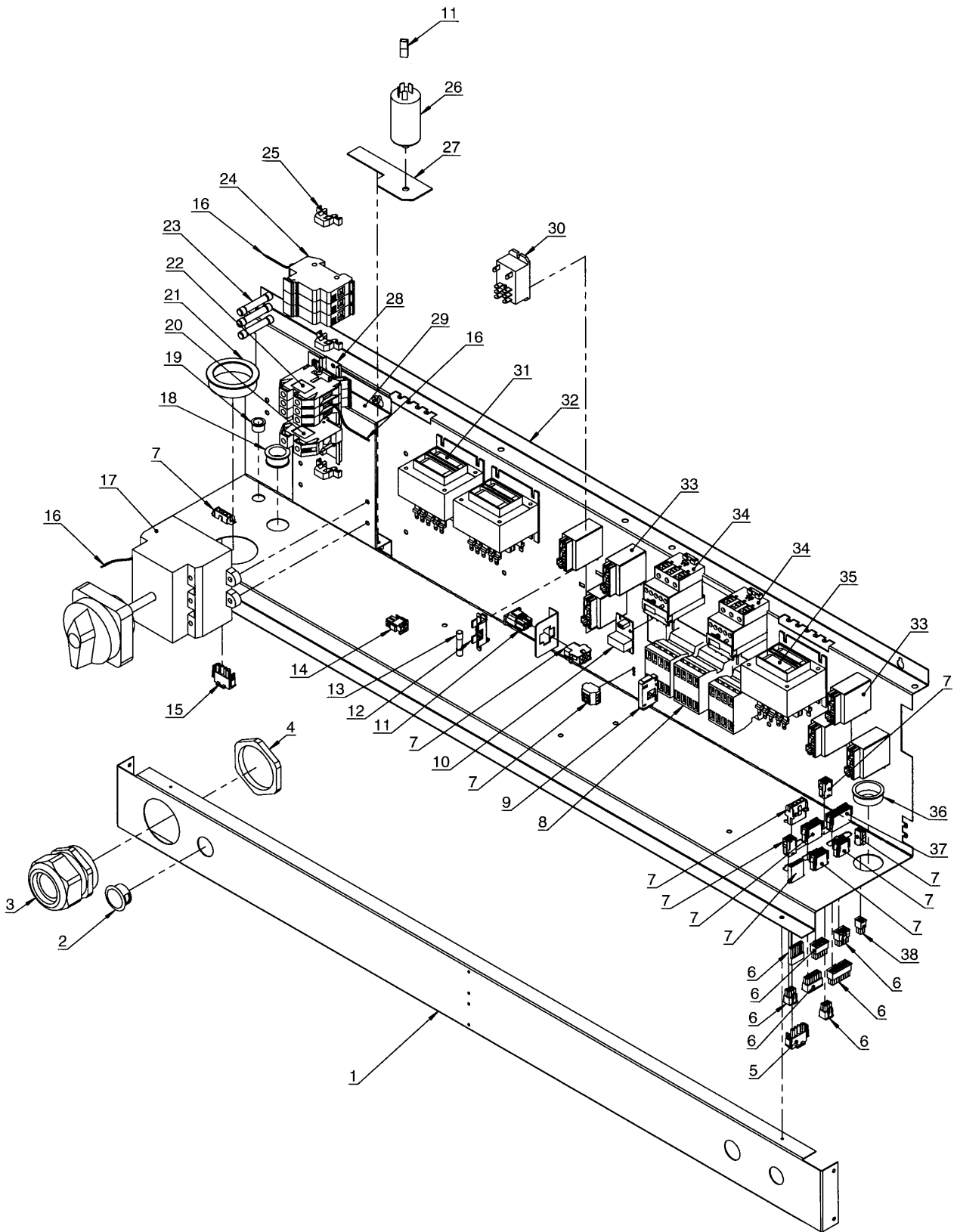
TD135 -21200/0001034

Connection unit - Sliding Door + Tilt, el

Connexion - Sliding Door + Inclinaison, électrique

Illustration	Issue	Month	Year
Schéma	Issue	Month	Year
200163/1	8	10	2006

Item Article	Qua Qua	Art.No Réf. article	Description	Description	Info Info	Notes Remarques
40	1	487 0274-22	Relay	Relais	1,2	Frequency
41	1	487 0274-13	Transformer	Transformateur	1,2	Sliding Door + Tilt
42	2	487 0274-12	Transformer	Transformateur	1,2	Sliding Door + Tilt
43	1	487 0199-05	Cable set	Ensemble de câbles	3	Blower motor + frequency
44	1	487 0199-02	Cable set	Ensemble de câbles	3	Motor
	1	487 0199-05	Cable set	Ensemble de câbles	3	Blower motor + frequency
	1	487 0199-06	Cable set	Ensemble de câbles	3	Drum motor
45	1	487 0199-03	Cable set	Ensemble de câbles	3	Drum motor + frequency
	1	487 0199-15	Cable set	Ensemble de câbles	3	P4-P12B-P18
	1	487 0199-32	Cable set	Ensemble de câbles	3	EI, P10



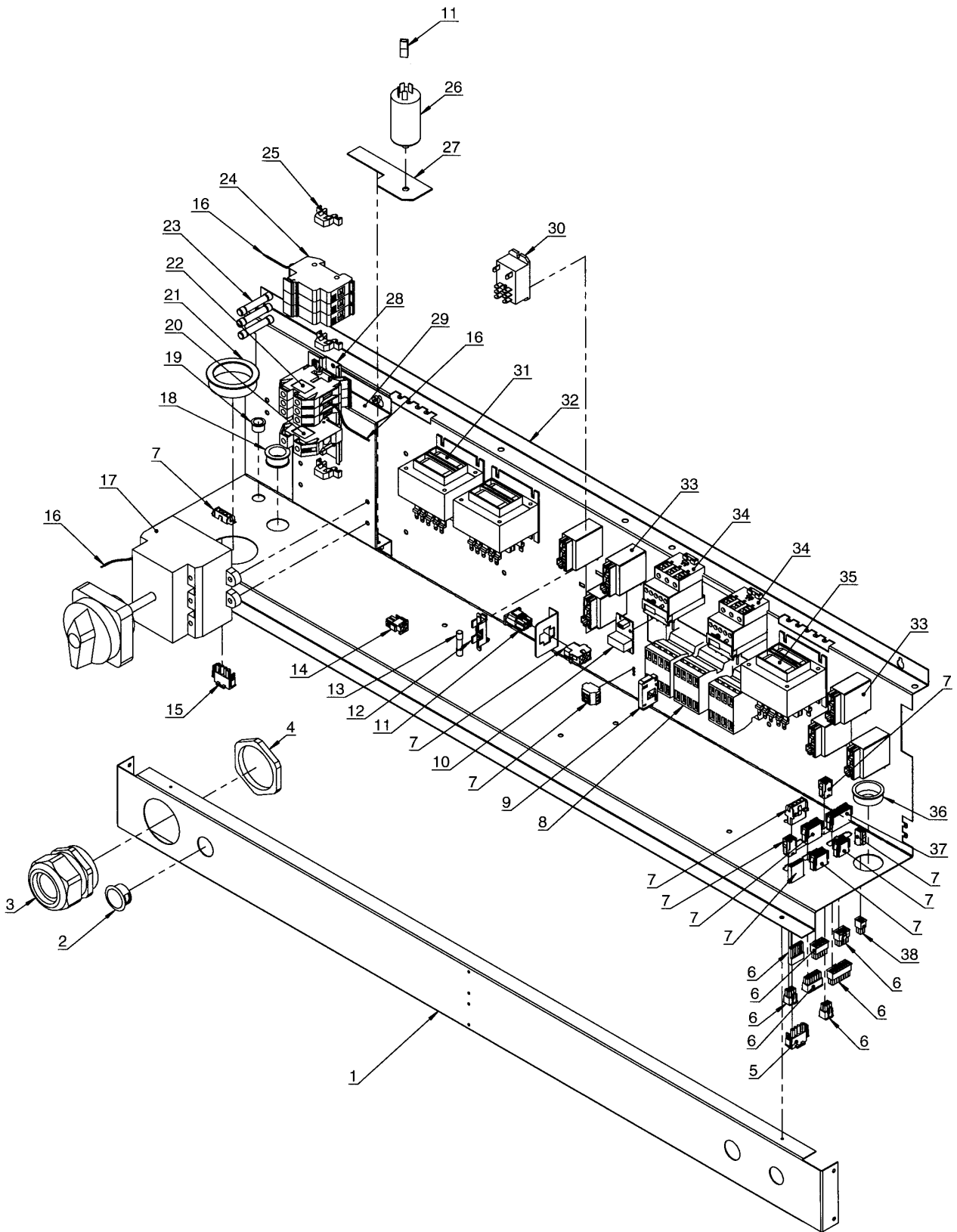
TD135 01200/0000002-

Connection unit, el Selecta II

Conexion, électrique Selecta II

Illustration Issue Month Year
Schéma Issue Month Year
200355/1 1 10 2006

Item Article	Qua Qua	Art.No Réf. article	Description	Description	Info Info	Notes Remarques
1	1	487 2550-01	Beam	Poutre	3	
2	1	471 7977-04	Blind plug	Écrou borgne	3	Ø28
3	1	487 0289-05	Cable glands	Support de câble	3	M63
4	1	487 0289-13	Lock-nut	Contre-écrou	3	M63
5	1	487 2466-50	Cable set	Ensemble de câbles	3	200-240V 3AC Motor
	1	487 2466-51	Cable set	Ensemble de câbles	3	400-480V 3AC Motor
	1	487 2466-55	Cable set	Ensemble de câbles	3	Frequency
6	1	487 2466-00	Cable set	Ensemble de câbles	3	Sliding Door + Tilt, left-hinged
	1	487 2466-01	Cable set	Ensemble de câbles	3	Sliding Door + Tilt, right-hinged
	1	487 2466-05	Cable set	Ensemble de câbles	3	Standard, left-hinged
	1	487 2466-06	Cable set	Ensemble de câbles	3	Standard, right-hinged
7	1	487 2466-20	Cable set	Ensemble de câbles	3	Tilt
	1	487 2466-21	Cable set	Ensemble de câbles	3	Standard + Sliding Door
	1	487 2466-23	Cable set	Ensemble de câbles	3	Standard + Sliding Door + frequency
8	3	438 9636-11	Relay	Relais	1,2	Standard + Sliding Door
	1	438 9636-11	Relay	Relais	1,2	Standard + tilt + frequency
9	1	487 1535-65	Catch	Blocage	3	
10	1	487 0279-51	Relay	Relais	1,2	24V DC Indicating lamp
11	1	487 2466-69	Cable set	Ensemble de câbles	3	X/Y capacitor
12	1	487 0274-14	Fuse holder	Porte-fusible	3	
13	1	487 0274-28	Melt fuse	Fusible	1,2	1,5A
14	1	487 2466-30	Cable set	Ensemble de câbles	3	50Hz Tilt
	1	487 2466-31	Cable set	Ensemble de câbles	3	60Hz Tilt
15	1	487 2466-50	Cable set	Ensemble de câbles	3	200-240V 3AC Blower motor
	1	487 2466-51	Cable set	Ensemble de câbles	3	400-480V 3AC Blower motor
	1	487 2466-52	Cable set	Ensemble de câbles	3	200-240V 3AC Frequency Blower motor
	1	487 2466-53	Cable set	Ensemble de câbles	3	400-480V 3AC Frequency Blower motor
16	1	487 2466-71	Cable set	Ensemble de câbles	3	Power supply
17	1	487 2217-32	Switch	Commutateur	1,2	400-480V 60kW
	1	487 0289-27	Switch	Commutateur	1,2	400-480V 72kW
18	1	762 1191-10	Cable gland	Passe-fil	3	Ø28
19	1	762 1137-10	Cable gland	Passe-fil	3	Ø16
20	1	487 0951-13	Ground terminal	Borne de terre	3	
21	1	487 1723-95	Cable gland	Passe-fil	3	Ø50
22	3	438 8761-06	Terminal block	Borne de raccordement	3	
23	3	487 0289-43	Fuse	Fusible	1,2	16A
	3	487 0289-44	Fuse	Fusible	1,2	20A
	3	487 0289-79	Fuse	Fusible	1,2	15A USA
	3	487 0289-45	Fuse	Fusible	1,2	20A USA
24	3	487 0289-42	Fuse holder	Porte-fusible	3	
25	3	487 1384-04	End stop	Butée	3	
26	1	487 1535-79	X/Y capacitor	X/Y condensateur	1,2	
27	1	487 2405-44	Bracket	Support	3	
28	1	487 0289-36	Rail	Rail	3	L=235mm 400-480V 60kW
	1	487 0289-34	Rail	Rail	3	L=153mm 400-480V 72kW
29	1	487 2405-68	Bracket	Console	3	400-480V 60kW
	1	487 2405-70	Bracket	Console	3	400-480V 72kW
30	1	487 0281-65	Power relay	Power relay	1,2	T92
31	2	487 0274-13	Transformer	Transformateur	1,2	200-240V 3AC 50Hz, tilt
	1	487 0274-13	Transformer	Transformateur	1,2	200-240V 3AC 60Hz, tilt
	2	487 0274-12	Transformer	Transformateur	1,2	400-480V 3AC 50Hz, tilt
	1	487 0274-12	Transformer	Transformateur	1,2	400-480V 3AC 60Hz, tilt
32	1	487 2830-01	Connection plate	Plaque de connexion	3	
33	3	487 0274-90	Power relay	Power relay	1,2	2-pole
34	1	487 0289-26	Thermal overload relay	Protection moteur relais	1,2	200-240V, standard + Sliding Door



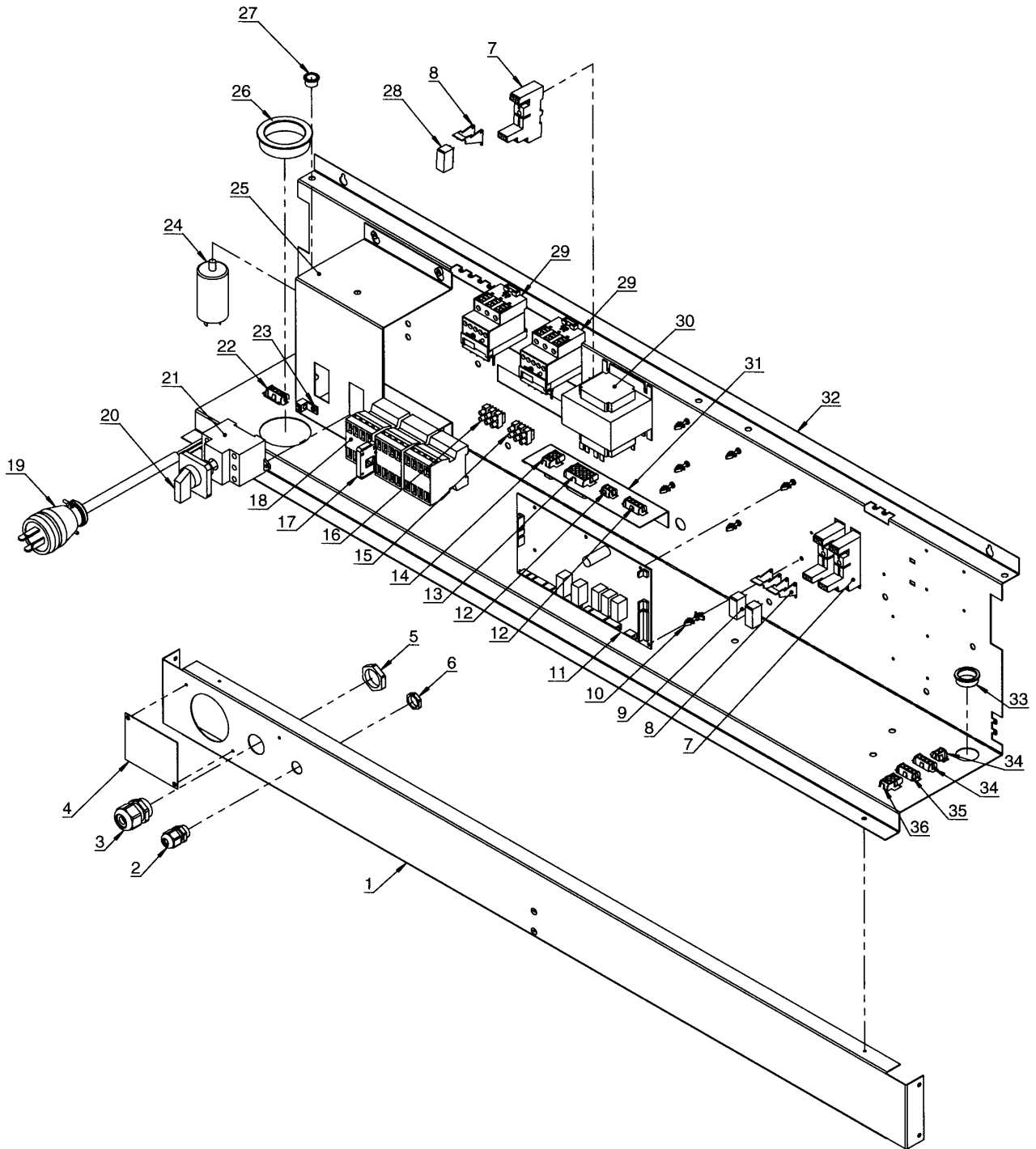
TD135 01200/0000002-

Connection unit, el Selecta II

Conexion, électrique Selecta II

Illustration Issue Month Year
Schéma Issue Month Year
200355/1 1 10 2006

Item Article	Qua Qua	Art.No Réf. article	Description	Description	Info Info	Notes Remarques
	2	487 0289-25	Thermal overload relay	Protection moteur relais	1,2	400-480V, standard + Sliding Door
	1	487 0289-25	Thermal overload relay	Protection moteur relais	1,2	400-480V, standard + Sliding Door + tilt + frequency
35	1	487 0289-47	Transformer	Transformateur	1,2	200-240V
	1	487 0289-46	Transformer	Transformateur	1,2	400-480V
36	1	762 1212-10	Cable gland	Passe-fil	3	Ø38
37	1	487 2466-62	Cable set	Ensemble de câbles	3	Electric
38	1	487 2466-55	Cable set	Ensemble de câbles	3	Frequency



Issue	Month	Year
05	08	05

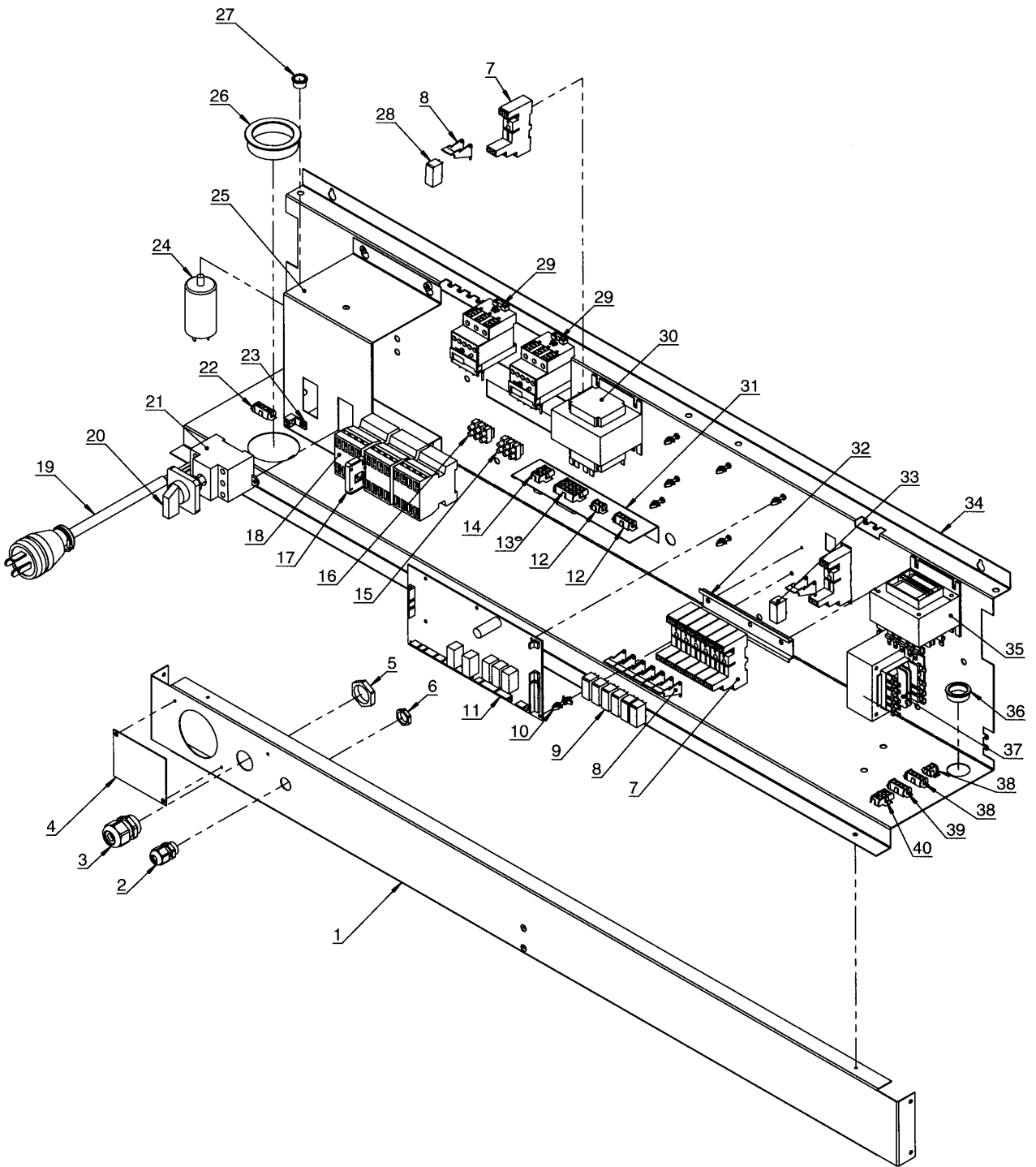
TD135 -21200/0001034

Connection unit - gas, steam

Connexion - gaz, vapeur

Illustration Issue Month Year
Schéma Issue Month Year
200032/3 10 10 2006

Item Article	Qua Qua	Art.No Réf. article	Description	Description	Info Info	Notes Remarques
1	1	487 2400-60	Beam	Poutre	3	
2	1	487 0289-00	Cable glands	Support de câble	3	M16
3	1	487 0289-02	Cable glands	Support de câble	3	M25
4	1	487 2405-33	Cover plate	Plaque recouvrement	3	
5	1	487 0289-10	Lock-nut	Contre-écrou	3	M25
6	1	487 0289-08	Lock-nut	Contre-écrou	3	M16
7	3	487 0289-81	Relay socket	Douille	3	
8	3	487 0289-85	Clamp	Archet	3	
9	1	487 0289-38	Relay	Relais	1,2	Indicating lamp
	2	487 0289-38	Relay	Relais	1,2	Frequency
10	7	487 0191-23	Spacer element	Pièce écartement	3	
11	1	487 1935-03	Printed circuit board	Carte de circuit imprimé	1,2	Complete
	1	487 1935-06	Printed circuit board	Carte de circuit imprimé	1,2	OPL USA
12	1	487 0199-01	Cable set	Ensemble de câbles	3	Standard
	1	487 0199-08	Cable set	Ensemble de câbles	3	Frequency
	1	487 0199-21	Cable set	Ensemble de câbles	3	Emergency stop/door control
13	1	487 0199-03	Cable set	Ensemble de câbles	3	Drum motor + frequency
	1	487 0199-15	Cable set	Ensemble de câbles	3	P4-P12B-P18
	1	487 0199-30	Cable set	Ensemble de câbles	3	Gas
	1	487 0199-31	Cable set	Ensemble de câbles	3	Steam
14	1	487 0199-04	Cable set	Ensemble de câbles	3	Switch
	1	487 0199-06	Cable set	Ensemble de câbles	3	Drum motor + frequency
	1	487 0199-29	Cable set	Ensemble de câbles	3	Non heated
15	1	487 2217-27	Terminal block	Borne de raccordement	3	Ext.control
16	1	487 2217-27	Terminal block	Borne de raccordement	3	Non heated
17	1	487 1535-65	Catch	Blocage	1,2	-0304/162 -21200/162 USA 0312/341- 21200/341- USA
18	3	438 9636-11	Relay	Relais	1,2	120V 1AC/208-240V 1AC
19	1	487 1702-45	Plug	Fiche	3	Japan
20	1	471 9678-94	Turning device	Dispositif	1,2	
21	1	487 2217-30	Switch	Commutateur	1,2	
22	1	487 0199-02	Cable set	Ensemble de câbles	3	Motor
	1	487 0199-05	Cable set	Ensemble de câbles	3	Blower motor + frequency
	1	487 0199-06	Cable set	Ensemble de câbles	3	Drum motor
23	1	487 0289-16	Ground terminal	Borne de terre	3	
24	1	487 1535-79	X/Y capacitor	X/Y condensateur	1,2	
25	1	487 2400-65	Bracket	Console	3	
26	1	487 1723-95	Cable gland	Passe-fil	3	Ø50
27	1	762 1137-10	Cable gland	Passe-fil	3	Ø16
28	1	487 0289-38	Relay	Relais	1,2	
29	RQ	487 0289-26	Thermal overload relay	Protection moteur relais	1,2	200-240V 50Hz
	RQ	487 0289-53	Thermal overload relay	Protection moteur relais	1,2	200-240V 60Hz
	RQ	487 0289-25	Thermal overload relay	Protection moteur relais	1,2	400-480V 50/60Hz
30	1	487 1714-57	Transformer	Transformateur	1,2	200-240V
	1	487 1714-56	Transformer	Transformateur	1,2	400-480V
31	1	487 2405-69	Bracket	Support	3	
32	1	487 2400-59	Connection plate	Plaque de connexion	3	
33	1	762 1191-10	Cable gland	Passe-fil	3	Ø28
34	1	487 0199-05	Cable set	Ensemble de câbles	3	Blower motor + frequency
35	1	487 0199-02	Cable set	Ensemble de câbles	3	Motor
	1	487 0199-05	Cable set	Ensemble de câbles	3	Blower motor + frequency
	1	487 0199-06	Cable set	Ensemble de câbles	3	Drum motor
36	1	487 0199-03	Cable set	Ensemble de câbles	3	Drum motor + frequency
	1	487 0199-15	Cable set	Ensemble de câbles	3	P4-P12B-P18
	1	487 0199-30	Cable set	Ensemble de câbles	3	Gas
	1	487 0199-31	Cable set	Ensemble de câbles	3	Steam



Issue	Month	Year
03	08	05

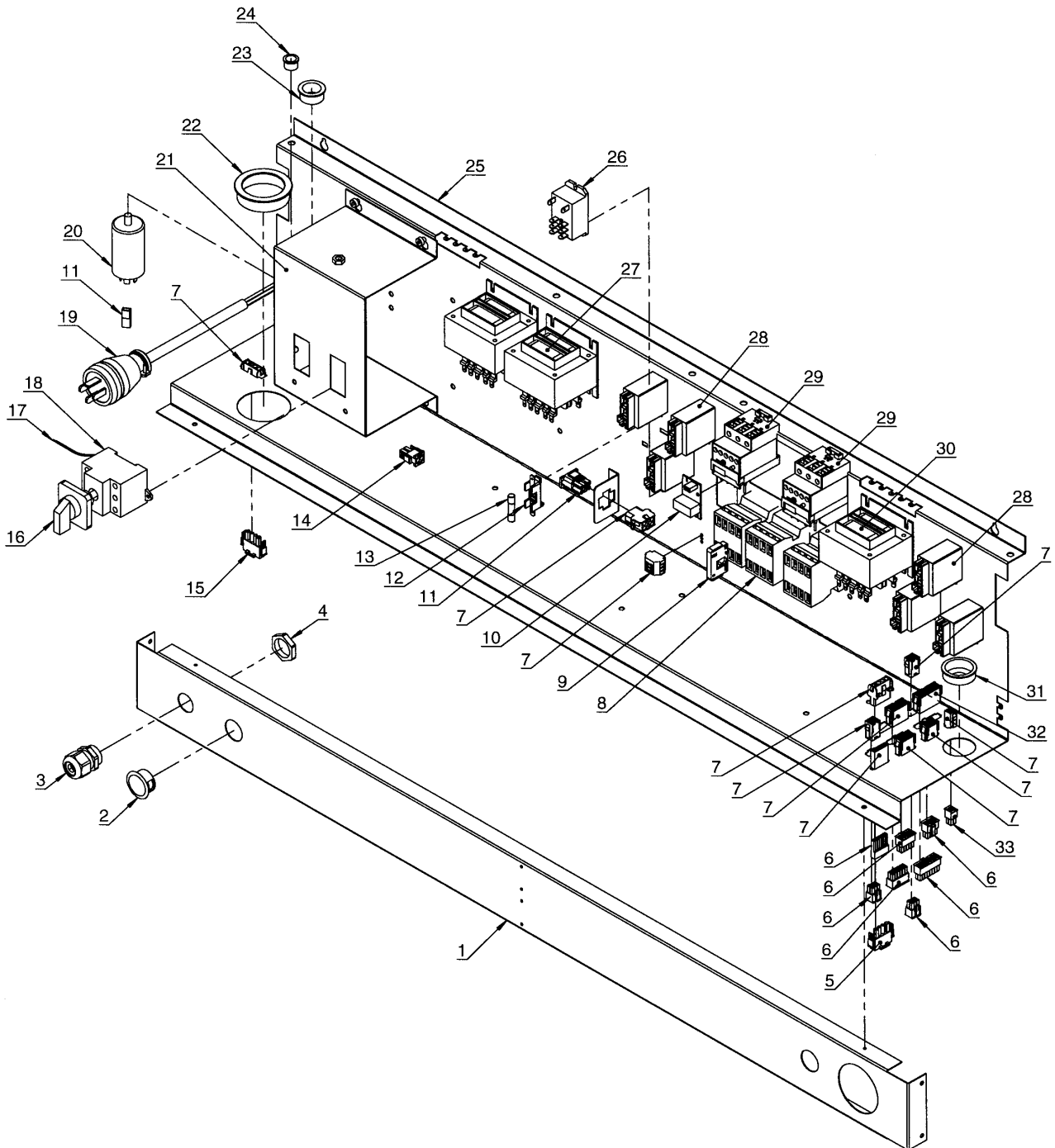
TD135 -21200/0001034

Connection unit - Sliding Door + Tilt, gas + steam

Connexion - Sliding Door + Inclinaison, gaz + vapeur

Illustration Issue Month Year
Schéma Issue Month Year
200164/1 7 10 2006

Item Article	Qua Qua	Art.No Réf. article	Description	Description	Info Info	Notes Remarques
1	1	487 2400-60	Beam	Poutre	3	
2	1	487 0289-00	Cable glands	Support de câble	3	M16
3	1	487 0289-02	Cable glands	Support de câble	3	M25
4	1	487 2405-33	Cover plate	Plaque recouvrement	3	
5	1	487 0289-10	Lock-nut	Contre-écrou	3	M25
6	1	487 0289-08	Lock-nut	Contre-écrou	3	M16
7	8	487 0289-81	Relay socket	Douille	3	
8	8	487 0289-85	Clamp	Archet	3	
9	5	487 0274-22	Relay	Relais	1,2	Sliding Door + Tilt
10	7	487 0191-23	Spacer element	Pièce écartement	3	
11	1	487 1935-03	Printed circuit board	Carte de circuit imprimé	1,2	Complete
	1	487 1935-06	Printed circuit board	Carte de circuit imprimé	1,2	OPL USA
12	1	487 0199-01	Cable set	Ensemble de câbles	3	Standard
	1	487 0199-08	Cable set	Ensemble de câbles	3	Frequency
	1	487 0199-21	Cable set	Ensemble de câbles	3	Emergency stop/door control
13	1	487 0199-03	Cable set	Ensemble de câbles	3	Drum motor + frequency
	1	487 0199-15	Cable set	Ensemble de câbles	3	P4-P12B-P18
	1	487 0199-30	Cable set	Ensemble de câbles	3	Gas
	1	487 0199-31	Cable set	Ensemble de câbles	3	Steam
14	1	487 0199-04	Cable set	Ensemble de câbles	3	Switch
	1	487 0199-06	Cable set	Ensemble de câbles	3	Drum motor + frequency
	1	487 0199-29	Cable set	Ensemble de câbles	3	Non heated
15	1	487 2217-27	Terminal block	Borne de raccordement	3	Ext.control
16	1	487 2217-27	Terminal block	Borne de raccordement	3	Non heated
17	1	487 1535-65	Catch	Blocage	1,2	
18	3	438 9636-11	Relay	Relais	1,2	120V 1AC/208-240V 1AC
19	1	487 1702-45	Plug	Fiche	3	Japan
20	1	471 9678-94	Turning device	Dispositif	1,2	
21	1	487 2217-30	Switch	Commutateur	1,2	
22	1	487 0199-02	Cable set	Ensemble de câbles	3	Motor
	1	487 0199-05	Cable set	Ensemble de câbles	3	Blower motor + frequency
	1	487 0199-06	Cable set	Ensemble de câbles	3	Drum motor
23	1	487 0289-16	Ground terminal	Borne de terre	3	
24	1	487 1535-79	X/Y capacitor	X/Y condensateur	1,2	
25	1	487 2400-65	Bracket	Console	3	
26	1	487 1723-95	Cable gland	Passe-fil	3	Ø50
27	1	762 1137-10	Cable gland	Passe-fil	3	Ø16
28	1	487 0289-38	Relay	Relais	1,2	
29	RQ	487 0289-26	Thermal overload relay	Protection moteur relais	1,2	200-240V 50Hz
	RQ	487 0289-53	Thermal overload relay	Protection moteur relais	1,2	200-240V 60Hz
	RQ	487 0289-25	Thermal overload relay	Protection moteur relais	1,2	400-480V 50/60Hz
30	1	487 1714-57	Transformer	Transformateur	1,2	200-240V
	1	487 1714-56	Transformer	Transformateur	1,2	400-480V
31	1	487 2405-69	Bracket	Support	3	
32	1	487 0289-34	Rail	Rail	3	L=153mm Sliding Door + Tilt
33	1	487 0274-22	Relay	Relais	1,2	Frequency
34	1	487 2400-59	Connection plate	Plaque de connexion	3	
35	1	487 0274-13	Transformer	Transformateur	1,2	Sliding Door + Tilt
36	1	762 1191-10	Cable gland	Passe-fil	3	Ø28
37	2	487 0274-12	Transformer	Transformateur	3	Sliding Door + Tilt
38	1	487 0199-05	Cable set	Ensemble de câbles	3	Blower motor + frequency
39	1	487 0199-02	Cable set	Ensemble de câbles	3	Motor
	1	487 0199-05	Cable set	Ensemble de câbles	3	Blower motor + frequency
	1	487 0199-06	Cable set	Ensemble de câbles	3	Drum motor
40	1	487 0199-03	Cable set	Ensemble de câbles	3	Drum motor + frequency
	1	487 0199-05	Cable set	Ensemble de câbles	3	Blower motor + frequency
	1	487 0199-06	Cable set	Ensemble de câbles	3	Drum motor



TD135 01200/0000002-

Connection unit - gas, steam Selecta II

Connexion - gaz, vapeur Selecta II

Illustration Issue Month Year
Schéma Issue Month Year
200356/1 2 2 2007

Item Article	Qua Qua	Art.No Réf. article	Description	Description	Info Info	Notes Remarques
1	1	487 2550-01	Beam	Poutre	3	
2	1	471 7977-04	Blind plug	Écrou borgne	3	Ø28
3	1	487 0289-02	Cable glands	Support de câble	3	M25
4	1	487 0289-10	Lock-nut	Contre-écrou	3	M25
5	1	487 2466-50	Cable set	Ensemble de câbles	3	200-240V 3AC Motor
	1	487 2466-51	Cable set	Ensemble de câbles	3	400-480V 3AC Motor
	1	487 2466-55	Cable set	Ensemble de câbles	3	Frequency
6	1	487 2466-00	Cable set	Ensemble de câbles	3	Sliding Door + Tilt, left-hinged
	1	487 2466-01	Cable set	Ensemble de câbles	3	Sliding Door + Tilt, right-hinged
	1	487 2466-05	Cable set	Ensemble de câbles	3	Standard, left-hinged
	1	487 2466-06	Cable set	Ensemble de câbles	3	Standard, right-hinged
7	1	487 2466-20	Cable set	Ensemble de câbles	3	Tilt
	1	487 2466-21	Cable set	Ensemble de câbles	3	Standard + Sliding Door
	1	487 2466-23	Cable set	Ensemble de câbles	3	Standard + Sliding Door + frequency
8	3	438 9636-11	Relay	Relais	1,2	Standard + Sliding Door
	1	438 9636-11	Relay	Relais	1,2	Standard + tilt + frequency
9	1	487 1535-65	Catch	Blocage	3	
10	1	487 0279-51	Relay	Relais	1,2	24V DC Indicating lamp
11	1	487 2466-69	Cable set	Ensemble de câbles	3	X/Y capacitor
12	1	487 0274-14	Fuse holder	Porte-fusible	3	
13	1	487 0274-28	Melt fuse	Fusible	1,2	1,5A
14	1	487 2466-30	Cable set	Ensemble de câbles	3	50Hz Tilt
	1	487 2466-31	Cable set	Ensemble de câbles	3	60Hz
15	1	487 2466-50	Cable set	Ensemble de câbles	3	200-240V 3AC Blower motor
	1	487 2466-51	Cable set	Ensemble de câbles	3	400-480V 3AC Blower motor
	1	487 2466-52	Cable set	Ensemble de câbles	3	200-240V 3AC Frequency Blower motor
	1	487 2466-53	Cable set	Ensemble de câbles	3	400-480V 3AC Frequency Blower motor
16	1	471 9678-94	Turning device	Dispositif	3	
17	1	487 2466-71	Cable set	Ensemble de câbles	3	Power supply
18	1	487 2217-30	Switch	Commutateur	1,2	
19	1	487 1702-45	Plug	Fiche	3	Japan
20	1	487 1535-79	X/Y capacitor	X/Y condensateur	1,2	
21	1	487 2400-65	Bracket	Console	3	
22	1	487 1723-95	Cable gland	Passe-fil	3	Ø50
23	1	762 1191-10	Cable gland	Passe-fil	3	Ø28
24	1	762 1137-10	Cable gland	Passe-fil	3	Ø16
25	1	487 2830-01	Connection plate	Plaque de connexion	3	
26	1	487 0281-65	Power relay	Power relay	1,2	T92
27	2	487 0274-13	Transformer	Transformateur	1,2	200-240V 3AC 50Hz, tilt
	1	487 0274-13	Transformer	Transformateur	1,2	200-240V 3AC 60Hz, tilt
	2	487 0274-12	Transformer	Transformateur	1,2	400-480V 3AC 50Hz, tilt
	1	487 0274-12	Transformer	Transformateur	1,2	400-480V 3AC 60Hz, tilt
28	3	487 0274-90	Power relay	Power relay	1,2	Standard + Sliding Door + frequency
	6	487 0274-90	Power relay	Power relay	1,2	Standard + tilt + frequency
29	1	487 0289-26	Thermal overload relay	Protection moteur relais	1,2	200-240V, standard + Sliding Door
	2	487 0289-25	Thermal overload relay	Protection moteur relais	1,2	400-480V, standard + Sliding Door + tilt + frequency
30	1	487 0289-47	Transformer	Transformateur	1,2	200-240V
	1	487 0289-46	Transformer	Transformateur	1,2	400-480V
31	1	762 1212-10	Cable gland	Passe-fil	3	Ø38
32	1	487 2466-61	Cable set	Ensemble de câbles	3	Steam
	1	487 2466-65	Cable set	Ensemble de câbles	3	Gas
33	1	487 2466-55	Cable set	Ensemble de câbles	3	Frequency

Numerical index/Numerical index

Art.No/Réf. article	Page/Page	Art.No/Réf. article	Page/Page	Art.No/Réf. article	Page/Page	Art.No/Réf. article	Page/Page
125 8760-00	53	472 7414-01	11	487 0199-27	71	487 0285-95	59
125 8760-00	61	472 7414-01	51	487 0199-28	71	487 0285-97	11
432 2620-06	7	472 7414-01	53	487 0199-29	67	487 0285-98	11
432 2620-07	7	487 0068-20	59	487 0199-29	71	487 0285-99	11
432 2620-08	7	487 0068-28	59	487 0199-29	79	487 0286-00	11
432 2620-09	7	487 0098-12	37	487 0199-29	81	487 0286-01	11
432 2620-09	11	487 0098-12	39	487 0199-30	59	487 0286-02	11
438 8156-01*	9	487 0101-30	51	487 0199-30	79	487 0286-03	11
438 8156-01*	11	487 0101-30	53	487 0199-30	81	487 0286-04	11
438 8761-06	57	487 0191-23	67	487 0199-31	63	487 0286-05	11
438 8761-06	67	487 0191-23	71	487 0199-31	79	487 0286-06	11
438 8761-06	71	487 0191-23	79	487 0199-31	81	487 0286-07	11
438 8761-06	75	487 0191-23	81	487 0199-32	55	487 0286-08	11
438 9636-11	67	487 0191-28	29	487 0199-32	67	487 0289-00	67
438 9636-11	71	487 0199-01	67	487 0199-32	69	487 0289-00	71
438 9636-11	75	487 0199-01	79	487 0199-32	71	487 0289-00	79
438 9636-11	79	487 0199-01	81	487 0199-32	73	487 0289-00	81
438 9636-11	81	487 0199-02	67	487 0199-33	57	487 0289-02	67
438 9636-11	83	487 0199-02	69	487 0199-35	57	487 0289-02	71
438 9637-31	57	487 0199-02	71	487 0199-42	47	487 0289-02	79
471 2068-48	7	487 0199-02	73	487 0199-48	41	487 0289-02	81
471 2068-48	35	487 0199-02	79	487 0199-49	41	487 0289-02	83
471 2068-48	45	487 0199-02	81	487 0199-51	17	487 0289-05	67
471 2068-48	51	487 0199-03	67	487 0199-53	21	487 0289-05	71
471 7864-05	11	487 0199-03	69	487 0199-53	25	487 0289-05	75
471 7977-04	75	487 0199-03	71	487 0199-54	21	487 0289-08	67
471 7977-04	83	487 0199-03	73	487 0199-54	25	487 0289-08	71
471 8151-90	61	487 0199-03	79	487 0215-72	7	487 0289-08	79
471 8400-06	59	487 0199-03	81	487 0215-72	11	487 0289-08	81
471 8690-32	61	487 0199-04	67	487 0215-73	29	487 0289-10	67
471 8690-74	61	487 0199-04	71	487 0215-81	43	487 0289-10	71
471 8690-91	61	487 0199-04	79	487 0215-82	43	487 0289-10	79
471 8750-17	19	487 0199-04	81	487 0274-12	73	487 0289-10	81
471 8750-17	23	487 0199-05	67	487 0274-12	75	487 0289-10	83
471 8750-17	27	487 0199-05	69	487 0274-12	81	487 0289-13	67
471 8750-18	19	487 0199-05	71	487 0274-12	83	487 0289-13	71
471 8750-18	23	487 0199-05	73	487 0274-13	73	487 0289-13	75
471 8750-18	27	487 0199-05	79	487 0274-13	75	487 0289-16	79
471 9628-32	21	487 0199-05	81	487 0274-13	81	487 0289-16	81
471 9628-32	23	487 0199-06	67	487 0274-13	83	487 0289-17	57
471 9628-32	25	487 0199-06	69	487 0274-14	75	487 0289-25	67
471 9628-32	27	487 0199-06	71	487 0274-14	83	487 0289-25	71
471 9628-70	21	487 0199-06	73	487 0274-22	71	487 0289-25	77
471 9628-70	23	487 0199-06	79	487 0274-22	73	487 0289-25	79
471 9628-70	25	487 0199-06	81	487 0274-22	81	487 0289-25	81
471 9628-70	27	487 0199-08	67	487 0274-28	75	487 0289-25	83
471 9628-71	25	487 0199-08	79	487 0274-28	83	487 0289-26	67
471 9628-71	27	487 0199-08	81	487 0274-32	55	487 0289-26	71
471 9628-75	7	487 0199-10	43	487 0274-32	59	487 0289-26	75
471 9628-75	21	487 0199-11	43	487 0274-34	53	487 0289-26	79
471 9628-75	23	487 0199-12	43	487 0274-34	61	487 0289-26	81
471 9628-75	25	487 0199-13	43	487 0274-49	11	487 0289-26	83
471 9628-75	27	487 0199-15	67	487 0274-49	23	487 0289-27	67
471 9678-94	79	487 0199-15	69	487 0274-49	27	487 0289-27	71
471 9678-94	81	487 0199-15	71	487 0274-49	35	487 0289-27	75
471 9678-94	83	487 0199-15	73	487 0274-90	75	487 0289-34	67
471 9853-48	59	487 0199-15	79	487 0274-90	83	487 0289-34	71
471 9853-49	59	487 0199-15	81	487 0279-51	75	487 0289-34	75
471 9853-58	59	487 0199-16	45	487 0279-51	83	487 0289-34	81
471 9853-64	59	487 0199-21	7	487 0281-16	19	487 0289-35	57
471 9853-68	59	487 0199-21	67	487 0281-16	23	487 0289-36	67
471 9853-72	59	487 0199-21	71	487 0281-16	27	487 0289-36	71
471 9853-76	59	487 0199-21	79	487 0281-65	75	487 0289-36	75
471 9853-88	59	487 0199-21	81	487 0281-65	83	487 0289-38	67
471 9853-90	59	487 0199-25	71	487 0285-13	53	487 0289-38	71
472 7414-01	9	487 0199-26	71	487 0285-13	61	487 0289-38	79

Numerical index/Numerical index

Art.No/Réf. article	Page/Page	Art.No/Réf. article	Page/Page	Art.No/Réf. article	Page/Page	Art.No/Réf. article	Page/Page
487 0289-38	81	487 0289-81	67	487 1695-49	43	487 1897-05	37
487 0289-42	67	487 0289-81	71	487 1697-08	55	487 1897-05	39
487 0289-42	71	487 0289-81	79	487 1697-08	59	487 1897-93	59
487 0289-42	75	487 0289-81	81	487 1701-22	59	487 1898-10	7
487 0289-43	67	487 0289-85	67	487 1702-45	79	487 1898-10	35
487 0289-43	71	487 0289-85	71	487 1702-45	81	487 1898-10	45
487 0289-43	75	487 0289-85	79	487 1702-45	83	487 1898-10	51
487 0289-44	67	487 0289-85	81	487 1714-56	67	487 1920-05	35
487 0289-44	71	487 0289-87	49	487 1714-56	71	487 1924-03	17
487 0289-44	75	487 0289-99	49	487 1714-56	79	487 1924-03	21
487 0289-45	67	487 0324-71	61	487 1714-56	81	487 1924-03	23
487 0289-45	71	487 0510-30	19	487 1714-57	67	487 1924-03	25
487 0289-45	75	487 0510-30	23	487 1714-57	71	487 1924-03	27
487 0289-46	77	487 0510-30	27	487 1714-57	79	487 1934-20	17
487 0289-46	83	487 0951-13	57	487 1714-57	81	487 1934-20	21
487 0289-47	77	487 0951-13	67	487 1714-70	17	487 1934-20	25
487 0289-47	83	487 0951-13	71	487 1714-70	21	487 1934-71	51
487 0289-53	67	487 0951-13	75	487 1714-70	25	487 1934-71	61
487 0289-53	71	487 0998-01	33	487 1714-71	33	487 1935-03	67
487 0289-53	79	487 0998-02	33	487 1714-72	33	487 1935-03	71
487 0289-53	81	487 0998-03	33	487 1714-73	33	487 1935-03	79
487 0289-57	47	487 0998-05	33	487 1714-74	33	487 1935-03	81
487 0289-60	47	487 0998-06	33	487 1714-75	33	487 1935-06	67
487 0289-63	47	487 0998-18	7	487 1714-76	33	487 1935-06	71
487 0289-64	17	487 0998-18	11	487 1714-78	17	487 1935-06	79
487 0289-64	19	487 1384-04	57	487 1714-79	7	487 1935-06	81
487 0289-64	21	487 1384-04	67	487 1714-79	11	487 1935-13	47
487 0289-64	23	487 1384-04	71	487 1714-80	7	487 1935-14	47
487 0289-64	25	487 1384-04	75	487 1714-81	7	487 1935-15	17
487 0289-64	27	487 1437-25	59	487 1714-82	7	487 1935-18	9
487 0289-65	17	487 1438-21	59	487 1714-83	7	487 1935-18	11
487 0289-65	19	487 1438-25	59	487 1714-84	7	487 1935-19	7
487 0289-65	21	487 1492-01	39	487 1714-85	7	487 1935-20	7
487 0289-65	23	487 1510-88	33	487 1714-86	7	487 1935-21	7
487 0289-65	25	487 1510-88	35	487 1714-87	7	487 1935-22	7
487 0289-65	27	487 1531-76	55	487 1714-88	7	487 1935-23	7
487 0289-66	17	487 1533-91	59	487 1714-89	7	487 1935-24	7
487 0289-66	19	487 1533-96	59	487 1714-90	7	487 1935-25	7
487 0289-66	21	487 1535-04	51	487 1714-91	7	487 1935-26	7
487 0289-66	23	487 1535-04	55	487 1714-94	59	487 1935-27	7
487 0289-66	25	487 1535-04	59	487 1715-84	55	487 1935-28	7
487 0289-66	27	487 1535-21	17	487 1715-85	55	487 1935-29	7
487 0289-69	7	487 1535-21	21	487 1715-86	55	487 1935-30	9
487 0289-69	21	487 1535-21	25	487 1715-90	55	487 1935-53	35
487 0289-69	23	487 1535-65	67	487 1715-94	55	487 1935-71	49
487 0289-69	25	487 1535-65	71	487 1715-95	55	487 1935-73	13
487 0289-69	27	487 1535-65	75	487 1715-96	55	487 1935-74	33
487 0289-72	25	487 1535-65	79	487 1723-95	7	487 1969-81	7
487 0289-72	27	487 1535-65	81	487 1723-95	11	487 1969-88	17
487 0289-73	25	487 1535-65	83	487 1723-95	67	487 1969-88	19
487 0289-73	27	487 1535-79	67	487 1723-95	71	487 1969-88	21
487 0289-74	25	487 1535-79	71	487 1723-95	75	487 1969-88	23
487 0289-74	27	487 1535-79	75	487 1723-95	79	487 1969-88	25
487 0289-75	7	487 1535-79	79	487 1723-95	81	487 1969-88	27
487 0289-75	21	487 1535-79	81	487 1723-95	83	487 1974-96	33
487 0289-75	23	487 1535-79	83	487 1756-35	29	487 1974-96	35
487 0289-75	25	487 1600-02	37	487 1764-14	59	487 2000-13	41
487 0289-75	27	487 1600-13	63	487 1781-19	55	487 2000-14	41
487 0289-76	7	487 1600-14	63	487 1781-22	55	487 2100-81	19
487 0289-76	21	487 1600-16	19	487 1781-51	63	487 2100-81	23
487 0289-76	23	487 1600-16	23	487 1813-10	51	487 2100-81	27
487 0289-76	25	487 1600-16	27	487 1820-78	37	487 2217-25	57
487 0289-76	27	487 1654-06	43	487 1820-78	39	487 2217-27	67
487 0289-79	67	487 1694-18	47	487 1820-79	41	487 2217-27	71
487 0289-79	71	487 1694-58	51	487 1831-00	41	487 2217-27	79
487 0289-79	75	487 1695-48	43	487 1875-30	33	487 2217-27	81

Numerical index/Numerical index

Art.No/Réf. article	Page/Page	Art.No/Réf. article	Page/Page	Art.No/Réf. article	Page/Page	Art.No/Réf. article	Page/Page
487 2217-30	79	487 2400-21	7	487 2400-80	51	487 2405-96	51
487 2217-30	81	487 2400-21	11	487 2400-80	53	487 2405-96	53
487 2217-30	83	487 2400-21	55	487 2400-81	43	487 2405-97	53
487 2217-32	67	487 2400-24	29	487 2400-82	43	487 2406-00	55
487 2217-32	71	487 2400-26	13	487 2400-83	43	487 2406-00	59
487 2217-32	75	487 2400-26	31	487 2400-84	43	487 2406-01	7
487 2226-46	55	487 2400-26	51	487 2400-89	37	487 2406-01	11
487 2226-46	59	487 2400-30	61	487 2400-89	39	487 2406-04	43
487 2226-46	63	487 2400-32	51	487 2400-89	41	487 2406-05	7
487 2226-46	65	487 2400-33	51	487 2400-90	59	487 2406-09	17
487 2226-87	17	487 2400-33	53	487 2400-95	59	487 2406-15	55
487 2226-87	19	487 2400-37	43	487 2400-97	59	487 2406-15	59
487 2226-87	21	487 2400-38	51	487 2400-98	43	487 2406-15	63
487 2226-87	23	487 2400-38	53	487 2401-55	49	487 2406-40	7
487 2226-87	25	487 2400-39	43	487 2404-05	55	487 2406-50	55
487 2226-87	27	487 2400-40	37	487 2404-05	59	487 2406-50	59
487 2228-24	13	487 2400-40	39	487 2404-05	63	487 2406-50	63
487 2228-24	15	487 2400-40	41	487 2404-05	65	487 2406-55	7
487 2228-27	11	487 2400-40	43	487 2404-40	55	487 2406-80	55
487 2228-27	13	487 2400-40	49	487 2404-40	59	487 2406-80	59
487 2228-27	15	487 2400-42	37	487 2404-40	63	487 2406-80	63
487 2228-35	13	487 2400-42	39	487 2404-40	65	487 2408-05	37
487 2228-35	15	487 2400-43	43	487 2404-55	55	487 2408-05	39
487 2255-15	55	487 2400-44	43	487 2404-55	59	487 2408-05	41
487 2256-07	7	487 2400-45	43	487 2404-55	63	487 2408-13	37
487 2256-07	11	487 2400-46	37	487 2404-55	65	487 2408-13	39
487 2256-07	51	487 2400-46	39	487 2404-93	7	487 2408-14	37
487 2256-07	53	487 2400-46	61	487 2404-93	11	487 2408-14	39
487 2293-35	7	487 2400-48	43	487 2404-94	7	487 2408-17	41
487 2293-35	11	487 2400-52	43	487 2404-94	11	487 2408-18	41
487 2293-35	13	487 2400-53	51	487 2405-01	43	487 2408-33	55
487 2293-35	15	487 2400-55	43	487 2405-05	7	487 2408-33	59
487 2293-42	19	487 2400-57	37	487 2405-15	59	487 2408-36	59
487 2307-25	31	487 2400-57	39	487 2405-25	55	487 2408-38	59
487 2307-33	19	487 2400-58	37	487 2405-27	57	487 2408-39	59
487 2307-33	23	487 2400-58	39	487 2405-28	55	487 2408-41	55
487 2307-33	27	487 2400-59	67	487 2405-32	55	487 2408-49	55
487 2307-44	11	487 2400-59	71	487 2405-33	79	487 2408-49	59
487 2307-53	19	487 2400-59	79	487 2405-33	81	487 2408-49	61
487 2307-53	23	487 2400-59	81	487 2405-37	55	487 2408-52	63
487 2307-53	27	487 2400-60	67	487 2405-38	21	487 2408-79	39
487 2307-58*	55	487 2400-60	71	487 2405-40	7	487 2408-83	37
487 2307-58*	59	487 2400-60	79	487 2405-41	51	487 2408-83	39
487 2309-30	59	487 2400-60	81	487 2405-41	53	487 2411-05	55
487 2309-31	59	487 2400-61	7	487 2405-42	47	487 2411-05	59
487 2317-84	51	487 2400-61	11	487 2405-43	43	487 2411-05	63
487 2317-84	53	487 2400-62	37	487 2405-44	67	487 2411-06	55
487 2317-84	61	487 2400-62	39	487 2405-44	71	487 2411-06	59
487 2327-95	41	487 2400-63	43	487 2405-44	75	487 2411-06	63
487 2328-85	61	487 2400-64	43	487 2405-55	7	487 2411-41	55
487 2330-10	61	487 2400-65	79	487 2405-66	43	487 2411-41	59
487 2330-11	61	487 2400-65	81	487 2405-68	67	487 2411-41	63
487 2359-70	7	487 2400-65	83	487 2405-68	71	487 2411-55	55
487 2359-73	7	487 2400-66	43	487 2405-68	75	487 2411-55	59
487 2368-43	63	487 2400-68	43	487 2405-69	67	487 2411-55	63
487 2368-44	63	487 2400-69	51	487 2405-69	71	487 2411-62	55
487 2368-45	63	487 2400-69	53	487 2405-69	79	487 2411-62	59
487 2400-00	43	487 2400-70	51	487 2405-69	81	487 2411-62	65
487 2400-07	37	487 2400-70	53	487 2405-70	67	487 2411-63	63
487 2400-07	39	487 2400-72	51	487 2405-70	71	487 2411-63	65
487 2400-08	43	487 2400-72	53	487 2405-70	75	487 2411-64	63
487 2400-09	43	487 2400-74	43	487 2405-78	43	487 2411-64	65
487 2400-12	37	487 2400-75	43	487 2405-81	17	487 2411-65	55
487 2400-12	39	487 2400-76	43	487 2405-82	17	487 2411-65	59
487 2400-17	37	487 2400-79	51	487 2405-90	63	487 2411-65	65
487 2400-17	39	487 2400-79	53	487 2405-91	63	487 2411-67	55

Numerical index/Numerical index

Art.No/Réf. article	Page/Page	Art.No/Réf. article	Page/Page	Art.No/Réf. article	Page/Page	Art.No/Réf. article	Page/Page
487 2411-67	59	487 2426-55	13	487 2436-10	13	487 2466-50	83
487 2411-67	63	487 2426-55	31	487 2436-10	15	487 2466-51	43
487 2411-73	55	487 2426-56	13	487 2436-11	31	487 2466-51	75
487 2411-73	59	487 2426-60	35	487 2436-15	21	487 2466-51	83
487 2411-73	63	487 2426-62	13	487 2436-16	25	487 2466-52	43
487 2411-80	17	487 2426-62	15	487 2436-55	49	487 2466-52	75
487 2411-81	17	487 2426-63	13	487 2437-55	49	487 2466-52	83
487 2411-90	41	487 2426-63	15	487 2438-55	65	487 2466-53	43
487 2412-01	43	487 2426-68	25	487 2439-55	31	487 2466-53	75
487 2412-02	43	487 2426-69	25	487 2444-05	13	487 2466-53	83
487 2412-12	43	487 2426-70	21	487 2444-40	13	487 2466-54	19
487 2412-19	43	487 2426-71	21	487 2445-05	13	487 2466-54	23
487 2412-20	43	487 2426-72	25	487 2445-40	13	487 2466-54	27
487 2412-24	53	487 2426-73	25	487 2446-05	65	487 2466-55	47
487 2422-72	41	487 2426-74	21	487 2446-40	65	487 2466-55	75
487 2422-74	41	487 2426-75	21	487 2446-55	65	487 2466-55	77
487 2422-80	43	487 2426-76	31	487 2446-76	21	487 2466-55	83
487 2422-81	43	487 2426-79	31	487 2446-76	25	487 2466-57	61
487 2422-82	39	487 2426-82	13	487 2446-90	33	487 2466-61	63
487 2422-83	39	487 2426-82	15	487 2447-05	65	487 2466-61	83
487 2422-84	39	487 2426-82	31	487 2447-40	65	487 2466-62	55
487 2422-84	51	487 2426-85	31	487 2447-55	65	487 2466-62	77
487 2422-85	39	487 2426-88	13	487 2447-61	35	487 2466-63	57
487 2422-86	39	487 2426-88	15	487 2447-80	13	487 2466-64	57
487 2422-90	41	487 2426-89	13	487 2447-80	15	487 2466-65	59
487 2426-00	65	487 2426-91	13	487 2447-81	13	487 2466-65	83
487 2426-01	65	487 2426-91	15	487 2447-81	15	487 2466-69	75
487 2426-02	13	487 2426-94	35	487 2448-72	31	487 2466-69	83
487 2426-02	31	487 2426-96	25	487 2448-76	31	487 2466-71	75
487 2426-03	45	487 2426-98	13	487 2449-10	29	487 2466-71	83
487 2426-04	21	487 2426-98	15	487 2450-05	33	487 2466-99	41
487 2426-04	25	487 2426-99	13	487 2450-06	33	487 2469-01	15
487 2426-05	49	487 2426-99	15	487 2450-37	63	487 2510-01	23
487 2426-06	13	487 2427-20	49	487 2450-41	33	487 2510-01	27
487 2426-06	15	487 2427-21	45	487 2450-55	33	487 2511-01	23
487 2426-07	13	487 2427-22	45	487 2450-63	33	487 2511-01	27
487 2426-07	15	487 2427-23	45	487 2450-77	33	487 2512-01	15
487 2426-08	13	487 2427-24	21	487 2466-00	23	487 2514-01	15
487 2426-08	15	487 2427-24	25	487 2466-00	27	487 2515-01	23
487 2426-08	31	487 2427-25	49	487 2466-00	75	487 2515-01	27
487 2426-09	13	487 2427-26	49	487 2466-00	83	487 2516-01	31
487 2426-09	15	487 2427-27	49	487 2466-01	23	487 2517-01	27
487 2426-09	31	487 2427-44	21	487 2466-01	27	487 2518-01	27
487 2426-16	13	487 2427-44	25	487 2466-01	75	487 2519-01	31
487 2426-16	15	487 2427-46	41	487 2466-01	83	487 2519-01	53
487 2426-17	13	487 2427-55	35	487 2466-05	19	487 2520-01	15
487 2426-17	15	487 2427-57	13	487 2466-05	75	487 2521-01	15
487 2426-18	13	487 2427-57	15	487 2466-05	83	487 2524-01	31
487 2426-18	15	487 2427-62	49	487 2466-06	19	487 2526-01	35
487 2426-20	31	487 2427-69	49	487 2466-06	75	487 2527-01	35
487 2426-22	31	487 2427-70	49	487 2466-06	83	487 2528-01	61
487 2426-24	13	487 2427-71	49	487 2466-08	19	487 2529-01	53
487 2426-24	15	487 2427-75	49	487 2466-10	27	487 2531-01	39
487 2426-31	31	487 2427-76	49	487 2466-12	11	487 2531-01	61
487 2426-36	31	487 2427-82	49	487 2466-20	75	487 2535-01	31
487 2426-39	31	487 2427-83	49	487 2466-20	83	487 2537-01	31
487 2426-48	13	487 2427-85	49	487 2466-21	75	487 2538-01	15
487 2426-48	15	487 2427-86	49	487 2466-21	83	487 2539-02	31
487 2426-50	31	487 2427-87	49	487 2466-23	75	487 2540-02	31
487 2426-51	13	487 2427-88	49	487 2466-23	83	487 2541-01	19
487 2426-52	13	487 2427-96	49	487 2466-30	75	487 2541-01	23
487 2426-52	15	487 2429-55	49	487 2466-30	83	487 2541-01	27
487 2426-53	13	487 2436-04	25	487 2466-31	75	487 2542-01	23
487 2426-53	15	487 2436-05	49	487 2466-31	83	487 2543-01	23
487 2426-54	13	487 2436-07	31	487 2466-50	43	487 2546-01	23
487 2426-54	15	487 2436-09	31	487 2466-50	75	487 2547-01	39

Numerical index/Numerical index

Art.No/Réf. article	Page/Page	Art.No/Réf. article	Page/Page	Art.No/Réf. article	Page/Page	Art.No/Réf. article	Page/Page
487 2547-01	41	762 1212-10	19				
487 2547-01	43	762 1212-10	77				
487 2547-01	49	762 1212-10	83				
487 2550-01	75	762 1218-10	11				
487 2550-01	83	762 7202-57	51				
487 2551-05	11	762 7202-57	55				
487 2551-40	11	762 7202-57	59				
487 2552-05	11						
487 2552-40	11						
487 2559-55	11						
487 2560-55	11						
487 2565-01	19						
487 2566-01	19						
487 2567-01	11						
487 2568-01	39						
487 2569-01	39						
487 2569-01	53						
487 2570-01	23						
487 2573-01	29						
487 2574-01	19						
487 2574-01	23						
487 2574-01	27						
487 2575-05	33						
487 2575-06	33						
487 2575-41	33						
487 2575-63	33						
487 2575-77	33						
487 2576-55	33						
487 2577-02	31						
487 2578-02	31						
487 2583-55	15						
487 2584-55	15						
487 2585-05	15						
487 2585-40	15						
487 2586-05	15						
487 2586-40	15						
487 2830-01	75						
487 2830-01	83						
487 3390-02	9						
487 3390-02	11						
487 7056-53	61						
487 7057-40	17						
487 7057-40	19						
487 7057-40	21						
487 7057-40	23						
487 7057-40	25						
487 7057-40	27						
4870999804	33						
725 2477-51	43						
725 2497-51	39						
728 5289-00	41						
735 3126-00	43						
762 1137-10	63						
762 1137-10	67						
762 1137-10	71						
762 1137-10	75						
762 1137-10	79						
762 1137-10	81						
762 1137-10	83						
762 1191-10	7						
762 1191-10	67						
762 1191-10	71						
762 1191-10	75						
762 1191-10	79						
762 1191-10	81						
762 1191-10	83						

WASCOMAT

461 Doughty Blvd., Inwood, L.I., N.Y. 11096-0338

Telephone: 516-371-4400

Parts and Service FAX: 516-371-4029

Sales and Administration FAX: 516-371-4204