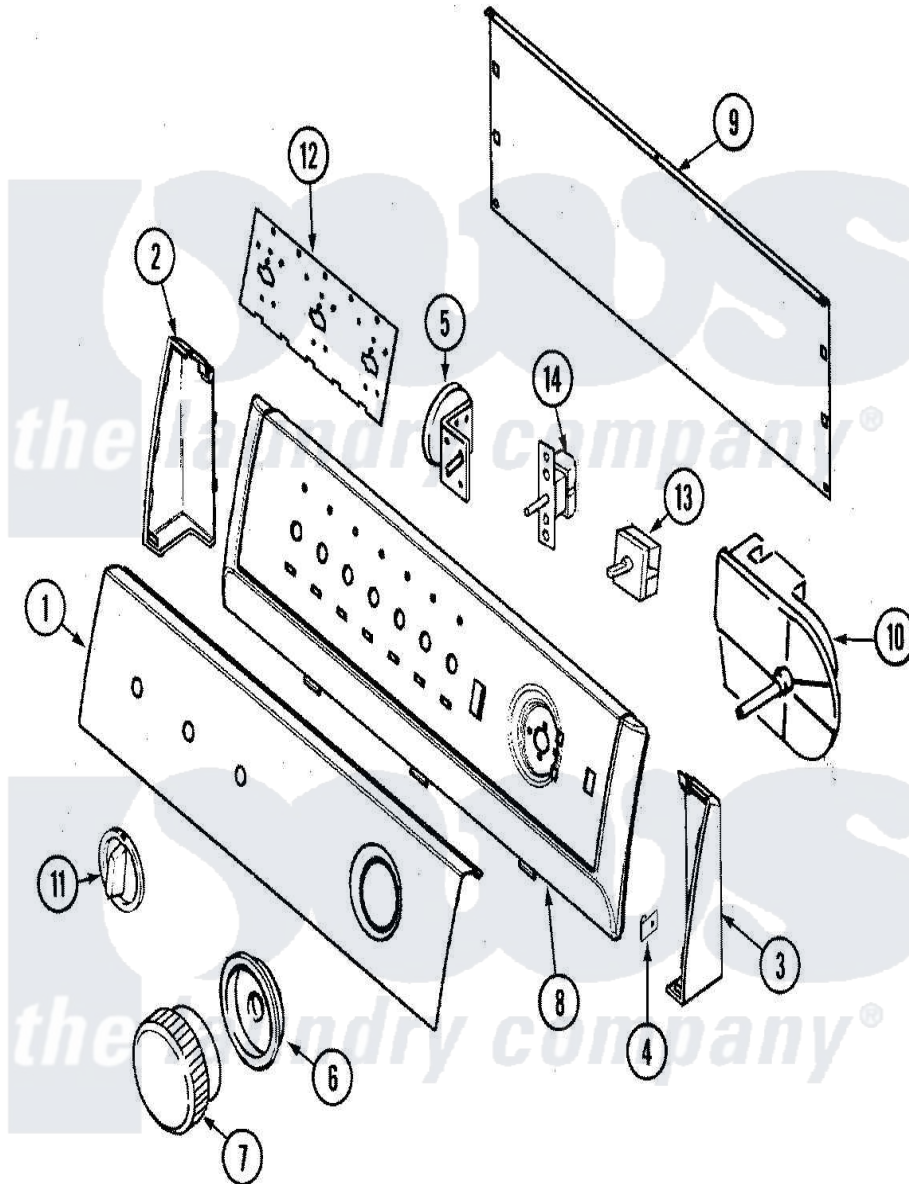


# Admiral AAV2200AWW 03 - CONTROL PANEL



Admiral [Residential Admiral AAV2200AWW Washer Parts](#) Parts Diagram 03 - CONTROL PANEL  
 Click on the part number to view part

| Item | Original Part Number     | Replaced By              | Status | Part Description                        |
|------|--------------------------|--------------------------|--------|---|
| 1    | <a href="#">21001633</a> |                          |        | Panel, Control                          |
| 2    | <a href="#">21001547</a> |                          |        | Endcap, Panel                           |
| "    | 25-3092                  | <a href="#">90767</a>    |        | Screw, 8A X 3/8 HeX Washer Head Tapping |
| 3    | <a href="#">21001546</a> |                          |        | Endcap, Panel                           |
| "    | 25-3092                  | <a href="#">90767</a>    |        | Screw, 8A X 3/8 HeX Washer Head Tapping |
| 4    | <a href="#">25-7851</a>  |                          |        | Speedclip, End Cap To Top               |
| 5    | 21001625                 | <a href="#">21001741</a> |        | Switch, Pressure                        |
| "    | 25-3092                  | <a href="#">90767</a>    |        | Screw, 8A X 3/8 HeX Washer Head Tapping |
| 6    | <a href="#">21001520</a> |                          |        | Skirt, Timer Knob                       |
| 7    | <a href="#">21001526</a> |                          |        | Knob, Timer                             |
| 8    | <a href="#">21001552</a> |                          |        | Frame , Control Panel                   |
| 9    | 25-3092                  | <a href="#">90767</a>    |        | Screw, 8A X 3/8 HeX Washer Head Tapping |
| "    | <a href="#">21001527</a> |                          |        | Shield, Rear                            |
| "    | <a href="#">25-3457</a>  |                          |        | Screw, Sems                             |

|    |                          |                          |   |
|----|--------------------------|--------------------------|---|
| "  | 25-7853                  | <a href="#">25-7933</a>  | Ring, Retaining                         |
| 10 | <a href="#">21001561</a> |                          | Timer                                   |
| "  | 25-3092                  | <a href="#">90767</a>    | Screw, 8A X 3/8 HeX Washer Head Tapping |
| 11 | <a href="#">21001544</a> |                          | Knob, Selector                          |
| 12 | 53-2504                  | <a href="#">31001193</a> | Pad, Shield                             |
| "  | <a href="#">21001603</a> |                          | Shield, Control                         |
| 13 | <a href="#">31001190</a> |                          | Switch, Two Position Rotary             |
| 14 | <a href="#">21001226</a> |                          | Switch, Water Temp. 4 Position          |
| NI | 21001643                 | Not Available            | MANUAL, USE & CARE                      |
| "  | 21001725                 | Not Available            | MANUAL, USE & CARE (SPAN)               |

*the laundry company*<sup>®</sup>

*the laundry company*<sup>®</sup>

*the laundry company*<sup>®</sup>