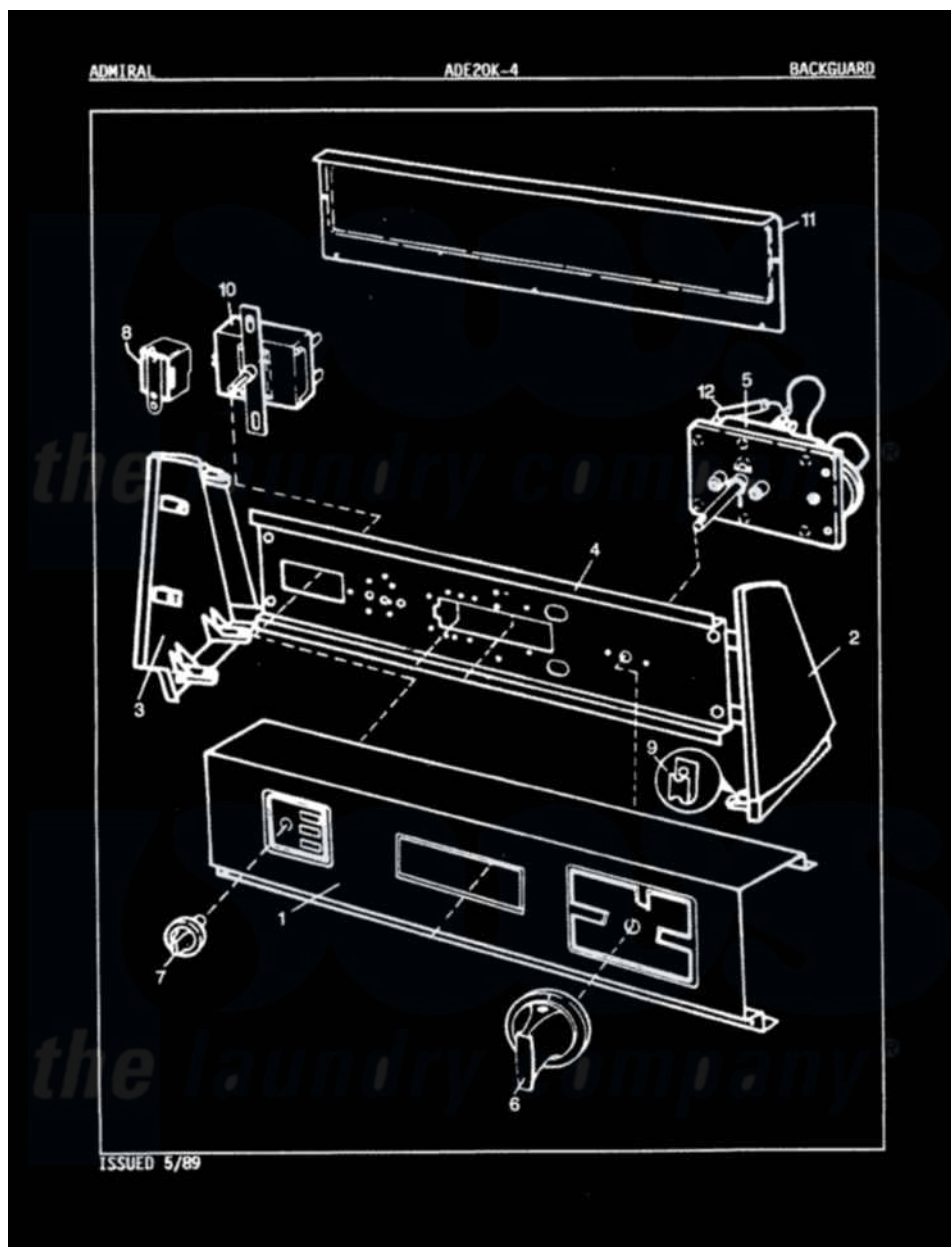


Admiral ADE20K4H 01 - CONTROL PANEL (REV. A)



Admiral Residential Admiral ADE20K4H Dryer Parts Parts Diagram 01 - CONTROL PANEL (REV. A)
 Click on the part number to view part

| Item | Original Part Number | Replaced By | Status | Part Description |
|------|-------------------------|-------------------------|---------------|-----------------------------------------|
| 1 | 25-7702 | | | Speedclip, End Cap To Control Panel |
| " | 25-7649 | 910187 | | Screw |
| " | 53-1280 | | Not Available | CONTROL PANEL |
| 2 | 53-0265 | | | LH Endcap |
| 3 | 25-7760 | | | Screw |
| " | 53-0277 | | Not Available | TRIM, END CAP (RT) |
| " | 53-0278 | | Not Available | TRIM, END CAP (LT) |
| " | 53-0264 | | | RH Endcap |
| 4 | 25-3092 | 90767 | | Screw, 8A X 3/8 HeX Washer Head Tapping |
| " | 25-7702 | | | Speedclip, End Cap To Control Panel |
| " | 53-0323 | | Not Available | CONTROL SHIELD |
| 5 | 25-0088 | 489483 | | Screw 10-32 X 1/2 |
| " | 53-1300 | | Not Available | TIMER |
| " | 63-5685 | 63-5613 | | Timer |

| | | | | |
|----|-------------------------|--------------------------|---------------|-----------------------------------------|
| 6 | 53-1533 | 31001219 | | Knob Ski |
| " | 25-6044 | | | Set Screw |
| 7 | 35-2185 | 21001283 | | Knob, Selector---Piq |
| 8 | 63-6731 | 53-1639 | | Buzzer Assembly |
| " | 25-3092 | 90767 | | Screw, 8A X 3/8 HeX Washer Head Tapping |
| 9 | 25-7702 | | | Speedclip, End Cap To Control Panel |
| 10 | 25-3092 | 90767 | | Screw, 8A X 3/8 HeX Washer Head Tapping |
| " | 53-0346 | 53-1263 | | Rotary Switch |
| 11 | 25-3092 | 90767 | | Screw, 8A X 3/8 HeX Washer Head Tapping |
| " | 25-7435 | 33002917 | | Screw, No.10-16 |
| " | 25-7852 | | | Speedclip, Rr Shld To End Cap |
| " | 25-7851 | | | Speedclip, End Cap To Top |
| " | 34-9487 | | Not Available | PLATE, REINFORCEMENT |
| " | 53-0268 | 21001460 | | Shield, Rear |
| " | 25-7697 | 25-2219 | | Screw |
| 12 | 25-7712 | | Not Available | SCREW |
| " | 33-8541 | | Not Available | SWITCH PAD |
| " | 63-6743 | 31001484 | | Resistor Assembly |
| " | 35-0385 | | | Pushbutton |
| " | 53-1296 | | | Switch |
| " | 33-6621 | | Not Available | BRACKET, SWITCH |

