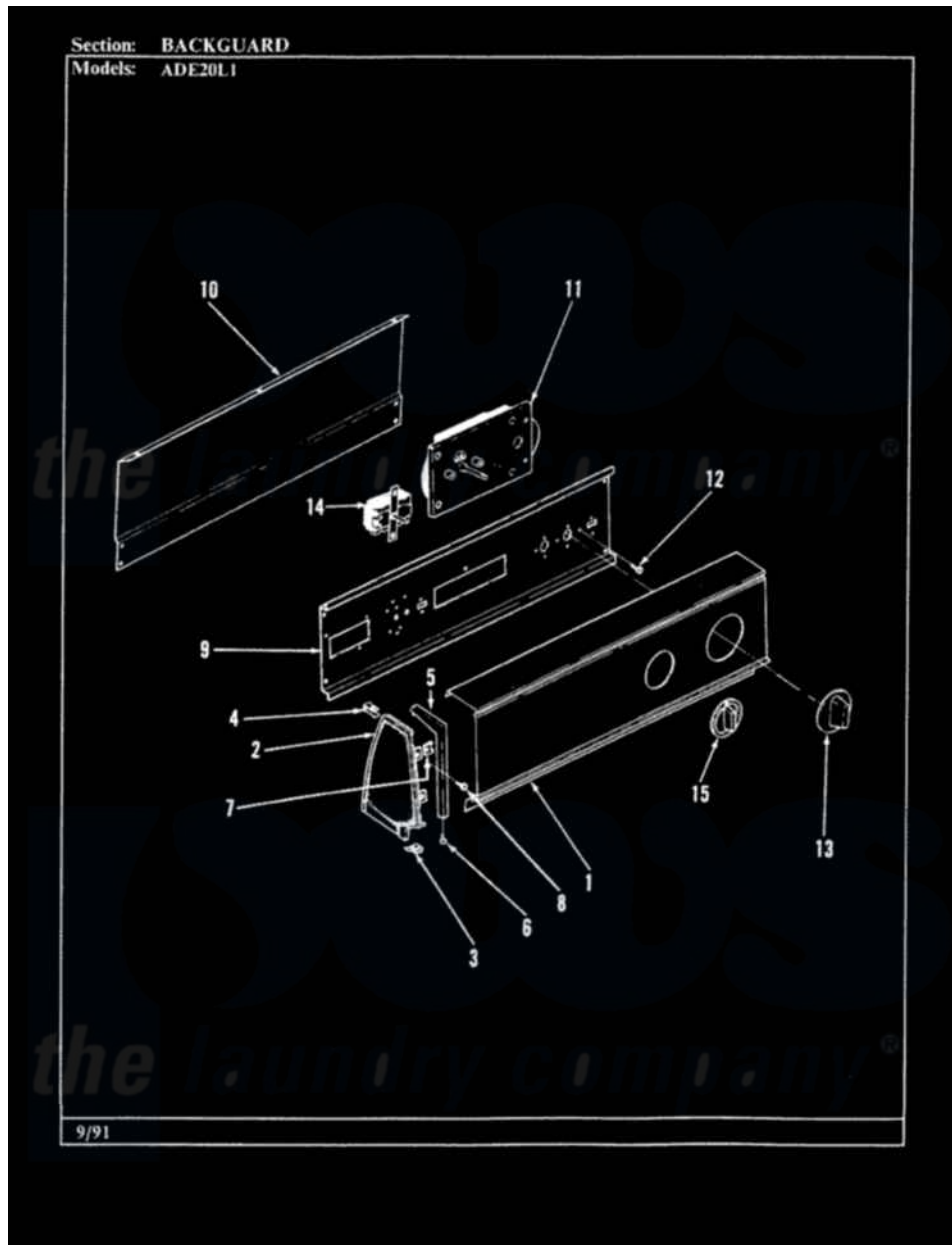


# Admiral ADE20L1A 01 - CONTROL PANEL (REV. A-C)



Admiral Residential Admiral ADE20L1A Dryer Parts Parts Diagram 01 - CONTROL PANEL (REV. A-C)  
 Click on the part number to view part

Item	Original Part Number	Replaced By	Status	Part Description
1	53-1525		Not Available	CONTROL PANEL
2	35-2488	<a href="#">21001452</a>		Cap- End
"	25-7649	<a href="#">910187</a>		Screw
"	<a href="#">25-7702</a>			Speedclip, End Cap To Control Panel
"	35-2487	<a href="#">21001451</a>		Cap- End
3	<a href="#">25-7851</a>			Speedclip, End Cap To Top
"	25-7697	<a href="#">25-2219</a>		Screw
4	25-7435	<a href="#">33002917</a>		Screw, No.10-16
5	53-0277		Not Available	TRIM, END CAP (RT)
"	53-0278		Not Available	TRIM, END CAP (LT)
6	<a href="#">25-7760</a>			Screw
7	<a href="#">25-7702</a>			Speedclip, End Cap To Control Panel
8	25-3092	<a href="#">90767</a>		Screw, 8A X 3/8 HeX Washer Head Tapping
9	<a href="#">53-1676</a>			Shield, Control

10	35-2688	<a href="#">21001460</a>		Shield, Rear
11	53-0635		Not Available	TIMER MOTOR
"	63-6743	<a href="#">31001484</a>		Resistor Assembly
"	<a href="#">53-1803</a>			Timer
"	<a href="#">53-1547</a>			Timer
12	25-0205	<a href="#">216412</a>		Screw, Bracket To Timer
"	25-7435	<a href="#">33002917</a>		Screw, No.10-16
13	53-1533	<a href="#">31001219</a>		Knob Ski
"	25-3092	<a href="#">90767</a>		Screw, 8A X 3/8 HeX Washer Head Tapping
14	<a href="#">53-1639</a>			Buzzer Assembly
"	53-1267	<a href="#">53-0456</a>		Switch, Selector
"	25-3092	<a href="#">90767</a>		Screw, 8A X 3/8 HeX Washer Head Tapping
15	35-2185	<a href="#">21001283</a>		Knob, Selector---Piq
"	53-1446		Not Available	MANUAL, USE & CARE

