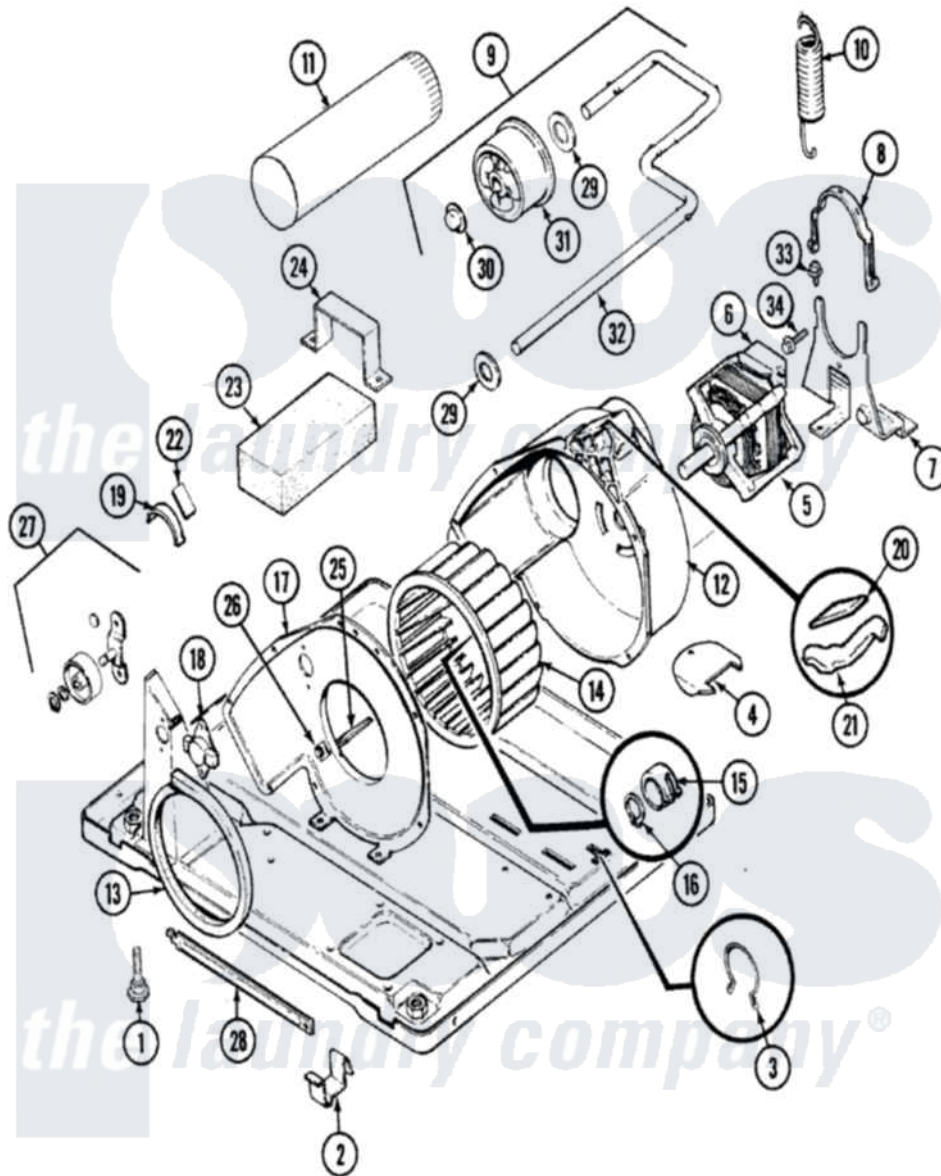


Admiral ADG20K3W 09 - MOTOR & DRIVE (REV. E-G)



Admiral [Residential Admiral ADG20K3W Dryer Parts](#) Parts Diagram 09 - MOTOR & DRIVE (REV. E-G)
 Click on the part number to view part

Item	Original Part Number	Replaced By	Status	Part Description
1	63-5834		Not Available	LEG, LEVELING
2	53-0120			Clip, Front Panel
3	25-7027	16515		Clip
4	53-0153		Not Available	SHIELD, WIRING
"	LA-1004			Motor Mtg. Kit
"	25-7741	W10116760		Screw
5	53-1080	341241		Belt
"	53-2275	W10410996		Motor-Drive
"	53-0189	LA-1004		Motor Mtg. Kit
6	53-0693	53-0332		Motor Switch
7	53-1932	31001570		Bracket, Motor
"	53-0852		Not Available	MOTOR BRACKET
"	25-7811		Not Available	SCREW
8	53-0214	660658		Clamp, Motor Mounting 343481 685441
9	53-2287			Idler Assembly
"	53-0764	53-2366		Idler Arm

10	53-1648		Idler Spring
"	53-2209	31001465	Spring, Idler
11	53-0134		Duct, Exhaust
"	25-2134	W10116760	Screw
12	53-0774	Not Available	BLOWER HOUSING
"	53-1801		Housing, Blower
13	53-0203	12001324	Duct Kit, Collector
14	53-0106		Blower Wheel
15	25-7823	312967	Clamp, Blower Housing
16	25-7855		Ring, Retaining
17	25-7807	33002917	Screw, No.10-16
"	53-1933	Not Available	COVER, BLOWER HOUSING
"	53-1024	Not Available	BLOWER COVER
18	53-1107		Thermostat, Control
"	53-0170	Not Available	THERMOSTAT, LO-LIMIT (120/110)
"	25-2134	W10116760	Screw
19	53-0185	31001470	Glide, Tumbler
"	LA-1006		Glide Kit, Tumbler
20	53-0724	31001356	Pad, Glide
21	53-0183	31001469	Glide, Tumbler
22	53-1684	31001356	Pad, Glide
"	LA-1008		Rr Roller Kit
23	53-0645	Not Available	COUNTERWEIGHT
24	25-7732	681414	Screw, 10AB X 1/2
"	53-0644	Not Available	BRACKET
25	53-1026		Guide, Vane Inlet
26	25-3457		Screw, Sems
27	LA-1007	12002126	Reinforcement Brace/Glide Kit
28	LA-2010	53-1625	Brace, Tumbler Support
29	25-7815		Washer
30	25-7957		Pushnut
31	53-1628	31001344	Pulley, Idler
32	53-2250	53-2287	Idler Assembly
33	25-7699	Not Available	STRAIN RELIEF
34	25-7674		Screw

