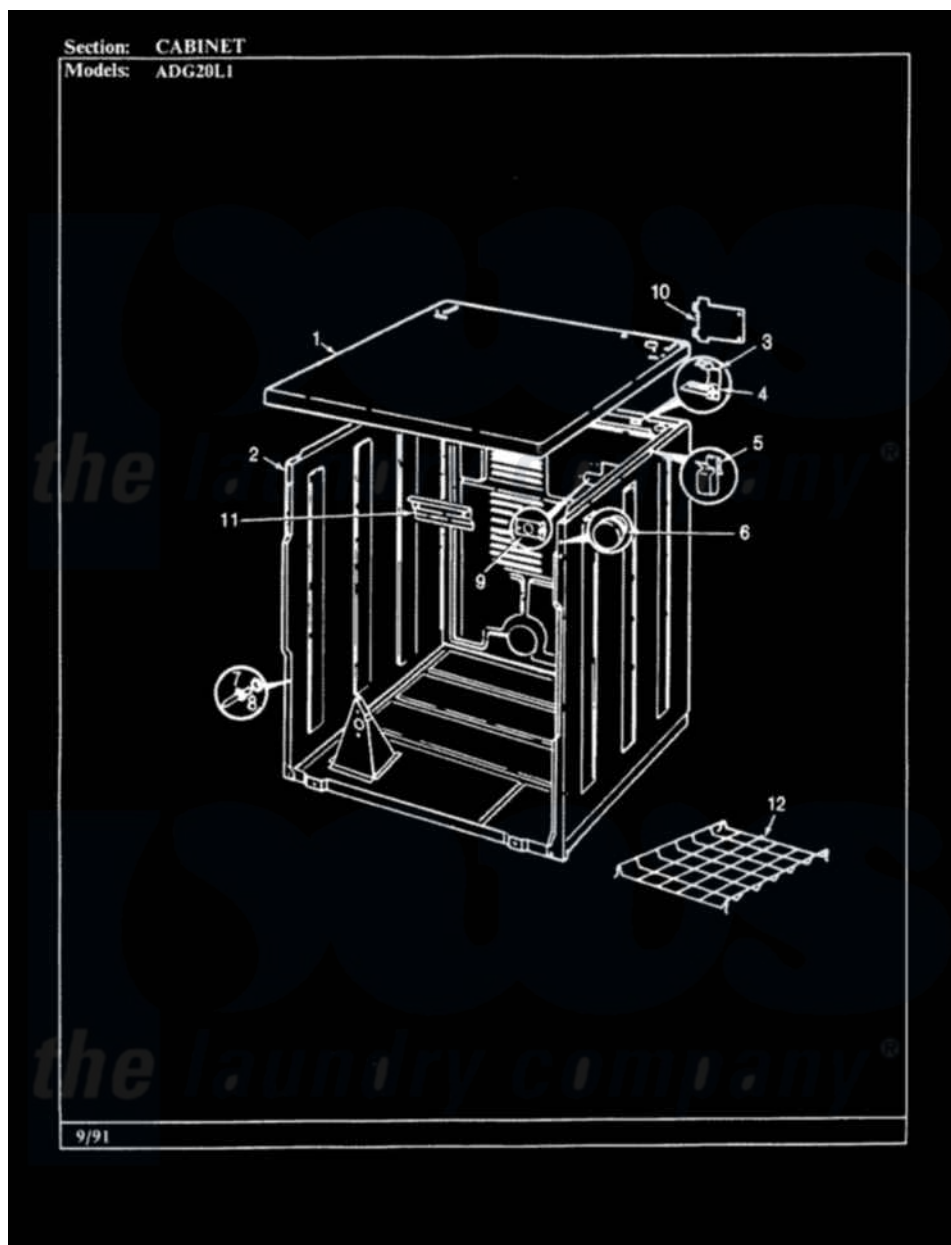


# Admiral ADG20L1W 01 - CABINET (REV. A-C)



Admiral Residential Admiral ADG20L1W Dryer Parts Parts Diagram 01 - CABINET (REV. A-C)  
Click on the part number to view part

| Item | Original Part Number    | Replaced By              | Status        | Part Description                        |
|------|-------------------------|--------------------------|---------------|---|
| 1    | 53-1711                 |                          | Not Available | CABINET TOP (DRYER)                     |
| 2    | 53-0687                 | <a href="#">31001714</a> |               | Cabinet And Base Assembly               |
| 3    | <a href="#">63-5712</a> |                          |               | Hinge, Cabinet Top                      |
| 4    | <a href="#">33-0930</a> |                          |               | Pad, Top Hinge                          |
| "    | 25-3092                 | <a href="#">90767</a>    |               | Screw, 8A X 3/8 HeX Washer Head Tapping |
| 5    | <a href="#">25-3034</a> |                          |               | Clip, Wiring                            |
| 6    | <a href="#">33-2653</a> |                          |               | Bumper, Cabinet                         |
| 7    | 63-6148                 | <a href="#">53-0643</a>  |               | Pin, Locator                            |
| 8    | <a href="#">53-0200</a> |                          |               | Sleeve, Locator Pin                     |
| "    | 25-0224                 | <a href="#">3400029</a>  |               | Nut, Adapter Plate                      |
| 9    | 53-0135                 |                          | Not Available | SUPPORT, POWER CORD                     |
| 10   | 25-7857                 | <a href="#">90767</a>    |               | Screw, 8A X 3/8 HeX Washer Head Tapping |
| "    | <a href="#">53-0284</a> |                          |               | Cover, Terminal                         |
| 11   | <a href="#">25-3457</a> |                          |               | Screw, Sems                             |
| "    | <a href="#">53-0133</a> |                          |               | Shield, Heat                            |

