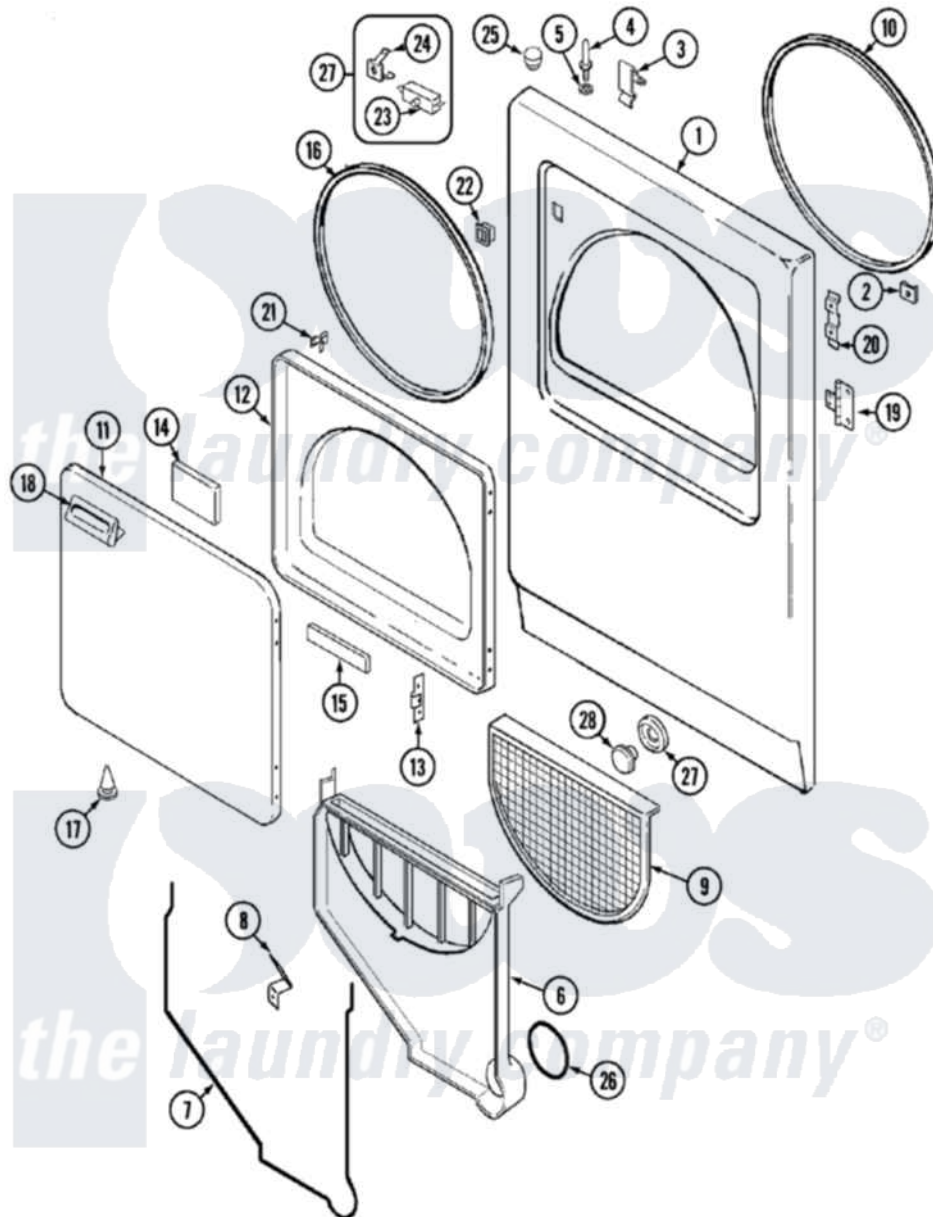


Admiral ADG20N3V 03 - DOOR



Admiral [Residential Admiral ADG20N3V Dryer Parts](#) Parts Diagram 03 - DOOR
 Click on the part number to view part

| Item | Original Part Number | Replaced By | Status | Part Description |
|------|-------------------------|---------------------------|---------------|-------------------------|
| 1 | 53-0727 | 12001190 | | Panel Kit |
| 2 | 25-7820 | 489478 | | Screw, 8 X 1/2 |
| " | 25-7817 | | Not Available | CLIP, U-TYPE |
| 3 | 25-7220 | | | Clip, Cabinet Top |
| 4 | 53-0643 | | | Pin, Locator |
| 5 | 25-0224 | 3400029 | | Nut, Adapter Plate |
| " | 53-0200 | | | Sleeve, Locator Pin |
| 6 | 53-1299 | 12001324 | | Duct Kit, Collector |
| " | 25-7810 | 415013-35 | | Screw |
| 7 | 53-0204 | | | Seal |
| 8 | 53-0123 | | | Clip |
| 9 | 53-0918 | | | Filter, Lint |
| 10 | 53-1756 | 31001747 | | Seal Assembly |
| 11 | 53-0154 | | | Panel, Outer Door |
| " | 25-7770 | 3196169 | | Screw, Element |
| 12 | 53-0912 | | Not Available | PANEL, INNER DOOR (WHT) |

| | | | |
|----|-------------------------|---------------------------|-------------------------------|
| 13 | 53-0119 | | Clip, Hinge |
| 14 | 53-1490 | | Door Pad |
| 15 | 53-1491 | | Door Pad |
| 16 | 53-0648 | 31001529 | Seal, Door |
| 17 | 25-7889 | | Plug Button |
| 18 | 53-0927 | | Handle, Door |
| " | 53-0928 | 53-0927 | Handle, Door |
| " | 25-7810 | 415013-35 | Screw |
| 19 | 53-1492 | | Hinge, Dryer Door |
| " | 25-7809 | | Screw, No.6-20 1/2 Flthd Torx |
| 20 | 53-0121 | Not Available | TWIN NUT |
| 21 | 53-2364 | LA-1003 | Door Catch Kit |
| " | LA-1003 | | Door Catch Kit |
| 22 | 53-0187 | LA-1003 | Door Catch Kit |
| 23 | 53-0148 | | Switch, Door |
| 24 | 63-5990 | 31001319 | Clip, Switch |
| 25 | 33-2653 | | Bumper, Cabinet |
| 26 | 53-0203 | 12001324 | Duct Kit, Collector |
| 27 | LA-1005 | | Switch Kit |
| 28 | 53-0155 | Not Available | PLUG, GAS ACCESS (WHT) |
| NI | 53-0156 | | Button, Gas Access |

