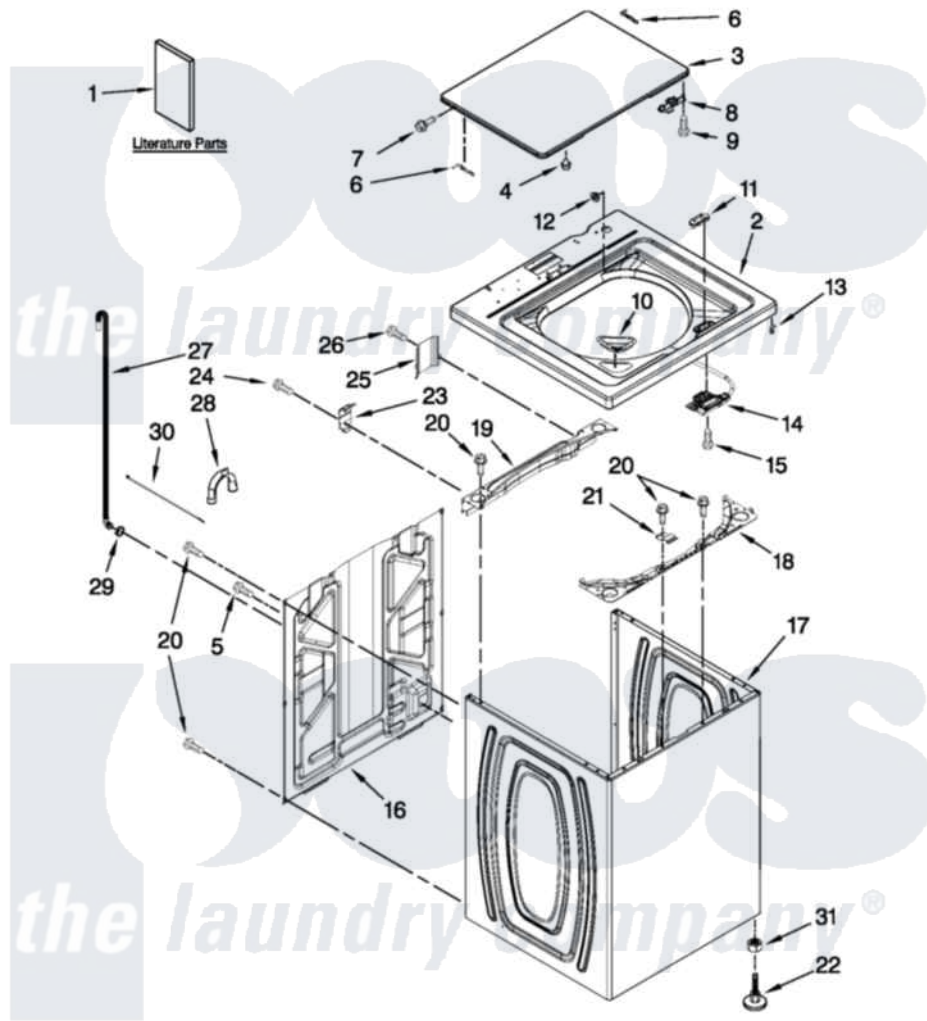


# Admiral ATW4675YQ0 01 - TOP AND CABINET PARTS

**Admiral** TOP AND CABINET PARTS  
 For Model: ATW4675YQ0  
 (White) AUTOMATIC WASHER



FOR ORDERING INFORMATION REFER TO PARTS PRICE LIST

1-12 Litho in U.S.A. (JLP) (psw)

1

Part No. W10483718 Rev. A

Admiral [Residential Admiral ATW4675YQ0 Washer Parts](#) Parts Diagram 01 - TOP AND CABINET PARTS  
 Click on the part number to view part

| Item | Original Part Number      | Replaced By               | Status        | Part Description             |
|------|---------------------------|---------------------------|---------------|------------------------------|
| 1    | <a href="#">W10240509</a> |                           |               | Installation Instructions    |
| "    | W10420470                 |                           | Not Available | USE & CARE GUIDE             |
| "    | W10468340                 |                           | Not Available | TECH SHEET                   |
| "    | W10062983                 |                           | Not Available | ENERGY GUIDE                 |
| 2    | <a href="#">W10251299</a> |                           |               | Top                          |
| 3    | W10251302                 | <a href="#">W10338625</a> |               | Lid                          |
| 4    | <a href="#">9724509</a>   |                           |               | Bumper, Lid                  |
| 5    | <a href="#">9740848</a>   |                           |               | Screw, Mixing Valve Mounting |
| 6    | <a href="#">91770</a>     |                           |               | Hinge, Lid                   |
| 7    | W10119872                 | <a href="#">W10119828</a> |               | Screw, Lid Hinge Mounting    |
| 8    | <a href="#">W10240513</a> |                           |               | Strike, Lid Lock             |
| 9    | <a href="#">W10273971</a> |                           |               | Screw, 6-19 X 1/2            |
| 10   | <a href="#">W10192089</a> |                           |               | Dispenser, Bleach            |
| 11   | <a href="#">W10392041</a> |                           |               | Bezel, Lid Lock              |
| 12   | <a href="#">21258</a>     |                           |               | Bearing, Lid Hinge           |
| 13   | <a href="#">90016</a>     |                           |               | Clip, Pressure Switch Hose   |

|    |                           |                           |                                   |
|----|---------------------------|---------------------------|-----------------------------------|
| 14 | <a href="#">W10238287</a> | <a href="#">W10404050</a> | Latch                             |
| 15 | <a href="#">8281163</a>   |                           | Screw, Dispenser Housing Mounting |
| 16 | <a href="#">W10250884</a> |                           | Panel Rear                        |
| 17 | W10251994                 | <a href="#">W10338650</a> | Cabinet                           |
| 18 | <a href="#">W10215098</a> |                           | Brace, Cabinet Top Front          |
| 19 | <a href="#">W10215099</a> |                           | Brace, Cabinet Top Rear           |
| 20 | 1157158                   | <a href="#">489069</a>    | Xxscrew, 10-12 X 1/2              |
| 21 | <a href="#">W10248088</a> |                           | Lock, Top                         |
| 22 | W10335586                 | <a href="#">W10397767</a> | Foot Assembly, Leveling           |
| 23 | <a href="#">W10215102</a> |                           | Hinge, Top                        |
| 24 | W10142728                 | <a href="#">3370225</a>   | Screw                             |
| 25 | <a href="#">W10215139</a> |                           | Cover, Harness                    |
| 26 | <a href="#">3400076</a>   |                           | Screw, Bracket Mounting           |
| 27 | <a href="#">W10221546</a> |                           | Hose, Outer Drain Assembly        |
| 28 | <a href="#">W10280024</a> |                           | U-Bend, Drain Hose                |
| 29 | <a href="#">356138</a>    |                           | Clamp, Hose                       |
| 30 | <a href="#">W10339879</a> |                           | Tie, Cable                        |
| 31 | <a href="#">3359452</a>   |                           | Nut, Lock                         |

