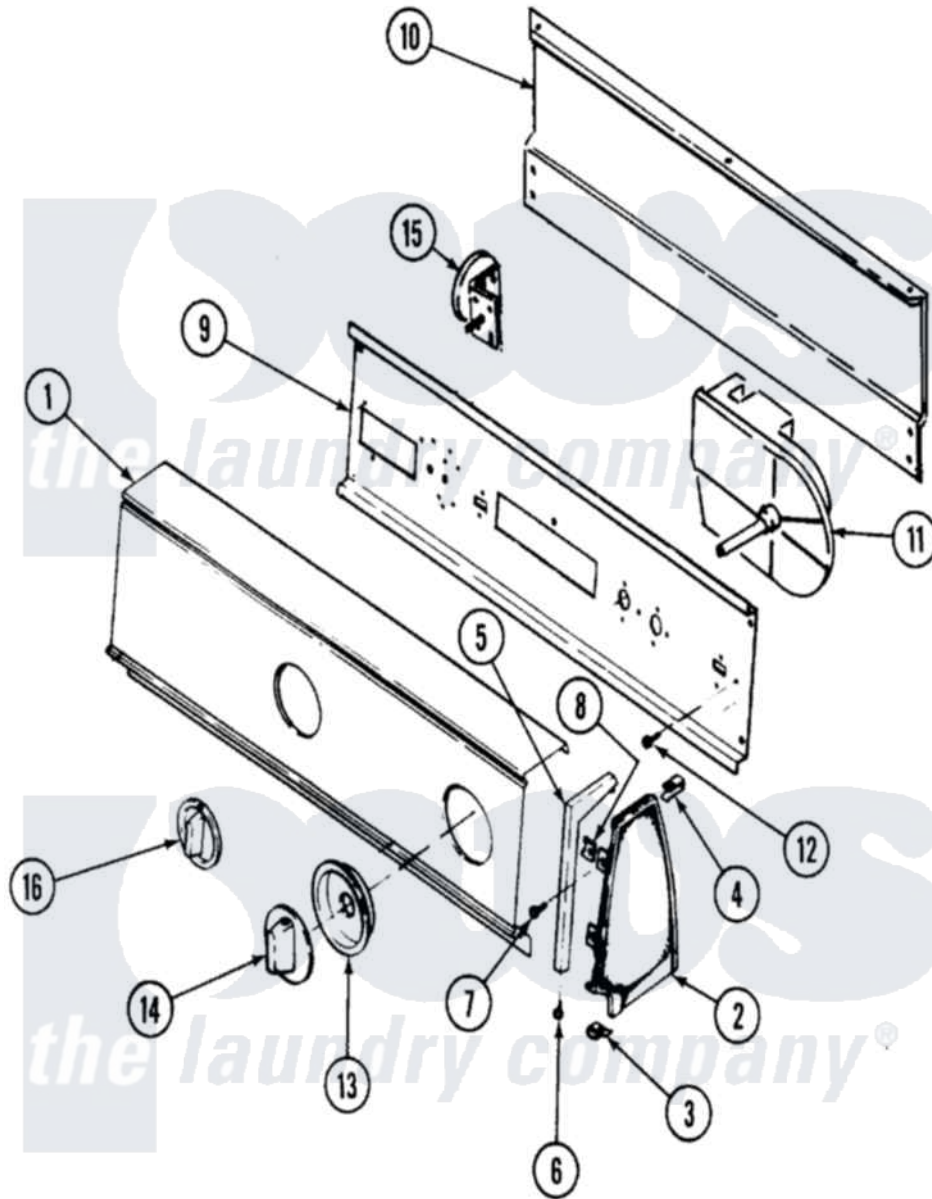


# Admiral AW20M1W 06 - CONTROL PANEL (REV. G-L)



Admiral [Residential Admiral AW20M1W Washer Parts](#) Parts Diagram 06 - CONTROL PANEL (REV. G-L)  
 Click on the part number to view part

| Item | Original Part Number    | Replaced By              | Status        | Part Description                        |
|------|-------------------------|--------------------------|---------------|---|
| 1    | <a href="#">25-7793</a> |                          |               | Screw                                   |
| "    | <a href="#">25-7702</a> |                          |               | Speedclip, End Cap To Control Panel     |
| "    | 35-2694                 |                          | Not Available | CONTROL PANEL                           |
| 2    | 35-2487                 | <a href="#">21001451</a> |               | Cap- End                                |
| "    | 35-2488                 | <a href="#">21001452</a> |               | Cap- End                                |
| 3    | <a href="#">25-7851</a> |                          |               | Speedclip, End Cap To Top               |
| "    | 25-7697                 | <a href="#">25-2219</a>  |               | Screw                                   |
| "    | 34-9487                 |                          | Not Available | PLATE, REINFORCEMENT                    |
| 4    | <a href="#">25-7852</a> |                          |               | Speedclip, Rr Shld To End Cap           |
| "    | 25-7435                 | <a href="#">33002917</a> |               | Screw, No.10-16                         |
| 5    | 53-0279                 |                          | Not Available | TRIM, END CAP (RT)                      |
| "    | 53-0280                 |                          | Not Available | TRIM, END CAP (LT)                      |
| 6    | <a href="#">25-7760</a> |                          |               | Screw                                   |
| 7    | 25-3092                 | <a href="#">90767</a>    |               | Screw, 8A X 3/8 HeX Washer Head Tapping |

|    |                         |                          |   |
|----|-------------------------|--------------------------|---|
| 8  | <a href="#">25-7702</a> |                          | Speedclip, End Cap To Control Panel     |
| 9  | <a href="#">53-1676</a> |                          | Shield, Control                         |
| 10 | <a href="#">25-3457</a> |                          | Screw, Sems                             |
| "  | 25-3092                 | <a href="#">90767</a>    | Screw, 8A X 3/8 HeX Washer Head Tapping |
| "  | 25-7853                 | <a href="#">25-7933</a>  | Ring, Retaining                         |
| "  | 35-2688                 | <a href="#">21001460</a> | Shield, Rear                            |
| 11 | 35-2208                 | Not Available            | TIMER                                   |
| 12 | 25-0205                 | <a href="#">216412</a>   | Screw, Bracket To Timer                 |
| 13 | 35-2254                 | <a href="#">12500058</a> | Knob Ski                                |
| 14 | 35-2187                 | <a href="#">12500058</a> | Knob Ski                                |
| 15 | 25-3092                 | <a href="#">90767</a>    | Screw, 8A X 3/8 HeX Washer Head Tapping |
| "  | 35-3283                 | <a href="#">21001554</a> | Switch, Water Level                     |
| "  | 35-2145                 | <a href="#">21001554</a> | Switch, Water Level                     |
| 16 | 35-2185                 | <a href="#">21001283</a> | Knob, Selector---Piq                    |
| NI | 35-2703                 | Not Available            | MANUAL, U&C INSERT                      |

