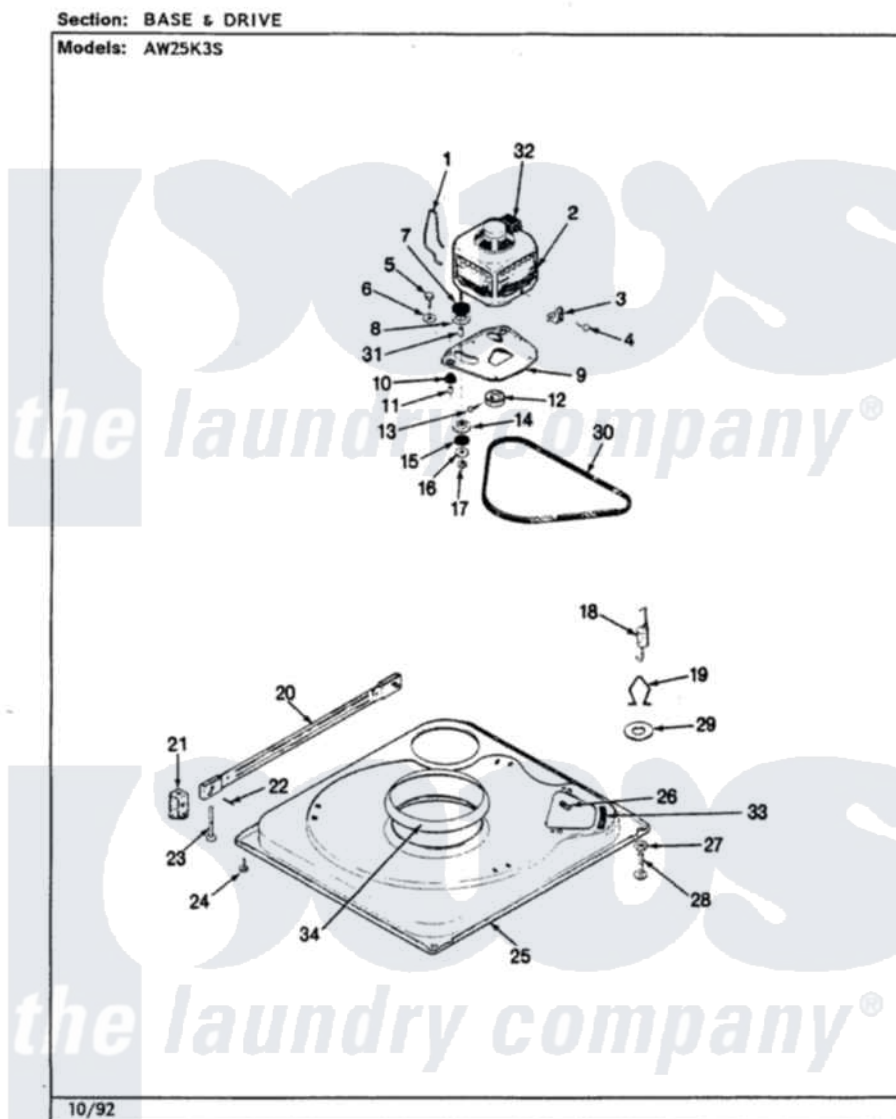


# Admiral AW25K3HS 02 - BASE & DRIVE (REV. A-E)



Admiral Residential Admiral AW25K3HS Washer Parts Parts Diagram 02 - BASE & DRIVE (REV. A-E)  
Click on the part number to view part

Item	Original Part Number	Replaced By	Status	Part Description
1	<a href="#">35-0235</a>			Spring, Motor Pivot
2	<a href="#">LA-2003</a>			Motor Replacement Kit
"	35-2215	<a href="#">LA-2003</a>		Motor Replacement Kit
3	<a href="#">33-9945</a>			Slide, Foot
4	25-7418	<a href="#">33001178</a>		Back, Tumbler
5	25-7833	<a href="#">21001977</a>		Screw
6	<a href="#">25-7834</a>			Washer, Motor/Base Screw
7	<a href="#">33-9946</a>			Isolator, Motor
8	33-9944	<a href="#">35-3570</a>		Washer, Motor Pivot
9	35-2810	<a href="#">21001783</a>		Plate And Screw Assembly
10	33-9941	<a href="#">35-3646</a>		Isolator, Motor Plate
11	<a href="#">25-7831</a>			Spacer, Mounting
12	33-1171	<a href="#">21001833</a>		Pulley, Motor
13	<a href="#">25-7117</a>			Set Screw
14	33-9943	<a href="#">35-3571</a>		Slide, Motor Pivot
15	<a href="#">33-9967</a>			Washer, Motor Isolator

16	<a href="#">25-7047</a>		Washer, Flat
17	25-7325	<a href="#">Y707702</a>	Locknut
18	35-2681		Not Available
"	<a href="#">35-3658</a>		SPRING, SUSPENSION
19	<a href="#">35-2682</a>		Spring, Suspension
20	35-2049	<a href="#">21001881</a>	Hook Suspension Spring
21	<a href="#">35-2046</a>		Bar, Stabilizer
22	<a href="#">35-2052</a>		Bracket, Stabilizer
23	35-2050	<a href="#">22004469</a>	Pin, Stabilizer
24	35-3020	<a href="#">22004469</a>	Leg And Foot Self Stabalizing
25	35-2984		Not Available
26	25-7838	<a href="#">25-7845</a>	BASE
27	<a href="#">25-7915</a>		Speednut, Motor
28	35-0772	<a href="#">25001119</a>	Hex Nut
"	35-0837	<a href="#">25001119</a>	Foot And Pad Assembly
29	<a href="#">Y25-7951</a>		Foot And Pad Assembly
30	<a href="#">35-2279</a>		Washer, Suspension Hook
31	<a href="#">25-7830</a>		Belt, Drive
32	<a href="#">33-9765</a>		Spacer
33	<a href="#">35-2065</a>		Switch, Motor
34	35-2357	<a href="#">21002026</a>	Pad, Motor Plate
			Snubber

