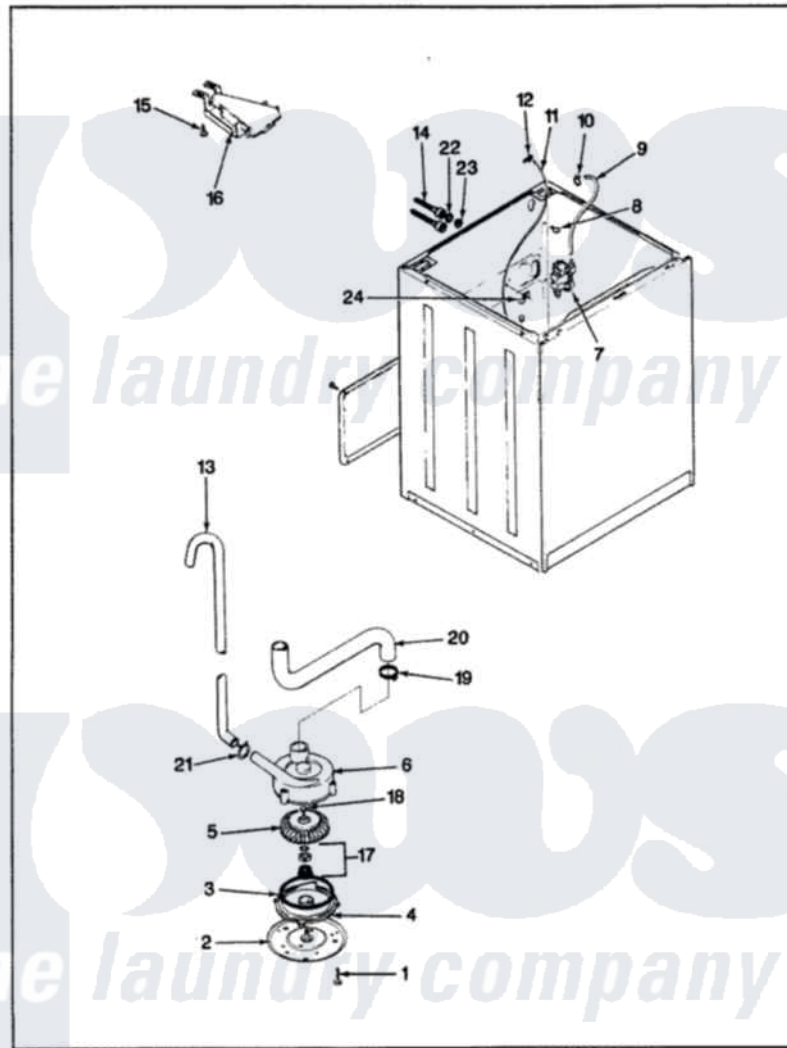


# Admiral AW25K3W 11 - WATER CARRYING & PUMP ASSY. (REV. A-D)

ADMIRAL AW25K3 WATER CARRYING & PUMP ASSEMBLY



ISSUED 10/89

Admiral Residential Admiral AW25K3W Washer Parts Diagram 11 - WATER CARRYING & PUMP ASSY. (REV. A-D)

[Click on the part number to view part](#)

| Item | Original Part Number    | Replaced By              | Status        | Part Description         |
|------|-------------------------|--------------------------|---------------|--------------------------|
| 1    | 25-7405                 | <a href="#">3196164</a>  |               | Screw                    |
| 2    | 33-6035                 |                          | Not Available | PLATE & PULLEY ASSY.     |
| 3    | <a href="#">33-6032</a> |                          |               | Gasket                   |
| 4    | <a href="#">35-2058</a> |                          |               | Base, Pump               |
| 5    | 35-2057                 | <a href="#">35-6465</a>  |               | Pump Assem               |
| 6    | 35-2099                 | <a href="#">35-6465</a>  |               | Pump Assem               |
| "    | 35-2056                 |                          | Not Available | HOUSING, PUMP            |
| 7    | <a href="#">25-7220</a> |                          |               | Clip, Cabinet Top        |
| "    | <a href="#">39-1482</a> |                          |               | Mixing Valve             |
| "    | <a href="#">35-2375</a> |                          |               | Valve, Water Mixing-230V |
| 8    | 25-7867                 | <a href="#">596669</a>   |               | Clamp, Manifold          |
| 9    | 35-0541                 |                          | Not Available | WATR INLET HOSE          |
| "    | 35-2378                 | <a href="#">12002749</a> |               | Hose, Flume Kit          |
| 10   | 25-7866                 | <a href="#">489503</a>   |               | Clamp                    |
| "    | 25-7867                 | <a href="#">596669</a>   |               | Clamp, Manifold          |
|      |                         |                          |               | MAX. PRESSURE SWITCH     |

|    |                         |                           |               |   |
|----|-------------------------|---------------------------|---------------|---|
| 11 | 35-2261                 |                           | Not Available | FAD, PRESSURE SWITCH HOSE               |
| "  | 35-2322                 | <a href="#">21001748</a>  |               | Hose, Pressure Switch                   |
| 12 | <a href="#">33-6099</a> |                           |               | Clamp                                   |
| 13 | 33-9436                 | <a href="#">211704</a>    |               | Hose, Drain                             |
| 14 | 33-7046                 | <a href="#">89503</a>     |               | Hose-Inlet                              |
| "  | 35-0873                 | <a href="#">76313</a>     |               | Hosefill                                |
| 15 | 25-3092                 | <a href="#">90767</a>     |               | Screw, 8A X 3/8 HeX Washer Head Tapping |
| 16 | 35-2051                 | <a href="#">21001760</a>  |               | Flume Assembly / Water Diverter         |
| 17 | <a href="#">35-0707</a> |                           |               | Seal, Seat And "O" Ring                 |
| 18 | 25-7894                 | <a href="#">W10001180</a> |               | Screw                                   |
| 19 | 25-6099                 | <a href="#">33-6099</a>   |               | Clamp                                   |
| 20 | 35-2131                 |                           | Not Available | HOSE, SUMP TO PUMP                      |
| 21 | 25-7796                 | <a href="#">596669</a>    |               | Clamp, Manifold                         |
| 22 | <a href="#">25-7048</a> |                           |               | Washer                                  |
| 23 | 33-7313                 | <a href="#">33-4264N</a>  |               | Strainer And Washer Kit                 |
| 24 | <a href="#">33-6099</a> |                           |               | Clamp                                   |

