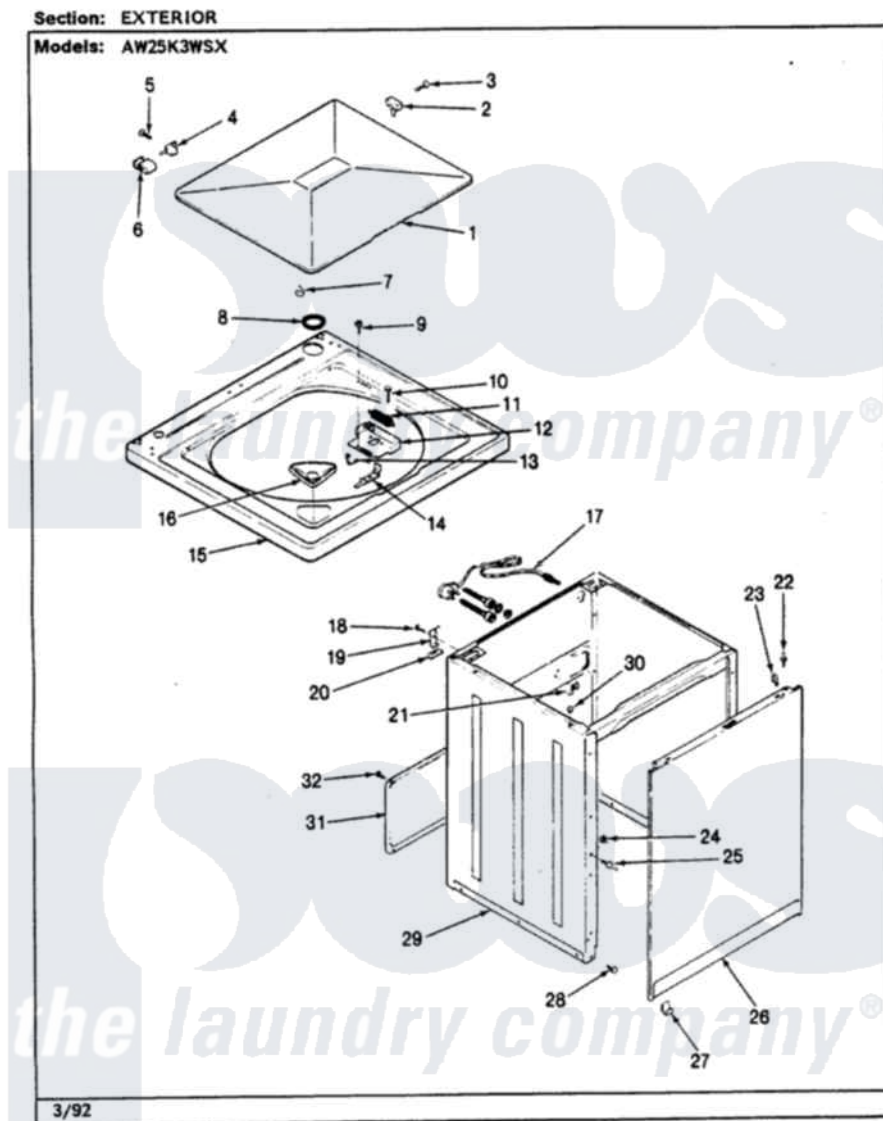


# Admiral AW25K3WSX 03 - EXTERIOR



Admiral [Residential Admiral AW25K3WSX Washer Parts](#) Parts Diagram 03 - EXTERIOR  
Click on the part number to view part

| Item | Original Part Number    | Replaced By                 | Status | Part Description         |
|------|-------------------------|-----------------------------|--------|--------------------------|
| 1    | <a href="#">35-2026</a> |                             |        | Lid                      |
| 2    | <a href="#">25-7436</a> |                             |        | Nylite Washer            |
| "    | <a href="#">43-0057</a> |                             |        | Actuator, Door Switch    |
| 3    | <a href="#">25-7438</a> |                             |        | Screw                    |
| 4    | 25-7086                 | <a href="#">Y0308025</a>    |        | Washer, Stainless Steel  |
| "    | <a href="#">35-2045</a> |                             |        | Pin, Hinge               |
| 5    | <a href="#">25-7893</a> |                             |        | Screw                    |
| 6    | <a href="#">35-2044</a> |                             |        | Hinge, Lid               |
| 7    | <a href="#">35-0581</a> |                             |        | Bumper, Door             |
| 8    | <a href="#">35-2063</a> |                             |        | Bushing, Insulator       |
| 9    | 25-7463                 | <a href="#">7101P012-60</a> |        | Screw                    |
| 10   | 25-7437                 | <a href="#">40040701</a>    |        | Screw, Tapping No.6b-20  |
| 11   | 35-2814                 | <a href="#">12001187</a>    |        | Kit, Lid Switch Assembly |
| 12   | 35-2795                 | <a href="#">12001187</a>    |        | Kit, Lid Switch Assembly |
| 13   | <a href="#">25-7878</a> |                             |        | Clip                     |
| 14   | 35-2805                 | <a href="#">12001187</a>    |        | Kit, Lid Switch Assembly |

|    |                         |                          |                    |
|----|-------------------------|--------------------------|--------------------|
| 15 | <a href="#">35-2739</a> |                          | Top, Cabinet       |
| 16 | 35-2731                 | <a href="#">21001167</a> | Dispenser, Bleach  |
| 17 | 35-0680                 | Not Available            | CORD, POWER        |
| 18 | <a href="#">25-7893</a> |                          | Screw              |
| 19 | 33-7450                 | <a href="#">35-2846</a>  | Hinge, Cabinet Top |
| 20 | <a href="#">33-0930</a> |                          | Pad, Top Hinge     |
| 21 | <a href="#">33-6099</a> |                          | Clamp              |
| 22 | <a href="#">53-0643</a> |                          | Pin, Locator       |
| 23 | <a href="#">34-9701</a> |                          | Guide, Cabinet     |
| 24 | 25-0224                 | <a href="#">3400029</a>  | Nut, Adapter Plate |
| 25 | <a href="#">53-0643</a> |                          | Pin, Locator       |
| 26 | <a href="#">35-2084</a> |                          | Panel, Front       |
| 27 | <a href="#">53-0120</a> |                          | Clip, Front Panel  |
| 28 | <a href="#">33-2653</a> |                          | Bumper, Cabinet    |
| 29 | 35-2106                 | <a href="#">21001871</a> | Cabinet            |
| 30 | <a href="#">33-2653</a> |                          | Bumper, Cabinet    |
| 31 | 35-2108                 | <a href="#">21001871</a> | Cabinet            |
| 32 | 25-7733                 | <a href="#">681414</a>   | Screw, 10AB X 1/2  |

