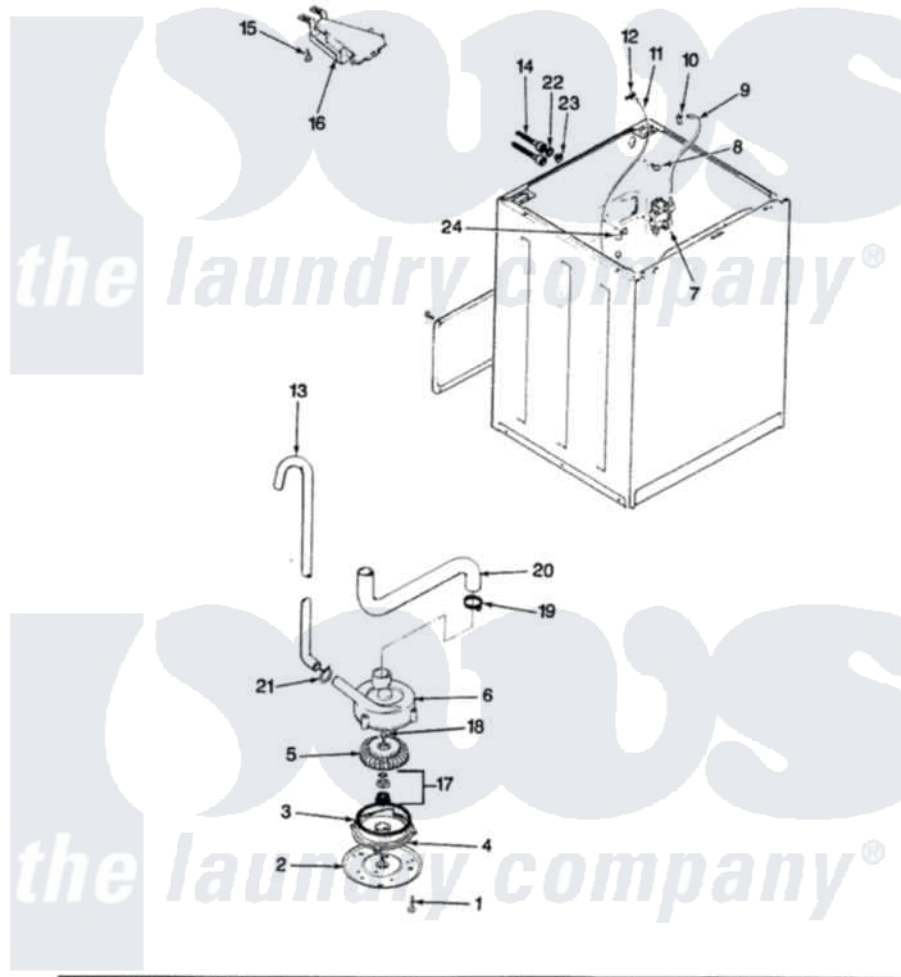


# Admiral AW26K3W 12 - WATER CARRYING & PUMP ASSY. (REV. E-H)

SECTION: WATER CARRYING & PUMP ASSEMBLY  
 MODEL: AW26K3



Issue Date: 11/90

Admiral Residential Admiral AW26K3W Washer Parts Diagram 12 - WATER CARRYING & PUMP ASSY. (REV. E-H)

[Click on the part number to view part](#)

Item	Original Part Number	Replaced By	Status	Part Description
1	25-7405	<a href="#">3196164</a>		Screw
2	33-6035		Not Available	PLATE & PULLEY ASSY.
3	<a href="#">33-6032</a>			Gasket
4	<a href="#">35-2058</a>			Base, Pump
5	35-2057	<a href="#">35-6465</a>		Pump Assem
6	35-2099	<a href="#">35-6465</a>		Pump Assem
"	35-2056		Not Available	HOUSING, PUMP
7	<a href="#">39-1482</a>			Mixing Valve
"	<a href="#">25-7220</a>			Clip, Cabinet Top
8	25-7867	<a href="#">596669</a>		Clamp, Manifold
9	35-0541		Not Available	WATR INLET HOSE
10	25-7866	<a href="#">489503</a>		Clamp
11	35-2322	<a href="#">21001748</a>		Hose, Pressure Switch
"	35-2261		Not Available	PAD, PRESSURE SWITCH HOSE
12	<a href="#">33-6099</a>			Clamp

13	33-9436	<a href="#">211704</a>	Hose, Drain
14	33-7046	<a href="#">89503</a>	Hose-Inlet
"	35-0873	<a href="#">76313</a>	Hosefill
15	25-3092	<a href="#">90767</a>	Screw, 8A X 3/8 HeX Washer Head Tapping
16	35-2051	<a href="#">21001760</a>	Flume Assembly / Water Diverter
17	<a href="#">35-0707</a>		Seal, Seat And "O" Ring
18	25-7894	<a href="#">W10001180</a>	Screw
19	25-6099	<a href="#">33-6099</a>	Clamp
20	35-2131	Not Available	HOSE, SUMP TO PUMP
21	25-7796	<a href="#">596669</a>	Clamp, Manifold
22	<a href="#">25-7048</a>		Washer
23	33-7313	<a href="#">33-4264N</a>	Strainer And Washer Kit
24	<a href="#">33-6099</a>		Clamp

