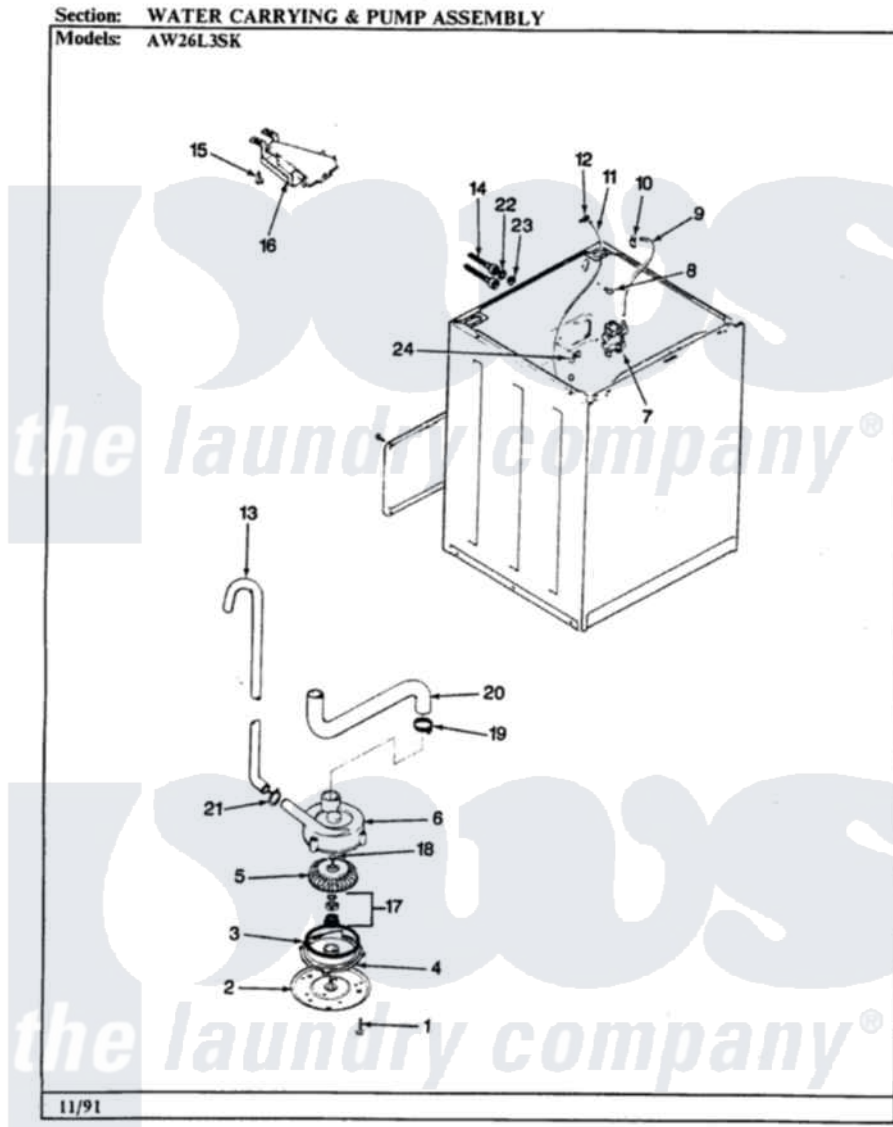


Admiral AW26L3WSK 06 - WATER CARRYING & PUMP ASSY.



Admiral Residential Admiral AW26L3WSK Washer Parts Parts Diagram 06 - WATER CARRYING & PUMP ASSY.
Click on the part number to view part

| Item | Original Part Number | Replaced By | Status | Part Description |
|------|-------------------------|--------------------------|---------------|---------------------------|
| 1 | 25-7405 | 3196164 | | Screw |
| 2 | 33-6035 | | Not Available | PLATE & PULLEY ASSY. |
| 3 | 33-6032 | | | Gasket |
| 4 | 35-2058 | | | Base, Pump |
| 5 | 35-2057 | 35-6465 | | Pump Assem |
| 6 | 35-2056 | | Not Available | HOUSING, PUMP |
| " | 35-2099 | 35-6465 | | Pump Assem |
| 7 | 35-2375 | | | Valve, Water Mixing-230V |
| " | 25-7220 | | | Clip, Cabinet Top |
| 8 | 25-7867 | 596669 | | Clamp, Manifold |
| 9 | 35-2378 | 12002749 | | Hose, Flume Kit |
| 10 | 25-7867 | 596669 | | Clamp, Manifold |
| 11 | 35-2261 | | Not Available | PAD, PRESSURE SWITCH HOSE |
| " | 35-2322 | 21001748 | | Hose, Pressure Switch |
| 12 | 33-6099 | | | Clamp |
| 13 | 35-2896 | 211704 | | Hose, Drain |

| | | | |
|----|-------------------------|---------------------------|---|
| 14 | 35-0873 | 76313 | Hosefill |
| " | 35-2378 | 12002749 | Hose, Flume Kit |
| 15 | 25-3092 | 90767 | Screw, 8A X 3/8 HeX Washer Head Tapping |
| 16 | 35-2051 | 21001760 | Flume Assembly / Water Diverter |
| 17 | 35-0707 | | Seal, Seat And "O" Ring |
| 18 | 25-7894 | W10001180 | Screw |
| 19 | 25-6069 | Not Available | CORBIN CLAMP |
| 20 | 35-2982 | | Hose Tub To Pump |
| 21 | 25-7080 | 285655 | Clamp, Hose |
| 22 | 25-7048 | | Washer |
| 23 | 33-7313 | 33-4264N | Strainer And Washer Kit |
| 24 | 25-7796 | 596669 | Clamp, Manifold |

