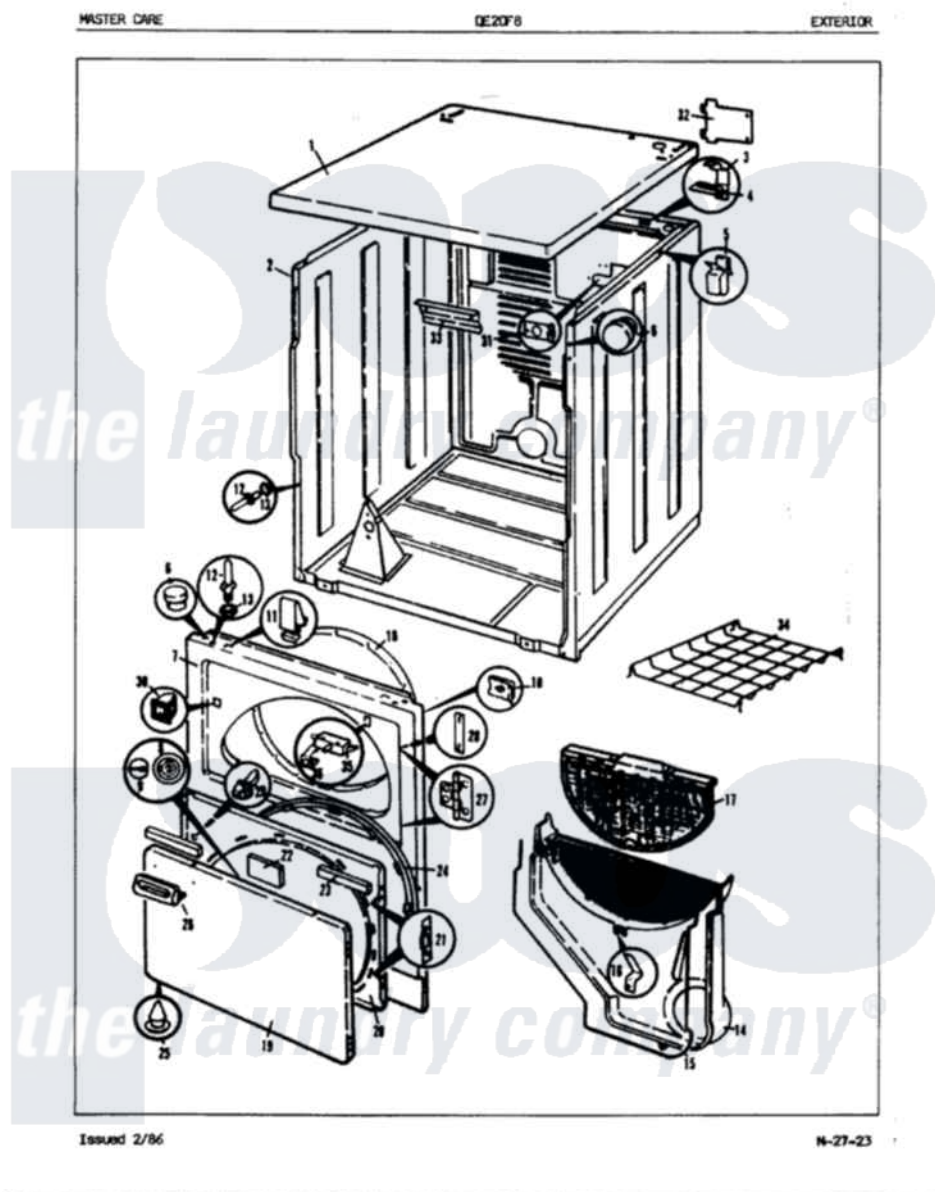


# Admiral DE20F8AM 05 - EXTERIOR (REV. A-H)



Admiral [Residential Admiral DE20F8AM Dryer Parts](#) Parts Diagram 05 - EXTERIOR (REV. A-H)  
 Click on the part number to view part

Item	Original Part Number	Replaced By	Status	Part Description
1	53-0124-24	<a href="#">53-2435-24</a>		Top, Cabinet
2	53-0667-24	<a href="#">31001715</a>		Cabinet And Base Assembly
3	<a href="#">63-5712</a>			Hinge, Cabinet Top
4	25-3092	<a href="#">90767</a>		Screw, 8A X 3/8 HeX Washer Head Tapping
"	<a href="#">33-0930</a>			Pad, Top Hinge
5	<a href="#">25-3034</a>			Clip, Wiring
6	<a href="#">33-2653</a>			Bumper, Cabinet
7	53-0126-24		Not Available	FRONT PANEL
8	W10124350		Not Available	NOT REQUIRED PART OR SEE NOTE
9	W10124350		Not Available	NOT REQUIRED PART OR SEE NOTE
10	25-7820	<a href="#">489478</a>		Screw, 8 X 1/2
"	25-7817		Not Available	CLIP, U-TYPE
11	<a href="#">25-7220</a>			Clip, Cabinet Top
12	63-6148	<a href="#">53-0643</a>		Pin, Locator

13	25-0224	<a href="#">3400029</a>	Nut, Adapter Plate
"	<a href="#">53-0200</a>		Sleeve, Locator Pin
14	53-0917	<a href="#">12001324</a>	Duct Kit, Collector
"	25-7810	<a href="#">415013-35</a>	Screw
15	<a href="#">53-0204</a>		Seal
16	<a href="#">53-0123</a>		Clip
17	<a href="#">53-0701</a>		Lint Screen
"	<a href="#">53-0918</a>		Filter, Lint
18	53-0282	<a href="#">31001637</a>	Seal Assembly, Cylinder Front
19	<a href="#">53-0154-24</a>		Panel, Outer Door
20	53-0740	Not Available	INNER DOOR
"	53-0104	<a href="#">LA-1024</a>	Inner Door Kit
21	<a href="#">53-0119</a>		Clip, Hinge
22	53-0251	<a href="#">53-1490</a>	Door Pad
23	53-0252	<a href="#">53-1491</a>	Door Pad
24	25-7770	<a href="#">3196169</a>	Screw, Element
"	53-0648	<a href="#">31001529</a>	Seal, Door
25	25-3534	<a href="#">25-7889</a>	Plug Button
26	25-7810	<a href="#">415013-35</a>	Screw
"	53-0116	<a href="#">53-0927</a>	Handle, Door
27	53-0122	<a href="#">53-1492</a>	Hinge, Dryer Door
28	<a href="#">25-7809</a>		Screw, No.6-20 1/2 Flthd Torx
"	<a href="#">LA-1003</a>		Door Catch Kit
"	53-0121	Not Available	TWIN NUT
29	73-0033	<a href="#">LA-1003</a>	Door Catch Kit
30	53-0882	<a href="#">LA-1003</a>	Door Catch Kit
31	53-0135	Not Available	SUPPORT, POWER CORD
"	25-7828	<a href="#">489483</a>	Screw 10-32 X 1/2
32	W10124350	Not Available	NOT REQUIRED PART OR SEE NOTE SCREW- PURCHASED LOCALLY
"	<a href="#">53-0136</a>		Cover, Supply Cord
33	<a href="#">25-3457</a>		Screw, Sems
"	<a href="#">53-0133</a>		Shield, Heat
34	<a href="#">LA-1005</a>		Switch Kit
"	53-0772	<a href="#">21001495</a>	Rack, Drying
35	<a href="#">53-0148</a>		Switch, Door
36	63-5990	<a href="#">31001319</a>	Clip, Switch

