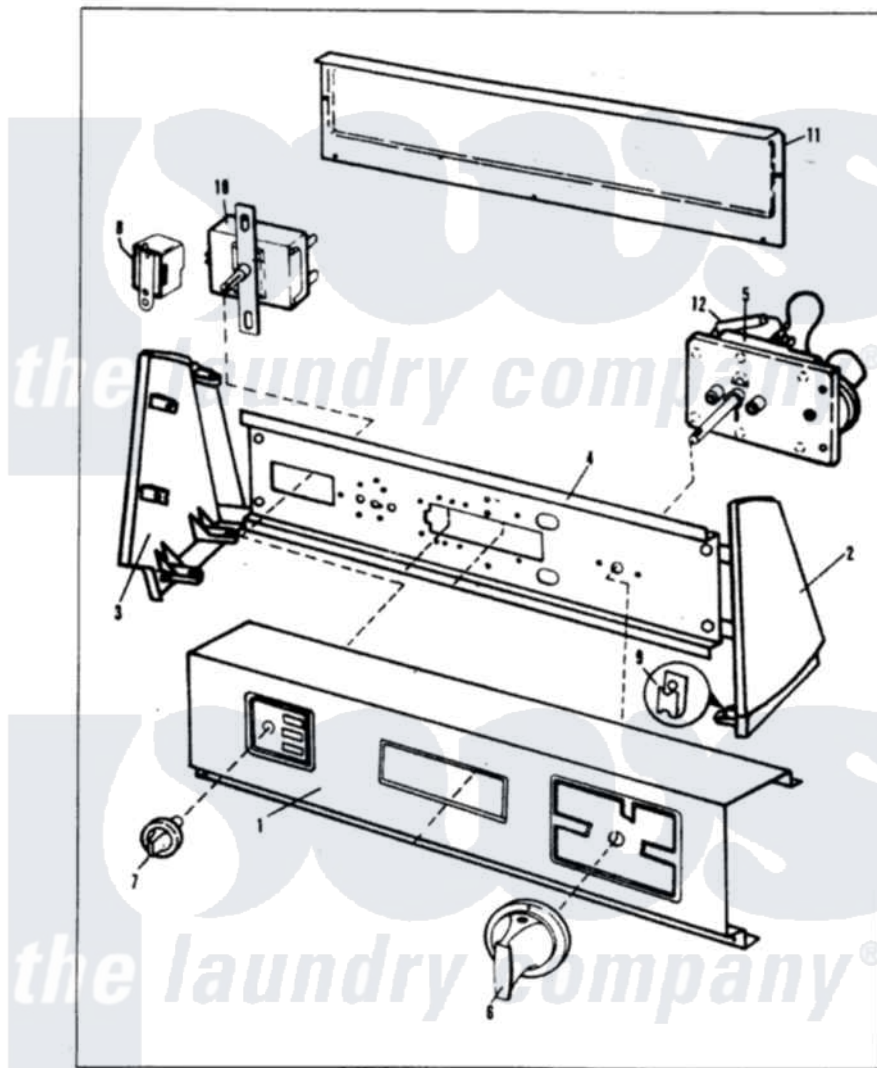


# Admiral DG18F2WN 01 - CONTROL PANEL

MASTER CARE DG18F2 BACKWARD



Issued 2/86

N-27-34

Admiral [Residential Admiral DG18F2WN Dryer Parts](#) Parts Diagram 01 - CONTROL PANEL  
 Click on the part number to view part

Item	Original Part Number	Replaced By	Status	Part Description
1	53-1015		Not Available	CONTROL PANEL
"	53-0824		Not Available	CONTROL PANEL
"	<a href="#">25-7702</a>			Speedclip, End Cap To Control Panel
"	<a href="#">25-7793</a>			Screw
2	<a href="#">53-0265</a>			LH Endcap
3	53-0280		Not Available	TRIM, END CAP (LT)
"	<a href="#">25-7760</a>			Screw
"	<a href="#">53-0264</a>			RH Endcap
"	53-0279		Not Available	TRIM, END CAP (RT)
4	25-3092	<a href="#">90767</a>		Screw, 8A X 3/8 HeX Washer Head Tapping
"	<a href="#">25-7702</a>			Speedclip, End Cap To Control Panel
"	53-0365	<a href="#">53-1676</a>		Shield, Control
5	53-0635		Not Available	TIMER MOTOR
"	53-0661		Not Available	TIMER

"	53-0379		Not Available	TIMER
6	<a href="#">25-6044</a>			Set Screw
"	53-0472		Not Available	TIMER KNOB
"	53-0670		Not Available	KNOB/SKIRT ASM
"	53-0729		Not Available	TIMER KNOB ASM
7	35-0316	<a href="#">21001283</a>		Knob, Selector---Piq
"	35-0167	<a href="#">21001283</a>		Knob, Selector---Piq
8	63-6731	<a href="#">53-1639</a>		Buzzer Assembly
"	25-3092	<a href="#">90767</a>		Screw, 8A X 3/8 HeX Washer Head Tapping
9	<a href="#">25-7702</a>			Speedclip, End Cap To Control Panel
10	<a href="#">53-0456</a>			Switch, Selector
"	25-3092	<a href="#">90767</a>		Screw, 8A X 3/8 HeX Washer Head Tapping
11	<a href="#">25-7851</a>			Speedclip, End Cap To Top
"	<a href="#">25-7852</a>			Speedclip, Rr Shld To End Cap
"	53-0268	<a href="#">21001460</a>		Shield, Rear
"	25-7697	<a href="#">25-2219</a>		Screw
"	25-7435	<a href="#">33002917</a>		Screw, No.10-16
"	<a href="#">25-3457</a>			Screw, Sems
"	25-3092	<a href="#">90767</a>		Screw, 8A X 3/8 HeX Washer Head Tapping
"	34-9487		Not Available	PLATE, REINFORCEMENT

