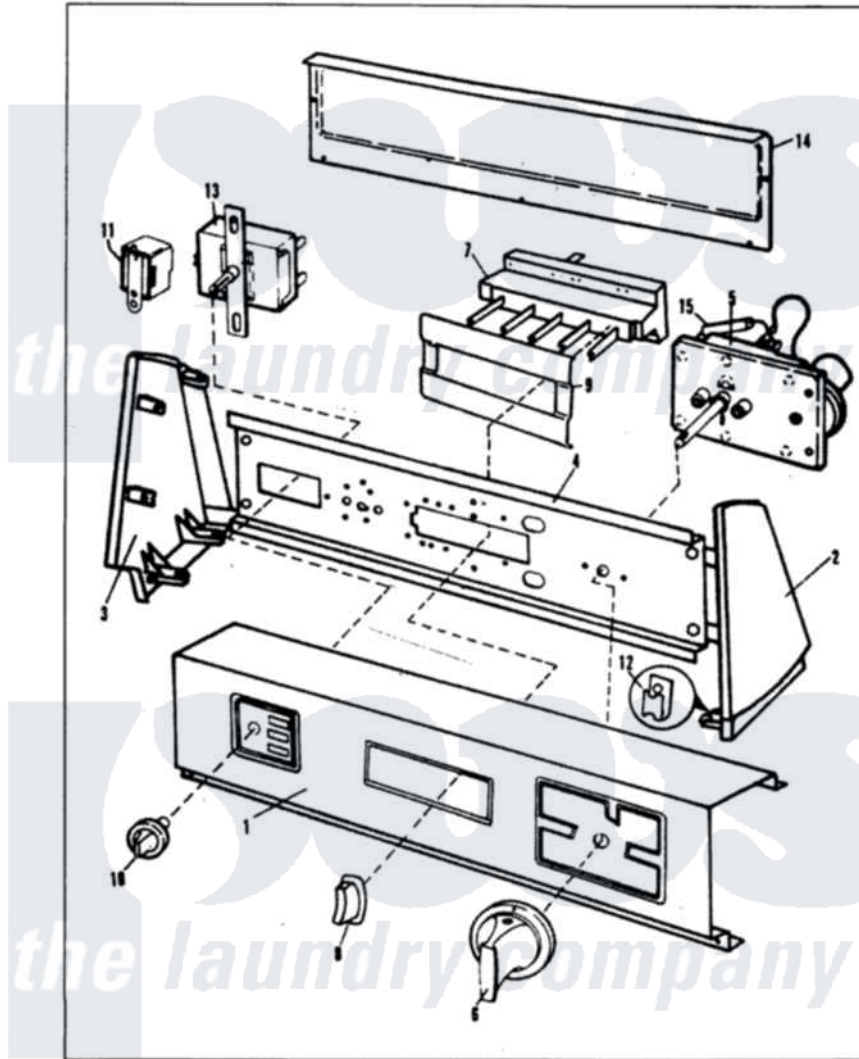


# Admiral DG20F8AM 02 - CONTROL PANEL (REV. J)

MASTER CASE

DG20F8

BACKGUARD



Issued 2/86

N-27-35

Admiral Residential Admiral DG20F8AM Dryer Parts Parts Diagram 02 - CONTROL PANEL (REV. J)  
 Click on the part number to view part

Item	Original Part Number	Replaced By	Status	Part Description
1	<a href="#">25-7793</a>			Screw
"	53-0826		Not Available	CONTROL PANEL
"	<a href="#">25-7702</a>			Speedclip, End Cap To Control Panel
2	<a href="#">53-0265</a>			LH Endcap
3	<a href="#">25-7760</a>			Screw
"	53-0236		Not Available	RH ENDCAP TRIM
"	53-0237		Not Available	LH ENDCAP TRIM
"	<a href="#">53-0264</a>			RH Endcap
4	53-0323		Not Available	CONTROL SHIELD
"	<a href="#">25-7702</a>			Speedclip, End Cap To Control Panel
"	25-3092	<a href="#">90767</a>		Screw, 8A X 3/8 HeX Washer Head Tapping
5	25-0088	<a href="#">489483</a>		Screw 10-32 X 1/2
"	63-5685	<a href="#">63-5613</a>		Timer
"	63-6690		Not Available	TIMER

6	53-0470	Not Available	TIMER KNOB
"	<a href="#">25-6044</a>		Set Screw
7	<a href="#">53-0459</a>		PB Switch
8	35-0170	Not Available	PUSHBUTTON
9	25-7712	Not Available	SCREW
"	33-6621	Not Available	BRACKET, SWITCH
10	33-0281	Not Available	SELECTOR KNOB
11	63-6731	<a href="#">53-1639</a>	Buzzer Assembly
"	25-3092	<a href="#">90767</a>	Screw, 8A X 3/8 HeX Washer Head Tapping
12	<a href="#">25-7702</a>		Speedclip, End Cap To Control Panel
13	25-3092	<a href="#">90767</a>	Screw, 8A X 3/8 HeX Washer Head Tapping
"	53-0394	<a href="#">53-1264</a>	Rotary Switch
14	25-3092	<a href="#">90767</a>	Screw, 8A X 3/8 HeX Washer Head Tapping
"	<a href="#">25-3457</a>		Screw, Sems
"	25-7435	<a href="#">33002917</a>	Screw, No.10-16
"	25-7697	<a href="#">25-2219</a>	Screw
"	<a href="#">25-7852</a>		Speedclip, Rr Shld To End Cap
"	34-9487	Not Available	PLATE, REINFORCEMENT
"	53-0268	<a href="#">21001460</a>	Shield, Rear
"	<a href="#">25-7851</a>		Speedclip, End Cap To Top

