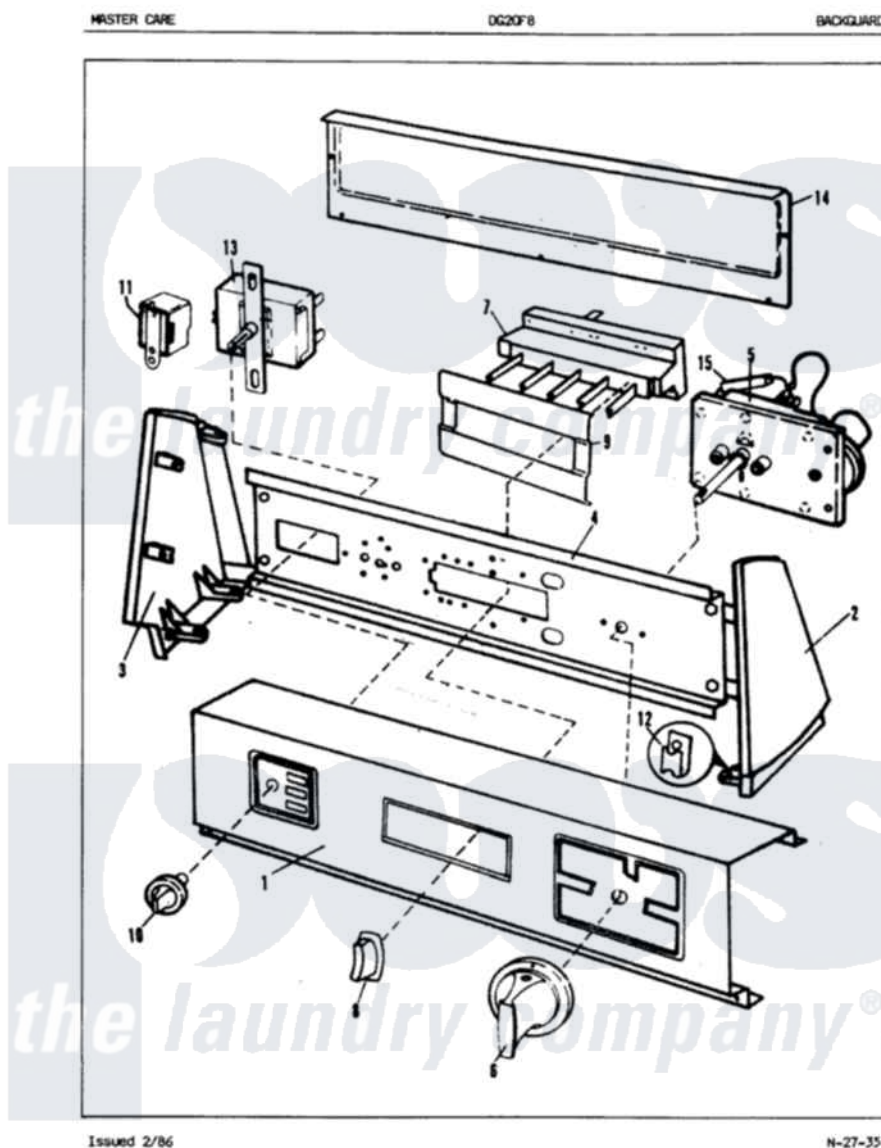


# Admiral DG20F8HW 01 - CONTROL PANEL (REV. A-H)



Admiral Residential Admiral DG20F8HW Dryer Parts Parts Diagram 01 - CONTROL PANEL (REV. A-H)  
 Click on the part number to view part

Item	Original Part Number	Replaced By	Status	Part Description
1	<a href="#">25-7702</a>			Speedclip, End Cap To Control Panel
"	53-1017		Not Available	CONTROL PANEL
"	53-0826		Not Available	CONTROL PANEL
"	<a href="#">25-7793</a>			Screw
2	<a href="#">53-0265</a>			LH Endcap
3	<a href="#">25-7760</a>			Screw
"	53-0236		Not Available	RH ENDCAP TRIM
"	53-0237		Not Available	LH ENDCAP TRIM
"	<a href="#">53-0264</a>			RH Endcap
4	<a href="#">25-7702</a>			Speedclip, End Cap To Control Panel
"	53-0323		Not Available	CONTROL SHIELD
"	25-3092	<a href="#">90767</a>		Screw, 8A X 3/8 HeX Washer Head Tapping
5	53-0546		Not Available	TIMER
"	63-5685	<a href="#">63-5613</a>		Timer

"	25-0088	<a href="#">489483</a>		Screw 10-32 X 1/2
"	63-6690		Not Available	TIMER
6	53-0470		Not Available	TIMER KNOB
"	53-0653	<a href="#">31001219</a>		Knob Ski
"	53-0654	<a href="#">31001219</a>		Knob Ski
"	<a href="#">25-6044</a>			Set Screw
7	<a href="#">53-0459</a>			PB Switch
8	35-0170		Not Available	PUSHBUTTON
"	<a href="#">35-0385</a>			Pushbutton
9	25-7712		Not Available	SCREW
"	33-6621		Not Available	BRACKET, SWITCH
10	33-0281		Not Available	SELECTOR KNOB
"	35-0168		Not Available	SELECTOR KNOB
11	63-6731	<a href="#">53-1639</a>		Buzzer Assembly
"	25-3092	<a href="#">90767</a>		Screw, 8A X 3/8 HeX Washer Head Tapping
12	<a href="#">25-7702</a>			Speedclip, End Cap To Control Panel
13	53-0394	<a href="#">53-1264</a>		Rotary Switch
"	53-0394	<a href="#">53-1264</a>		Rotary Switch
14	<a href="#">25-7851</a>			Speedclip, End Cap To Top
"	<a href="#">25-7852</a>			Speedclip, Rr Shld To End Cap
"	53-0268	<a href="#">21001460</a>		Shield, Rear
"	25-7697	<a href="#">25-2219</a>		Screw
"	25-7435	<a href="#">33002917</a>		Screw, No.10-16
"	<a href="#">25-3457</a>			Screw, Sems
"	25-3092	<a href="#">90767</a>		Screw, 8A X 3/8 HeX Washer Head Tapping
"	34-9487		Not Available	PLATE, REINFORCEMENT

