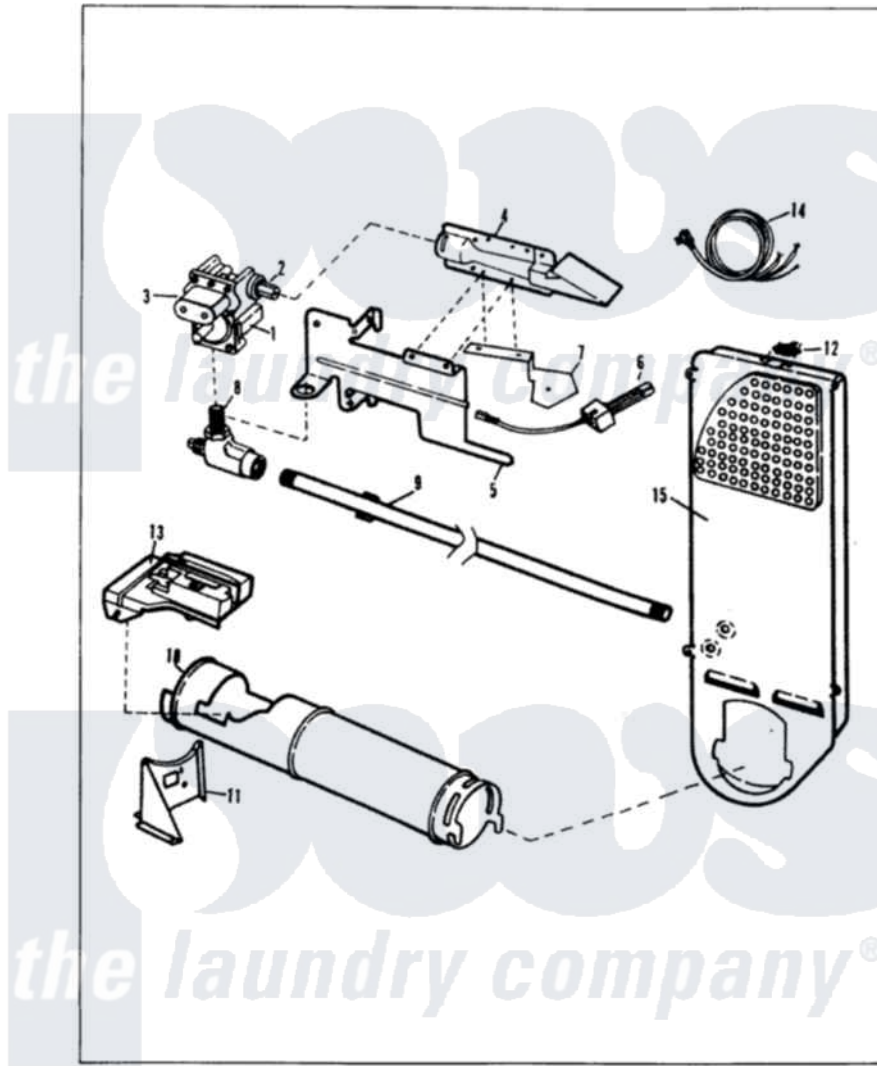


# Admiral DG20F8WW 08 - GAS CARRYING (REV. A-H)

MASTER CASE      DG20F8      GAS CARRYING



Issued 2/86

N-27-29

Admiral [Residential Admiral DG20F8WW Dryer Parts](#) Parts Diagram 08 - GAS CARRYING (REV. A-H)  
 Click on the part number to view part

Item	Original Part Number	Replaced By	Status	Part Description
1	53-0194	<a href="#">306176</a>		Valve, Gas
2	<a href="#">63-3570</a>			Burner Orifice
3	63-6615	<a href="#">279834</a>		Coil-Valve
"	63-6614	<a href="#">279834</a>		Coil-Valve
"	<a href="#">63-6766</a>			Conversion Kit
"	W10124350		Not Available	NOT REQUIRED PART OR SEE NOTE SCREW
4	63-6682	<a href="#">31001784</a>		Burner
5	25-7741	<a href="#">W10116760</a>		Screw
"	25-7741	<a href="#">W10116760</a>		Screw
"	<a href="#">53-0140</a>			Mtg Bracket
6	53-0689	<a href="#">31001556</a>		Igniter
7	25-7744	<a href="#">8281196</a>		Screw
"	53-0686		Not Available	BRACKET
8	53-0101	<a href="#">31001042</a>		Valve, Gas Shut Off
9	53-0173	<a href="#">31001777</a>		Main Gas L
"	25-7741	<a href="#">W10116760</a>		Screw

10	53-0138		Not Available	HEATER HOUSING
11	25-7741	<a href="#">W10116760</a>		Screw
"	25-3092	<a href="#">90767</a>		Screw, 8A X 3/8 HeX Washer Head Tapping
"	53-0139		Not Available	HEATER SUPPORT
12	53-0143	<a href="#">LA-1053</a>		Fuse Kit, Thermal
"	<a href="#">25-0168</a>			Screw
13	25-7741	<a href="#">W10116760</a>		Screw
"	63-5013	<a href="#">338906</a>		Radiant, Sensor
"	25-3092	<a href="#">90767</a>		Screw, 8A X 3/8 HeX Washer Head Tapping
"	25-2134	<a href="#">W10116760</a>		Screw
14	63-6259	<a href="#">31001547</a>		Cord, Power
15	53-0169		Not Available	INLET AIR DUCT

*the laundry company*<sup>®</sup>

**Howes**  
*the laundry company*<sup>®</sup>

**Howes**  
*the laundry company*<sup>®</sup>