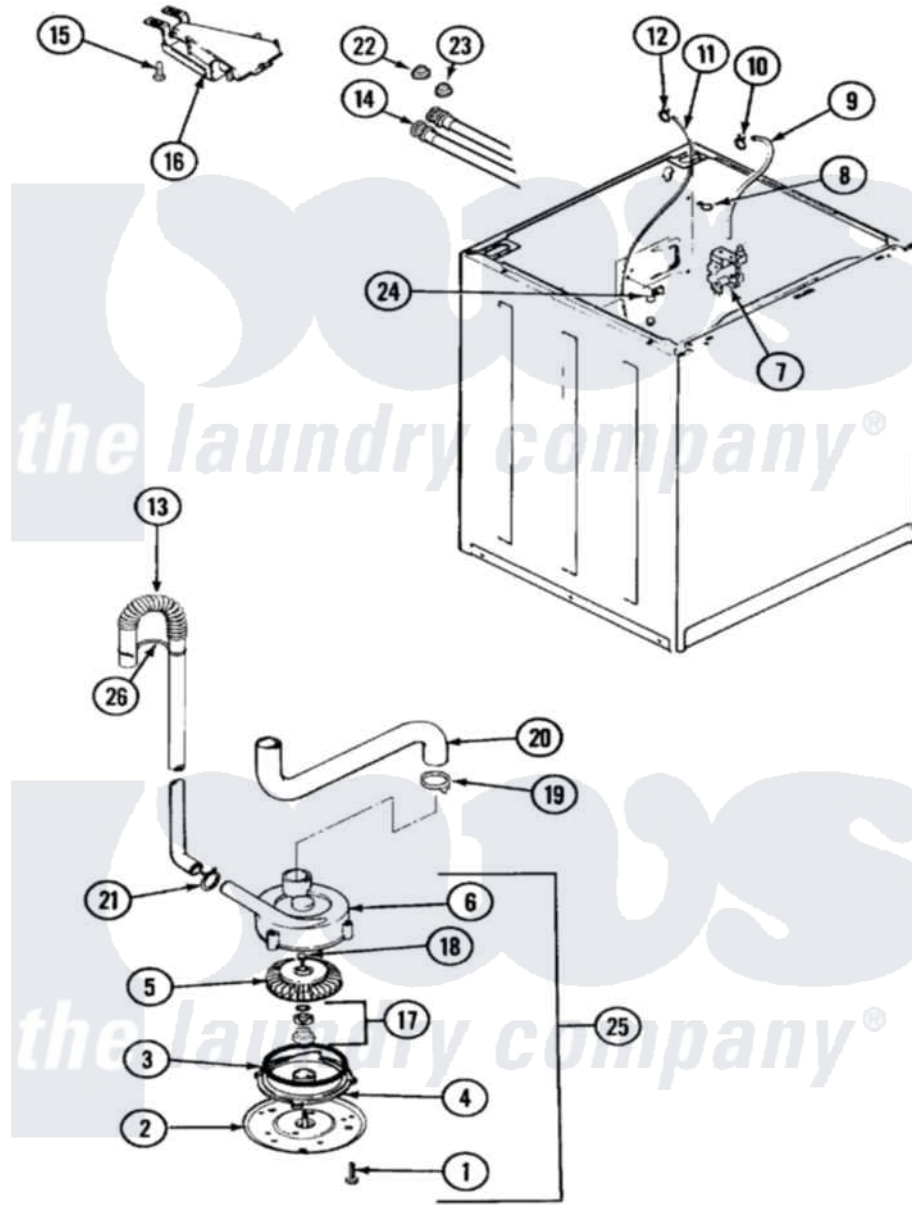


# Admiral LATA200AJE 03 - PUMP



Admiral [Residential Admiral LATA200AJE Washer Parts](#) Parts Diagram 03 - PUMP  
 Click on the part number to view part

Item	Original Part Number	Replaced By	Status	Part Description
1	25-7405	<a href="#">3196164</a>		Screw
2	33-6035		Not Available	PLATE & PULLEY ASSY.
3	<a href="#">33-6032</a>			Gasket
4	<a href="#">35-2058</a>			Base, Pump
5	35-2057	<a href="#">35-6465</a>		Pump Assem
6	35-2056		Not Available	HOUSING, PUMP
7	35-2374	<a href="#">35-2374N</a>		Valve, Water
"	<a href="#">25-7220</a>			Clip, Cabinet Top
8	25-7867	<a href="#">596669</a>		Clamp, Manifold
9	35-2378	<a href="#">12002749</a>		Hose, Flume Kit
10	25-7867	<a href="#">596669</a>		Clamp, Manifold
11	35-2261		Not Available	PAD, PRESSURE SWITCH HOSE
"	21001064	<a href="#">21001748</a>		Hose, Pressure Switch
12	25-7796	<a href="#">596669</a>		Clamp, Manifold
13	35-3538	<a href="#">21001872</a>		Hose, Drain
14	33-7891	<a href="#">89503</a>		Hose-Inlet

"	35-0874	<a href="#">76313</a>	Hosefill
15	25-3092	<a href="#">90767</a>	Screw, 8A X 3/8 HeX Washer Head Tapping
16	35-2051	<a href="#">21001760</a>	Flume Assembly / Water Diverter
17	<a href="#">35-0707</a>		Seal, Seat And "O" Ring
18	25-7894	<a href="#">W10001180</a>	Screw
19	25-6068	<a href="#">285655</a>	Clamp, Hose
20	35-3584	<a href="#">21001915</a>	Hose, Tub To Pump
21	25-7080	<a href="#">285655</a>	Clamp, Hose
22	<a href="#">25-7048</a>		Washer
23	<a href="#">33-4264N</a>		Strainer And Washer Kit
24	<a href="#">33-6099</a>		Clamp
25	35-2099	<a href="#">35-6465</a>	Pump Assem
"	<a href="#">35-2344</a>		Restrictor, Flow
26	33-9537	<a href="#">22003814</a>	Retainer, Drain Hose

