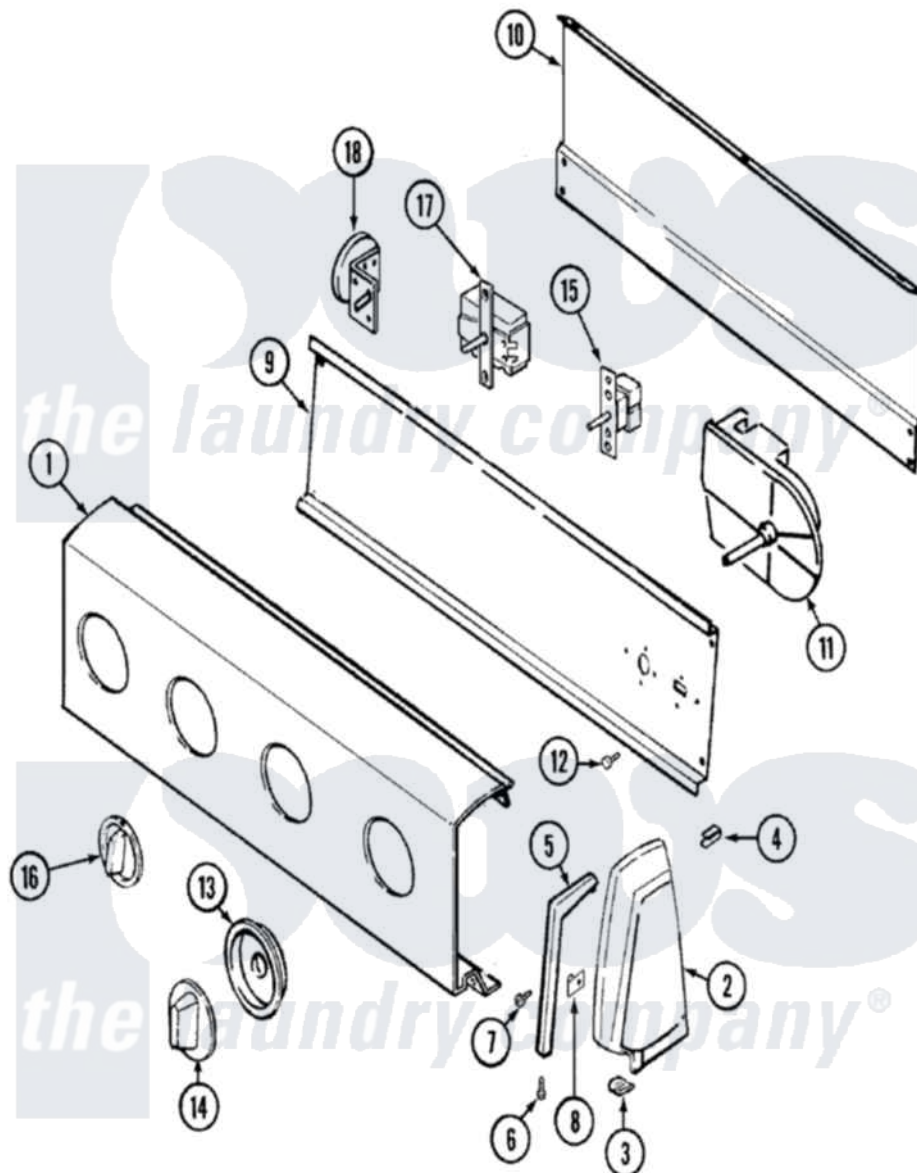


# Admiral LATA300AAE 02 - CONTROL PANEL



Admiral [Residential Admiral LATA300AAE Washer Parts](#) Parts Diagram 02 - CONTROL PANEL  
 Click on the part number to view part

Item	Original Part Number	Replaced By	Status	Part Description
1	<a href="#">25-7702</a>			Speedclip, End Cap To Control Panel
"	21001078		Not Available	PANEL, CONTROL
"	21001211		Not Available	PANEL, CONTROL
"	<a href="#">25-7793</a>			Screw
2	35-2668	<a href="#">21001453</a>		Cap- End
"	35-2669		Not Available	CAP, END (LT)(WHT)
3	25-7697	<a href="#">25-2219</a>		Screw
"	<a href="#">25-7851</a>			Speedclip, End Cap To Top
4	<a href="#">25-7852</a>			Speedclip, Rr Shld To End Cap
"	25-7435	<a href="#">33002917</a>		Screw, No.10-16
5	31001055		Not Available	TRIM, ENDCAP (LT WHT)
"	31001054		Not Available	TRIM, ENDCAP (RT WHT)
6	<a href="#">25-7760</a>			Screw
7	25-3092	<a href="#">90767</a>		Screw, 8A X 3/8 HeX Washer Head Tapping

8	<a href="#">25-7702</a>		Speedclip, End Cap To Control Panel
9	<a href="#">53-1676</a>		Shield, Control
"	31001128	Not Available	SHIELD, CONTROL
"	53-2504	<a href="#">31001193</a>	Pad, Shield
10	25-3092	<a href="#">90767</a>	Screw, 8A X 3/8 HeX Washer Head Tapping
"	35-2688	<a href="#">21001460</a>	Shield, Rear
"	25-7853	<a href="#">25-7933</a>	Ring, Retaining
"	<a href="#">25-3457</a>		Screw, Sems
11	<a href="#">21001342</a>		Timer
"	<a href="#">35-3841</a>		Timer
12	25-0205	<a href="#">216412</a>	Screw, Bracket To Timer
13	21001238	<a href="#">21001502</a>	Skirt Ri
"	35-3916	Not Available	SKIRT & RING ASSY (WHT)
14	<a href="#">21001237</a>		Knob, Timer
"	35-2672	<a href="#">21001237</a>	Knob, Timer
15	<a href="#">21001226</a>		Switch, Water Temp. 4 Position
"	25-3092	<a href="#">90767</a>	Screw, 8A X 3/8 HeX Washer Head Tapping
"	<a href="#">35-3855</a>		Switch, Temp
16	35-2673	<a href="#">21001239</a>	Knob, Selector
"	<a href="#">21001239</a>		Knob, Selector
17	21001173	<a href="#">21001687</a>	Switch, Speed
"	25-3092	<a href="#">90767</a>	Screw, 8A X 3/8 HeX Washer Head Tapping
"	<a href="#">35-3208</a>		Switch, Speed
18	35-3691	<a href="#">21001554</a>	Switch, Water Level
"	25-3092	<a href="#">90767</a>	Screw, 8A X 3/8 HeX Washer Head Tapping
19	21001122	Not Available	MANUAL, USE & CARE
"	21001033	Not Available	MANUAL, USE & CARE
20	16002079	Not Available	GUIDE, QUICK REF - ADMIRAL

