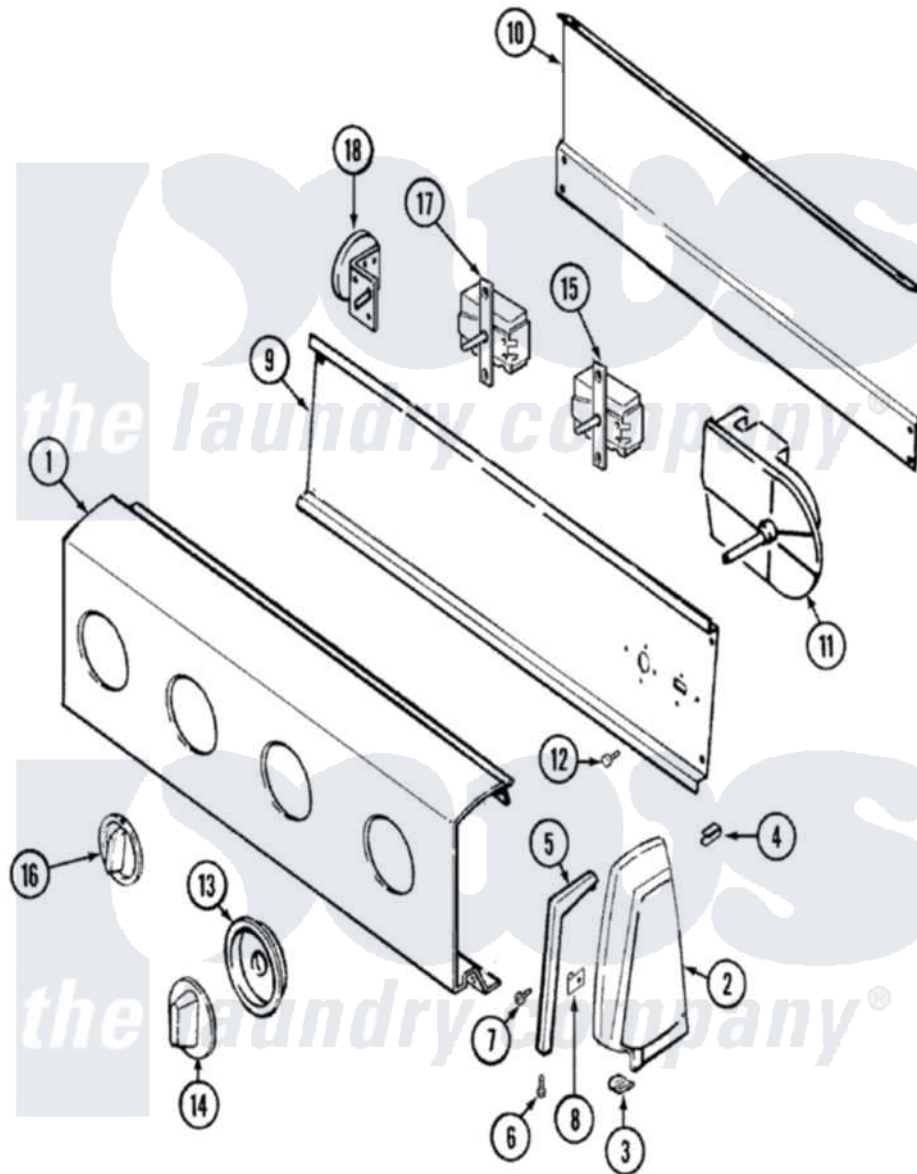


# Admiral LATA400AAW 02 - CONTROL PANEL



Admiral [Residential Admiral LATA400AAW Washer Parts](#) Parts Diagram 02 - CONTROL PANEL  
 Click on the part number to view part

Item	Original Part Number	Replaced By	Status	Part Description
1	<a href="#">25-7702</a>			Speedclip, End Cap To Control Panel
"	<a href="#">25-7793</a>			Screw
"	35-3875		Not Available	CONTROL PANEL
2	35-2487	<a href="#">21001451</a>		Cap- End
"	35-2488	<a href="#">21001452</a>		Cap- End
3	<a href="#">25-7851</a>			Speedclip, End Cap To Top
"	25-7697	<a href="#">25-2219</a>		Screw
4	25-7435	<a href="#">33002917</a>		Screw, No.10-16
"	<a href="#">25-7852</a>			Speedclip, Rr Shld To End Cap
5	53-0277		Not Available	TRIM, END CAP (RT)
"	53-0278		Not Available	TRIM, END CAP (LT)
6	<a href="#">25-7760</a>			Screw
7	25-3092	<a href="#">90767</a>		Screw, 8A X 3/8 HeX Washer Head Tapping
8	<a href="#">25-7702</a>			Speedclip, End Cap To Control Panel

9	<a href="#">53-1676</a>		Shield, Control
"	53-2504	<a href="#">31001193</a>	Pad, Shield
10	25-3092	<a href="#">90767</a>	Screw, 8A X 3/8 HeX Washer Head Tapping
"	<a href="#">25-3457</a>		Screw, Sems
"	25-7853	<a href="#">25-7933</a>	Ring, Retaining
"	35-2688	<a href="#">21001460</a>	Shield, Rear
11	<a href="#">35-3838</a>		Timer
12	25-0205	<a href="#">216412</a>	Screw, Bracket To Timer
13	35-2255	<a href="#">21001497</a>	Skirt Ri
14	35-2486	<a href="#">12500058</a>	Knob Ski
15	25-3092	<a href="#">90767</a>	Screw, 8A X 3/8 HeX Washer Head Tapping
"	<a href="#">35-2839</a>		Switch
16	35-2185	<a href="#">21001283</a>	Knob, Selector---Piq
17	25-3092	<a href="#">90767</a>	Screw, 8A X 3/8 HeX Washer Head Tapping
"	35-2193	Not Available	SWITCH, ROTARY SPEED
18	35-3283	<a href="#">21001554</a>	Switch, Water Level
"	25-3092	<a href="#">90767</a>	Screw, 8A X 3/8 HeX Washer Head Tapping
19	35-3879	Not Available	MANUAL, USE & CARE
"	21001033	Not Available	MANUAL, USE & CARE
20	16002079	Not Available	GUIDE, QUICK REF - ADMIRAL

*the laundry company*<sup>®</sup>

*the laundry company*<sup>®</sup>