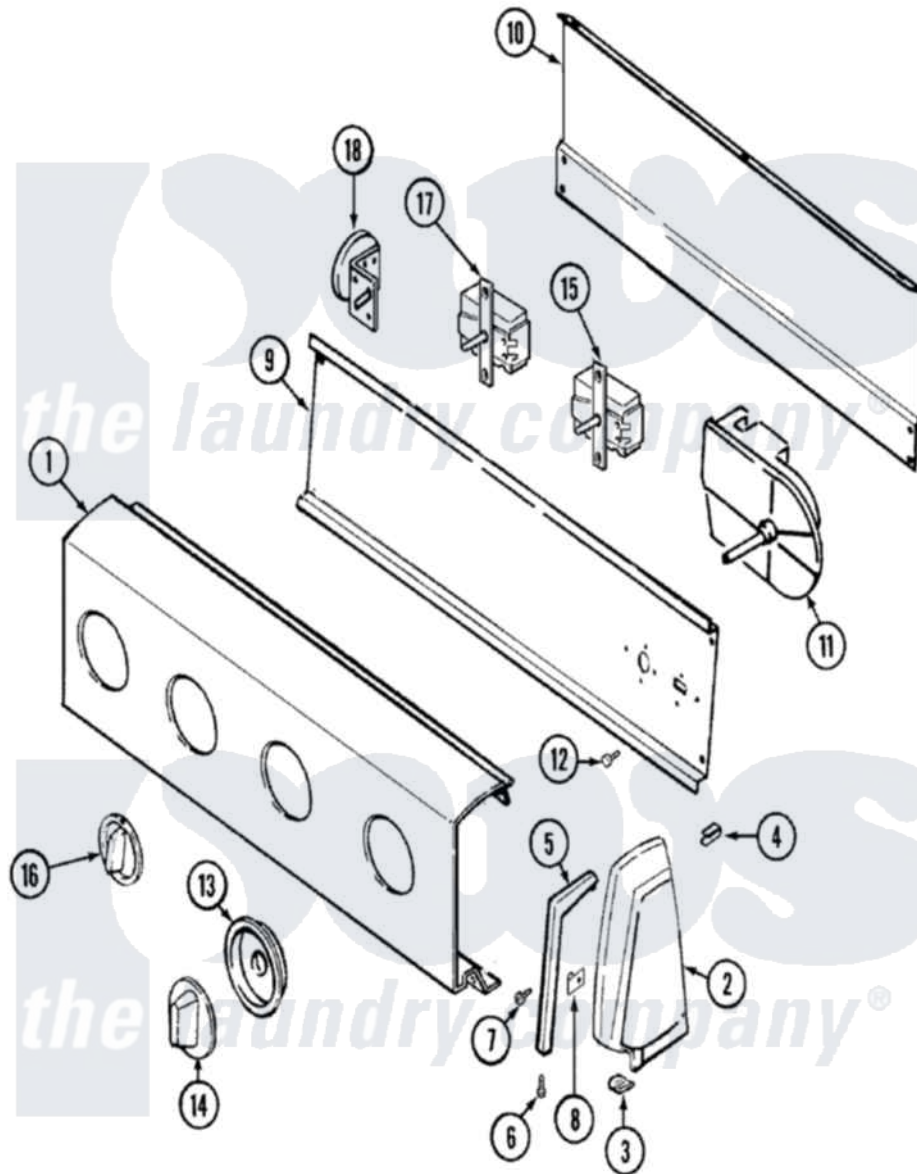


# Admiral LATA400AKE 02 - CONTROL PANEL (LATA400AKE)



Admiral [Residential Admiral LATA400AKE Washer Parts](#) Parts Diagram 02 - CONTROL PANEL (LATA400AKE)  
 Click on the part number to view part

Item	Original Part Number	Replaced By	Status	Part Description
1	<a href="#">25-7702</a>			Speedclip, End Cap To Control Panel
"	35-4152		Not Available	PANEL CONTROL
"	<a href="#">25-7793</a>			Screw
2	35-2668	<a href="#">21001453</a>		Cap- End
"	35-2669		Not Available	CAP, END (LT)(WHT)
3	<a href="#">25-7851</a>			Speedclip, End Cap To Top
"	25-7697	<a href="#">25-2219</a>		Screw
"	34-9487		Not Available	PLATE, REINFORCEMENT
4	25-7435	<a href="#">33002917</a>		Screw, No.10-16
"	<a href="#">25-7852</a>			Speedclip, Rr Shld To End Cap
5	53-0277		Not Available	TRIM, END CAP (RT)
"	53-0278		Not Available	TRIM, END CAP (LT)
6	<a href="#">25-7760</a>			Screw
7	25-3092	<a href="#">90767</a>		Screw, 8A X 3/8 HeX Washer Head Tapping

8	<a href="#">25-7702</a>		Speedclip, End Cap To Control Panel
9	<a href="#">53-1676</a>		Shield, Control
"	53-2504	<a href="#">31001193</a>	Pad, Shield
10	25-3092	<a href="#">90767</a>	Screw, 8A X 3/8 HeX Washer Head Tapping
"	<a href="#">25-3457</a>		Screw, Sems
"	25-7853	<a href="#">25-7933</a>	Ring, Retaining
"	35-2688	<a href="#">21001460</a>	Shield, Rear
11	<a href="#">35-4130</a>		Timer
12	25-0205	<a href="#">216412</a>	Screw, Bracket To Timer
13	35-3916		Not Available SKIRT & RING ASSY (WHT)
14	35-2672	<a href="#">21001237</a>	Knob, Timer
15	25-3092	<a href="#">90767</a>	Screw, 8A X 3/8 HeX Washer Head Tapping
"	<a href="#">35-2839</a>		Switch
16	35-2673	<a href="#">21001239</a>	Knob, Selector
17	25-3092	<a href="#">90767</a>	Screw, 8A X 3/8 HeX Washer Head Tapping
"	35-2193		Not Available SWITCH, ROTARY SPEED
18	35-3691	<a href="#">21001554</a>	Switch, Water Level
"	25-3092	<a href="#">90767</a>	Screw, 8A X 3/8 HeX Washer Head Tapping
19	16002079		Not Available GUIDE, QUICK REF - ADMIRAL
"	21001033		Not Available MANUAL, USE & CARE
"	<a href="#">21001032</a>		Manual, Use And Care

*the laundry company®*

*the laundry company®*